

DXS-65



Supervised Emergency Alarm Transmitter

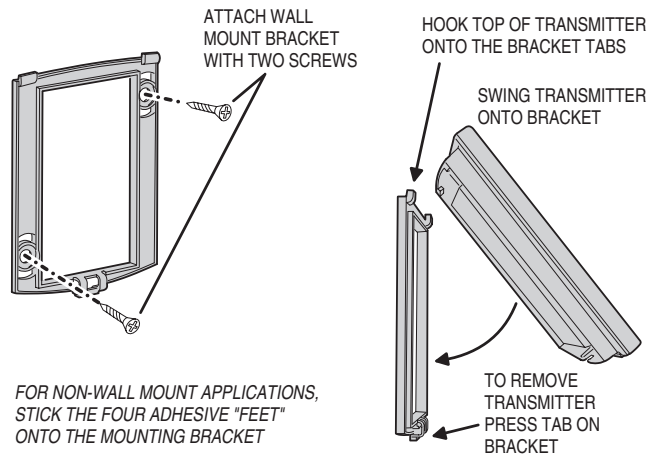
Installation Instructions



Linear
Building On Innovation.

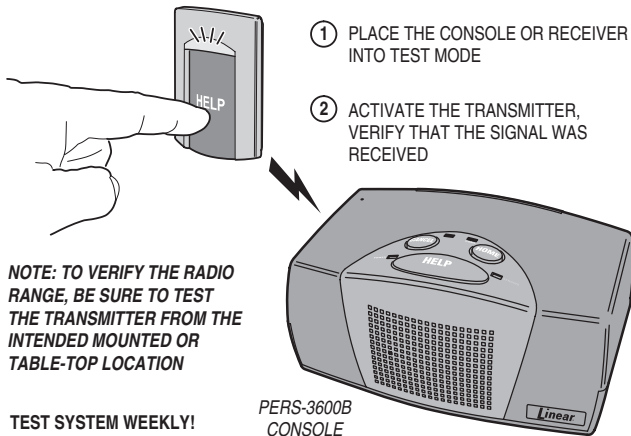
USA & Canada (800) 421-1587 & (800) 392-0123
(760) 438-7000 - Toll Free FAX (800) 468-1340
www.linearcorp.com

3. OPTIONAL WALL MOUNTING



FOR NON-WALL MOUNT APPLICATIONS, STICK THE FOUR ADHESIVE "FEET" ONTO THE MOUNTING BRACKET

6. TESTING TRANSMITTER



NOTE: TO VERIFY THE RADIO RANGE, BE SURE TO TEST THE TRANSMITTER FROM THE INTENDED MOUNTED OR TABLE-TOP LOCATION

TEST SYSTEM WEEKLY!

PERS-3600B
CONSOLE

1. PRODUCT DESCRIPTION

The Model DXS-65 is a supervised water-resistant emergency alarm transmitter designed for use with Linear's PERS Consoles and can also be used with other Linear DX or DXS format receivers. This transmitter features a large, easy to find, HELP button. An optional blank face aqua colored button is included for custom labeling or alternate uses. Pressing the button activates the transmitter and sends a digitally coded wireless signal to its companion receiver. **To insure sending a complete signal, press the transmitter button for a minimum of two seconds.**

The transmitter can be wall mounted using the integral snap-on mounting bracket, or simply be placed on a table. Four rubber "feet" are supplied for table-top use. The DXS-65 is factory set to a unique code, so no field coding is required. The transmitter can send a signal for up to 10 seconds per activation. The red operation indicator lights when the transmitter is activated.

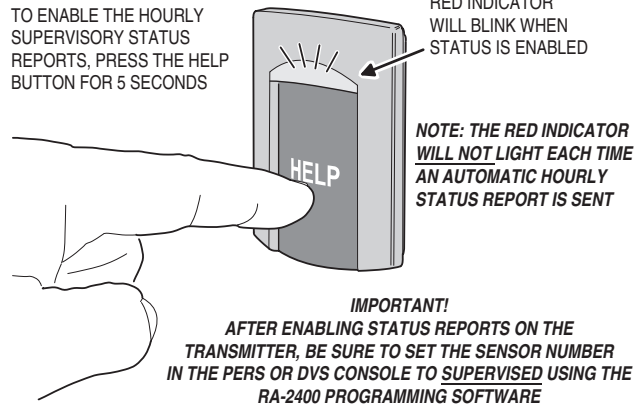
An optional supervisory status timer is included in the DXS-65. Status transmissions occur every two hours and inform the receiver of the condition of the transmitter and its batteries. The factory setting has the status timer disabled. The status timer can be enabled by pressing the HELP button continuously for five seconds. The red operation indicator will blink as the status timer is enabled. The status timer can be disabled by removing the power from the transmitter. **NOTE: If the status timer is required for the installation, be sure to enable it after replacing the transmitter's batteries.**

Every two hours the transmitter tests for low batteries. This test takes place even if the status transmissions have not been enabled. If the batteries test low, a low battery signal is sent to the receiver.

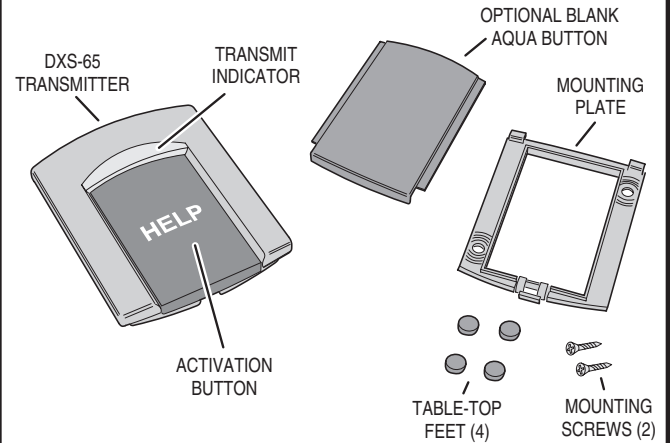
Each transmitter is sealed to provide water-resistance. The transmitter is powered by two 2032 "coin-cell" batteries and must be disassembled to replace the batteries.

Before system testing and operation, each transmitter must be programmed into its receiver. Refer to the receiver's or Console's instructions for details on programming transmitters into the system. **When using a PERS or DVS Console, be sure to program the receiver for the correct sensor type and supervision option using the RA-2400 programming software.** (Note: DVS Consoles default the DXS-65 as an arm/disarm transmitter.)

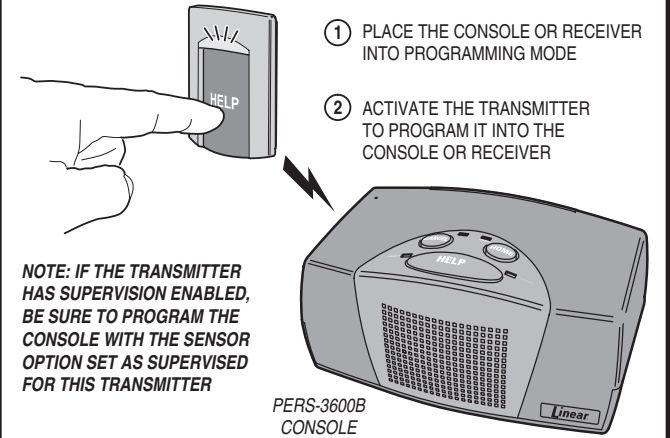
4. STATUS SUPERVISION OPTION



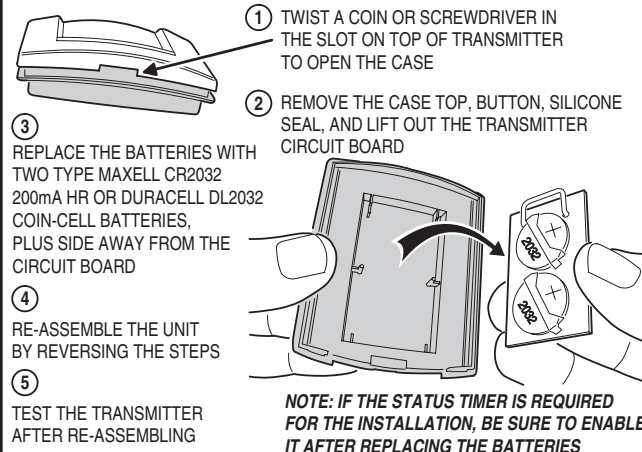
2. FEATURES



5. PROGRAM TRANSMITTER INTO RECEIVER



7. BATTERY REPLACEMENT OR BUTTON EXCHANGING



LINEAR LIMITED WARRANTY

This Linear product is warranted against defects in material and workmanship for twelve (12) months. **This warranty extends only to wholesale customers** who buy direct from Linear or through Linear's normal distribution channels. Linear does not warrant this product to consumers. Consumers should inquire from their selling dealer as to the nature of the dealer's warranty, if any. **There are no obligations or liabilities on the part of Linear LLC for consequential damages arising out of or in connection with use or performance of this product or other indirect damages with respect to loss of property, revenue, or profit, or cost of removal, installation, or reinstallation.** All implied warranties, including implied warranties for merchantability and implied warranties for fitness, are valid only until the warranty expires. **This Linear LLC Warranty is in lieu of all other warranties express or implied.**

All products returned for warranty service require a Return Product Authorization Number (RPA#). Contact Linear Technical Services at 1-800-421-1587 for an RPA# and other important details.

IMPORTANT !!!

Linear radio controls provide a reliable communications link and fill an important need in portable wireless signaling. However, there are some limitations which must be observed.

- For U.S. installations only: The radios are required to comply with FCC Rules and Regulations as Part 15 devices. As such, they have limited transmitter power and therefore limited range.
- A receiver cannot respond to more than one transmitted signal at a time and may be blocked by radio signals that occur on or near their operating frequencies, regardless of code settings.
- Changes or modifications to the device may void FCC compliance.
- Infrequently used radio links should be tested regularly to protect against undetected interference or fault.
- A general knowledge of radio and its vagaries should be gained prior to acting as a wholesale distributor or dealer, and these facts should be communicated to the ultimate users.

Free Manuals Download Website

<http://myh66.com>

<http://usermanuals.us>

<http://www.somanuals.com>

<http://www.4manuals.cc>

<http://www.manual-lib.com>

<http://www.404manual.com>

<http://www.luxmanual.com>

<http://aubethermostatmanual.com>

Golf course search by state

<http://golfingnear.com>

Email search by domain

<http://emailbydomain.com>

Auto manuals search

<http://auto.somanuals.com>

TV manuals search

<http://tv.somanuals.com>