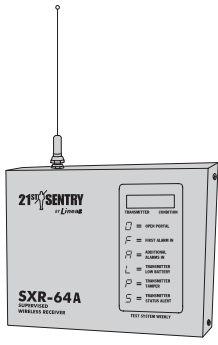


SXR-64A

Supervised Wireless Receiver and Zone Expander



Installation Instructions

Linear

(760) 438-7000 • FAX (760) 438-7043
USA & Canada (800) 421-1587 & (800) 392-0123
Toll Free FAX (800) 468-1340
www.linearcorp.com

INTRODUCTION

The Model SXR-64A is a 64-channel, 12-zone, supervised wireless receiver/annunciator designed for use in residential or commercial security systems. Housed in a rugged metal enclosure, the SXR-64A connects to a hardwired alarm control panel adding wireless capability to the panel.

The SXR-64A receives signals from a variety of security transmitters then processes, displays and transfers the signal to the hardwired alarm control panel. Six unique conditions for each transmitter channel can be shown on the unit's display. Conditions such as "Open Portal", "Transmitter Low Battery", "Transmitter Tamper" and "First Alarm In" show the status of each transmitter in the system. Valuable features such as *Alarm Memory* and *Transmitter Status* allow for quick system diagnosis and troubleshooting.

The receiver's eight alarm zones and four supervisory zones provide a flexible interface to the alarm control panel. Any or all of the zones can be used. All of the solid state zone outputs can be either normally open or normally closed electrical configuration and can switch up to 100 mA @ 24 VDC.

An easy programming interface using four pushbuttons lets the installer quickly setup the system. The UP, DOWN, ADVANCE and MEMORY buttons are located inside the receiver case and are used for transmitter and system programming.

An on-board, high-gain, superheterodyne radio receiver gives the SXR-64A excellent reception. The MODE indicator shows RF activity. The local whip antenna (supplied) or remote external antenna (Model EXA-1000) connects to the receiver through a standard type "F" connector.

The SXR-64A decodes Linear's SX, S1, and MegaCode™ format transmitters. The SXR-64A can be used as a direct replacement for Linear's SS-32, SSR-32, & SXR-64 receivers with an installation bonus of being able to use up to 64 transmitters in the system.

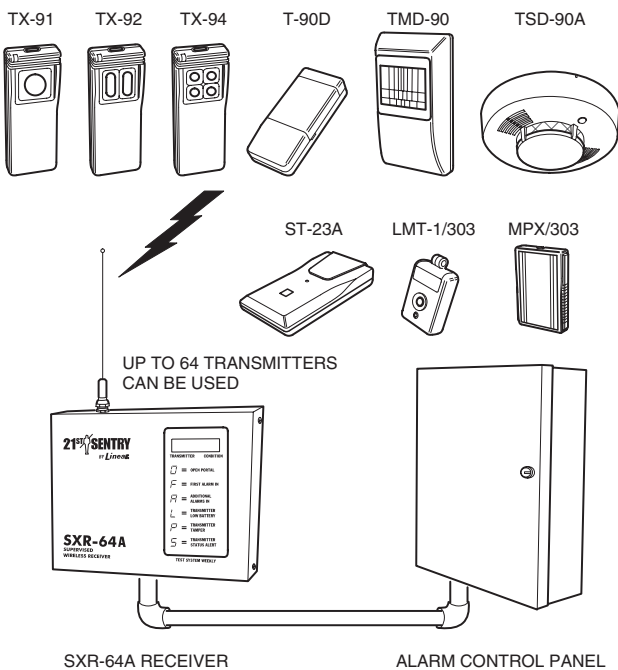
Power for the SXR-64A is provided from the alarm control panel. To control the alarm memory, reset tamper and status alert conditions, an armed input on the receiver connects to an armed output from the control panel.

FEATURES

- * 64 Programmable Transmitter Channels
- * 8 Alarm Zones
- * 4 Supervisory Zones
- * Rugged Metal Enclosure
- * Six Condition Displays for Each Transmitter
- * Alarm Memory with First-Alarm-In
- * Automatic Supervised Operation
- * Transmitter Contact State Monitoring
- * Transmitter Tamper Monitoring
- * Transmitter Low Battery Monitoring
- * Transmitter Status Report Monitoring
- * Easy Installer Programming Interface
- * High-gain Superheterodyne Receiver
- * Receiver Automatic Gain Control
- * Antenna Connector
- * Decodes 303.875 MHz SX, S1, & MegaCode™ Format Transmitters
- * Optional Display Blanking while Armed
- * RF Activity Indicator
- * Positive or Negative Armed Input

SYSTEM OVERVIEW

TYPICAL TRANSMITTERS

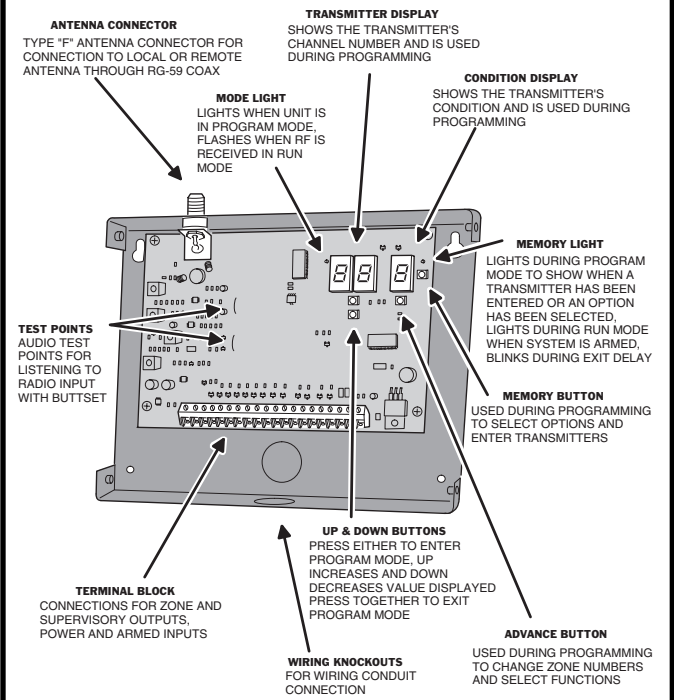


CONDITION DISPLAYS

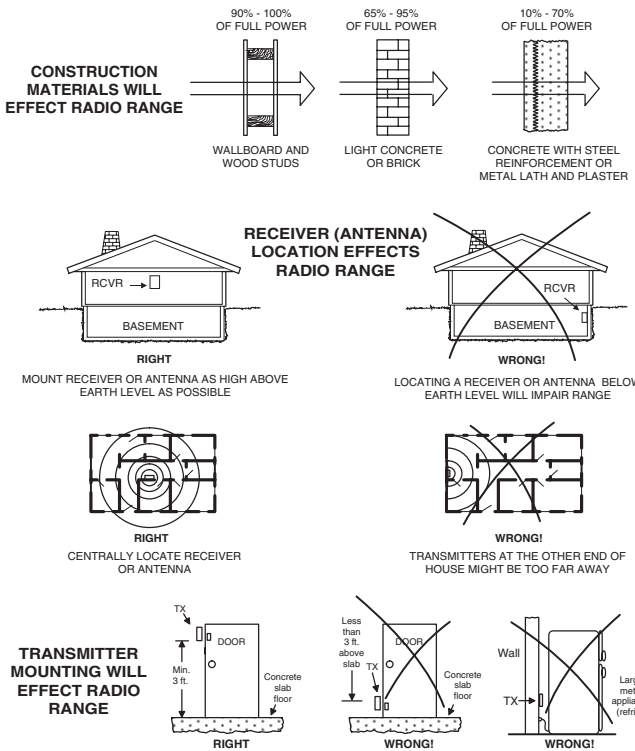
CONDITIONS FOR ALL TRANSMITTERS ROTATE ON THE DISPLAY

- O = OPEN PORTAL**
ALL TRANSMITTERS WILL CAUSE THIS CONDITION WHEN AN ALARM SIGNAL IS SENT. THE CONDITION WILL REMAIN UNTIL A RESTORE SIGNAL IS SENT, UNLESS THE TRANSMITTER IS SET AS "AUTO RESTORE". THE CHANNEL'S ZONE OUTPUT WILL BE FAULTED WHEN THIS CONDITION IS DISPLAYED.
- F = FIRST ALARM IN**
WHEN THE PANEL IS ARMED, THE FIRST ALARM SIGNAL SENT WILL CAUSE THIS CONDITION. IF THE CHANNEL IS SET AS "DELAYED", THIS CONDITION WILL OCCUR AFTER ANY DELAYS IF THE PANEL IS NOT DISARMED. DISPLAY WILL CLEAR THE NEXT TIME THE PANEL IS RE-ARMED.
- A = ADDITIONAL ALARMS IN**
WHEN THE PANEL IS ARMED, ADDITIONAL ALARM SIGNALS SENT WILL CAUSE THIS CONDITION. IF THE CHANNEL IS SET AS "DELAYED", THIS CONDITION WILL OCCUR AFTER ANY DELAYS IF THE PANEL IS NOT DISARMED. DISPLAY WILL CLEAR THE NEXT TIME THE PANEL IS RE-ARMED.
- L = TRANSMITTER LOW BATTERY**
ANY TRANSMITTER THAT CAN SEND A LOW BATTERY SIGNAL WILL CAUSE THIS CONDITION WHEN ITS BATTERY IS LOW. DISPLAY WILL REMAIN UNTIL A SIGNAL FROM THE SAME TRANSMITTER WITH A GOOD BATTERY IS SENT.
- T = TRANSMITTER TAMPER**
ANY TRANSMITTER THAT CAN SEND A TAMPER SIGNAL WILL CAUSE THIS CONDITION WHEN IT IS TAMPERED. DISPLAY WILL CLEAR THE NEXT TIME THE PANEL IS ARMED.
- S = TRANSMITTER STATUS ALERT**
IF THE RECEIVER DOES NOT RECEIVE STATUS SIGNALS FROM A TRANSMITTER THAT IS SET AS SUPERVISED, THIS CONDITION WILL BE DISPLAYED. THE RECEIVER CAN BE SET FOR TWO OR EIGHT HOURS OF MISSING STATUS TRANSMISSIONS BEFORE THE CONDITION OCCURS. DISPLAY WILL CLEAR THE NEXT TIME THE PANEL IS ARMED.

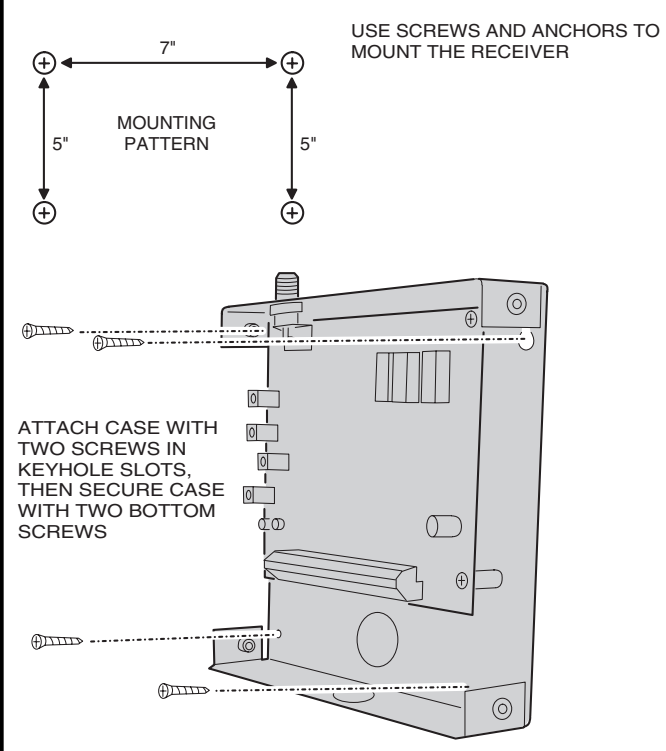
COMPONENT LOCATIONS



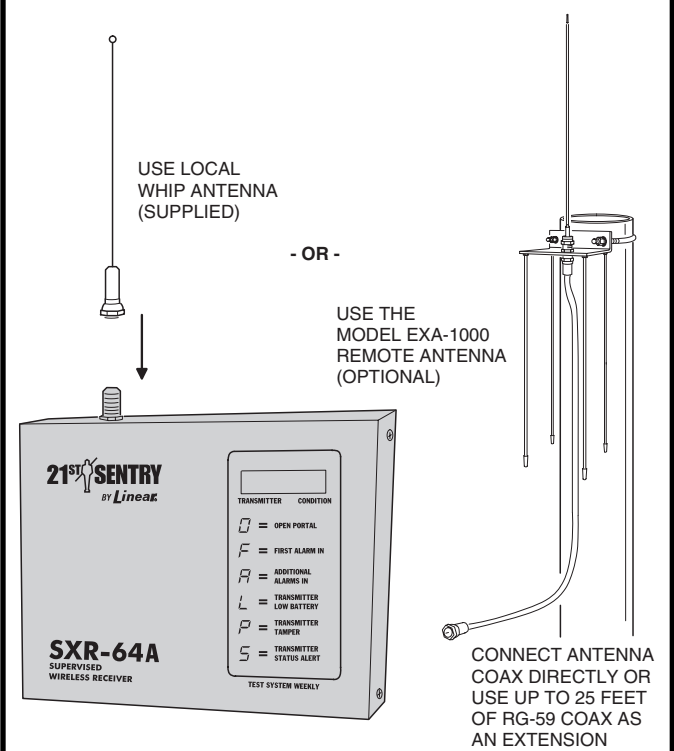
INSTALLATION TIPS



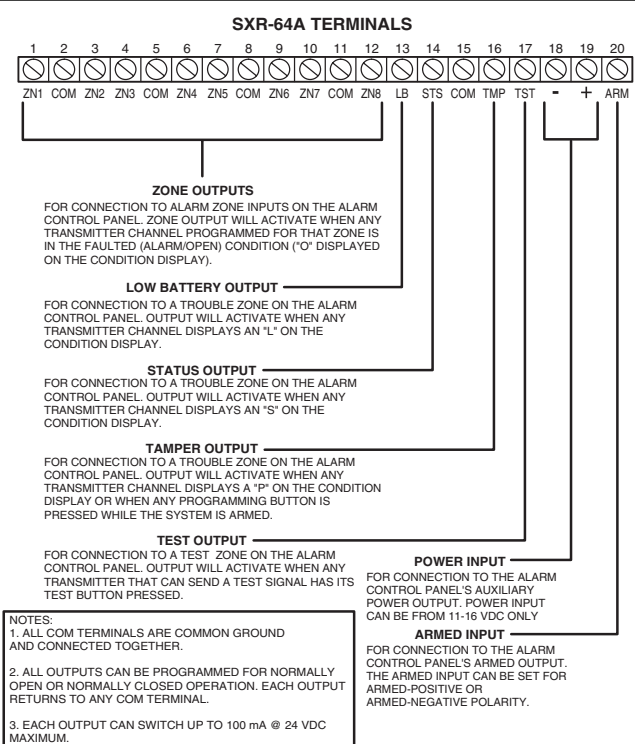
MOUNTING UNIT



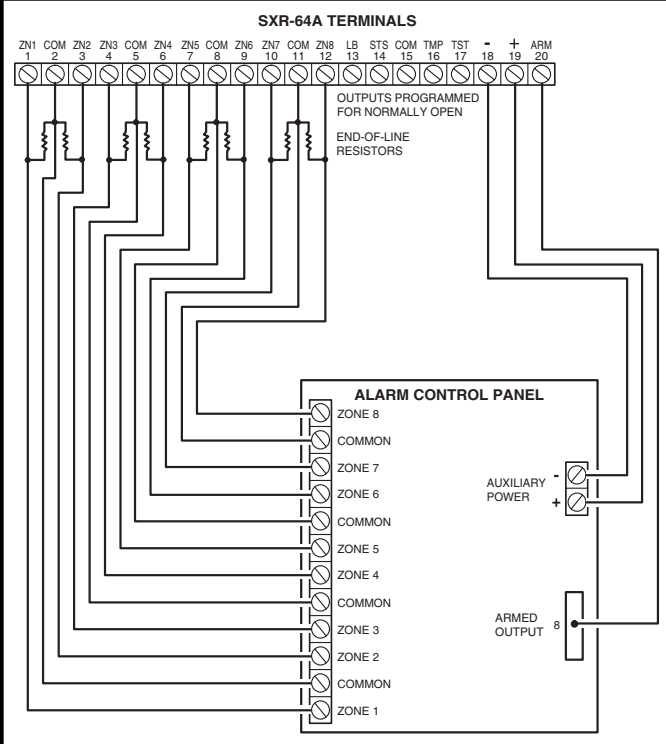
ANTENNA INSTALLATION



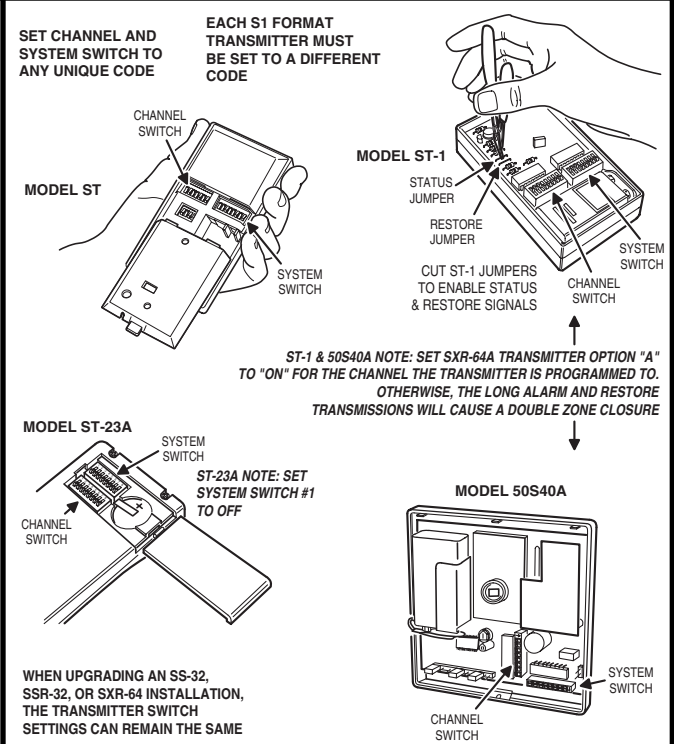
TERMINAL BLOCK DETAILS



TYPICAL CONTROL PANEL CONNECTION

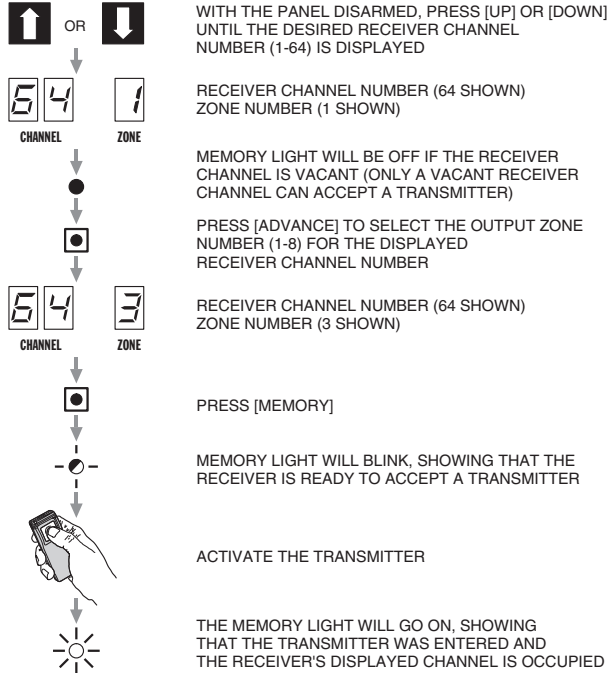


S1 FORMAT TRANSMITTER DETAILS



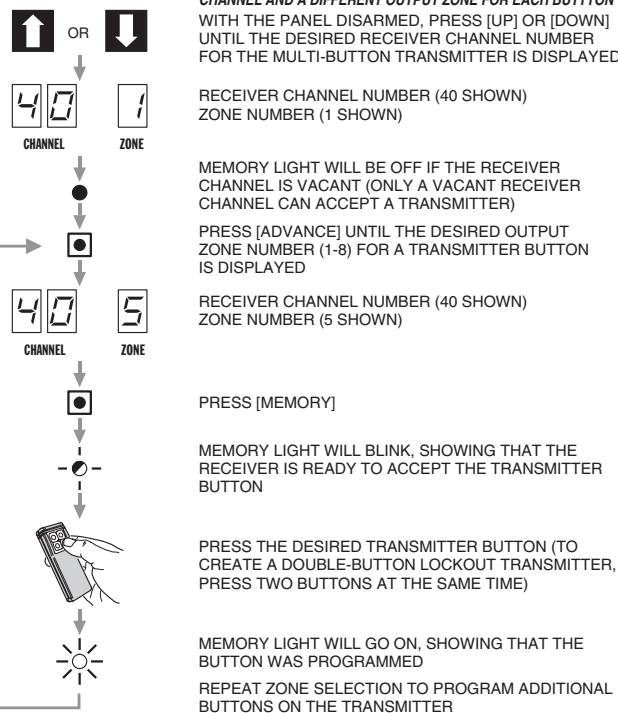
ENTERING SINGLE-CHANNEL TRANSMITTERS

NOTE: ARMING THE CONTROL PANEL ANYTIME DURING PROGRAMMING WILL CAUSE THE SXR-64A TO EXIT PROGRAM MODE AND RETURN TO RUN MODE

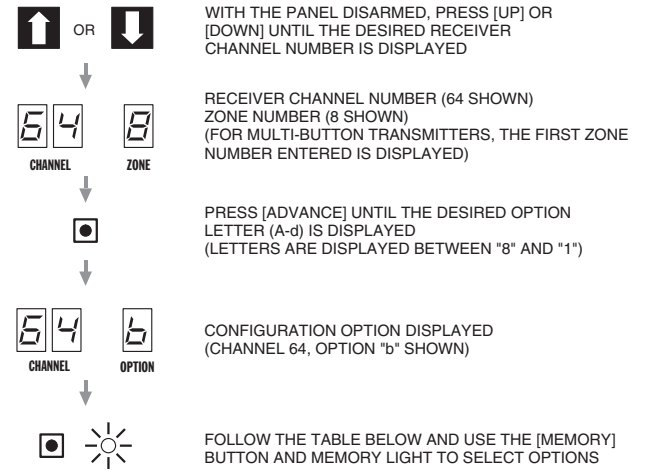


ENTERING MULTI-BUTTON TRANSMITTERS

NOTE: EACH MULTI-BUTTON TRANSMITTER USES ONE RECEIVER CHANNEL AND A DIFFERENT OUTPUT ZONE FOR EACH BUTTON WITH THE PANEL DISARMED, PRESS [UP] OR [DOWN] UNTIL THE DESIRED RECEIVER CHANNEL NUMBER FOR THE MULTI-BUTTON TRANSMITTER IS DISPLAYED



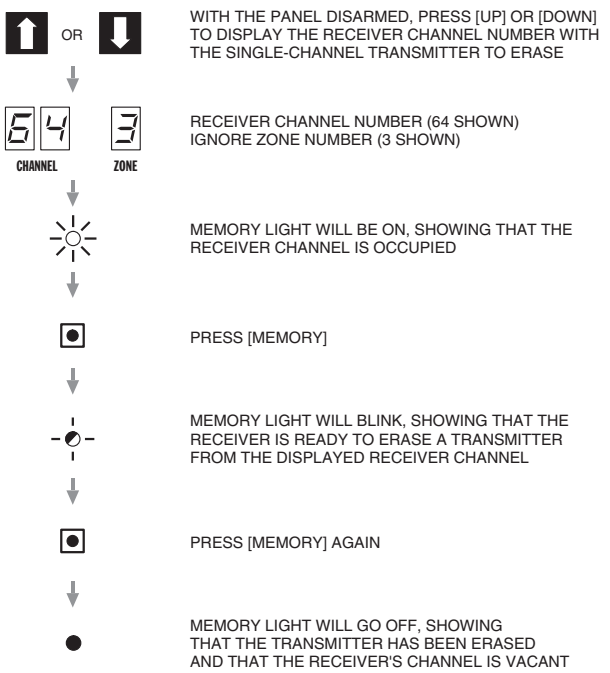
SETTING TRANSMITTER OPTIONS



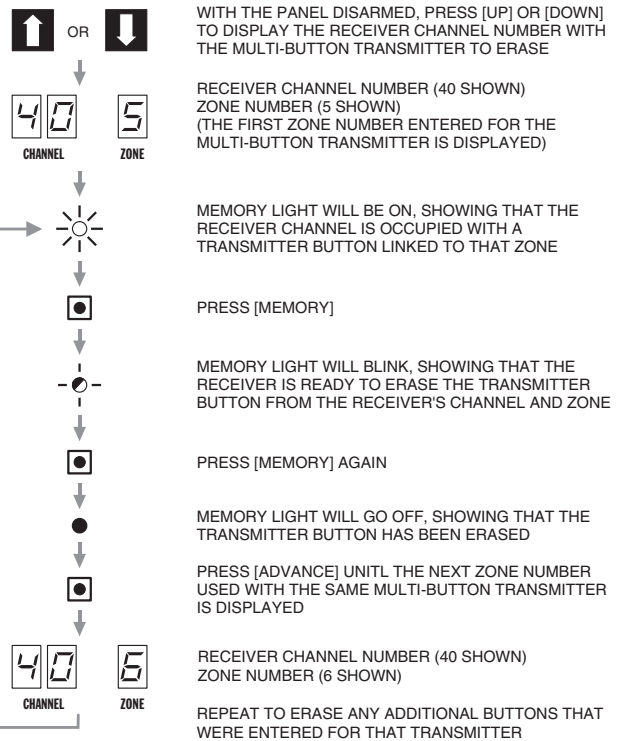
FACTORY DEFAULT SETTINGS ★

OPTION	MEMORY LIGHT OFF	MEMORY LIGHT ON
A	AUTO-RESTORE TX (PIR & PORTABLES)	SELF-RESTORE TX (DOORS & WINDOWS) ★
B	NO TX STATUS REPORTS	TX MAKES STATUS REPORTS ★
C	TX USES ENTRY & EXIT DELAYS	TRANSMITTER IS INSTANT ★
D	UNARMED ALARM MEMORY FOR TX	ALARM MEMORY ONLY WHEN ARMED ★

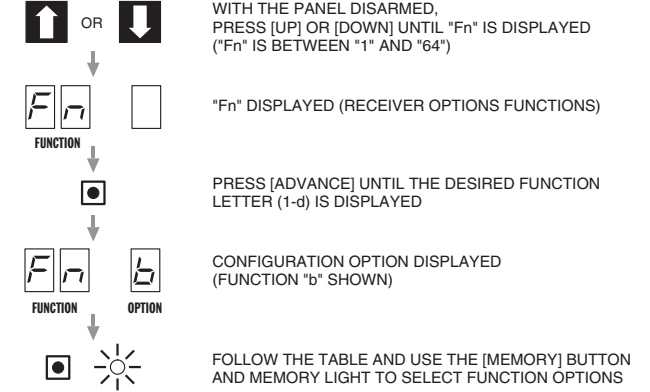
ERASING SINGLE-CHANNEL TRANSMITTERS



ERASING MULTI-BUTTON TRANSMITTERS



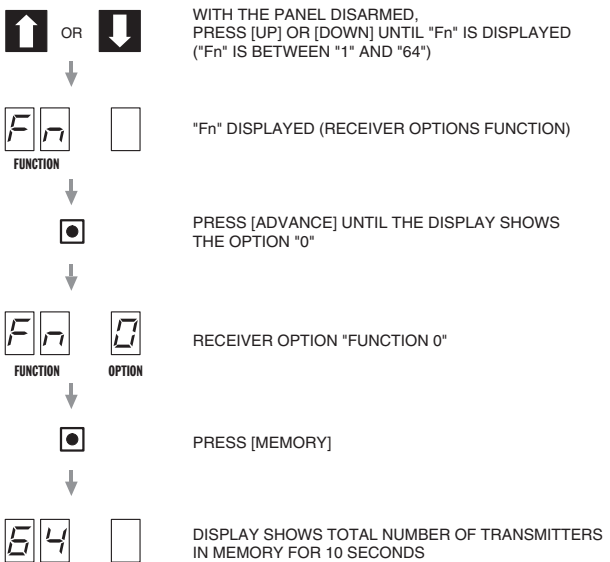
SETTING RECEIVER OPTIONS



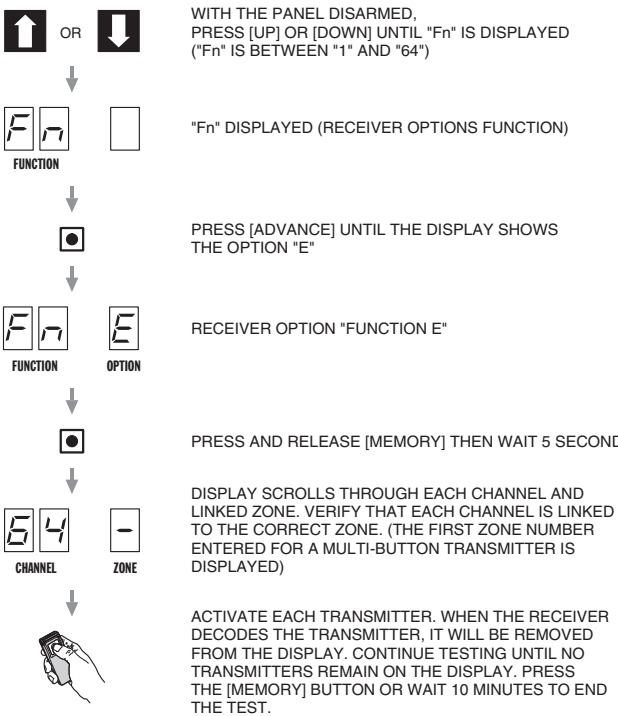
FACTORY DEFAULT SETTINGS ★

Fn #	MEMORY LIGHT OFF	MEMORY LIGHT ON	Fn #	MEMORY LIGHT OFF	MEMORY LIGHT ON
1	ARMED WHEN ARM=GROUND	ARMED WHEN ARM-VOLTAGE ★	8	ONE OF THE OTHER DELAYS	ENTRY DELAY 40 SECONDS
2	TBD	TBD ★	9	ONE OF THE OTHER DELAYS	ENTRY DELAY 60 SECONDS
3	DISPLAY BLANK WHEN ARMED	DISPLAY ON AT ALL TIMES ★	A	ONE OF THE OTHER DELAYS	EXIT DELAY 0 SECONDS ★
4	STATUS ALERTS AFTER 2 HOURS	STATUS ALERTS AFTER 8 HOURS ★	B	ONE OF THE OTHER DELAYS	EXIT DELAY 20 SECONDS
5	OUTPUTS NORM. CLOSED	OUTPUTS NORMALLY OPEN ★	C	ONE OF THE OTHER DELAYS	EXIT DELAY 40 SECONDS
6	ONE OF THE OTHER DELAYS	ENTRY DELAY 0 SECONDS ★	D	ONE OF THE OTHER DELAYS	EXIT DELAY 60 SECONDS
7	ONE OF THE OTHER DELAYS	ENTRY DELAY 20 SECONDS ★			SET EXIT AND ENTRY DELAYS A LITTLE LONGER THAN THE CONTROL PANEL'S DELAYS

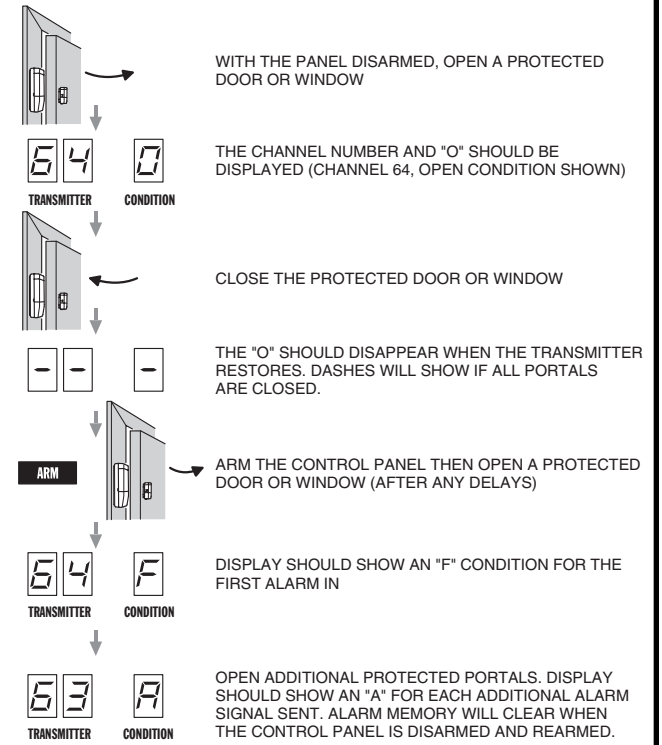
TRANSMITTER COUNT



VERIFYING TRANSMITTERS

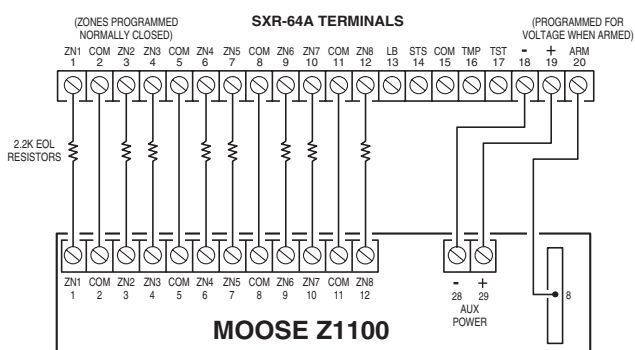


SYSTEM TESTING

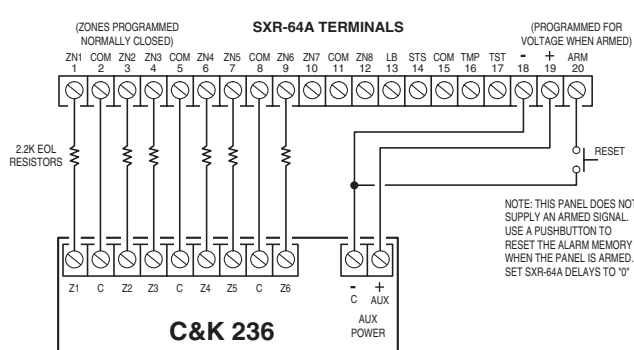


NOTE: PRESSING [UP] AND [DOWN] TOGETHER ANYTIME DURING PROGRAMMING WILL CAUSE THE SXR-64A TO EXIT PROGRAM MODE AND RETURN TO RUN MODE

HOOKUP: MOOSE Z1100 & CADDX RANGER 9000



HOOKUP: C&K 236 & NAPCO MA1000



LINEAR LIMITED WARRANTY

This Linear product is warranted against defects in material and workmanship for twelve (12) months. The Warranty Expiration Date is labeled on the product. **This warranty extends only to wholesale customers** who buy direct from Linear or through Linear's normal distribution channels. **Linear does not warrant this product to consumers.** Consumers should inquire from their selling dealer as to the nature of the dealer's warranty, if any. **There are no obligations or liabilities on the part of Linear Corporation for consequential damages arising out of or in connection with use or performance of this product or other indirect damages with respect to loss of property, revenue, or profit, or cost of removal, installation, or reinstallation.** All implied warranties, including implied warranties for merchantability and implied warranties for fitness, are valid only until Warranty Expiration Date as labeled on the product. **This Linear Corporation Warranty is in lieu of all other warranties express or implied.** All products returned for warranty service require a Return Product Authorization Number (RPA#). Contact Linear Technical Services at 1-800-421-1587 for an RPA# and other important details.

IMPORTANT !!!

Linear radio controls provide a reliable communications link and fill an important need in portable wireless signalling. However, there are some limitations which must be observed.

- * For U.S. installations only: The radios are required to comply with FCC Rules and Regulations as Part 15 devices. As such, they have limited transmitter power and therefore limited range.
- * A receiver cannot respond to more than one transmitted signal at a time and may be blocked by radio signals that occur on or near their operating frequencies, regardless of code settings.
- * Changes or modifications to the device may void FCC compliance.
- * Infrequently used radio links should be tested regularly to protect against undetected interference or fault.
- * A general knowledge of radio and its vagaries should be gained prior to acting as a wholesale distributor or dealer, and these facts should be communicated to the ultimate users.

Free Manuals Download Website

<http://myh66.com>

<http://usermanuals.us>

<http://www.somanuals.com>

<http://www.4manuals.cc>

<http://www.manual-lib.com>

<http://www.404manual.com>

<http://www.luxmanual.com>

<http://aubethermostatmanual.com>

Golf course search by state

<http://golfingnear.com>

Email search by domain

<http://emailbydomain.com>

Auto manuals search

<http://auto.somanuals.com>

TV manuals search

<http://tv.somanuals.com>