

LITTLE WONDER®

HPV™

HIGH PERFORMANCE VAC™

ASPIRADORA DE ALTO RENDIMIENTO

ASPIRATEUR HAUTE PERFORMANCE



© 2004 Little Wonder, Div. of Schiller-Pfeiffer Inc. All Rights Reserved.

© 2004 Little Wonder, División de Schiller - Pfeiffer, Inc. Todos los Derechos Reservados.

© 2004 Little Wonder, Division de Schiller Pfeiffer Inc. Tous droits réservés.

Table of Contents

Important Information

Introduction1
Service Information1
Special Safety Information1

Unpackaging

Unpackaging Information2

Safety and Warnings

Safety Decals2-3

General Safety Rules

Warnings - "Don'ts"4
Warnings - "Do's"4-5
Engine/ Fuel Warnings - "Don'ts"5
Engine/ Fuel Warnings - "Do's"5

Assembly Instructions

Use of Lifting Lug6
Put Oil in Engine Before Starting6

Operation

Start Engine7
Vacuuming7
Empty Debris Bag7
Removing Blockage in Moving Parts7
Refueling the Engine7

Storage and Maintenance

Storage8
Maintenance8
Removing the Fan9

Part Numbers

HPV Assembly Part Numbers10
HPV Subassembly Part Numbers11

Warranties

WarrantyBack cover

Important Information

A. Introduction

On behalf of everyone at **Little Wonder**, we would like to thank you for your purchase of a **Little Wonder** High Performance Vac. This professional debris handling machine was designed to the highest standards to ensure you many hours of uninterrupted service.

This manual provides the information necessary for safe and efficient operation and service. For your safety, it is critically important that you read and understand this entire manual before operating your High Performance Vac.

Specifications:

Model	Dry Weight	Max Rpm
5600	182 lbs.	3400
5610	184 lbs.	3400

B. Service Information

High Performance Vac Unit

Contact your local **Little Wonder** dealer.

Engine

Contact an authorized Briggs & Stratton dealer. Dealers are listed in the Yellow Pages under "Lawn and Garden Equipment Supplies", "Lawn Maintenance" or "Lawn Mowers". Your dealer will need to know the model and serial number of your engine. For their location, please consult the operator's manual provided with your engine.

C. Special Safety Information

▲ WARNING ▲ DANGER ▲
ATTENTION: THIS SYMBOL POINTS OUT IMPORTANT SAFETY INSTRUCTIONS
▲ WHEN YOU SEE THIS SYMBOL ▲
HEED ITS WARNING! STAY ALERT!

▲ WARNING ▲ DANGER ▲
TO REDUCE THE POTENTIAL FOR ACCIDENTS, COMPLY WITH THE SAFETY INSTRUCTIONS IN THIS MANUAL. FAILURE TO COMPLY MAY RESULT IN SERIOUS PERSONAL INJURY AND OR EQUIPMENT AND PROPERTY DAMAGE.

▲ WARNING ▲ DANGER ▲
THE ENGINE EXHAUST FROM THIS PRODUCT CONTAINS CHEMICALS KNOWN TO THE STATE OF CALIFORNIA TO CAUSE CANCER, BIRTH DEFECTS OR OTHER REPRODUCTIVE HARM.

Unpacking

1. Remove Collector assembly & Debris bag from the top section of the package
2. Remove cardboard insert
3. Cut away side off box and fold down
4. Roll HPV base unit out of box

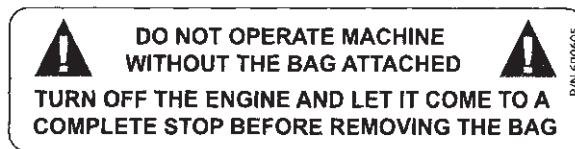
Safety and Warnings

A. Safety Decals

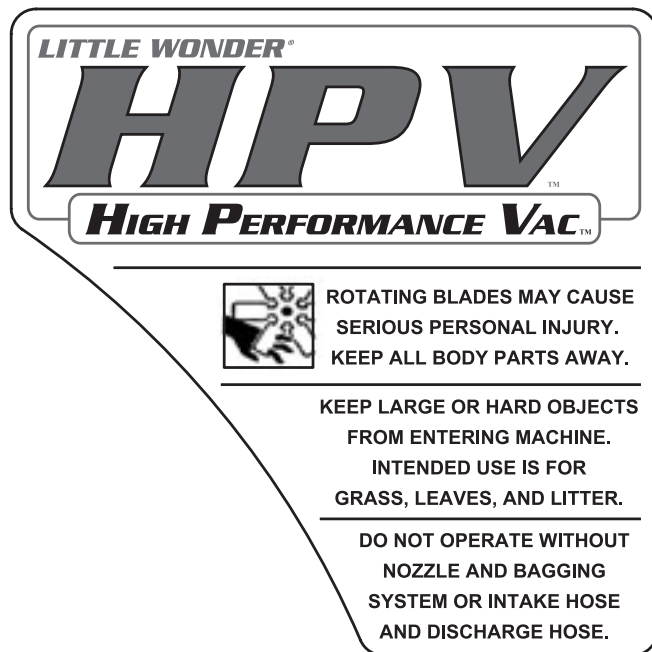
An important part of the safety system incorporated in this High Performance Vac are the warnings and informational decals (labels) found on various parts of the unit.

These decals (labels) must be replaced if they become illegible due to abrasion, etc.

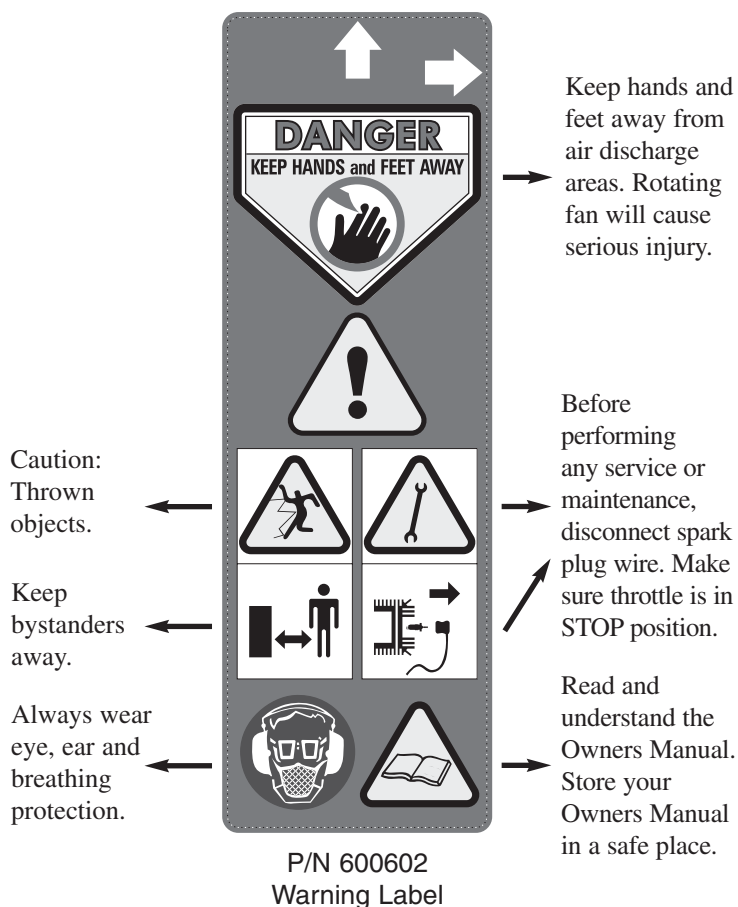
It is your responsibility to replace the decals (labels) when they become hard to read. The location of these decals and their part numbers for ordering are shown on page 3.



P/N 600605
Warning Label



P/N 600604



P/N 600602
Warning Label


Safety and Warnings

! DO NOT OPERATE MACHINE WITHOUT THE BAG ATTACHED **!**
TURN OFF THE ENGINE AND LET IT COME TO A COMPLETE STOP BEFORE REMOVING THE BAG

P/N 600605

P/N 600605
Warning Label

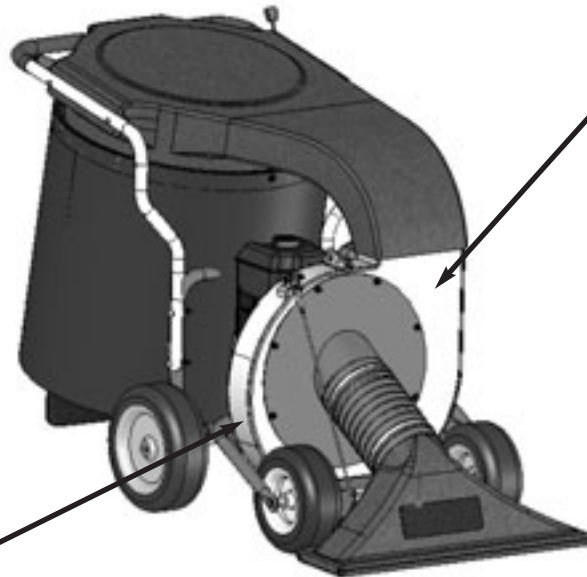
LITTLE WONDER®
HPV
HIGH PERFORMANCE VAC™

 ROTATING BLADES MAY CAUSE SERIOUS PERSONAL INJURY. KEEP ALL BODY PARTS AWAY.

KEEP LARGE OR HARD OBJECTS FROM ENTERING MACHINE. INTENDED USE IS FOR GRASS, LEAVES, AND LITTER.

DO NOT OPERATE WITHOUT NOZZLE AND BAGGING SYSTEM OR INTAKE HOSE AND DISCHARGE HOSE.

P/N 600604



DANGER
KEEP HANDS and FEET AWAY





P/N 600602
Warning Label

General Safety Rules

1. Read and understand manual.
2. Wear eye, hearing, and breathing protection, proper clothing and footwear.
3. While operating the machine always be sure of a safe and secure operating position, maintain a firm footing and good balance at all times.
4. Keep area clear of children, pets and bystanders.
5. Never attempt to use an incomplete machine or one fitted with an unauthorized modification.
6. Avoid contact with and inhalation of harmful fluids, gases, mists, fumes, and dust.
7. Do not allow children to operate machine.
8. Do not override or remove any safety devices.

▲▲ WARNING ▲▲ DANGER ▲▲

9. FAN COASTS AFTER THE ENGINE IS TURNED OFF.

▲▲ WARNING ▲▲ DANGER ▲▲

10. ROTATING FAN. DON'T ATTEMPT TO REMOVE MATERIALS FROM INTAKE OR DISCHARGE WHEN UNIT IS RUNNING, OR FAN IS ROTATING.

11. Keep hands away from hose inlet and discharge chute.
12. Disconnect spark plug before doing any cleaning or maintenance.
13. Wear gloves to protect your hands.
14. Beware that the machine is loud and, during normal operation; may interfere with speech communication.

A. ▲ Warnings - "Don'ts"

Don't attempt to remove materials from intake or discharge when High Performance Vac is running, or fan is rotating.

Don't install or remove components while High Performance Vac is running. Turn off engine to make changeover. Be sure throttle is in the stop position, and the High Performance Vac has come to a complete stop. Remove the spark plug wire from the spark plug before removing material.

Don't attempt to repair High Performance Vac. Have repairs made by qualified Little Wonder dealer or repairman. See that only Little Wonder and recommended engine manufacturers replacement parts are used.

▲▲ WARNING ▲▲ DANGER ▲▲

DO NOT SMOKE WHEN FILLING FUEL TANK

Don't leave the engine running while the High Performance Vac is unattended.

Don't store, spill, or use gasoline near flames or spark

B. ▲ Warnings - "Do's"

Always dress properly. Do not wear loose clothing or jewelry. They can be caught in moving parts. Use of sturdy gloves, non-skid footwear and safety glasses are recommended. Always wear ear protectors where possible. Use face filter to avoid breathing dust.

Always stay alert. Watch what you are doing and use common sense. Do not operate High Performance Vac when fatigued.

Always keep hands away from air intake and air outlet chute. Keep both hands on handles when power is on.

Always maintain and examine High Performance Vac with care. Follow maintenance instructions given in manual.

▲▲ WARNING ▲▲ DANGER ▲▲

DO NOT USE THE HIGH PERFORMANCE VAC IF THE MUFFLER IS DEFECTIVE OR MISSING.

B. Warnings - "Do's" Continued

Always store High Performance Vac indoors. When not in use, store High Performance Vac indoors in a sheltered area (a dry place) where it's not accessible to children. The High Performance Vac, as well as fuel, should not be stored in a house. Keep throttle in the stop position.

Always be sure High Performance Vac is fully assembled. Never operate High Performance Vac without all guards and deflectors in place. Ensure that all nuts, bolts, screws are installed and properly tightened.

Always keep the throttle in the "stop" position when not in use.

Always keep a safe distance between two or more operators when working together simultaneously.

 **WARNING**  **DANGER** 

IF THE HIGH PERFORMANCE VAC IS USED IMPROPERLY OR SAFETY PRECAUTIONS ARE NOT FOLLOWED, THE USER RISKS SERIOUS INJURY TO THEMSELVES AND OTHERS.

READ AND UNDERSTAND THE FOLLOWING BEFORE ATTEMPTING TO OPERATE THIS HIGH PERFORMANCE VAC.

 **WARNING**  **DANGER** 

HANDLE FUEL WITH CARE. IT IS HIGHLY FLAMMABLE. FUELING A HOT ENGINE OR NEAR AN IGNITION SOURCE CAN CAUSE A FIRE AND RESULT IN SERIOUS PERSONAL INJURY AND/ OR PROPERTY DAMAGE.

C. Engine/ Fuel Warnings - "Don'ts"

Don't fuel, refuel or check fuel while smoking or near an open flame or other ignition source. Stop engine and be sure it is cool before refueling.

Don't leave the engine running while the High Performance Vac is unattended. Stop engine before transporting High Performance Vac from one place to another.

Don't start or run this High Performance Vac indoors, or in an improperly ventilated area as poisonous carbon monoxide and other gasses are emitted.

Don't run engine when electrical system causes spark outside the cylinder. During periodical checks of the spark plug, keep plug a safe distance from cylinder to avoid burning of evaporated fuel from cylinder.

Don't check for spark with spark plug or plug wire removed and grounded. Use an approved tester. Sparks can ignite fumes.

Don't run engine when the odor of gasoline is present or other explosive conditions exist.

Don't operate the unit if gasoline is spilled. Clean up spill completely before starting engine.

Don't refuel indoors or in an improperly ventilated area.

Don't operate your High Performance Vac if there is an accumulation of debris around the muffler and cooling fins.

Don't touch hot mufflers, cylinders or cooling fins as contact may cause serious burns.

D. Engine/ Fuel Warnings - "Do's"

Always use fresh gasoline. Stale gasoline can cause leakage.

Always pull starter cord slowly until resistance is felt. Then pull cord rapidly to avoid kickback and prevent arm or hand injury.

The use of spark arrestor mufflers is required by law in the state of California (Section 4442 of the California Public Resources Code), as well as in other states or municipalities. Federal laws apply on federal lands.

Always handle fuel with care; it is highly flammable. Never add fuel to a machine with a running or hot engine. Do not inhale fuel fumes as they are toxic.

The spark ignition system meets all requirements of the Canadian Interference Causing Equipment Regulations.

Assembly Instructions

1. Bolt collector assembly to frame with 4 sets of bolts, washer, and nuts.
2. Slide discharge over housing and mount flange with 2 sets of washers and nuts.
3. Assemble throttle control lever to handle with bolt, washer and nut.
4. Attach throttle clips to cable and clip onto handle.
5. Connect Debris Bag to collector by hooking the hoop at the top of the bag over the lip on the collector nearest the engine. A "velcro" strip helps to hold the bag in position. Position the buckle under the center of the handles. Pull the strap to the left until the bag is tight and secure.
6. Fill engine oil as per the engine's operating instruction (provided).
7. Fill gasoline tank as per the engine's operating instruction (provided).

⚠ WARNING ⚠ DANGER ⚠

**NEVER RUN OR OPERATE YOUR MACHINE
UNLESS DISCHARGE BAG IS ATTACHED,
AND THE INTAKE NOZZLE IS INSTALLED.**

A. Use of Lifting Lug

Little Wonder High Performance Vac is supplied with convenient Lifting Lug that can be used when you need to move the unit. This Lug can hold weight up to a total of 250 lbs.

⚠ WARNING ⚠ DANGER ⚠

**DO NOT USE OR SERVICE THE UNIT WHEN IT'S
SUSPENDED FROM THE LIFTING LUG.**

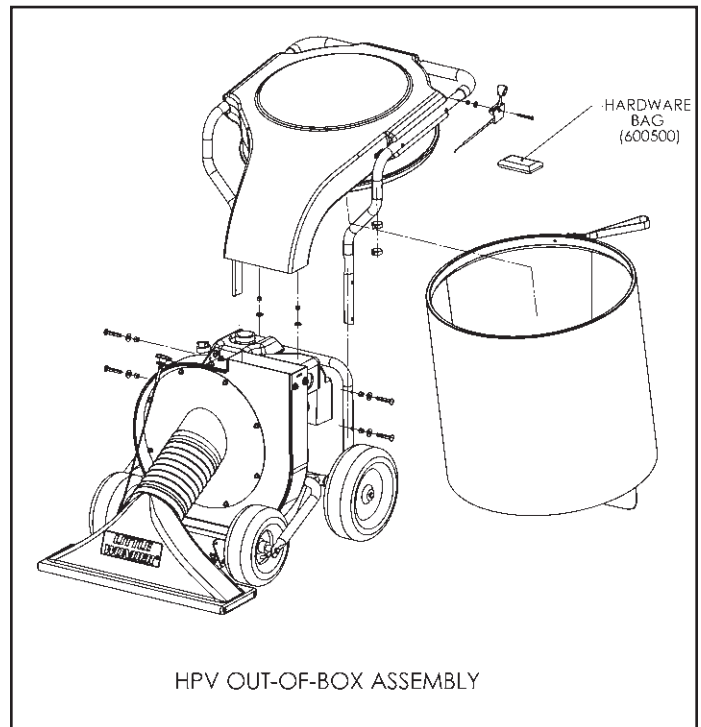
B. Put Oil in Engine Before Starting

1. Little Wonder recommends using SAE 30 Oil. The use of multi-viscosity oil will result in high oil consumption and possible engine damage.
2. Add gasoline to the fuel tank, and you are ready to start.

⚠ WARNING ⚠ DANGER ⚠

**HANDLE FUEL WITH CARE. IT IS HIGHLY
FLAMMABLE. FUELING A HOT ENGINE OR NEAR
AN IGNITION SOURCE CAN CAUSE A FIRE AND
RESULT IN SERIOUS PERSONAL INJURY AND/ OR
PROPERTY DAMAGE.**

See Engine Operating & Maintenance instructions for more detail description of type and amount of oil and gasoline used.



Operation



WARNING



DANGER



THE OPERATOR OF THIS HIGH PERFORMANCE VAC IS RESPONSIBLE FOR ACCIDENTS OR HAZARDS OCCURRING TO HIMSELF, OTHER PEOPLE OR THEIR PROPERTY.

A. Start Engine



WARNING



DANGER



FUEL IS EXTREMELY FLAMMABLE. HANDLE IT WITH CARE. KEEP AWAY FROM IGNITION SOURCES. DO NOT SMOKE WHILE FUELING YOUR EQUIPMENT.

1. Open fuel valve
2. Open choke
3. Set throttle to run
4. Pull starter rope 1 – 3 times
5. Allow engine to turn over
6. Close choke
7. Set throttle speed to max



WARNING



DANGER



ENGINE EMITS CARBON MONOXIDE. DO NOT OPERATE OR REFUEL IN ENCLOSED AREA.

B. Vacuuming

1. Adjust nozzle to desired height by turning the Nozzle Control Knob, secure position with wing nut.
2. Vacuum debris from lawn or paved surfaces. Vacuum the following: leaves, small twigs and sticks, acorns, thistles, seed pods, grass clippings, straw, wood chips, dry mulch, litter, small cans & bottles, paper products, styrofoam products.
3. Avoid the following: excessively wet surfaces and debris, gravel surfaces, large hard objects, rocks, long fibrous materials (vines, rope, string etc). Do not force anything into vacuum.



WARNING



DANGER



KEEP RECOIL STARTER SCREEN AND ENTIRE ENGINE CLEAR OF ALL DEBRIS. DO NOT OPERATE ENGINE WITH AN ACCUMULATION OF GRASS, DIRT, LEAVES OR OTHER COMBUSTIBLE MATERIAL NEAR MUFFLER.

DO NOT operate unit if excessive vibration occurs; shut engine off immediately! Remove spark plug wires and check for damaged impeller, loose impeller bolt, loose impeller key, or lodged foreign objects.

C. Empty Debris Bag

1. Turn off engine and let it come to a complete stop before removing the debris bag.
2. Roll vacuum to the desired unloading location (compost pile, curb-side, wooded area, tarp, etc.)
3. Depress buckle to release bag to the ground. Avoid dragging bag on surface to prolong bag life.
4. Empty contents of debris bag (handle straps are provided on the under side of the bag for aid in dumping contents).
5. Reconnect bag to Collector.

D. Removing Blockage in Moving Parts



WARNING



DANGER



TURN OFF ENGINE BEFORE YOU DISCONNECT HOSE, AND MAKE SURE ALL MOVING PARTS COME TO A COMPLETE STOP.



WARNING



DANGER



BE SURE THROTTLE IS IN “STOP” POSITION, AND FAN HAS COME TO A COMPLETE STOP.



WARNING



DANGER



DISCONNECT THE SPARK PLUG WIRES BEFORE ANY CLEANING OR MAINTENANCE!



WARNING



DANGER



WEAR GLOVES, THE CLOG MAY CONTAIN SHARP MATERIALS.

E. Refueling the Engine

1. Stop engine and allow it to cool for a few minutes before refueling.

Storage and Maintenance

A. Storage

1. When not in use store High Performance Vac in sheltered area (a dry place) not accessible to children. Keep throttle in the "Stop" position.
2. The High Performance Vac, as well as fuel, should not be stored in a house or poorly ventilated areas.
3. Do not store fuel in the engine's gas tank longer than 30 days.

B. Maintenance

Area	Every Use	Every 5 Hrs	After First 8 Hrs of Use	Every 25 Hours	Every 50 Hours
Engine	See Engine Manual				
Check muffler area for accumulation of debris	✓				
Check for excessive vibration	✓				
Inspect for loose or damaged parts		✓			
Inspect for clean intake nozzle	✓				
Inspect labels condition	✓				
Check oil level		✓			
*Oil change			✓		✓
Service air cleaner				✓	
Clean and inspect spark plus arrester					✓

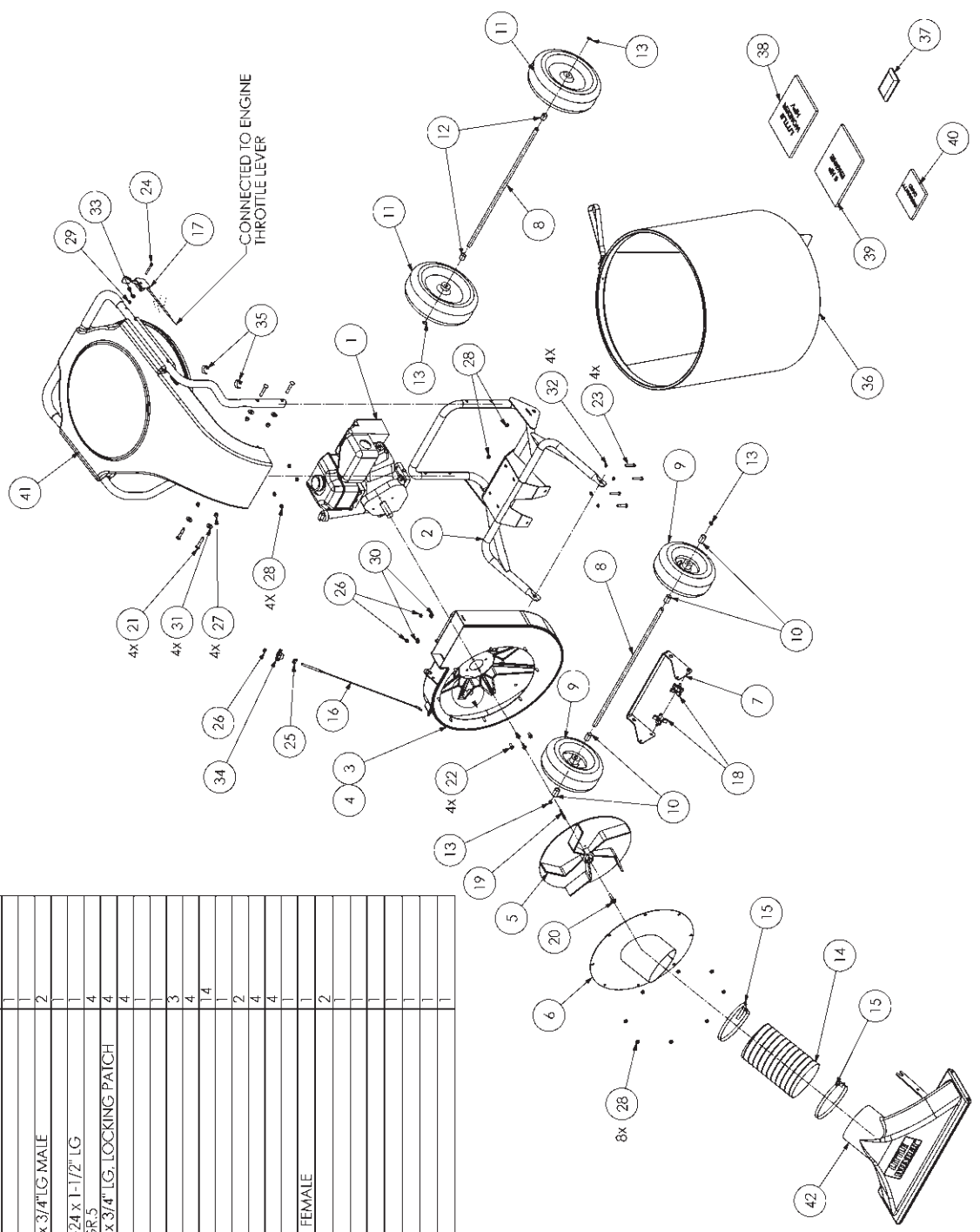
* Change oil every 25 Hrs if operating under heavy load or high ambient temperature

** See Engine Operating & Maintenance instructions for more detail maintenance and service schedule

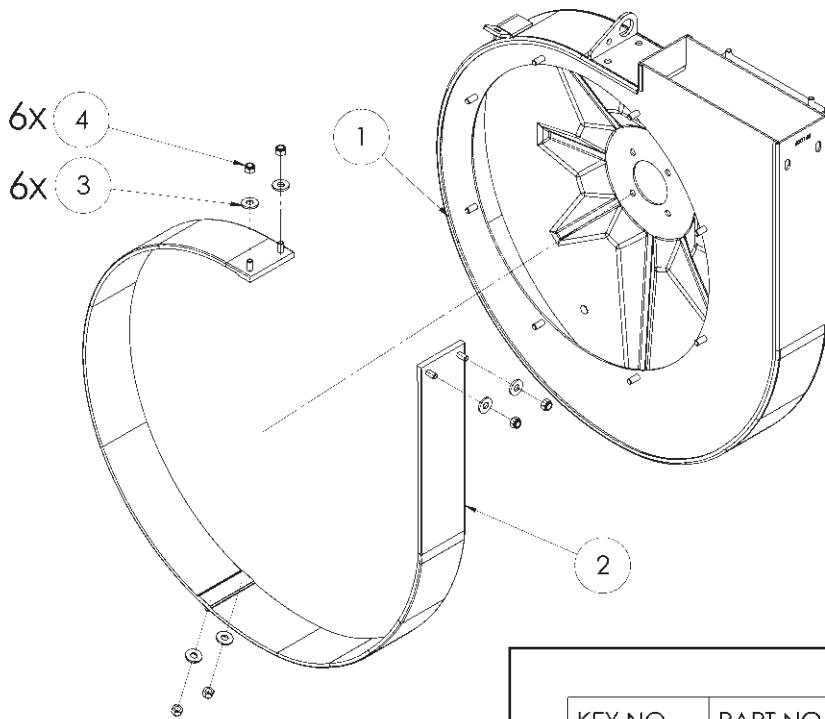
C. Directions for removing the Fan and reinstallation

1. Remove spark plug wire from spark plug.
2. Remove nozzle assembly.
3. Remove front plate assembly.
4. Remove the bolt that secures the fan to the engine crankshaft.
5. The fan has a 3/4-16 nut welded on the fan hub. Insert a 3/4-16 x 5" long grade 5 (or better) bolt and jack or push the fan off the engine (Little Wonder P/no 910505 pressure screw is recommended).
6. Replace damaged or worn fan with a new one. If during fan removal the key (#915) was removed from the keyway, reinstall it by applying a few drops of the Loc-Tite 380 instant adhesive ("Black Max" P/N 38050) on the key, and load the key in the keyway of the shaft. (Cure time is approx. 1 min.).
7. Use a new bolt (#910518) and complete fan installation. Insure a secure fit upon re-assembling.

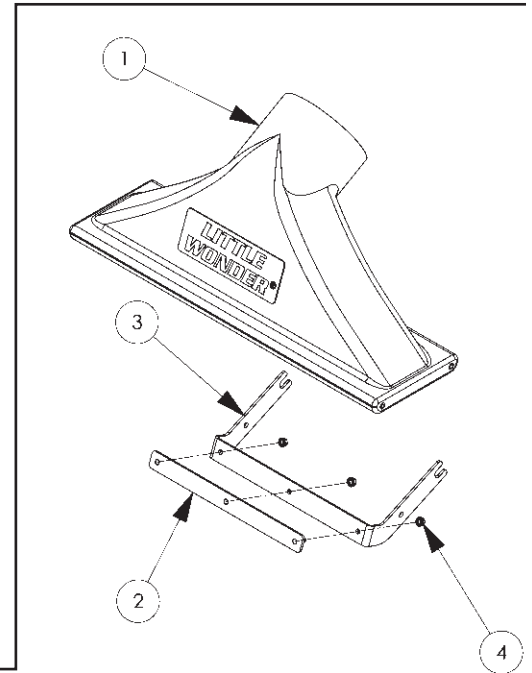
KEY NO.	PART NO.	DESCRIPTION	QUANTITY
1	910914	ENGINE, 6 HP INTEK	1
2	600121	FRAME	1
3	600106	HOUSING - NO LINER HOLES	1
4	600148	HOUSING - WITH LINER HOLES	1
5	600114	IMPELLER-BALANCED	1
6	600118	FRONT PLATE ASSEMBLY	1
7	600151	AXLE LINKAGE	2
8	600135	AXLE	2
9	934	WHEEL, 10"	4
10	600136	SPACER, FRONT WHEEL	4
11	920300	WHEEL, 12"	2
12	600137	SPACER, REAR WHEEL	2
13	312	SNAP RING, 5/8"D	4
14	600102	HOSE, NOZZLE, 7"D x 11" LG	1
15	720420	CLAMP, HOSE, 7" D	2
16	600104	THROTTLE CONTROL CABLE	1
17	600103	THROTTLE CABLE CONTROL	1
18	600152	KNOB, NOZZLE BRACKET, 5/16-18 x 3/4" LG MALE	2
19	915	KEY, 1/4" SQ x 2" LG	1
20	910518	FAN BOLT, SERRATED FLANGE, 3/8-24 x 1-1/2" LG	1
21	600504	BOLT, CARRIAGE, 3/8-16 x 2-1/4, GR 5	4
22	910503	BOLT, SERRATED FLANGE, 5/16-24 x 3/4" LG, LOCKING PATCH	4
23	942	BOLT, HEX, 5/16-18 x 1-3/4" LG	4
24	600505	BOLT, HEX, 1/4-20 x 2-1/4	1
25	600507	NUT, WING, 5/16-18	1
26	114C	NUT, NYLOCK, 5/16-18	3
27	720518	NUT, NYLOCK, 3/8-16	4
28	114B	NUT, SERRATED FLANGE, 5/16-18	14
29	600506	NUT, NYLOCK, 1/4-20	1
30	720511	WASHER, FLAT, 5/16, USS	2
31	720516	WASHER, FLAT, 3/8, USS	4
32	129D	WASHER, SPLIT LOCK, 5/16	4
33	720510	WASHER, FLAT, 1/4, USS	1
34	600162	KNOB, NOZZLE CONTROL, 5/16-18, FEMALE	1
35	600160	CLIP, THROTTLE CABLE, 1-1/4	2
36	600105	HARDWARE BAG	1
37	600500	OWNERS MANUAL	1
38	600700	ENGINE MANUAL	1
39	N/A	WARRANTY CARD	1
40	16-102	COLLECTOR ASSEMBLY	1
41	SEE DETAIL	NOZZLE ASSEMBLY	1
42	SEE DETAIL		1



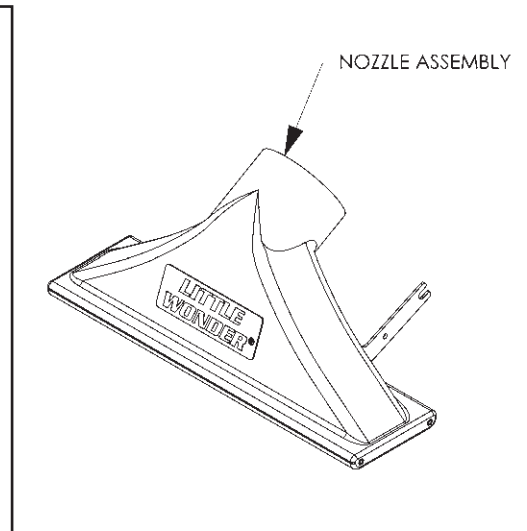
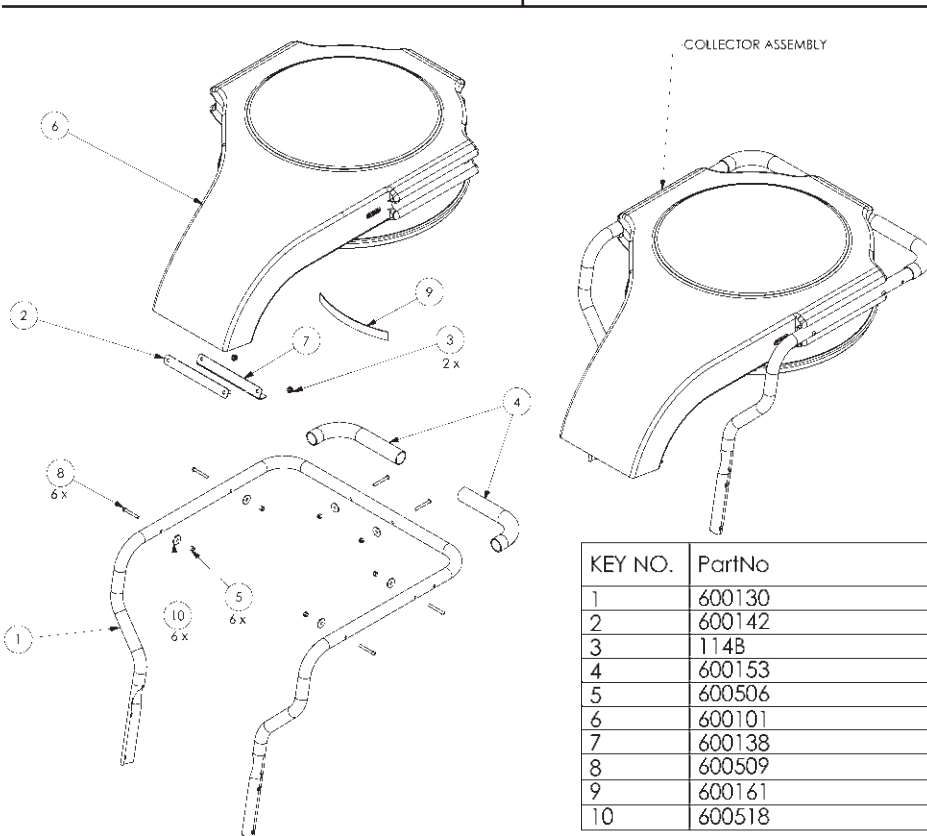
KEY NO.	PART NO.	DESCRIPTION	QTY
1	600148	Housing Assembly-With Liner Holes	1
2	600155	Liner Assembly	1
3	720511	Washer, Flat, 5/16, USS	6
4	114C	Nuts, Nylock, 5/16-18	6



(Model 5610 only)



KEY NO.	PART NO.	DESCRIPTION	QTY.
1	600100	NOZZLE	1
2	600133	NOZZLE CLAMP PLATE ASSEMBLY	1
3	600132	NOZZLE BRACKET	1
4	114B	NUT, SERRATED FLANGE, 5/16-18	3



KEY NO.	PartNo	DESCRIPTION	QTY.
1	600130	HANDLE	1
2	600142	FLANGE CLAMP PLATE	1
3	114B	NUT, SERRATED FLANGE, 5/16-18	2
4	600153	GRIP	2
5	600506	NUT, NYLOCK, 1/4-20	6
6	600101	DISCHARGE COLLECTOR	1
7	600138	FLANGE ANGLE-COLLECTOR	1
8	600509	BOLT, BUTTON SHCS, 1/4-20 x 2" LG	6
9	600161	HOOK STRIP	1
10	600518	WASHER, 1/4", COLLECTOR	6

1 YEAR LIMITED SERVICE & WARRANTY POLICY FOR HIGH PERFORMANCE VAC

The **Little Wonder** High Performance Vac is guaranteed against defects in material and workmanship for a period of ONE YEAR from date of purchase, when used for RESIDENTIAL SERVICE, or COMMERCIAL SERVICE. Any **Little Wonder** High Performance Vac or part found to be defective within the warranty period is to be returned to any registered Little Wonder Dealer.

Engines for all gasoline powered products are warranted separately by the engine manufacture for a period of one year. Therefore, there are no warranties made, expressed or implied, for engines of gasoline powered products by **Little Wonder**.

Transportation charges for parts and units submitted for replacement under this warranty must be borne by the purchaser.

THIS WARRANTY shall not be effective if the product has been subject to misuse, negligence or accident, or if the product has been repaired or altered outside of our Southampton factory in any respect which affects its condition or operation.

Little Wonder shall not be liable for any special indirect or consequential damages arising from defective equipment. Any implied warranty, including merchantability of fitness for a particular purpose, shall not extend beyond the written warranty period.

THIS WARRANTY shall only be effective if the enclosed Warranty/Registration card is properly filled out and returned to **Little Wonder**, Div. of Schiller-Pfeiffer, Inc. at time of purchase.

▲ WARNING ▲ DANGER ▲

THE ENGINE EXHAUST FROM THIS PRODUCT
CONTAINS CHEMICALS KNOWN TO THE STATE OF
CALIFORNIA TO CAUSE CANCER, BIRTH DEFECTS
OR OTHER REPRODUCTIVE HARM.

LITTLE WONDER®
DIVISION OF SCHILLER-PFEIFFER, INCORPORATED
1028 STREET ROAD, P.O. BOX 38
SOUTHAMPTON, PA 18966
PHONE 877-596-6337 • FAX 215-357-8045
877-LWONDER
www.littlewonder.com

P/N 600700
08/04

Índice de materias

Información importante

- Introducción1
- Información del servicio1
- Información especial de seguridad1

Desempaque

- Información para desempacarla2

Seguridad y Advertencias

- Etiquetas engomadas de salvaguardias2-3

Reglas generales de seguridad

- Advertencias – “No hacer”4
- Advertencias – “Hacer siempre”4-5
- Advertencias con el motor y el combustible – “No hacer”5
- Advertencias con el motor y el combustible – “Hacer siempre”5

Instrucciones del ensamblado

- Uso del perno elevador6
- Antes de arrancar el motor, abastézcalo con aceite.6

Operación

- Arranque del motor7
- Aspirado7
- Vaciado de la bolsa para los desechos7
- Eliminación de los obstáculos en los componentes móviles7
- Reabastecimiento de combustible al motor ...7

Almacenamiento y mantenimiento

- Almacenamiento8
- Mantenimiento8
- Extracción de la turbina9

Números de los componentes

- Números de los componentes en el ensamble de la HPV10
- Números de los componentes secundarios en el ensamble de la HPV11

Garantías

- GarantíaContraportada

Información importante

A. Introducción

En nombre de todos nosotros en **Little Wonder**, quisiéramos darle las gracias por haber adquirido una aspiradora HPV de alto rendimiento **Little Wonder**. Esta máquina profesional para el manejo de los desechos, fue diseñada con las normas más altas de la tecnología, para garantizarle muchas horas de servicio ininterrumpido.

Este manual le proporcionará la información necesaria para la operación, servicio eficiente y segura de este equipo. Antes de operar la aspiradora HPV de alto rendimiento, y para su propia seguridad, es significativamente importante que lea y entienda el contenido de todo el manual.

Especificaciones:

Modelo	Peso seco	R.P.M. Máx.
5600	182 lbs. (82.500 kg)	3400
5610	184 lbs. (83.400 kg)	3400

B. Información del servicio

Unidad aspiradora de alto rendimiento

Comuníquese con su distribuidor **Little Wonder** en su localidad.

Motor

Comuníquese con un distribuidor autorizado Briggs & Stratton. Los distribuidores aparecen en las páginas amarillas de la guía telefónica bajo las secciones de “Artículos para Patios y Jardines”, “Mantenimiento de Jardines”, o “Podadoras de Césped”. Su distribuidor necesitará saber el modelo y número de serie impreso en el motor. Si desea conocer la ubicación de su distribuidor, consulte el manual del operario que le fue proporcionado con el motor.

C. Información especial de seguridad

▲ ADVERTENCIA ▲ PELIGRO ▲
ATENCIÓN: ESTE SÍMBOLO INDICA LAS INSTRUCCIONES IMPORTANTES PARA SU SEGURIDAD.
▲ CUANDO VEA ESTE SÍMBOLO, ▲
¡PRÉSTELE ATENCIÓN A LA ADVERTENCIA!
¡MANTÉNGASE ALERTA!

▲ ADVERTENCIA ▲ PELIGRO ▲
CUMPLA CON LAS INSTRUCCIONES DE SEGURIDAD MENCIONADAS EN ESTE MANUAL, PARA REDUCIR EL POTENCIAL DE SUFRIR UN ACCIDENTE. OMITIR CUMPLIR CON ESTAS INSTRUCCIONES PUDIERA DAR COMO RESULTADO LESIONES CORPORALES Y/O DAÑAR EL EQUIPO O LOS BIENES DE SU PROPIEDAD.

▲ ADVERTENCIA ▲ PELIGRO ▲
ES DEL CONOCIMIENTO DEL ESTADO DE CALIFORNIA QUE EL HUMO DEL ESCAPE DEL MOTOR INSTALADO EN ESTE PRODUCTO CONTIENE PRODUCTOS QUÍMICOS QUE CAUSAN CÁNCER, DEFECTOS EN EL NACIMIENTO, O CUALQUIER OTRA CLASE DE LESIONES EN EL SISTEMA REPRODUCTOR.

Desempaque

1. Extraiga el ensamble del recolector y la bolsa para los desechos que fueron colocados en la sección superior del empaque
2. Extraiga el inserto de cartón.
3. Corte un lado de la caja y dóblelo hacia abajo.
4. Haga rodar la aspiradora HPV de alto rendimiento hacia fuera de la caja.




Seguridad y Advertencias

A. Etiquetas engomadas de salvaguardias

Un elemento importante del sistema de seguridad incorporado en esta aspiradora HPV de alto rendimiento son las etiquetas de advertencia e información localizadas en varias partes de la unidad.

Estas etiquetas engomadas (calcomanías) deberán sustituirse si llegasen a ser ilegibles como resultado de los abrasivos, etc.

Queda bajo su responsabilidad sustituir las etiquetas engomadas (calcomanías) cuando éstas no sean completamente legibles. La ubicación de estas calcomanías, y los números de los componentes correspondientes para solicitarlas, se ilustran en la página 3.

 **ADVERTENCIA**
 **PELIGRO**


EL USO O CUIDADO INADECUADO DE ESTA ASPIRADORA HPV DE ALTO RENDIMIENTO, U OMITIR EL USO DEL EQUIPO DE PROTECCIÓN ADECUADO, PUDIÉSE DAR COMO RESULTADO LESIONES GRAVES.

LEA Y ENTIENDA TODAS LAS REGLAS PARA LA OPERACIÓN SEGURA, ASÍ COMO TODAS LAS INSTRUCCIONES IMPRESAS EN ESTE MANUAL.

USE EQUIPO DE PROTECCIÓN PARA EL OÍDO, LA VISTA Y LA NARIZ.

NO OPERE LA ASPIRADORA SIN HABERLE COLOCADO LA BOLSA PARA LOS DESPERDICIOS.

ANTES DE EXTRAER LA BOLSA, APAGUE EL MOTOR Y ESPERE A QUE SE DETENGA POR COMPLETO.



DO NOT OPERATE MACHINE WITHOUT THE BAG ATTACHED



TURN OFF THE ENGINE AND LET IT COME TO A COMPLETE STOP BEFORE REMOVING THE BAG

P/N: 600605

Núm./Comp. 600605
Etiqueta de advertencia



Mantenga alejadas las manos y los pies de las zonas de descarga del aire. Las aspas giratorias de la turbina le causarán lesiones graves.

Antes de hacer cualquier reparación o labor de mantenimiento, desconecte el cable de la bujía. Cerciórese que el acelerador esté en la posición STOP.

Lea y entienda el contenido del manual del propietario. Conserve su manual del propietario en un lugar seguro.

Cuidado: Lanzamiento de objetos.

Mantenga alejados a los curiosos.

Use siempre la protección para la vista, el oído la nariz.

Núm./Comp. 600602
Etiqueta de advertencia

LITTLE WONDER®


HPV

ASPIRADORA DE ALTO RENDIMIENTO

ROTATING BLADES MAY CAUSE SERIOUS PERSONAL INJURY. KEEP ALL BODY PARTS AWAY.

KEEP LARGE OR HARD OBJECTS FROM ENTERING MACHINE. INTENDED USE IS FOR GRASS, LEAVES, AND LITTER.

DO NOT OPERATE WITHOUT NOZZLE AND BAGGING SYSTEM OR INTAKE HOSE AND DISCHARGE HOSE.



ROTATING BLADES MAY CAUSE SERIOUS PERSONAL INJURY. KEEP ALL BODY PARTS AWAY.

LAS ASPAS DE LA TURBINA PUEDEN CAUSARLE GRAVES LESIONES CORPORALES. MANTENGA ALEJADO TODO SU CUERPO Y SUS EXTREMIDADES.

EVITE QUE LOS OBJETOS DE GRAN TAMAÑO Y Duros ENTREN AL INTERIOR DE LA ASPIRADORA. EL USO INTENCIONAL DE LA ASPIRADORA ES PARA ASPIRAR CÉSPED, HOJAS MUERTAS Y BASURA.

NO LA OPERE SIN LA TOLVA, SIN EL SISTEMA DE EMBOLSADO NI SIN LAS MANGUERAS DE ABSORCIÓN Y DESCARGA.

Núm./Comp. 600604


Seguridad y Advertencias

! DO NOT OPERATE MACHINE WITHOUT THE BAG ATTACHED **!**
TURN OFF THE ENGINE AND LET IT COME TO A COMPLETE STOP BEFORE REMOVING THE BAG

P/N 600605

Núm./Comp. 600605
Etiqueta de advertencia

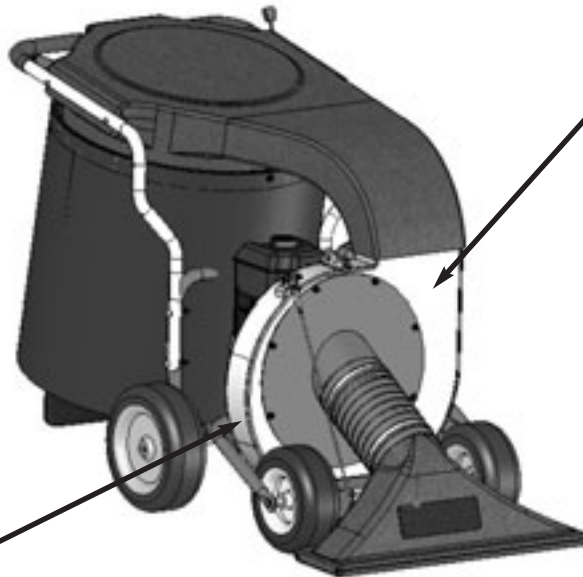
LITTLE WONDER®
HPV
ASPIRADORA DE ALTO RENDIMIENTO

 ROTATING BLADES MAY CAUSE SERIOUS PERSONAL INJURY. KEEP ALL BODY PARTS AWAY.

KEEP LARGE OR HARD OBJECTS FROM ENTERING MACHINE. INTENDED USE IS FOR GRASS, LEAVES, AND LITTER.

DO NOT OPERATE WITHOUT NOZZLE AND BAGGING SYSTEM OR INTAKE HOSE AND DISCHARGE HOSE.

P/N 600604



DANGER
KEEP HANDS and FEET AWAY



Núm./Comp. 600602
Etiqueta de advertencia

Reglas generales de seguridad

1. Lea y entienda el contenido del manual.
2. Use el equipo de protección para la vista, el oído y la nariz, la indumentaria y calzado apropiado.
3. Mientras opera la máquina, en todo momento cerciórese siempre estar en una posición firme y segura y manténgase apoyado y equilibrado firmemente sobre sus piernas.
4. Mantenga a los infantes, mascotas y curiosos alejados del área de trabajo.
5. Nunca intente usar la máquina sin todos sus componentes instalados, o si el equipo fue de alguna manera adaptado o modificado sin previa autorización.
6. Evite el contacto y la inhalación de los líquidos dañados, gases, dispersión, evaporación y polvo.
7. No permita que los infantes operen esta máquina.
8. No intente deshabilitar ni desinstalar ningunos de los dispositivos de seguridad.

 **ADVERTENCIA**  **PELIGRO** 

9. LA TURBINA SEGUIRÁ GIRANDO DESPUÉS DE HABER APAGADO EL MOTOR.

 **ADVERTENCIA**  **PELIGRO** 

10. TURBINA GIRATORIA NO INTENTE EXTRAER LOS MATERIALES ACUMULADOS EN LA ENTRADA O DESCARGA DEL AIRE, MIENTRAS LA UNIDAD ESTÉ EN FUNCIONAMIENTO O LA TURBINA ESTÉ GIRANDO.

11. Mantenga las manos alejadas de la manguera de absorción y la tolva de descarga.
12. Desconecte el cable de la bujía antes de hacer cualquier labor de limpieza o mantenimiento.
13. Use guantes para protegerse las manos.
14. No olvide que el funcionamiento de la máquina es ruidoso, durante su operación normal, y que pudiese interferir con la comunicación hablada.

A. Advertencias – “No hacer”

No intente extraer los materiales acumulados en la entrada o descarga del aire, mientras la aspiradora HPV de alto rendimiento esté en funcionamiento o la turbina esté girando.

No instale ni desinstale los componentes de la aspiradora HPV de alto rendimiento mientras está en funcionamiento. Interrumpa el funcionamiento del motor y haga las modificaciones necesarias. Cerciórese que el acelerador esté en la posición STOP y las aspas de la turbina se hayan detenido completamente. Desconecte el cable de la bujía antes de extraer el material atascado.

No intente reparar la aspiradora HPV de alto rendimiento. Haga que las reparaciones sean hechas por un distribuidor o reparador calificado de Little Wonder. Cerciórese que solamente sean instalados los componentes de repuesto Little Wonder y aquellos recomendados por el fabricante del motor.

 **ADVERTENCIA**  **PELIGRO** 
EVITE FUMAR MIENTRAS ABASTECE EL TANQUE DE COMBUSTIBLE.

Nunca dejar el motor en funcionamiento mientras que la aspiradora HPV de alto rendimiento esté desatendida.

No almacenar, derramar ni usar el combustible en las cercanías de las flamas o chispas.




B. Advertencias – “Hacer siempre”

Vestir **siempre** con la indumentaria apropiada. No usar ropa holgada ni alhajas. Estos artículos podrían ser atrapados por los componentes en movimiento. Se recomienda el uso de guantes reforzados, calzado antirresbalante y gafas de seguridad. Use siempre protectores de los oídos, cuando le sea posible. Use una mascarilla para evitar respirar el polvo.

Mantenerse **siempre** alerta. Observe lo que está haciendo y use el sentido común. No opere la aspiradora HPV de alto rendimiento si está fatigado.

Mantenga **siempre** las manos alejadas de las tolvas de absorción y descarga del aire. Mantenga ambas manos en los manubrios mientras la aspiradora esté en funcionamiento.

Mantener y revisar **siempre** y cuidadosamente su aspiradora HPV de alto rendimiento. Seguir las instrucciones mencionadas en este manual.

 **ADVERTENCIA**  **PELIGRO** 
NO USE LA ASPIRADORA HPV DE ALTO RENDIMIENTO SIN HABÉRSELE INSTALADO EL SILENCIADOR O SI ESTÁ DEFECTUOSO.




B. Advertencias – “Hacer siempre” – continuación




Almacenar **siempre** bajo techo su aspiradora HPV de alto rendimiento. Cuando la aspiradora HPV de alto rendimiento no esté en uso, manténgala bajo techo, en un área protegida (un lugar seco), en donde no esté fácilmente al alcance de los niños. La aspiradora HPV de alto rendimiento, así como el combustible, no deberán ser conservados en el interior de una casa. Mantenga el acelerador en la posición STOP.

Cerciórese **siempre** que la aspiradora HPV de alto rendimiento esté totalmente ensamblada. Nunca operar su aspiradora HPV de alto rendimiento sin las guardas y deflectores en su lugar. Cerciórese que todas las tuercas, pernos y tornillos estén instalados y apretados apropiadamente.

Mantenga **siempre** el acelerador en la posición “Stop” mientras no esté en uso.

Procurar **siempre** que dos o más operarios estén a una distancia segura cuando ambos operen equipos de manera simultánea.

 **ADVERTENCIA**  **PELIGRO** 
SI ESTA ASPIRADORA HPV DE ALTO RENDIMIENTO SE USA DE MANERA INAPROPIADA, O NO SE RESPETAN LAS PRECAUCIONES DE SEGURIDAD, EL USUARIO ESTARÁ TOMANDO EL RIESGO DE LESIONARSE ÉL MISMO Y A OTRAS PERSONAS.
LEA Y ENTIENDA LO SIGUIENTE, ANTES DE INTENTAR OPERAR ESTA ASPIRADORA HPV DE ALTO RENDIMIENTO.

 **ADVERTENCIA**  **PELIGRO** 
MANEJE EL COMBUSTIBLE CON CUIDADO. ES ALTAMENTE INFLAMABLE. ABASTECERLE COMBUSTIBLE A UN MOTOR CALIENTE, O EN LAS CERCANÍAS DE UNA FUENTE DE IGNICIÓN PUDIERA PROVOCAR UN INCENDIO Y DAR COMO RESULTADO LESIONES PERSONALES Y/O DAÑOS A LOS BIENES DE SU PROPIEDAD.

C. Advertencias con el motor y el combustible – “No hacer”

Nunca añadir combustible ni verificar el nivel de combustible si está fumando, o en las cercanías de flamas abiertas o cualesquiera otras fuentes de ignición. Interrumpa el funcionamiento del motor y revise que se haya enfriado.

Nunca dejar el motor en funcionamiento mientras que la aspiradora HPV de alto rendimiento esté desatendida. Interrumpa el funcionamiento del motor antes de trasladar la aspiradora HPV de alto rendimiento de un lugar a otro.

No arrancar ni hacer funcionar la aspiradora HPV de alto rendimiento en interiores, o en un área sin la ventilación apropiada, ya que el motor emite monóxido de carbono y otros gases venenosos.

Nunca hacer funcionar el motor cuando el sistema eléctrico provoque chispas fuera del cilindro. Durante las verificaciones periódicas de la bujía, mantenga la bujía a una distancia segura del cilindro y así evitar quemar el combustible en evaporación dentro del cilindro.

Nunca verificar la chispa si se ha desconectado o aterrizado el cable de la bujía. Use un dispositivo de prueba apropiado. Las chispas pueden encender la evaporación del combustible.

Nunca hacer funcionar el motor ante la presencia del olor a combustible, o cuando existan algunas otras circunstancias que pudieran provocar una explosión.

Nunca operar esta unidad si se ha derramado el combustible. Limpie completamente el combustible derramado, antes de arrancar el motor.

No rellenar el tanque de combustible en los interiores ni en un área sin la ventilación apropiada.

No operar su aspiradora HPV de alto rendimiento si existe una acumulación de desperdicios alrededor del silenciador y las aletas de enfriamiento.

Nunca tocar el silenciador, el cilindro o las aletas de enfriamiento cuando estén calientes ya que estos pudieran causarle quemaduras graves.

D. Advertencias con el motor y el combustible – “Hacer siempre”

Usar **siempre** combustible nuevo. El combustible que haya perdido sus cualidades podrá causar filtraciones.

Tirar **siempre** lentamente de la cuerda del arrancador, hasta sentir cierta resistencia. Después, tirar rápidamente de la cuerda del arrancador, para evitar el contragolpe del arrancador y prevenir lesionarse el brazo, o la mano.

El uso de los silenciadores con parachispas es un requisito de la ley en el Estado de California (Sección 4442 del Código de Recursos Públicos de California), así como en otros estados o municipios. Las leyes federales le son pertinentes a toda la federación.

Hacer que el combustible se maneje cuidadosamente, ya que es altamente inflamable. Nunca añadirle combustible al tanque mientras el motor esté caliente o en funcionamiento. No inhale la evaporación del combustible ya que es tóxico.

El sistema de ignición por chispa cumple con todos los requisitos de la reglamentación canadiense para los equipos que provocan interferencias.

Instrucciones del ensamblado

1. Atornille el ensamble del recolector en el armazón con el uso de los 4 juegos de tornillos, arandelas y tuercas.
2. Deslice la tolva de descarga por encima de la carcasa y coloque la brida con los 2 juegos de arandelas y tuercas.
3. Ensamble la palanca de control del acelerador en el manubrio con el uso del tornillo, arandela y tuerca.
4. Coloque los sujetadores del acelerador en el cable y después en el manubrio.
5. Instale la bolsa para los desperdicios en el recolector enganchando la abrazadera en la parte superior de la bolsa por encima del labio del recolector más cercano al motor. La tira "velcro" le será de ayuda para sostener la bolsa en su lugar. Coloque la abrazadera debajo del centro de los manubrios. Tire de la correa hacia la derecha hasta que la bolsa esté apretada e inmovilizada.
6. Abastezca el aceite para el motor, según el instructivo operativo del motor (anexo).
7. Llene el tanque del combustible, según el instructivo operativo del motor (anexo).

⚠ ADVERTENCIA ⚠ PELIGRO ⚠
NUNCA HAGA FUNCIONAR NI OPERE ESTA MÁQUINA SALVO QUE SE LE HAYA COLOCADO LA BOLSA PARA LOS DESPERDICIOS Y SE LE HAYA INSTALADO LA TOLVA DE ABSORCIÓN.

A. Uso del perno elevador

La aspiradora HPV de alto rendimiento de Little Wonder se surte con un perno elevador muy útil, mismo que podrá aprovecharse cuando sea necesario mover la unidad. Este perno elevador tiene una capacidad total de carga de 114 kg (250 lbs).

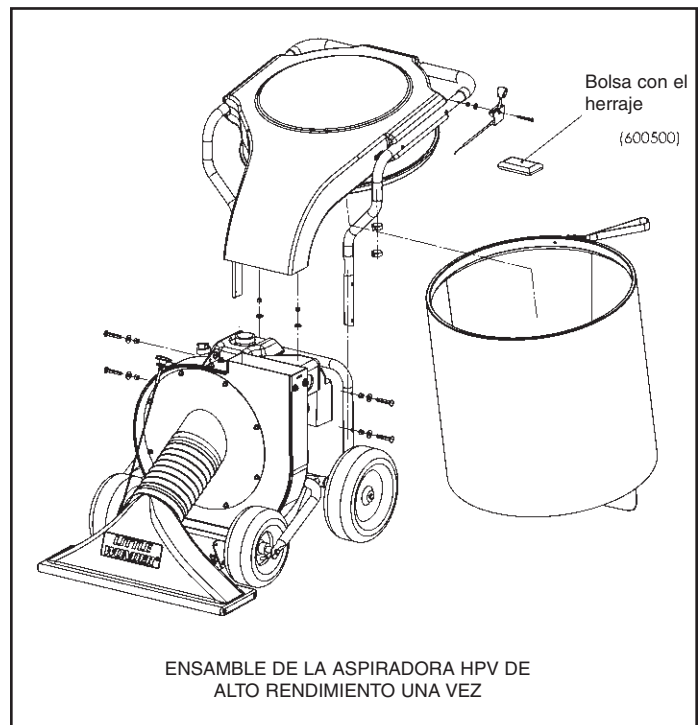
⚠ ADVERTENCIA ⚠ PELIGRO ⚠
NO UTILICE NI REPARE LA UNIDAD MIENTRAS ESTÉ SUSPENDIDA DEL PERNO ELEVADOR.

B. Antes de arrancar el motor, abastézcalo con aceite.

1. Little Wonder recomienda el uso de aceite SAE 30. El uso de aceite con viscosidad múltiple dará como resultado un mayor consumo de aceite y la posibilidad de dañar el motor.
2. Añádale combustible al tanque del combustible y todo estará listo para hacerla funcionar.

⚠ ADVERTENCIA ⚠ PELIGRO ⚠
MANEJE EL COMBUSTIBLE CON CUIDADO. ES ALTAMENTE INFLAMABLE. ABASTECERLE COMBUSTIBLE A UN MOTOR CALIENTE, O EN LAS CERCANÍAS DE UNA FUENTE DE IGNICIÓN PUDIERA PROVOCAR UN INCENDIO Y DAR COMO RESULTADO LESIONES PERSONALES Y/O DAÑOS A LOS BIENES DE SU PROPIEDAD.

Consulte las instrucciones en la sección "Operación y Mantenimiento" si desea obtener una descripción más detallada del tipo y cantidad de aceite y combustible que deberá usarse.



Operación

⚠ ADVERTENCIA ⚠ PELIGRO ⚠
EL OPERARIO DE ESTA ASPIRADORA HPV DE ALTO RENDIMIENTO SE RESPONSABILIZA DE LOS ACCIDENTES O PELIGROS A LOS QUE SE EXPONGA ÉL MISMO, OTRAS PERSONAS, O BIENES DE SU PROPIEDAD.

A. Arranque del motor

⚠ ADVERTENCIA ⚠ PELIGRO ⚠
EL COMBUSTIBLE ES SUMAMENTE INFLAMABLE. MANÉJELO CON CUIDADO. MANTÉNGALO ALEJADO DE LAS FUENTES DE IGNICIÓN. NO FUME MIENTRAS LE ABASTECE COMBUSTIBLE AL EQUIPO.

1. Abra la válvula de paso del combustible.
2. Cierre el estrangulador del carburador.
3. Coloque el acelerador en la posición "Run".
4. Tire de 1 a 3 veces de la soga del arrancador.
5. Espere a que el motor funcione unos cuantos segundos.
6. Abra el estrangulador del carburador.
7. Coloque el acelerador a su máxima velocidad.

⚠ ADVERTENCIA ⚠ PELIGRO ⚠
EL MOTOR EMITE MONÓXIDO DE CARBONO. NO LO HAGA FUNCIONAR NI LE ABASTEZCA COMBUSTIBLE EN UN LUGAR CERRADO.

B. Aspirado

1. Ajuste la tolva a la altura deseada haciendo girar la perilla de control de la tolva e inmovilícela con la tuerca de mariposa.
2. Haga pasar la aspiradora por encima del césped o las superficies pavimentadas. La aspiradora podrá recoger lo siguiente: hojas muertas, pequeñas ramas y retoños, bellotas, cardos, semillas en retoño, residuos del césped, paja, pedacería de corteza, musgo seco, basura, pequeñas latas y botellas, productos de papel y de poliestireno.
3. Evite que la aspiradora pase por encima de: superficies y desperdicios excesivamente húmedos, superficies con grava, objetos duros de gran tamaño, piedras, materiales largos y fibrosos (viñas, cuerdas, hilos, etc.). Evite insertar forzosamente cualquier cosa hacia el interior de la aspiradora.

⚠ ADVERTENCIA ⚠ PELIGRO ⚠
EVITE QUE SE ACUMULEN DESPERDICIOS TANTO EN LA MALLA PROTECTORA DEL ARRANCADOR CON RESORTE ANTAGÓNICO, COMO EN TODO EL MOTOR. NO HAGA FUNCIONAR EL MOTOR SI EN LA CERCANÍA DEL SILENCIADOR SE ACUMULARON DESPERDICIOS DE CÉSPED, TIERRA, HOJAS O CUALQUIER OTRO MATERIAL COMBUSTIBLE.

NO haga funcionar la unidad si ocurre alguna vibración excesiva ¡apague el motor inmediatamente! Desconecte el cable de la bujía y revise si se dañó el impelente, se aflojó el tornillo del impelente, la cuña del impelente está floja, o se albergó en el impelente algún cuerpo extraño.

C. Vaciado de la bolsa para los desechos

1. Interrumpa el funcionamiento del motor y espere a que se detenga totalmente antes de quitar la bolsa para los desechos.
2. Haga rodar la aspiradora hasta el lugar deseado para descargar la bolsa. (cúmulos de abono orgánico, guarnición de la acera, zona boscosa, lona, etc.)
3. Ejerza presión sobre la abrazadera para desprender la bolsa y colocarla en el piso. Evite arrastrar la bolsa sobre la superficie para prolongar la vida útil de la misma.
4. Vacíe el contenido de la bolsa para los desechos (la parte inferior de la bolsa contiene unas correas como medio de ayuda para volcar el contenido).
5. Vuelva a colocar la bolsa en el recolector.

D. Eliminación de los obstáculos en los componentes móviles

⚠ ADVERTENCIA ⚠ PELIGRO ⚠
INTERRUMPA EL FUNCIONAMIENTO DEL MOTOR, ANTES DE DESCONECTAR LA MANGUERA, Y CERCÍOARSE QUE TODOS LOS COMPONENTES MÓVILES SE HAYAN DETENIDO COMPLETAMENTE.

⚠ ADVERTENCIA ⚠ PELIGRO ⚠
CERCÍOARSE DE QUE EL ACCELERADOR ESTÉ EN LA POSICIÓN "STOP" Y LAS ASPAS DE LA TURBINA SE HAYAN DETENIDO COMPLETAMENTE.

⚠ ADVERTENCIA ⚠ PELIGRO ⚠
¡DESCONECTE EL CABLE DE LA BUJÍA ANTES DE HACER CUALQUIER LABOR DE LIMPIEZA O MANTENIMIENTO!

⚠ ADVERTENCIA ⚠ PELIGRO ⚠
USE GUANTES PARA HACER ESTO YA QUE LA OBSTACULIZACIÓN PUDIESE CONTENER OBJETOS PUNZOCORTANTES.

E. Reabastecimiento de combustible al motor

1. Interrumpa el funcionamiento del motor y espere unos cuantos minutos hasta que se enfríe y antes de abastecerle el combustible.

Almacenamiento y mantenimiento

A. Almacenamiento

1. Cuando la aspiradora HPV de alto rendimiento no esté en uso, almacénela bajo techo, en un área protegida (un lugar seco), en donde no esté fácilmente al alcance de los niños. Mantenga el acelerador en la posición “Stop”.
2. La aspiradora HPV de alto rendimiento, así como el combustible, no deberán conservarse en el interior de una casa ni en lugares con ventilación insuficiente.
3. No almacene el combustible en el interior del tanque del combustible durante más de 30 días.

B. Mantenimiento

Área	Cada vez que se use	Cada 5 horas	Después de las primeras 8 horas de uso	Cada 25 horas	Cada 50 horas
Motor	Consulte el Manual del Motor				
Revise que en el área del silenciador no se hayan acumulado los desperdicios.	✓				
Revise cualquier vibración excesiva.	✓				
Revise que no hayan componentes flojos o dañados.		✓			
Revise que esté limpia la tolva de absorción.	✓				
Revise las condiciones de las calcomanías.	✓				
Revise el nivel del aceite.		✓			
*Cambio del aceite.			✓		✓
Lave el purificador del aire.				✓	
Limpie y revise el parachispas de la bujía.					✓

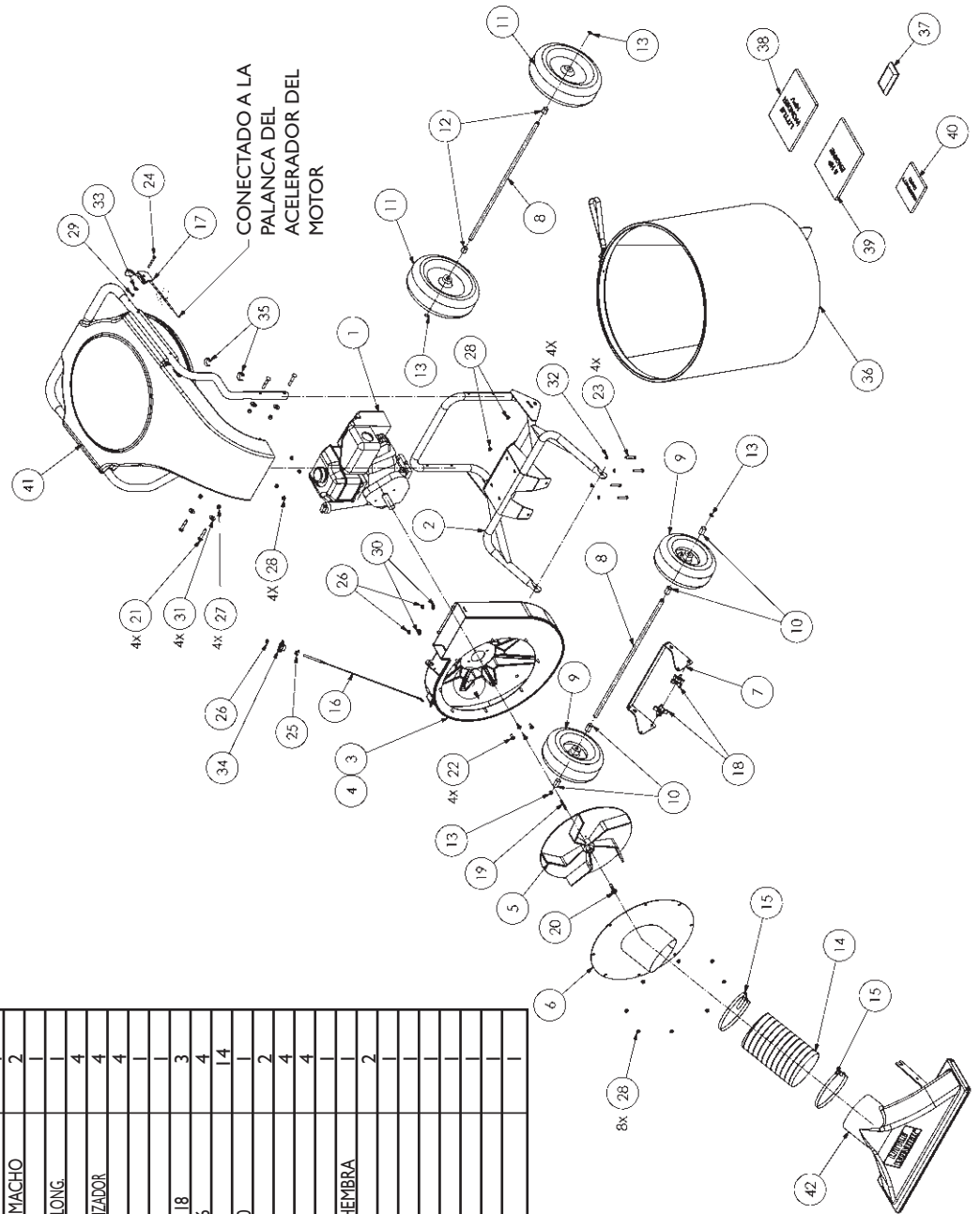
* Cambie el aceite cada 25 horas si se opera bajo condiciones de uso pesado o en ambientes con altas temperaturas.

** Consulte en el instructivo la sección “Operación y Mantenimiento” si desea obtener más detalles del programa de mantenimiento y servicio.

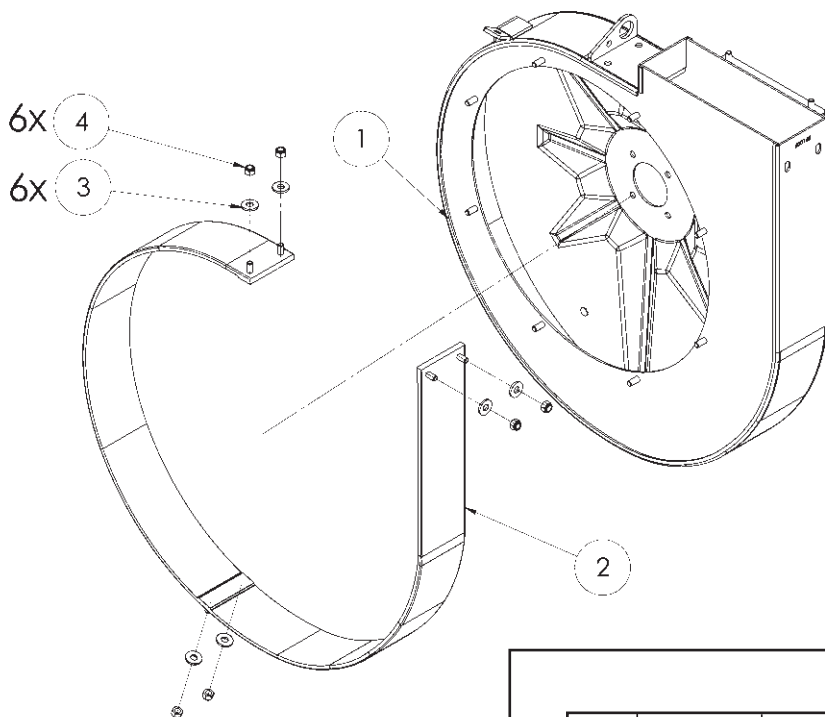
C. Instrucciones para desmontar y reinstalar la turbina.

1. Desconecte el cable de la bujía.
2. Desmonte el ensamble de la tolva de absorción.
3. Desmonte el ensamble de la placa delantera.
4. Destornille el tornillo que sujeta la turbina con el cigüeñal del motor.
5. La turbina tiene una tuerca de 19 mm (3/4 pulg.) - 16 soldada en el centro de la turbina. Inserte un tornillo de 19 mm - 16 (3/4 pulg.) con clasificación 5 (o mejor) y haga palanca o empuje hacia fuera la turbina (se recomienda el uso del tornillo extractor componente Little Wonder Núm. 910505).
6. Cambie la turbina dañada o desgastada e instale una nueva. Si durante la extracción de la turbina la cuña (Núm. 915) fue extraída de la ranura, reinstálela aplicándole unas cuantas gotas de adhesivo Loc-Tite 380 de secado rápido (“Black Max” Comp./Núm. 38050) a la cuña y después coloque la cuña en la ranura del eje. (El tiempo aproximado de fraguado es de 1 minuto).
7. Instale un tornillo nuevo (Núm. 910518) y termine con la instalación de la turbina. Cerciórese que al instalar la turbina, ésta esté firmemente inmovilizada.

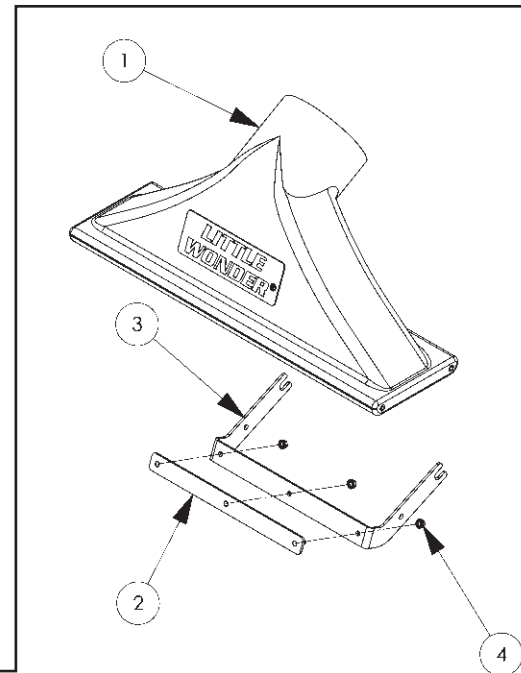
Clave Núm.	Comp. Núm.	Descripción	Cant.
1	910914	MOTOR INTEK DE 6 H.P.	1
2	600121	ARMAZON	1
3	600106	CARCASA - SIN AGUJEROS DEL REVESTIMIENTO	1
4	600148	CARCASA - CON AGUJEROS DEL REVESTIMIENTO	1
5	600114	IMPELENTE EQUILIBRADO	1
6	600118	ENSAMBLE DE LA PLACA DELANTERA	1
7	600151	INTERCONEXIÓN DEL EJE	1
8	600135	EJE	2
9	934	RUEDA - 10 PULG.	2
10	600136	ESPACIADOR - RUEDA DELANTERA	4
11	970300	RUEDA - 12 PULG.	2
12	600137	ESPACIADOR - RUEDA TRASERA	2
13	312	ANILLO CON RESORTE - 5/8 PULG. DIÁM.	4
14	600102	MANGUERA - TOIVA - 7 PULG. DIÁM X 11 PULG. LARGO	1
15	720420	ABRAZADERA - MANGUERA - 7 PULG. DIÁ.	2
16	600104	CABLE DE CONTROL DE LA TOIVA	1
17	600103	CABLE DE CONTROL DEL ACCELERADOR	1
18	600152	PERILLA - SOPORTE DE LA TOIVA - 5/16 PULG. - 18 LONG. MACHO	2
19	915	CUNA CUADRADA - 1/4 PULG. X 2 PULG. LONG.	1
20	910518	TORNILLO DE LA TURBINA. BRIDA ESTRIADA. 3/8 PULG. - 24 X 1 1/2 PULG. LONG.	1
21	600504	TORNILLO. CARRO. 3/8 PULG. - 16 X 2 1/4 PULG. CLAS. 5	4
22	910503	TORNILLO. BRIDA ESTRIADA. 5/16 PULG. - 24 X 3/4 PULG. LONG. PERNO INMOVILIZADOR	4
23	942	TORNILLO HEXAGONAL. 1/4 PULG. - 20 X 1 1/4 PULG.	4
24	600505	TORNILLO HEXAGONAL. 1/4 PULG. - 20 X 2 1/4 PULG.	1
25	600507	TUERCA - MARIPOSA - 5/16 PULG. - 18	1
26	114C	TUERCA - CONTRATUERCA DE NYLON - 5/16 PULG. - 18	3
27	720518	TUERCA - CONTRATUERCA DE NYLON - 3/8 PULG. - 16	4
28	114B	TUERCA - BRIDA DENTADA - 5/16 PULG. - 18	14
29	600506	TUERCA - CONTRATUERCA DE NYLON - 1/4 PULG. - 20	1
30	720511	ARANDELA PLANA - 5/16 PULG. USS	2
31	720516	ARANDELA PLANA - 3/8 PULG. USS	4
32	129D	ARANDELA - PRESIÓN RANURADA - 5/16 PULG.	4
33	720510	ARANDELA PLANA - 1/4 PULG. USS	1
34	600162	PERILLA - CONTROL DE LA TOIVA - 5/16 PULG. - 18 - HEMBRA	1
35	600160	SUJETADOR - CABLE DEL ACCELERADOR - 1 1/4 PULG.	2
36	600105	BOLSA DE LOS DESECHOS	1
37	600500	BOLSA CON HERRAJES	1
38	600700	MANUAL DEL PROPIETARIO	1
39	N/A	MANUAL DEL MOTOR	1
40	16-102	TARJETA DE LA GARANTÍA	1
41	SEE DETAIL	ENSAMBLE DEL RECOLECTOR	1
42	SEE DETAIL	ENSAMBLE DE LA TOIVA	1



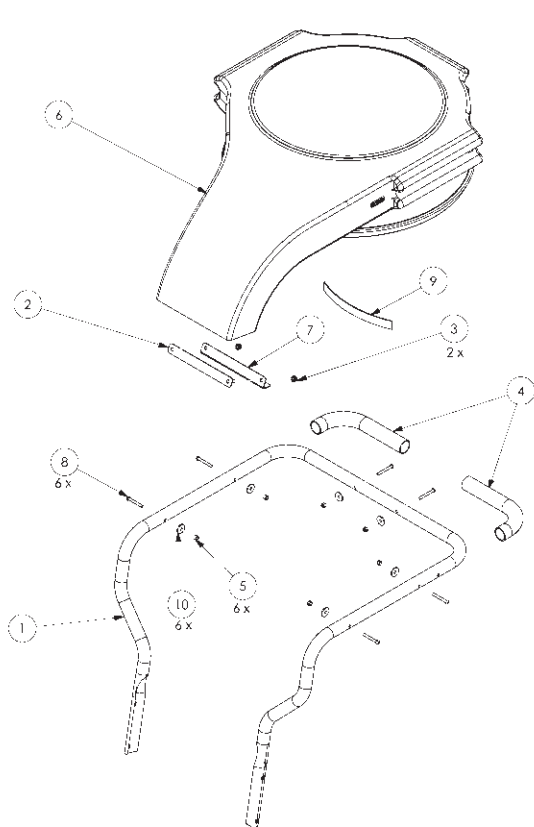
Clave Núm.	Comp. Núm.	Descripción	Cant.
1	600148	Ensamble de la carcasa – con agujeros del revestimiento	1
2	600155	Ensamble del revestimiento	1
3	720511	Arandela plana – 5/16 pulg. USS	6
4	114C	Tuercas – Contratuerca de nylon – 5/16 pulg. -18	6



(Solamente el Modelo 5610)



Clave Núm.	Comp. Núm.	Descripción	Cant.
1	600100	TOLVA	1
2	600133	ENSAMBLE DE LA PLACA DE LA ABRAZADERA DE LA TOLVA	1
3	600132	SOPORTE DE LA TOLVA	1
4	114B	TUERCA – BRIDA DENTADA – 5/16 PULG. - 18	3



ENSAMBLE DEL RECOLECTOR

ENSAMBLE DE LA TOLVA

Clave Núm.	Comp. Núm.	Descripción	Cant.
1	600130	MANUBRIO	1
2	600142	PLACA DE LA ABRAZADERA DE LA BRIDA	1
3	114B	TUERCA – BRIDA DENTADA – 5/16 PULG. - 18	2
4	600153	MANUBRIO	2
5	600506	TUERCA – CONTRATUERCA DE NYLON – 1/4 PULG. -20	6
6	600101	RECOLECTOR DE LA DESCARGA	1
7	600138	BRIDA INCLINADA - RECOLECTOR	1
8	600509	TORNILLO CABEZA DE CUBO – BOTÓN 1/4 PULG. – 20 X 2 PULG. LONG.	6
9	600161	CINCHO CON GANCHO	1
10	600518	ARANDELA – RECOLECTOR – 1/4 PULG.	6

PÓLIZA DE SERVICIO Y GARANTÍA LIMITADA A 1 AÑO PARA LAS ASPIRADORAS HPV DE ALTO RENDIMIENTO

La aspiradora HPV de alto rendimiento **Little Wonder**, está garantizada contra defectos en sus materiales y mano de obra por un lapso de UN AÑO a partir de la fecha de su adquisición, siempre y cuando su uso sea para el SERVICIO RESIDENCIAL, o COMERCIAL. Cualesquiera de los componentes de la aspiradora HPV de alto rendimiento **Little Wonder** que se determinen estar defectuosos dentro del periodo de la garantía, deberán ser devueltos a cualquier Distribuidor Little Wonder registrado.

Los motores instalados en todos los productos con motores a gasolina están garantizados durante un año y por separado, a través del fabricante de dicho motor. Por lo tanto, no se hace garantía alguna, ya sea expresa o implícita, para los motores a gasolina instalados en los productos de **Little Wonder**.

El costo de la transportación de los componentes y las unidades enviadas para su reparación bajo esta garantía deberá ser cubierto por el adquiriente.

ESTA GARANTÍA no surtirá efecto alguno si el producto ha sido sujeto al mal uso, negligencia o accidente, o si el producto ha sido reparado o alterado fuera de nuestra fábrica en Southhampton bajo cualquier circunstancia que afecte sus condiciones u operación.

Little Wonder no asumirá la responsabilidad que resulte de cualesquiera daños especiales, indirectos, o consecuenciales debido a cualquier equipo que se determine estar defectuoso. Cualquier garantía implícita, que incluya la comerciabilidad o adaptación para un propósito en particular, no se extenderá más allá de la vigencia de lo manifestado en la garantía.

ESTA GARANTÍA solamente entrará en vigor si la tarjeta de Registro y/o Garantía que se anexa es llenada apropiadamente y devuelta a **Little Wonder**, Div. Of Schiller-Pfeiffer, Inc., al momento de su adquisición.



ES DEL CONOCIMIENTO DEL ESTADO DE CALIFORNIA QUE EL HUMO DEL ESCAPE DEL MOTOR INSTALADO EN ESTE PRODUCTO CONTIENE PRODUCTOS QUÍMICOS QUE CAUSAN CÁNCER, DEFECTOS EN EL NACIMIENTO, O CUALQUIER OTRA CLASE DE LESIONES EN EL SISTEMA REPRODUCTOR.

LITTLE WONDER®

DIVISION OF SCHILLER-PFEIFFER, INCORPORATED

1028 STREET ROAD, P.O. BOX 38

SOUTHAMPTON, PA 18966

Teléfono 877-596-6337 • FAX 215-357-8045

877-LWONDER

www.littlewonder.com

P/N 600700

08/04

Las especificaciones, descripciones y material ilustrativo en este material impreso son de la manera más exacta posible hasta el momento de su publicación, no obstante lo anterior, quedan sujetas a modificaciones sin previo aviso.

Table des matières

Informations importantes

Introduction	1
Informations sur l'entretien	1
Informations particulières sur la sécurité	1

Déballage

Informations sur le déballage	2
-------------------------------	---

Sécurité et avertissements

Décalcomanies de sécurité	2-3
---------------------------	-----

Consignes générales de sécurité

Avertissements – Ce qu'il ne faut pas faire	4
Avertissements – Ce qu'il faut faire	4-5
Avertissements concernant le moteur et le carburant – Ce qu'il ne faut pas faire	5
Avertissements concernant le moteur et le carburant – Ce qu'il faut faire	5

Consignes d'assemblage

Utilisation de l'oreille de levage	6
Ajout d'huile dans le moteur avant démarrage	6

Consignes d'utilisation

Démarrage du moteur	7
Passage de l'aspirateur	7
Vidage de sac à déchets	7
Élimination des blocages dans les pièces mobiles	7
Remplissage du réservoir de carburant	7

Rangement et entretien

Rangement	8
Entretien	8
Démontage du ventilateur	9

Nomenclature des pièces

Nomenclature des assemblages	10
Nomenclature des sous-ensembles HPV	11

Garanties

Garantie	Couverture arrière
----------	--------------------

Informations importantes

A. Introduction

De la part de tout le personnel de **Little Wonder**, nous tenons à vous remercier de votre achat d'un aspirateur haute performance **Little Wonder**. Cet appareil de ramassage des déchets a été conçu suivant les normes les plus strictes afin de vous assurer de nombreuses heures d'utilisation sans incident.

Ce manuel contient les informations nécessaires à une utilisation et un entretien sûrs et efficaces. Pour votre sécurité, il est extrêmement important que vous lisiez et compreniez le manuel dans son intégralité avant d'utiliser l'appareil.

Caractéristiques techniques :

Modèle	Poids à sec	Rotation maxi.
5600	182 lbs. (82,500 kg)	3400
5610	184 lbs. (83,400 kg)	3400

B. Informations sur l'entretien

Aspirateur haute performance

Faire appel au revendeur local **Little Wonder**.

Moteur

sous les rubriques « Fournitures de matériel de pelouses et jardins », « Entretien des pelouses » ou « Tondeuses à gazon ». Le revendeur aura besoin de connaître le modèle et le numéro de série de votre moteur. Pour leur emplacement, veuillez consulter le manuel d'utilisation fourni avec votre moteur. Faire appel à un revendeur agréé Briggs & Stratton. Vous trouverez une liste des revendeurs dans les Pages jaunes,

C. Informations particulières sur la sécurité

▲ AVERTISSEMENT ▲ DANGER ▲
ATTENTION : CE SYMBOLE ATTIRE VOTRE ATTENTION SUR D'IMPORTANTES CONSIGNES DE SÉCURITÉ.
▲ LORSQUE VOUS VOYEZ CE SYMBOLE, ▲
TENEZ COMPTE DE L'AVERTISSEMENT ! SOYEZ VIGILANT !

▲ AVERTISSEMENT ▲ DANGER ▲
POUR RÉDUIRE LES RISQUES D'ACCIDENTS, RESPECTER LES CONSIGNES DE SÉCURITÉ FIGURANT DANS CE MANUEL. LE NON-RESPECT DE CES CONSIGNES PEUT ENTRAÎNER DES DOMMAGES CORPORELS ET MATÉRIELS GRAVES.

▲ AVERTISSEMENT ▲ DANGER ▲
L'ÉCHAPPEMENT DU MOTEUR DE CE PRODUIT CONTIENT DES PRODUITS CHIMIQUES DÉCLARÉS PAR L'ÉTAT DE LA CALIFORNIE RESPONSABLES DE CANCER, MALFORMATIONS CONGÉNITALES OU AUTRES ANOMALIES DE LA REPRODUCTION.

Déballage

1. Enlever le collecteur et le sac à déchets de la partie supérieure de l'emballage
2. Enlever le séparateur en carton.
3. Découper et replier vers le bas la paroi latérale de la boîte.
4. Faire rouler la base de l'aspirateur hors de la boîte.

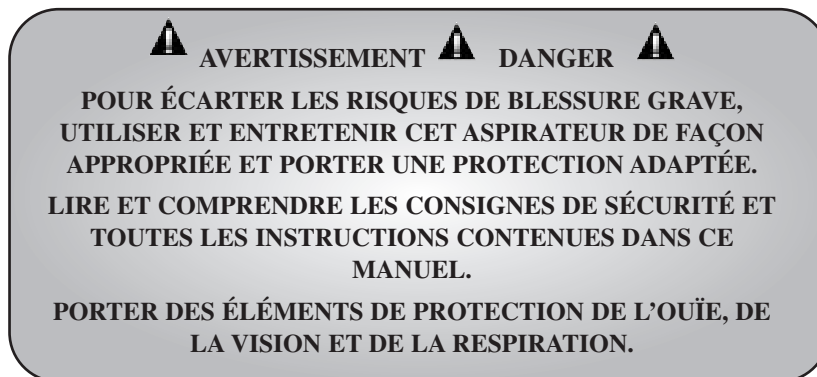
Sécurité et avertissements

A. Décalcomanies de sécurité

Les décalcomanies d'avertissement et d'information qu'on trouve sur différentes parties de cet aspirateur constituent une partie importante du système de sécurité.

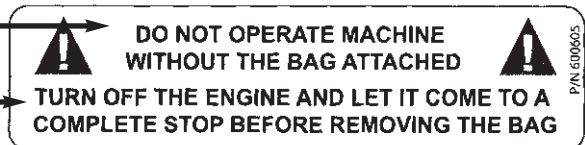
Ces décalcomanies (ou étiquettes) doivent être remplacées si elles deviennent illisibles par suite d'abrasion ou pour toute autre raison.

Vous devez les remplacer lorsqu'elles deviennent difficiles à lire. Leur emplacement et leur numéro de référence pour la commande sont indiqués à la page 3.



NE PAS FAIRE FONCTIONNER L'APPAREIL LORSQUE SON SAC N'EST PAS EN PLACE.

ARRÊTER LE MOTEUR ET LE LAISSER S'IMMOBILISER COMPLÈTEMENT AVANT DE RETIRER LE SAC.



N° de référence 600605
Décalcomanie d'avertissement



Garder les mains et les pieds à l'écart des décharges d'air. Le ventilateur rotatif cause des blessures graves.

Avant d'effectuer quelque intervention de service ou d'entretien que ce soit, débrancher le fil de bougie. S'assurer que l'accélérateur est à la position d'arrêt.

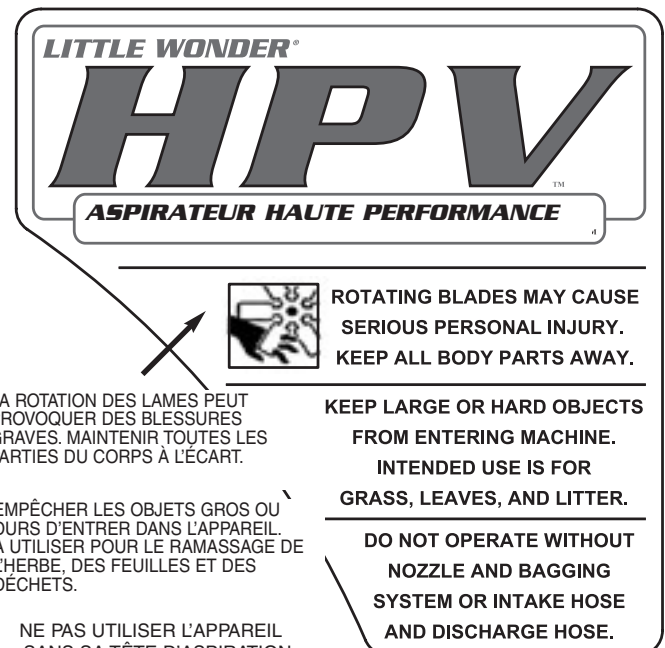
Il importe de lire et de comprendre le manuel d'utilisation. Garder le manuel d'utilisation en lieu sûr.

Attention : Projection d'objets.

Garder les spectateurs à l'écart.

Toujours porter des éléments de protection de la vision, de l'ouïe et de la respiration.

N° de référence 600602
Décalcomanie d'avertissement



LA ROTATION DES LAMES PEUT PROVOQUER DES BLESSURES GRAVES. MAINTENIR TOUTES LES PARTIES DU CORPS À L'ÉCART.

EMPÊCHER LES OBJETS GROS OU DURS D'ENTRER DANS L'APPAREIL. À UTILISER POUR LE RAMASSAGE DE L'HERBE, DES FEUILLES ET DES DÉCHETS.

NE PAS UTILISER L'APPAREIL SANS SA TÊTE D'ASPIRATION ET DISPOSITIF DE MISE EN SAC OU SANS SON TUYAU D'ASPIRATION ET TUYAU DE REFOULEMENT.

KEEP LARGE OR HARD OBJECTS FROM ENTERING MACHINE. INTENDED USE IS FOR GRASS, LEAVES, AND LITTER.

DO NOT OPERATE WITHOUT NOZZLE AND BAGGING SYSTEM OR INTAKE HOSE AND DISCHARGE HOSE.

N° de référence 600604


Sécurité et avertissements

! DO NOT OPERATE MACHINE WITHOUT THE BAG ATTACHED **!**
TURN OFF THE ENGINE AND LET IT COME TO A COMPLETE STOP BEFORE REMOVING THE BAG

P/N: 600605

N° de référence 600605
Décalcomanie d'avertissement

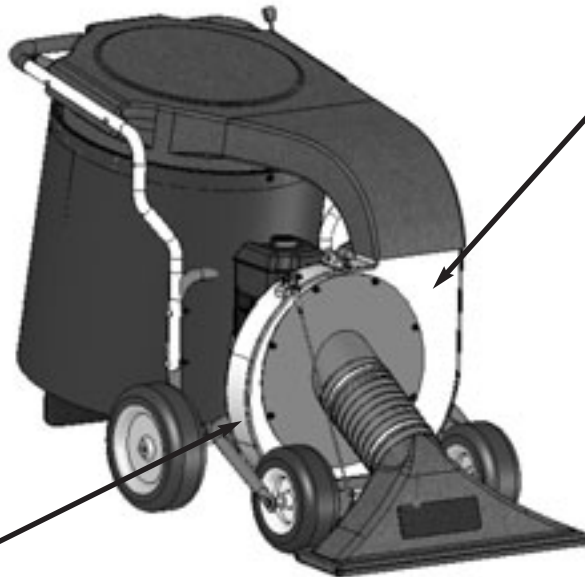
LITTLE WONDER®
HPV
ASPIRATEUR HAUTE PERFORMANCE

 ROTATING BLADES MAY CAUSE SERIOUS PERSONAL INJURY. KEEP ALL BODY PARTS AWAY.

KEEP LARGE OR HARD OBJECTS FROM ENTERING MACHINE. INTENDED USE IS FOR GRASS, LEAVES, AND LITTER.

DO NOT OPERATE WITHOUT NOZZLE AND BAGGING SYSTEM OR INTAKE HOSE AND DISCHARGE HOSE.

N° de référence 600604



DANGER
KEEP HANDS and FEET AWAY



N° de référence 600602
Décalcomanie d'avertissement

Consignes générales de sécurité

1. Prendre le temps de lire et de comprendre ce manuel.
2. Porter des éléments de protection de la vision, de l'ouïe et de la respiration, ainsi que des chaussures et vêtements adaptés
3. Pendant le fonctionnement de l'appareil, veiller à toujours se trouver dans une position sûre en conservant à tout moment une posture ferme et un bon équilibre.
4. Éviter de travailler en présence d'enfants, d'animaux domestiques et de curieux.
5. Ne jamais tenter d'utiliser un appareil qui est incomplet ou qui a fait l'objet d'une modification non autorisée.
6. Éviter le contact et l'inhalation des liquides, brouillards, poussières et gaz dangereux.
7. Ne pas autoriser les enfants à utiliser l'appareil.
8. Ne pas contourner ni enlever les dispositifs de sécurité.

AVERTISSEMENT DANGER

9. LE VENTILATEUR CONTINUE À TOURNER PENDANT UN MOMENT APRÈS L'ARRÊT DU MOTEUR.

AVERTISSEMENT DANGER

10. VENTILATEUR TOURNANT. NE PAS ESSAYER D'ENLEVER DES MATIÈRES PRISES DANS LE COLLECTEUR OU L'ÉCHAPPEMENT LORSQUE L'APPAREIL EST EN FONCTIONNEMENT OU LORSQUE LE VENTILATEUR TOURNE.

11. Maintenir les mains à l'écart de l'orifice d'entrée du tuyau et de la goulotte d'éjection.
12. Débrancher la bougie avant tout nettoyage ou entretien.
13. Porter dans gants pour la protection des mains.
14. Être conscient du fait que l'appareil est bruyant et peut empêcher la communication de la parole pendant son fonctionnement normal.

A. Avertissements – Ce qu'il ne faut pas faire

Ne pas essayer d'enlever des matières prises dans le collecteur ou l'éjecteur lorsque l'appareil est en fonctionnement ou lorsque le ventilateur tourne.

Ne pas installer de constituants, ni en enlever, pendant le fonctionnement de l'appareil. Ne pas oublier d'arrêter le moteur avant tout changement de configuration. S'assurer que l'accélérateur est en position d'arrêt et que l'appareil est complètement arrêté. Débrancher le fil de bougie avant d'enlever toute matière.

Ne pas essayer de réparer cet appareil. Confier les réparations à un revendeur Little Wonder ou technicien qualifié. S'assurer que seules des pièces de rechange Little Wonder et des pièces de rechange recommandées par le constructeur du moteur sont utilisées.

 AVERTISSEMENT  DANGER 
NE PAS FUMER PENDANT LE REMPLISSAGE DU RÉSERVOIR DE CARBURANT.

Ne pas laisser le moteur en marche pendant que l'appareil est sans surveillance.

Ne pas stocker, renverser ni utiliser d'essence à proximité d'une flamme ou d'une source d'étincelles.

B. Avertissements – Ce qu'il faut faire

S'habiller adéquatement. Ne pas porter de vêtements flottants ni de bijoux. Ils peuvent être happés par les pièces en mouvement. L'utilisation de gants robustes, de chaussures antidérapantes et de lunettes de sécurité est recommandée. Toujours porter des protecteurs auditifs lorsque cela est possible. Utiliser un filtre facial pour ne pas respirer la poussière.

Rester toujours vigilant. Faire attention à ce que l'on fait et faire preuve de discernement. Ne pas utiliser l'appareil lorsqu'on est fatigué.

Maintenir en toutes circonstances les mains à l'écart de la prise d'air et de la goulotte d'éjection. Maintenir les deux mains sur le guidon lorsque l'appareil est en marche.

Entretenir et examiner systématiquement l'appareil avec beaucoup de soin. Suivre les instructions d'entretien données dans le manuel.

 AVERTISSEMENT  DANGER 
NE PAS UTILISER L'APPAREIL SI LE SILENCIEUX EST ENDOMMAGÉ OU ABSENT.




B. Advertencias – “Hacer siempre” – continuación




Ranger l'appareil à l'intérieur. Lorsqu'il n'est pas utilisé, conserver l'appareil dans un endroit abrité (au sec) où il n'est pas accessible aux enfants. L'appareil et le carburant ne doivent pas être rangés à l'intérieur d'une habitation. Garder l'accélérateur en position d'arrêt.

Vérifier toujours que l'appareil est complètement assemblé. Ne jamais le faire fonctionner si les protections et les déflecteurs ne sont pas en place. S'assurer que tous les écrous, boulons et vis sont à leur place et bien serrés.

Garder toujours l'accélérateur en position d'arrêt lorsque l'appareil n'est pas en usage.

Garder une distance sûre entre plusieurs opérateurs qui travaillent ensemble.

 **AVERTISSEMENT**  **DANGER** 
SI L'APPAREIL EST UTILISÉ DE MANIÈRE INAPPROPRIÉE OU SI LES CONSIGNES DE SÉCURITÉ NE SONT PAS SUIVIES, L'UTILISATEUR S'EXPOSE ET EXPOSE LES AUTRES À UN RISQUE DE BLESSURE GRAVE.
PRENDRE LE TEMPS DE LIRE ET DE COMPRENDRE CE QUI SUIT AVANT DE FAIRE FONCTIONNER CET APPAREIL.

 **AVERTISSEMENT**  **DANGER** 
MANIPULER LE CARBURANT AVEC PRÉCAUTION. IL EST TRÈS INFLAMMABLE. POUR ÉCARTER LES RISQUES D'INCENDIE ET DE DOMMAGES CORPORELS ET MATÉRIELS GRAVES, NE PAS REMPLIR LE RÉSERVOIR SI LE MOTEUR EST CHAUD OU S'IL SE TROUVE À PROXIMITÉ D'UNE SOURCE D'INFLAMMATION.

C. Avertissements concernant le moteur et le carburant – Ce qu'il ne faut pas faire

Ne pas faire le plein de carburant ni en vérifier le niveau lorsque l'on fume ou qu'on se trouve à proximité d'une flamme nue ou autre source d'inflammation. Arrêter le moteur et s'assurer qu'il est froid avant de refaire le plein.

Ne pas laisser le moteur en marche pendant que l'appareil est sans surveillance. Arrêter le moteur avant de transporter l'appareil d'un endroit à un autre.

Ne pas mettre cet appareil en marche ni le faire fonctionner à l'intérieur ou dans un endroit mal aéré car

il émet du monoxyde de carbone et autres gaz toxiques.

Ne pas faire fonctionner le moteur si le système d'allumage provoque des étincelles à l'extérieur du cylindre. Durant les vérifications périodiques de la bougie, maintenir la bougie à une distance suffisante du cylindre pour éviter d'enflammer le carburant s'évaporant du cylindre.

Ne pas vérifier la production d'étincelles avec la bougie ou le fil de bougie enlevé et mis à la terre. Utiliser un dispositif d'essai homologué. Les étincelles peuvent enflammer les vapeurs d'essence.

Ne pas faire fonctionner le moteur en présence d'une odeur d'essence ou autre possibilité d'explosion.

Ne pas faire fonctionner la machine en cas de présence d'un déversement d'essence. Nettoyer complètement l'essence déversée avant de mettre le moteur en marche.

Ne pas faire le plein de carburant à l'intérieur ou dans un endroit mal aéré.

Ne pas faire fonctionner l'appareil en cas d'accumulation de déchets autour du silencieux ou des ailettes de refroidissement.

Pour éviter les brûlures graves, **ne pas** toucher les silencieux, ailettes de refroidissement ou cylindres chauds.

D. Avertissements concernant le moteur et le carburant – Ce qu'il faut faire

Toujours utiliser de l'essence fraîche. L'utilisation d'essence viciée peut causer des fuites.

Tirer le cordon du démarreur lentement jusqu'à ce qu'une résistance se fasse sentir. Tirer ensuite le cordon rapidement pour éviter les rebonds et prévenir des blessures au bras ou à la main.

L'utilisation de silencieux à pare-étincelles est requise par la loi de l'État de la Californie (article 4442 du Code des ressources publiques de la Californie), ainsi que dans d'autres États et municipalités. La loi fédérale américaine s'applique sur les territoires fédéraux américains.

Manipuler le carburant avec précaution ; il est très inflammable. Ne jamais ajouter de carburant dans le réservoir d'une machine dont le moteur est chaud ou en marche. Ne pas inhaler les vapeurs de carburant, car elles sont toxiques.

Le système d'allumage par étincelle satisfait toutes les exigences des règlements canadiens sur le matériel causant des interférences.

Consignes d'assemblage

1. Boulonner le collecteur sur le châssis à l'aide des 4 jeux de boulons munis de leur rondelle et de leur écrou.
2. Faire glisser le collecteur d'éjection sur le châssis et en fixer la bride à l'aide des 2 rondelles et des 2 écrous fournis.
3. Monter le levier de commande de l'accélérateur sur le guidon à l'aide du boulon, de la rondelle et de l'écrou fournis.
4. Fixer les clips du câble de l'accélérateur et fixer le câble sur le guidon.
5. Monter le sac à déchets sur le collecteur en accrochant la boucle de la partie supérieure du sac sur la lèvre du collecteur à l'endroit le plus proche du moteur. Une bande adhésive maintient le sac en position. Placer la boucle au-dessous du point central entre les poignées. Tirer la sangle vers la gauche jusqu'à ce que le sac soit serré et bien fixé.
6. Remplir le réservoir d'huile moteur conformément aux instructions fournies pour le moteur.
7. Remplir le réservoir d'essence du moteur conformément aux instructions fournies pour le moteur.

⚠ AVERTISSEMENT ⚠ DANGER ⚠

NE JAMAIS FAIRE FONCTIONNER L'APPAREIL SI LE SAC À DÉCHETS N'EST PAS EN PLACE OU SI LA TÊTE D'ASPIRATION N'EST PAS INSTALLÉE.

A. Utilisation de l'oreille de levage

L'aspirateur haute performance Little Wonder est doté d'une oreille de levage pratique qu'on peut utiliser pour le déplacer. Cette oreille de levage peut supporter un poids total de 114 kg (250 lb).

⚠ AVERTISSEMENT ⚠ DANGER ⚠

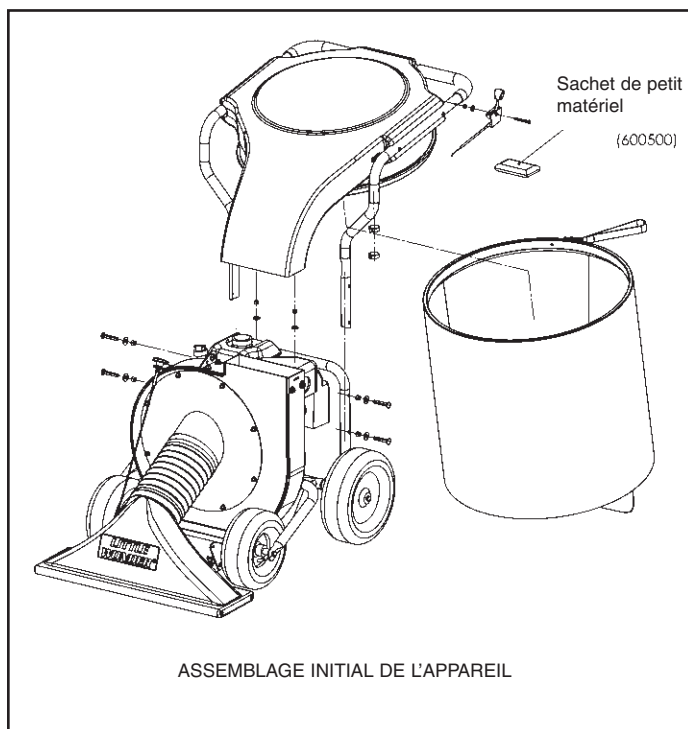
NE PAS FAIRE FONCTIONNER NI ENTRETENIR L'APPAREIL LORSQU'IL EST SUSPENDU PAR L'OREILLE DE LEVAGE.

B. Ajout d'huile dans le moteur avant démarrage

1. Little Wonder recommande l'utilisation d'huile SAE 30. L'utilisation d'huile à viscosité multiple provoquerait une forte consommation d'huile et endommagerait le moteur.
2. Après remplissage du réservoir d'essence, l'appareil est prêt à être mis en marche.

⚠ AVERTISSEMENT ⚠ DANGER ⚠
MANIPULER LE CARBURANT AVEC PRÉCAUTION. IL EST TRÈS INFLAMMABLE. POUR ÉCARTER LES RISQUES D'INCENDIE ET DE DOMMAGES CORPORELS ET MATÉRIELS GRAVES, NE PAS REMPLIR LE RÉSERVOIR SI LE MOTEUR EST CHAUD OU S'IL SE TROUVE À PROXIMITÉ D'UNE SOURCE D'INFLAMMATION.

Consulter les instructions sur le fonctionnement et l'entretien du moteur pour une description plus détaillée des types et quantités d'huile et d'essence à utiliser.



Consignes d'utilisation

▲ AVERTISSEMENT ▲ DANGER ▲

L'UTILISATEUR DE CET APPAREIL EST RESPONSABLE DES ACCIDENTS OU DES DANGERS ENVERS LUI-MÊME, LES AUTRES ET POUR LES BIENS MATÉRIELS.

A. Démarrage du moteur

▲ AVERTISSEMENT ▲ DANGER ▲

LE CARBURANT EST EXTRÊMEMENT INFLAMMABLE. LE MANIPULER AVEC PRÉCAUTION. LE GARDER À L'ÉCART DE TOUTE SOURCE D'INFLAMMATION. NE PAS FUMER DURANT LE REMPLISSAGE DU RÉSERVOIR.

1. Ouvrir le robinet d'arrivée d'essence.
2. Ouvrir le volet de départ.
3. Placer l'accélérateur sur la position de fonctionnement.
4. Tirer sur le cordon du démarreur une à trois fois.
5. Laisser le moteur démarrer.
6. Fermer le volet de départ.
7. Placer l'accélérateur sur la position de puissance maximale.

▲ AVERTISSEMENT ▲ DANGER ▲

LE MOTEUR ÉMET DU MONOXYDE DE CARBONE. NE PAS FAIRE FONCTIONNER L'APPAREIL NI REMPLIR SON RÉSERVOIR D'ESSENCE DANS UN ENDROIT CONFINÉ.

B. Passage de l'aspirateur

1. Régler la tête d'aspiration à la hauteur désirée en tournant le bouton de commande, puis fixer sa position à l'aide de l'écrou à oreilles.
2. Aspirer les déchets de la pelouse ou de la surface artificielle. On peut aspirer les matières suivantes : feuilles, brindilles et rameaux, glands, chardons, gousses, tontes de gazon, paille, copeaux, paillis sec, litière, petites canettes et bouteilles, articles en papier et articles en mousse de polystyrène.
3. Ne pas utiliser en présence des conditions suivantes : surfaces et déchets trop mouillés, surfaces couvertes de gravier, gros objets durs, pierres, longs objets fibreux (liane, corde, ficelle, etc.) Ne pas faire entrer un objet de force dans l'aspirateur.

▲ AVERTISSEMENT ▲ DANGER ▲

MAINTENIR LA GRILLE DU LANCEUR ET TOUT LE MOTEUR EXEMPTS DE TOUT DÉCHET. NE PAS FAIRE FONCTIONNER LE MOTEUR EN PRÉSENCE D'UNE ACCUMULATION D'HERBE, DE SALETÉ, DE FEUILLES OU AUTRE MATIÈRE COMBUSTIBLE PRÈS DU SILENCIEUX.

7.

NE PAS faire fonctionner l'appareil s'il vibre de manière excessive ; arrêter immédiatement le moteur ! Débrancher le fil de bougie et déterminer si le rotor est endommagé, si un de ses boulons est desserré, si sa clavette est lâche ou si un corps étranger s'est logé dans l'appareil.

C. Vidage du sac à déchets

1. Arrêter le moteur et le laisser revenir complètement au repos avant d'enlever le sac à déchets.
2. Faire rouler l'aspirateur jusqu'à l'endroit de décharge désiré (tas de compost, bord du trottoir, zone boisée, bâche, etc.)
3. Appuyer sur la boucle pour faire tomber le sac sur le sol. Pour ne pas réduire la durée de vie du sac, éviter de le traîner sur le sol.
4. Vider le contenu du sac à déchets (des sangles-poignées se trouvent à la partie inférieure du sac pour en faciliter le vidage).
5. Replacer le sac sur le collecteur.

D. Élimination des blocages dans les pièces mobiles

▲ AVERTISSEMENT ▲ DANGER ▲

ARRÊTER LE MOTEUR AVANT DE DÉBRANCHER LE TUYAU ET VÉRIFIER QUE TOUTES LES PIÈCES MOBILES ONT CESSÉ DE BOUGER..

▲ AVERTISSEMENT ▲ DANGER ▲

S'ASSURER QUE L'ACCELÉRATEUR EST EN POSITION D'ARRÊT ET QUE LE VENTILATEUR S'EST ARRÊTÉ COMPLÈTEMENT.

▲ AVERTISSEMENT ▲ DANGER ▲

DÉBRANCHER LE FIL DE BOUGIE AVANT TOUT NETTOYAGE OU ENTRETIEN.

▲ AVERTISSEMENT ▲ DANGER ▲

PORTER DES GANTS, CAR L'OBSTRUCTION PEUT CONTENIR DES OBJETS COUPANTS.

E. Remplissage du réservoir d'essence

1. Arrêter le moteur et le laisser refroidir quelques minutes avant de remplir le réservoir d'essence.

Rangement et entretien

A. Rangement

1. Lorsqu'il n'est pas utilisé, conserver l'appareil dans un endroit abrité (au sec) qui n'est pas accessible aux enfants. Garder l'accélérateur en position d'arrêt.
2. L'appareil et le carburant ne doivent pas être rangés à l'intérieur d'une habitation ou d'un endroit confiné.
3. Ne pas garder le carburant dans le réservoir de l'appareil pendant plus de 30 jours.

B. Entretien

Domaine	À chaque utilisation	Toutes les 5 heures	Après les 8 premières heures d'utilisation	Toutes les 25 heures	Toutes les 50 heures
Moteur	Voir le manuel du moteur				
Vérifier l'absence d'une accumulation de déchets à proximité du silencieux.	✓				
Vérifier que l'appareil ne vibre pas de manière excessive.	✓				
Vérifier qu'aucune pièce n'est desserrée ou endommagée.		✓			
Vérifier la propreté de la tête d'aspiration.	✓				
Vérifier la condition des décalcomanies.	✓				
Vérifier le niveau d'huile.		✓			
*Changer l'huile.			✓		✓
Nettoyer le filtre à air.				✓	
Nettoyer et inspecter le pare-étincelles de la bougie.					✓

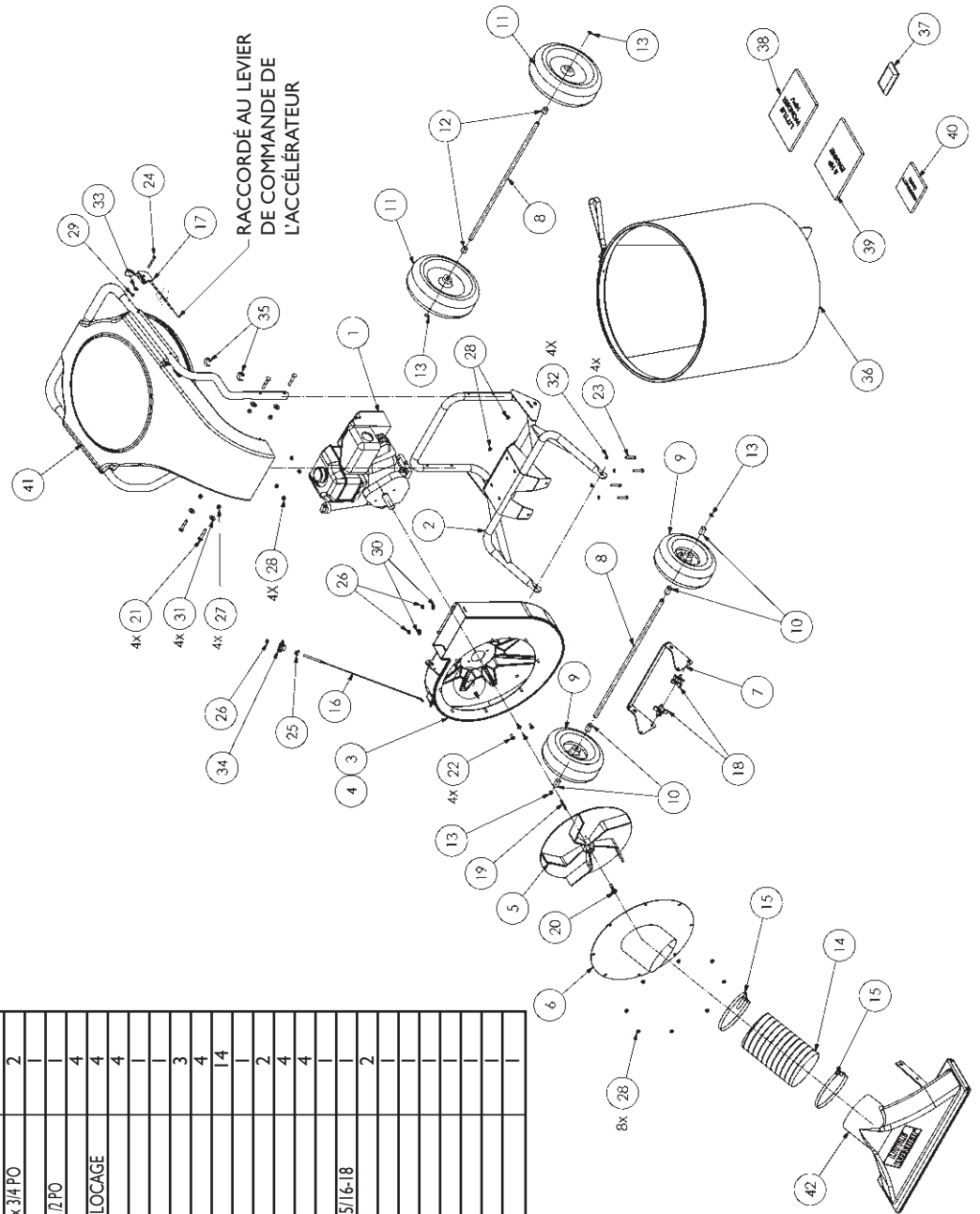
* En cas de charges ou températures ambiantes élevées, changer l'huile toutes les 25 heures.

** Voir les consignes d'utilisation et d'entretien du moteur pour un programme d'entretien plus détaillé.

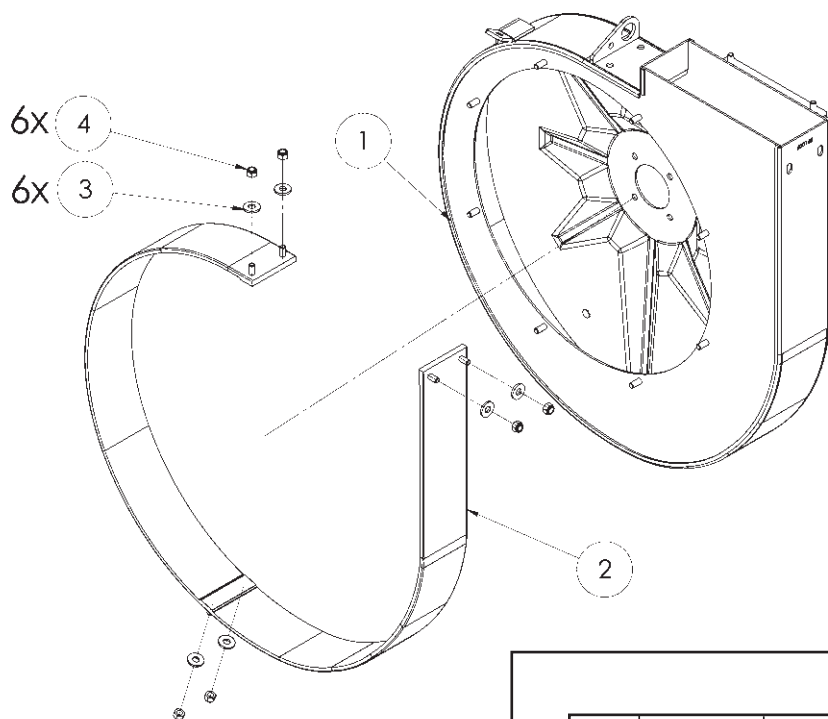
C. Instructions pour le démontage et remontage du ventilateur

1. Débrancher le fil de bougie.
2. Enlever la tête d'aspiration.
- 3 Enlever la plaque frontale.
4. Enlever le boulon retenant le ventilateur sur le vilebrequin du moteur.
5. Le ventilateur est doté un écrou 3/4-16 soudé sur son moyeu. Y visser un boulon 3/4-16 d'au moins 12 cm de long et de qualité au moins égale à classe 5 et séparer le ventilateur du moteur en le poussant ou par effet de levier (il est recommandé d'utiliser la vis de pression Little Wonder n° de réf. 910505).
6. Remplacer le ventilateur endommagé ou usé par un nouveau. Si, pendant le démontage du ventilateur, la clavette (n° 915) a été extraite du logement de clavette, la réinstaller en lui appliquant quelques gouttes de l'adhésif à action instantanée Loc Tite 380 (« Black Max » n° de réf. 38050) et en la remplaçant dans son logement.
(Le temps de prise est d'environ 1 minute.)
7. Utiliser un boulon neuf (n° 910518) pour terminer la réinstallation du ventilateur. Veiller à assurer une bonne fixation pendant le remontage.

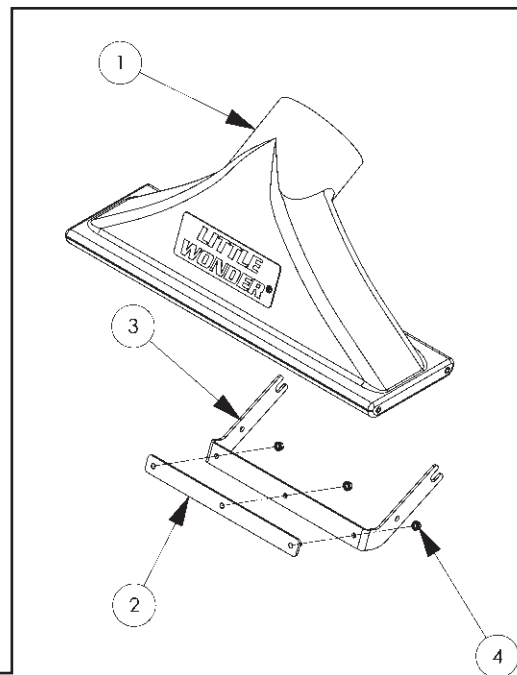
N°	N° de réf.	DESCRIPTION	QTÉ
1	910914	MOTEUR INTEK 6 de Ch	1
2	600121	CHASSIS	1
3	600106	CARTER - SANS TROUS POUR GAINÉ	1
4	600148	CARTER - AVEC TROUS POUR GAINÉ	1
5	600114	ROTOR EQUILIBRE	1
6	600118	CAPOT AVANT	1
7	600151	LIASON AXIALE	1
8	600135	AXE	2
9	934	ROUE DE 25 cm	2
10	600136	ENTRETOISE DES ROUES AVANT	4
11	920300	ROUE DE 30 cm	2
12	600137	ENTRETOISE DES ROUES ARRIERE	2
13	312	CIRCLIP 5/8	4
14	600102	TUYAU DE LA TETE D'ASPIRATION DIAM. 7 PO. LONG. 11 PO	1
15	720420	BRIDE DE TUYAU DIAM. 7 PO	2
16	600104	CABLE DE COMMANDE DE LA TETE D'ASPIRATION	1
17	600103	CABLE DE COMMANDE DE L'ACCELERATEUR	1
18	600152	BOUTON DE SUPPORT DE LA TETE D'ASPIRATION FIL. MALE 5/16-18 X 3/4 PO	2
19	915	CLAVETTE SECT. CARREE 1/4 PO. LONG. 2 PO	1
20	910518	BOUTON DE FIXATION DU VENTILATEUR A BRIDE CANNELEE 3/8-24 X 1 1/2 PO	1
21	600504	BOULON DE CARROSSERIE 3/8-16 X 2 1/4. CAT. 5	4
22	910503	BOULON A BRIDE CANNELEE 5/16-24 X 3/4 PO. PATTE DE BLOCCAGE	4
23	942	BOULON HEXAGONAL 5/16-18 X 1-3/4 PO	4
24	600505	BOULON HEXAGONAL 1/4-20 X 2-1/4	1
25	600507	ECROU A OREILLES 5/16-18	3
26	114C	ECROU NYLOCK 5/16-18	4
27	720518	ECROU NYLOCK 3/8-16	4
28	114B	ECROU A BRIDE CANNELEE 5/16-18	14
29	600506	ECROU NYLOCK 1/4-20	1
30	720511	RONDILLE PLATE USS 5/16	2
31	720516	RONDILLE PLATE USS 3/8	4
32	129D	RONDILLE DE BLOCCAGE FENDUE 5/16	4
33	720510	RONDILLE PLATE USS 1/4	1
34	600162	BOUTON DE COMMANDE DE LA TETE D'ASPIRATION FEM. 5/16-18	1
35	600160	CIRCLIP DU CABLE DE L'ACCELERATEUR 1-1/4	2
36	600105	SAC A DECHETS	1
37	600500	SACHET DE MATERIEL	1
38	600700	MANUEL D'UTILISATION	1
39	N/A	MANUEL DU MOTEUR	1
40	16-102	FICHE DE GARANTIE	1
41	SEE DETAIL	ENSEMBLE COLLECTEUR	1
42	SEE DETAIL	ENSEMBLE TETE D'ASPIRATION	1



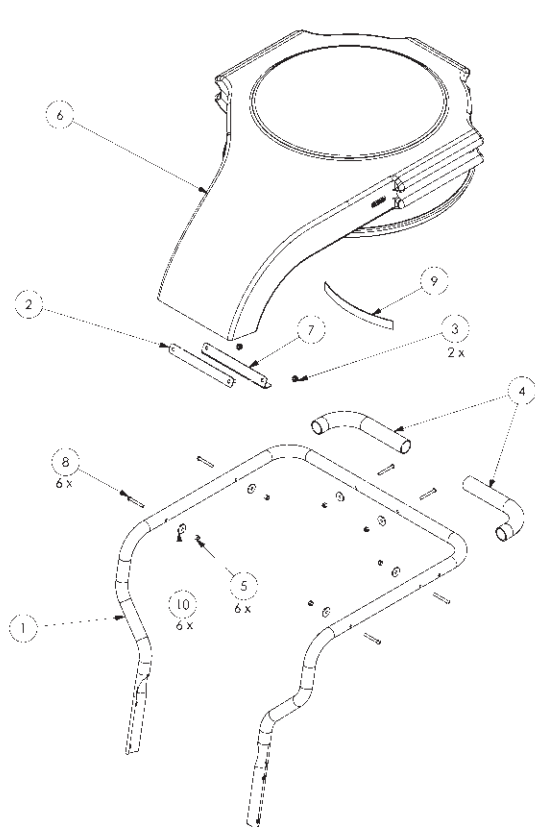
N°	N° de réf.	DESCRIPTION	QTÉ
1	600148	Cartier avec trous de fixation de gaine	1
2	600155	Gaine	1
3	720511	Rondelle plate USS 5/16	6
4	114C	Ecrou Nylock 5/16-18	6



(Modèle 5610 uniquement)



N°	N° de réf.	DESCRIPTION	QTÉ
1	600100	TÊTE D'ASPIRATION	1
2	600133	PLAQUE D'ASSEMBLAGE DE LA TÊTE D'ASPIRATION	1
3	600132	SUPPORT DE LA TÊTE D'ASPIRATION	1
4	114B	ECROU A BRIDE CANNELEE 5/16-18	3



ENSEMBLE COLLECTEUR

ENSEMBLE TÊTE D'ASPIRATION

N°	N° de réf.	DESCRIPTION	QTÉ
1	600130	GUIDON	1
2	600142	PLAQUE D'ASSEMBLAGE DE BRIDE	1
3	114B	ECROU A BRIDE CANNELEE 5/16-18	2
4	600153	POIGNEE	2
5	600506	ECROU NYLOCK 1/4-20	6
6	600101	COLLECTEUR D'EJECTION	1
7	600138	CORNIERE DU COLLECTEUR	1
8	600509	BOULON SHCS 1/4-20 x 2 PO	6
9	600161	SUPPORT DE FIXATION	1
10	600518	RONDELLE DU COLLECTEUR 1/4 PO	6

GARANTIE LIMITÉE DE RÉPARATION D'UN AN ET POLITIQUE DE GARANTIE POUR L'ASPIRATEUR HAUTE PERFORMANCE HPV

L'aspirateur haute performance **Little Wonder** est garanti contre les vices de matériaux et de main-d'œuvre pendant UN AN à compter de la date d'achat lorsqu'il est utilisé pour un USAGE RÉSIDENTIEL ou COMMERCIAL. Tout aspirateur haute performance ou pièce **Little Wonder** s'avérant défectueux(défectueuse) pendant la période de garantie doit être renvoyé(e) à un revendeur agréé Little Wonder.

Les moteurs de tous les appareils à essence sont garantis séparément par le fabricant du moteur pendant un an. Par conséquent, aucune garantie, explicite ou implicite, n'est fournie par **Little Wonder** sur les moteurs des appareils à essence.

Les frais de transport des pièces détachées et des appareils renvoyés en vue de leur remplacement dans le cadre de cette garantie incombent à l'acheteur.

CETTE GARANTIE sera de nul effet si le produit a fait l'objet d'une utilisation erronée, de négligence ou d'un accident, ou si le produit a été réparé ou altéré hors de notre usine de Southampton ou d'un centre de réparation agréé d'une manière qui influe sur son état ou son fonctionnement.

Little Wonder décline toute responsabilité en cas de dommages particuliers indirects ou accessoires liés à la défektivité du matériel. Aucune garantie implicite, notamment garantie de qualité marchande ou d'aptitude à une fin particulière, ne s'étend au-delà de la période de garantie spécifiée ci-dessus.

LA PRÉSENTE GARANTIE n'est valide que si la fiche de garantie et d'enregistrement ci-jointe a été correctement remplie et renvoyée à **Little Wonder**, division de la société Schiller-Pfeiffer, Inc., au moment de l'achat.

 AVERTISSEMENT  DANGER 

L'ÉCHAPPEMENT DU MOTEUR DE CE PRODUIT
CONTIENT DES PRODUITS CHIMIQUES DÉCLARÉS PAR
L'ÉTAT DE LA CALIFORNIE RESPONSABLES DE
CANCER, MALFORMATIONS CONGÉNITALES OU
AUTRES ANOMALIES DE LA REPRODUCTION.

LITTLE WONDER®

DIVISION OF SCHILLER-PFEIFFER, INCORPORATED
1028 STREET ROAD, P.O. BOX 38
SOUTHAMPTON, PA 18966

Téléphone 877-596-6337 • Télécopieur 215-357-8045

877-LWONDER

www.littlewonder.com

P/N 600700

09/04

Les caractéristiques, descriptions et illustrations de ce guide sont exactes au mieux de notre connaissance au moment de la publication, mais elles sont susceptibles d'être modifiées sans préavis.

Free Manuals Download Website

<http://myh66.com>

<http://usermanuals.us>

<http://www.somanuals.com>

<http://www.4manuals.cc>

<http://www.manual-lib.com>

<http://www.404manual.com>

<http://www.luxmanual.com>

<http://aubethermostatmanual.com>

Golf course search by state

<http://golfingnear.com>

Email search by domain

<http://emailbydomain.com>

Auto manuals search

<http://auto.somanuals.com>

TV manuals search

<http://tv.somanuals.com>