



**Lochinvar**<sup>®</sup>  
High Efficiency Water Heaters, Boilers and Pool Heaters

**PUMP  
Recommendation**

**PUMP-Rec-06 Rev C**

**PUMP RECOMMENDATION FOR  
COPPER-FIN 0402-0752 BOILER**

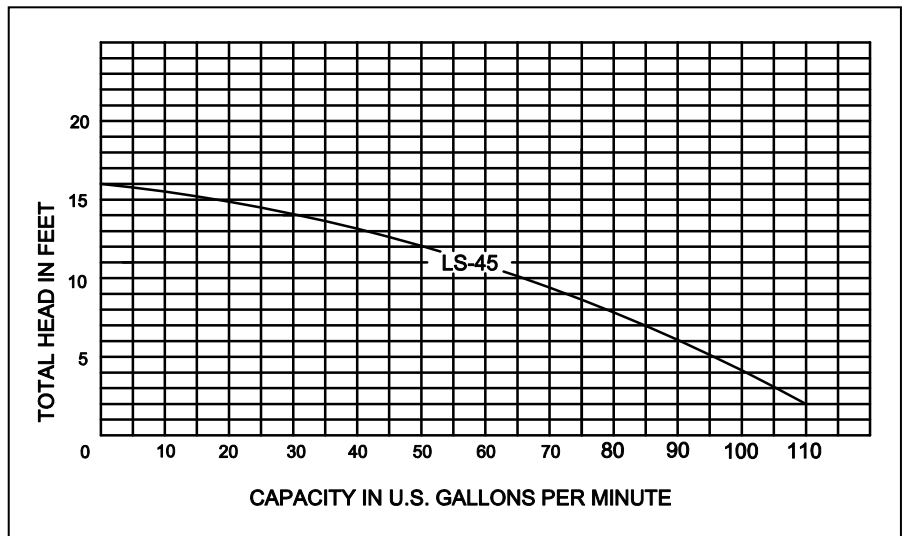
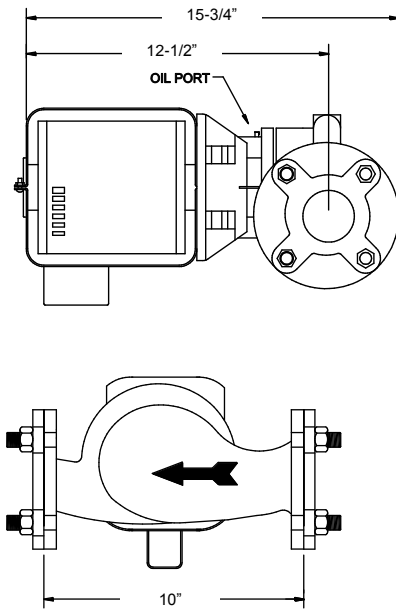
**Pump Specifications**

Part No.	HorsePower	Flanges	Valute Material	Flange Material	Vendor	Vendor Product Series	Orientation
ARM3044PBF	1/4	2"	Cast Iron	Cast Iron	Armstrong	LS45	Horizontal

**Installation Specifications**

Specific Model Number	Maximum Flow Rate	Planned Temperature Rise	Planned Flow Rate	Total System Head Loss
	55 GPM			

IMPORTANT: Read the Copper-fin II 399-2070 Installation and Operation Manual. If the planned system exceeds the pump capacity in flow and/or head see "Pump-REC-All Pumps" for alternate pumps and pump curves.



**Lochinvar**<sup>®</sup>  
High Efficiency Water Heaters, Boilers and Pool Heaters

Lochinvar Corporation • 300 Maddox Simpson Pkwy • Lebanon, TN 37090 • 615-889-8900/Fax: 615-547-1000

[www.Lochinvar.com](http://www.Lochinvar.com)



**Lochinvar**<sup>®</sup>  
High Efficiency Water Heaters, Boilers and Pool Heaters

**PUMP  
Recommendation**

**PUMP-Rec-06 Rev C**

**PUMP RECOMMENDATION FOR  
COPPER-FIN II 0992-2072 BOILER**

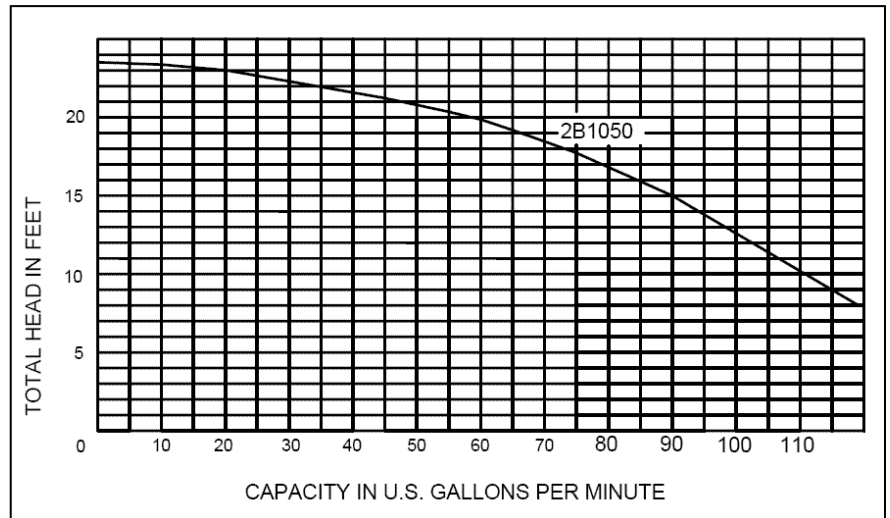
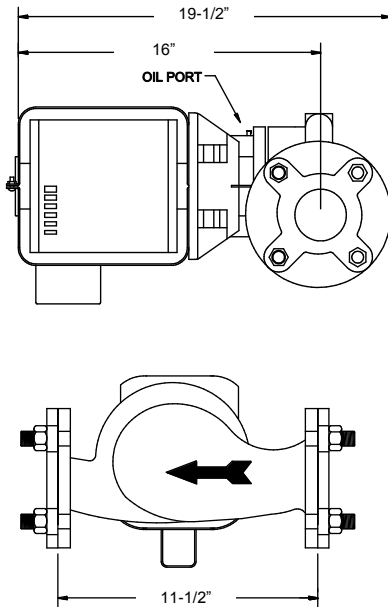
**Pump Specifications**

Part No.	HorsePower	Flanges	Valute Material	Flange Material	Vendor	Vendor Product Series	Orientation
ARM3024PBF	1/2	2-1/2"	Cast Iron	Cast Iron	Armstrong	2B1050	Horizontal

**Installation Specifications**

Specific Model Number	Maximum Flow Rate	Planned Temperature Rise	Planned Flow Rate	Total System Head Loss
	90 GPM			

IMPORTANT: Read the Copper-fin II 399-2070 Installation and Operation Manual. If the planned system exceeds the pump capacity in flow and/or head see "Pump-REC-All Pumps" for alternate pumps and pump curves.



**Lochinvar**<sup>®</sup>  
High Efficiency Water Heaters, Boilers and Pool Heaters

Lochinvar Corporation • 300 Maddox Simpson Pkwy • Lebanon, TN 37090 • 615-889-8900/Fax: 615-547-1000

[www.Lochinvar.com](http://www.Lochinvar.com)

## Free Manuals Download Website

<http://myh66.com>

<http://usermanuals.us>

<http://www.somanuals.com>

<http://www.4manuals.cc>

<http://www.manual-lib.com>

<http://www.404manual.com>

<http://www.luxmanual.com>

<http://aubethermostatmanual.com>

Golf course search by state

<http://golfingnear.com>

Email search by domain

<http://emailbydomain.com>

Auto manuals search

<http://auto.somanuals.com>

TV manuals search

<http://tv.somanuals.com>