

**PUMP RECOMMENDATION FOR
KNIGHT 051-211 BOILER**

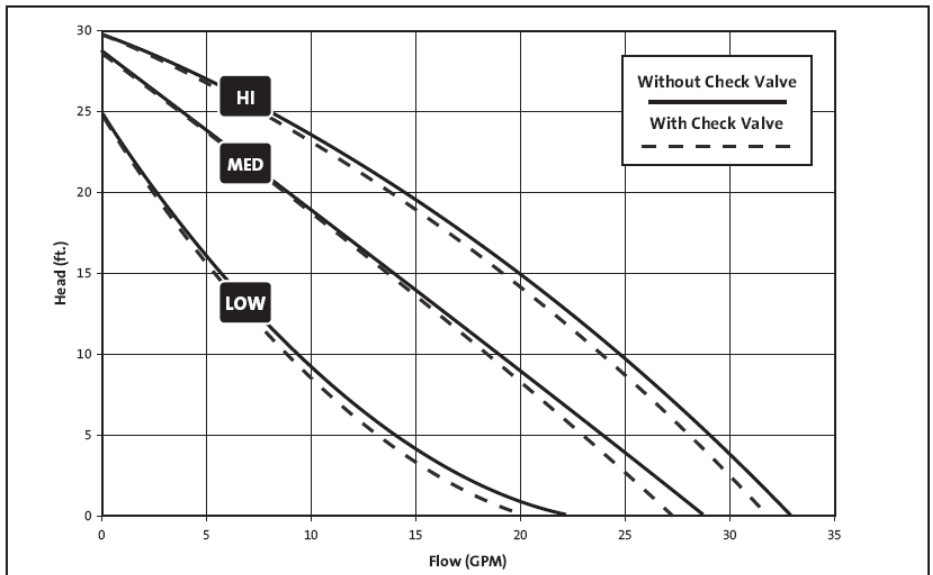
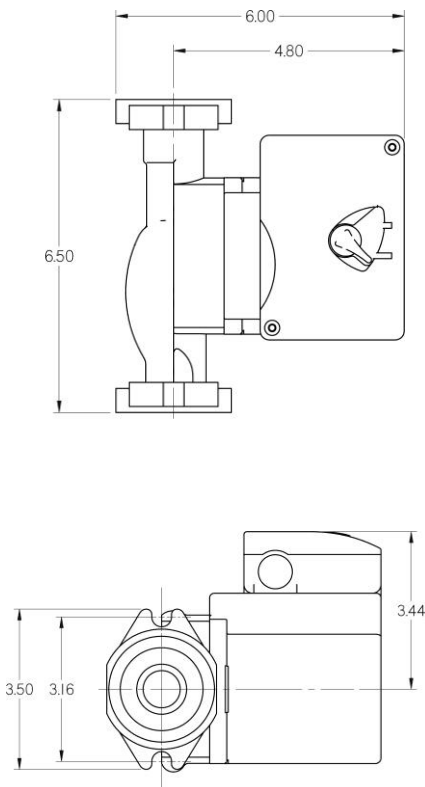
Pump Specifications

Part No.	HorsePower	Flanges	Valute Material	Flange Material	Vendor	Vendor Product Series	Orientation
PUM3020	1/6	1"	Cast Iron	Cast Iron	Grundfos	UP Series	Vertical

Installation Specifications

Specific Model Number	Maximum Flow Rate	Planned Temperature Rise	Planned Flow Rate	Total System Head Loss
	N/A			

IMPORTANT: Read the Knight 80-285 Installation and Operation Manual. If the planned system exceeds the pump capacity in flow and/or head see "Pump Curves-All Pumps" for alternate pumps and pump curves.





**PUMP
Recommendation**

PUMP-Rec-13 Rev C

**PUMP RECOMMENDATION FOR
KNIGHT 286 BOILER**

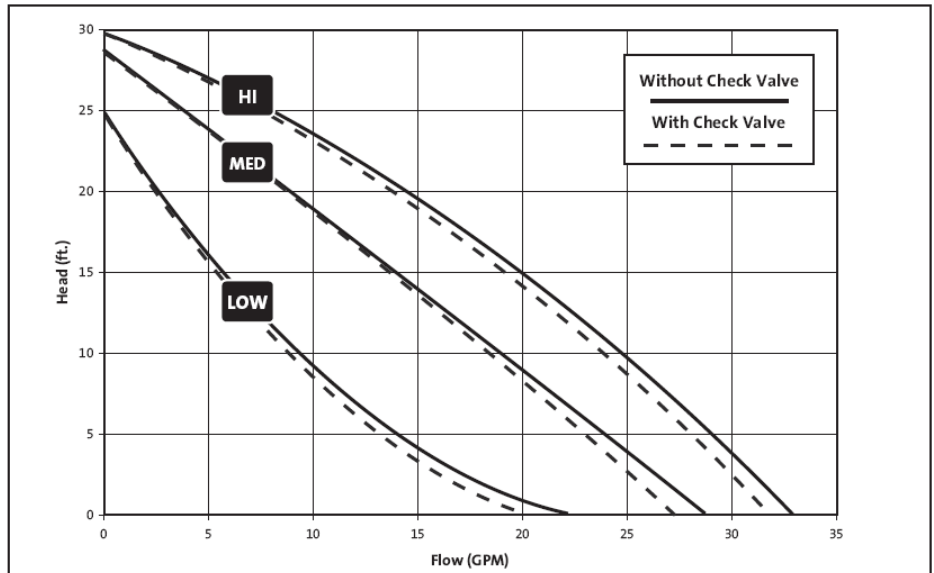
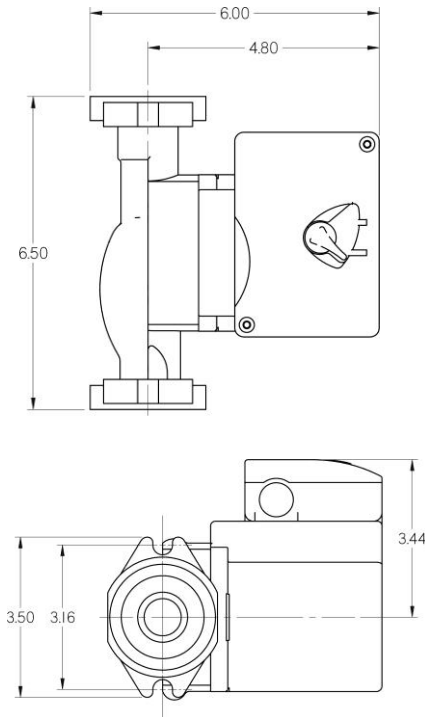
Pump Specifications

Part No.	HorsePower	Flanges	Valute Material	Flange Material	Vendor	Vendor Product Series	Orientation
PUM3021	1/6	1-1/4"	Cast Iron	Cast Iron	Grundfos	UP Series	Vertical

Installation Specifications

Specific Model Number	Maximum Flow Rate	Planned Temperature Rise	Planned Flow Rate	Total System Head Loss
	N/A			

IMPORTANT: Read the Knight 80-285 Installation and Operation Manual. If the planned system exceeds the pump capacity in flow and/or head see "Pump Curves-All Pumps" for alternate pumps and pump curves.



Lochinvar Corporation • 300 Maddox Simpson Pkwy • Lebanon, TN 37090 • 615-889-8900/Fax: 615-547-1000

www.Lochinvar.com

Free Manuals Download Website

<http://myh66.com>

<http://usermanuals.us>

<http://www.somanuals.com>

<http://www.4manuals.cc>

<http://www.manual-lib.com>

<http://www.404manual.com>

<http://www.luxmanual.com>

<http://aubethermostatmanual.com>

Golf course search by state

<http://golfingnear.com>

Email search by domain

<http://emailbydomain.com>

Auto manuals search

<http://auto.somanuals.com>

TV manuals search

<http://tv.somanuals.com>