



**Lochinvar**<sup>®</sup>  
High Efficiency Water Heaters, Boilers and Pool Heaters

**EFFICIENCY+<sup>®</sup>**  
**BOILER**  
**Submittal Sheet**

**EBN-Sub-05**

**EFFICIENCY+<sup>®</sup> GAS BOILERS**

**JOB NAME** \_\_\_\_\_

**LOCATION** \_\_\_\_\_

**ARCH./ENGR.** \_\_\_\_\_

**WHOLESALE** \_\_\_\_\_

**MECH. CONTRACTOR** \_\_\_\_\_

**MODEL NO.** \_\_\_\_\_

**TYPE GAS** \_\_\_\_\_

**Btu/hr INPUT** \_\_\_\_\_

**Btu/hr OUTPUT** \_\_\_\_\_

**NOTES**

**Standard Features**

- 84% AFUE
- Two Stage Firing
- Sealed Combustion Chamber
- Stainless Steel Burners
- Low NOx Operation Exceeds the most Stringent Air Quality Requirements
- ASME Copper Finned Tube Heat Exchanger
- 160 PSI Working Pressure
- Gasketless Heat Exchanger Design
- Automatic Reset High Limit
- Loch-Heat Ceramic Tile Combustion Chamber
- Hot Surface Ignition
- ASME Pressure Relief Valve
- 24 Volt Control System
- Pump Relay
- 10 Year Limited Warranty on Heat Exchanger (See warranty for details)

**Optional Equipment**

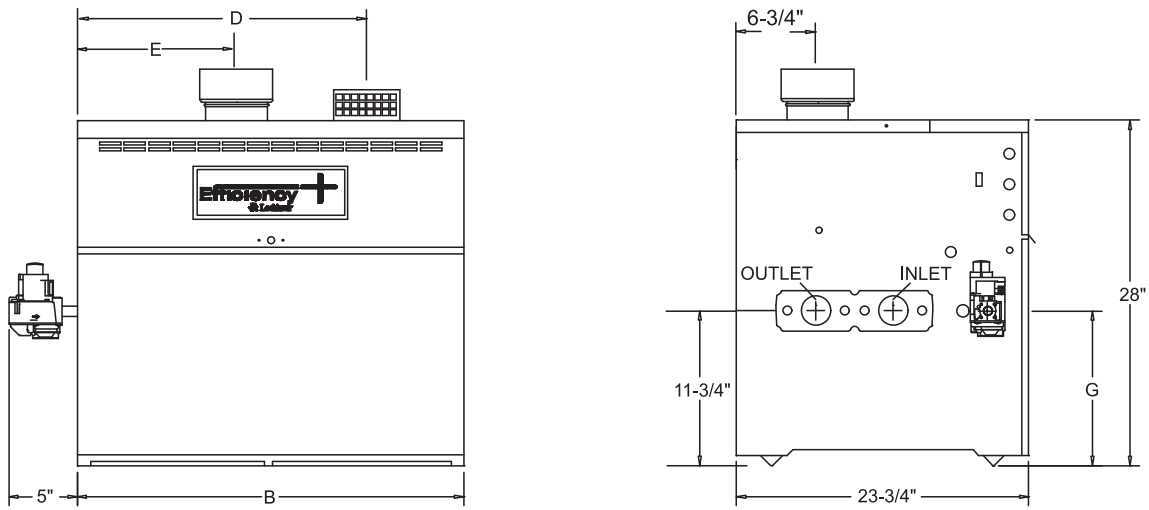
Place an X in the box by all options that apply

- Adjustable High Limit w/ Manual Reset
- Alarm Bell
- Cupro-Nickel Heat Exchanger
- Flow Switch
- Indoor/Outdoor Reset
- Manual Reset Low Water Cut-Off w/test
- MP<sup>2</sup> Sequencer
- Stack Frame
- Pump Delay w/ Freeze Protection

**Firing Control Systems**

- M9 Hot Surface Ignition with Electronic Supervision (Standard)
- M7 California Code

# Efficiency+® Boiler Dimensions & Specifications



Efficiency+ Boiler					Dimensions & Specifications						
Model Number	Input Max MBH	AFUE %	Heating Capacity MBH	Net I=B=R MBH	B	D	E	G	Gas Conn.	Vent Size	Shipping Weight
EBN150	150	83.2	129	112	19-3/4"	16"	7-1/4"	11-3/4"	3/4"	5"	245
EBN200	200	83.1	170	148	23-3/4"	20"	9-1/4"	11-3/4"	3/4"	5"	265
EBN250	250	83.2	218	190	27-1/2"	23-3/4"	11"	11-3/4"	3/4"	6"	290
EBN300	300	84.0	252	219	31-1/4"	27-1/2"	13"	11-3/4"	3/4"	6"	310

Notes: Change 'N' to 'L' to denote L.P. gas models

Electrical Requirements: 120 VAC / 2 AMP

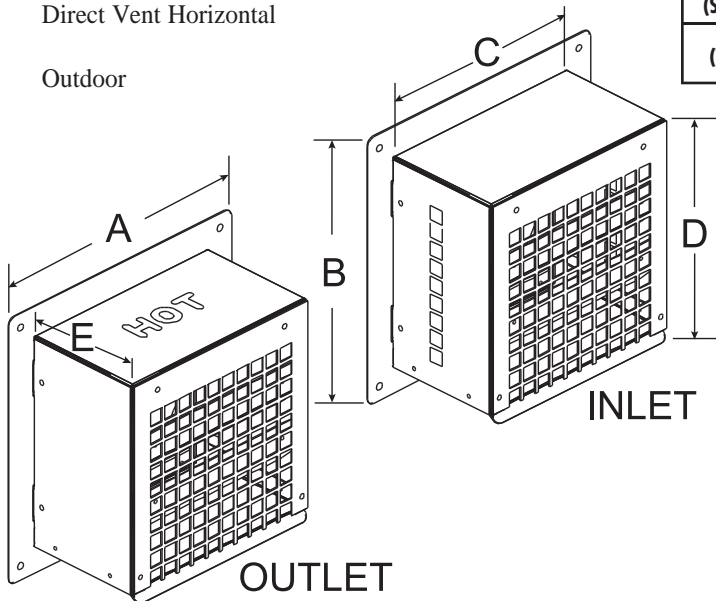
Water connections are 1-1/2" NPT

**Venting Options:** and pick-up allowance of 1.15

Performance data based on manufacturer test results.

- Conventional
- Efficiency+ DirectAire
- Direct Vent Vertical
- Direct Vent Horizontal
- Outdoor

AMP DRAW DATA 150,000 thru 300,000 Btu Models					
FIRING CONTROLS	FAN	VALVE/ CONTROLS	MAXIMUM TOTAL AMPS @ 120 VAC	PUMP AMPS 100	PUMP AMPS 150-300
F-9 (Single Stage)	1.15	3.97	5.12	2.1	5.8
M-9 (Two Stage)	1.15	4.15	5.30	2.1	5.8



Horizontal Direct Vent Inlet and Outlet Cap					
MODEL NO.	DIM "A"	DIM "B"	DIM "C"	DIM "D"	DIM "E"
EB 150-200	9-1/8"	8-7/8"	7-1/8"	7-3/8"	4-3/8"
EB 250-300	9-5/8"	9-3/8"	7-5/8"	7-3/4"	4-3/8"



**Lochinvar®**  
High Efficiency Water Heaters, Boilers and Pool Heaters



Lochinvar Corporation • 300 Maddox Simpson Pkwy • Lebanon, TN 37090 • 615-889-8900 / Fax: 615-547-1000  
www.Lochinvar.com

## Free Manuals Download Website

<http://myh66.com>

<http://usermanuals.us>

<http://www.somanuals.com>

<http://www.4manuals.cc>

<http://www.manual-lib.com>

<http://www.404manual.com>

<http://www.luxmanual.com>

<http://aubethermostatmanual.com>

Golf course search by state

<http://golfingnear.com>

Email search by domain

<http://emailbydomain.com>

Auto manuals search

<http://auto.somanuals.com>

TV manuals search

<http://tv.somanuals.com>