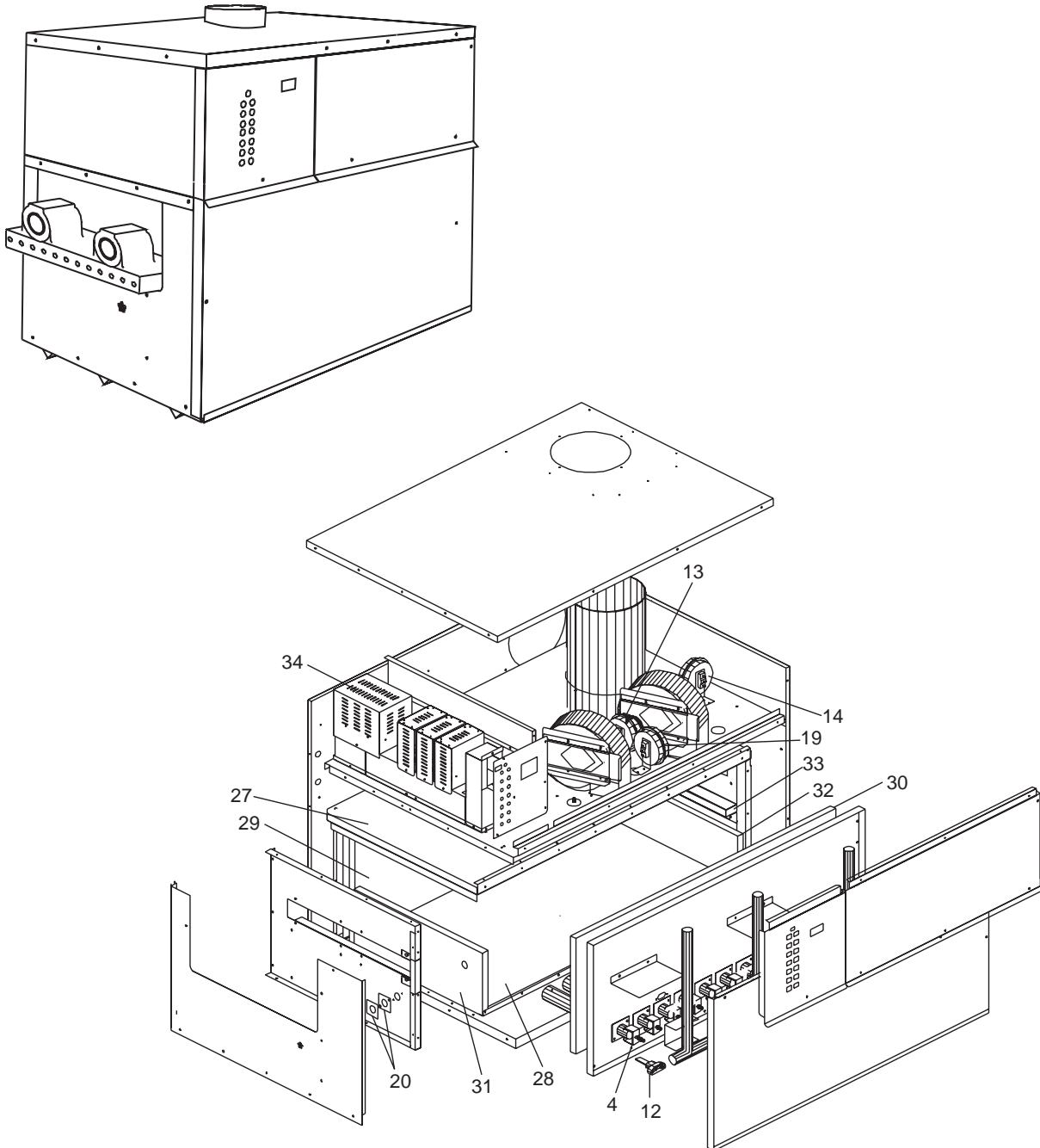




PARTS DEPOT
 Nashville, Tennessee
 615-889-8900 • Fax: 615-547-1000
 www.Lochinvar.com

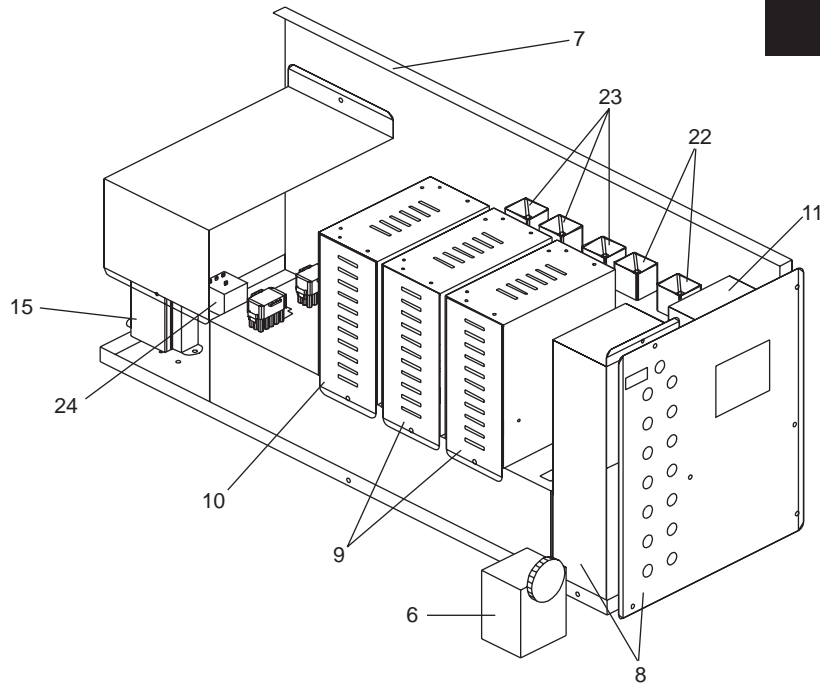
Replacement Parts List

Copper-Fin II[®]
Boilers — Water Heaters & Pool Heaters
CH—CF—CP — 990-2070
 Beginning Serial Number: G936199 to Present

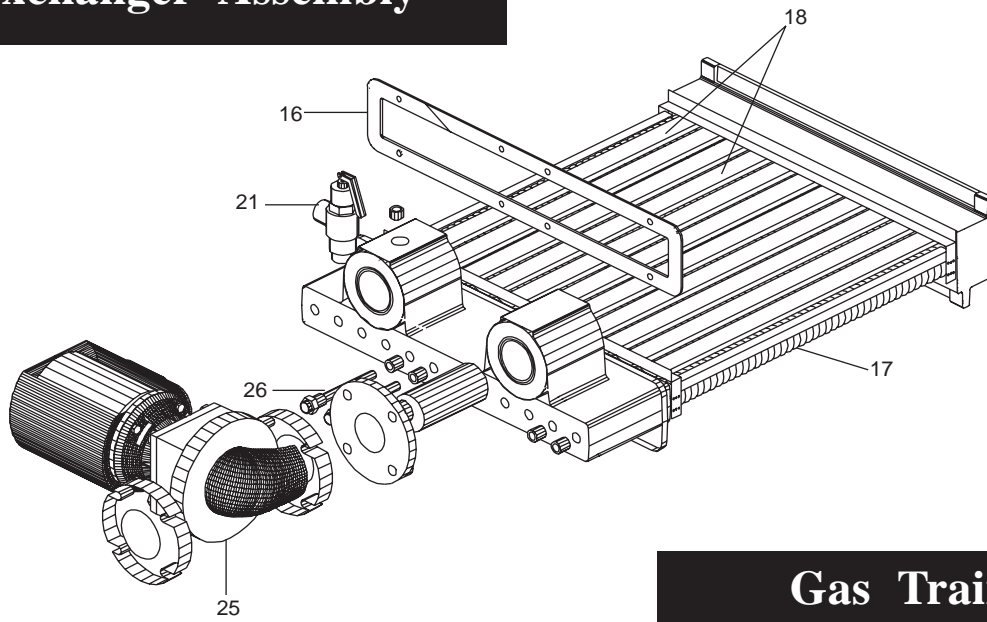


RPL 7007

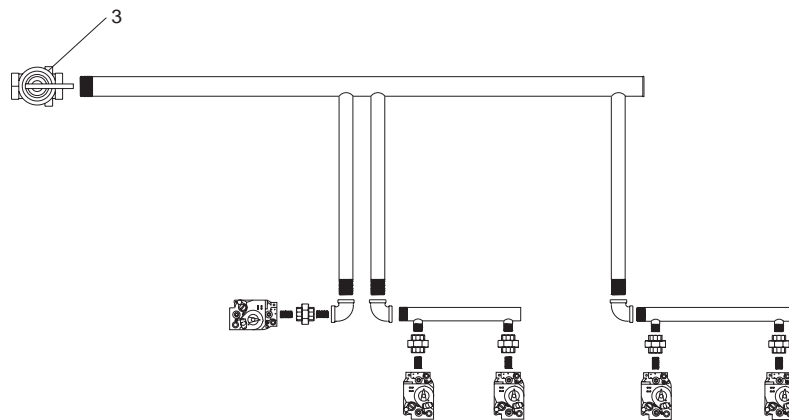
Control Panel



Heat Exchanger Assembly



Gas Train



ITEM NO.	PART NO.	DESCRIPTION	MODEL NO.
Gas Train Assemblies			
1	KIT #	BNR2404:	BNR3501: BNR3502:
	BNR3410	9ea.	1ea. 1ea.
	BNR3411	12ea.	1ea. 1ea.
	BNR3412	14ea.	1ea. 1ea.
	BNR3413	17ea.	1ea. 2ea.
	BNR3414	20ea.	1ea. 2ea.
<p>BNR2404 is Main Burner</p> <p>BNR3501 is Main Burner Connected Thermocouple Compression Fitting</p> <p>BNR3502 is Main Burner w/ Pressure Tap, Barbed Fitting</p>			
4	ORF2413	ORIFICE, NAT.	ALL
4	ORF2405	ORIFICE, LPG.	ALL
5	VAL3403	VALVE, GAS NAT.	ALL
5	VAL3404	VALVE, GAS LPG.	ALL
Controls & Gauges			
6	HLC2701	HIGH LIMIT	CF
6	HLC2702	HIGH LIMIT MANUAL RESET	CH
--	MSC2420	TERMINAL STRIP 6 POLE	ALL
--	MSC2447	CIRCUIT BREAKER 7 AMP.	ALL
7	PAN3000	CONTROL PANEL COMPLETE	ALL
8	PAN3001	LIGHT ASSEMBLY W/FRONT ESCUTCHEON	ALL
--	MSC2448	LIGHT, INDICATOR 120V.	ALL
--	MSC2449	LIGHT, INDICATOR 28V.	ALL
9	RLY3002	IGNITION MODULE	ALL
10	RLY3003	TIME DELAY MODULE	ALL
11	TST3004	ELECTRONIC THERMOSTAT CONTROL	ALL
11	TST3006	ELECT. THERMOSTAT CONTROL, W/INDOOR/OUTDOOR SENSORS	OPTIONAL
--	WRE2416	SENSOR	ALL
--	HLC2503	110° HI LIMIT (POOL PIPING)	CP
--	HLC2501	200° HI LIMIT (OUTLET SIDE) BEGINNING SERIAL # A980000	
12	PLT3400	HOT SURFACE IGNITOR	ALL
13	PRS2416	PRESSURE SWITCH, DUAL	ALL
14	PRS2417	PRESSURE SWITCH, LOW AIR	ALL
--	PRS2406	PRESSURE SWITCH, POOL HEATER	CP
15	TRF2701	TRANSFORMER 150V.A.	ALL
--	WTR2041	SWITCH, FLOW OUTDOOR	CF/CH
--	MSC2426	SWITCH, MAIN POWER	ALL
--	MSC2706	TUBING, EDPM 1/4" (ORDER BY THE FOOT)	ALL
--	MSC2461	TUBING, SILICONE (ORDER BY THE FOOT)	ALL
--	MSC2406	TUBING, EDPM 1/8" (ORDER BY THE FOOT)	ALL
Heat Exchangers			
16	GKT2418	GASKET, HEAT SHIELD	ALL
17	HEX3420	HEAT EXCHANGER H (CF & CP before serial F00 & All CH)	990
17	HEX3421	HEAT EXCHANGER H (CF & CP before serial F00 & All CH)	1260
17	HEX3422	HEAT EXCHANGER H (CF & CP before serial F00 & All CH)	1440
17	HEX3423	HEAT EXCHANGER H (CF & CP before serial F00 & All CH)	1800
17	HEX3424	HEAT EXCHANGER H (CF & CP before serial F00 & All CH)	2070
17	HEX3000	HEAT EXCHANGER HLW (After Serial # F00)	CF/CP990
17	HEX3001	HEAT EXCHANGER HLW (After Serial # F00)	CF/CP1260
17	HEX3002	HEAT EXCHANGER HLW (After Serial # F00)	CF/CP1440
17	HEX3003	HEAT EXCHANGER HLW (After Serial # F00)	CF/CP1800
17	HEX3004	HEAT EXCHANGER HLW (After Serial # F00)	CF/CP2070
18	JKE6078	V-BAFFLE (9 PER UNIT)	990
18	JKE6079	V-BAFFLE (9 PER UNIT)	1260
18	JKE6080	V-BAFFLE (9 PER UNIT)	1440
18	JKE6081	V-BAFFLE (9 PER UNIT)	1800
18	JKE6082	V-BAFFLE (9 PER UNIT)	2070
35	JKE6159	V-BAFFLE FRAME RUNNER	990
35	JKE6160	V-BAFFLE FRAME RUNNER	1260
35	JKE6161	V-BAFFLE FRAME RUNNER	1440
35	JKE6162	V-BAFFLE FRAME RUNNER	1800
35	JKE6163	V-BAFFLE FRAME RUNNER	2070
36	JKD6187	V-BAFFLE FRAME END	ALL
* "CONSULT FACTORY"			
NOTE: CH = BOILER, CF = WATER HEATER & CP = POOL HEATER			

ITEM NO.	PART NO.	DESCRIPTION	MODEL NO.
Miscellaneous			
19	FAN2714	FAN ASSEMBLY	ALL
--	GTP2900	PRESSURE TEMPERATURE GAUGE	CH
20	MSC3415	SIGHT GLASS & GASKET	ALL
21	RLV2001	RELIEF VALVE, PRESSURE ONLY	CH
21	RLV2007	RELIEF VALVE, TEMPERATURE & PRESSURE	CF
22	RLY2425	RELAY 120 VOLT	ALL
23	RLY2424	RELAY 24 VOLT	ALL
24	RLY2706	RELAY, POWER	ALL
25	ARM3024PBF	PUMP (Before Serial # L01)	CF
25	ARM3024PAB	PUMP (After Serial # L01 Standard)	CF
25	ARM3024PABTE	PUMP	CP
-	RLY2041	PUMP DELAY RELAY	CF
26	TST2301	WELL, THERMOSTAT	ALL
Loch-Heat® Tile			
27	FIB2441	LOCH-HEAT TILE, TOP RIGHT SIDE	990
27	FIB2442	LOCH-HEAT TILE, TOP LEFT SIDE	990
27	FIB2443	LOCH-HEAT TILE, TOP RIGHT SIDE	1260-1440
27	FIB2444	LOCH-HEAT TILE, TOP LEFT SIDE	1260
27	FIB2445	LOCH-HEAT TILE, TOP LEFT SIDE	1440
27	FIB2446	LOCH-HEAT TILE, TOP RIGHT SIDE	1800-2070
27	FIB2447	LOCH-HEAT TILE, TOP MIDDLE	1800-2070
27	FIB2448	LOCH-HEAT TILE, TOP LEFT SIDE	1800
27	FIB2449	LOCH-HEAT TILE, TOP LEFT SIDE	2070
28	FIB2471	LOCH-HEAT TILE, BOTTOM	990
28	FIB2450	LOCH-HEAT TILE, BOTTOM RIGHT	1440-2070
28	FIB2451	LOCH-HEAT TILE, BOTTOM	1260
28	FIB2452	LOCH-HEAT TILE, BOTTOM LEFT	1440
28	FIB2453	LOCH-HEAT TILE, BOTTOM LEFT	1800
28	FIB2454	LOCH-HEAT TILE, BOTTOM LEFT	2070
29	FIB2472	LOCH-HEAT TILE, BACK	990
29	FIB2455	LOCH-HEAT TILE, BACK RIGHT	1440-2070
29	FIB2456	LOCH-HEAT TILE, BACK	1260
29	FIB2457	LOCH-HEAT TILE, BACK LEFT	1440
29	FIB2458	LOCH-HEAT TILE, BACK LEFT	1800
29	FIB2459	LOCH-HEAT TILE, BACK LEFT	2070
30	FIB2460	LOCH-HEAT TILE, FRONT DOOR	990
30	FIB2461	LOCH-HEAT TILE, FRONT DOOR	1260
30	FIB2462	LOCH-HEAT TILE, FRONT DOOR RIGHT	1440
30	FIB2469	LOCH-HEAT TILE, FRONT DOOR LEFT	1440
30	FIB2463	LOCH-HEAT TILE, FRONT DOOR RIGHT	1800
30	FIB2470	LOCH-HEAT TILE, FRONT DOOR LEFT	1800
30	FIB2464	LOCH-HEAT TILE, FRONT DOOR RIGHT	2070
30	FIB2465	LOCH-HEAT TILE, FRONT DOOR LEFT	2070
31	FIB2466	LOCH-HEAT TILE, FRONT HEAD SIDE	ALL
33	FIB2468	LOCH-HEAT TILE, REAR HEAD SPACER STRIP	ALL
3	GAC2031	GAS COCK	990 & 1260
3	GAC2032	GAS COCK	1440-2070
34	PAN3401	OPTION BOX A: LOUVER RELAYw/PUMP DELAY (LVRw/P. DELAY)	ALL
34	PAN3402	OPTION BOX B: MR-LWCO, LVRw/P. DELAY	ALL

PLEASE: Have model number and serial number when ordering parts

Free Manuals Download Website

<http://myh66.com>

<http://usermanuals.us>

<http://www.somanuals.com>

<http://www.4manuals.cc>

<http://www.manual-lib.com>

<http://www.404manual.com>

<http://www.luxmanual.com>

<http://aubethermostatmanual.com>

Golf course search by state

<http://golfingnear.com>

Email search by domain

<http://emailbydomain.com>

Auto manuals search

<http://auto.somanuals.com>

TV manuals search

<http://tv.somanuals.com>