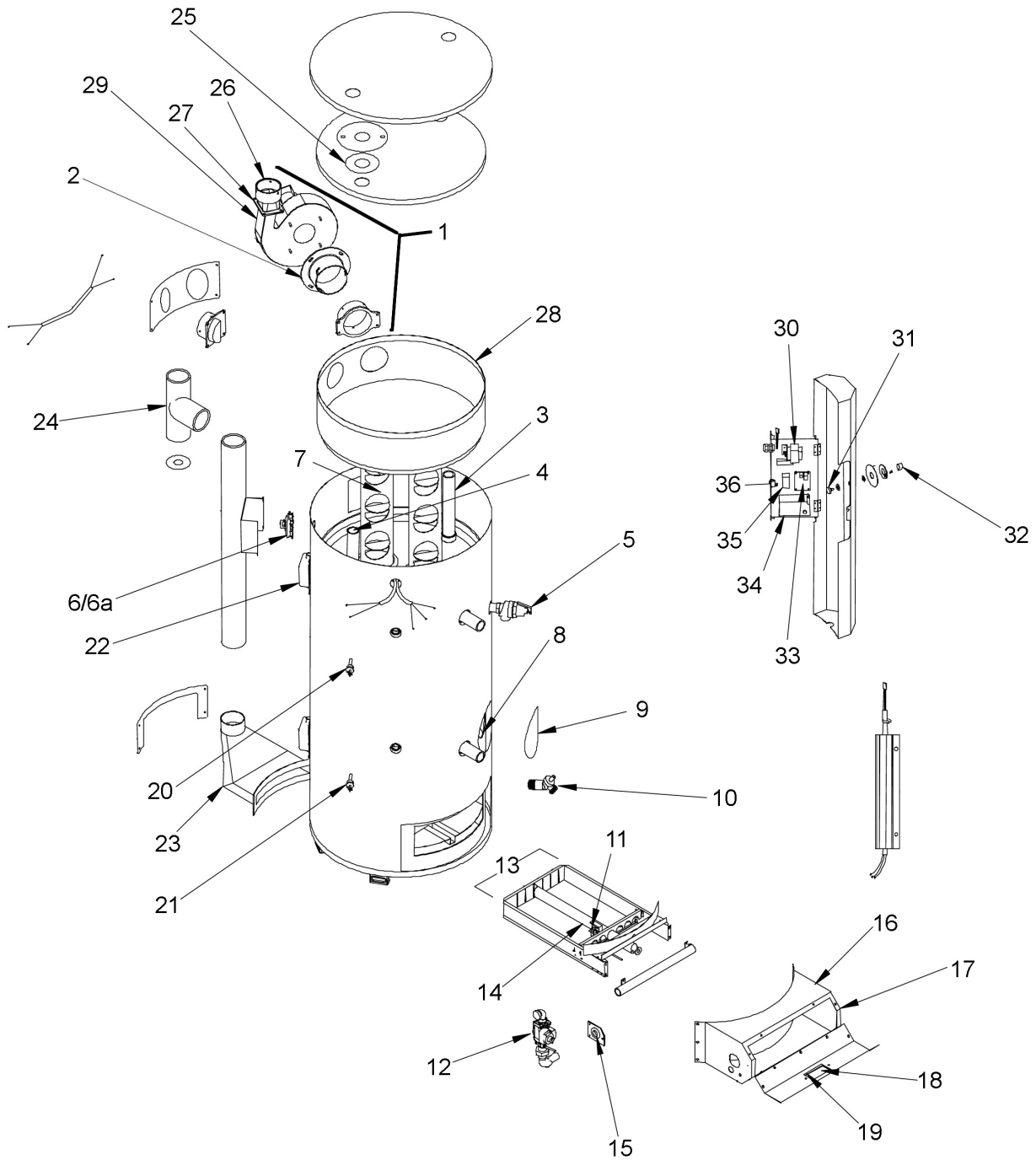




**PARTS AND SERVICE DEPARTMENT**  
 Nashville, Tennessee  
 615-889-8900 / Fax: 615-547-1000  
 www.Lochinvar.com

**Replacement Parts List**

**Charger Power DV  
 Commercial Gas Water Heaters  
 Models PNR(L) 150-080 – 251-100**



ITEM	DESCRIPTION	MODEL NUMBERS / PART NUMBERS			
		PN(L)R150-080 PN(L)R150-100	PN(L)R200-080 PN(L)R200-100	PN(L)R250-080 PN(L)R250-100	PN(L)A251-080 PN(L)A251-100
1	Blower Assembly	FAN1004	FAN1004	FAN1004	FAN1004
2	Blower Gasket	GKT1012	GKT1012	GKT1012	GKT1012
3	Dip Tube (-080 models)	WTR1033	WTR1033	WTR1033	WTR1033
3	Dip Tube (-100 models)	WTR1034	WTR1034	WTR1034	WTR1034
4	Anode Rod - Magnesium (-080 models)	WTR1001	WTR1001	WTR1001	WTR1001
4	Anode Rod - Magnesium (-100 models)	WTR1005	WTR1005	WTR1005	WTR1005
5	T & P Valve	RLV1003	RLV1003	RLV1003	RLV1003
6	Pressure Switch	PRS1002	PRS1003	PRS1002	PRS1002
6a	High Alt. Pressure Switch (-100 model)	-	PRS1005	PRS1003	PRS1003
7	Flue Baffle	JKT1003	JKT1003	JKT1003	JKT1003
8	Handhole Gasket	GKT1010	GKT1010	GKT1010	GKT1010
9	Cleanout Cover	WTR1024	WTR1024	WTR1024	WTR1024
10	Drain Valve	DRV1000	DRV1000	DRV1000	DRV1000
11	Pilot Assembly NAT	PLT1511	PLT1511	PLT1511	PLT1511
11	Pilot Assembly LPG	PLT1512	PLT1512	PLT1512	PLT1512
12	Gas Valve NAT	VAL1041	VAL1041	VAL1041	VAL1041
12	Gas Valve LPG	VAL1065	VAL1065	VAL1065	VAL1065
13	Burner Assembly NAT	BNR1000	BNR1000	BNR1000	BNR1000
13	Burner Assembly LPG	BNR1001	BNR1001	BNR1001	BNR1001
13	Burner Assembly Low Nox (-SC)	BNR1043	BNR1043	BNR1043	BNR1043
14	Main Burner	BNR1059	BNR1059	BNR1059	BNR1059
14	Main Burner Low Nox (-SC)	BNR1100	BNR1100	BNR1100	BNR1100
15	Flange Combustion Box	MSC1004	MSC1004	MSC1004	MSC1004
16	Combustion Box Gasket - top/bottom	GKT1004	GKT1004	GKT1004	GKT1004
17	Combustion Box Gasket - side	GKT1007	GKT1007	GKT1007	GKT1007
18	Sight Glass	MSC1002	MSC1002	MSC1002	MSC1002
19	Sight Glass Gasket	GKT1024	GKT1024	GKT1024	GKT1024
20	Upper Temperature Sensor	TST1187	TST1187	TST1187	TST1187
21	Lower Temperature Sensor	TST1188	TST1188	TST1188	TST1188
22	Utility Cover	JKT1212	JKT1212	JKT1212	JKT1212
23	Air Inlet Boot	MSC1016	MSC1016	MSC1016	MSC1016
24	Dilution Air Tee	MSC1001	MSC1001	MSC1001	MSC1001
25	Collector Nipple Gasket	GKT1000	GKT1000	GKT1000	GKT1000
26	Blower Outlet Connection	FAN1003	FAN1003	FAN1003	FAN1003
27	Blower Outlet Flange Gasket	GKT1001	GKT1001	GKT1001	GKT1001
28	Flue Collector Gasket	GKT1002	GKT1002	GKT1002	GKT1002
29	High Limit Switch	PRS1022	PRS1022	PRS1022	PRS1022
30	Transformer	TRF1038	TRF1038	TRF1038	TRF1038
31	Thermostat Potentiometer	TST1091	TST1091	TST1091	TST1091
32	Potentiometer Knob	TST1096	TST1096	TST1096	TST1096
33	Thermostat Control Board	TST1292	TST1292	TST1292	TST1292
34	Ignition Module	RLY1004	RLY1004	RLY1004	RLY1004
35	Terminal Block	BLK1003	BLK1003	BLK1003	BLK1003
36	Main Power Switch	MSC1000	MSC1000	MSC1000	MSC1000

Please provide model & serial number when ordering parts.

Apr-07 Printed in U.S.A.

## Free Manuals Download Website

<http://myh66.com>

<http://usermanuals.us>

<http://www.somanuals.com>

<http://www.4manuals.cc>

<http://www.manual-lib.com>

<http://www.404manual.com>

<http://www.luxmanual.com>

<http://aubethermostatmanual.com>

Golf course search by state

<http://golfingnear.com>

Email search by domain

<http://emailbydomain.com>

Auto manuals search

<http://auto.somanuals.com>

TV manuals search

<http://tv.somanuals.com>