



Lochinvar[®]
High Efficiency Water Heaters, Boilers and Pool Heaters

**KNIGHT
HEATING BOILER
Submittal Sheet**

KBN-Sub-09

KNIGHT[®] FLOOR STANDING AND WALL MOUNT HEATING BOILERS

JOB NAME _____

LOCATION _____

ARCH./ENGR. _____

WHOLESALER _____

MECH. CONTRACTOR _____

MODEL NO. _____

TYPE GAS _____

Btu/hr INPUT _____

Btu/hr OUTPUT _____

NOTES

Standard Features

- > Energy Star[®] Qualified
- > Up to 96% DOE AFUE Efficiency
- > Modulating Burner with 5:1 Turndown
- > Direct-Spark Ignition
- > Low NOx Operation
- > Field Convertible from Natural to LP Gas
- > Vertical & Horizontal Direct-Vent
- > PVC, CPVC or SS Venting up to 100 Feet
- > Factory Supplied Sidewall Vent Termination
- > ASME Stainless Steel Heat Exchanger
- > Automatic Reset High Limit
- > Inlet & Outlet Temperature Sensors
- > Boiler Circulating Pump
- > 30 psi ASME Relief Valve
- > Adjustable Leveling Legs (KB Models only)
- > Wall Mount Bracket (WB Models only)
- > Zero Clearances to Combustible Material
- > 12 Year Limited Warranty (See Warranty for Details)

SMART SYSTEM[™] Features

- > SMART SYSTEM Digital Operating Control
- > 2 line, 16 Character Display
- > Dual Level Password Security
- > Domestic Hot Water Prioritization
- > Built in Cascading Sequencer for up to 8 Boilers
- > 0-10 VDC Input Control
- > Outdoor Reset Control with Outdoor Air Sensor
- > Low Water Flow Safety Control & Indication
- > Alarm on Any Failure Contacts
- > Service Reminder
- > Freeze Protection
- > Night Setback
- > Time Clock
- > Three Pump Control (System, Boiler & DHWP)
- > Data Logging
 - > Examples: Hours Running, Space Heating
- > Programmable System Efficiency Optimizers
 - > Examples: Anti-cycling, Ramp Delay

Optional Equipment

Place an X in the box by all options that apply

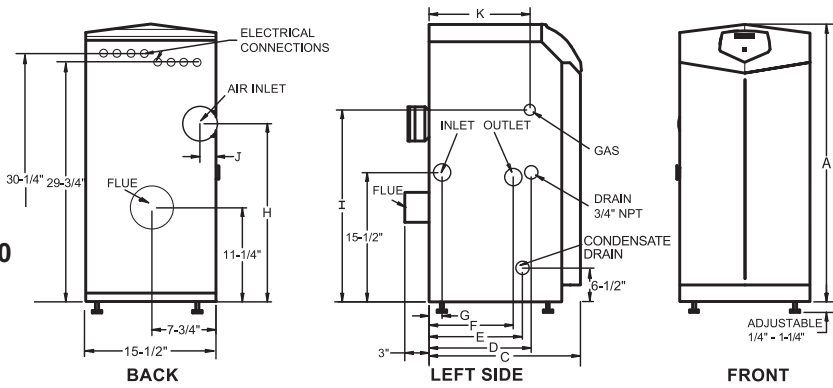
- Adjustable High Limit w/ Manual Reset
- Flow Switch
- Low Water Cutoff w/Manual Reset & Test Alarm Bell
- Concentric Vent Kit
- Condensate Neutralization Kit
- SMART SYSTEM PC Software
- Multi-Stack Frame

Firing Codes

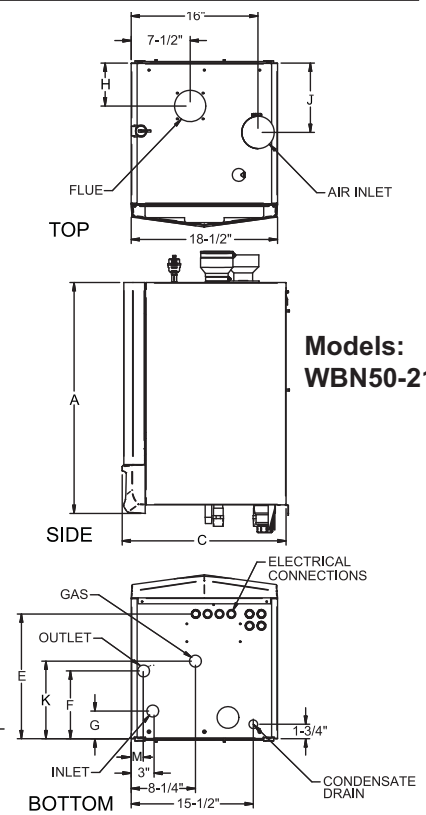
- M9 Standard Construction
- M7 California Code

KNIGHT Heating Boiler and Wall Mount Dimensions & Specifications

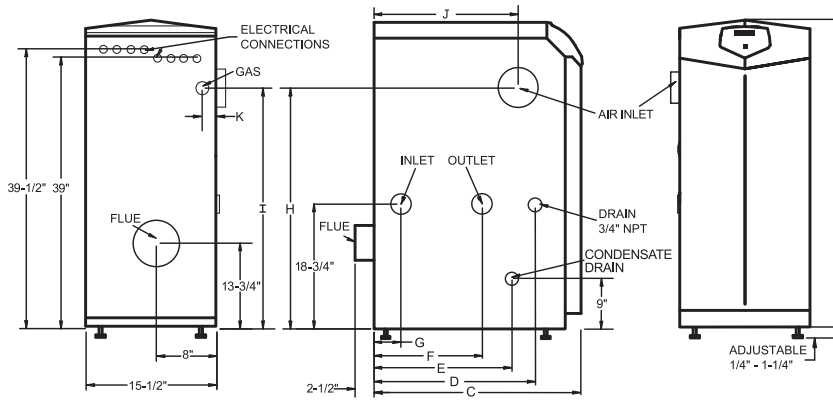
Models:
KBN80-210



Models:
WBN50-210



Models:
KBN285



KNIGHT Heating Boiler		Dimensions & Specifications																			
Model Number	Input		AFUE %	Heating Capacity		A	C	D	E	F	G	H	I	J	K	M	Gas Conn.	Water Conn.	Air Inlet	Vent Size	Shipping Weight
	Min MBH	Max MBH		NET	I=B=R																
WBN050	10	50	95.3	45	39	29-1/4"	15-3/4"	NA	10-3/4"	10-3/4"	2"	6-3/4"	NA	3-1/4"	4-1/4"	2-3/4"	1/2"	1"	2"	2"	130
WBN080	16	80	95.3	72	63	29-1/4"	15-3/4"	NA	10-3/4"	10-3/4"	2"	6-3/4"	NA	3-1/4"	4-1/4"	2-3/4"	1/2"	1"	2"	2"	130
WBN105	21	105	95.4	94	82	29-1/4"	15-3/4"	NA	10-3/4"	10-3/4"	3-1/2"	5-1/2"	NA	3-1/4"	4-1/4"	2-3/4"	1/2"	1"	2"	2"	134
WBN150	30	150	95.5	135	119	29-1/4"	20-3/4"	NA	15-3/4"	8-1/2"	3-1/2"	5-1/2"	NA	8-3/4"	9-3/4"	1-1/2"	1/2"	1"	3"	3"	162
WBN210	42	210	95.7	190	165	29-1/4"	25"	NA	20"	12"	3-1/2"	5-1/2"	NA	13"	14"	1-1/2"	1/2"	1"	3"	3"	177
KBN080	16	80	95.3	72	63	33-1/4"	14"	7"	5-3/4"	5"	3"	20-1/2"	22"	1-3/4"	6-1/2"	NA	1/2"	1"	3"	3"	125
KBN105	21	105	95.4	94	82	33-1/4"	14"	6-1/2"	5-3/4"	4-1/2"	1-1/2"	20-1/2"	22"	1-3/4"	6-1/2"	NA	1/2"	1"	3"	3"	129
KBN150	30	150	95.5	135	119	33-1/4"	18"	12-1/4"	11-1/2"	10"	1-1/2"	21-1/4"	23"	1-3/4"	12"	NA	1/2"	1"	3"	3"	157
KBN210	42	210	95.7	190	165	33-1/4"	22-1/4"	16-1/2"	15-3/4"	14-1/4"	5-1/4"	21-1/4"	23"	1-3/4"	16-1/4"	NA	1/2"	1"	3"	3"	172
KBN285	57	285	96.0	260	226	42-1/2"	19-3/4"	12-3/4"	13-1/2"	6"	2"	34"	31"	11-3/4"	4-1/4"	NA	3/4"	1-1/4"	4"	4"	224

Notes: Performance data based on manufacturer's test results. Indoor installation only. All information subject to change. Change "N" to "L" for LP gas models.



Lochinvar
High Efficiency Water Heaters, Boilers and Pool Heaters



Lochinvar Corporation • 300 Maddox Simpson Pkwy • Lebanon, TN 37090 • 615-889-8900 / Fax: 615-547-1000

www.Lochinvar.com

Free Manuals Download Website

<http://myh66.com>

<http://usermanuals.us>

<http://www.somanuals.com>

<http://www.4manuals.cc>

<http://www.manual-lib.com>

<http://www.404manual.com>

<http://www.luxmanual.com>

<http://aubethermostatmanual.com>

Golf course search by state

<http://golfingnear.com>

Email search by domain

<http://emailbydomain.com>

Auto manuals search

<http://auto.somanuals.com>

TV manuals search

<http://tv.somanuals.com>