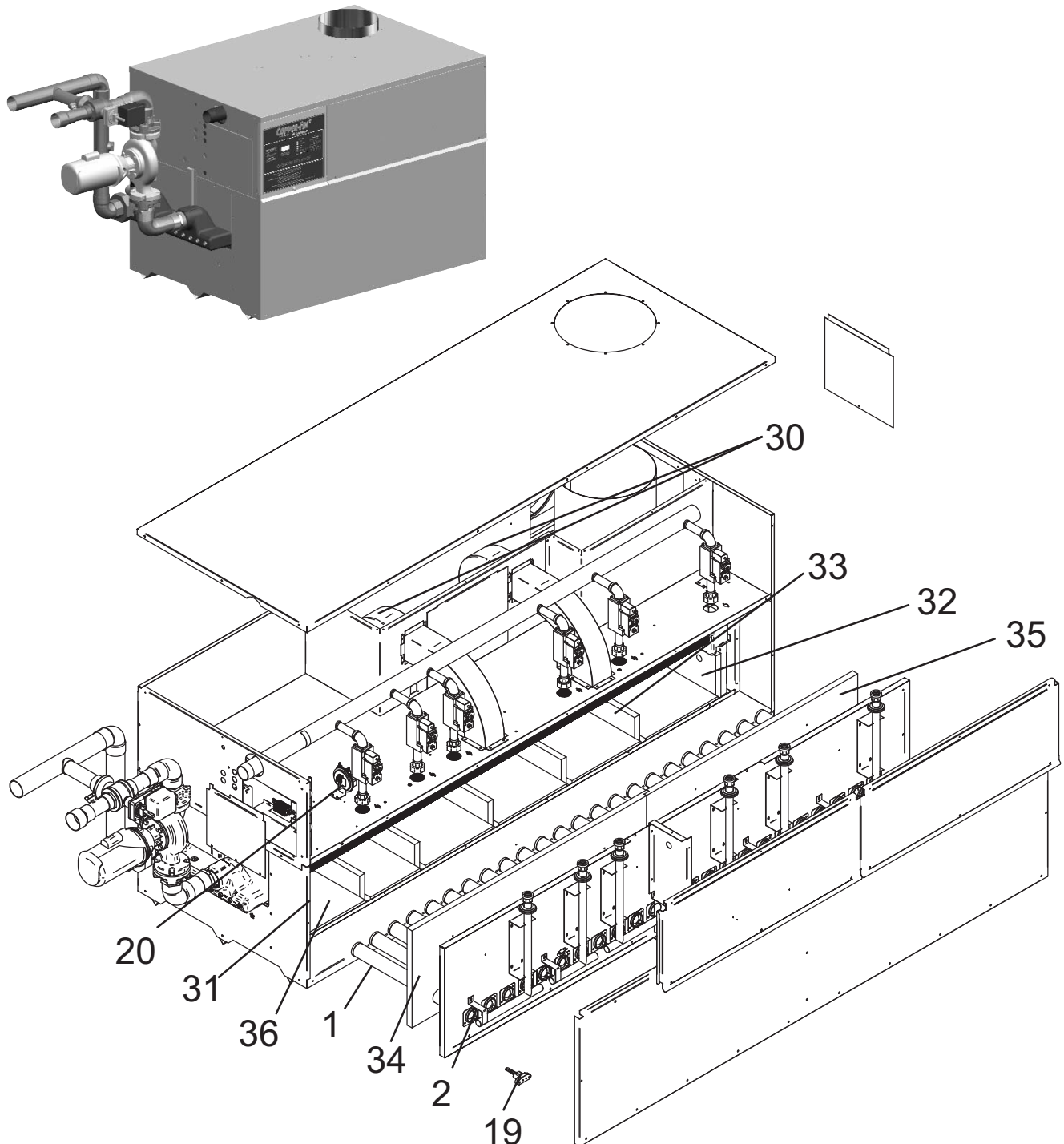




**PARTS AND SERVICE DEPARTMENT**  
 Nashville, Tennessee  
 615-889-8900 • Fax: 615-547-1000  
 www.Lochinvar.com

## Replacement Parts List

### Copper-Fin<sup>2</sup><sup>®</sup> Commercial Pool Heaters CP 991-2071





ITEM NO.	PART NO.	DESCRIPTION	MODEL NO.																								
<b>BURNERS</b>																											
1	BNR3422 IS MAIN BURNER. *BNR3423 IS MAIN BURNER W/ BARB PRESSURE TAP. *BEFORE SERIAL # E05H00176040.  **BNR3430 IS MAIN BURNER W/ COMP. FTG. PRESSURE TAP. **BEGINNING SERIAL # E05H00176040.	<table border="1"> <thead> <tr> <th>Model</th> <th>BNR3423*</th> <th>BNR3430**</th> <th>BNR3422</th> </tr> </thead> <tbody> <tr> <td>991</td> <td>1 ea</td> <td>1 ea</td> <td>10 ea</td> </tr> <tr> <td>1261</td> <td>1 ea</td> <td>1 ea</td> <td>13 ea</td> </tr> <tr> <td>1441</td> <td>1 ea</td> <td>1 ea</td> <td>15 ea</td> </tr> <tr> <td>1801</td> <td>1 ea</td> <td>1 ea</td> <td>19 ea</td> </tr> <tr> <td>2071</td> <td>1 ea</td> <td>1 ea</td> <td>22 ea</td> </tr> </tbody> </table>	Model	BNR3423*	BNR3430**	BNR3422	991	1 ea	1 ea	10 ea	1261	1 ea	1 ea	13 ea	1441	1 ea	1 ea	15 ea	1801	1 ea	1 ea	19 ea	2071	1 ea	1 ea	22 ea	
Model	BNR3423*	BNR3430**	BNR3422																								
991	1 ea	1 ea	10 ea																								
1261	1 ea	1 ea	13 ea																								
1441	1 ea	1 ea	15 ea																								
1801	1 ea	1 ea	19 ea																								
2071	1 ea	1 ea	22 ea																								
<b>GAS TRAIN ASSEMBLIES</b>																											
2	ORF2421	ORIFICE, NAT	CPN991-2071																								
2	ORF2418	ORIFICE, LP	CPL991-2071																								
3	VAL2076	GAS VALVE, NAT	CPN991-2071																								
3	VAL2413	GAS VALVE, LP	CPL991-2071																								
<b>CONTROLS &amp; GAUGES</b>																											
4	PAN3025	CONTROL PANEL BEGINNING SERIAL# F0600187510	ALL																								
4	PAN3012	CONTROL PANEL BEFORE SERIAL# F0600187510	ALL																								
5	RLY2904	ELECTRONIC CONTROL BEGINNING SERIAL# F0600187510	ALL																								
5	RLY2038	ELECTRONIC CONTROL BEFORE SERIAL# F0600187510	ALL																								
6	RLY2044	DISPLAY BOARD	ALL																								
7	RLY2402	IGNITION MODULE	ALL																								
8	WTR2530	LOW WATER CUT-OFF, MANUAL RESET (OPTIONAL) PRIOR TO H08H00211349	ALL																								
8	WTR30000	LOW WATER CUT-OFF, MANUAL RESET (OPTIONAL) BEGINNING H08H00211349	ALL																								
8	WTR2528	LOW WATER CUT-OFF, AUTO RESET (OPTIONAL) PRIOR TO H08H00211349	ALL																								
8	WTR30001	LOW WATER CUT-OFF, AUTO RESET (OPTIONAL) BEGINNING H08H00211349	ALL																								
-	WTR2532	LOW WATER CUT-OFF PROBE (OPTIONAL) PRIOR TO H08H00211349	ALL																								
-	WTR2222	LOW WATER CUT-OFF PROBE (OPTIONAL) BEGINNING H08H00211349	ALL																								
-	WTR2533	LOW WATER CUT-OFF BOOT (OPTIONAL) PRIOR TO H08H00211349	ALL																								
-	WTR20000	LOW WATER CUT-OFF BOOT (OPTIONAL) BEGINNING H08H00211349	ALL																								
9	RLY2903	24V RELAY / OTHER OPTIONS	ALL																								
10	RLY3058	RELAY PUMP/MAINT.	ALL																								
11	TRF2010	TRANSFORMER 120VA	ALL																								
12	SWT2004	SWITCH	ALL																								
13	MSC2447	CIRCUIT BREAKER 7AMP	ALL																								
14	RLY2708	24V RELAY	ALL																								
15	RLY2051	RELAY/ LOUVER	ALL																								
16	RLY2714	TIME DELAY RELAY	ALL																								
17	SWT2006	ON/ OFF SWITCH	ALL																								
18	HLC2702	MANUAL RESET HIGH LIMIT	ALL																								
19	PLT3400	HOT SURFACE IGNITOR	ALL																								
20	PRS2014	AIR PRESSURE SWITCH, NAT BEGINNING SERIAL # F05	CPN991-1261																								
20	PRS2013	AIR PRESSURE SWITCH, NAT & LP BEGINNING SERIAL # F05	CPN1441-2071 & CPL991-2071																								
20	PRS2422	AIR PRESSURE SWITCH, NAT BEFORE SERIAL # F05	CP991-1261																								
20	PRS2426	AIR PRESSURE SWITCH, NAT BEFORE SERIAL # F05	CP1441-2071																								
20	PRS2010	AIR PRESSURE SWITCH, LP BEFORE SERIAL # F05	CP991-2071																								
21	GTP3000	GAUGE, TEMPERATURE	ALL																								
-	HLC2503	SWITCH, HIGH LIMIT, 110 DEGREE	ALL																								
<b>HEAT EXCHANGERS</b>																											
22	HEX3000	HEAT EXCHANGER	CP991																								
22	HEX3001	HEAT EXCHANGER	CP1261																								
22	HEX3002	HEAT EXCHANGER	CP1441																								
22	HEX3005	HEAT EXCHANGER CUPRO NICKEL	CP991																								
22	HEX3006	HEAT EXCHANGER CUPRO NICKEL	CP1261																								
22	HEX3007	HEAT EXCHANGER CUPRO NICKEL	CP1441																								
22	HEX3008	HEAT EXCHANGER CUPRO NICKEL - STANDARD	CP1801																								
22	HEX3009	HEAT EXCHANGER CUPRO NICKEL - STANDARD	CP2071																								
23	JKE2004	V-BAFFLE	CP991																								
23	JKE2005	V-BAFFLE	CP1261																								
23	JKE2006	V-BAFFLE	CP1441																								
23	JKE2007	V-BAFFLE	CP1801																								
23	JKE2008	V-BAFFLE	CP2071																								
24	JKE6159	FRAME RUNNER	CP991																								
24	JKE6160	FRAME RUNNER	CP1261																								
24	JKE6161	FRAME RUNNER	CP1441																								
24	JKE6162	FRAME RUNNER	CP1801																								
24	JKE6163	FRAME RUNNER	CP2071																								
25	GKT2418	HEAT SHIELD GASKET	ALL																								
26	JKD6187	FRAME END	ALL																								

NOTE: CP = POOL HEATER  
PLEASE HAVE MODEL NUMBER AND SERIAL NUMBER WHEN ORDERING PARTS.

ITEM NO.	PART NO.	DESCRIPTION	MODEL NO.
<b>MISCELLANEOUS</b>			
27	TST2300	BULBWELL	ALL
28	RLV2017	RELIEF VALVE, T & P	ALL
29	ARM3024PABTE	PUMP	CP991-1441
29	ARM3072PABTE	PUMP	CP1801-2071
30	FAN2009	FAN ASSEMBLY	CP991-1261
30	FAN2010	FAN ASSEMBLY	CP1441-2071
-	WTR2080	FLOW SWITCH	ALL
-	MSC3415	SIGHT GLASS KIT	ALL
-	GKT3408	GASKET STRIP 45"	ALL
-	PRS2701	PRESSURE ALUMINUM TAP	ALL
-	TUB2002	TUBING-AIR PRESSURE/GRAY 3/16 x 5/16	ALL
-	MSC2155	TEE, AIR PRESSURE TUBE	ALL
-	MSC2156	TEE FITTING, CAP AIR PRESSURE TUBE	ALL
-	MSC2461	TUBING SILICONE/CLEAR 1/8" SILICONE	ALL
-	MSC2406	TUBING-EPDM 1/8 I.D.	ALL
-	MSC7119	BULBWELL CLIP	ALL
-	GKT2023	TRANSITION GASKET/FAN, DUCT	ALL
-	PIP4031	PIPING LOOP 2 1/2 HORIZONTAL BEGINNING SERIAL # F0600187510	ALL
-	PIP4033	PIPING LOOP 2 1/2 VERTICAL BEGINNING SERIAL# F0600187510	ALL
-	PIP3010	PIPING LOOP 2 1/2 HORIZONTAL BEFORE SERIAL# F0600187510	ALL
-	PIP3011	PIPING LOOP 2 1/2 VERTICAL BEFORE SERIAL# F0600187510	ALL
-	VAL2125	BYPASS VALVE	ALL
-	PRS2004	PRESSURE SWITCH/LOW GAS	ALL
-	PRS2406	PRESSURE SWITCH/ WATER	ALL
-	MSC2527	TOGGLE SWITCH (FOR LWCO OPTION)	ALL
-	TST2313	TEMPERATURE SENSOR	ALL
<b>LOCH-HEAT TILE</b>			
31	FIB2204	FRONT, HEAD, SIDE, PANEL	ALL
32	FIB2205	REAR, HEAD SIDE PANEL	ALL
33	FIB2228	DIVIDER PANEL	ALL
34	FIB2231	INSULATION PAD, FRONT	991
34	FIB2232	INSULATION PAD, FRONT	1261
34	FIB2233	INSULATION PAD, FRONT LEFT	1441
34	FIB2220	INSULATION PAD, FRONT LEFT	1801
34	FIB2224	INSULATION PAD, FRONT LEFT	2071
35	FIB2234	INSULATION PAD, FRONT RIGHT	1441
35	FIB2236	INSULATION PAD, FRONT RIGHT	1801
35	FIB2255	INSULATION PAD, FRONT RIGHT	2071
-	FIB2472	BACK PANEL	991
-	FIB2456	BACK PANEL	1261
-	FIB2457	BACK LEFT PANEL	1441
-	FIB2458	BACK LEFT PANEL	1801
-	FIB2459	BACK LEFT PANEL	2071
-	FIB2455	BACK RIGHT PANEL	1441-2071
-	FIB2258	INSULATION PAD, BACK	991-1441
-	FIB2260	INSULATION PAD, BACK	1801-2071
-	FIB2257	INSULATION PAD, TOP	991-1441
-	FIB2259	INSULATION PAD, TOP	1801-2071
-	FIB2256	INSULATION PAD, RIGHT SIDE	ALL
<b>LOCH-HEAT TILE BOTTOM PANELS</b>			
<b>991 Models</b>			
36	FIB2206	BOTTOM PANEL POSITION 1*	
36	FIB2207	BOTTOM PANEL POSITION 2*	
36	FIB2208	BOTTOM PANEL POSITION 3*	
<b>1261 Models</b>			
36	FIB2211	BOTTOM PANEL POSITION 1*	
36	FIB2212	BOTTOM PANEL POSITION 2 & 3*	
36	FIB2207	BOTTOM PANEL POSITION 4*	
<b>1441 Models</b>			
36	FIB2218	BOTTOM PANEL POSITION 1*	
36	FIB2207	BOTTOM PANEL POSITION 2 & 3*	
36	FIB2219	BOTTOM PANEL POSITION 4*	
<b>1801 Models</b>			
36	FIB2222	BOTTOM PANEL POSITION 1*	
36	FIB2207	BOTTOM PANEL POSITION 2, 3, & 4*	
36	FIB2223	BOTTOM PANEL POSITION 5*	
<b>2071 Models</b>			
36	FIB2226	BOTTOM PANEL POSITION 1*	
36	FIB2212	BOTTOM PANEL POSITION 2*	
36	FIB2207	BOTTOM PANEL POSITION 3, 4, & 5*	
36	FIB2227	BOTTOM PANEL POSITION 6*	
<b>*DENOTES PLACEMENT ORDER OF COMBUSTION CHAMBER BOTTOM TILE FROM LEFT TO RIGHT (FRONT TO REAR)</b>			
<b>NOTE: CP = POOL HEATER PLEASE HAVE MODEL NUMBER AND SERIAL NUMBER WHEN ORDERING PARTS</b>			

## Free Manuals Download Website

<http://myh66.com>

<http://usermanuals.us>

<http://www.somanuals.com>

<http://www.4manuals.cc>

<http://www.manual-lib.com>

<http://www.404manual.com>

<http://www.luxmanual.com>

<http://aubethermostatmanual.com>

Golf course search by state

<http://golfingnear.com>

Email search by domain

<http://emailbydomain.com>

Auto manuals search

<http://auto.somanuals.com>

TV manuals search

<http://tv.somanuals.com>