

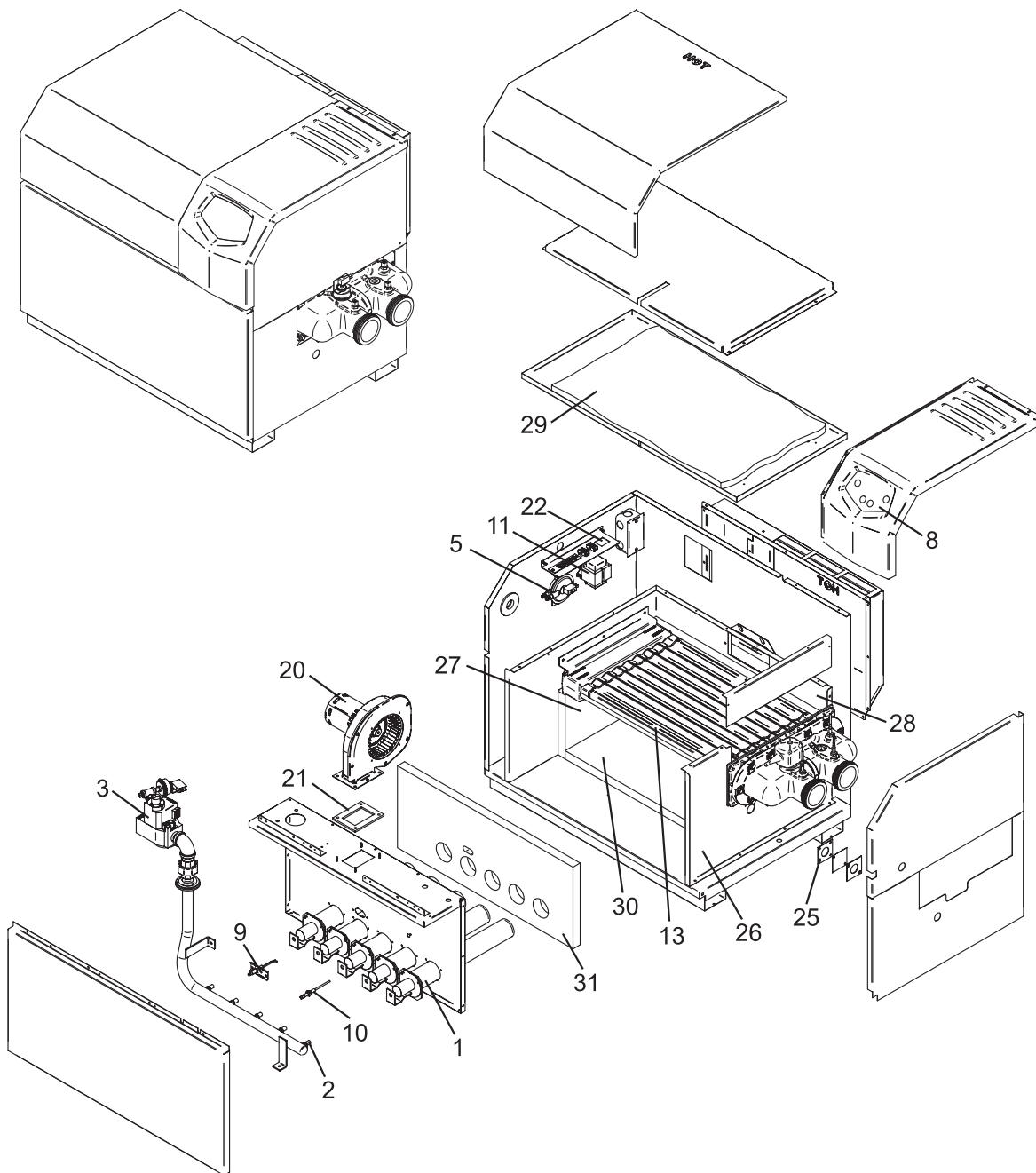


PARTS & SERVICE DEPARTMENT
 Nashville, Tennessee
 615-889-8900 • Fax: 615-547-1000
 www.Lochinvar.com

Replacement Parts List

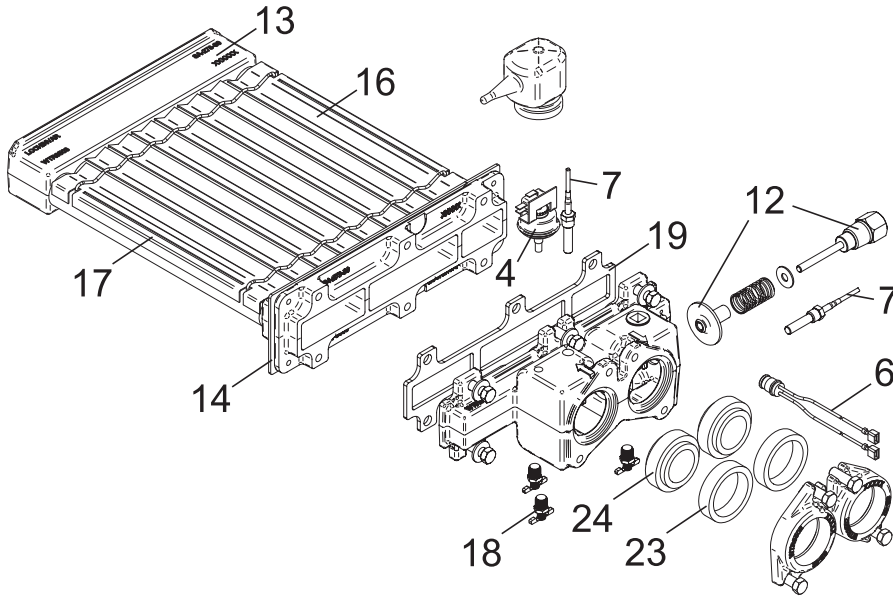
EnergyRite[®]
Pool & Spa Heater

Residential Pool Heaters
 ER(N, L) 152-402

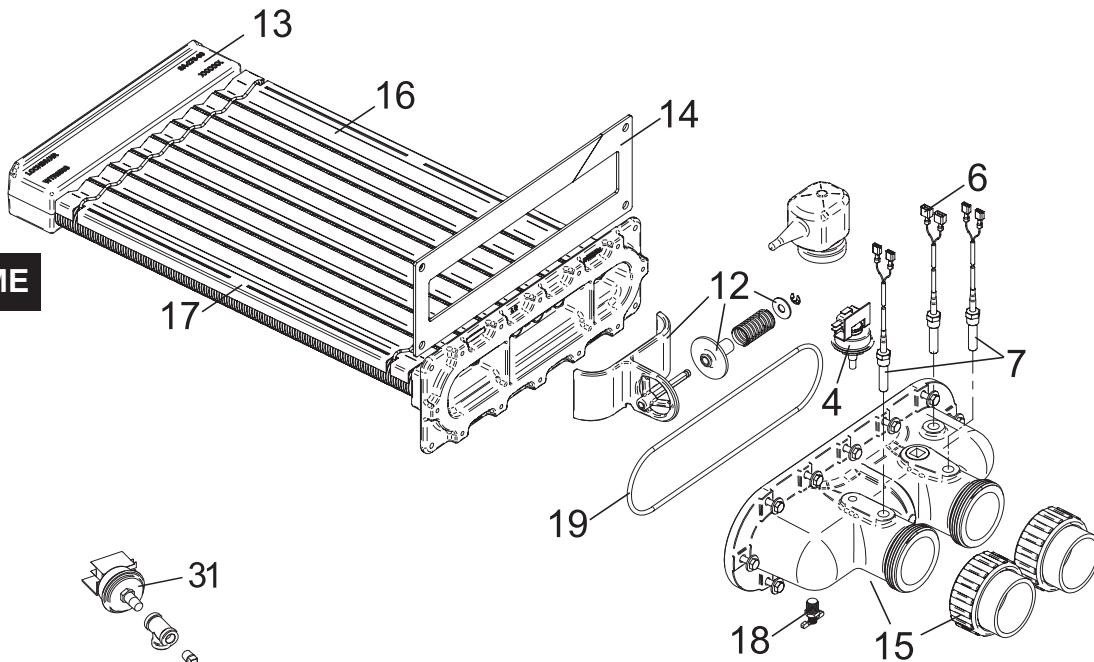


HEAT EXCHANGER ASSEMBLIES

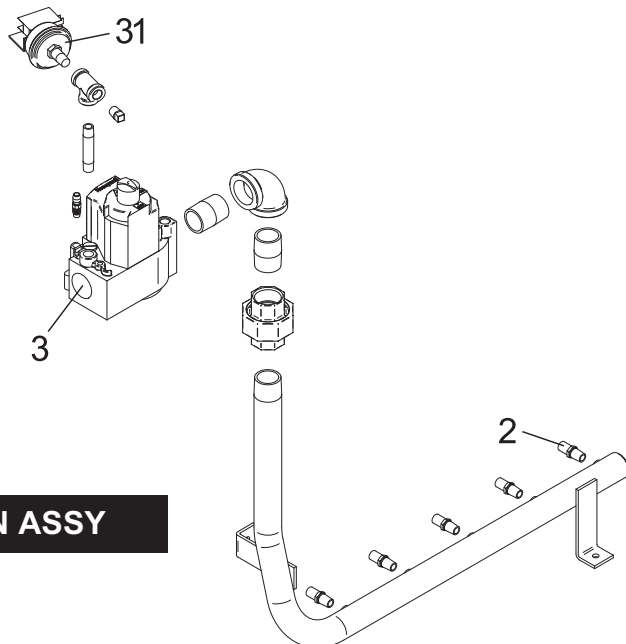
ASME



NON-ASME



GAS TRAIN ASSY



ITEM NO.	PART NO.	DESCRIPTION	MODEL NO.	
BURNERS				
1	BNR3417 MAIN BURNER	MODEL	BNR3417	BNR3416
		ER152	2 ea	1 ea
		ER202	3 ea	1 ea
	BNR3416 BURNER W/ PRESSURE TAP	ER252	4 ea	1 ea
		ER302	5 ea	1 ea
		ER402	7 ea	1 ea
GAS TRAIN ASSEMBLIES				
2	ORF2406	ORIFICE NATURAL	ALL	
2	ORF2051	ORIFICE LPG	ALL	
3	VAL3412	IGNITION / GAS VALVE NATURAL	ALL	
3	VAL3413	IGNITION / GAS VALVE LPG	ALL	
32	PRS2004	SWITCH, GAS PRESSURE	ER252-402	
CONTROLS & GAUGES				
4	PRS3406	SWITCH, WATER PRESSURE	ALL	
5	PRS3428	SWITCH, AIR PRESSURE	ALL	
6	HLC2910	HIGH LIMIT 175 DEGREE	ALL ASME	
6	TST2052	HIGH LIMIT 175 DEGREE	ALL NON-ASME	
7	TST2050	SENSOR, EMERSION, INLET	ALL	
7	TST2054	SENSOR, EMERSION, OUTLET	ALL	
8	RLY3090	INTEGRATED CONTROL	ALL	
9	PLT3025	IGNITOR, SPARK	ALL	
10	PLT2604	FLAME ROD	ALL	
11	TRF2012	TRANSFORMER, 120V/240 TO 24V	ALL	
12	MSC3403	BYPASS ASSEMBLY	ALL ASME	
12	MSC3404	BYPASS ASSEMBLY	ALL NON-ASME	
HEAT EXCHANGERS				
13	HEX3091	HEAT EXCHANGER (NO HEADER PARTS)	ER152	
13	HEX3092	HEAT EXCHANGER (NO HEADER PARTS)	ER202	
13	HEX3093	HEAT EXCHANGER (NO HEADER PARTS)	ER252	
13	HEX3094	HEAT EXCHANGER (NO HEADER PARTS)	ER302	
13	HEX3095	HEAT EXCHANGER (NO HEADER PARTS)	ER402	
13	HEX3106	CUPRO NICKEL HEAT EXCHANGER (NO HEADER PARTS)	ER152	
13	HEX3107	CUPRO NICKEL HEAT EXCHANGER (NO HEADER PARTS)	ER202	
13	HEX3108	CUPRO NICKEL HEAT EXCHANGER (NO HEADER PARTS)	ER252	
13	HEX3118	CUPRO NICKEL HEAT EXCHANGER (NO HEADER PARTS)	ER302	
13	HEX3119	CUPRO NICKEL HEAT EXCHANGER (NO HEADER PARTS)	ER402	
13	HEX3096	HEAT EXCHANGER ASME (WITH HEADER)	ER152	
13	HEX3097	HEAT EXCHANGER ASME (WITH HEADER)	ER202	
13	HEX3098	HEAT EXCHANGER ASME (WITH HEADER)	ER252	
13	HEX3099	HEAT EXCHANGER ASME (WITH HEADER)	ER302	
13	HEX3100	HEAT EXCHANGER ASME (WITH HEADER)	ER402	
13	HEX3101	CUPRO NICKEL HEAT EXCHANGER ASME (WITH HEADER)	ER152	
13	HEX3102	CUPRO NICKEL HEAT EXCHANGER ASME (WITH HEADER)	ER202	
13	HEX3103	CUPRO NICKEL HEAT EXCHANGER ASME (WITH HEADER)	ER252	
13	HEX3104	CUPRO NICKEL HEAT EXCHANGER ASME (WITH HEADER)	ER302	
13	HEX3105	CUPRO NICKEL HEAT EXCHANGER ASME (WITH HEADER)	ER402	
14	GKT2400	GASKET, HEAT SHIELD	ALL ASME	
14	GKT2390	GASKET, HEAT SHIELD	ALL NON-ASME	
15	WTR3000	HEADER WITH CONNECTION KIT	ALL NON-ASME	
-	WTR3001	HEADER CONNECTION KIT	ALL NON-ASME	
MISCELLANEOUS				
16	JKD2266	V-BAFFLE (6 PER HEX)	ER152	
16	JKD2267	V-BAFFLE (6 PER HEX)	ER202	
16	JKD2268	V-BAFFLE (6 PER HEX)	ER252	
16	JKD2269	V-BAFFLE (6 PER HEX)	ER302	
16	JKD2270	V-BAFFLE (6 PER HEX)	ER402	

ITEM NO.	PART NO.	DESCRIPTION	MODEL NO.
MISCELLANEOUS (Continued)			
17	JKD6964	FRAME RUNNERS (2 PER HEX)	ER152
17	JKD6965	FRAME RUNNERS (2 PER HEX)	ER202
17	JKD6966	FRAME RUNNERS (2 PER HEX)	ER252
17	JKD6967	FRAME RUNNERS (2 PER HEX)	ER302
17	JKD6968	FRAME RUNNERS (2 PER HEX)	ER402
18	DRV2400	DRAIN COCK	ALL
19	GKT2412	GASKET, HEADER	ALL ASME
19	GKT2150	GASKET, HEADER	ALL NON-ASME
20	FAN3040	COMBUSTION FAN	ER152
20	FAN3041	COMBUSTION FAN	ER202-402
21	GKT2009	FAN GASKET	ALL
22	SWT2012	ON / OFF SWITCH	ALL
23	GKT2413	GASKET, FLANGE 2"	ALL ASME
24	GKT2414	GASKET, 1-1/2"	ALL ASME
25	MSC3415	SIGHT GLASS ASSEMBLY	ALL
-	WTR3502	FLANGE	ALL ASME
-	GKT3408	GASKET STRIP MANNING GLASS	ALL
-	MSC2706	TUBING-EPDM 1/4"	ALL
-	GKT2427	GASKET, ESCUTCHEON 3/4" PIPE	ALL
-	GKT2053	GASKET, TAPE 1/8" X 1/2" OPEN CELL NEOPRENE	ALL
-	GKT2715	GASKET, TAPE 1/4" X 5/8" SILICONE SPONGE	ALL
-	RLV2011	RELIEF VALVE, 50 PSI	ALL ASME
-	RLV2011	RELIEF VALVE, 50 PSI (OPTIONAL)	ALL NON-ASME
-	MSC2461	SILICONE TUBING	ALL
-	WTR3501	FRONT HEADER	ALL ASME
LOCH-HEAT TILE			
26	FIB2237	INSULATION, FRONT-HEAD SIDE PANEL	ALL
27	FIB2238	INSULATION, REAR-HEAD SIDE PANEL	ALL
28	FIB2171	INSULATION, BACK PANEL	ER152
28	FIB2175	INSULATION, BACK PANEL	ER202
28	FIB2178	INSULATION, BACK PANEL	ER252
28	FIB2181	INSULATION, BACK PANEL	ER302
28	FIB2184	INSULATION, BACK PANEL	ER402
29	FIB2800	INSULATION, TOP	ER152
29	FIB2801	INSULATION, TOP	ER202
29	FIB2802	INSULATION, TOP	ER252
29	FIB2803	INSULATION, TOP	ER302
29	FIB2816	INSULATION, TOP	ER402
30	FIB2172	INSULATION, BOTTOM PANEL	ER152
30	FIB2176	INSULATION, BOTTOM PANEL	ER202
30	FIB2179	INSULATION, BOTTOM PANEL	ER252
30	FIB2182	INSULATION, BOTTOM PANEL	ER302
30	FIB2185	INSULATION, BOTTOM PANEL	ER402
31	FIB2173	INSULATION, FRONT PANEL	ER152
31	FIB2177	INSULATION, FRONT PANEL	ER202
31	FIB2180	INSULATION, FRONT PANEL	ER252
31	FIB2183	INSULATION, FRONT PANEL	ER302
31	FIB2186	INSULATION, FRONT PANEL	ER402

Free Manuals Download Website

<http://myh66.com>

<http://usermanuals.us>

<http://www.somanuals.com>

<http://www.4manuals.cc>

<http://www.manual-lib.com>

<http://www.404manual.com>

<http://www.luxmanual.com>

<http://aubethermostatmanual.com>

Golf course search by state

<http://golfingnear.com>

Email search by domain

<http://emailbydomain.com>

Auto manuals search

<http://auto.somanuals.com>

TV manuals search

<http://tv.somanuals.com>