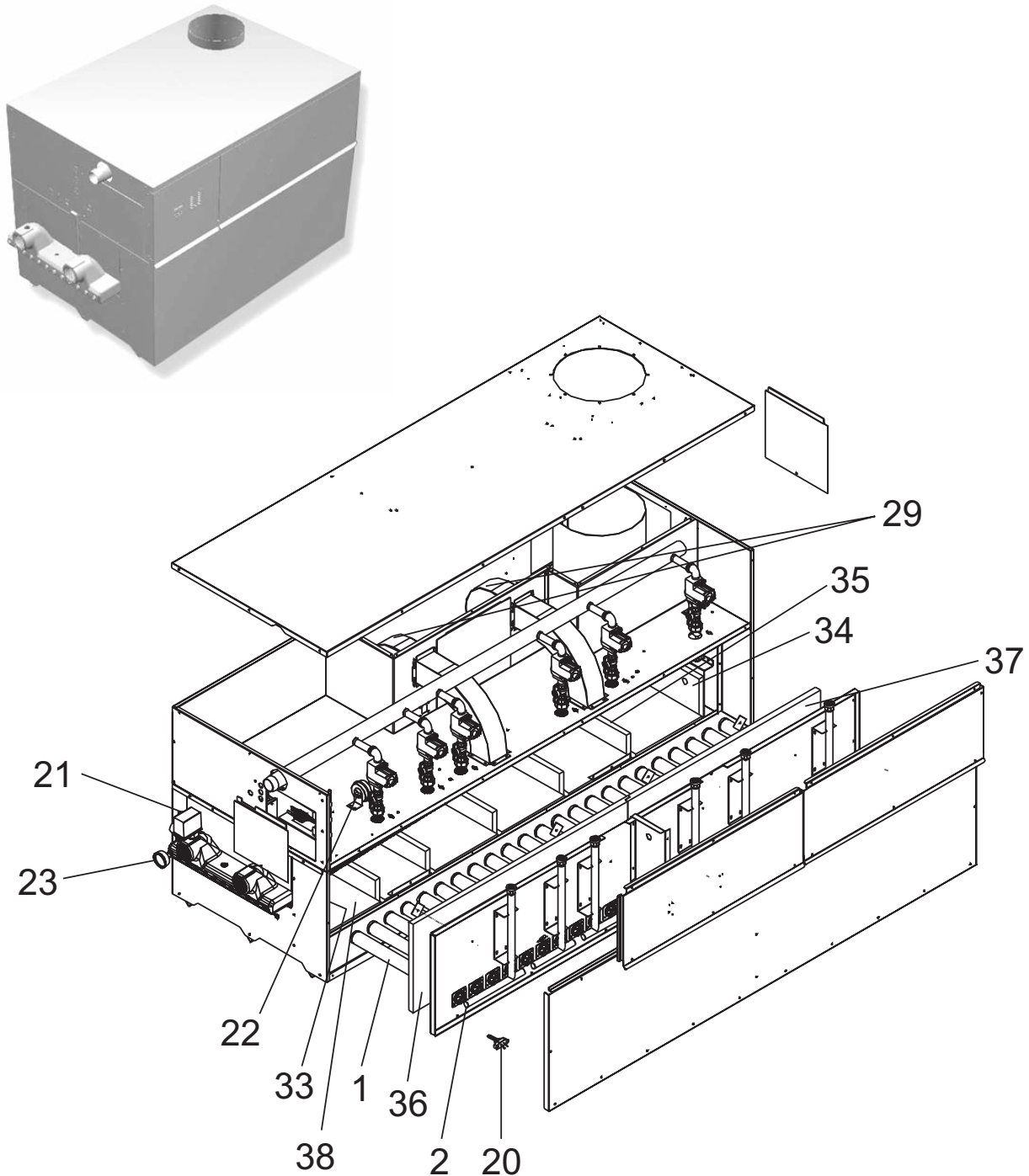




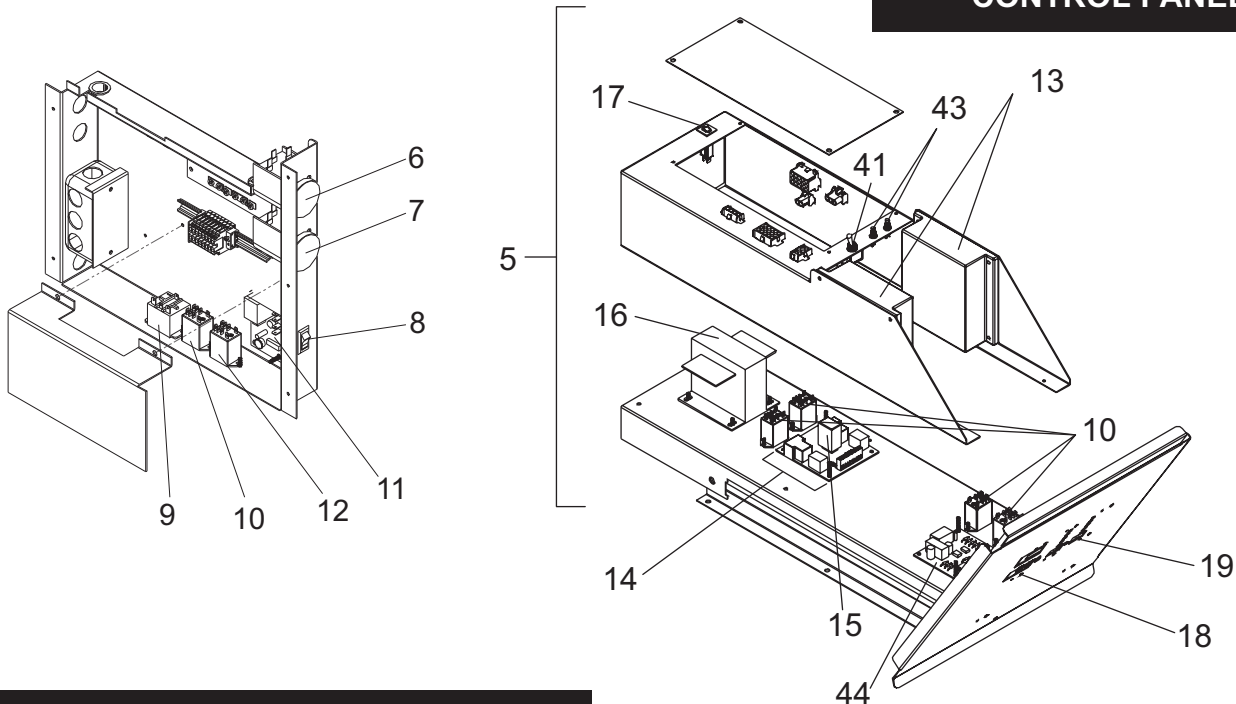
**PARTS AND SERVICE DEPARTMENT**  
 Nashville, Tennessee  
 615-889-8900 • Fax: 615-547-1000  
 www.Lochinvar.com

## Replacement Parts List

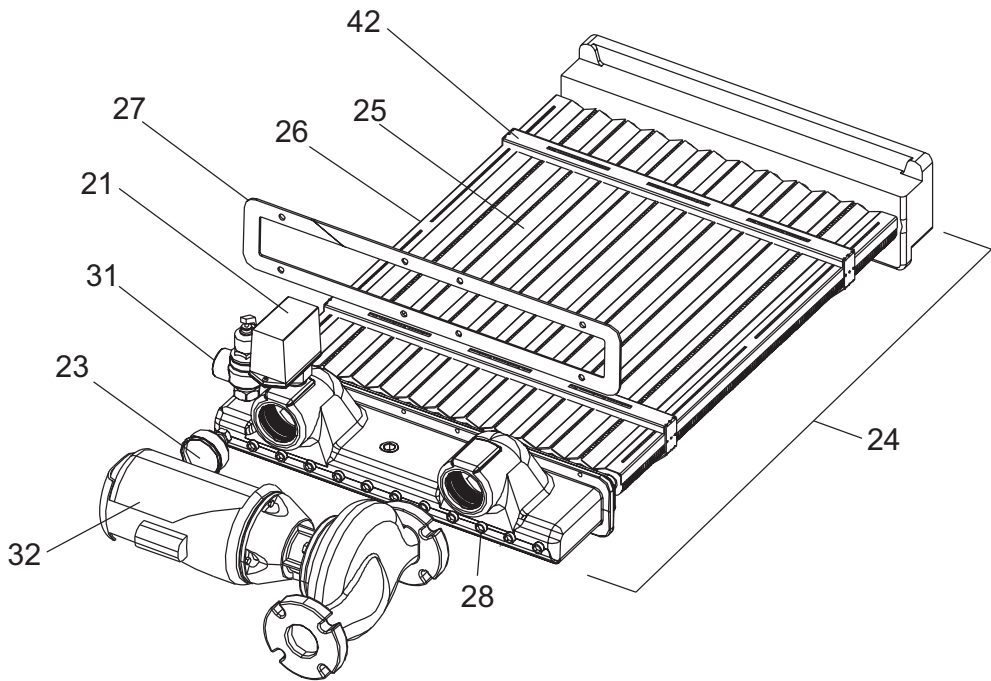
### Copper-Fin II® Boilers & Water Heaters CH – CF 991-2071



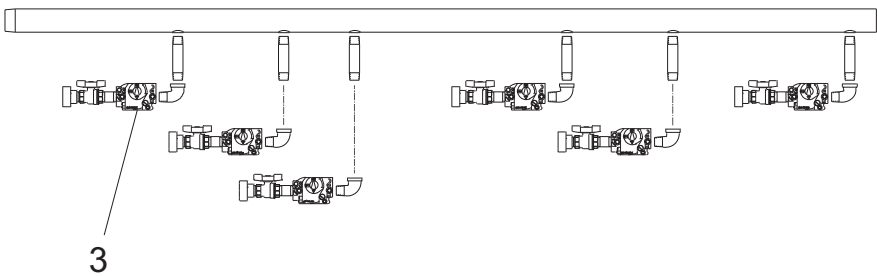
**CONTROL PANEL**



**HEAT EXCHANGER ASSEMBLY**



**GAS TRAIN**



ITEM NO.	PART NO.	DESCRIPTION	MODEL NO.
<b>BURNERS</b>			
1	BNR3422 MAIN BURNER. *BNR3423 MAIN BURNER W/ BARB PRESSURE TAP. *BEFORE SERIAL # E05H00176040. **BNR3430 IS MAIN BURNER W/ COMP. TAP. **AFTER SERIAL # E05H00176040.	<b>Model</b>	
		991	2 ea
		1261	2 ea
		1441	2 ea
		1801	2 ea
		2071	2 ea
<b>GAS TRAIN ASSEMBLIES</b>			
2	ORF2421	ORIFICE, NAT	C(F,H)N991-2071
2	ORF2418	ORIFICE, LP	C(F,H)L991-2071
3	VAL2076	GAS VALVE, NAT	C(F,H)N991-2071
3	VAL2413	GAS VALVE, LP	C(F,H)L991-2071
4	VAL2421	BALL VALVE	ALL
<b>CONTROLS &amp; GAUGES</b>			
5	PAN3008	CONTROL BOARD	ALL
6	HLC2701	HIGH LIMIT (Optional)	ALL
7	HLC2702	MANUAL RESET HIGH LIMIT	ALL
8	SWT2002	ON/OFF SWITCH	ALL
9	RLY2708	24V RELAY	ALL
10	RLY2903	24V RELAY	ALL
11	RLY2714	TIME DELAY RELAY	ALL
12	RLY2051	RELAY	ALL
13	RLY2402	IGNITION MODULE	ALL
14	RLY2049	RELAY BOARD	ALL
15	RLY2050	RELAY	ALL
16	TRF2701	TRANSFORMER 150VA	ALL
17	MSC2447	CIRCUIT BREAKER 7AMP	ALL
18	RLY2046	ELECTRONIC CONTROL (991 BEFORE SERIAL # A05H00173023)	1261-2071
18	RLY2083	ELECTRONIC CONTROL AFTER SERIAL # A05H00173023	991
-	TST2313	TEMPERATURE SENSOR	ALL
19	RLY2044	INDICATOR PANEL	ALL
20	PLT3400	HOT SURFACE IGNITOR	ALL
21	WTR2041	FLOW SWITCH	ALL
22	PRS2422	PRESSURE SWITCH, NAT BEFORE SERIAL #E05H00176040	991-1261
22	PRS2014	PRESSURE SWITCH, NAT AFTER SERIAL #E05H00176040	991-1261
22	PRS2426	PRESSURE SWITCH, NAT BEFORE SERIAL #E05H00176040	1441-2071
22	PRS2013	PRESSURE SWITCH, NAT AFTER SERIAL #E05H00176040	1441-2071
22	PRS2010	PRESSURE SWITCH, L.P. BEFORE SERIAL #E05H00176040	991-2071
22	PRS2013	PRESSURE SWITCH, L.P. AFTER SERIAL #E05H00176040	991-2071
23	GTP2900	PRESSURE ,TEMP. GAUGE	CH991-2071
23	GTP3000	GAUGE, TEMPERATURE	CF991-2071
<b>HEAT EXCHANGERS</b>			
24	HEX3000	HEAT EXCHANGER	CF991
24	HEX3001	HEAT EXCHANGER	CF1261
24	HEX3002	HEAT EXCHANGER	CF1441
24	HEX3003	HEAT EXCHANGER	CF1801
24	HEX3004	HEAT EXCHANGER	CF2071
24	HEX3420	HEAT EXCHANGER	CH991
24	HEX3421	HEAT EXCHANGER	CH1261
24	HEX3422	HEAT EXCHANGER	CH1441
24	HEX3423	HEAT EXCHANGER	CH1801
24	HEX3424	HEAT EXCHANGER	CH2071
25	JKE6078	V-BAFFLE	991
25	JKE6079	V-BAFFLE	1261
25	JKE6080	V-BAFFLE	1441
25	JKE6081	V-BAFFLE	1801
25	JKE6082	V-BAFFLE	2071
26	JKE6159	FRAME RUNNER	991
26	JKE6160	FRAME RUNNER	1261
26	JKE6161	FRAME RUNNER	1441
26	JKE6162	FRAME RUNNER	1801
26	JKE6163	FRAME RUNNER	2071
27	GKT2418	HEAT SHIELD GASKET	ALL
28	TST2300	BULB WELL	ALL
<b>NOTE: CH = BOILER, CF = WATER HEATER</b>			
<b>PLEASE HAVE MODEL NUMBER AND SERIAL NUMBER WHEN ORDERING PARTS</b>			

ITEM NO.	PART NO.	DESCRIPTION	MODEL NO.
<b>MISCELLANEOUS</b>			
29	FAN2009	FAN ASSEMBLY	991-1261
29	FAN2010	FAN ASSEMBLY	1441-2071
30	JKE6411	AIR SHUTTER	ALL
31	RLV2001	RELIEF VALVE, PRESSURE ONLY	CH991-2071
31	RLV2017	RELIEF VALVE, TEMPERATURE & PRESSURE	CF991-2071
32	ARM3024PAB	PUMP	CF991-2071
41	MSC2527	TOGGLE SWITCH (MANUAL RESET HI LIMIT)	ALL
42	JKD6187	FRAME END	ALL
43	MSC2726	SWITCH (OPTIONAL)	ALL
44	WTR2530	LOW WATER CUT-OFF, MANUAL RESET (OPTIONAL) PRIOR TO H08H00211349	ALL
44	WTR30000	LOW WATER CUT-OFF, MANUAL RESET (OPTIONAL) BEGINNING H08H00211349	ALL
44	WTR2528	LOW WATER CUT-OFF, AUTO RESET (OPTIONAL) PRIOR TO H08H00211349	ALL
44	WTR30001	LOW WATER CUT-OFF, AUTO RESET (OPTIONAL) BEGINNING H08H00211349	ALL
-	WTR2532	LOW WATER CUT-OFF PROBE (OPTIONAL) PRIOR TO H08H00211349	ALL
-	WTR2222	LOW WATER CUT-OFF PROBE (OPTIONAL) BEGINNING H08H00211349	ALL
-	WTR2533	LOW WATER CUT-OFF BOOT (OPTIONAL) PRIOR TO H08H00211349	ALL
-	WTR20000	LOW WATER CUT-OFF BOOT (OPTIONAL) BEGINNING H08H00211349	ALL
-	MSC3415	SIGHT GLASS KIT	ALL
-	GKT3408	GASKET STRIP	ALL
-	PRS2701	PRESSURE ALUMINUM TAP	ALL
-	TUB2002	TUBING-AIR PRESSURE BEFORE SERIAL #E05H00176040	ALL
-	TUB2004	TUBING-AIR PRESSURE AFTER SERIAL #E05H00176040	ALL
-	MSC2155	TEE, AIR PRESSURE TUBE	ALL
-	MSC2156	TEE FITTING, CAP AIR PRESSURE TUBE	ALL
-	MSC2461	TUBING SILICONE	ALL
-	MSC2406	TUBING-EPDM 1/8 I.D.	ALL
-	MSC7119	BULB WELL CLIP	ALL
-	GKT2023	TRANSITION GASKET	ALL
<b>LOCH-HEAT TILE</b>			
33	FIB2204	FRONT, HEAD, SIDE, PANEL	ALL
34	FIB2205	REAR, HEAD SIDE PANEL	ALL
35	FIB2228	DIVIDER PANEL	ALL
36	FIB2202	INSULATION PAD, FRONT	991
36	FIB2210	INSULATION PAD, FRONT	1261
36	FIB2214	INSULATION PAD, FRONT LEFT	1441
36	FIB2220	INSULATION PAD, FRONT LEFT	1801
36	FIB2224	INSULATION PAD, FRONT LEFT	2071
37	FIB2215	INSULATION PAD, FRONT RIGHT	1441
37	FIB2221	INSULATION PAD FRONT RIGHT	1801
37	FIB2225	INSULATION PAD, FRONT RIGHT	2071
-	FIB2203	BACK PANEL	991
-	FIB2209	BACK PANEL	1261
-	FIB2216	BACK LEFT PANEL	1441
-	FIB2229	BACK LEFT PANEL	1801
-	FIB2230	BACK LEFT PANEL	2071
-	FIB2217	BACK RIGHT PANEL	1441-2071
-	FIB2258	INSULATION PAD, BACK	991-1441
-	FIB2260	INSULATION PAD, BACK	1801-2071
-	FIB2257	INSULATION PAD, TOP	991-1441
-	FIB2259	INSULATION PAD, TOP	1801-2071
-	FIB2256	INSULATION PAD, RIGHT SIDE	ALL
<b>LOCH-HEAT TILE BOTTOM PANELS</b>			
38	FIB2206	BOTTOM PANEL POSITION 1*	991
38	FIB2207	BOTTOM PANEL POSITION 2*	991
38	FIB2208	BOTTOM PANEL POSITION 3*	991
38	FIB2211	BOTTOM PANEL POSITION 1*	1261
38	FIB2212	BOTTOM PANEL POSITION 2 & 3*	1261
38	FIB2207	BOTTOM PANEL POSITION 4*	1261
38	FIB2218	BOTTOM PANEL POSITION 1*	1441
38	FIB2207	BOTTOM PANEL POSITION 2 & 3*	1441
38	FIB2219	BOTTOM PANEL POSITION 4*	1441
38	FIB2222	BOTTOM PANEL POSITION 1*	1801
38	FIB2207	BOTTOM PANEL POSITION 2, 3, & 4*	1801
38	FIB2223	BOTTOM PANEL POSITION 5*	1801
38	FIB2226	BOTTOM PANEL POSITION 1*	2071
38	FIB2212	BOTTOM PANEL POSITION 2*	2071
38	FIB2207	BOTTOM PANEL POSITION 3, 4, & 5*	2071
38	FIB2227	BOTTOM PANEL POSITION 6*	2071
*DENOTES PLACEMENT ORDER OF COMBUSTION CHAMBER BOTTOM TILE FROM LEFT TO RIGHT (FRONT TO REAR HEAT			
<b>NOTE: CH = BOILER, CF = WATER HEATER</b>			
<b>PLEASE HAVE MODEL NUMBER AND SERIAL NUMBER WHEN ORDERING PARTS</b>			

## Free Manuals Download Website

<http://myh66.com>

<http://usermanuals.us>

<http://www.somanuals.com>

<http://www.4manuals.cc>

<http://www.manual-lib.com>

<http://www.404manual.com>

<http://www.luxmanual.com>

<http://aubethermostatmanual.com>

Golf course search by state

<http://golfingnear.com>

Email search by domain

<http://emailbydomain.com>

Auto manuals search

<http://auto.somanuals.com>

TV manuals search

<http://tv.somanuals.com>