



PARTS & SERVICE DEPARTMENT

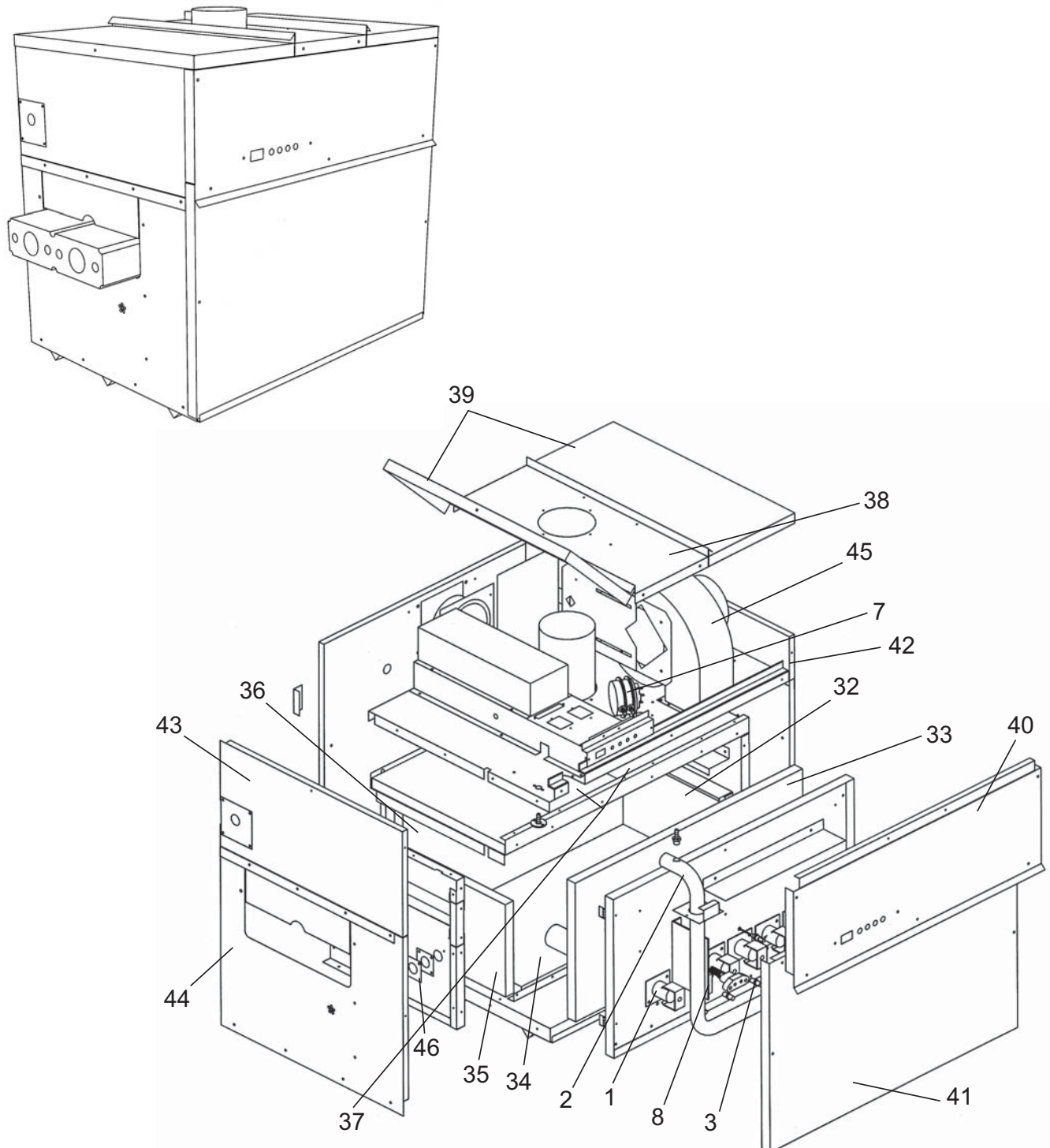
Lebanon, Tennessee

615- 889-8900 • Fax: 615-547-1000

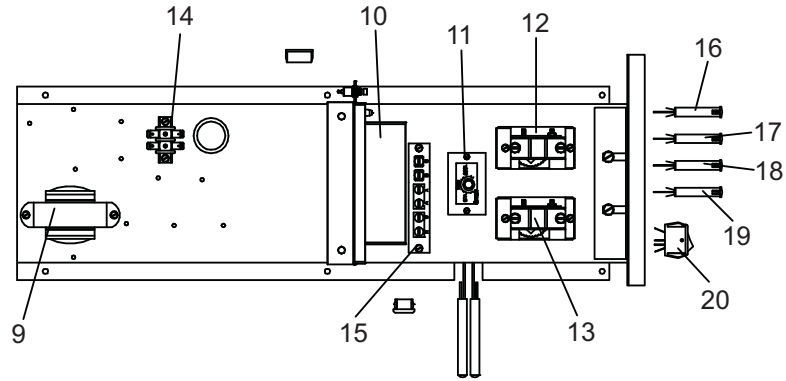
www.Lochinvar.com

Replacement Parts List

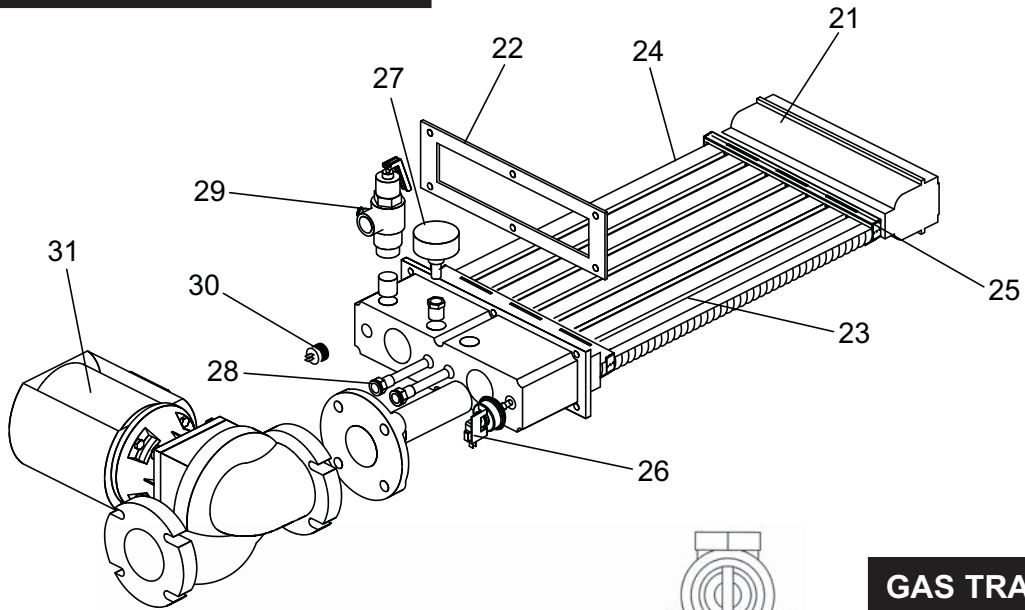
COPPER-FIN II® Boilers / Water Heaters / Pool Heaters CH/CF/CP 300-750



CONTROL PANEL

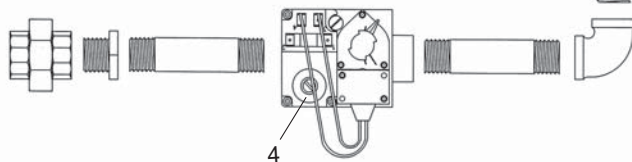


HEAT EXCHANGER ASSEMBLY

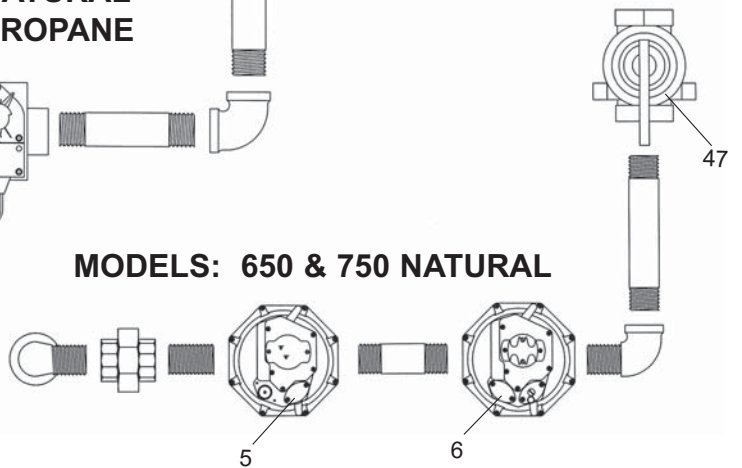


GAS TRAIN ASSEMBLIES

**MODELS: 300-500 NATURAL
300-750 PROPANE**



MODELS: 650 & 750 NATURAL



| ITEM NO. | PART NO. | DESCRIPTION | MODEL NUMBER | | |
|--|---|---|----------------|----------------|----------------|
| GAS TRAIN ASSEMBLIES | | | | | |
| 1 | BNR2400 MAIN BURNER BNR3400 MAIN BURNER W/ PRESSURE TAP BNR2401 MAIN BURNER LOCATED UNDER HOT SURFACE IGNITOR ON LPG ONLY | MODEL | BNR2400 | BNR3400 | BNR2401 |
| | | 300 NAT | 5 ea | 1 ea | -- |
| | | 300 LPG | 4 ea | 1 ea | 1 ea |
| | | 400 NAT | 7 ea | 1 ea | -- |
| | | 400 LPG | 6 ea | 1 ea | 1 ea |
| | | 500 NAT | 9 ea | 1 ea | -- |
| | | 500 LPG | 8 ea | 1 ea | 1 ea |
| | | 650 NAT | 12 ea | 1 ea | -- |
| | | 650 LPG | 11 ea | 1 ea | 1 ea |
| | | 750 NAT | 14 ea | 1 ea | -- |
| | | 750 LPG | 13 ea | 1 ea | 1 ea |
| 2 | MAN2400 | BURNER MANIFOLD | 300 | | |
| 2 | MAN2401 | BURNER MANIFOLD | 400 | | |
| 2 | MAN2402 | BURNER MANIFOLD | 500 | | |
| 2 | MAN2403 | BURNER MANIFOLD | 650 | | |
| 2 | MAN2404 | BURNER MANIFOLD | 750 | | |
| 3 | ORF2401 | ORIFICE, NAT. | ALL | | |
| 3 | ORF2402 | ORIFICE, LPG. | ALL | | |
| 4 | VAL2400 | VALVE, GAS NAT. | 300 | | |
| 4 | VAL2915 | VALVE, GAS NAT. | 400 & 500 | | |
| 4 | VAL2401 | VALVE, GAS LPG. | 300-500 | | |
| 4 | VAL2916 | VALVE, GAS LPG. | 650 & 750 | | |
| 5 | VAL2102 | VALVE, GAS NAT. | 650 & 750 | | |
| 6 | VAL2108 | VALVE, GAS NAT. | 650 & 750 | | |
| CONTROLS & GAUGES | | | | | |
| 7 | KIT30031 | SWITCH, LOW AIR PRESSURE | ALL | | |
| 8 | PLT3400 | HOT SURFACE IGNITOR | ALL | | |
| 9 | TRF2004 | TRANSFORMER 50VA | ALL | | |
| 10 | RLY3428 | IGNITION MODULE | ALL | | |
| 11 | TST2407 | THERMOSTAT, OPERATOR | ALL CF | | |
| 12 | TST3911 | THERMOSTAT, HI LIMIT | ALL | | |
| 12 | TST3910 | THERMOSTAT, HI LIMIT | ALL CP | | |
| 13 | TST4010 | THERMOSTAT, OPERATOR | ALL CH & CP | | |
| 13 | TST3910 | THERMOSTAT, LIMIT | ALL CF | | |
| 13 | TST3921 | THERMOSTAT, LIMIT | ALL CP | | |
| 14 | MSC2910 | TERMINAL STRIP, 2 POLE | ALL | | |
| 15 | MSC2420 | TERMINAL STRIP, 6 POLE | ALL | | |
| 16 | MSC2424 | LIGHT, AMBER 28V LOW AIR | ALL | | |
| 17 | MSC2425 | LIGHT, AMBER 125V TRIAL FOR IGNITION | ALL | | |
| 18 | MSC2423 | LIGHT, GREEN 28V BURNER ON | ALL | | |
| 19 | MSC2422 | LIGHT, RED 28V FLAME FAILURE | ALL | | |
| 20 | MSC2426 | SWITCH, ROCKER | ALL | | |
| HEAT EXCHANGERS (ALL HEAT EXCHANGERS COMPLETE WITH V-BAFFLES) | | | | | |
| 21 | HEX3400 | HEAT EXCHANGER (CF/CP BEFORE SERIAL # F00 & ALL CH) | CH/CF/CP 300 | | |
| 21 | HEX3401 | HEAT EXCHANGER (CF/CP BEFORE SERIAL # F00 & ALL CH) | CH/CF/CP 400 | | |
| 21 | HEX3402 | HEAT EXCHANGER (CF/CP BEFORE SERIAL # F00 & ALL CH) | CH/CF/CP500 | | |
| 21 | HEX3403 | HEAT EXCHANGER (CF/CP BEFORE SERIAL # F00 & ALL CH) | CH/CF/CP 650 | | |
| 21 | HEX3404 | HEAT EXCHANGER (CF/CP BEFORE SERIAL # F00 & ALL CH) | CH/CF/CP 750 | | |
| 21 | HEX3010 | HEAT EXCHANGER (AFTER SERIAL # F00) | CF/CP 300 | | |
| 21 | HEX3011 | HEAT EXCHANGER (AFTER SERIAL # F00) | CF/CP 400 | | |
| 21 | HEX3012 | HEAT EXCHANGER (AFTER SERIAL # F00) | CF/CP 500 | | |
| 21 | HEX3013 | HEAT EXCHANGER (AFTER SERIAL # F00) | CF/CP 650 | | |
| 21 | HEX3014 | HEAT EXCHANGER (AFTER SERIAL # F00) | CF/CP 750 | | |
| 22 | GKT2400 | GASKET, HEAT SHIELD | ALL | | |
| 23 | JKD2250 | V-BAFFLE 5 PER UNIT | 300 | | |
| 23 | JKD2251 | V-BAFFLE 5 PER UNIT | 400 | | |
| 23 | JKD2252 | V-BAFFLE 5 PER UNIT | 500 | | |
| 23 | JKD2253 | V-BAFFLE 5 PER UNIT | 650 | | |
| 23 | JKD2254 | V-BAFFLE 5 PER UNIT | 750 | | |
| 24 | JKD6448 | FRAME RUNNER 2 PER UNIT | 300 | | |
| 24 | JKD6449 | FRAME RUNNER 2 PER UNIT | 400 | | |
| 24 | JKD6450 | FRAME RUNNER 2 PER UNIT | 500 | | |
| 24 | JKD6451 | FRAME RUNNER 2 PER UNIT | 650 | | |
| 24 | JKD6452 | FRAME RUNNER 2 PER UNIT | 750 | | |
| 25 | JKD6186 | FRAME END 2 PER UNIT | ALL | | |

PLEASE HAVE MODEL NUMBER AND SERIAL NUMBER WHEN ORDERING PARTS

NOTE: CH = BOILER, CF = WATER HEATER & CP = POOL HEATER

| ITEM NO. | PART NO. | DESCRIPTION | MODEL NUMBER |
|--|--------------|--------------------------------------|-----------------|
| HEAT EXCHANGERS (ALL HEAT EXCHANGERS COMPLETE WITH V-BAFFLES) (Continued) | | | |
| 26 | PRS2406 | SWITCH, POOL HEATER PRESSURE | ALL CP |
| 27 | GTP2900 | TEMPERATURE & PRESSURE GAUGE | ALL CH |
| 27 | GTP3000 | TEMPERATURE GAUGE 2" | ALL CF & CP |
| 28 | TST2301 | WELL, THERMOSTAT | ALL |
| 29 | RLV2006 | RELIEF VALVE, TEMPERATURE & PRESSURE | CF/CP 300 & 400 |
| 29 | RLV2017 | RELIEF VALVE, TEMPERATURE & PRESSURE | CF/CP 500-750 |
| 29 | RLV2001 | RELIEF VALVE, PRESSURE ONLY | ALL CH |
| 30 | HLC2510 | 200° HIGH LIMIT | CP |
| -- | HLC2503 | 100° HIGH LIMIT | CP |
| PUMP | | | |
| 31 | ARM3044PBF | PUMP | ALL CF |
| 31 | ARM3044PABTE | PUMP | ALL CP |
| LOCH-HEAT® TILE | | | |
| 32 | FIB2421 | LOCH-HEAT® TILE, REAR HEAD SIDE | ALL |
| 33 | FIB2405 | LOCH-HEAT® TILE, FRONT DOOR | 300 |
| 33 | FIB2406 | LOCH-HEAT® TILE, FRONT DOOR | 400 |
| 33 | FIB2407 | LOCH-HEAT® TILE, FRONT DOOR | 500 |
| 33 | FIB2408 | LOCH-HEAT® TILE, FRONT DOOR | 650 |
| 33 | FIB2409 | LOCH-HEAT® TILE, FRONT DOOR | 750 |
| 34 | FIB2415 | LOCH-HEAT® TILE, BOTTOM | 300 |
| 34 | FIB2416 | LOCH-HEAT® TILE, BOTTOM | 400 |
| 34 | FIB2417 | LOCH-HEAT® TILE, BOTTOM | 500 |
| 34 | FIB2418 | LOCH-HEAT® TILE, BOTTOM | 650 |
| 34 | FIB2419 | LOCH-HEAT® TILE, BOTTOM | 750 |
| 35 | FIB2420 | LOCH-HEAT® TILE, FRONT HEAD SIDE | ALL |
| 36 | FIB2400 | LOCH-HEAT® TILE, REAR | 300 |
| 36 | FIB2401 | LOCH-HEAT® TILE, REAR | 400 |
| 36 | FIB2402 | LOCH-HEAT® TILE, REAR | 500 |
| 36 | FIB2403 | LOCH-HEAT® TILE, REAR | 650 |
| 36 | FIB2404 | LOCH-HEAT® TILE, REAR | 750 |
| 37 | FIB2410 | LOCH-HEAT® TILE, TOP (2 REQUIRED) | 300 |
| 37 | FIB2411 | LOCH-HEAT® TILE, TOP (2 REQUIRED) | 400 |
| 37 | FIB2412 | LOCH-HEAT® TILE, TOP (2 REQUIRED) | 500 |
| 37 | FIB2413 | LOCH-HEAT® TILE, TOP (2 REQUIRED) | 650 |
| 37 | FIB2414 | LOCH-HEAT® TILE, TOP (2 REQUIRED) | 750 |
| JACKET / DOOR ASSEMBLIES | | | |
| 38 | JKD6063 | JACKET, OUTER TOP CENTER | 300 |
| 38 | JKD6064 | JACKET, OUTER TOP CENTER | 400 |
| 38 | JKD6065 | JACKET, OUTER TOP CENTER | 500 |
| 38 | JKD6066 | JACKET, OUTER TOP CENTER | 650 |
| 38 | JKD6067 | JACKET, OUTER TOP CENTER | 750 |
| 39 | JKD6068 | JACKET, OUTER TOP SIDES | 300 |
| 39 | JKD6069 | JACKET, OUTER TOP SIDES | 400 - 500 |
| 39 | JKD6070 | JACKET, OUTER TOP SIDES | 650 - 750 |
| 40 | JKD6058 | JACKET, OUTER FRONT UPPER | 300 |
| 40 | JKD6059 | JACKET, OUTER FRONT UPPER | 400 |
| 40 | JKD6060 | JACKET, OUTER FRONT UPPER | 500 |
| 40 | JKD6061 | JACKET, OUTER FRONT UPPER | 650 |
| 40 | JKD6062 | JACKET, OUTER FRONT UPPER | 750 |
| 41 | JKD6053 | JACKET, OUTER FRONT LOWER | 300 |
| 41 | JKD6054 | JACKET, OUTER FRONT LOWER | 400 |
| 41 | JKD6055 | JACKET, OUTER FRONT LOWER | 500 |
| 41 | JKD6056 | JACKET, OUTER FRONT LOWER | 650 |
| 41 | JKD6057 | JACKET, OUTER FRONT LOWER | 750 |
| 42 | JKD6503 | JACKET, OUTER RIGHT | ALL |
| 43 | JKD6505 | JACKET, OUTER LEFT UPPER | ALL |
| 44 | JKD6504 | JACKET, OUTER LEFT LOWER | ALL |
| MISCELLANEOUS | | | |
| 45 | FAN2714 | FAN | ALL |
| 46 | MSC3415 | SIGHT GLASS, KIT | ALL |
| 47 | GAC2028 | GAS COCK 3/4" | 300 |
| 47 | GAC2029 | GAS COCK 1" | 400 & 500 |
| 47 | GAC2030 | GAS COCK 1 1/4" | 650 & 750 |
| -- | TST2015 | THERMOSTAT, HIGH LIMIT MANUAL RESET | -- |
| -- | TST2403 | THERMOSTAT BOARD (NOT PICTURED) | ALL CP |
| -- | TST2404 | POTENTIOMETER (NOT PICTURED) | ALL CP |
| -- | TST3015 | WATER SENSOR (NOT PICTURED) | ALL CP |
| PLEASE HAVE MODEL NUMBER AND SERIAL NUMBER WHEN ORDERING PARTS | | | |
| NOTE: CH = BOILER, CF = WATER HEATER & CP = POOL HEATER | | | |

Free Manuals Download Website

<http://myh66.com>

<http://usermanuals.us>

<http://www.somanuals.com>

<http://www.4manuals.cc>

<http://www.manual-lib.com>

<http://www.404manual.com>

<http://www.luxmanual.com>

<http://aubethermostatmanual.com>

Golf course search by state

<http://golfingnear.com>

Email search by domain

<http://emailbydomain.com>

Auto manuals search

<http://auto.somanuals.com>

TV manuals search

<http://tv.somanuals.com>