



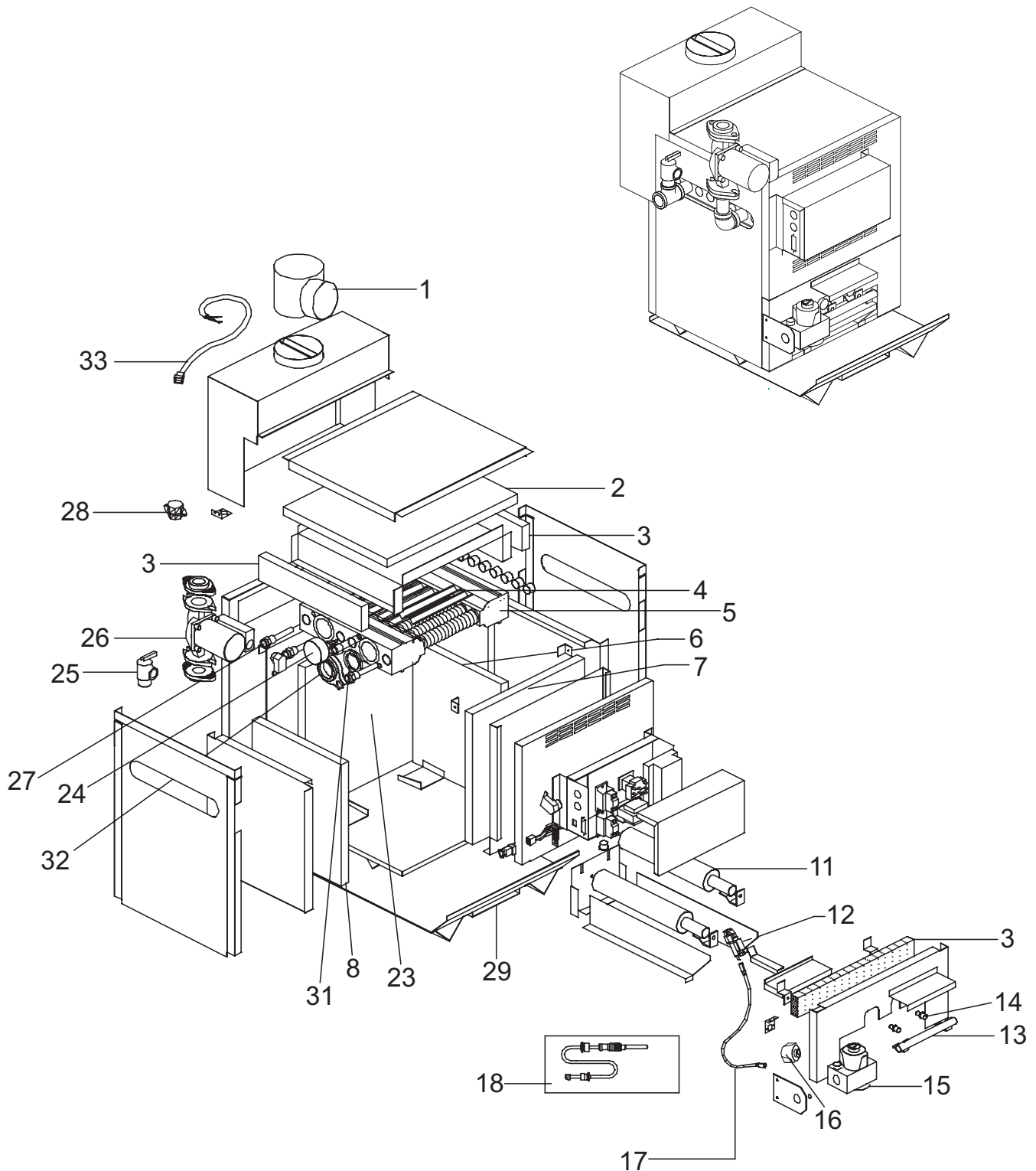
**PARTS & SERVICE DEPARTMENT**  
 Nashville, Tennessee  
 615-889-8900 / Fax: 615-547-1000  
 www.Lochinvar.com

## Replacement Parts List

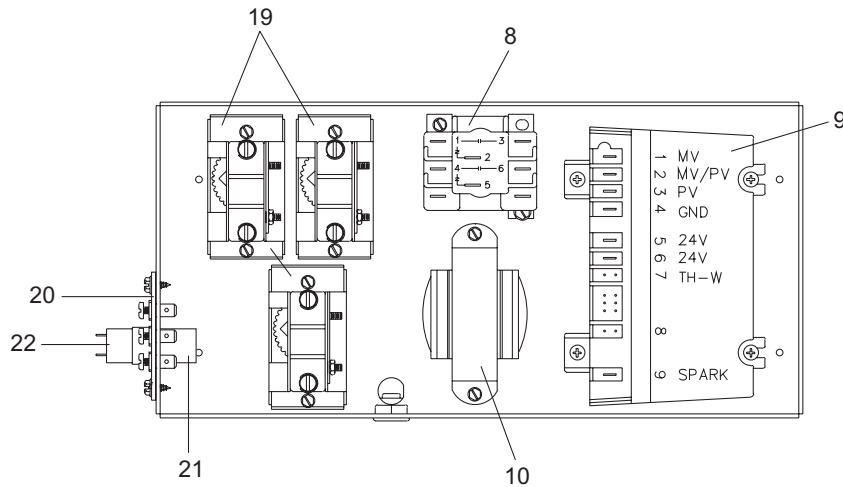
**RB 045-360**

**RW 090-360**

**Boilers — Water Heaters**



## CONTROL PANEL ASSEMBLY



ITEM NO.	PART NO.	DESCRIPTION	MODEL NO.
<b>Flue Dampers</b>			
1	DRH2934	FLUE DAMPER	045
1	DRH2935	FLUE DAMPER	075 - 135
1	DRH2936	FLUE DAMPER	180 & 199
1	DRH2937	FLUE DAMPER	225 & 270
1	DRH2938	FLUE DAMPER	315 & 360
--	DRH2929	BELL INCREASER (NOT PICTURED)	045
--	DRH2930	BELL REDUCER (NOT PICTURED)	045
<b>Loch-Heat® Tile</b>			
2	FIB2909	LOCH-HEAT TILE, TOP	045
2	FIB2910	LOCH-HEAT TILE, TOP	075 & 090
2	FIB2911	LOCH-HEAT TILE, TOP	135
2	FIB2912	LOCH-HEAT TILE, TOP	180
2	FIB2926	LOCH-HEAT TILE, TOP	225
2	FIB2927	LOCH-HEAT TILE, TOP	270
2	FIB2928	LOCH-HEAT TILE, TOP	315
2	FIB2929	LOCH-HEAT TILE, TOP	360
3	FIB2917	LOCH-HEAT TILE, FILLER	045
3	FIB2901	LOCH-HEAT TILE, FILLER	045
3	FIB2902	LOCH-HEAT TILE, FILLER	075 & 090
3	FIB2903	LOCH-HEAT TILE, FILLER	135
3	FIB2904	LOCH-HEAT TILE, FILLER	180
3	FIB2918	LOCH-HEAT TILE, FILLER	225
3	FIB2919	LOCH-HEAT TILE, FILLER	270
3	FIB2920	LOCH-HEAT TILE, FILLER	315
3	FIB2921	LOCH-HEAT TILE, FILLER	360
6	FIB2900	LOCH-HEAT TILE, SIDE	ALL
7	FIB2905	LOCH-HEAT TILE, FRONT	045
7	FIB2906	LOCH-HEAT TILE, FRONT	075 & 090
7	FIB2907	LOCH-HEAT TILE, FRONT	135
7	FIB2908	LOCH-HEAT TILE, FRONT	180
7	FIB2922	LOCH-HEAT TILE, FRONT	225
7	FIB2923	LOCH-HEAT TILE, FRONT	270
7	FIB2924	LOCH-HEAT TILE, FRONT	315
7	FIB2925	LOCH-HEAT TILE, FRONT	360
23	FIB2913	LOCH-HEAT TILE, BACK	045
23	FIB2914	LOCH-HEAT TILE, BACK	075 & 090
23	FIB2915	LOCH-HEAT TILE, BACK	135
23	FIB2916	LOCH-HEAT TILE, BACK	180
23	FIB2930	LOCH-HEAT TILE, BACK	225
23	FIB2931	LOCH-HEAT TILE, BACK	270
23	FIB2932	LOCH-HEAT TILE, BACK	315
23	FIB2933	LOCH-HEAT TILE, BACK	360

**NOTE:** RB = Boiler / RW = Water Heater

ITEM NO.	PART NO.	DESCRIPTION	MODEL NO.
<b>Heat Exchangers</b>			
5	HEX3842	HEAT EXCHANGER H	RB45
5	HEX3843	HEAT EXCHANGER H	RB75/90
5	HEX3844	HEAT EXCHANGER H	RB135
5	HEX3845	HEAT EXCHANGER H	RB180
5	HEX3805	HEAT EXCHANGER H (RW before serial F00)	RW75/90
5	HEX3806	HEAT EXCHANGER H (RW before serial F00)	RW135
5	HEX3807	HEAT EXCHANGER H (RW before serial F00)	RW180
5	HEX3808	HEAT EXCHANGER H (RW before serial F00 & all RB)	199/225
5	HEX3809	HEAT EXCHANGER H (RW before serial F00 & all RB)	270
5	HEX3810	HEAT EXCHANGER H (RW before serial F00 & all RB)	315
5	HEX3811	HEAT EXCHANGER H (RW before serial F00 & all RB)	360
5	HEX3815	HEAT EXCHANGER CUPRO NICKEL H (RW before serial F00)	RW75/90
5	HEX3816	HEAT EXCHANGER CUPRO NICKEL H (RW before serial F00)	RW135
5	HEX3817	HEAT EXCHANGER CUPRO NICKEL H (RW before serial F00)	RW180
5	HEX3825	HEAT EXCHANGER CUPRO NICKEL H (RW before serial F00 & ALL RB)	199/225
5	HEX3826	HEAT EXCHANGER CUPRO NICKEL H (RW before serial F00 & ALL RB)	270
5	HEX3827	HEAT EXCHANGER CUPRO NICKEL H (RW before serial F00 & ALL RB)	315
5	HEX3828	HEAT EXCHANGER CUPRO NICKEL H (RW before serial F00 & ALL RB)	360
5	HEX3042	HEAT EXCHANGER HLW (after serial F00)	RW75/90
5	HEX3043	HEAT EXCHANGER HLW (after serial F00)	RW135
5	HEX3044	HEAT EXCHANGER HLW (after serial F00)	RW180
5	HEX3036	HEAT EXCHANGER HLW (after serial F00)	RW199/225
5	HEX3037	HEAT EXCHANGER HLW (after serial F00)	RW270
5	HEX3038	HEAT EXCHANGER HLW (after serial F00)	RW315
5	HEX3039	HEAT EXCHANGER HLW (after serial F00)	RW360
5	HEX3045	HEAT EXCHANGER CUPRO NICKEL HLW (after serial F00)	RW75/90
5	HEX3046	HEAT EXCHANGER CUPRO NICKEL HLW (after serial F00)	RW135
5	HEX3047	HEAT EXCHANGER CUPRO NICKEL HLW (after serial F00)	RW180
5	HEX3048	HEAT EXCHANGER CUPRO NICKEL HLW (after serial F00)	RW199/225
5	HEX3049	HEAT EXCHANGER CUPRO NICKEL HLW (after serial F00)	RW270
5	HEX3050	HEAT EXCHANGER CUPRO NICKEL HLW (after serial F00)	RW315
5	HEX3051	HEAT EXCHANGER CUPRO NICKEL HLW (after serial F00)	RW360
<b>Pumps</b>			
26	ARM3045PBF	PUMP, WTR. HEATER	ALL RW
<b>Controls</b>			
8	RLY2042	RELAY, PUMP	ALL RB
9	RLY2023	IGNITION MODULE	ALL F9
10	TRF2004	TRANSFORMER 50V.A.	ALL
16	HLC2904	ROLLOUT SWITCH	045 - 180
16	HLC2905	ROLLOUT SWITCH	225 & 270
19	TST2902	OPERATOR	ALL RB
19	TST3920	OPERATOR	ALL RW
19	TST3910	LIMIT	ALL RW
19	TST3911*	HI LIMIT (RW F-1 TO SERIAL NUMBER F966718)	ALL RB/RW
19	TST2600	OVERHEAT, LIMIT MANUAL RESET (RW F-1 BEGINNING SERIAL NUMBER F966719)	RW 90 - 270 (F-1)
20	MSC2320	TERMINAL BOARD	ALL
24	GTP2900	T & P GAUGE	ALL RB
24	GTP3000	TEMPERATURE GAUGE	ALL RW
28	HLC2903	SPILL SWITCH	045 - 090
33	WRE2914	WIRING HARNESS, VENT DAMPER	ALL
--	RLY2714	RELAY, ADJUSTABLE (F1's ONLY) [RW F-1 TO SERIAL NUMBER F966718]	RW 90 - 270 (F-1)
--	RLY2900	RELAY, 24V. (F1's ONLY) [RW F-1 TO SERIAL NUMBER F966718]	RW 90 - 270 (F-1)
<b>Pilot &amp; Burner Assemblies</b>			
11	BNR2902	MAIN BURNER	ALL
12	PLT2901	PILOT, BNR, NAT. F1	045 - 090
12	PLT2902	PILOT, BNR, LPG. F1	045 - 090
12	PLT2016	PILOT, BNR, NAT. F1	135-270
12	PLT2017	PILOT, BNR, LP F1	135-270
12	PLT2905	PILOT, BNR, NAT. F9/M9	135-270
12	PLT2907	PILOT, BNR, LPG. F9/M9	ALL
12	PLT2303	PILOT, BNR, NAT. F9/M9	045-090

ITEM NO.	PART NO.	DESCRIPTION	MODEL NO.
<b>Pilot &amp; Buner Assemblies Con't.</b>			
13	MAN2900	GAS MANIFOLD	045
13	MAN2901	GAS MANIFOLD	075 & 090
13	MAN2902	GAS MANIFOLD	135
13	MAN2903	GAS MANIFOLD	180
13	MAN2904	GAS MANIFOLD	225
13	MAN2905	GAS MANIFOLD	270
13	MAN2906	GAS MANIFOLD	315
13	MAN2907	GAS MANIFOLD	360
14	ORF2904	ORIFICE, MAIN BNR. NAT.	ALL
14	ORF2901	ORIFICE, MAIN BNR. LPG .	ALL
17	WRE2030	IGNITION CABLE	ALL F9/M9
18	PLT2903	THERMOCOUPLE	045-180
18	PLT2904	THERMOCOUPLE	225-270
<b>Gas Valves</b>			
15	VAL2922	GAS VALVE, NAT. F1	045-135
15	VAL2920	GAS VALVE, NAT. F1	180-270
15	VAL4901	GAS VALVE, LPG. F1	045-135
15	VAL2921	GAS VALVE, LPG. F1	180-270
15	VAL2904	GAS VALVE, NAT. F9	045-135
15	VAL2928	GAS VALVE, NAT. F9	180-360
15	VAL2905	GAS VALVE, LPG. F9	045-135
15	VAL2929	GAS VALVE, LPG. F9	180-360
15	VAL2930	GAS VALVE, NAT. M9	45-135
15	VAL2932	GAS VALVE, LPG. M9	45-135
15	VAL2931	GAS VALVE, NAT. M9	180-360
15	VAL2933	GAS VALVE, LPG. M9	180-360
<b>Miscellaneous</b>			
4	JKR2059	V-BAFFLE	045
4	JKR2060	V-BAFFLE	075 & 090
4	JKR2061	V-BAFFLE	135
4	JKR2062	V-BAFFLE	180
4	JKR2179	V-BAFFLE	225 & 199
4	JKR2180	V-BAFFLE	270
4	JKR2181	V-BAFFLE	315
4	JKR6182	V-BAFFLE	360
21	WRE2911	WIRE HARNESS	ALL F1
21	WRE2912	WIRE HARNESS	ALL F9
22	WRE2915	JUMPER PLUG/VENT DAMPER	ALL RW & RB 315-360
25	RLV2005	RELIEF VALVE, PRESSURE ONLY	ALL RB
25	RLV2006	RELIEF VALVE, T & P	ALL RW
27	TST2301	BULB WELL	ALL
--	GLV3890	OUTLET TEE FOR ITEMS 24 & 25 (1.5" X .75" X 1.5") with 3/8" TAPPING	ALL RW
29	CFK3045	COMB. FLOOR KIT	045
29	CFK3090	COMB. FLOOR KIT	075 & 090
29	CFK3135	COMB. FLOOR KIT	135
29	CFK3180	COMB. FLOOR KIT	180
29	CFK3225	COMB. FLOOR KIT	225 & 199
29	CFK3270	COMB. FLOOR KIT	270
29	CFK3315	COMB. FLOOR KIT	315
29	CFK3360	COMB. FLOOR KIT	360
31	GKT2901	GASKET, FLANGE 1.5"	ALL RW
32	WTR3902	FLANGE 1.5"	ALL RW
--	RLY2707	PUMP DELAY	ALL RW
<b>Options (Not Pictured)</b>			
--	LPK3900	NAT. TO LPG CONV. KIT, F1	045-090
--	LPK3901	NAT. TO LPG CONV. KIT, F1	135-270
--	LPK3903	NAT. TO LPG CONV. KIT, F9	045-090
--	LPK3904	NAT. TO LPG CONV. KIT, F9	135-360
--	TST2015	MANUAL RESET HI LIMIT	OPTIONAL
--	WTR2040	FLOW SWITCH	OPTIONAL
--	WTR2528	LOW WATER CUT OFF	OPTIONAL
--	WTR2532	PROBE FOR LWCO	OPTIONAL

## Free Manuals Download Website

<http://myh66.com>

<http://usermanuals.us>

<http://www.somanuals.com>

<http://www.4manuals.cc>

<http://www.manual-lib.com>

<http://www.404manual.com>

<http://www.luxmanual.com>

<http://aubethermostatmanual.com>

Golf course search by state

<http://golfingnear.com>

Email search by domain

<http://emailbydomain.com>

Auto manuals search

<http://auto.somanuals.com>

TV manuals search

<http://tv.somanuals.com>