

# Instruction Manual

Model F100-4

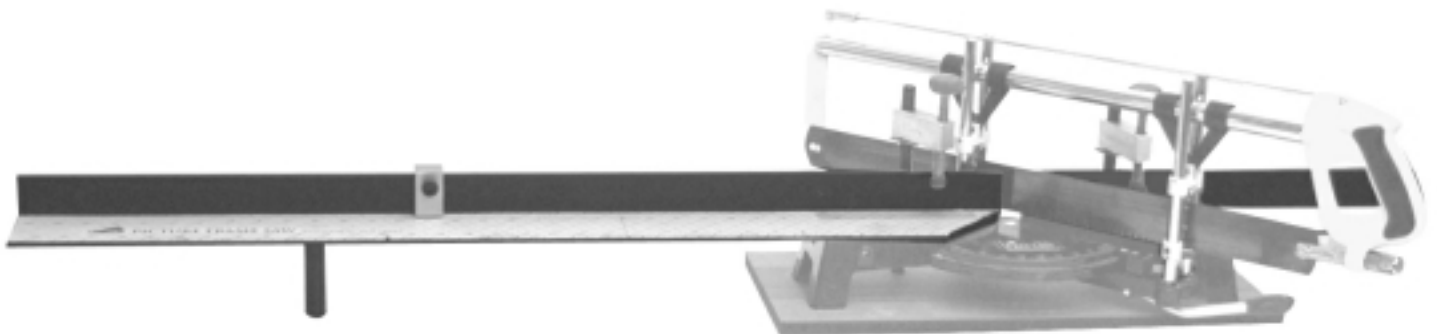
PICTURE FRAMING

# SAW FENCE KIT

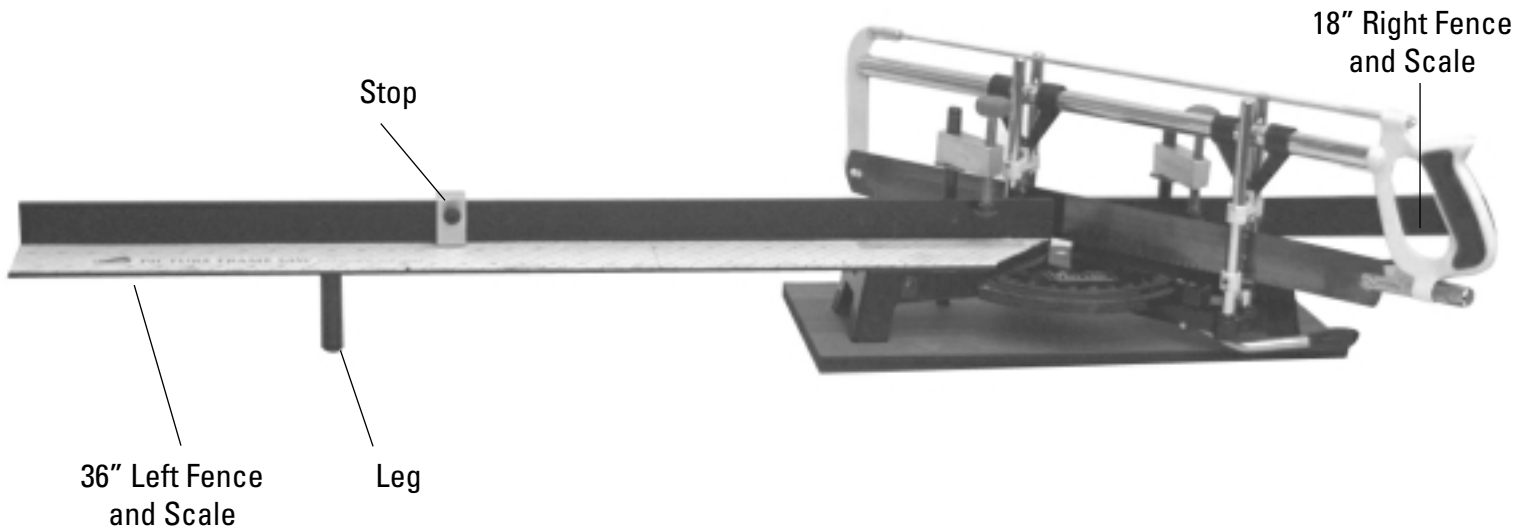
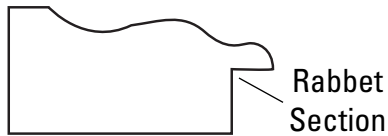
  
LOGAN<sup>®</sup>  
GRAPHIC PRODUCTS, INC.  
*Tools for the Art of Framing*  
[www.logangraphic.com](http://www.logangraphic.com)

## Description

The Saw Fence Kit Model F100-4 is an upgrade feature for the Studio Saw Model F100-1. The kit includes a measuring scale (36" to the left and 18" to the right) to make measuring and cutting moulding faster, easier and more accurate. Also included is an additional clamp and a production stop. The addition of this kit completes the framing saw system. Producing professional quality picture frames is now easier than ever.



Identification



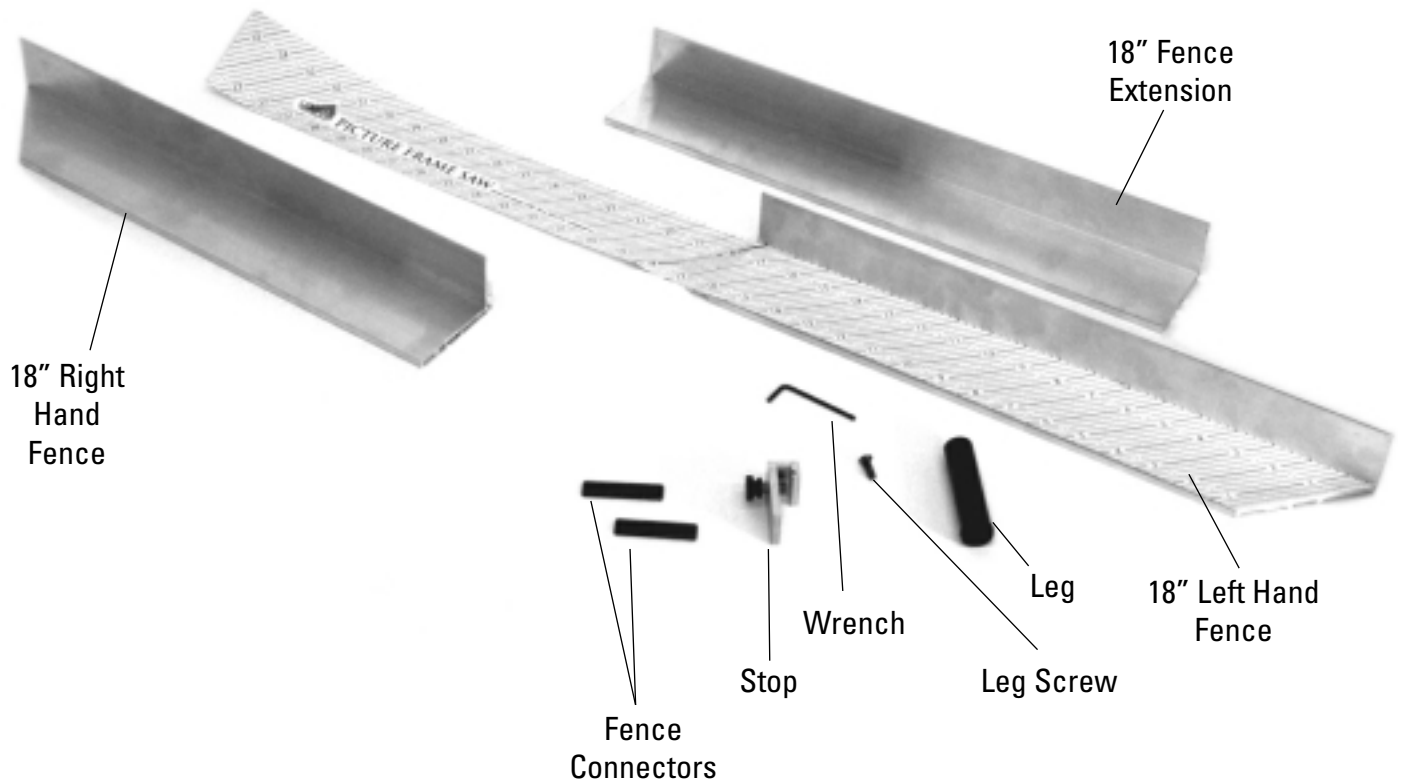
**Stop** - Allows moulding to be cut in identical lengths.

**Fence and Scale** - 36" left section and 18" right section. Scale is specially designed for measuring 45° picture frame mitres.

**Rabbet** - Under cut of moulding which holds frame material.

**Leg** - Support for 36" fence.

Parts List



**Parts List**

18" Fence Extension	1
18" Left Hand Fence	1
18" Right Hand Fence	1
Fence Connectors	2
Fence Screw	4
Leg	1
Leg Screw	1
Stop	1
Wrench	1

**Assembly Procedure**

1. Remove clamp and rod (Fig.1).
  - a. Unscrew nut and bolt. Keep spacer. Discard nut and bolt.
2. Remove base board (Fig.2).
  - a. Remove four base screws.
3. Fence
  - a. Attach fence extension to left hand fence. Feed sections together thru connector plates (Fig 3).
  - b. Tighten set screws.
  - c. Attach leg to fence (Fig. 4).
  - d. Peel scale backing paper and carefully lay scale flat onto fence. Start at intersection and slowly lay scale down toward end of fence (Fig. 5).
  - e. Align fence sections onto saw base. Install screws thru back of saw base into fence (Fig. 7).
  - f. Install screws thru bottom of saw base (Fig. 6).

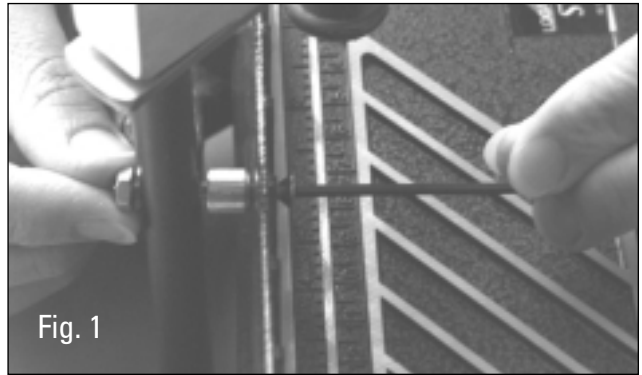


Fig. 1



Fig. 2

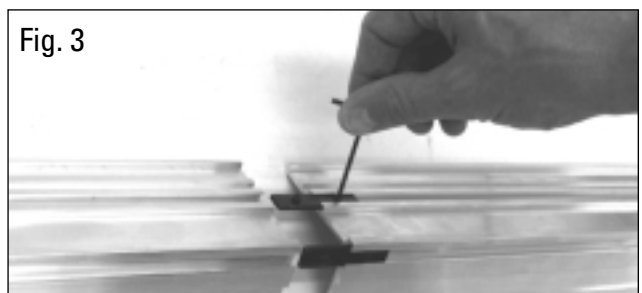


Fig. 3

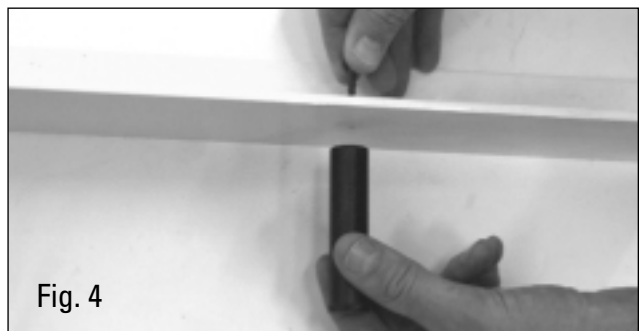


Fig. 4



Fig. 5



Fig. 6



Fig. 7

**Assembly Procedure (continued)**

**4. Base**

- a. Turn saw base over and install base board. Be sure holes for rods are located toward back of saw base (Fig. 8).

**5. Clamp rods**

- a. With rounded ends facing up set rod into hole in base board.
- b. Align hole in rod with hole in back of saw base.
- c. Install screw thru rod, thru rod spacer and into saw base. (Fig. 9).
- d. Slide clamp onto rod (Fig. 10).

**6. Stop**

- a. Slide moulding stop onto fence (Fig. 11).
- b. Tighten screw to lock.

**7. Secure Base**



- a. Bolt base to work surface to eliminate slipping and make cutting easier. Use 1/4" (6mm) drill for pilot hole.



- b. Use two 4" deep throat C-clamps. Available at local hardware store.

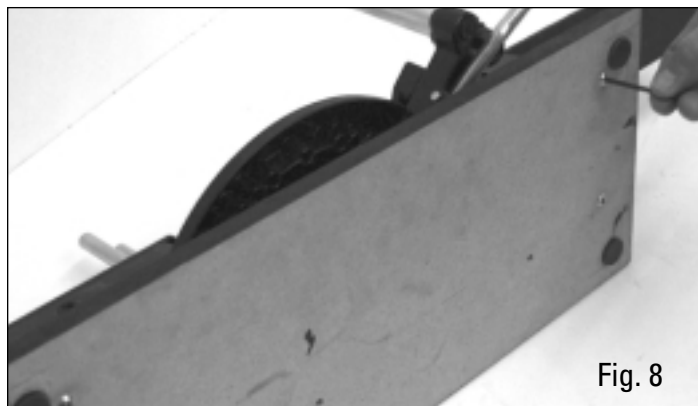


Fig. 8

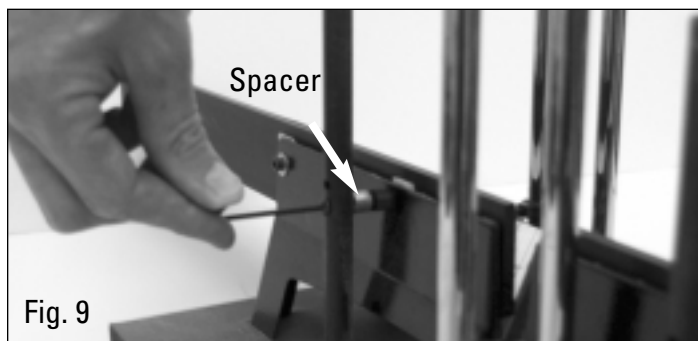


Fig. 9

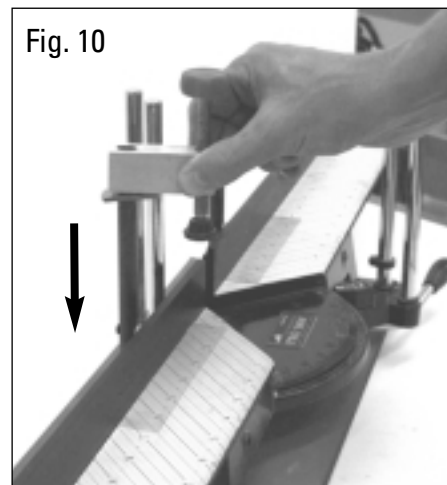


Fig. 10

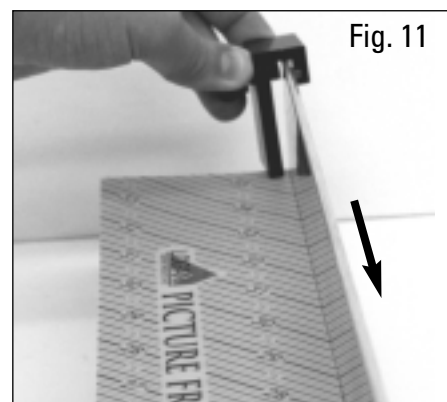


Fig. 11

## Operation

### A. First Cut

1. Set pivot to 45° on right (Fig. 12).
2. Place moulding against fence finished side up and rabbet facing operator.
3. Slide moulding under saw blade far enough so full 45° cut can be made.
4. Adjust clamp foot onto moulding and tighten knob (Fig. 13).
5. Cut moulding (Fig. 14).



- By making long full strokes accuracy is improved and cutting is easier.



- Always cut long pieces first. If mistake is made, shorter pieces can be salvaged.

6. Deburr bottom cut edge using sandpaper, sander or file.

### A. Second Cut

1. Set pivot to 45° on left (Fig. 15).
2. Slide cut end of moulding to desired dimension and align rabbet corner on scale dimension (Fig. 16).
3. Set stop against moulding.
4. Clamp both sides of moulding if possible.
5. Cut moulding.

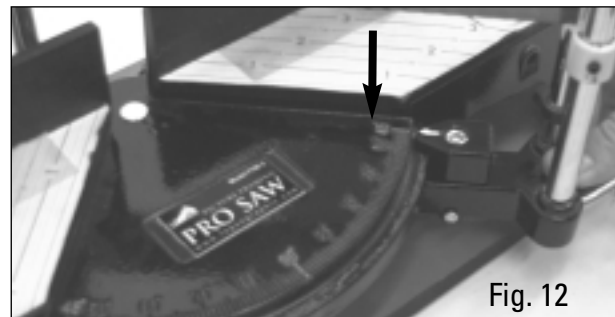


Fig. 12

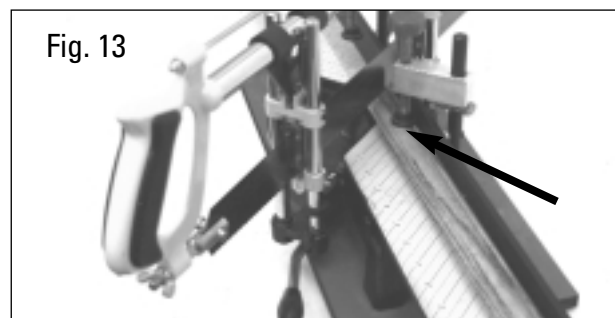


Fig. 13



Fig. 14

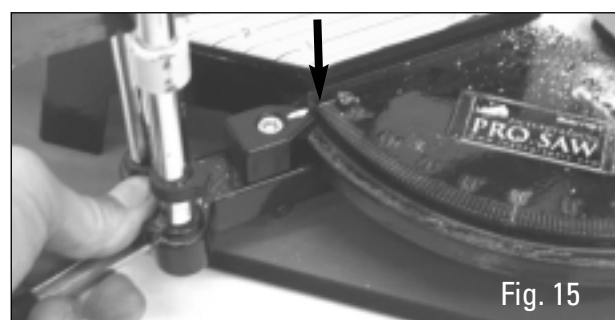


Fig. 15



Fig. 16

**Trouble Shooting**

Problem	Solution
Scale did not lay in correct position.	As long as the scale has not been pressed/rubbed into position thereby "fixing" the adhesive it should be possible to carefully remove/lift scale off the fence and re-position.
Moulding lengths are not consistent.	<p>Make sure fence is secure.</p> <p>Clamp left hand side of moulding first when using the stop.</p> <p>Remove any saw dust, splinters and debris from between the moulding and fence and the moulding and the stop.</p>
Clamp does not hold moulding firmly.	<p>Turn clamps 90 degrees so that they press the moulding into the base and back of fence.</p> <p>Make sure the clamp posts are tight.</p>
Difficult or slow cutting.	<p>Make sure the saw blade is correctly installed (teeth facing away from saw handle).</p> <p>Replace saw blade.</p>
Saw does not cut straight.	<p>Increase blade tension using knurled nut under handle.</p> <p>Tighten both swivel screws on back of saw base equally.</p> <p>Make sure moulding is securely clamped.</p> <p>Tighten down on the angle block pointer, be sure you can still move the saw from left hand 45° to the right hand 45° marks.</p>

**Warranty**

Logan Graphic Products, Inc. ("Logan") warrants the Studio Fence Kit - Model F100-4, to be free from defects in parts and workmanship for a period of one year from the date of original purchase. Logan warrants that it will either repair or replace, at its sole discretion, any necessary replacement parts found to be defective. Should the product need to be returned to Logan for repair or replacement parts, authorization for any return must come from Logan in writing. Costs of returning the product to Logan, including insurances, shall be borne by the purchaser. Logan shall not be liable for any damages or losses, incidental or consequential, direct or indirect, arising from the use of this product. This warranty extends only to the original purchaser and is not assignable or transferable. This warranty is in lieu of all other warranties, expressed or implied.





Logan Graphic Products Inc.,  
1100 Brown Street, Wauconda, IL 60084  
Toll Free 1 800 331 6232  
[www.logangraphic.com](http://www.logangraphic.com)

---

Reference Part No. L567-N



## Free Manuals Download Website

<http://myh66.com>

<http://usermanuals.us>

<http://www.somanuals.com>

<http://www.4manuals.cc>

<http://www.manual-lib.com>

<http://www.404manual.com>

<http://www.luxmanual.com>

<http://aubethermostatmanual.com>

Golf course search by state

<http://golfingnear.com>

Email search by domain

<http://emailbydomain.com>

Auto manuals search

<http://auto.somanuals.com>

TV manuals search

<http://tv.somanuals.com>