

# PELLET STOVES & FIREPLACE INSERTS





# Why Buy A Lopi Pellet Stove?

## CONVENIENCE



Lopi pellet stoves and inserts offer a clean and environmentally sound way to heat your home. There are no insects, dirt, pieces of bark or slivers of wood brought into your home with pellet fuel.

Pellets for your Lopi pellet appliance also take up less space than cordwood or woodchips. You can store four times the amount of pellet fuel in the same space that wood takes up! A winter's supply of pellets for the average home occupies about 6' x 6' x 6' of space so you can store them in any dry area such as a basement, utility room or shed.

Your Lopi pellet appliance only needs to be loaded once a day. Nothing could be easier. It will automatically feed the correct amount of pellets to keep your home warm all day and night.

Use the wall thermostat (standard on all large models) or the optional remote control and extend the burn time even longer. Set the thermostat to your desired room temperature and the pellet appliance will cycle on and off to maintain the temperature and extend the value of your fuel.

## EFFICIENCY

Pellets are an all-natural, renewable fuel. They are held together by lignin, which is a natural substance occurring in wood fibers that acts as a glue when compressed. It's so safe, it's also used as a binding agent in animal feed pellets.

Pellets fuel has been proven to be the cleanest burning type of wood fuel you can use. The U.S. EPA woodburning limit of particulates is 7.5 grams per hour - but Lopi pellet stoves only exhaust on average 1.2 grams per hour! This is truly a fuel source as good for the environment as it is for you.

## CONFIDENCE

Your Lopi appliance is designed, engineered and built to the highest standards in the world. We do not cut corners to save costs, we only use the highest quality materials, heavy-duty steel and high-tech tested components in our Lopi pellet appliances. And we stand behind our appliances with our "REAL WORLD" Limited Seven Year Warranty (see [www.lopifire.com](http://www.lopifire.com)).



Pioneer



Yankee



Pioneer Bay



Yankee Bay



## Large Capacity Hopper

Fueling your pellet stove or insert has never been easier. The entire top of the stove or insert lifts up to allow access to the hopper. When full, your pellet appliance will provide you with many hours of uninterrupted heating. The large capacity of the freestanding stoves also means you don't have to wait until the hopper is empty before refueling with a full bag of pellets.



## Easy Access

All Lopi pellet appliances are designed for easy maintenance. The swing-out door allows quick access to the firebox for cleaning and yearly maintenance.



## Huge Ash Pan

Designed as part of the pedestal on the stoves, the huge ash pan allows for significantly greater time between ash removal. A simple handle above the ash pan allows accumulated ashes to be removed from the firebox without opening the door. The inserts are equipped with an easy pull out ash pan located beneath the door.



## Automatic Operation

Operate your pellet appliance automatically. Add a wall thermostat or remote control thermostat for the ultimate in hands-free operation. You simply set the thermostat to the desired temperature and the pellet stove will do the rest. The wall thermostat is standard on all Yankee models.

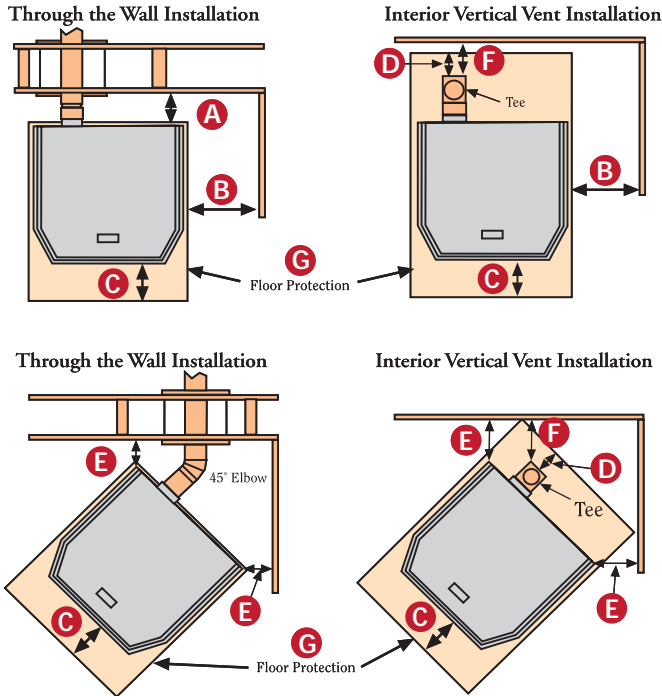
If you choose to operate your pellet appliance manually, simply set the feed rates and push the start button to activate the auto igniter. Within minutes your pellet appliance is in full operation.

# Installation Information



## Freestanding Clearances to Unprotected Combustible Walls

Stove clearances measured from stove top. Connector clearances measured from the flue pipe.



### Minimum Clearances To Combustibles:

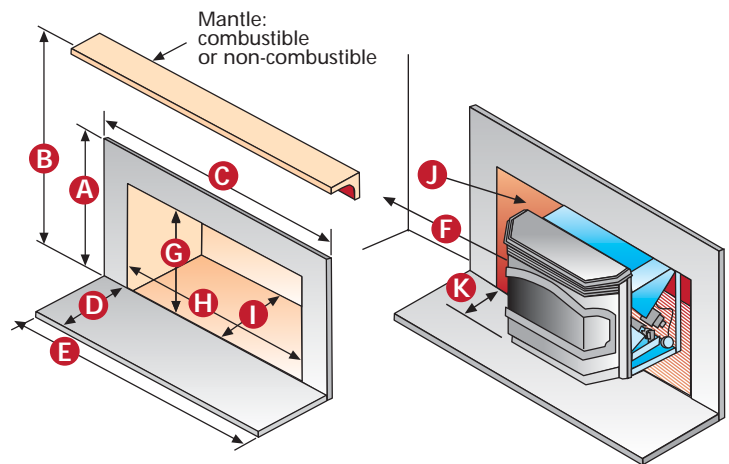
	Pioneer	Yankee
Unit To Backwall	A - Min. 3"	A - Min. 3"
Unit To Sidewall	B - Min. 9"	B - Min. 9"
Front Hearth Extension	C - Min. 6"	C - Min. 6"
Connector Tee to Rear of Hearth	D - Min. 2"	D - Min. 2"
Corner of Unit To Wall	E - Min. 2"	E - Min. 3"
Connector Tee to Wall	F - Min. 3"	F - Min. 3"
Hearth Pad*	G - Min. 21 5/8" Wide x 26 7/8" Deep	G - Min. 25" Wide x 29" Deep

\* The pellet stove must be installed on a non-combustible floor protector which is a minimum .018" thick - 26 gauge.

### ALCOVE REQUIREMENTS

	Pioneer	Yankee
Minimum Height	60"	60"
Maximum Depth	48"	48"
Minimum Width	42"	43"

## Insert Clearances to Unprotected Combustibles



### Minimum Clearances To Combustibles:

Pioneer Bay	Yankee Bay
A - Min. 32" (10" from hopper lid)	A - Min. 32 3/4" (6 1/4" from hopper lid)
B - Min. 35" (13" from hopper lid)	B - Min. 33" to 38" (Depending on mantle depth See Owner's Manual for details)
C - Min. 34 1/8" (6" from hopper lid)	C - Min. 42" (7" from hopper lid)
D - Min. 15 1/2"* (6" from door opening)	D - Min. 18"* (6" from door opening)
E - Min. 34 1/8"* (6" from door opening)	E - Min. 36"* (6" from door opening)
F - 9" (to side combustible)	F - 8 3/4" (to side combustible)

\* The pellet insert must be installed on a non-combustible floor protector which is a minimum .018" thick - 26 gauge.

### Fireplace Minimum Dimensions:

G - 19 5/8"	G - 20" to 25 3/4" depending on hopper height - See Owner's Manual for details
H - 30" (includes circuit board)	H - 36" (includes circuit board)
I - 16 5/8" (includes 5" for vent)	I - 14" (includes 5" for vent)

### Installation:

J - The vent should be routed to the fireplace prior to installing the insert. See Owner's Manual for details on vent location.

K - The insert must protrude 9 3/8" (Pioneer Bay) 12" (Yankee Bay) onto the hearth for the panels to fit correctly.

### Surround Panels:

Pioneer Bay	Yankee Bay
Rectangular Panels: 8" x 10" Panels 28 7/8"H x 40 1/2"W	Rectangular Panels: 8" x 10" Panels 32"H x 45"W
10" x 13" Panels 31 7/8"H x 44 1/2"W	

## TESTING

Pioneer and Pioneer Bay safety tested and certified by Warnock Hersey. Yankee and Yankee Bay safety tested and certified by Omni-Test Laboratories. All models tested to UL 1482-94/ULC S627-93/CSA B366.2/ASTM E 1509-95.

These pellet fired appliances have been tested and listed for use in manufactured homes in accordance with Oregon Administrative Rules 814-23-900 through 814-23-909.



## PIONEER COMPACT PELLET STOVE



*Shown with optional pewter plated door and grill*

The Pioneer pellet stove is one of the most beautiful Lopi stoves ever made. With its high efficiency and high heat output, Lopi's Pioneer pellet stove truly brings the art of fire to life. It's compact size and elegant form fit any room in your home. The Pioneer's powerful two-stage heat transfer system and 6 convection air tubes will heat up to 1,600 square feet with quiet efficiency and exceptional comfort.

The Pioneer's durable steel construction, beautifully detailed top and pedestal castings, full bay view window and realistic cast iron brick fireback are enhanced by your choice of black, 24 karat gold or pewter plated door and grill accents.

The entire top of the Pioneer opens for easy access to the large capacity 55 pound hopper. That's enough pellet fuel for up to 55 hours of uninterrupted heating! Longer burn times can be achieved with the use of the optional wall thermostat. And thanks to the Pioneer's huge pedestal ashpan, you'll spend less time cleaning and more time enjoying the warmth your stove provides.

Hopper Capacity	Heating Capacity*	Btu Range*	Maximum Burn Times*	Burn Feed Rate Per Hour	Overall Efficiency	Glass Area	Flue Size
55 Pounds	500 to 1,600 Square Feet	Low - 8,200 High - 28,700	15 Hours on High 55 Hours on Low	3.5 Lbs. on High 1.0 Lbs on Low	82%	167 Square Inches	3"

\* HEATING CAPACITY: May vary depending on the degree of home insulation, floor plan and the ambient temperature zone of the area in which you live. Contact your local building officials about installation requirements in your area. Burn Time and Btu range will vary with brand and size of pellets.

# YANKEE LARGE PELLET STOVE



*Shown with optional 24 karat gold plated door and grill*

The Yankee pellet stove is our true power house pellet heater. The entire top of the Yankee opens for easy access to an enormous 80 pound hopper - one of the largest of any freestanding pellet stove on the market. You can expect to heat a 2,250 square foot home for up to 47 hours on the low setting. When operated with the standard wall thermostat or remote the burn time can be extended significantly - up to several days on a single load!

Performance goes hand-in-hand with capacity. The Yankee's powerful two-stage heat transfer system, 12 convection air tubes and powerful 165 CFM convection fan will heat quietly and consistently.

The Yankee's durable steel construction, stainless steel burn pot, beautifully detailed top and pedestal castings and cast iron brick fireback are enhanced by true-bay door and grill accents. A bay window provides 252 square inches of fire viewing. The Yankee's pedestal ashpan can hold a huge amount of ash before the need to empty. With the Yankee you'll spend less time cleaning ash and more time enjoying the warmth your stove provides.

Hopper Capacity	Heating Capacity*	Btu Range*	Maximum Burn Times*	Burn Feed Rate Per Hour	Overall Efficiency	Glass Area	Flue Size
80 Pounds	800 to 2,250 Square Feet	Low - 13,940 High - 45,100	15 Hours on High 47 Hours on Low	5.5 Lbs. on High 1.7 Lbs on Low	82%	252 Square Inches	4"

\* HEATING CAPACITY: May vary depending on the degree of home insulation, floor plan and the ambient temperature zone of the area in which you live. Contact your local building officials about installation requirements in your area. Burn Time and Btu range will vary with brand and size of pellets.



## PIONEER BAY COMPACT PELLET INSERT



*Shown with standard black door and grill*

Lopi's Pioneer Bay pellet insert is the ideal way to turn your inefficient open fireplace into a beautifully efficient home heating source. Compact and easy to install, the Pioneer Bay is designed as a perfect fit for almost any masonry or metal zero clearance fireplace.

The Pioneer Bay's attractive cast brick fireback highlights the splendor of the fire while maximizing heat transfer to the room. A remarkably quiet, yet powerful 130 CFM fan helps distribute heat evenly throughout your home. The easy-access hopper holds enough fuel for up to 35 hours of continuous warmth (longer burn times can be achieved when an optional wall thermostat or remote is used). Just fill the hopper with pellets, set the feed rate and push the start button. Nothing could be simpler!

The Pioneer Bay's easy-access ashpan and ash dump makes clean-up simple, and the door swings open when needed for firebox access. It's no wonder more people look to Lopi for the ultimate in beauty, efficiency, and trouble-free home heating.

Hopper Capacity	Heating Capacity*	Btu Range*	Maximum Burn Times*	Burn Feed Rate Per Hour	Overall Efficiency	Glass Area	Flue Size
35 Pounds	500 to 1,600 Square Feet	Low - 8,200 High - 28,700	10 Hours on High 35 Hours on Low	3.5 Lbs. on High 1.0 Lbs on Low	82%	167 Square Inches	3"

\* HEATING CAPACITY: May vary depending on the degree of home insulation, floor plan and the ambient temperature zone of the area in which you live. Contact your local building officials about installation requirements in your area. Burn Time and Btu range will vary with brand and size of pellets.

Download from [www.somanuals.com](http://www.somanuals.com). All Manuals Search And Download.

# YANKEE BAY LARGE PELLETT INSERT



*Shown with optional pewter plated door and grill*

With high efficiency and high heat output, the Lopi Yankee Bay pellet insert is the ultimate insert solution. Easy to start, easy to operate and easy to maintain, the Yankee Bay pellet insert is designed for convenience and provides the largest pellet capacity of any pellet insert!

The Yankee Bay is designed to turn your inefficient open fireplace into a true home heater (up to 45,100 Btu's/hr). The Yankee Bay features the exclusive adjustable hopper system. If your firebox allows, you can adjust the hopper height to hold a maximum capacity of 89 pounds of pellets. On low, this allows the Yankee Bay to burn up to 52 hours on a single load of pellets. When using the standard wall thermostat, which cycles the burner on and off to maintain a desired room temperature, you can achieve even longer burn times.

The Yankee Bay is one of the cleanest burning pellet stoves ever made, emitting only 0.7 grams of particulates per hour. Simple controls makes the Yankee Bay the easiest pellet insert to operate and maintain.

Hopper Capacity (Adjustable)	Heating Capacity*	Btu Range*	Max. Burn Times* Depending on Hopper Capacity	Burn Feed Rate Per Hour	Overall Efficiency	Glass Area	Flue Size
48 to 89 Pounds	800 to 2,250 Square Feet	Low - 13,940 High - 45,100	8 to 16 Hrs. on High 28 to 52 Hrs. on Low	5.5 Lbs. on High 1.7 Lbs on Low	82%	249 Sq. In.	4"

\* HEATING CAPACITY: May vary depending on the degree of home insulation, floor plan and the ambient temperature zone of the area in which you live. Contact your local building officials about installation requirements in your area. Burn Time and Btu range will vary with brand and size of pellets.





# How It Works

1. Pellet fuel is loaded into the hopper.
2. You set the state-of-the-art modular circuit board to manual or automatic.
3. Heavy-duty auger feeds precise amounts of pellet fuel from the hopper into the firepot.
4. Pellets fall into the stainless steel firepot where the automatic igniter starts the pellet fuel on fire within 1 to 7 minutes for hands-free operation.
5. High pressure air is pulled into the base of firepot from the quiet combustion fan and forced through burning pellets. The variable speed control automatically allows the fan to be turned down in conjunction with the feed rate.



This process achieves almost complete combustion of the fuel (over 95%) and allows the greatest amount of heat value to be transferred into your home. The pellet fuel when burned leaves only residual ash.

6. The super-heated air is next drawn through a series of heat exchange tubes along the top of the firebox. Combined with the heat exchange plenum at the rear of the firebox, heat is pulled out of the fire and transferred into your home.
7. A super-quiet variable speed convection fan (130 CFM on compact and 165 CFM on large models) draws in the cool room air and pulls it around the heat exchange system. This transfers the heat from the appliance and delivers hot air directly into your home.

## Options



All models come standard with black painted door and grill. Pewter and 24 karat gold plated door and grills are available as upgrades.



Univeral ceramic logset fits all models and gives the flames a wood fire look.



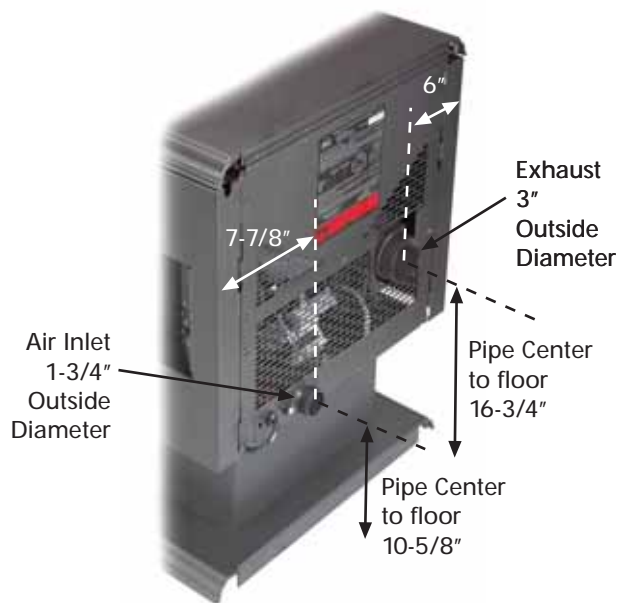
Wall Thermostat gives you the ability to maintain a set room temperature. Standard in both Yankee and Yankee Bay models.



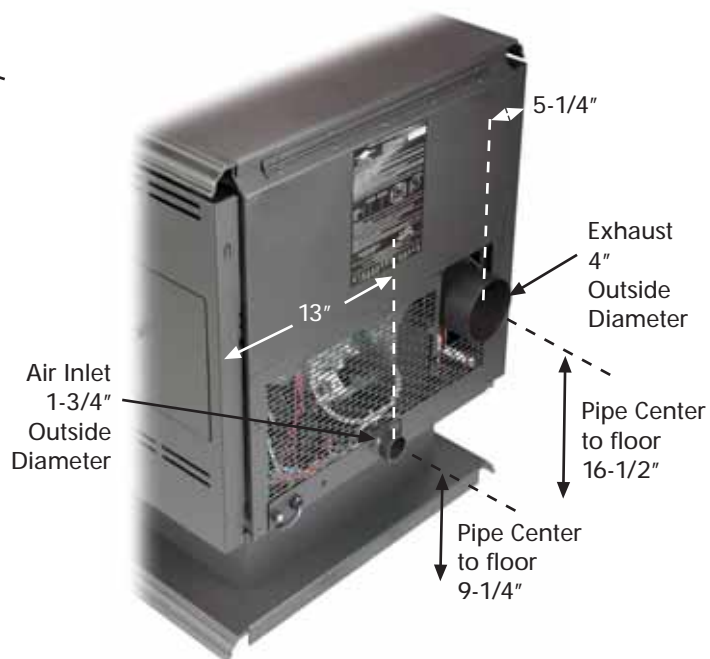
Remote Control Thermostat allows the ultimate in hands-free operation of your pellet appliance

# Stove Dimensions

## Pioneer



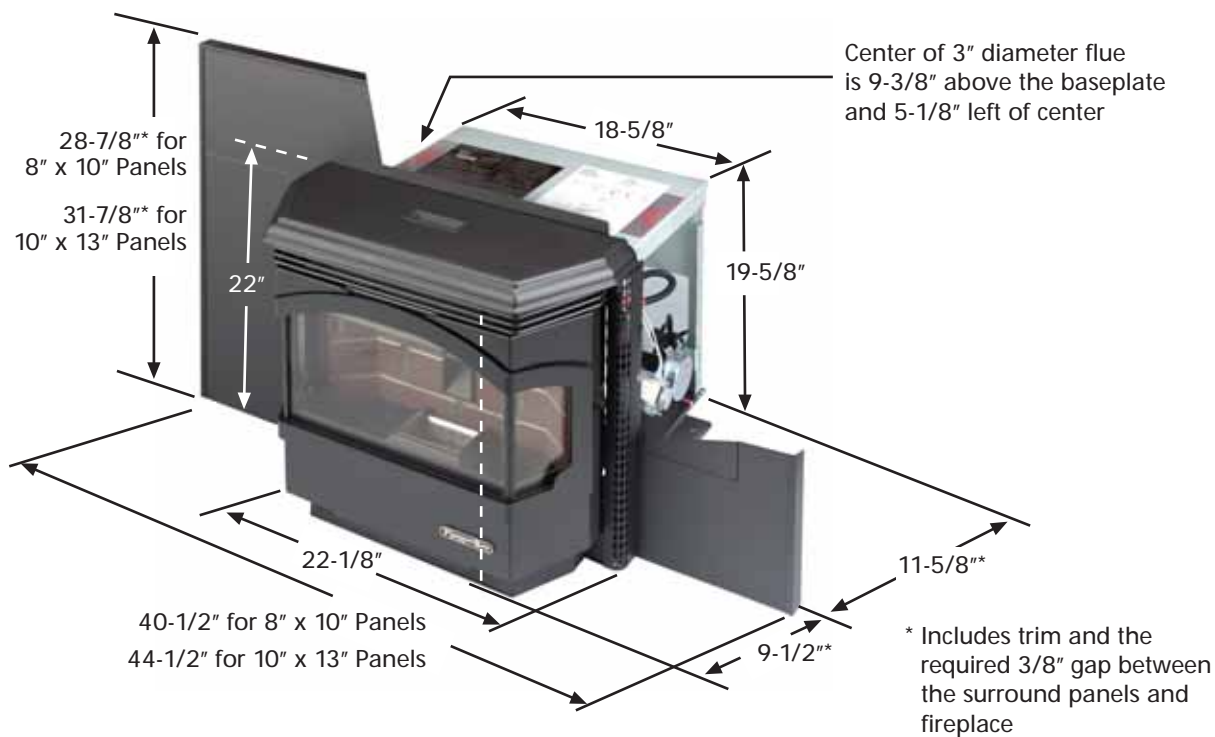
## Yankee



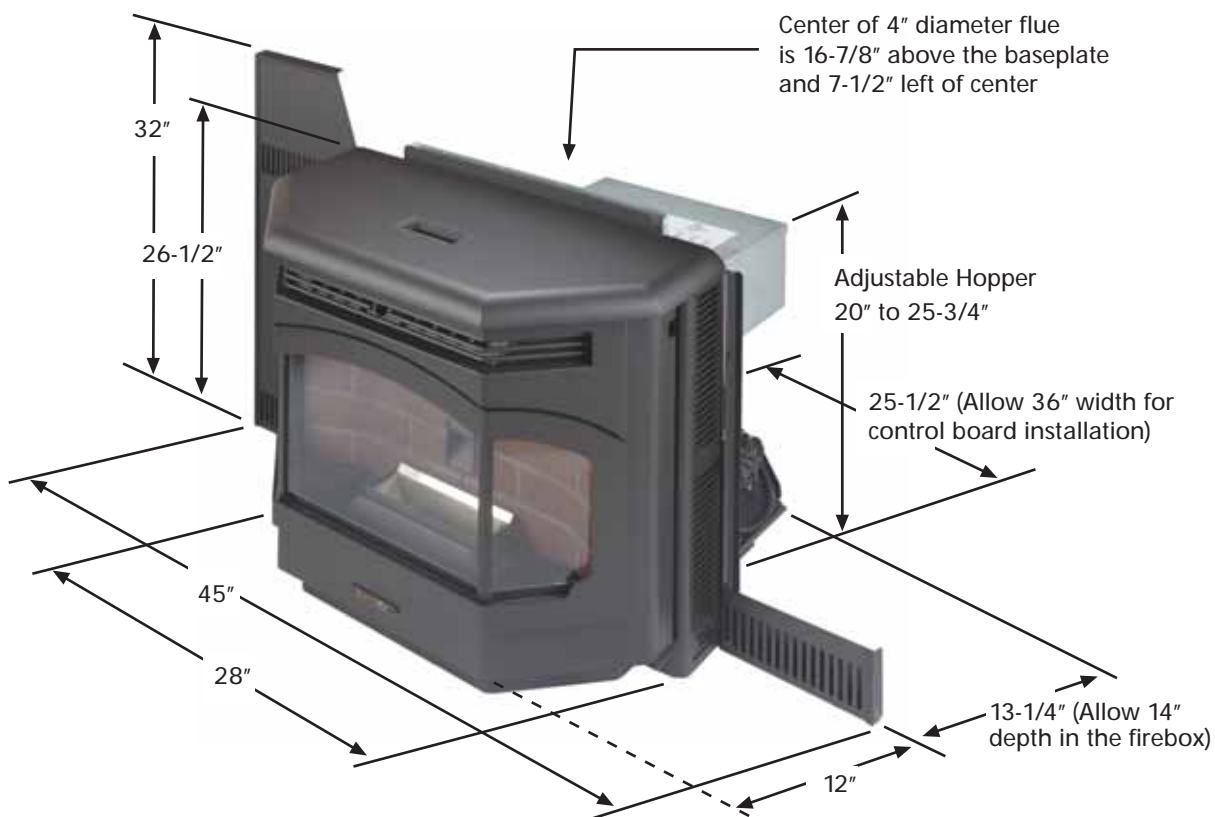


# Insert Dimensions

## Pioneer Bay



## Yankee Bay





Only the most professional specialty hearth retailers are selected to sell Lopi stoves, inserts and fireplaces. They represent our total commitment to exceptional products and excellent service. In addition, they have successfully completed special training programs in the proper selection, installation and service of all Lopi products.

Visit your local Lopi dealer for a professional demonstration and feel the heat for yourself!

Find your favorite fire today by visiting [www.lopifire.com](http://www.lopifire.com)



Lopi products are made  
in the U.S.A with pride.



---

Your Lopi Authorized Dealer:



© 2006 T. I. - Printed in U.S.A.

Lopi reserves the right to alter or improve its products at any time without notification. All trademarks belong to Travis Industries. #98800198  
Download from [Www.Somanuals.com](http://www.Somanuals.com). All Manuals Search And Download.

## Free Manuals Download Website

<http://myh66.com>

<http://usermanuals.us>

<http://www.somanuals.com>

<http://www.4manuals.cc>

<http://www.manual-lib.com>

<http://www.404manual.com>

<http://www.luxmanual.com>

<http://aubethermostatmanual.com>

Golf course search by state

<http://golfingnear.com>

Email search by domain

<http://emailbydomain.com>

Auto manuals search

<http://auto.somanuals.com>

TV manuals search

<http://tv.somanuals.com>