

# LEYDEN™

## TOP LOADING CAST IRON WOOD STOVE



## LOVE LIFE, LIVE LARGE

It's not just something we say, we believe it! So much that we designed a stove around the phrase and inscribed it in the lid! Life should be enjoyed and lived to the fullest. That's why we created the Leyden (LYE-den), the easiest to use wood stove we've ever made. With a top load design, the largest firebox in a medium-sized stove to hold more wood than ever before and cross-draft technology that gives you longer burn times with less refueling. The ash removal system is the most convenient to date with our slide out ash pan on drawer glides. All these features let you spend more time enjoying living in your home instead of heating it. The Leyden is just one more reason Lopi is America's Favorite Fire!



# LEYDEN™ TOP LOADING CAST IRON WOOD STOVE



## PAINT & PREMIUM ENAMEL FINISHES



**NEW IRON  
PAINT FINISH**



**OXFORD BROWN  
PREMIUM PORCELAIN  
ENAMEL**



**FIRE RUN RED  
PREMIUM PORCELAIN  
ENAMEL**



"We try to add a sense of fun to everything we do here at Lopi. I love what I do, and try to remember to live life fully each day. I cast the message "Love Life, Live Large" in the lid because I wanted to remind others in a small way to do the same in their daily life, each time they load wood into their Lopi Leyden stove."

*Kurt W. F. Rumens  
President, Travis Industries*

EPA Emissions	Overall Efficiency	Maximum Btu's/Hour**	Firebox Size	Heating Capacity*	Maximum Burn Time**	Maximum Log Length	Wood Capacity	Weight
2.4 Grams/Hr.	70 %	73,100	2.3 Cu. Ft.	Up to 2,000 Sq. Ft.	Up to 12 to 18 Hours	Up to 21 inches	45-65 Pounds	375 Lbs.

\* Heating Capacity may vary depending on the degree of home insulation, floor plan, ambient temperature zone of the area in which you live.

\*\* BTU Output and Burn Times may vary depending on moisture content of wood, wood type, chimney draft and oxygen supply.

Download from [www.Somanuals.com](http://www.Somanuals.com). All Manuals Search And Download.



## IT'S ALL IN THE DETAILS

The Leyden features details found in early American style architecture. The balance and symmetry of this stove impart an elegant charisma, and the fine quality details are featured on every inch of the stove from the sculptured castings to the special refractory lining. The large double doors feature a view of the fire with 190 sq. in. of ceramic glass.



## EASY-GLIDE ASHPAN

Our user-friendly ash pan glides on ball bearings and has a handle for easy lifting so you can quickly and easily empty the ashes. Our system requires no awkward bending or stooping and results in faster, more efficient ash removal.



## TOP LOAD CONVENIENCE

Top loading stoves are the easiest to fill. Simply lift the lid and drop in the wood. No wood or ashes tumble out or spill. The Leyden holds an amazing 45-65\* pounds of wood and accepts 21 inch log lengths.



\* Weights will vary depending on wood type and moisture content of the wood.

## OPTIONAL CONVECTION BLOWER



Besides the radiant heat that cast iron is so famous for, the Leyden is designed with a built-in heat-exchange chamber that transfers heat off the stove and into your home. This natural convection can

be enhanced with the whisper-quiet 160 CFM blower accessory option.

## HIGH EFFICIENCY PERFORMANCE



The Leyden's state-of-the-art cross-draft combustion technology was designed to allow an enormous, unobstructed firebox (no baffles or tubes) for maximum wood capacity and convenience. This results in adjustable heat output from a single air control and extremely long burn time for less frequent refueling. The combustion system also creates an aggressive, clean burning fire.

## WOOD POKER & GLOVES

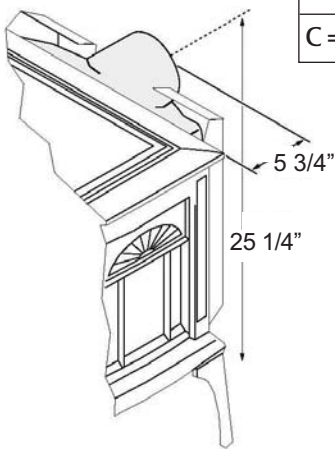
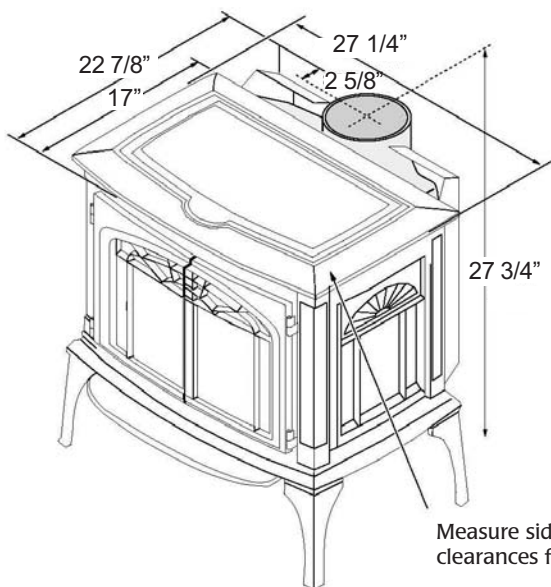


The Leyden is the only wood stove that ships with its own extra-long, custom-designed wrought iron poker and leather gloves so you can easily load and adjust wood around and inside the deep firebox. It is touches like this that make the Leyden the most convenient stove on the market.



# LEYDEN™ TOP LOADING CAST IRON WOOD STOVE

## DIMENSIONS

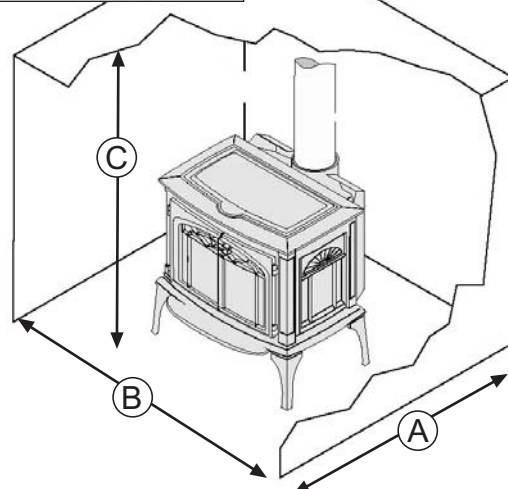


Measure side, corner, and back clearances from the stove top.

## ALCOVE CLEARANCES

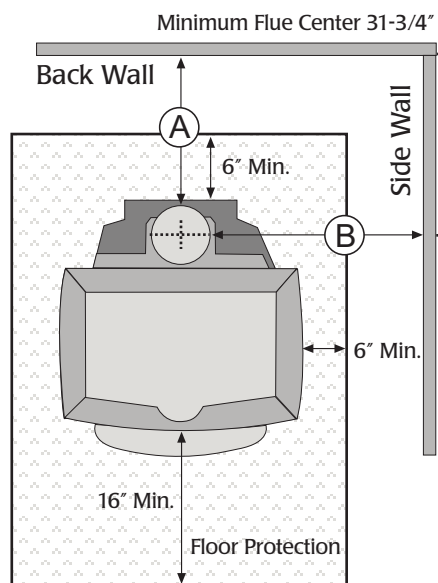
A = Maximum Depth	48"
B = Maximum Width	63 1/4"
C = Minimum Height	84"

Measured From Combustible Surfaces



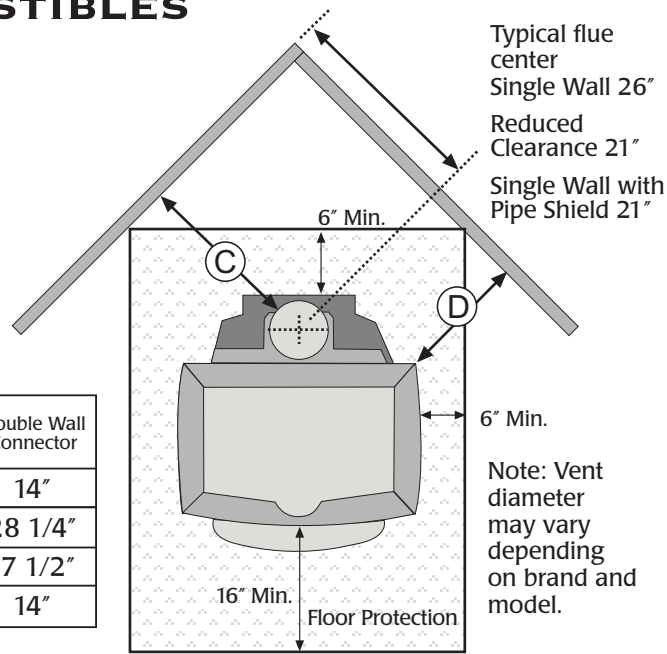
## CLOSE CLEARANCES TO COMBUSTIBLES

(Rear heat shield is a standard feature)



Minimum Flue Center 31-3/4"  
Back Wall  
Side Wall  
Typical flue center  
Single Wall 24"  
Reduced Clearance 17.5"  
Single Wall with Pipe Shield 14"

	Single Wall Connector	Single Wall Connector w/Pipe Shield	Double Wall Connector
A =	21"	11"	14"
B =	28 3/4"	28 3/4"	28 1/4"
C =	23"	18"	17 1/2"
D =	19"	14"	14"



Typical flue center  
Single Wall 26"  
Reduced Clearance 21"  
Single Wall with Pipe Shield 21"

Note: Vent diameter may vary depending on brand and model.

Measure front hearth pad clearances from the face of the stove (door opening).

Measure rear hearth pad clearances from the back of the heat shield.

Measure side hearth pad clearances from the nearest edge of the stove top.

Your Lopi Authorized Dealer is Located At:



Visit our Website at: [www.lopfire.com](http://www.lopfire.com)

© Copyright T. I. 2006 Printed in U.S.A.  
Photos and illustrations are for descriptive purposes only.

Download from [www.SerManuals.com](http://www.SerManuals.com) All Manuals Search And Download's Manual for complete installation requirements.

#98800235

## Free Manuals Download Website

<http://myh66.com>

<http://usermanuals.us>

<http://www.somanuals.com>

<http://www.4manuals.cc>

<http://www.manual-lib.com>

<http://www.404manual.com>

<http://www.luxmanual.com>

<http://aubethermostatmanual.com>

Golf course search by state

<http://golfingnear.com>

Email search by domain

<http://emailbydomain.com>

Auto manuals search

<http://auto.somanuals.com>

TV manuals search

<http://tv.somanuals.com>