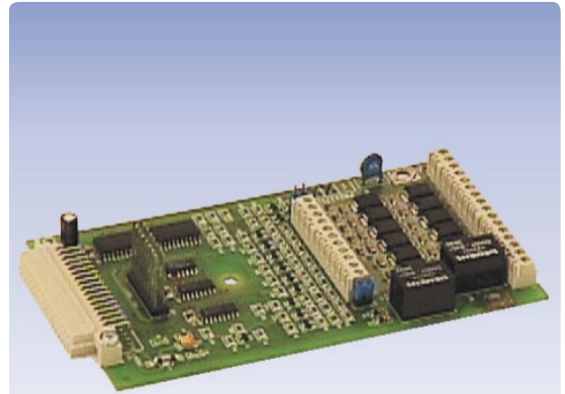


# Fire Brigade Interface

## FWI2-1/FWZ2-1

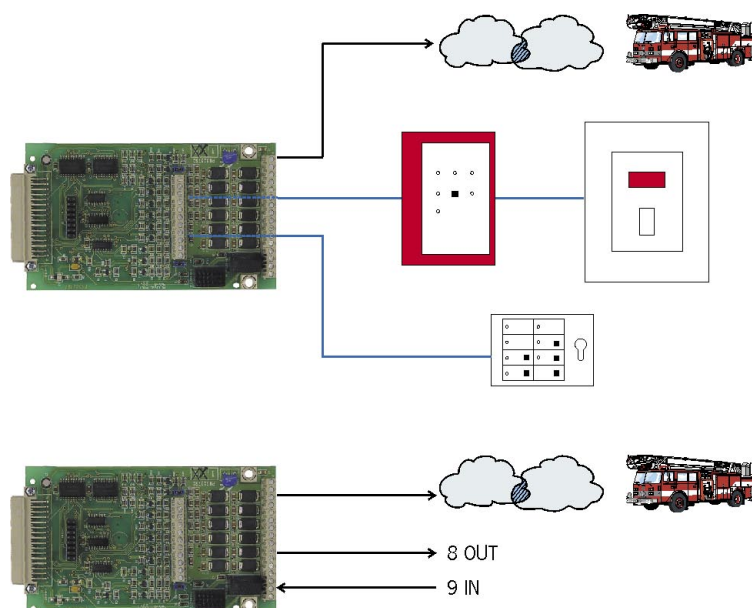
- 2 independent relay outputs
- 9 inputs and 8 outputs for control tasks
- Connection of country-specific fire brigade control units
- Line monitoring by means of auxiliary module



### Description

The Fire Brigade Interface FWI2-1 by means of dry contacts allows for the connection of two independent transmitting devices for the direct interconnection with a designated alarm respondent (e.g., the fire brigade) as well as the connection of a country-specific fire brigade control unit to fire detection control panels Series BC216.

The parameters of the nine inputs and eight outputs can also be freely set and thus are available for general control tasks. Optionally, the Fire Brigade Interface Additional Board (FWZ2-1) can be attached to the Fire Brigade Interface. This unit allows for the connection of two independent, line-monitored transmitting devices. The surveillance current can be adjusted in three levels.



VdS

Building Safety. Building Security.

**LST**

## Specifications

### FWI2-1

Current consumption at 24V	typ. 4mA
Switching power per contact	60V/1A/30W
Contact life	3 × 10 <sup>5</sup>
Ambient temperature	-5°C to +50°C
Dimensions L × W × H	132 × 74 × 10 (mm)
Weight	70g
Part No.	214022
Order name	Fire Brigade Interface FWI2-1

### FWZ2-1

Current consumption at 24V	typ. 4mA (both outputs not connected) max. 28mA (both outputs connected)
Ambient temperature	-5°C to +50°C
Dimensions L × W × H	117 × 74 × 10 (mm)
Weight	70g
Part No.	214023
Order name	Fire Brigade Interface Additional Board FWZ2-1



## Free Manuals Download Website

<http://myh66.com>

<http://usermanuals.us>

<http://www.somanuals.com>

<http://www.4manuals.cc>

<http://www.manual-lib.com>

<http://www.404manual.com>

<http://www.luxmanual.com>

<http://aubethermostatmanual.com>

Golf course search by state

<http://golfingnear.com>

Email search by domain

<http://emailbydomain.com>

Auto manuals search

<http://auto.somanuals.com>

TV manuals search

<http://tv.somanuals.com>