

Lucent Technologies
Bell Labs Innovations



DSCP Series 400/400-CO (PA-8500)
Hardware Installation Guide (FTX systems)

Revision 0.0
5/5/00

Copyright© 2000 Lucent Technologies. All Rights Reserved.

This material is protected by the copyright laws of the United States and other countries. It may not be reproduced, distributed, or altered in any fashion by any entity (either internal or external to Lucent Technologies), except in accordance with applicable agreements, contracts or licensing, without the express written consent of Lucent Technologies, Inc.

Notice

Every effort was made to ensure that the information in this document was complete and accurate at the time of printing. However, information is subject to change.

Interference Information: Part 15 of FCC Rules

The equipment document in this manual generates and uses radio frequency energy, which, if not installed and used in strict accordance with the instructions in this manual, may cause harmful interference to radio communications. The equipment has been tested and found to comply with the limits for a Class A computing device pursuant to Subpart J of Part 15 of FCC rules, which are designed to provide reasonable protection against such interference when operated in a commercial environment.

Operation of this equipment in a residential area is likely to cause interference, in which case the user at his own expense will be required to take whatever measures may be required to correct the interference.

Trademarks

DNCP is a trademark of Lucent Technologies Inc.

Continuum is a trademark of Stratus Computer, Inc.

RSN is a trademark of Stratus Computer, Inc.

Hewlett-Packard and HP are registered trademarks of Hewlett-Packard.

PA/RISC is a trademark of Hewlett-Packard.

Other trademarks and trade names mentioned in this publication belong to their respective owners.

For more Lucent trademark information, contact (908) 903-6384

Manual Conventions

For standardization purposes, the following conventions will be used throughout this manual

- **Bolded Text** is used for information which needs to be emphasized
- *Italicized text* is used for information which needs to be identified, such as component names or a specific system status

The following conventions relate primarily to the software sections:

- **Courier new bold text** is used to indicate commands the user is to type.
- Courier new text is used to indicate screens commands/printouts that the user would see,
or to indicate, in an explanation paragraph, the type of command a user is to use to execute
this function.
- <keyboard key> or <onscreen key> is used to indicate either a keyboard or onscreen key the user needs to recognize or press.

- | |
|--------------------------------|
| Boxed text in courier new font |
|--------------------------------|

(in Chapters 5 and 6) show information which is being referred to
(this can include report printouts or other data--sales picklists...)

1. Preparing to Install the System

- [Safety Considerations](#)
- [Required Tools](#)
- [System Description-- for DNCP Series 400 \(PA-8500\) Cabinet](#)
- [System Description-- for DNCP Series 400-CO \(PA-8500\) Cabinet](#)
- [Status Lights](#)
- [System Peripherals](#)

2. Installing the Core System Components

- [Installing the Cabinet -- for DNCP Series 400 \(PA-8500\)](#)
- [Installing the Cabinet -- for DNCP Series 400-CO \(PA-8500\)](#)
- [Installing the System Console](#)
- [Installing a C419/C619 Modem for RSN Use](#)
- [Installing PCI Cards and Cables](#)

3. Installing the Tape Drives

- [Installing a Stand-Alone T800-Series Tape Drives](#)
- [Installing Daisy-Chained T800-Series Tape Drives](#)
- [Completing the Installation of Tape Drives on a Running System](#)

4. Booting the System

5. Configuring the RSN and C416/C619 Modem

- [Preparing to Configure the RSN](#)
- [Configuring the RSN](#)
- [Configuring the C419/C619 Modem](#)
- [Completing and Verifying Configuration of the RSN](#)

6. Sending the Installation Report

- [Preparing an Installation Report](#)
- [Sending an Installation Report to CAC](#)
- [Sample Installation Report](#)

Appendix A. Fault Isolation

- [General LED Information](#)
- [System Component LEDs](#)
 - [Power Supply LEDs](#)
 - [Disk Shelf LEDs](#)
 - [Suitcase LEDs](#)
 - [PCI Card LEDs](#)
- [System Log and Status Messages](#)
- [Component Status](#)
 - [Software State Information](#)
 - [Hardware Status Information](#)
- [Fault Codes](#)
- [Troubleshooting Procedures](#)

Chapter 1

Preparing to Install the System

This chapter contains important information to read before proceeding with the installation, such as a system description and vital safety considerations. This chapter is divided into the following sections.

- [Safety Considerations](#)
- [Required Tools](#)
- [System Description](#)

1.1 Safety Considerations

Before installing the system, be sure to take the following important precautions.



WARNINGS

To ensure a safe and effective installation, follow the procedures exactly as they are written in this manual

- Do not attempt to install the system without the assistance of another able-bodied person. The size and weight of the system do not allow it to be safely installed by one person.
- The information in this manual assumes that the system site has been prepared, and the system unpacked, according to the instructions in the *DNCP Series 400/400-CO (PA-8500): Site Planning Guide (R454)* and the *DNCP Series 400/400-CO: Unpacking Instructions*. Refer to these manuals before proceeding with the installation.
- Observe all applicable industry safety standards.
- Provide the necessary space and light to safely perform the installation.
- Do not wear conducting objects, such as rings, bracelets, and keys.
- Before installing the system, familiarize yourself with the system hardware and how to get help during the installation by reading the remainder of this chapter.

1.2 Required Tools

To install the system, the following tools are necessary.

- Flat-blade screwdriver
- Phillips-head screwdriver
- Torque wrench
- Torx head wrench tool set
- Digital voltmeter

1.3a System Description -- for DNCP Series 400 (PA-8500)

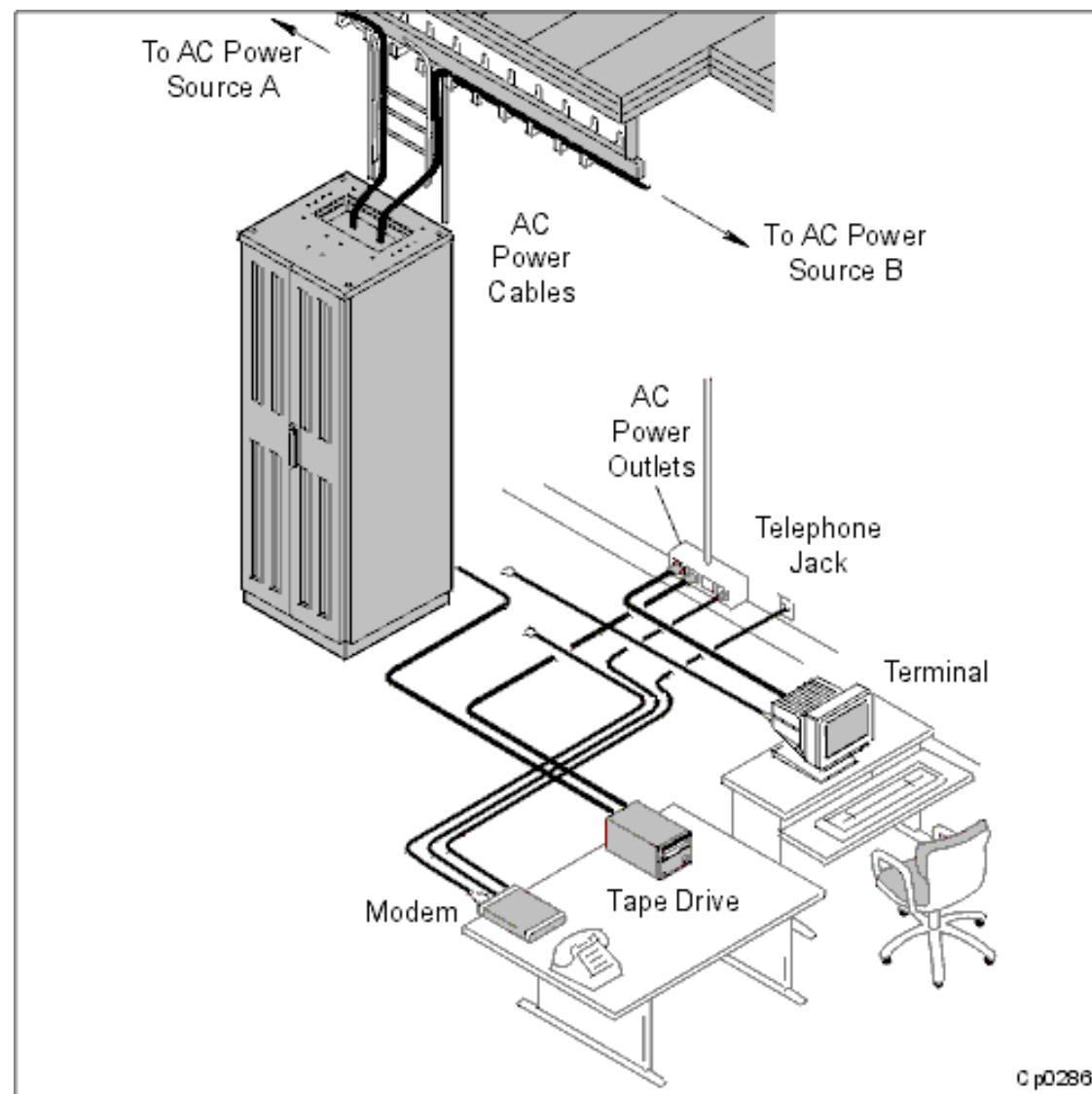
The DNCP Series 400 (PA-8500) system combines the Hewlett-Packard PA-RISC PA-8500 microprocessor with Lucent's continuously available hardware. This system uses AC power. The DNCP Series 400 (PA-8500) system utilizes the FTX operating system.

The DNCP Series 400 (PA-8500) achieves continuous availability by partnering, or *duplexing*, two identical online components, so that if one fails, its partner continues to operate. Other system components ensure availability by operating

in *standby mode*, with one component online, while the other "stands by" to take over operation should its partner fail.

The DNCP Series 400 (PA-8500) must be installed by a qualified service technician, but most of the components are customer-maintainable. Its data communications subsystem, based on a Peripheral Component Interconnect (PCI) bus, utilizes state-of-the-art PCI cards. Peripherals include T800-series cartridge tape and D85X CD-ROM drives, V105 terminals, and C419/C619 modems, which are described later in this chapter. See *Figure 1.1* for an illustration of the DNCP Series 400 (PA-8500) system installed in a typical computer-room environment. The sections that follow describe DNCP Series 400 (PA-8500) components.

Figure 1.1. DNCP Series 400 (PA-8500) System in a typical computer-room environment



1.3a.1 DNCP Series 400 (PA-8500) Cabinet

Each DNCP Series 400 (PA-8500) consists of a single cabinet that houses all major system components. Two sets of doors on the front and rear of the cabinet provide access to these components. The following sections describe the cabinet components.

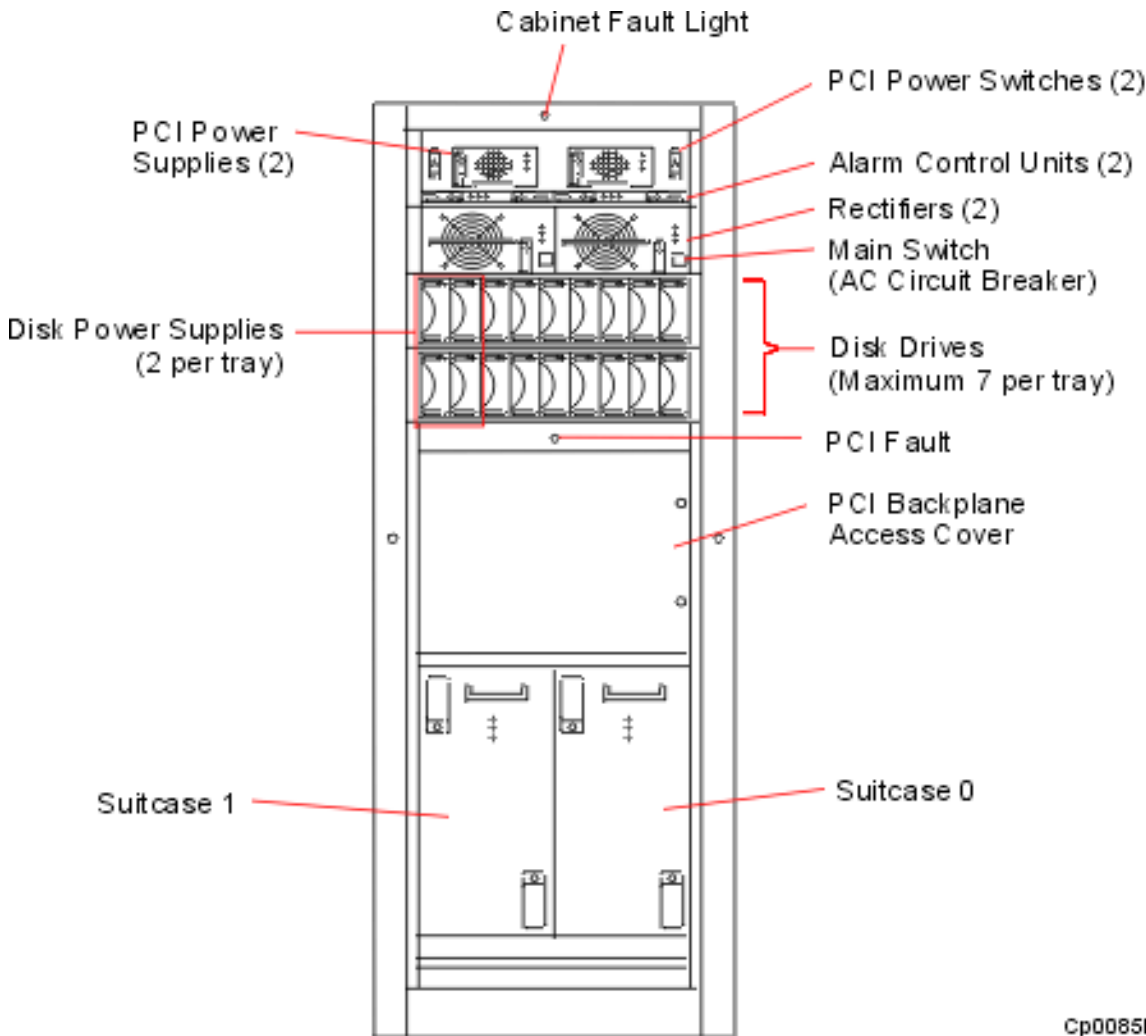
- [Cabinet: Front Components](#)
- [Rear Components](#)

- [System Ventilation](#)

1.3a.1.1 DNCP Series 400 (PA-8500) Cabinet: Front Components

For the components housed in the front of the cabinet, *See Figure 1.2* which is also described in the following paragraphs.

Figure 1.2. DNCP Series 400 (PA-8500) Cabinet: Front View



The amber *cabinet fault light*, located at the top of the cabinet frame, above the doors, illuminates when one or more components within the cabinet have failed. (For a more detailed explanation of system status lights, refer to the [Appendix](#).)

The *power trays* are located just below the cabinet fault light:

- Power Tray 2 (on the top) includes two power supply units to power the PCI card cage bays. At the base of Power Tray 2 are two Alarm Control Units (ACUs). The ACUs control the speed of the cabinet fans, monitor the status of components within the cabinet, and control the component status lights. One ACU is online, while the other is in standby mode.
- Power Tray 1 (below Power Tray 2) includes two rectifiers to convert AC power to the necessary DC voltage for the entire system.

Below the power trays are *two disk shelves*. Each disk shelf has nine slots, the two leftmost slots are reserved for two disk power supply units, the other slots house up to seven 9GB or 18GB *Small Computer System Interface (SCSI) disk drives*.

Maximum duplexed storage capacity is 126 GB per disk shelf, 252 GB per DNCP Series 400 (PA-8500) cabinet (63GB per disk shelf, 126GB per system logical storage).

Located at the bottom of the cabinet are duplexed *logic suitcases*. These suitcases house the system's central logic functions: the Hewlett-Packard CPUs, memory modules, and console controller, which is the system's central collection point for maintenance, diagnostic information and user interface.

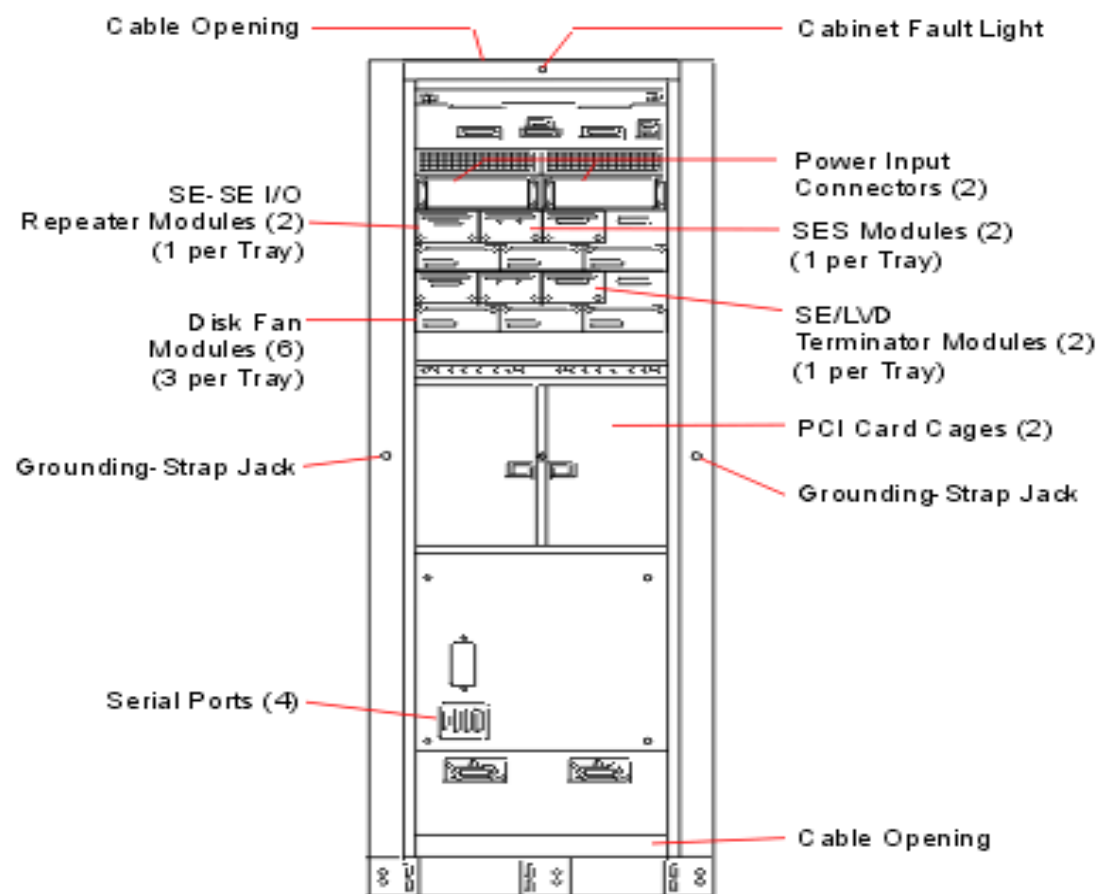
If the logic suitcases have a vinyl protective covering on the front, remove the covering once the system cabinet is in place.

Optional air filters are located below the suitcases, on the front of the disk shelves, and on the front of the two power trays. System air filters must be changed regularly. (Refer to *FTX Operating System: DNCP Series 400/400-CO (PA-8500) Operation and Maintenance Guide (RXXX)* for preventive maintenance instructions.)

1.3a.1.2 DNCP Series 400 (PA-8500) Cabinet: Rear Components

The rear of the cabinet has two doors that provide access to the components housed in the back of the cabinet. For an illustration, See *Figure 1.3* which is also described in the following paragraphs.

Figure 1.3. DNCP Series 400 (PA-8500) Cabinet: Rear View



Cp0036t

The top of the cabinet has a *cable opening* that provides access for routing system power cables and communications cables.

The top of the cabinet frame has an amber *cabinet fault light* that illuminates when a component within the cabinet has failed. (For a more detailed explanation of system status lights, refer to the [Appendix](#).)

The top region also contains the *power input connectors/backplane*. The power assembly contains the duplexed AC power

cables, and the alarm relay connector for remote alarm monitoring. Each power cable requires a separate AC electrical source.

Below the power input region (AC power chassis) are two disk shelves which each contain three cooling fans, a SES (SCSI Enclosure Services) unit, a SE-SE (single-ended to single-ended) I/O repeater module and a terminator module.

Below the disk shelves are two *PCI card cages*. Each card cage contains seven slots for PCI cards, for a total of 14 PCI cards per system. Each PCI card cage has one bridge card that provides the interface between the logic suitcases and the PCI cards. Each bridge card has a connector for a PC Memory Card International Association (PCMCIA) *flash card*, a credit-card-sized EEPROM used to boot the operating system.

Beside each of the PCI card cages is a jack for attaching a grounding strap.

Four *serial ports* at the bottom of the cabinet are used to connect the system to the:

- CPU/memory motherboard within each logic suitcase
- system console
- remote console
- Remote Service Network (RSN) modem (Not all systems are connected to the RSN. For an explanation of the RSN, refer to *FTX System Administrator's Guide: General Services (R455X)*)

The bottom of the cabinet also has a cable opening for routing power and communications cables.

1.3a.1.3 System Ventilation

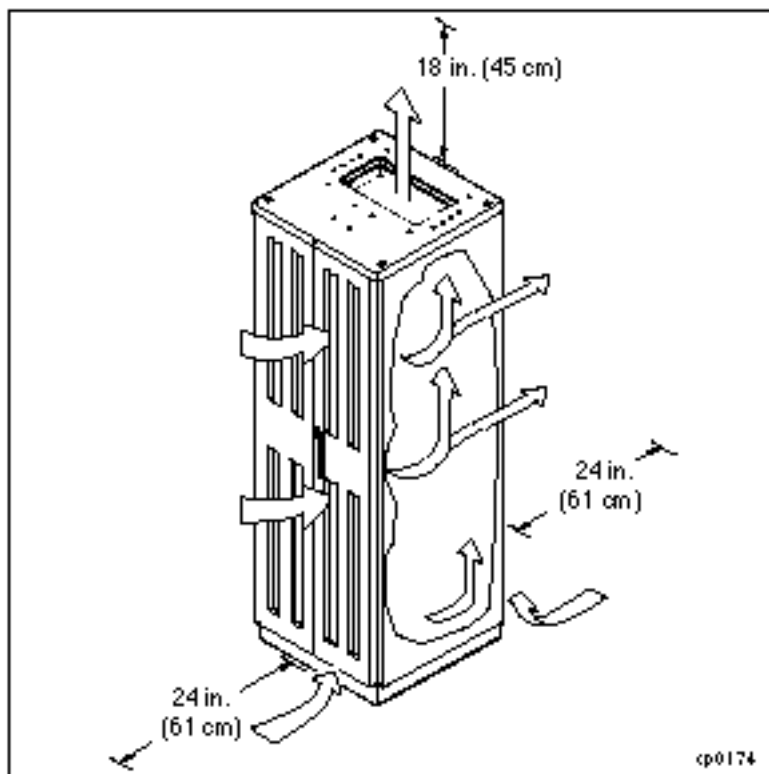
Ensure adequate air flow around the system during installation. The system requires two feet of clearance on the front and rear of the cabinet, and a minimum of 18 inches of unobstructed area above the top of the cabinet. For cabinet ventilation patterns and the required clearances to ensure proper cooling of internal components, *See Figure 1.4.*



CAUTION

Always ensure adequate air flow around the cabinet. Do not place objects on top of the cabinet, or where they obstruct air vents. Obstructed air vents can cause the system to overheat and parts within it to fail.

Figure 1.4. System Ventilation



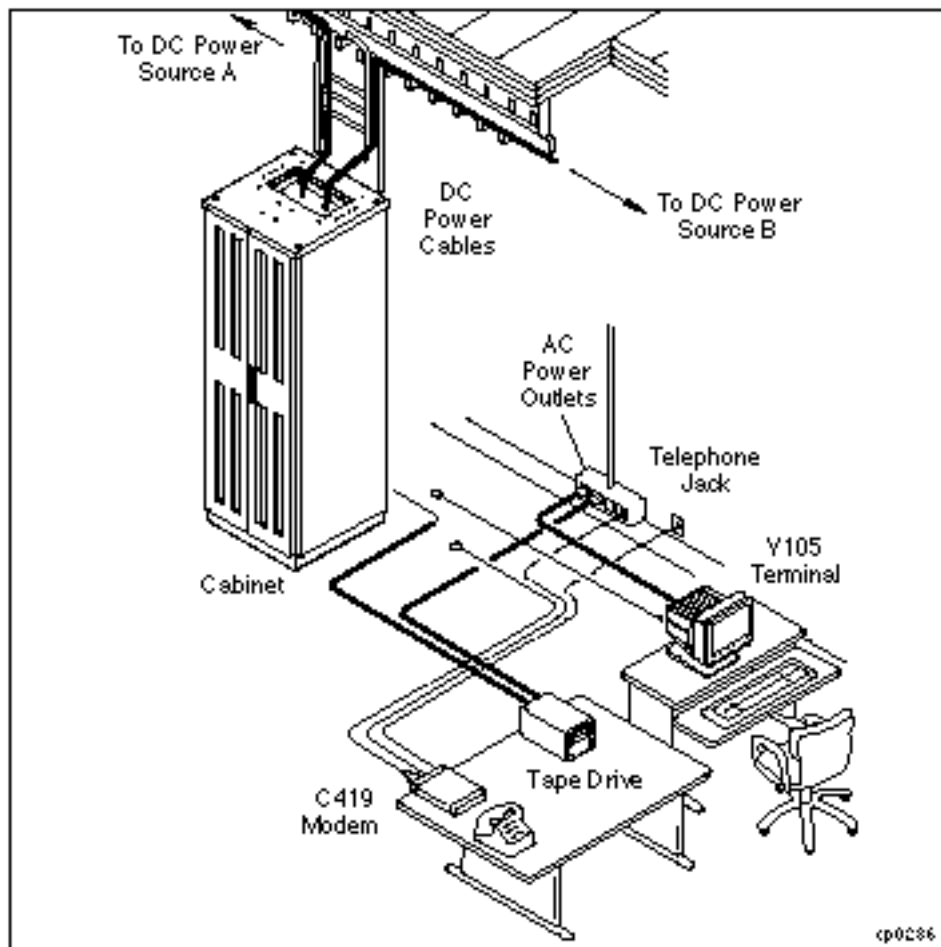
1.3b System Description for DNCP Series 400-CO (PA-8500)

DNCP Series 400-CO (PA-8500) system combines the Hewlett-Packard PA-RISC PA-8500 microprocessor, system features rapid symmetric multiprocessing and continuously available hardware. Designed specifically for the CO environment, the system is fully CO-compliant, including support of Zone 4 seismic resilience standards. This system uses DC power. The DNCP Series 400-CO (PA-8500) system utilizes the FTX operating system.

The DNCP Series 400-CO (PA-8500) achieves continuous availability by partnering, or *duplexing*, two identical online components, so that if one fails, its partner continues to operate. Other system components ensure availability by operating in *standby mode*, with one component online, while the other "stands by" to take over operation should its partner fail.

The DNCP Series 400-CO (PA-8500) must be installed by a qualified service technician, but most of the components are customer-maintainable. Its data communications subsystem, based on a Peripheral Component Interconnect (PCI) bus, utilizes state-of-the-art PCI cards. Peripherals include T800-series cartridge tape drives, D85X CD-ROM drives, V105 terminals, and C419/C619 modems, which are described later in this chapter. See *Figure 1.5* for an illustration of the DNCP Series 400-CO (PA-8500) system installed in a typical computer-room environment. The sections that follow describe DNCP Series 400-CO (PA-8500) components.

Figure 1.5. DNCP Series 400-CO (PA-8500) System in a computer-room environment



1.3b.1 System Description -- for DNPC Series 400-CO (PA-8500) Cabinet

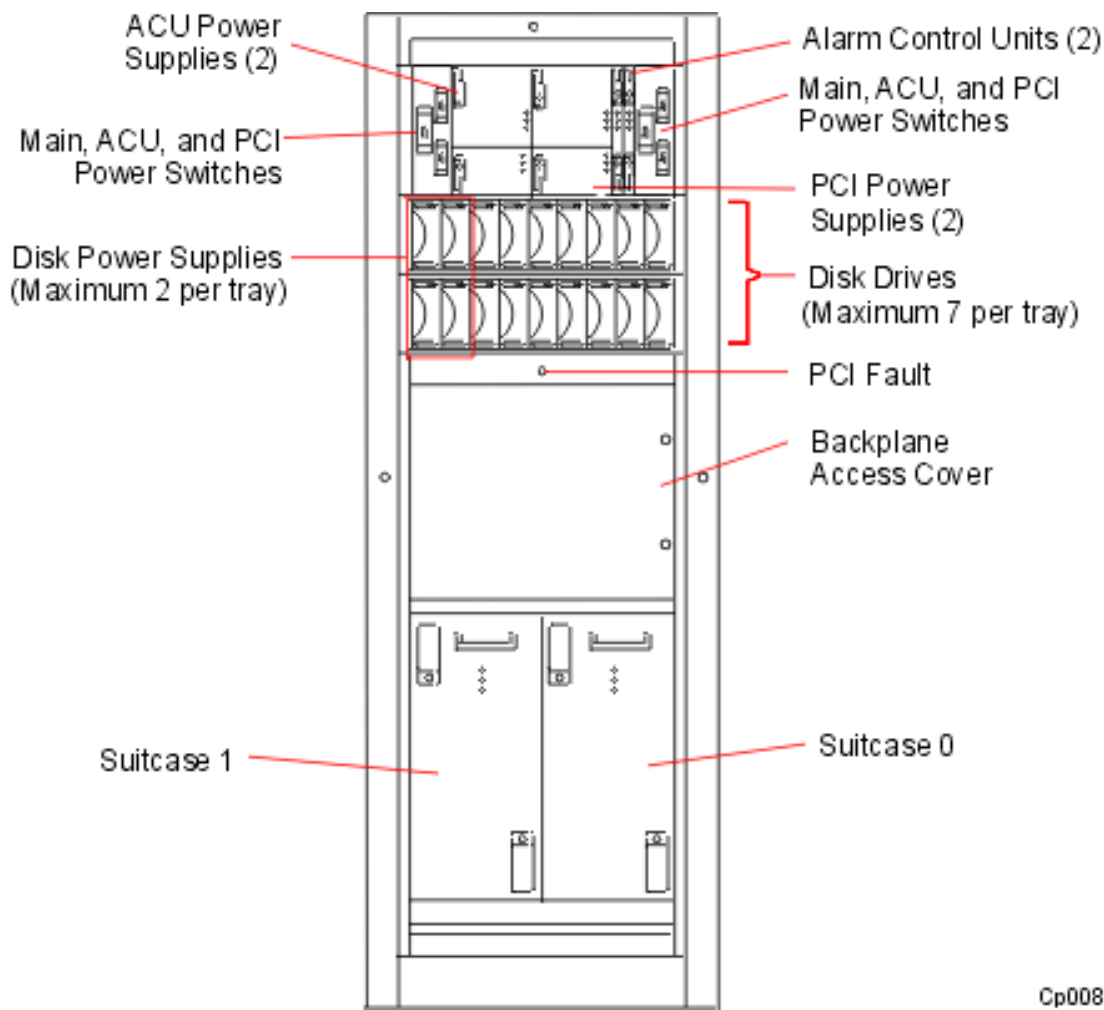
Each DNPC Series 400-CO (PA-8500) consists of a single cabinet that houses all major system components. Two sets of doors on the front and rear of the cabinet provide access to these components. The following sections describe the cabinet components.

- [Cabinet: Front and Rear Components](#)
- [System Ventilation](#)

1.3b.1.1 DNPC Series 400-CO (PA-8500) Cabinet: Front Components

For the components housed in the front of the cabinet, *See Figure 1.6*, which is also described in the following paragraphs.

Figure 1.6. DNPC Series 400-CO (PA-8500) Cabinet: Front View



The amber *cabinet fault light*, located at the top of the cabinet frame, above the doors, illuminates when one or more components within the cabinet have failed. (For a more detailed explanation of system status lights, refer to the [Appendix](#).)

Four duplex *power supplies* are located just below the cabinet fault light: the top two power the ACUs, and the bottom two power the PCI card cage bays. To the right of the power supplies are two Alarm Control Units (ACUs). The ACUs control the speed of the cabinet fans, monitor the status of components within the cabinet, and control the component status lights. One ACU is online, while the other is in standby mode.

Below the power trays are two *disk shelves*. Each disk shelf has nine slots, the two leftmost slots are reserved for two disk power supply units, the other slots house up to seven 9GB or 18GB *Small Computer System Interface (SCSI) disk drives*. Maximum duplexed storage capacity is 126 GB per disk shelf, 252 GB per DNCP Series 400-CO (PA-8500) cabinet (63GB per disk shelf, 126GB per system logical storage).

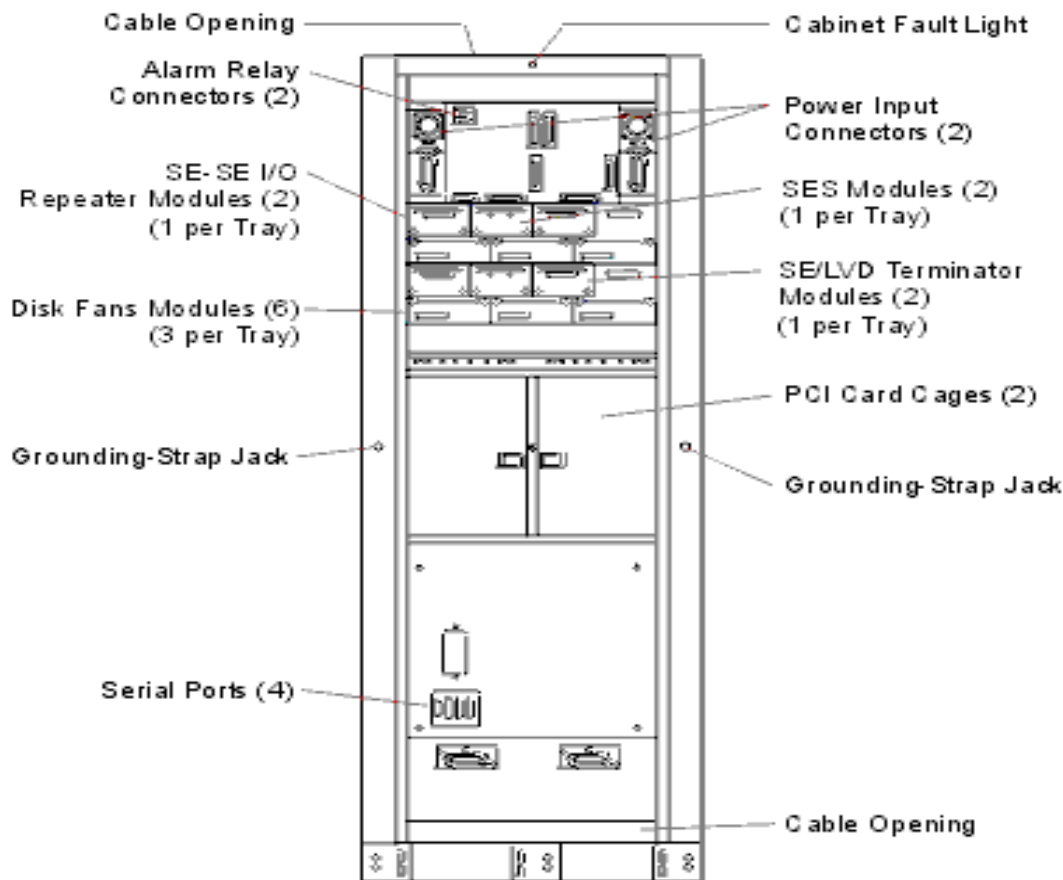
Located at the bottom of the cabinet are duplexed *logic suitcases*. These suitcases house the system's central logic functions: the Hewlett-Packard CPUs, memory modules, and console controller, which is the system's central collection point for maintenance and diagnostic information.

If the logic suitcases have a vinyl protective covering on the front, remove the covering once the system cabinet is in place.

Optional air filters are located below the suitcases, on the front of the disk shelves, and on the front of the DC power supply chassis. System air filters must be changed regularly. (Refer to *FTX Operating System: DNCP Series 400/400-CO (PA-8500) Operation and Maintenance Guide (RXXX)* for preventive maintenance instructions.)

1.3b.1.2 DNCP Series 400-CO (PA-8500) Cabinet: Rear Components

The rear of the cabinet has two doors that provide access to the components housed in the back of the cabinet. For an illustration, See *Figure 1.7*, which is also described in the following paragraphs.

Figure 1.7. DNCP Series 400-CO (PA-8500) Cabinet: Rear View

Cp0036z

The top of the cabinet has a *cable opening* that provides access for routing system power cables and communications cables.

The top of the cabinet frame has an amber *cabinet fault light* that illuminates when a component within the cabinet has failed. (For a more detailed explanation of system status lights, refer to the [Appendix](#))

The top region also contains the *power input connectors* for the duplexed DC power cables, and the alarm relay connector for remote alarm monitoring. Each power cable requires a separate -48V nominal DC electrical source.

Below the power input region (DC power chassis) are *two disk shelves* which each contain three cooling fans, a SES (SCSI Enclosure Services) unit, a SE-SE (single-ended to single-ended) I/O repeater module and a terminator module.

Below the disk shelves are *two PCI card cages*. Each card cage contains seven slots for PCI cards, for a total of 14 PCI cards per system. See the PCI-card installation manual for detailed information about a specific PCI card. Each PCI card cage has one bridge card that provides the interface between the logic suitcases and the PCI cards. Each bridge card has a connector for a PC Memory Card International Association (PCMCIA) *flash card*, a credit-card-sized EEPROM used to boot the operating system.

Beside each of the PCI card cages is a jack for attaching a grounding strap.

Four *serial ports* at the bottom of the cabinet are used to connect the system to the:

- CPU/memory motherboard within each logic suitcase
- system console
- remote console
- Remote Service Network (RSN) modem (Not all systems are connected to the RSN. For an

explanation of the RSN, refer to *FTX System Administrator's Guide: General Services (R455X)*

The bottom of the cabinet also has a cable opening for routing power and communications cables.

1.3b.1.3 System Ventilation

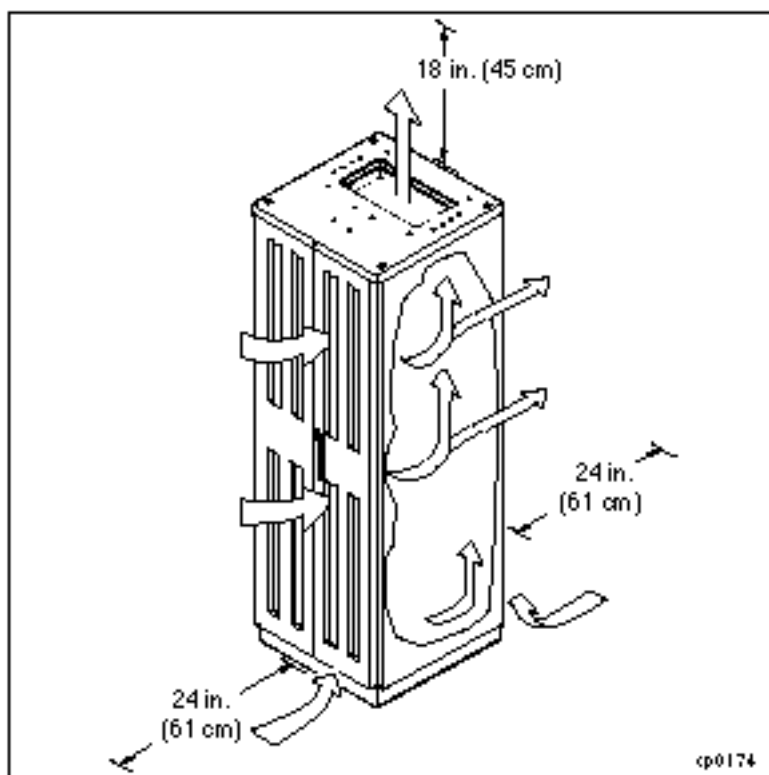
Ensure adequate air flow around the system during installation. The system requires two feet of clearance on the front and rear of the cabinet, and a minimum of 18 inches of unobstructed area above the top of the cabinet. For cabinet ventilation patterns and the required clearances to ensure proper cooling of internal components, See *Figure 1.8*.



CAUTION

Always ensure adequate air flow around the cabinet. Do not place objects on top of the cabinet, or where they obstruct air vents. Obstructed air vents can cause the system to overheat and parts within it to fail.

Figure 1.8. System Ventilation



1.4 Status Lights

Status lights on individual components enable customers to narrow down a problem to a single failed component. If a problem occurs during the system installation, strategically-placed status lights provide assistance in diagnosing the problem.

For more detailed information on system status lights (LEDs):

- Check the labels on the cabinet. They explain the meaning of the cabinet, power supply, PCI and disk LEDs.
- Refer to the [Appendix](#) in this manual
- If a red, amber, or yellow light is illuminated and remains lit during the installation process, try reseating the component and its partner. If the component still does not come online, refer to *Operating System: DNCP Series 400/400-CO (PA-8500) Operation and Maintenance Guide (RXXX)* for further status-light information and

component troubleshooting procedures.

1.5 System Peripherals

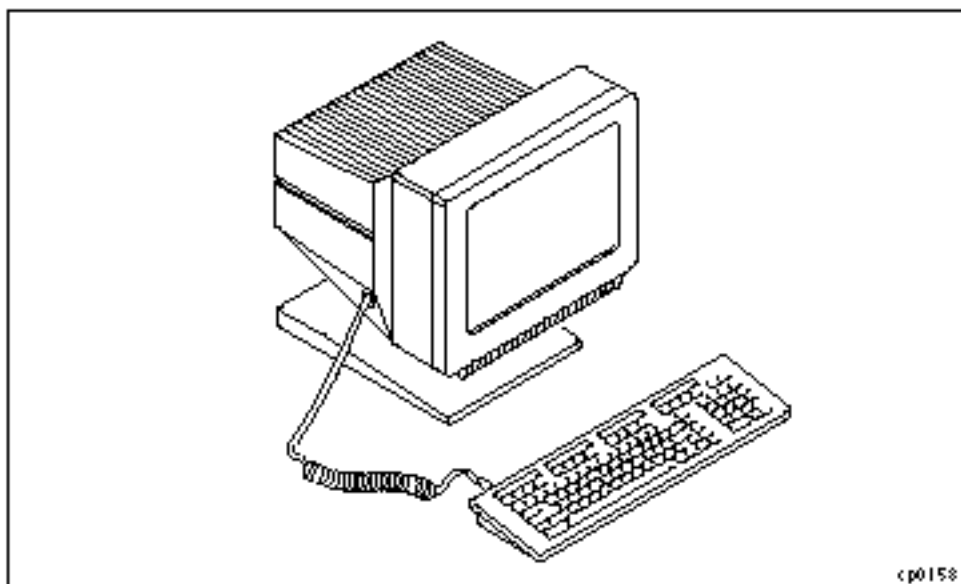
The DNCP Series 400/400-CO (PA-8500) can include the peripherals described in the following sections.

- [V105 Terminal](#)
- [C419/C619 Modem](#)
- [Tape and CD-ROM Drives](#)

V105 Terminal

The V105 terminal, which is shipped with most DNCP Series 400/400-CO (PA-8500) systems, is an ASCII character-mode terminal that can be configured to operate as a system console to display system error and status information. The V105 can also be used as a standard user terminal for communicating with system applications. It is available with either an ANSI or PC keyboard. The V105 connects to either the Console (J315) or Auxiliary Console (J316) serial port on the rear of the cabinet. For an illustration of the V105 terminal, (See *Figure 1.10*)

Figure 1.10. V105 Terminal

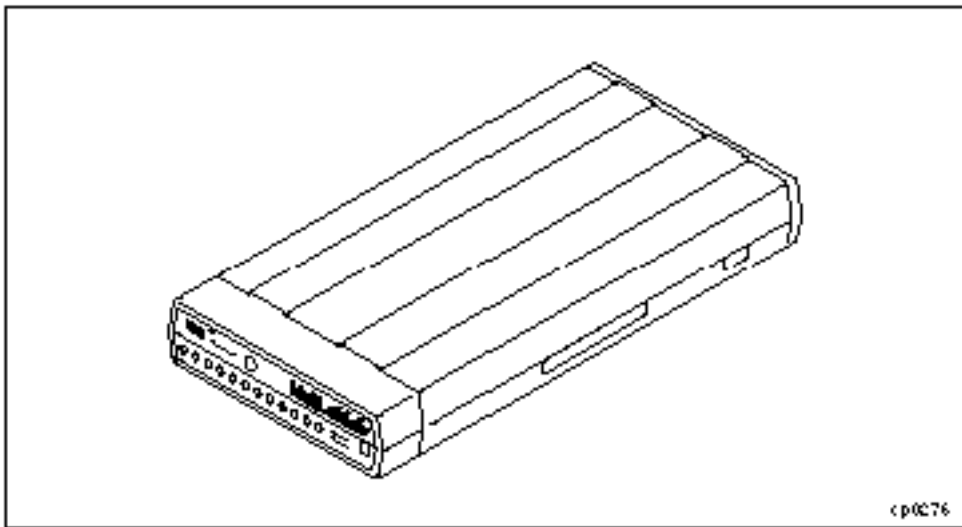


DNCP Series 400/400-CO (PA-8500) systems can also support other terminals as long as they are properly defined within the system.

C419/C619 Modem

DNCP Series 400/400-CO (PA-8500) systems are connected to the Lucent Customer Assistance Center (CAC) through a C419/C619 modem and a dedicated telephone line. The C419/C619 modem is preconfigured for RSN operation and can transmit data at 33,600 bps. For an explanation of the RSN, refer to *FTX System Administrator's Guide: General Services (R455X)*. For an illustration of the C419/C619 modem, See *Figure 1.11*.

Figure 1.11 C419/C619 Modem



To troubleshoot and replace a failed C419/C619, see *FTX Operating System: DNCP Series 400/400-CO (PA-8500) Operation and Maintenance Guide (RXXX)*. For other information on the C419/C619 modem, see the vendor manual shipped with the modem.

Tape and CD-ROM Drives

DNCP Series 400/400-CO (PA-8500) systems support the T800-series tape and the D85X CD-ROM drives. For information about tape drive operation and maintenance, refer to *DNCP Series 400/400-CO (PA-8500): Tape Drive Operation Guide (R716)*. For information about CD-ROM drive operation and maintenance, refer to *DNCP Series 400/400-CO (PA-8500): CD-ROM Drive Installation and Operation Guide (R720)*.

Chapter 2

Installing the Core System Components

After unpacking the system, follow the instructions in this chapter to install the core system components. The *core system components* consist of the cabinet, V105 terminal, C419/C619 modem, and PCI cards. This chapter contains the following sections.

- [Installing the Cabinet](#)
- [Installing the System Console](#)
- [Installing a C419/C619 Modem for RSN Use](#)
- [Installing PCI Cards and Cables](#)



CAUTION

The information in this chapter assumes that the system site has been prepared according to the instructions in the *DNCP Series 400/400-CO: Site Planning Guide (R454)* and unpacked according to the instructions in the *DNCP Series 400/400-CO (PA-8500): Unpacking Instructions*.

2.1a Installing the Cabinet -- for DNCP Series 400 (PA-8500)

Install the cabinet by performing the steps in the following sections:

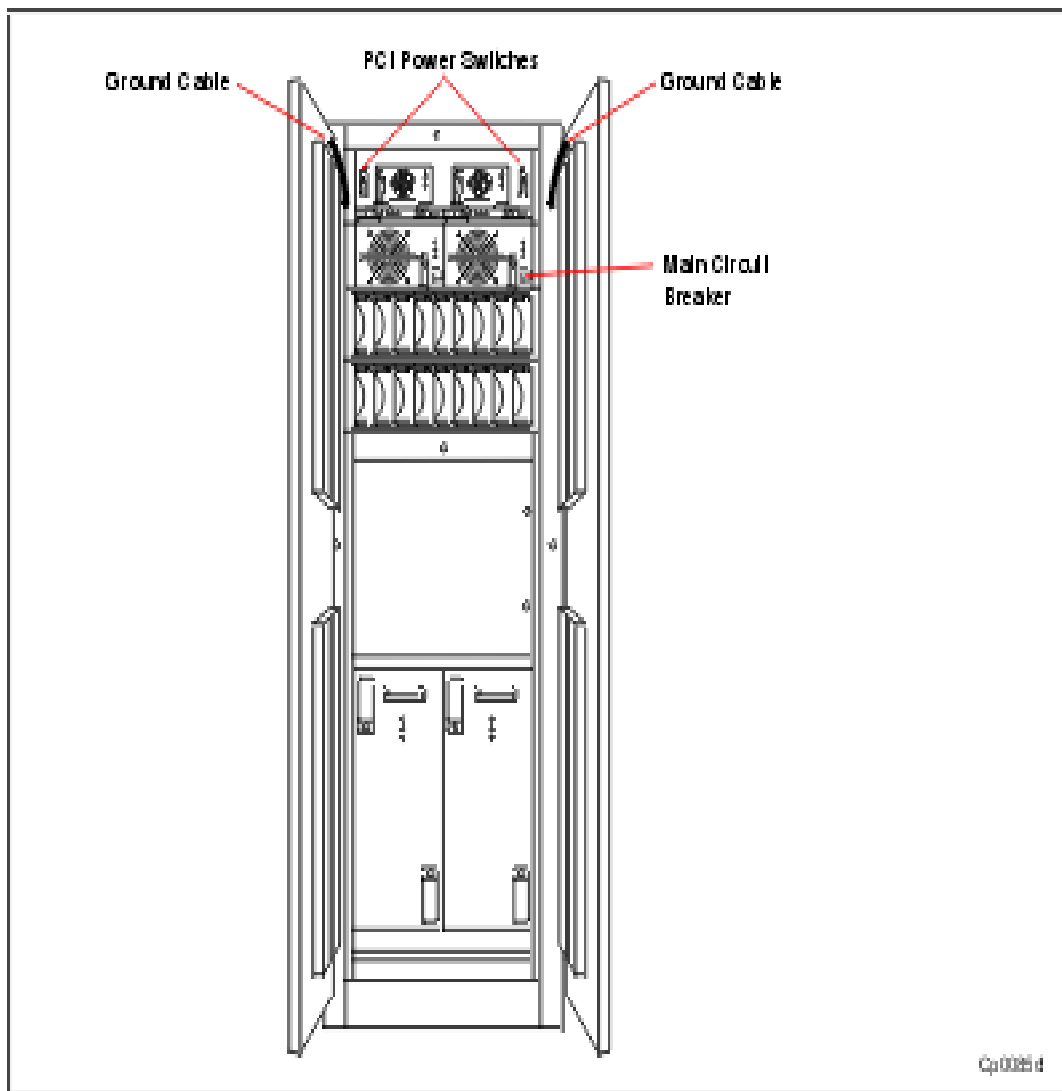
- If routing the power cables from the top of the cabinet, perform the following steps ([See Section 2.1a.1 Installing the Power Cables \(Top Entry\)](#)).
- If routing the power cables from the bottom of the cabinet, perform the following steps ([See Section 2.1a.2 Installing the Power Cables \(Bottom Entry\)](#)).

2.1a.1 Installing the Power Cables (Top Entry)

Perform the following steps to route the power cables from the top of the system.

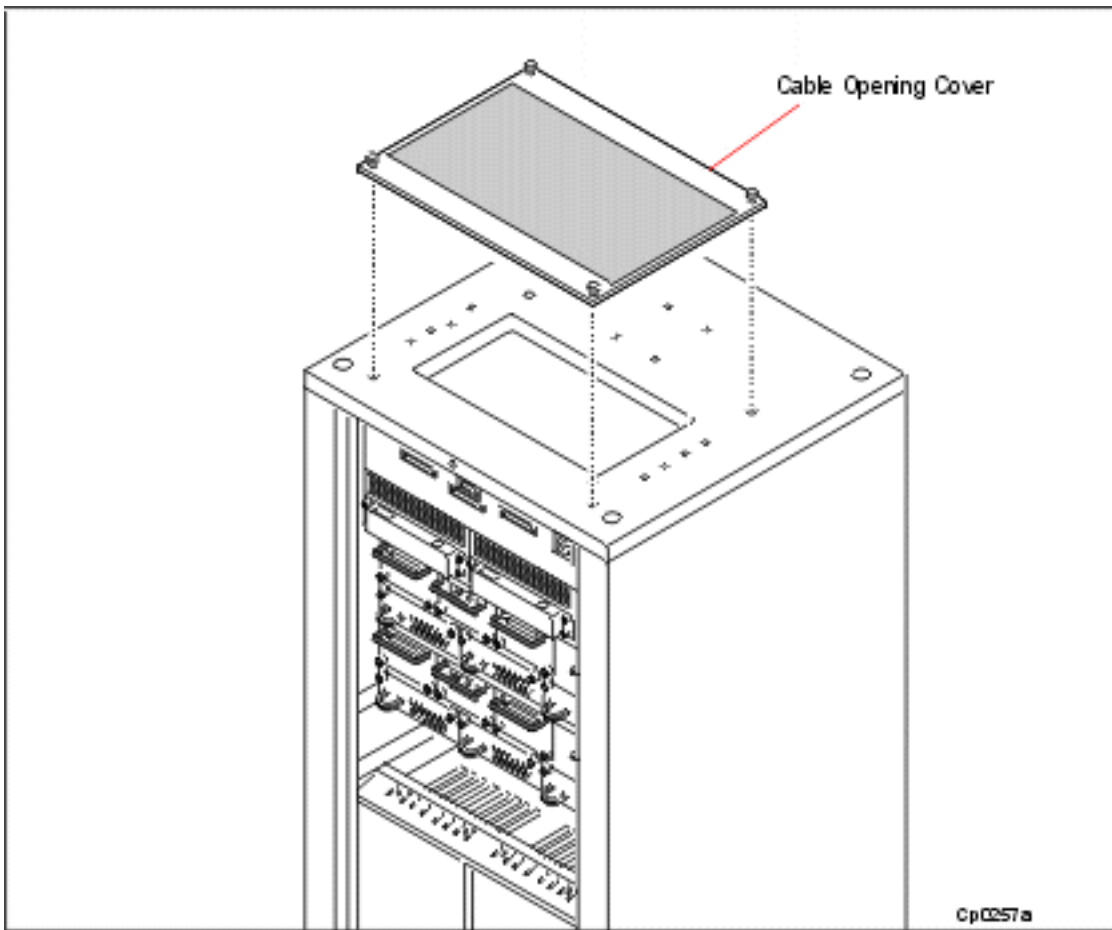
1. Open the cabinet doors.
2. Verify that the cabinet ground wires are connected from the cabinet frame to the doors.
3. Make sure that the two MAIN power switches/AC Input breakers on the front of the cabinet are in the **off (0)** position. (*See Figure 2.1*)

Figure 2.1. Cabinet Grounding Wires and MAIN Power Switches/AC Breaker



4. Using a flat-blade screwdriver, remove the cable opening cover from the top of the cabinet (*See Figure 2.2*).

Figure 2.2. Removing the Cable Opening Cover

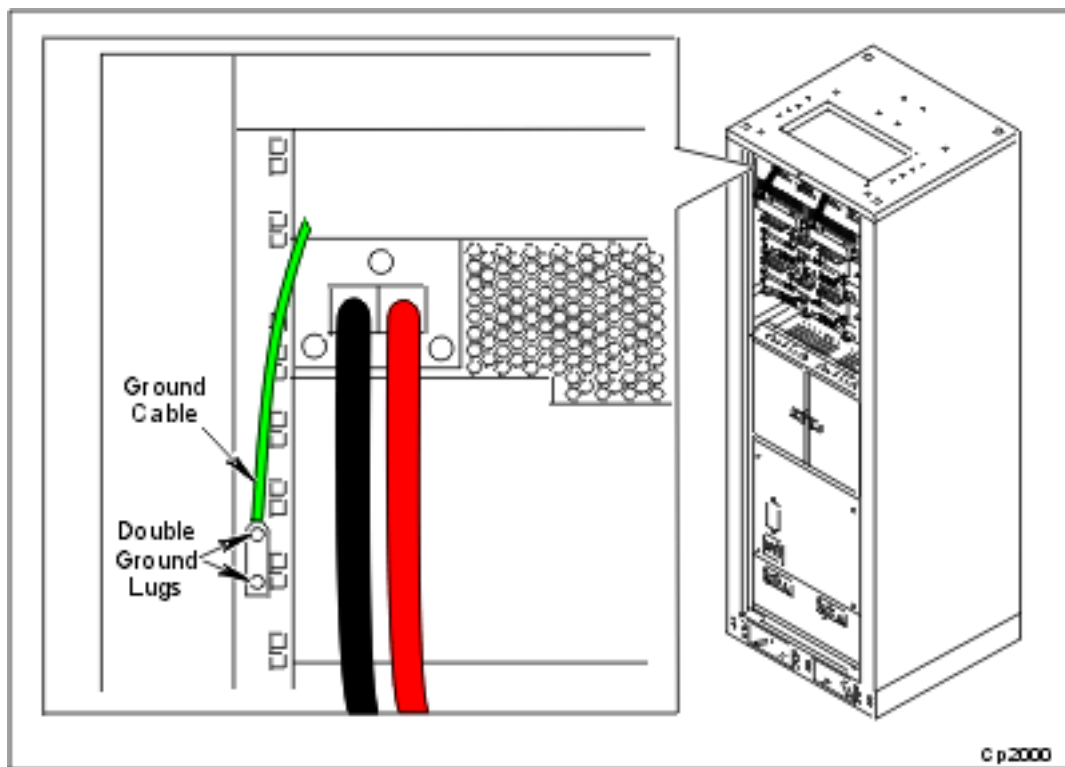


5. Using the torque wrench, attach the ground cable that is shipped with the system to the back of the system cabinet (See *Figure 2.3*), being careful not to apply more than 33 inch pounds of torque.

NOTE _____

The ground cable may be attached to the double ground lugs found on either the left or right side of the cabinet.

Figure 2.3. Attaching the Ground Cable (Top of cabinet)



6. Unpack the two system power cables from one of the cartons shipped with the system. The part number for each power cable appears on the cable and on the plastic bag in which the cable is shipped.



DANGER _____

Before connecting a power cable, always shut off both MAIN system power switches/AC input breakers on the same side of the cabinet.

7. Connect each power cable to the cabinet and into a *separate* AC power source. To connect to the cabinet, plug the AC power cable into the AC power cable assembly top right (See Figure 2.4).

NOTE _____

When routing the power cables through the cable opening at the top of the cabinet, be careful not to disconnect the CABINET FAULT light cable.



CAUTION _____

Be sure to connect each power cable to a *separate* AC power source . If they are plugged into the same source, a failure at the source will result in a system crash.

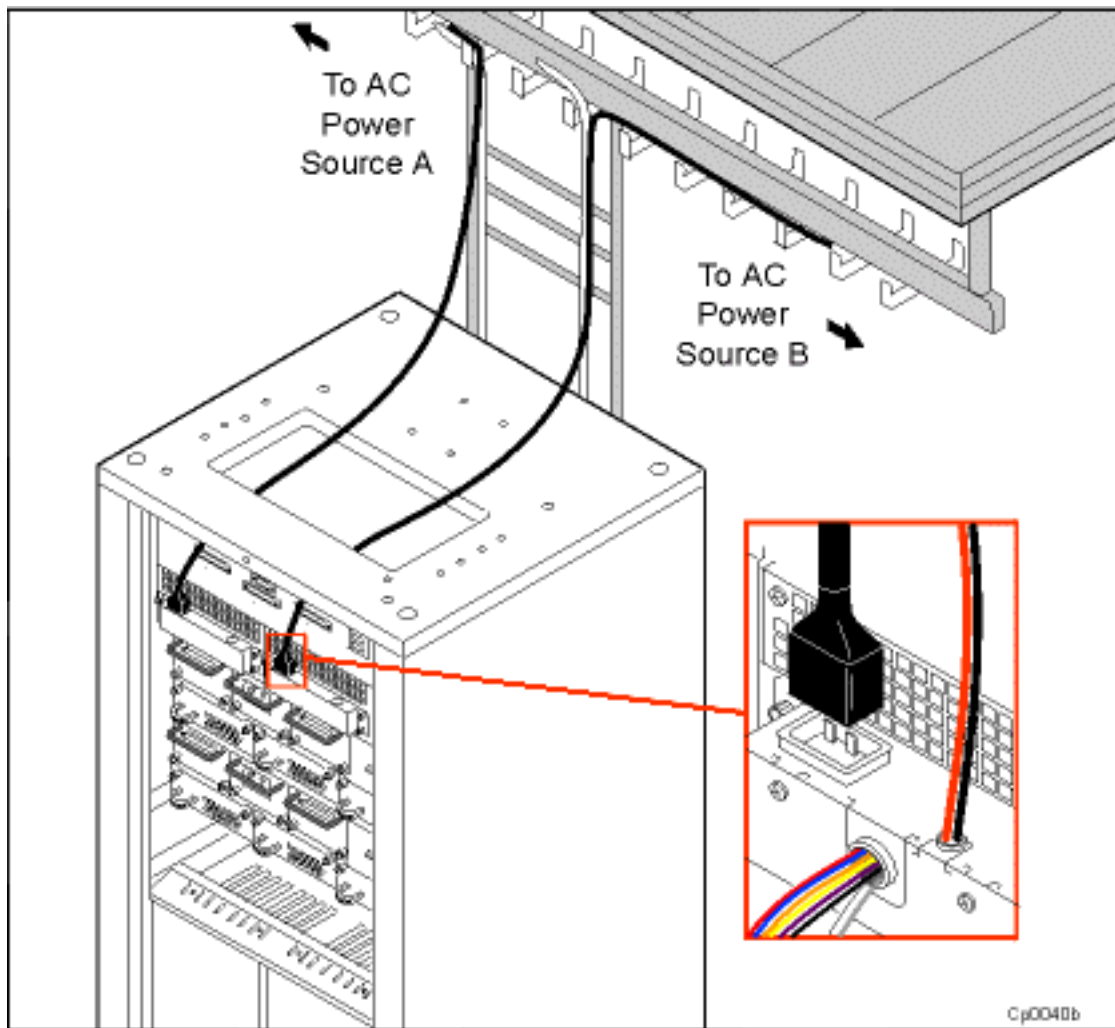
8. Using a digital voltmeter (DVM), measure the AC input voltage. Verify that the voltage is within the range of 200 to 264 AC.



CAUTION _____

If the input voltage is not within the specified range, do not proceed to the next step. Verify the AC input power source.

Figure 2.4. Connecting the Power Cables (Top Entry)



9. Since it is recommended that you limit the times the system is powered up and down, proceed to the system console instructions ([See Section 2.2 Installing the System Console](#) later in this chapter) before completing Step 10.
10. Turn on the cabinet MAIN power switches. The cabinet power supply lights are illuminated, indicating that the system is receiving power. If the LEDs do not illuminate, check the following:
 - incoming power sources
 - power cable connections to the power sources and cabinet

If the power cable or the power source is not the cause of the problem, refer to the *FTX Operating System: DNCP Series 400/400-CO (PA-8500) Operation and Maintenance Guide (RXXX)* for further system troubleshooting.

2.1a.2 Installing the Power Cables (Bottom Entry)

To route the power cables from the bottom of the system, follow the steps for top entry except:

- it is not necessary to open the cabinet top (Step 4)
- In Step 7, simply let the power cords drop downward in the cabinet rear and go through the bottom of the cabinet.

2.1b Installing the Cabinet For DNCP Series 400-CO (PA-8500)

To install the cabinet perform the following steps:

If routing the power cables from the top of the cabinet, perform the following steps ([See Section 2.1b.1 Installing the Power Cables \(Top Entry\)](#)).

If routing the power cables from the bottom of the cabinet, perform the following steps

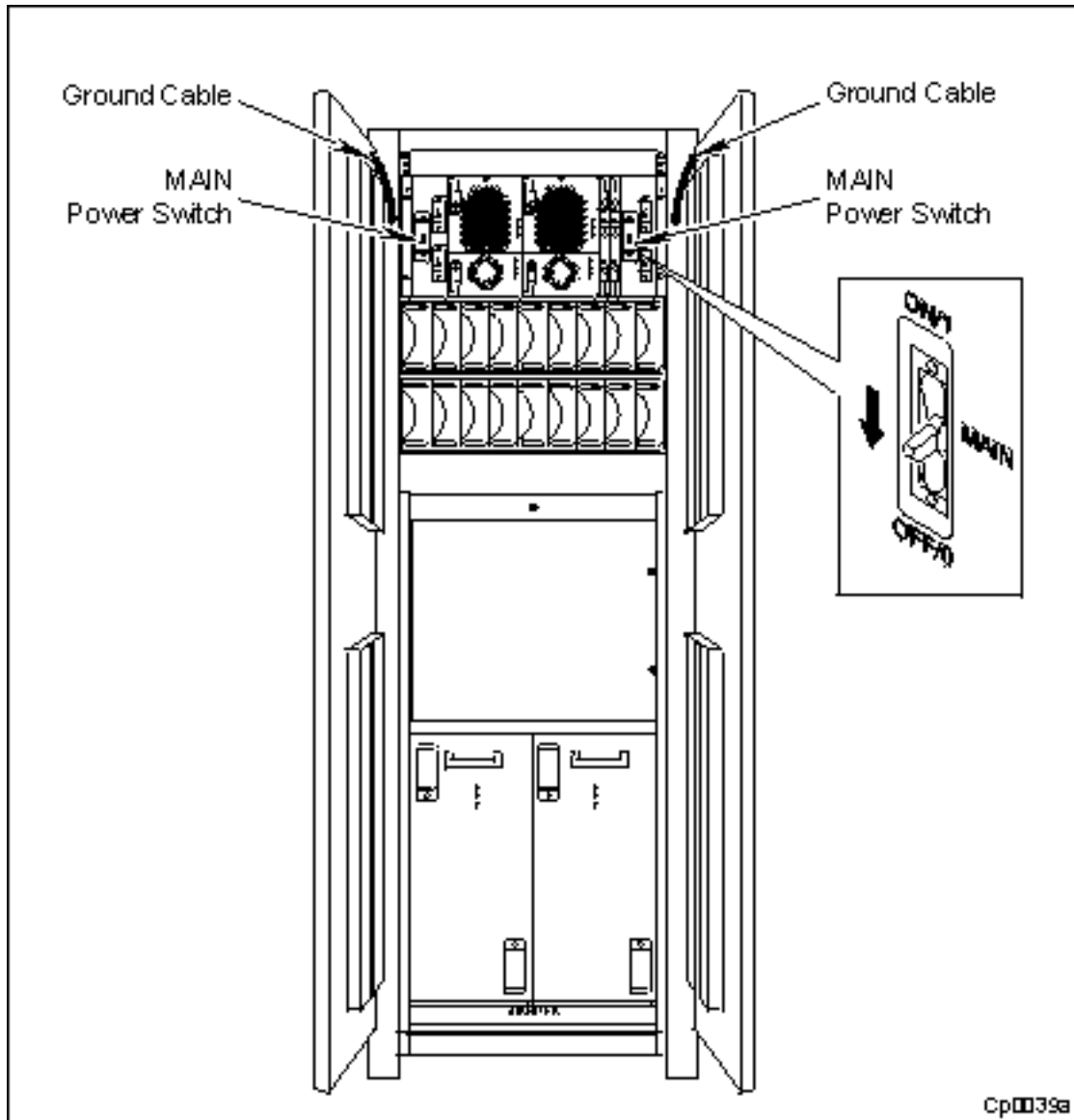
(See [Section 2.1b.2 Installing the Power Cables \(Bottom Entry\)](#)).

NOTE _____

Power cables are terminated with a two-hole universal lug. Depending on your site requirements, this termination may have to be customized.

1. Open the cabinet doors.
2. Verify that the four cabinet ground wires (two front, two rear) are connected from the cabinet frame to the doors.
3. Make sure that the two MAIN power switches on the front of the cabinet are in the **off (0)** position. (See [Figure 2.5](#)).

Figure 2.5. Cabinet Grounding Wires and MAIN Power Switches



4. Using the torque wrench, attach the ground cables that are shipped with the system to the back and top of the cabinet (See [Figure 2.6](#) and [Figure 2.7](#)), being careful not to apply more than 35 to 40 inch pounds of torque. For an illustration of a ground cable, see the callouts in [Figures 2.6](#) and [2.7](#).

NOTE _____

The ground cable may be attached to the double ground lugs found on either the left or right

side of the cabinet.

Figure 2.6. Attaching the Ground Cable (Top of Cabinet)

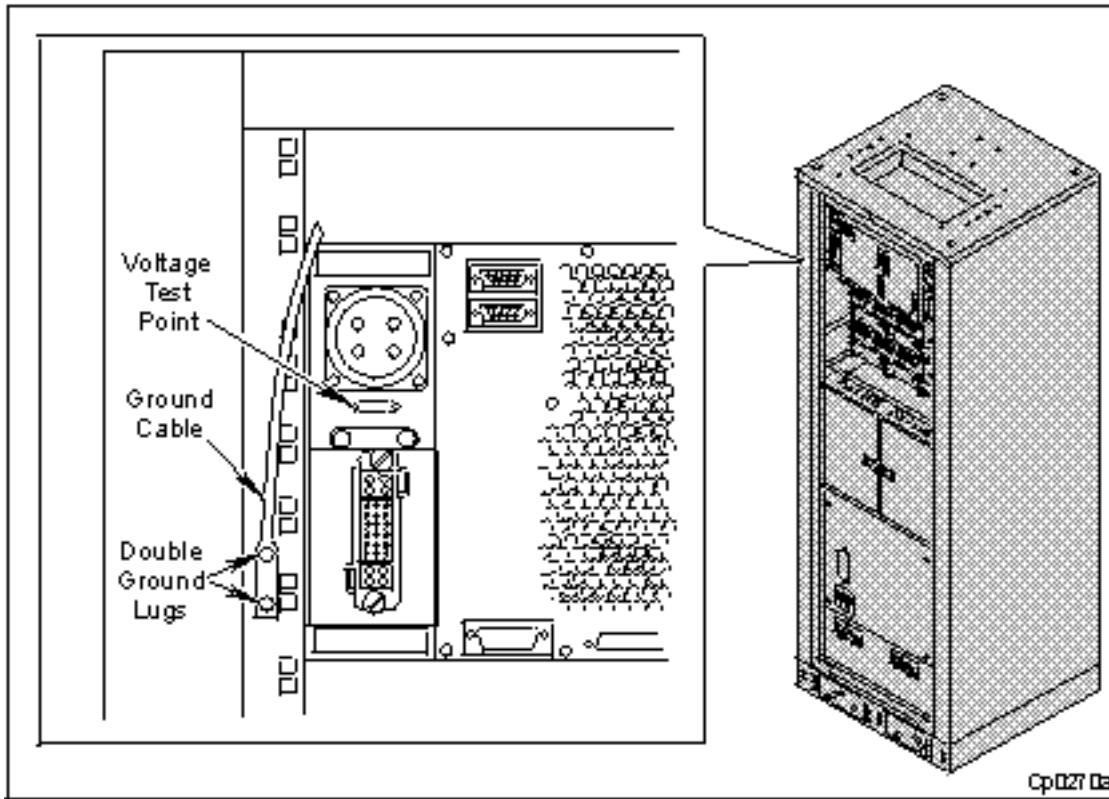
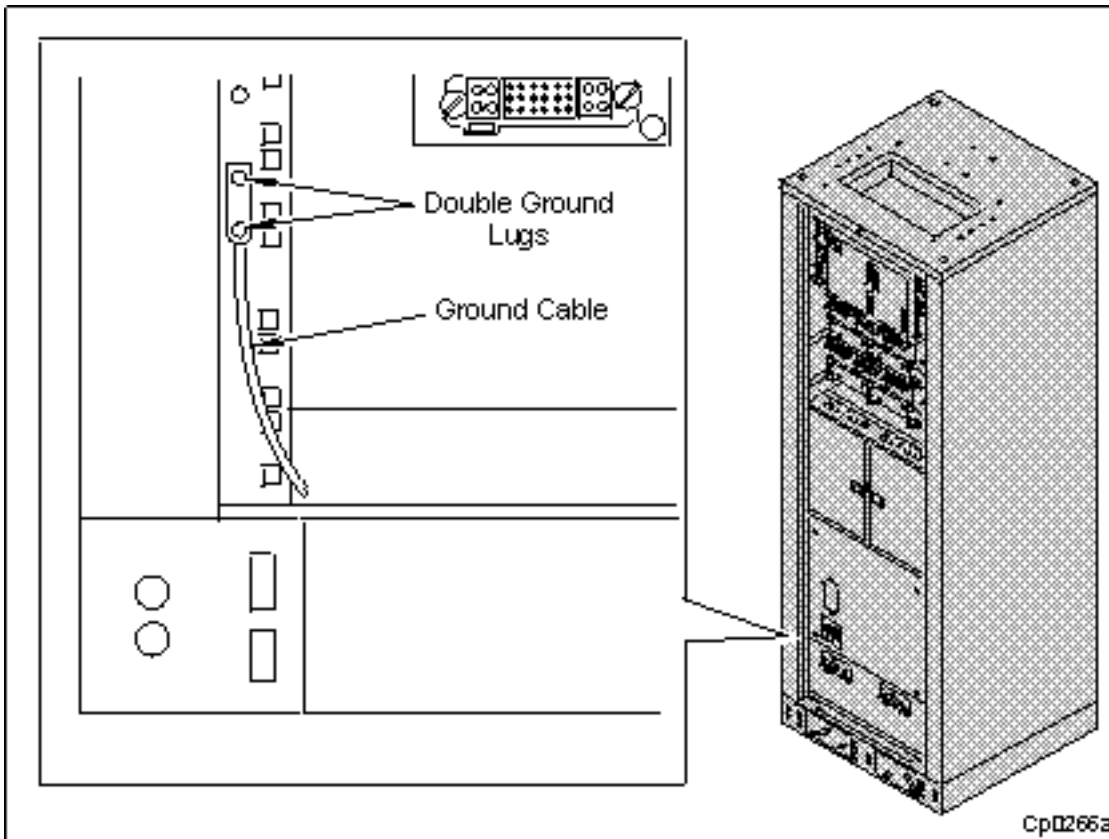


Figure 2.7. Attaching the Ground Cable (Bottom of Cabinet)

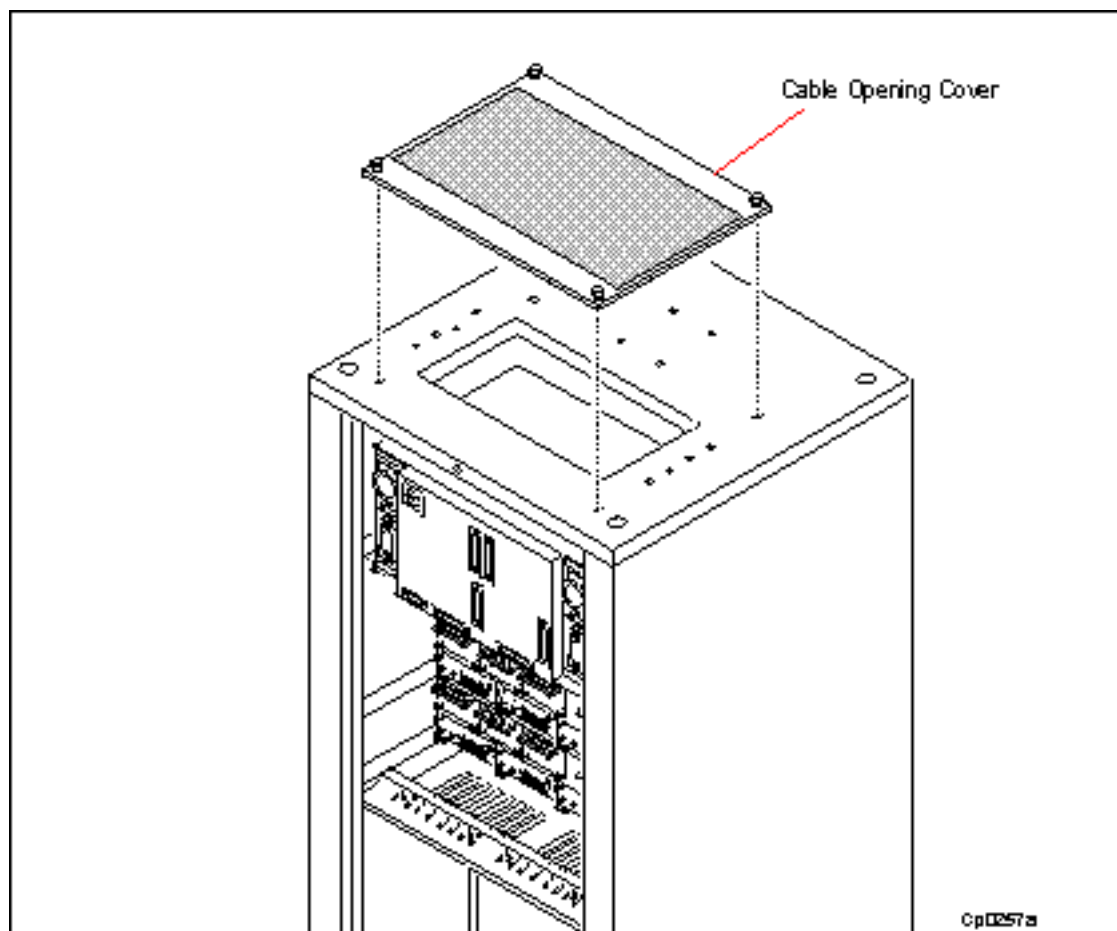


2.1b.1 Installing the Power Cables (Top Entry)

Perform the following steps to route the power cables from the top of the system.

1. Using a flat-blade screwdriver, remove the cable opening cover from the top of the cabinet (See Figure 2.8).

Figure 2.8. Removing the Cable Opening Cover



2. Unpack the two system power cables (AW-000955 and AW-000968) from one of the cartons shipped with the system. The part number for each power cable appears on the cable and on the plastic bag in which the cable is shipped.



DANGER

Before connecting a power cable, always shut off the MAIN system power switch on the same side of the cabinet.

3. Connect each color-coded power cable to the cabinet and into a *separate* DC power source (See Figure 2.9) . To connect the power cable to the cabinet, align the red mark on the cord with the red alignment guide at the top of the connector. Then, twist the cable clockwise until the red mark is aligned with the alignment guide on the right side of the connector.

NOTE

When routing the power cables through the cable opening at the top of the cabinet, be careful not to disconnect the CABINET FAULT light cable.

The power cables are usually color-coded (red and blue) to match the color-labeling of the power sources at your site.



CAUTION

Be sure to connect each power cable to a *separate DC power source*. If they are plugged into the same source, a failure at the source will result in a system crash.

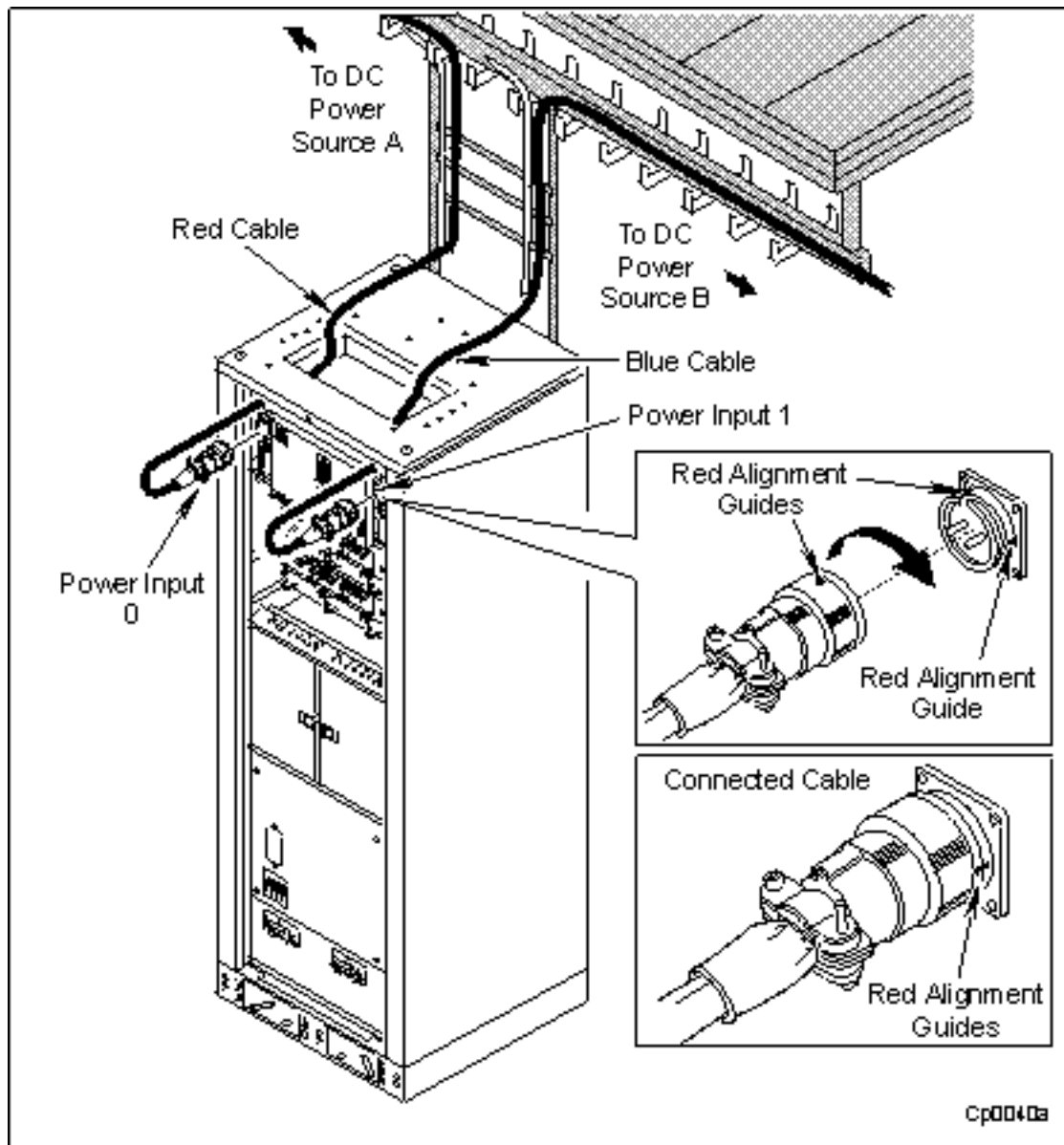
- Using a digital voltmeter (DVM), measure the DC input voltage by connecting the leads to the input voltage test points below the DC input connector. Connect the black lead to the 48V (black) test point; connect the red lead to the -48V (red) test point. Verify that the voltage is within the range of -40.5 VDC to -60.0 VDC.



CAUTION

If the input voltage is not within the specified range, do not proceed to the next step. Verify the DC input power source.

Figure 2.9. Connecting the Power Cables (Top Entry)

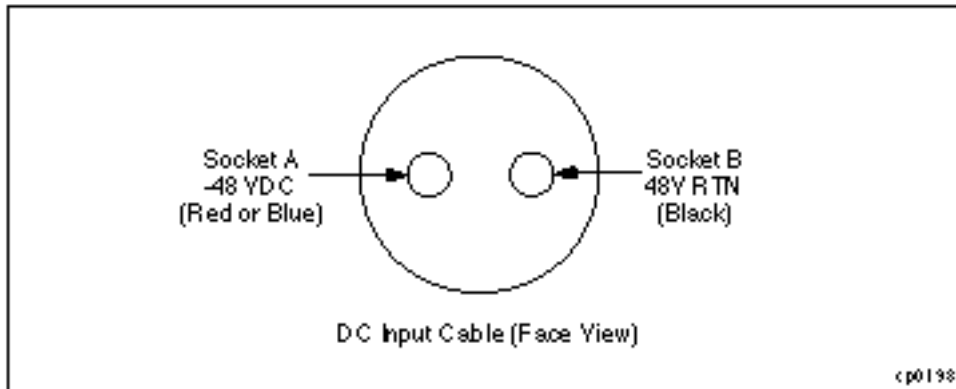


- Since it is recommended that you limit the times the system is powered up and down, proceed to the system console instructions ([See Section 2.2 Installing the System Console](#) later in this chapter) before completing Step 6.
- Turn on the cabinet MAIN power switches. The cabinet power supply lights illuminate, indicating that the system

is receiving power. If the lights do not illuminate, check the following:

- Incoming power sources
- Power cable connections to the power sources and cabinet
- The polarity of the power cables. *See Figure 2.10* for power-cable polarity information; for additional electrical wiring information, see Appendix A of the *DNCP Series 400/400-CO (PA-8500): Site Planning Guide* (R454).

Figure 2.10. DC Connector Cable/Cabinet End



If the power cable or the power source is not the cause of the problem, refer to the *FTX Operating System: DNCP Series 400/400-CO (PA-8500) Operation and Maintenance Guide* (RXXX) for further system troubleshooting.

2.1b.2 Installing the Power Cables (Bottom Entry)

Perform the following steps to route the power cables from the bottom of the system.

1. Unpack the two power cables (AW-000955 and AW-000968) from one of the cartons shipped with the system. The part number for each power cable appears on the cable and on the plastic bag in which the cable is shipped.



DANGER

**Before connecting a power cable, always shut off both MAIN system power switches.
Route the power cables up through the cable guides provided on the chassis frame.**

2. Connect each color-coded power cable to the cabinet and into a *separate* DC power source (*See Figure 2.11*). To connect the power cable to the cabinet, align the red mark on the cable with the red alignment guide at the top of the connector. Then, twist the cable clockwise until the red mark is aligned with the alignment guide on the right side of the connector.

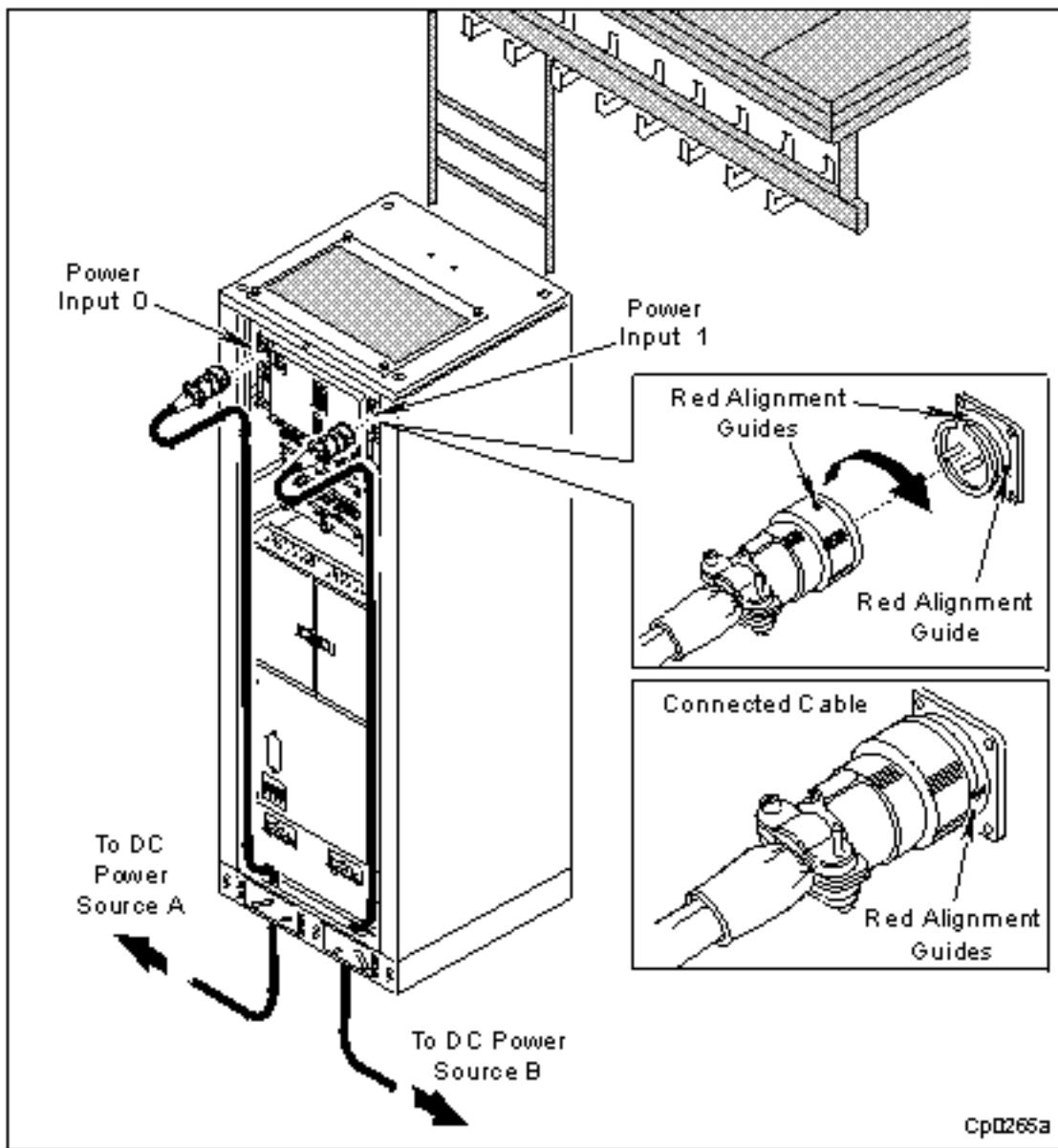
The power cables are color-coded (red and blue) to match the color-labeling of the power sources at your site.



CAUTION

Be sure to connect each power cable to a *separate* DC power source. If they are plugged into the same source, a failure at the source will result in a system crash.

Figure 2.11. Connecting the Power Cables (Bottom Entry)



Cp0265a

- Using a digital voltmeter (DVM), measure the DC input voltage by connecting the leads to the input voltage test points below the DC input connector. Connect the black lead to the 48V (black) test point; connect the red lead to the -48V (red) test point. Verify that the voltage is within the range of -40.5 VDC to -60.0 VDC.



CAUTION

If the input voltage is not within the specified range, do not proceed to the next step. Verify the DC power input source.

- Since it is recommended that you limit the times the system is powered up and down, proceed to the system console instructions ([See Section 2.2 Installing the System Console](#) later in this chapter) before completing Step 5.
- Turn on the cabinet MAIN power switches. The cabinet power supply lights are illuminated, indicating that the system is receiving power. If the lights do not illuminate, check the following:
 - Incoming power sources
 - Power cable connections to the power sources and cabinet
 - The polarity of the power cables. *See Figure 2.10* for power-cable polarity information; for additional electrical wiring information, see *Appendix A* of the *DNCP Series 400/400-CO (PA-8500): Site Planning Guide (R454)*.
 - If the power cord or the power source is not the cause of the problem, refer to the *FTX Operating System: DNCP Series 400/400-CO (PA-8500) Operation and Maintenance Guide (RXXX)* for further system troubleshooting,

2.2 Installing the System Console

If you are using a V105 terminal as the system console, connect it to the cabinet as described in the following procedure. If you are using another terminal as the system console, be sure it is configured with the following parameters.

- VT300/7 terminal emulation
- 9600 EIA and auxiliary (Aux) baud rate
- odd parity
- one stop bit

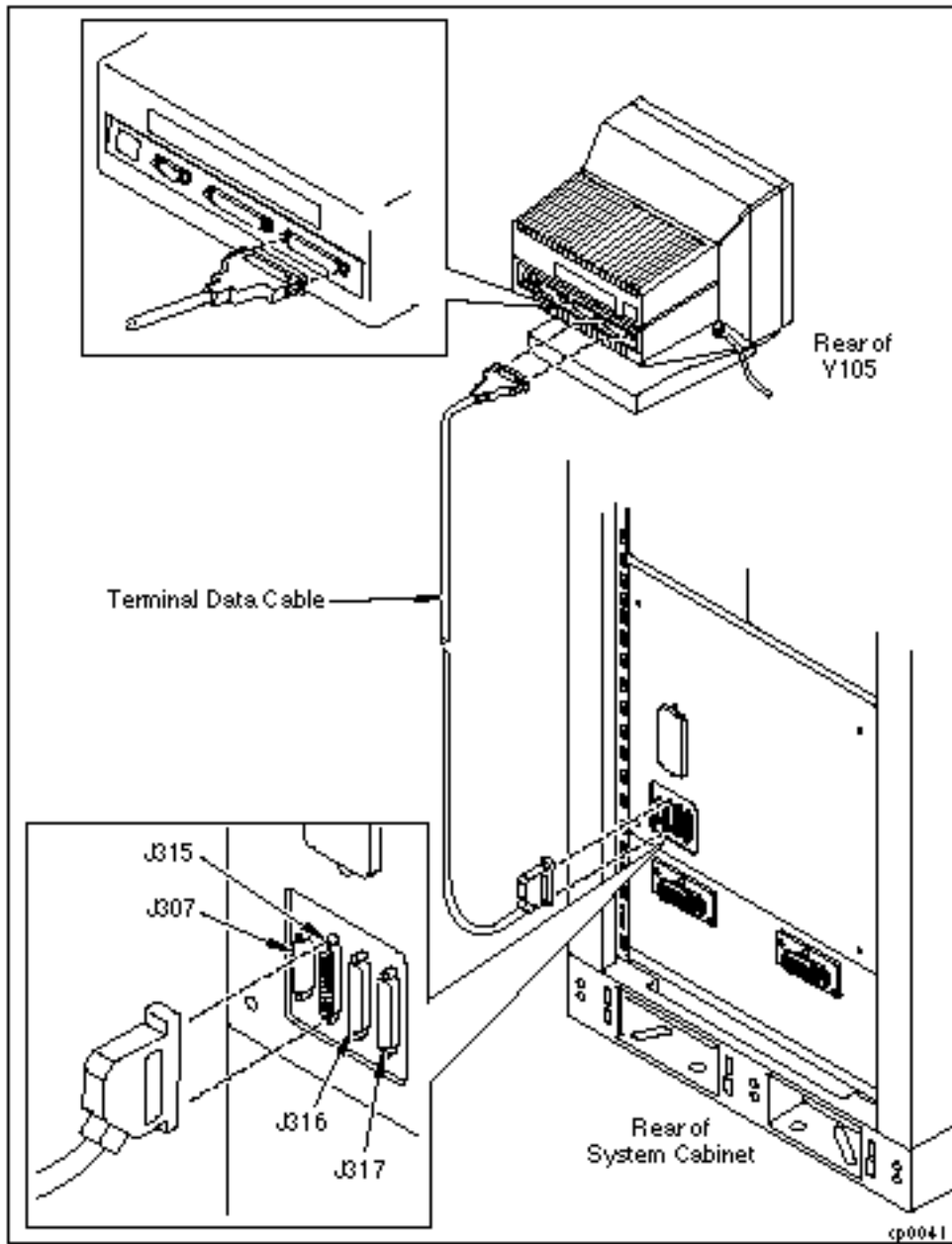
To install a V105, follow these steps.

1. Locate the terminal data cable (part number AW-B15201-25) in one of the cartons shipping with the system.
2. Connect the terminal data cable to the V105 terminal's SES1-EIA port and to the cabinet's Console port (J315), (See *Figure 2.12*). After the cable is connected, tighten its connector screws with a flat-blade screwdriver.

NOTE _____

An additional terminal can be connected to the Auxiliary Console port (J316). For additional information, see *FTX Operating System: Peripherals Configuration* (RXXX).

Figure 2.12. Connecting the V105 Data Cable

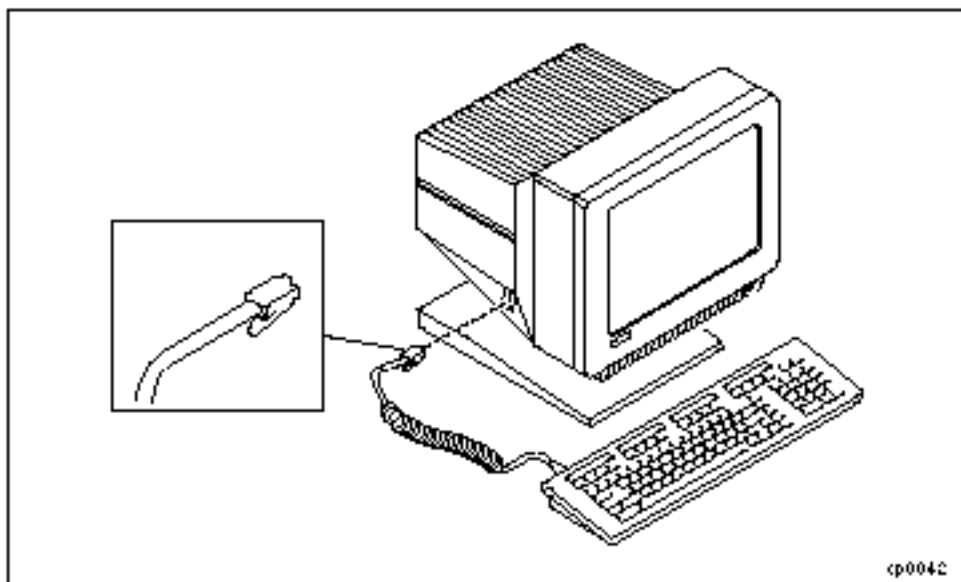


3. Connect the keyboard to the terminal (See Figure 2.13) .

NOTE _____

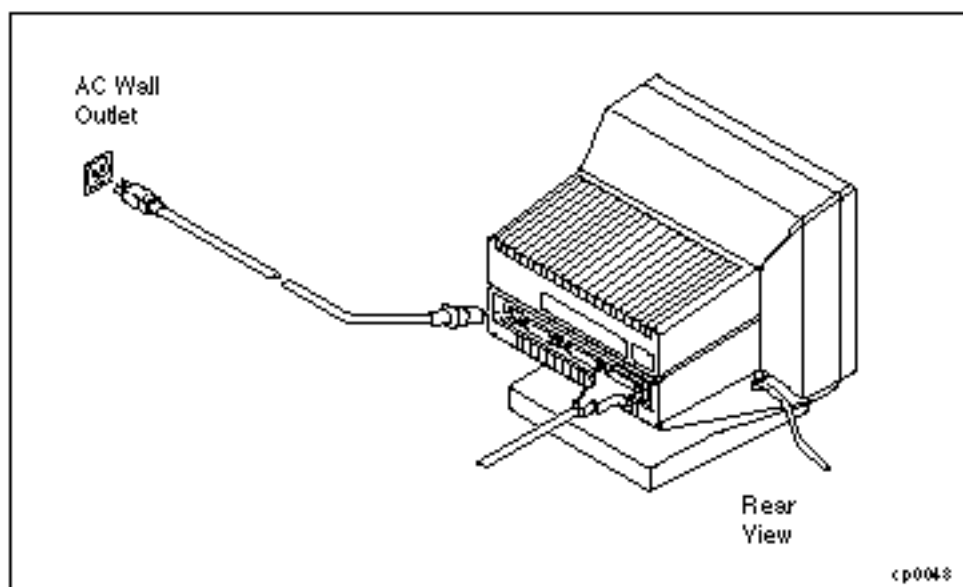
Keyboard AA-V10501 is an ANSI keyboard and AA-V10502 is a PC keyboard.

Figure 2.13. Connecting the Keyboard to the V105



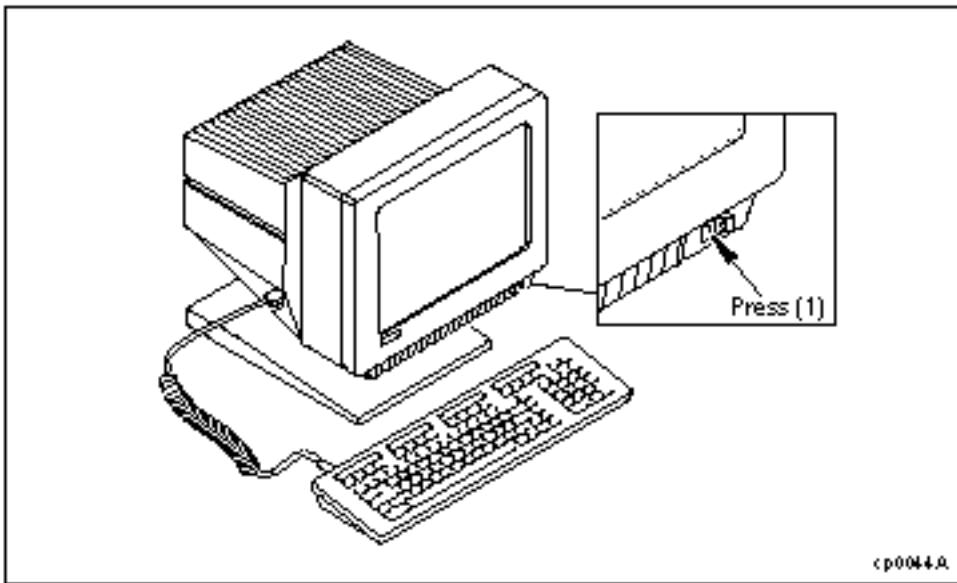
4. Connect the female end of the V105 power cord to the V105 power connector and the male end to an AC wall outlet (See Figure 2.14).

Figure 2.14. Connecting the V105 Power Cord



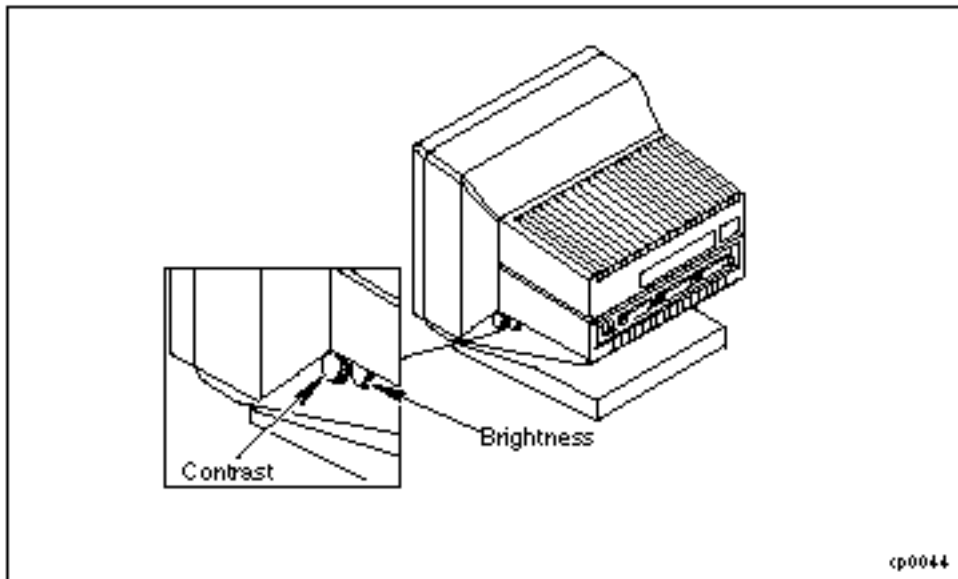
5. Power up the V105 by pressing the power switch on the front of the terminal to the ON position (See Figure 2.15) . When the V105 passes its self-test, its screen displays *PASS* . If this does not occur, turn off the V105 power switch, check its power cord connection, and then power it up again. If it still does not pass the self-test, refer to the *FTX Operating System: DNCP Series 400/400-CO (PA-8500) Operation and Maintenance Guide (RXXX)* for V105 troubleshooting information.

Figure 2.15. V105 Power Switch



6. If needed, adjust the screen contrast and brightness using the dials (See Figure 2.16).

Figure 2.16. V105 Operating Dials



7. To access the V105's configuration screens, press the `<SETUP-F3>` key (ANSI keyboard) or hold down the `<CTRL>` key while pressing the `<SCROLL-LOCK>` key (PC keyboard).
8. When the V105 displays the setup screen keys, press the `<F1 Quick>` key. The V105 now displays the *Quick Setup* screen, (See Figure 2.17).

Figure 2.17. V105 Quick Setup Screen

F1 Quick	F2 Genl	F3 Displ	F4 Kybd	F5 Keys	F6 Ports	F7 Host	F8 Prnt	F9 Emul	F10 Tab	F11 AnsBk	F12 Prog	F13 Exec
Emulation = YT300/7			EIA Baud Rate = 9600			EIA Data.Format = 7/1/0						
Enhanced = On			Aux.Baud Rate = 9600			Aux.Data.Format = 7/1/0						
Comm Mode = Full Duplex			Language = U.S.			Host Printer = EIA/Para.						
Choices												
ADD S YP	Wyse 60	Wyse 50+	PC Term	TY1925	YT300/7	YT300/8						
YT200/7	YT200/8	YT100										
Select												
↑ → ↓ ← : Parameter			Enter/S-Enter : Next/Prev Choice			Exit : F14						

9. Set the values (See Figure 2.17) . To change the values, press the appropriate "arrow key" (up, down, left right) to select a field. Then, press the space bar to select the correct value.
10. Save these changes and exit the *Quick Setup* screen by pressing the <F14> key.
11. The V105 displays the prompt, *Save all? (Y/N)* . Press the <y> key to save the values selected or the <n> key to exit without saving them.

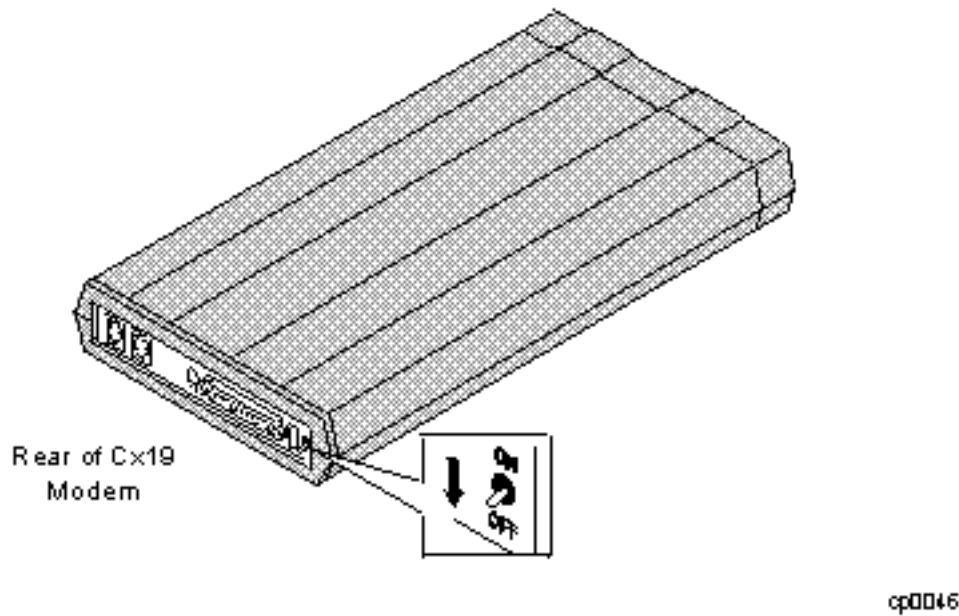
Customize the V105 in other ways by again pressing the <SETUP-F3> or <CTRL-SCROLL-LOCK> key and then selecting the appropriate screen by pressing the associated function key. Set and save the configuration values as described in the preceding steps.

2.3 Installing a C419/C619 Modem for RSN Use

Install a C419/C619 modem for RSN use by performing the following steps.

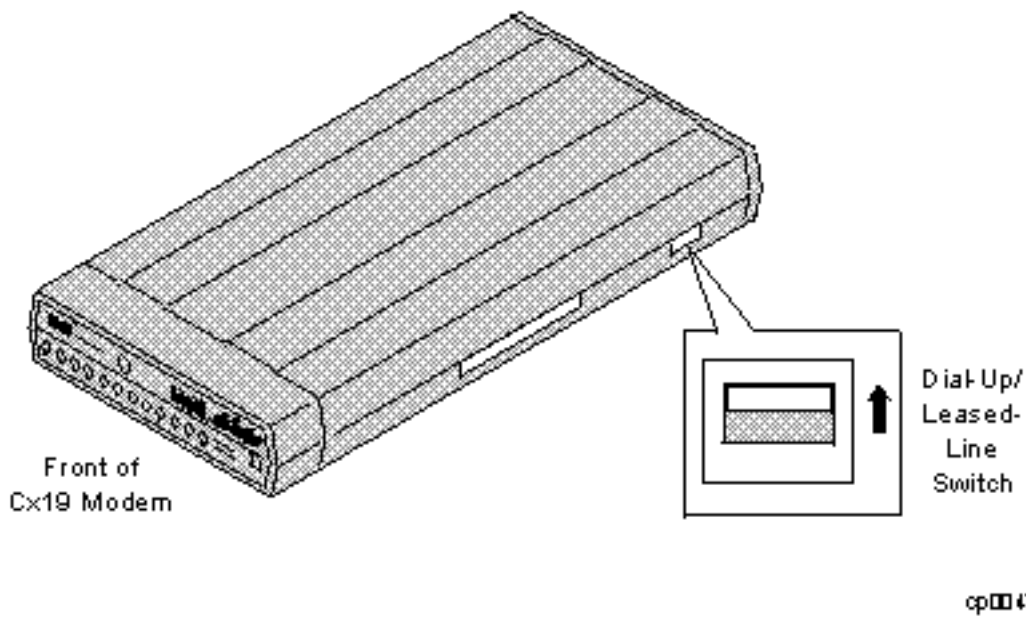
1. Verify that the modem power switch is in the OFF (down) position, (See Figure 2.18).

Figure 2.18. Modem Power Switch



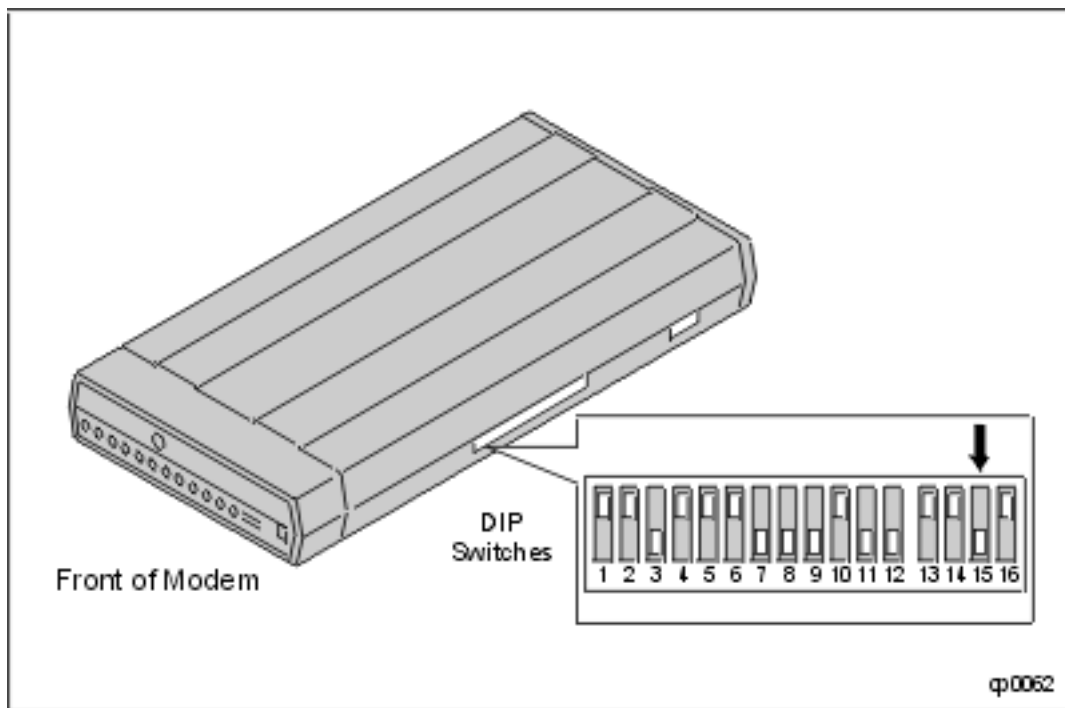
2. Some CX19 modems have a dial-up/leased-line switch on the side. If the modem being used does, verify that the switch is in the **up** position (See *Figure 2.19*). If the modem does not have this switch, continue with step 3.

Figure 2.19. Modem Dial-Up/Leased-Line Switch



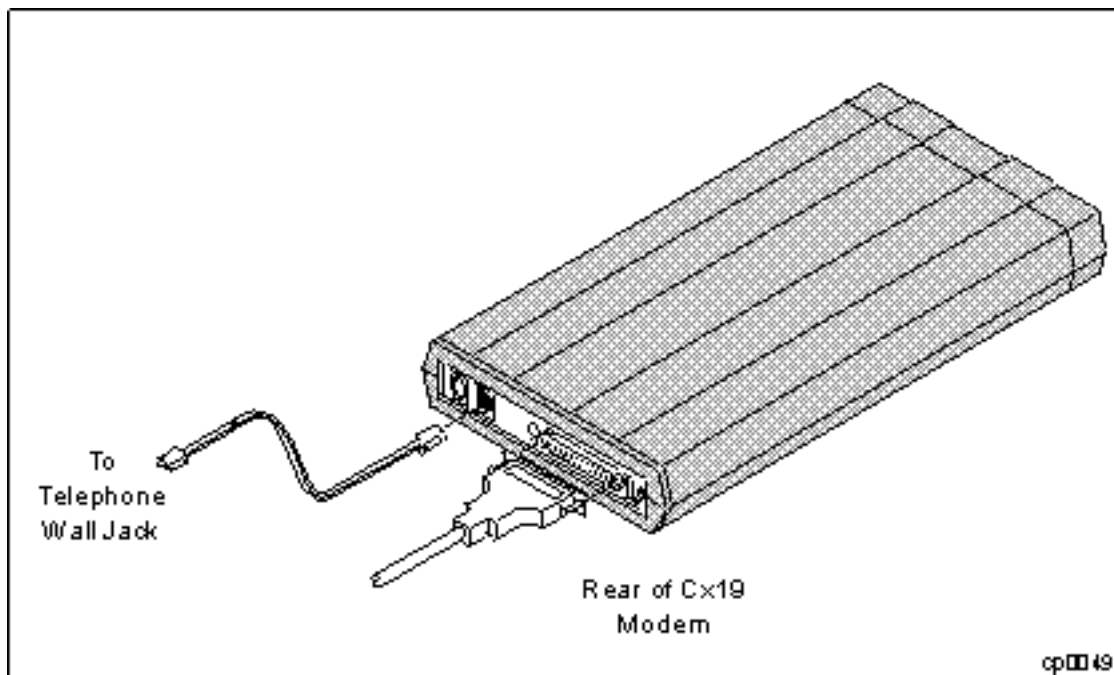
3. Locate the 16 DIP switches and verify that they are set **CORRECTLY** (See *Figure 2.20*). If necessary, use the end of a paper clip, or similar pointed instrument, to change the switch settings.

Figure 2.20. Modem DIP Switch Settings



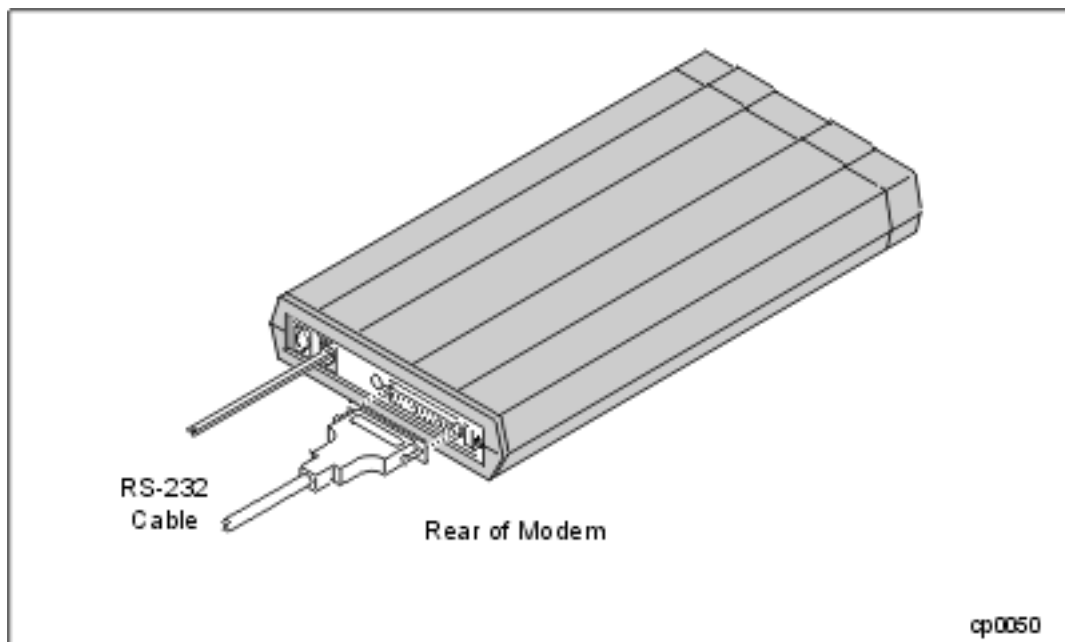
4. Connect one end of the telephone cable to the modem LINE connector and the other end to the telephone wall jack, (See Figure 2.21).

Figure 2.21. Connecting the Modem Telephone Cable



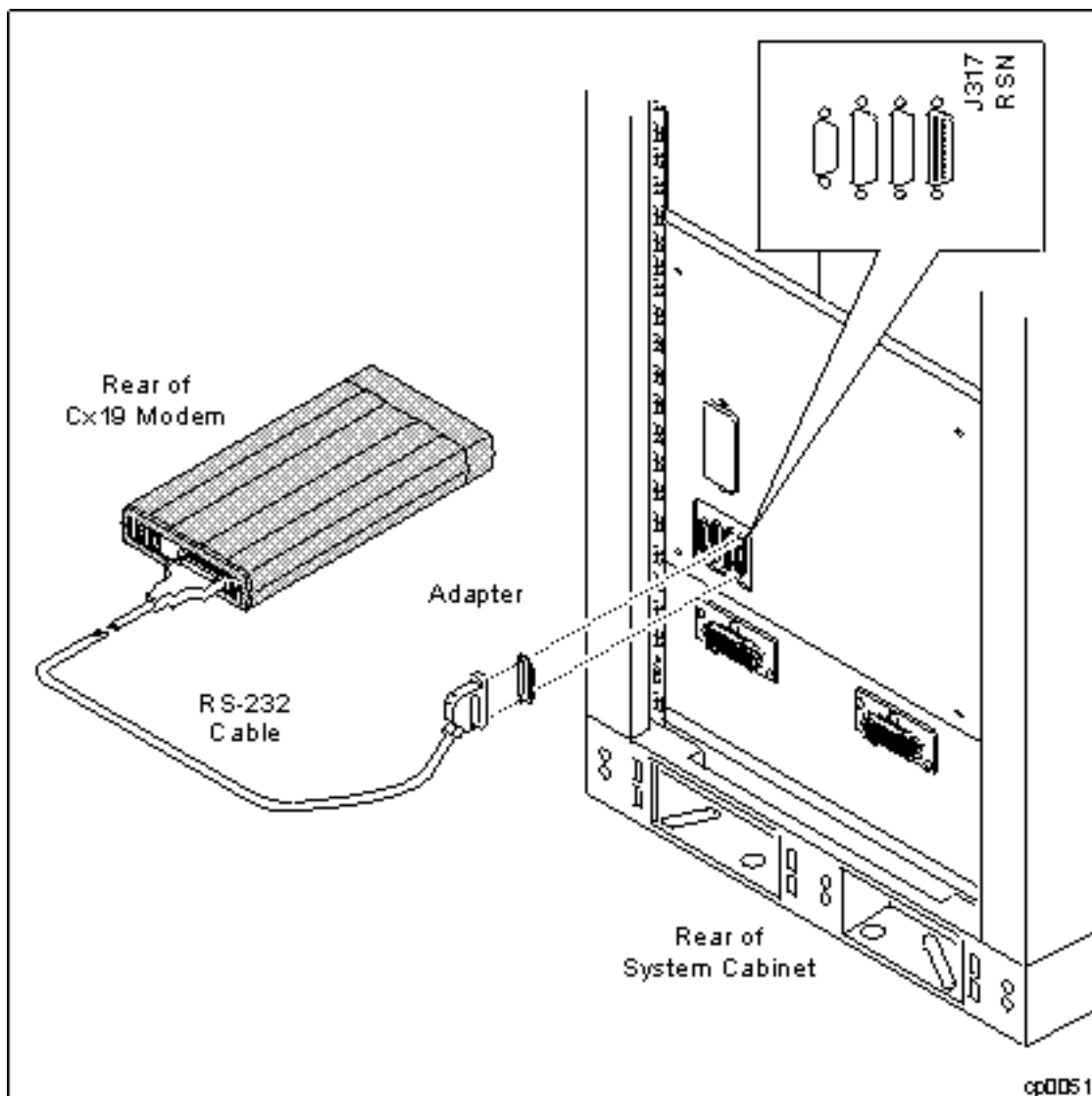
5. Connect the RS-232 cable (AW-B10102-25) to the modem EIA RS-232-C connector (See Figure 2.22). Tighten the connector screws with a flat-blade screwdriver.

Figure 2.22. Connecting the RS-232 Cable to the Modem



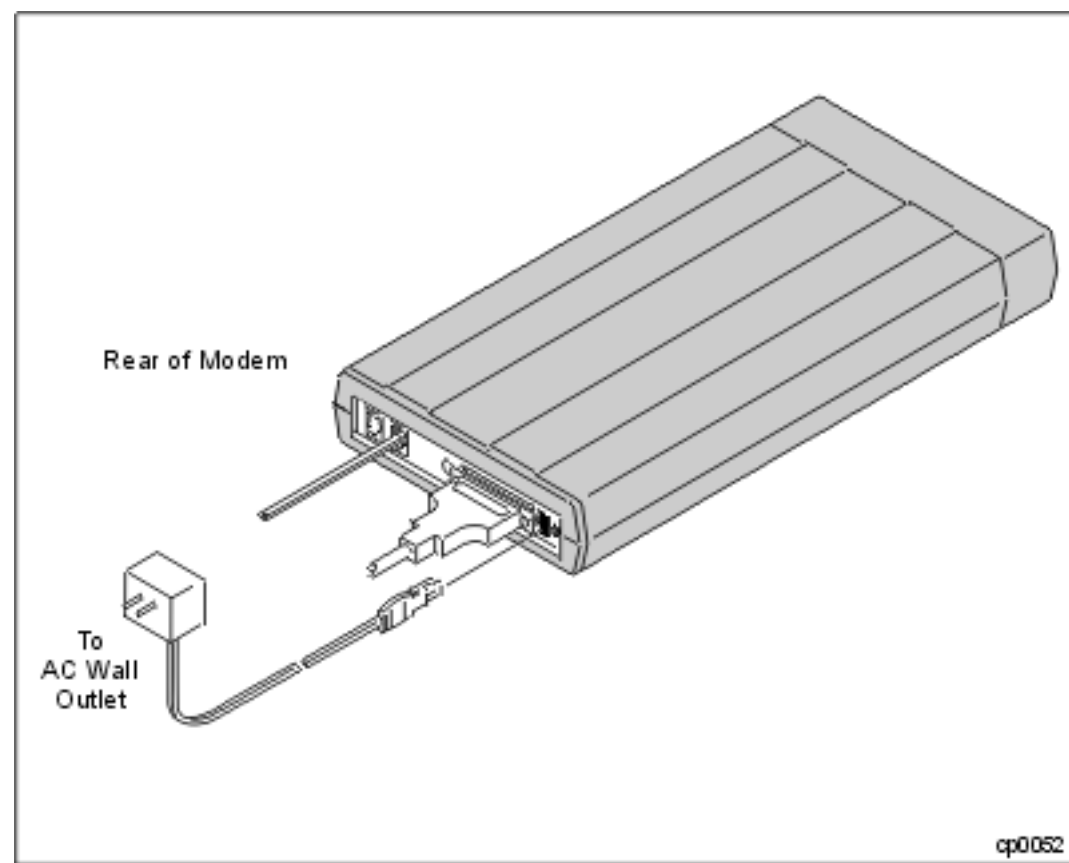
6. Attach the adapter (part number JD-025PLG-07) to the RSN port (J317) on the cabinet, then connect the RS-232 cable to the adapter (See Figure 2.23).

Figure 2.23. Connecting the RS-232 Cable to the System



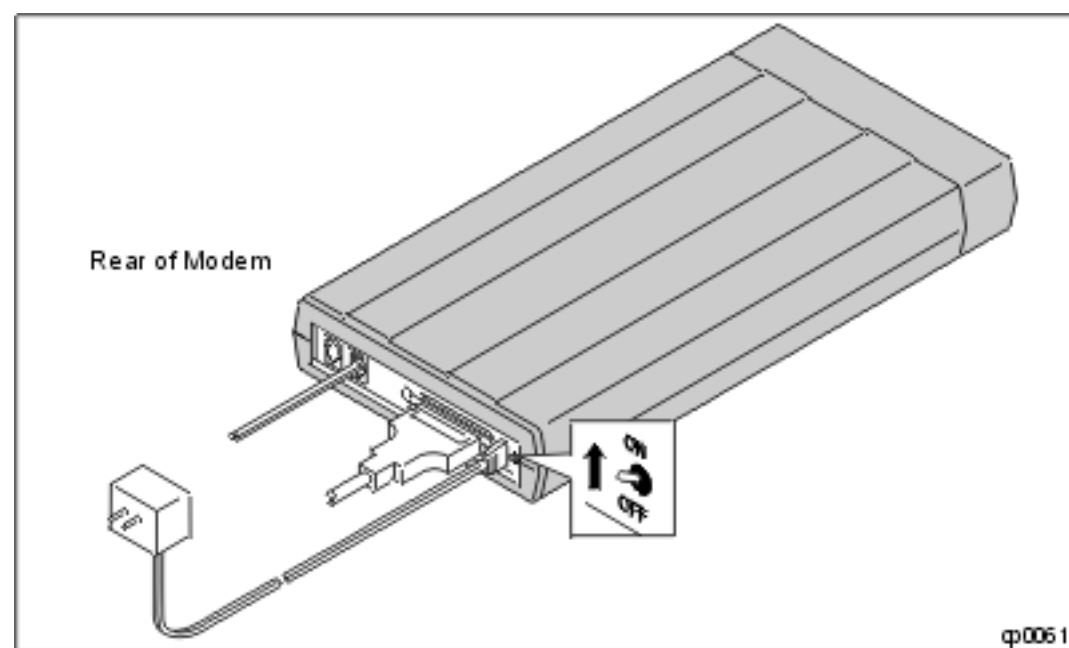
7. Connect the power cord to the modem POWER connector and to an AC wall outlet (See Figure 2.24) .

Figure 2.24. Connecting the Modem Power Cord



8. Turn the modem power switch to ON (See Figure 2.25) .

Figure 2.25. Modem Power Switch



9. After it is powered on, the modem performs a self-test. During the modem self-test, the five speed indicators on the front of the modem flash in sequence for approximately four seconds. Then the speed indicator light remains steadily lit (the speed for C419 is 14.4, the speed for C619 is 33.6). If this does not happen, check that the AC

outlet is live. If the AC outlet is live and the modem still does not work, the modem may be faulty.

10. Verify the operation of the telephone line by plugging a telephone into the modem's PHONE port. Pick up the telephone receiver and dial a known working number. If unable to get a connection, this phone line has not been activated. Contact the telecommunications contractor or phone company to remedy the problem.

2.4 Installing PCI Cards and Cables

The PCI cards ordered with the system are shipped installed in the PCI card cages. To install additional cards and to connect cables to the PCI cards, refer to the PCI-card installation guides located in one of the cartons shipped with the system.

Chapter 3

Installing Tape Drives

After the core system components are installed, tape drives can be installed. For each U501 SCSI PCI card in the system, the following can be configured:

- one *stand-alone* T800-Series tape or D85X CD-ROM drive (or)
- two *daisy-chained* T800-Series tape or D85X CD-ROM drives

This chapter explains how to install tape drives. It contains the following sections:

- [Preparing to Install Tape Drives on a Running System](#)
- [Installing a Stand-Alone T800-Series Tape Drive](#)
- [Installing Daisy-Chained T800-Series Tape Drives](#)
- [Completing the Installation of Tape Drive on a Running System](#)

For more information about tape drives, refer to the *DNCP Series 400/400-CO (PA-8500): Tape Drive Operation Guide (R716)*.

For CD-ROM installation See *DNCP Series 400/400-CO (PA-8500) CD-ROM Drive: Installation and Operation Guide (R720)*

3.1. Preparing to Install Tape Drives on a Running System

Perform the following steps to suspend the SCSI bus to which your tape drive will be connected.

1. To find the single-ended SCSI PCI-card external port to which you want to attach the tape drive, issue the **vsbconf** command. This command lists all configured virtual SCSI buses (VSBs) and their corresponding single-ended SCSI PCI cards.

```
vsbconf -L
```

VSBs for tape drives are always 2 and 3. The VSB number is the same as PCI card cage number housing the U501 SCSI card to which the tape drive is attached.

In the following example, the SCSI cards are in slot 7 of card cages 2 (2070) and 3 (3070).

```
vsbconf -L
```

Virtual SCSI Buses:

Ctrlr 1	Tray 1	Ctrlr 2	Tray 2	Rt	MH	Switch
Drain Mst						
0 2 0 7 1	2 0 7 1	3 0 7 1	3 0 7 1	Y	N	0 1
1 2 0 7 2	2 0 7 2	3 0 7 2	3 0 7 2	Y	N	0 1
2 20 7 0	2 0 7 0			Y	Y	0 1
3 30 7 0	3 0 7 0			Y	Y	0 1

SCSI Controllers:

Controller	Tray	Id	Trm	TrmPwr	Description
------------	------	----	-----	--------	-------------

2 0 7 1	2 0 7 1	7	N	N	DPT SCSI Controller
3 0 7 1	3 0 7 1	7	N	N	DPT SCSI Controller
2 0 7 2	2 0 7 2	7	N	N	DPT SCSI Controller
3 0 7 2	3 0 7 2	7	N	N	DPT SCSI Controller
2 0 7 0	2 0 7 0	7	Y	Y	DPT SCSI Controller
3 0 7 0	3 0 7 0	7	Y	Y	DPT SCSI Controller

For more information about the **vsbconf** command, see the *FTX System Administrator's Guide: General Services (R455X)*.

2. Issue the `/sbin/hwmain stop` command to suspend operation on the target bus.

NOTE

If any tape drives are attached to this virtual SCSI bus, this command suspends access to these tape drives. In addition, if these tape drives are being used for read or write operations, the **hwmain stop** command terminates these operations even if they are not complete.

```
/sbin/hwmain stop vsb n
```

In the preceding example, `n` is the identifier for the virtual SCSI bus selected in step 1. For example, **hwmain stop vsb 3** suspends operation on virtual SCSI bus 3.

3. Issue the `/sbin/hwmain ls` command to verify that the state is now `susp` (suspended).

```
/sbin/hwmain ls vsb n
```

For example:

```
/sbin/hwmain ls vsb 2
```

Modelx	Description	State	Code	Flg	Serial	BdRv	PcRv	Slotloc
-	Virtual SCSI Bus 2	susp	-	---	-	-	-	vsb 2

4. Install the tape drive by following the steps in the following sections. After installing the tape drive, refer to the section, "Completing the Installation of Tape Drives on a Running System," to restart the SCSI bus.

3.2 Installing a Stand-Alone T800-Series Tape Drive

To install a stand-alone T800-Series tape drive, perform the following steps.

NOTE

This procedure assumes that the system power is off or that the SCSI bus to which the tape drives will be attached has been suspended.

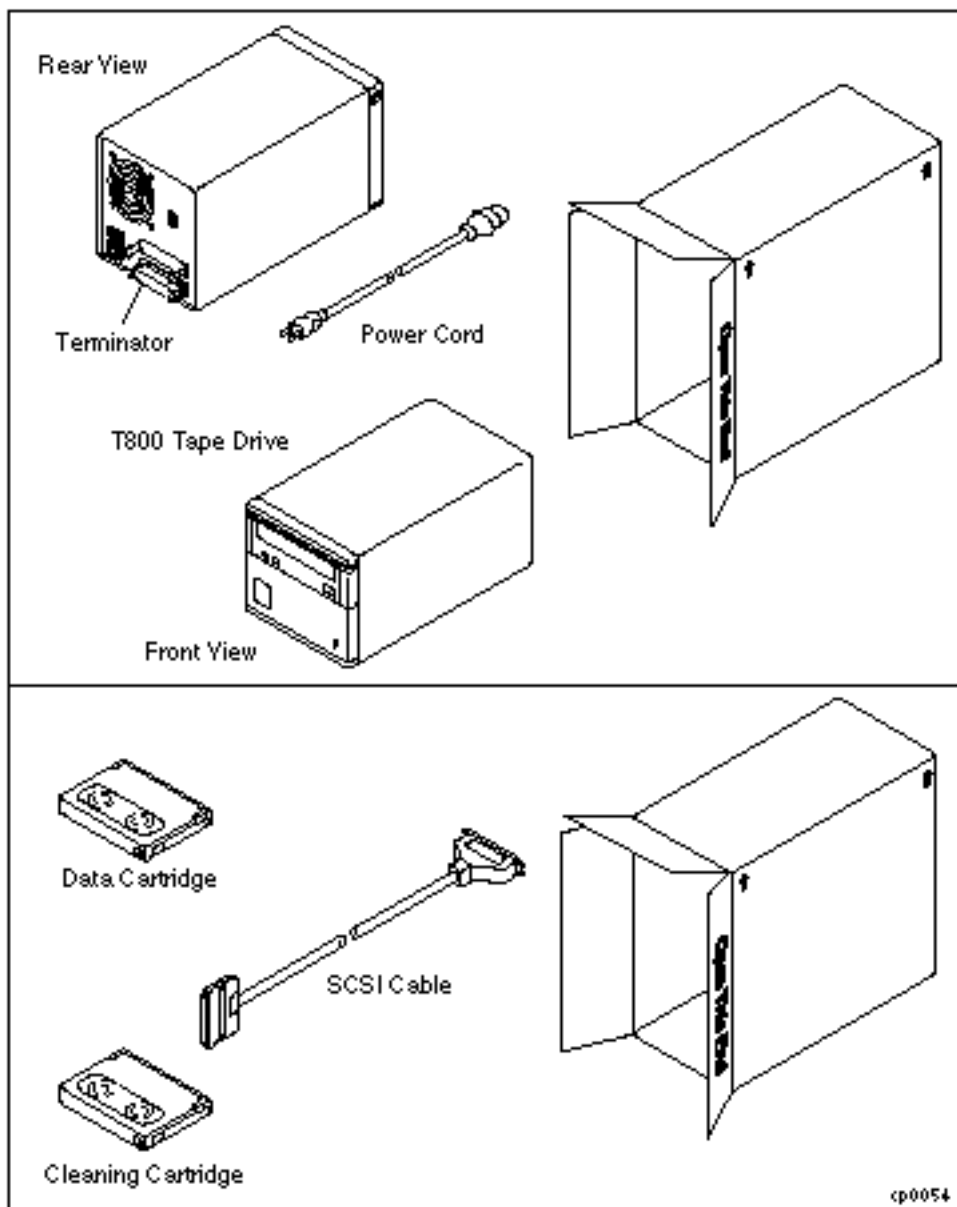
1. Verify that the shipping cartons contain all the items included with Stand-Alone T800-Series Tape Drives, See Items Included with Stand-Alone T800-Series Tape Drives.

Items Included with Stand-Alone T800-Series Tape Drives

Part Number	Description
AA-T80500 AA-T80600	T800-Series Tape Drive
AW-B12800- XX	Power Cord
AW-B21000-12	SCSI Cable
JC-005TRM	SCSI Terminator
AX-T60007	Data Cartridge (T805 and T806)
AX-T60006	Autoloader magazine (T806)
AX-T60002	Cleaning Cartridge (T805 and T806)

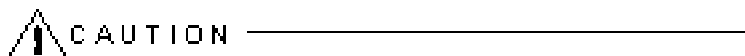
Parts included with the Stand-Alone T800-Series Tape Drive. (See Figure 3.1)

Figure 3.1. T800-Series Parts: Stand-Alone Tape Drive



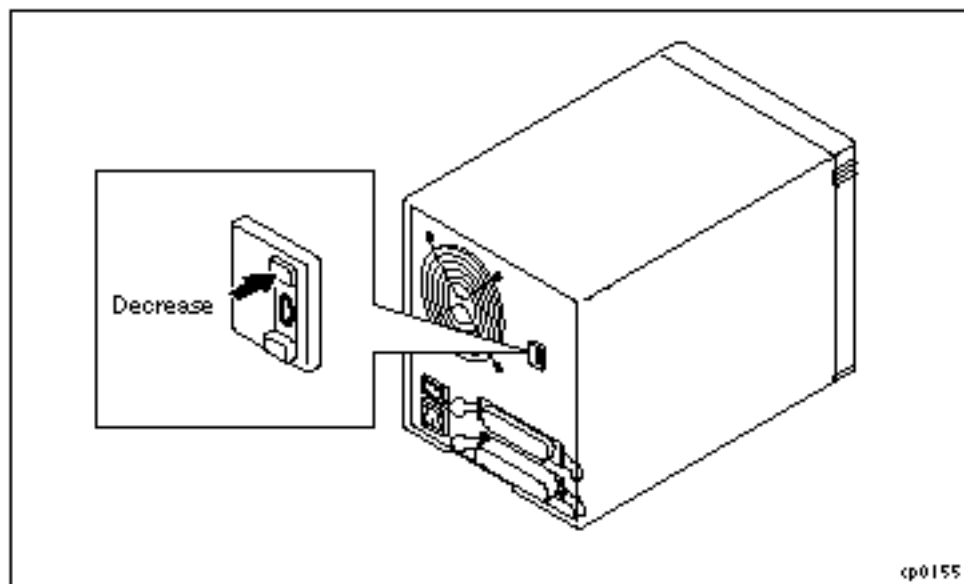
- Place the tape drive on a table or rack near the rear of the system cabinet.

- Verify that the SCSI identification display on the tape drive is set to **0**, *See Figure 3.2*. If it is not, use a paper clip (or similar nonmarking, pointed instrument) to press the buttons to increase or decrease the number. Press the **upper** button to **decrease** the number and the **lower** button to **increase** it.



Do **not** press the **upper** button after the number **0** is displayed, or the **lower** button after **7** is displayed. Attempting to move beyond these parameters will break the buttons.

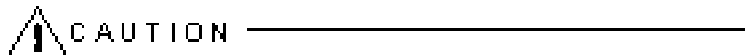
Figure 3.2. SCSI Identification Display: Stand-Alone T800-Series



NOTE _____

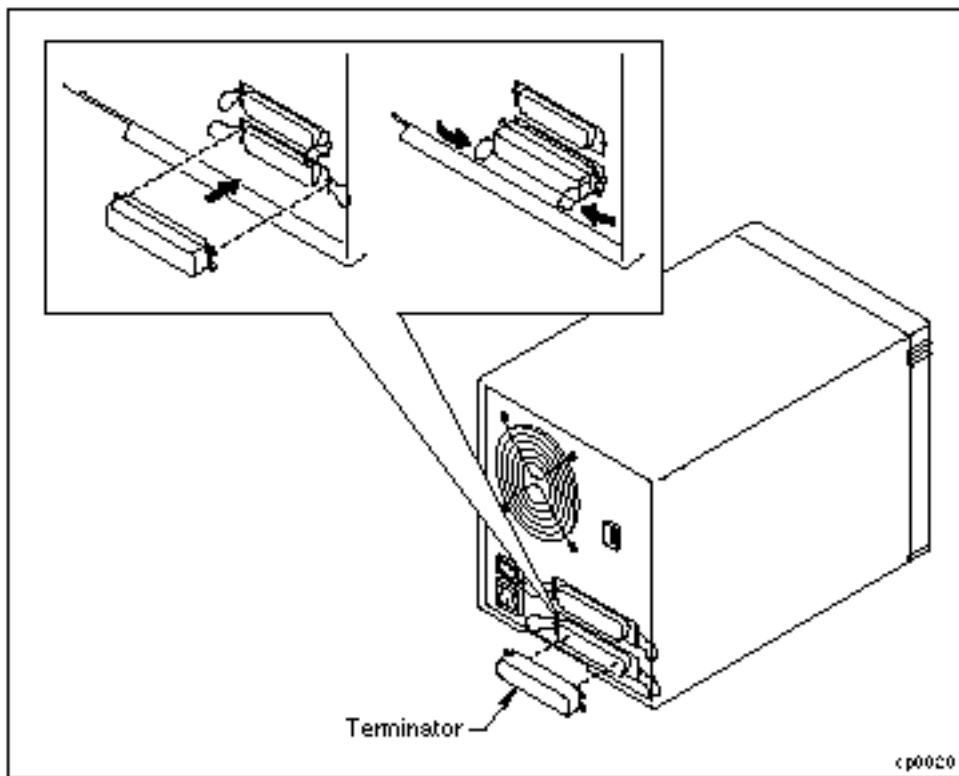
To change the SCSI identification on a T800-series tape drive, first power down the tape drive. The SCSI identification is read by the system when the tape drive is powered up. If you change the SCSI identification display after power-up, the new identification will not be registered by the tape drive. Any attempts to access the tape drive will result in an application error.

- Verify that the single-ended SCSI terminator (part number JC-005TRM) is installed in the **lower** port on the rear of the tape drive. If it is not installed, connect it to the lower port and securely clip it to the tape drive, *See Figure 3.3*.



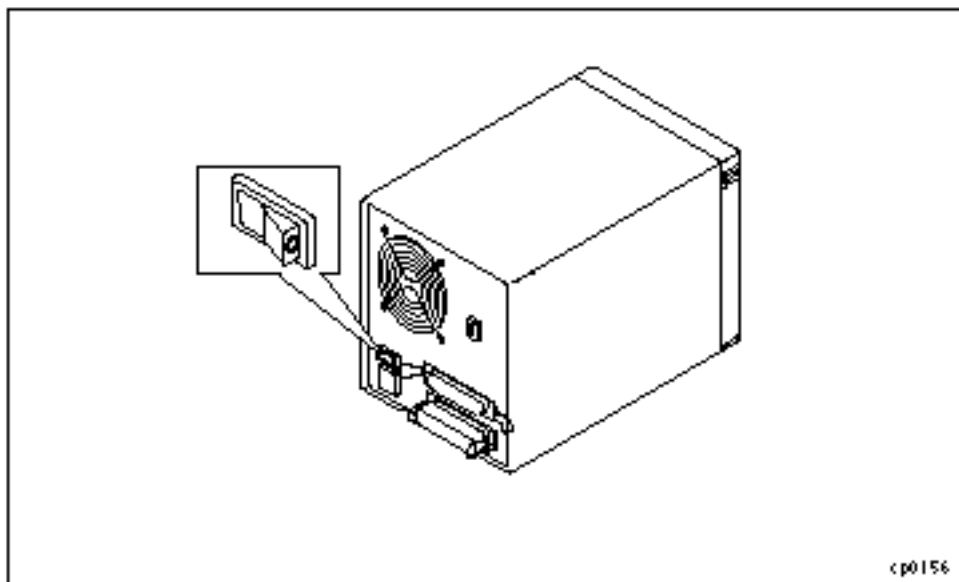
Install only a single-ended SCSI terminator on the tape drive. Do not install a differential terminator, as it could damage the tape drive and/or SCSI PCI card.

Figure 3.3. SCSI Terminator: Stand-Alone T800-Series



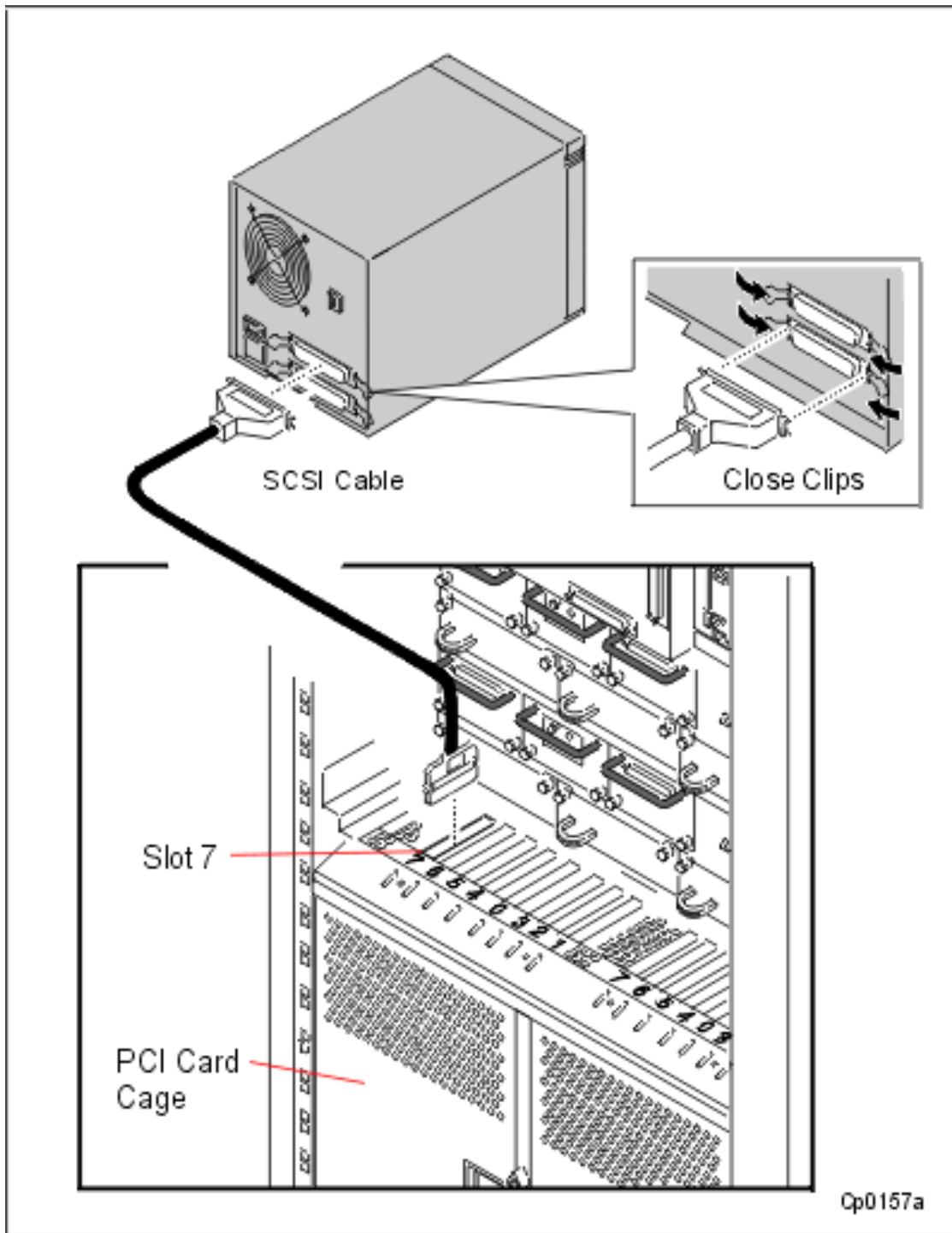
5. Turn off the power switch on the tape drive, *See Figure 3.4.*

Figure 3.4. Powering Down the T800-Series



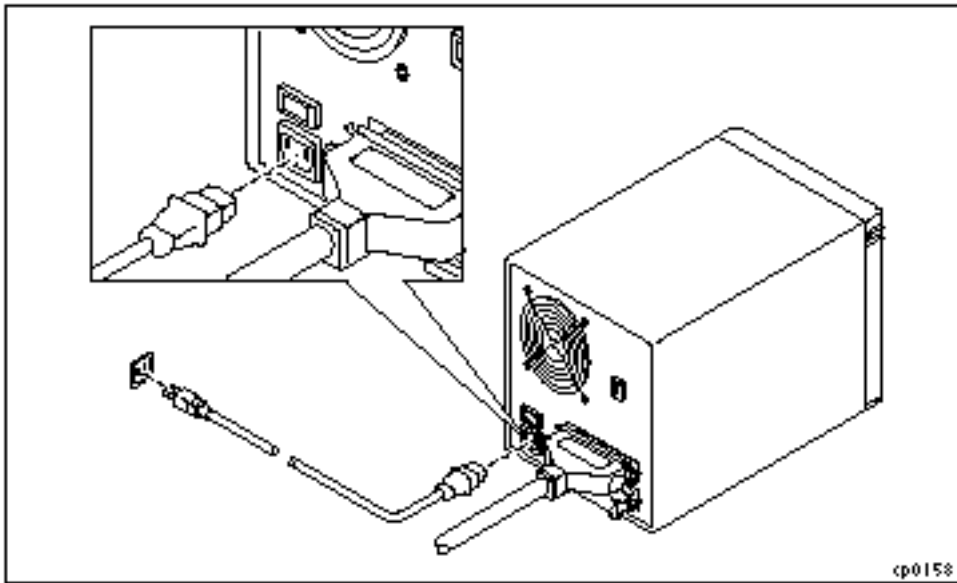
6. Connect the SCSI cable (part number AW-B21000-12) to the rear of the tape drive and to the U501 SCSI card in slot 7 of either PCI card cage, *See Figure 3.5.*

Figure 3.5. SCSI Cable: Stand-Alone T800-Series



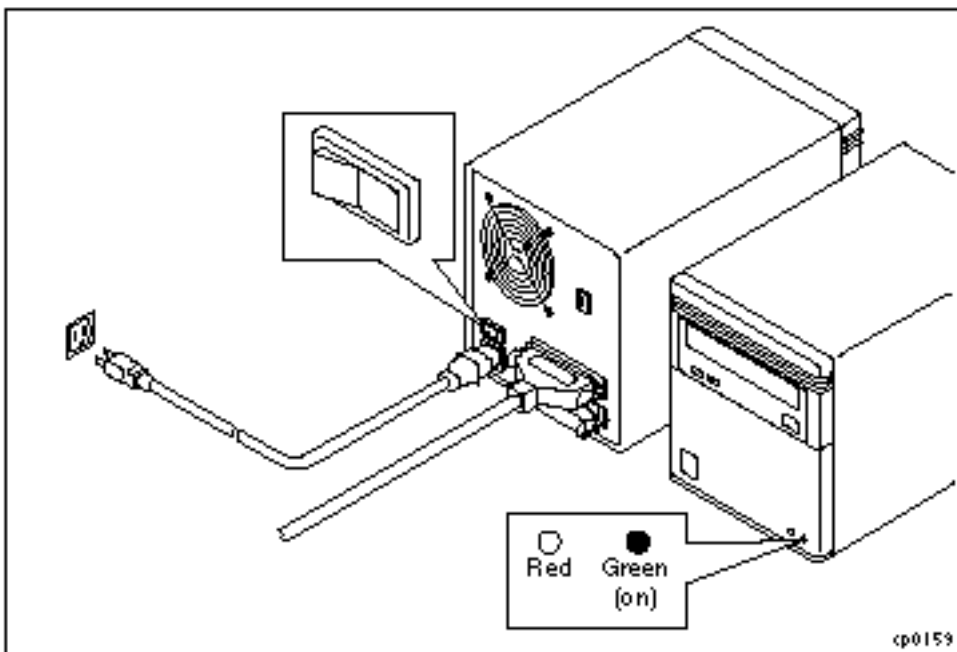
7. Plug the power cord into the rear of the tape drive and into an AC wall outlet, *See Figure 3.6.*

Figure 3.6. T800-Series Power Cord



- Turn on the T800-Series power switch, *See Figure 3.7*. The green power light is illuminated as long as the tape drive is receiving power. If it is not illuminated, check to be sure the cables are securely connected.

Figure 3.7. Powering Up the T800-Series



- When the system is booted, the tape drive will come online, as described in *Chapter 4, "Booting the System."*

3.3 Installing Daisy-Chain T800-Series Tape Drives

Two T800-series tape drives can be daisy-chained to each U501 SCSI PCI card in the system. To install daisy-chained tape drives, perform the following steps.

NOTE

This procedure assumes that the system power is off or that the SCSI bus to which the tape drives will be attached has been suspended.

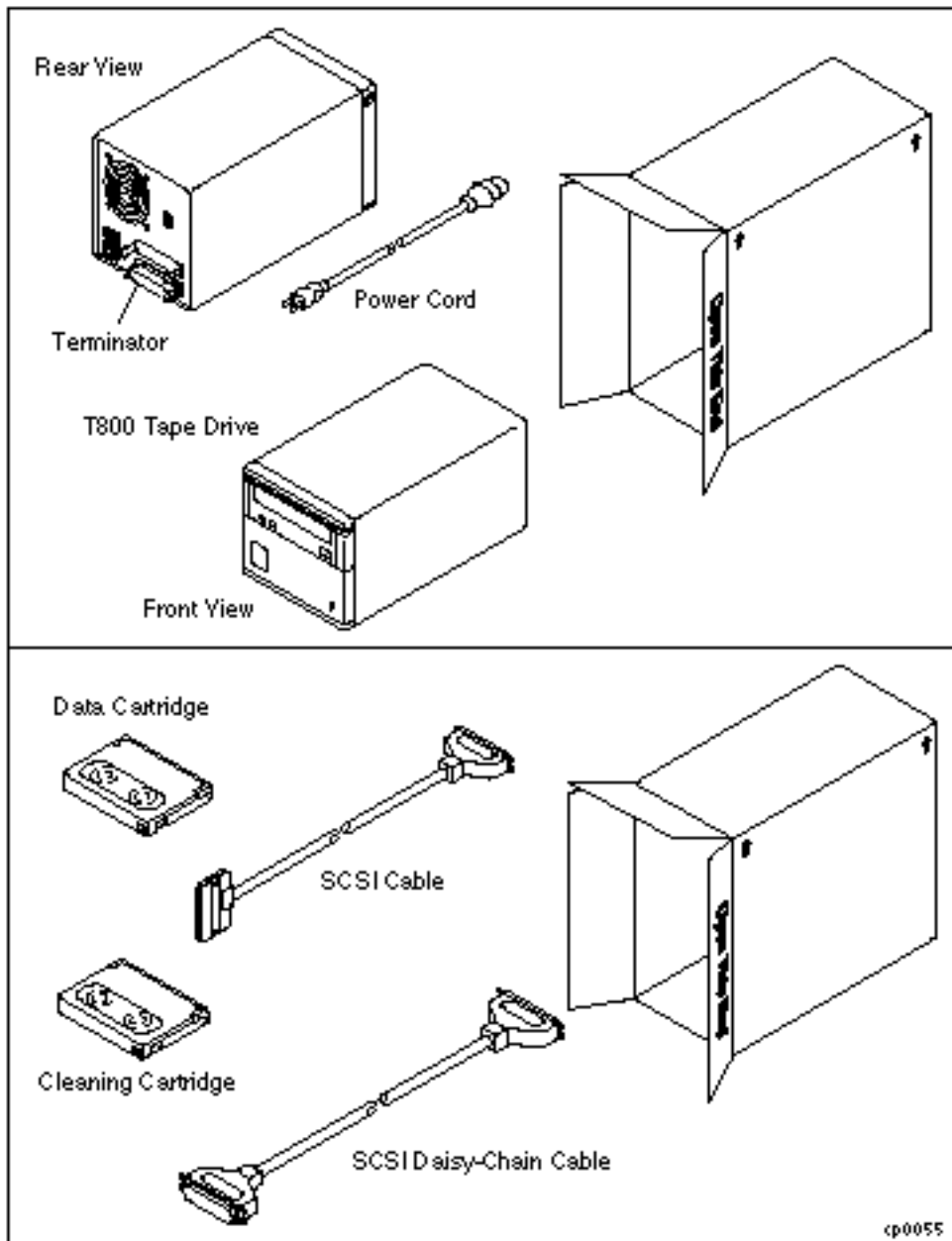
- Verify that the shipping cartons contain the items included with Daisy-Chain T800-Series Tape Drives, *See Items Included with Daisy-Chain T800-Series Tape Drives*.

Items Included with Daisy-Chained T800-Series Tape Drives

Part Number	Description
AA-T80500 AA-T80600	T800-Series Tape Drive
AW-B12800- XX	Power Cord
AW-B21000-12	SCSI Cable
AW-B20000	SCSI Daisy-Chain Cable
JC-005TRM	SCSI Terminator
AX-T60007	Data Cartridge (T805 and T806)
AX-T60006	Autoloader magazine (T806)
AX-T60002	Cleaning Cartridge (T805 and T806)

Parts included with the Daisy-Chained T800-Series Tape Drive. (See *Figure 3.8*)

Figure 3.8. T800-Series Parts: Daisy-Chained Tape Drive



2. Place the tape drives on a table or rack near the rear of the system cabinet.
3. Verify that the SCSI identification display on the tape drive that will be connected to the SCSI PCI card is set to **0**. Verify that the SCSI identification display on the other tape drive in the daisy-chain is set to 1, *See Figure 3.9*.

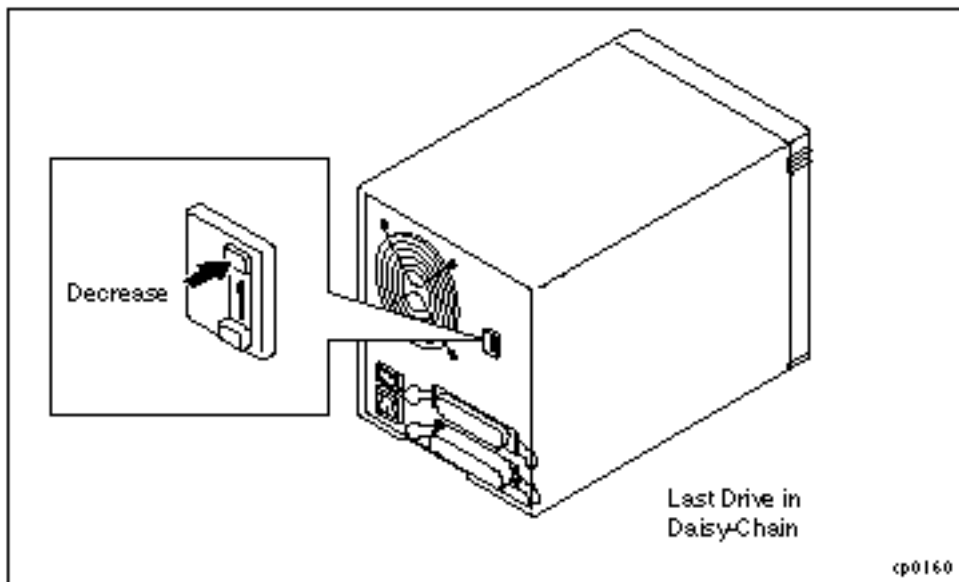
If the identification displays are not set to the appropriate numbers, use a paper clip (or similar nonmarking, pointed instrument) to press the buttons that increase and decrease the displayed number. Press the upper button to decrease the number, and the lower button to increase it.



CAUTION _____

Do not press the upper button after the number **0** is displayed, or the lower button after **7** is displayed. Attempting to move beyond these parameters will break the buttons.

Figure 3.9. SCSI Identification Display: Daisy-Chainned T800-Series



NOTE _____

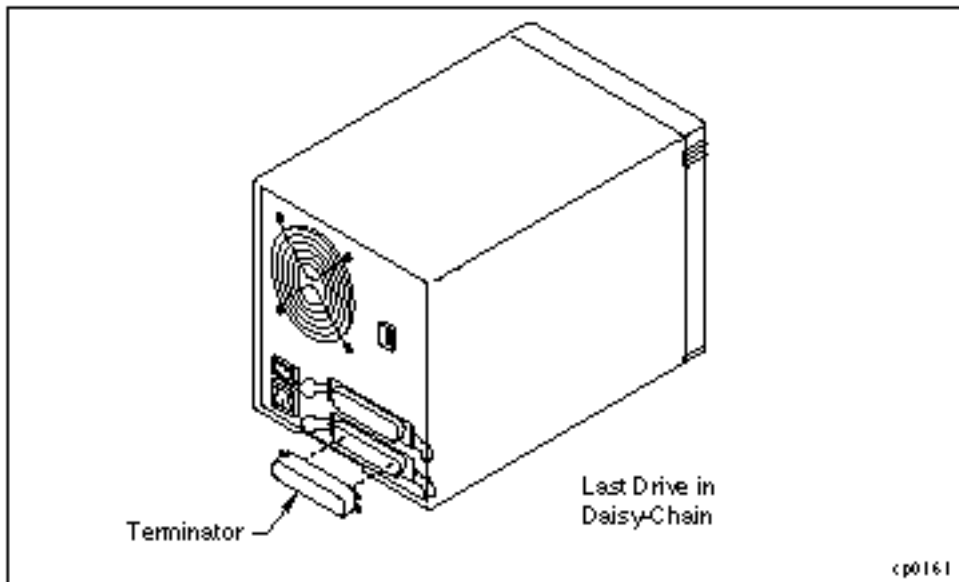
To change the SCSI identification on a T800-series tape drive, first power down the tape drive. The SCSI identification is read by the system when the tape drive is powered up. If you change the SCSI identification display after power-up, the new identification will not be registered by the tape drive. Any attempts to access the tape drive will result in an application error.

4. If the tape drive is the **last** drive in the daisy chain, verify that the single-ended SCSI terminator (part number JC-005TRM) is installed in the **lower** port on the rear of the tape drive. If the terminator is not installed, connect it to the lower port and securely clip it to the tape drive, *See Figure 3.10*.

CAUTION _____

Install only a single-ended SCSI terminator on the tape drive. Do not install a differential terminator, as it could damage the tape drive and/or SCSI PCI card.

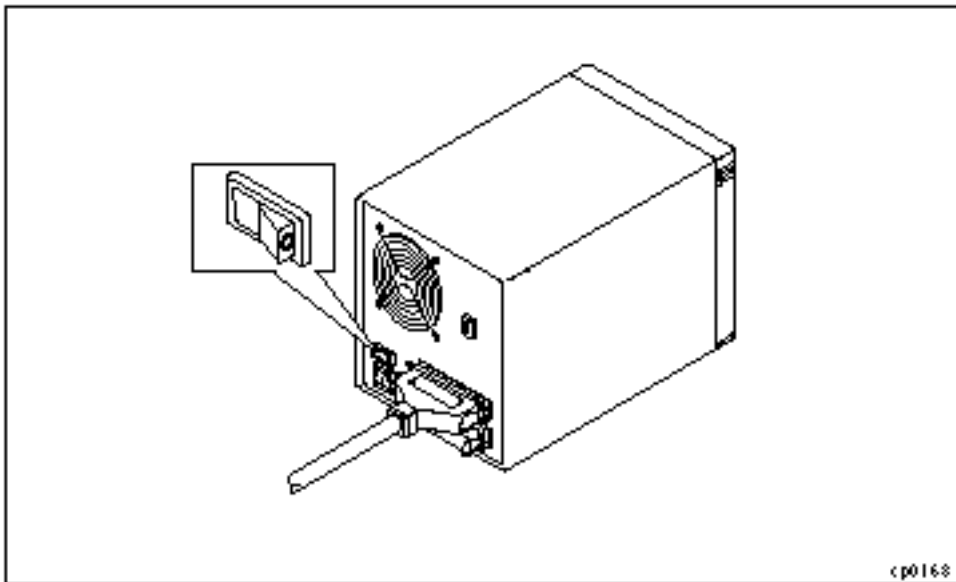
Figure 3.10. SCSI Terminator: Daisy-Chained T800-Series



If the tape drive is the *first* drive in the daisy chain and a terminator is connected to either tape-drive port, remove the terminator.

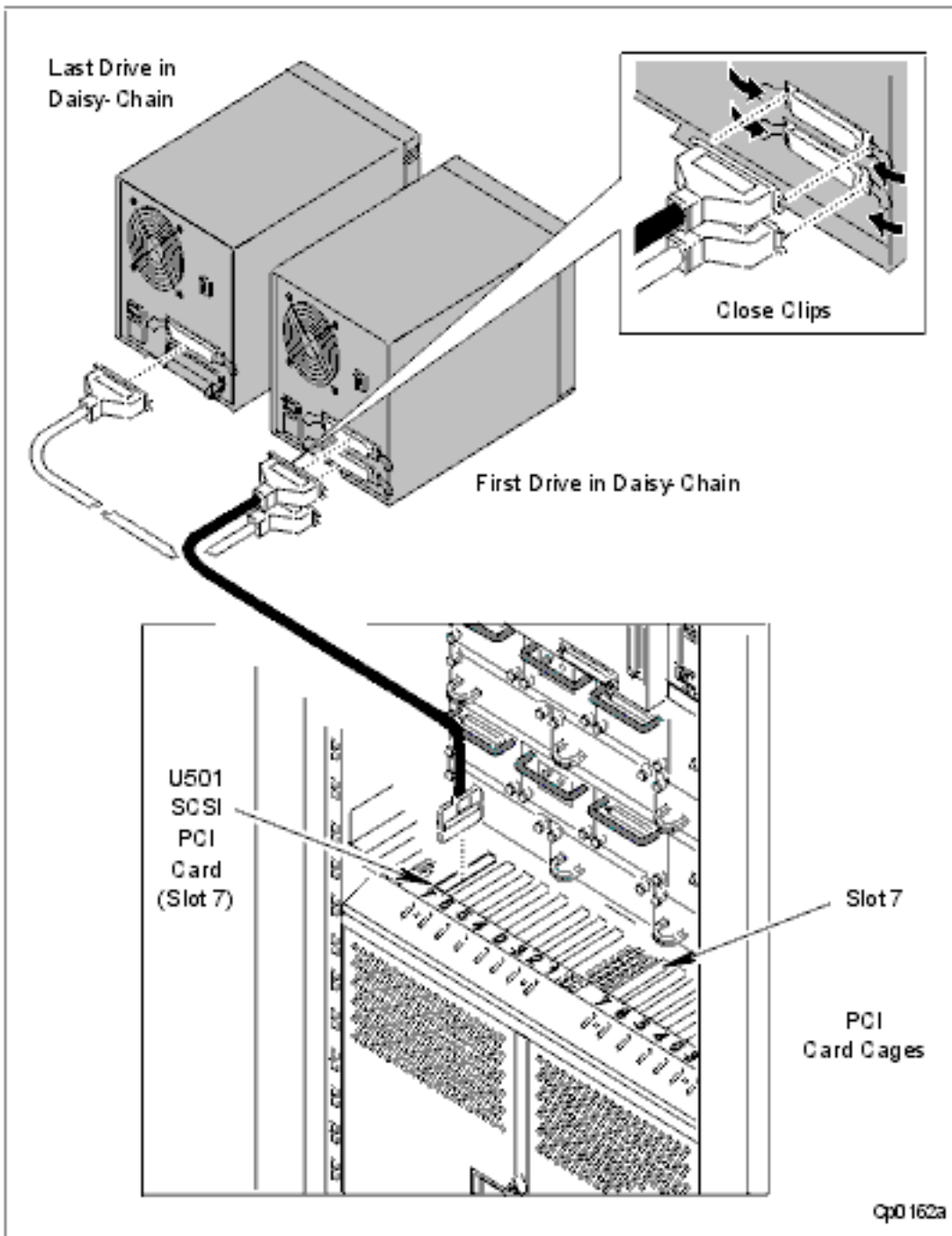
5. Turn off (O) the power switch on each tape drive, *See Figure 3.11*.

Figure 3.11. Powering Down the T800-Series(2nd)



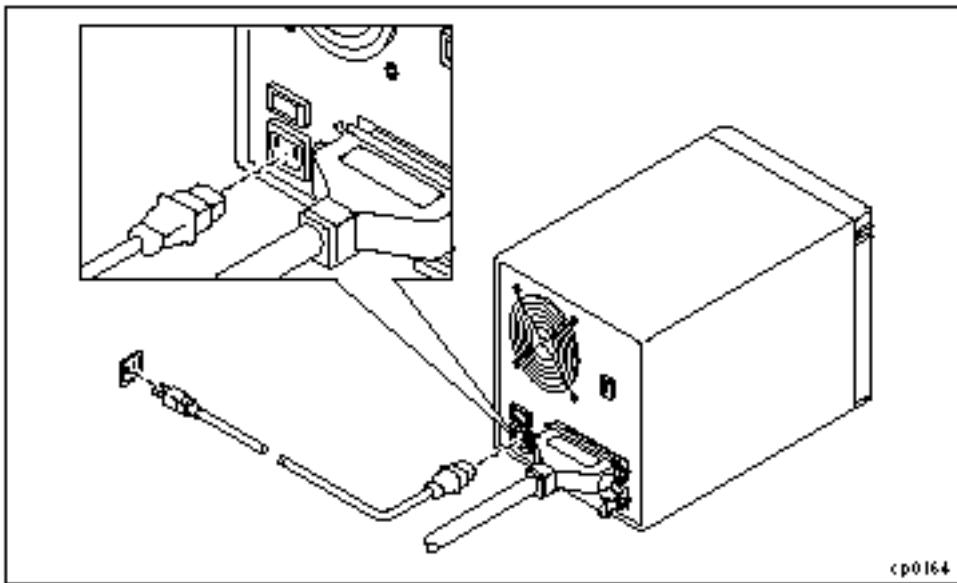
6. Connect the SCSI cables, (part number AW-B21000-12) to the rear of the tape drive and to the U501 SCSI card in *slot 7* of the PCI card cages. *See Figure 3.12*.

Figure 3.12. SCSI Cables: Daisy-Chained T800-Series



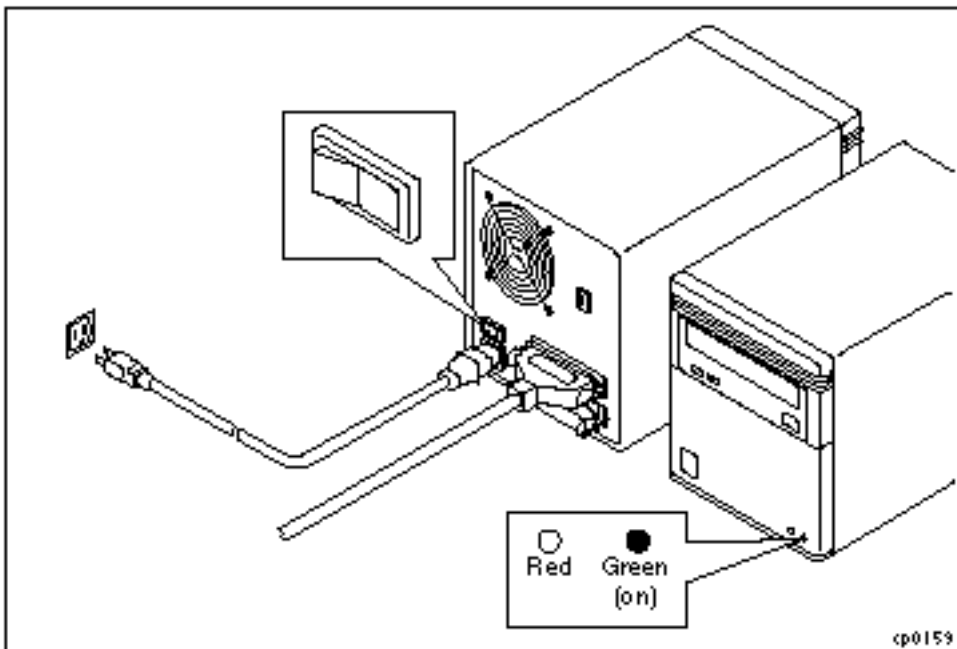
7. Plug the power cords into the rear of each tape drive and into AC wall outlets, *See Figure 3.13.*

Figure 3.13. T800-Series Power Cord (2nd)



8. Turn on the power switch on the rear of each tape drive, *See Figure 3.14*. The green power light on each tape drive is illuminated and remains lit as long as the tape drive is receiving power. If the light does not illuminate, check to be sure that the power cables are securely connected.

Figure 3.14. Powering Up the T800-Series (2nd)



NOTE _____

To change the SCSI identification on a T800-Series tape drive, first power down the tape drive. The SCSI identification is read by the system when the tape drive is powered up. If you change the SCSI identification display after power-up, the new identification will not be registered by the tape drive. Any attempts to access the tape drive will result in an application error.

9. If you installed the tape drives on an offline system, the tape drives will come online when you boot the system. (See [Chapter 4 Booting the System](#).)

3.4 Completing the Installation of Tape Drives on a Running System

To complete the installation of a tape drive on a running DNCP Series 400/400-CO (PA-8500) system, perform the following steps.

1. Issue the `/sbin/hwmain start vsb n` command to activate the SCSI bus.

```
/sbin/hwmain start vsb n
```

In the preceding example, `n` is the virtual SCSI bus location (either 2 or 3) that you suspended before installing the tape drive.

2. Issue the `/sbin/hwmain ls` command to verify that the state of the VSB is now `onln`.

```
/sbin/hwmain ls vsb n
```

Modelx	Description	State	Code	Flg	Serial	BdRv	PcRv	Slotloc
-	Virtual SCSI Bus 2	onln	-	---	-	-	-	vsb 2

In the preceding example, `n` is the virtual SCSI bus location, which is usually either 2 or 3.

3. The system automatically adds the new tape drive. Issue the `/sbin/hwmain ls tape` command to verify that the drive is configured as part of the system. The `Modelx` and `Description` fields show the type of tape drive. For example, the following output shows an online T805 tape drive located on virtual SCSI bus 3.

```
/sbin/hwmain ls tape
```

Modelx	Description	State	Code	Flg	Serial	BdRv	PcRv	Slotloc
t805	4mm DAT Tape Drive	onln	-	---	-	-	9503	vsb 3 0 0

4. Verify that the tape drive is operating properly by issuing a tape-drive operating command such as `cpio` to copy a small file to tape, and then copy the same file from the tape to the `/tmp` directory. The tape-drive operating commands are described in the *FTX Commands Reference Manual* (R460X).

If the tape drive is not operating properly after performing the previous steps refer to the manuals *DNCP Series 400/400-CO (PA-8500): Tape Drive Operation Guide* (R716) for troubleshooting information.

Chapter 4

Booting the System

This chapter describes how to boot the system.

Boot the system by performing the following steps.

1. Verify that cabinet components are seated properly by checking that their thumbscrews are fully tightened.
2. Verify that the flash cards are fully inserted in the bridge cards in slot 0 of each PCI card cage.
3. Power up the system console.
4. Initiate the automatic boot process by turning on:
 - For DNCP Series 400 (PA-8500) --the MAIN and PCI power switches, *See Figure 4.1.*
 - For DNCP Series 400-CO (PA-8500) -- the MAIN, ACU, and PCI power switches *See Figure 4.2.*

Figure 4.1. System Power Switches for the DNCP Series 400 (PA-8500)

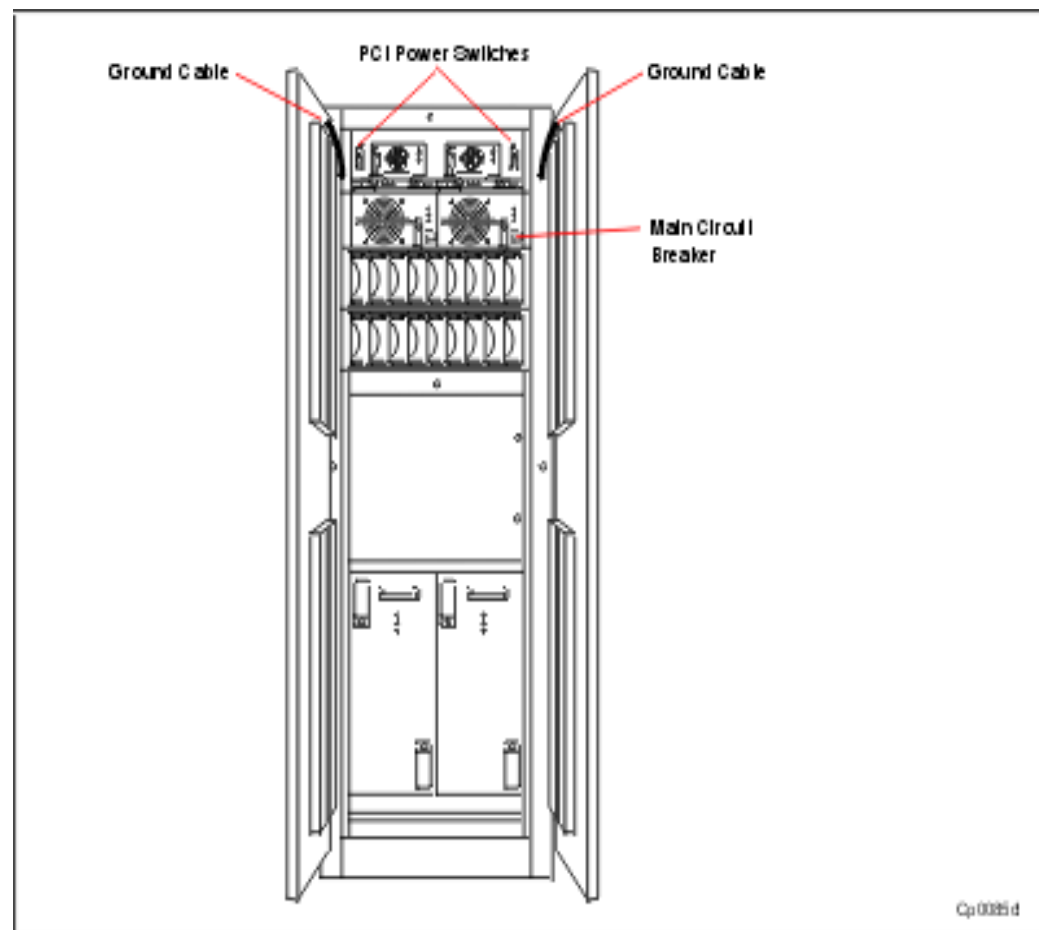
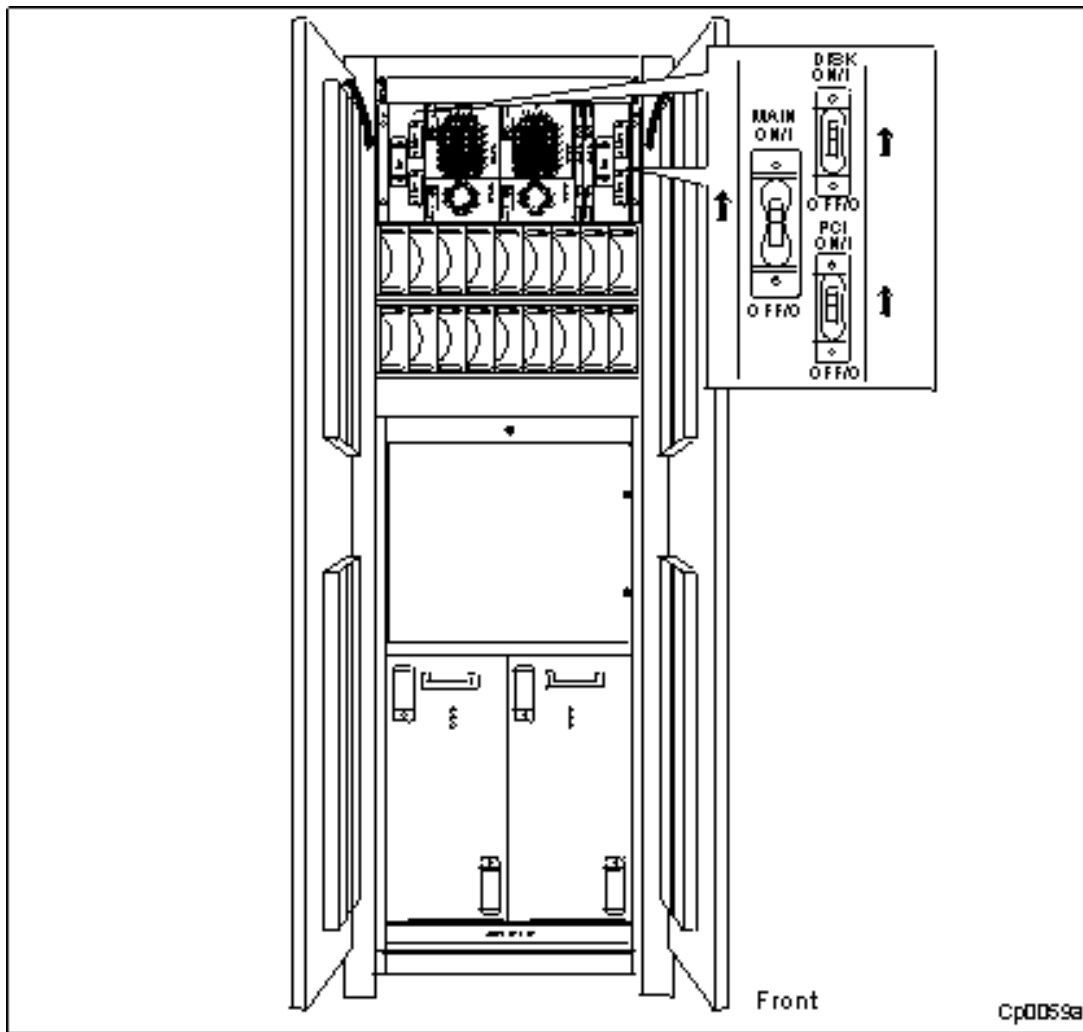


Figure 4.2. System Power Switches for the DNCP Series 400-CO (PA-8500)



Wait approximately 10 seconds for the system boot to begin. When the system begins to boot, the CABINET FAULT and component lights flash on and off. As the booting progresses, the logic suitcase lights are illuminated in the sequence listed (See Logic Suitcase Power-Up Light Sequence) .

Logic Suitcase Power-Up Light Sequence

Power-Up Stage	Color	State	Meaning
1	Red	Off	The logic suitcase is performing its self-test.
	Yellow	On	
	Green	Off	
2	Red	Off	The master logic suitcase has passed its self-test and is being configured by the system.
	Yellow	Flashing	
	Green	Off	
3	Red	Off	The master logic suitcase and its partner are online and duplexed.
	Yellow	Off	
	Green	On	

Stages 1 and 2 should last no longer than five minutes. If they last longer, turn off the system power switches and the system console, wait about two minutes, and then turn on the power switches and system console to begin the boot process again. If there is still a problem, refer to *FTX System Administrator's Guide: General*

Services (R455X) for instructions on how to perform a manual boot.

- As the booting progresses, the system console displays a series of messages similar to the following sample output.

```
Continuum Firmware, Version xx.y (G2xx)

(copyright) 1995-1998 by Ascend Communications, Inc.

Built: Mon May 7 18:12:11 EST 1999

All Rights Reserved

Model type:                G262
Total Memory Size:         512Mb
Board Revision:            31
CPU Configuration:         CPUs in slots 0 and 1
Boot Status:                Booting
```

Hit any key to enter manual boot mode, else wait for auto boot.

If no messages are displayed on the system console, the console data cable may not be securely connected or the console may not be properly configured. Check the cable connections and [See Chapter 2](#) for information about system console configuration. Then, power down the system, wait about two minutes, and begin the boot process again.

At the conclusion of these messages, the system indicates that it is in single-user mode and prompts you to proceed.

```
INIT: SINGLE USER MODE
```

```
Type Ctrl-d to proceed with normal startup,
```

```
(or give root password for system maintenance):
```

- Although the system has now successfully booted, check that all of the system components are functioning properly. To do this, make sure that:
 - All red/yellow LEDs and amber fault lights on the cabinet are off. (Illuminated yellow lights are permissible on the PCI card cage with HP-UX)
 - All green lights are on.

If this is not the case, try reseating each red-lit component or refer to the troubleshooting chapter in *FTX Continuum Series 400-CO: Operation and Maintenance Guide* (R601X) for more detailed troubleshooting instruction.

- Proceed with the normal startup by holding down the <CTRL> key while pressing the <D> key.
- The system console prompts you to specify a system start-up mode. Enter the number 2 for multiuser mode.

```
ENTER RUN LEVEL (0-6, s or S): 2
```

```
INIT: New run level: 2
```

```
The system is coming up. Please wait.
```

The system console displays additional messages followed by the *login* prompt. Log in as *root* and enter a new password. (Lucent does not define a password for shipped systems.) The system prompts you to reenter the new password and then to confirm the password. Record the password so it is available the next time you log in.

The system is ready.

```
Welcome to UNIX System V/PA-RISC Release x.x  
System name: system_name
```

```
Console login: root  
New password:  
Re-enter new password:
```

The system displays additional messages followed by the # command line prompt. When you see this prompt, the system has successfully booted.

9. Close the cabinet doors.

Next, configure the RSN as described in [Chapter 5, Configuring the RSN and C419/C619 Modem](#) .

Chapter 5

Configuring the RSN and C419/C619 Modem

This chapter describes how to configure the Remote Services Network (RSN). It contains the following sections.

- [Preparing to Configure the RSN](#)
- [Configuring the RSN](#)
- [Configuring the C419/C619 Modem](#)
- [Completing and Verifying Configuration of the RSN](#)

For more information on how to configure the RSN, see *HP-UX Operating System: Fault Tolerant System Administration* (R1004H-04-ST).

5.1 Preparing to Configure the RSN

After logging into the system as root ([See Booting the System](#)), perform the following steps to prepare to configure the RSN

1. Enter the following command to set the password for the user **sracsx** or **sracs**. The **sracsx** or **sracs** login name enables CAC personnel to log in remotely to the system. In particular, the **sracsx** login enables the CAC to examine and change values in your system. The **sracs** login provides a restricted shell that enables the CAC only to examine values in this system.

```
passwd sracs
```

or

```
passwd sracsx
```

2. The system prompts you for a password. Enter a new password, and then confirm the password at the subsequent prompt.

```
New password:  
Re-enter new password:
```

3. Record the **sracsx** or **sracs** account password; you will enter the password in the installation report, as described later in this chapter.

5.2 Configuring the RSN

Perform the following steps to configure the RSN using the **rsnadmin** command.

1. Execute the **rsnon** script as shown in the following example. This script enables the RSN to work properly.

Chapter 5

```
/usr/stratus/rsn/bin/rsnon
```

This script displays the following message and prompt. Press the **<Return>** key to continue.

1. Setting `rsn_monitor`, `rsn_getty`, `rsndbs` to respawn in `/etc/inittab`.
2. Enabling the `rsntrans` entry in `/var/spool/cron/crontabs/rsn`.
3. If any errors are encountered, no changes are committed.

Press return to continue or q to quit...

The script displays the RSN **inittab** settings and asks you if they are correct. The settings should be correct. Press **y** followed by the **<Return>** key to continue.

```
*****  
*****
```

```
CHANGING RSN INITTAB SETTINGS.
```

```
Changing settings to respawn
```

```
22,24c22,24
```

```
< rsnd:234:off:/usr/stratus/rsn/bin/rsndbs >/dev/null 2>&1  
< rsng:234:off:/usr/stratus/rsn/bin/rsngetty -r >/dev/null 2>$1  
< rsnm:234:off:/usr/stratus/rsn/bin/rsn_monitor >/dev/null 2>&1  
---  
> rsnd:234:respawn:/usr/stratus/rsn/bin/rsndbs >/dev/null 2>&1  
> rsng:234:respawn:/usr/stratus/rsn/bin/rsngetty -r >/dev/null 2>&1  
> rsnm:234:respawn:/usr/stratus/rsn/bin/rsn_monitor >/dev/null 2>&1
```

```
Are these the proper changes to be made (y/n): y
```

The script displays a commented-out line in the file `/var/spool/cron/crontabs/sracs` and asks you if this line should be uncommented. Press **y** followed by the **<Return>** key to continue.

```
*****  
*****
```

```
CHECKING /var/spool/cron/crontabs/sracs FOR RSNTRANS
```

```
#1,16,31,46 * * * * /usr/stratus/rsn/bin/rsntrans -r1 -s HUB -z  
>/dev/null
```

```
Is this the proper line in /var/spool/cron/crontabs/sracs to  
uncomment? (y/n): y
```

If the script completes execution successfully, it displays the following messages.

```
RSNTRANS HAS BEEN ENABLED
```

```
/etc/inittab SETTINGS ARE COMMITTED
```

```
RSN IS NOW ON.
```

Chapter 5

```
*****  
*****  
#
```

2. Enter the `/usr/stratus/rsn/bin/rsnadmin` command to display the RSNADMIN MAIN MENU .

```
RSNADMIN MAIN MENU
```

```
1) list list all database info  
2) local_info local_info menu  
3) port_info port info menu  
4) site_info site info menu  
5) notify_list notify_list menu  
6) mask mask menu  
7) modem_script modem script menu  
8) periodic_call periodic call menu
```

```
Options: [# , command , ? command (help for command) , 0 (parent  
menu) ,  
/ (goto main menu) , q (quit rsnadmin)]
```

```
Command:
```

At the Command : prompt at the end of the menu, enter the value 2 to select the local_info menu item. For example:

Command: 2

This displays the menu called LOCAL_INFO MENU .

3. At the Command: prompt at the end of LOCAL_INFO MENU , enter the value 4 to select the bridge_system_path menu item. For example:

```
LOCAL_INFO MENU
```

```
1) list list all local info  
2) protocol set rsn transfer protocol  
3) site_id site_id menu  
4) bridge_system_path bridge_system_path menu  
5) demo_mode demo_mode menu  
6) fault_time_limit fault time limit menu
```

```
Options: [# , command , ? command (help for command) , 0 (parent  
menu) ,  
/ (goto main menu) , q (quit rsnadmin)]
```

```
Command: 4
```

This displays the menu called BRIDGE SYSTEM PATH MENU .

4. At the Command : prompt at the end of BRIDGE SYSTEM PATH MENU , enter the value 2 to select

Chapter 5

the **set** menu item in order to specify the `bridge_system_path` entry. For example:

BRIDGE SYSTEM PATH MENU

```
1) get get current bridge_system_path
2) set set current bridge_system_path
```

Options: [#, command, ?command (help for command), 0 (parent menu), / (goto main menu), q (quit rsnadmin)]

Command: 2

The `bridge_system_path` entry identifies the NFS mount path of the root directory on the bridge system. A *bridge system* such as the PA-8500 Continuum Series 400 system is attached to an RSN modem. Enter a slash (/) at the next prompt. For example:

```
Enter new bridge_system_path (enter / if this is the bridge): /
```

```
Database successfully updated
```

```
Hit Return to continue.
```

5. Press the **<Return>** key to save the current or new bridge system path and return to the BRIDGE SYSTEM PATH MENU .
6. Press **0** followed by the **<Return>** key to return to LOCAL_INFO MENU .
7. At the Command: prompt at the end of LOCAL_INFO MENU , enter the value 3 to select the `site_id` menu item. For example:

Command: 3

This displays the menu called SITE_ID MENU .

8. At the Command: prompt at the end of SITE_ID MENU , enter the value 2 to select the **set** menu item in order to specify the current site ID. For example:

SITE_ID MENU

```
1) get get current site_id
2) set set current site_id
```

Options: [#, command, ?command (help for command), 0 (parent menu), / (goto main menu), q (quit rsnadmin)]

Command: 2

Stratus recommends using the site ID specified on the Sales Order pick list which arrived with the shipping carton. See the **bolded portion of** the example below:

Report Name: COP-3136	S.O. PICKLIST	Page: 1
Report Date: 05/15/97	=====	

BILL OF MATERIAL EFFECTIVITY DATE: 05/15/97

Chapter 5

ORDER NO.: US 113370		
SHIP-TO: 01923	BILL-TO: 01932	SID TECH: J. Bond
Company X	Company X	
55 Main Blvd.	55 Main Blvd.	SHIPPER: XXX Inc.
Boston, MA 02116	Boston, MA 02116	
USA	USA	CPU SER:60029 RA KIT:N
		INSP BY:M.Jones
		SITE SR: N/A__Y__N__
ATTN:PAM SMITH	ATTN:	
PHONE:X2502	PHONE:	
SITE-ID: comp_ux		ORDER STATUS: APPROVED

If necessary, a different site ID of up to 16 characters can be specified. For example:

Enter new site_id: **cac_ux**

NOTES _____

If the site ID is changed, immediately inform the CAC. The CAC needs the site ID to uniquely identify this site. If the CAC does not know this site ID, the CAC hub will be unable to properly track communications from the site and may lose the installation report for this site.

1. The letters **_ux** must end the site ID so that the CAC knows that this is a system running the HP-UX operating system.

Record the site ID; enter the site ID in the installation report, as described later in this chapter. If a site ID, different from the one listed in the pick list, was used, it may not be unique. If so, the CAC will contact this site and request a change.

Press the **<Return>** key to update the database. The command displays the following messages.

Database successfully updated.

Hit Return to continue.

Press the **<Return>** key to return to **SITE_ID MENU** . Enter a slash (/) and then press the **<Return>** key to return to the **RSNADMIN MAIN MENU** .

9. At the **Command:** prompt at the end of **RSNADMIN MAIN MENU** , enter the value **4** to select the **site_info** menu item. For example:

Command: 4

This displays the menu called **SITE_INFO MENU** .

10. At the **Command:** prompt at the end of **SITE_INFO MENU** , enter the value **2** to select the **hub_phone_1** menu item. For example:

Chapter 5

SITE_INFO MENU

- 1) list list all site_info
- 2) hub_phone_1 hub_phone_1 menu
- 3) hub_phone_2 hub_phone_2 menu
- 4) rsn_password set rsn_password
- 5) nighttime nighttime menu
- 6) cleanup cleanup menu
- 7) scs_in_use scs_in_use

Options: [#, command, ?command (help for command), 0 (parent menu), / (goto main menu), q (quit rsnadmin)]

Command: **2**

This displays the menu called HUB_PHONE_1 MENU .

11. At the Command: prompt at the end of HUB_PHONE_1 MENU , enter the value **2** to select the set menu item in order to specify the hub phone 1 entry. The hub phone 1 entry specifies the RSN phone number of the supporting Stratus hub. If you enter a different hub number than the one which should be used, the CAC will contact the site after it receives the installation report. In the following example, the North American hub number is specified.

HUB_PHONE_1 MENU

- 1) get get current hub phone 1 setting
- 2) set set hub phone 1

Options: [#, command, ?command (help for command), 0 (parent menu), / (goto main menu), q (quit rsnadmin)]

Command: **2**

Enter new hub phone 1: **18008515125**

Database successfully updated

Hit Return to continue.

NOTE _____

If errors occur at this point, you did not start the RSN with the **/usr/stratus/rsn/bin/rsnon** command before you started **rsnadmin**. You will exit RSNADMIN with the error below:

```
Command:4 "site_info" is not valid when rsndbs is
not running.
rsnadmin: Unable to access rsn database server.
system error: No such file or directory
Exiting...rsnerrno: (313); errno: (2).
```

Chapter 5

To recover from the error, start RSN by executing the `/usr/stratus/rsn/bin/rsnon` command at the operating system # prompt. Then execute the `/usr/stratus/rsn/bin/rsnadmin` command to display the RSNADMIN MAIN MENU . Enter 4 to display the SITE_INFO MENU . You can now set the hub phone number by entering 2 at the Command : prompt.

If you do not have a direct outside telephone, have one installed as soon as possible. You can route hub calls through a PBX, but this may cause the following problems:

- Data loss
- An unstable connection
- Inability of your module to contact the hub with problem reports
- Inability of the CAC to dial in to your system after you report problems

In order to send the installation report, you can route the RSN calls through PBX, but you risk all of the above problems over the long term unless a direct line is installed. If you do route RSN calls through a PBX, set the hub number so that it dials the proper prefix, followed by a comma and a numeral one (9,1; 99,1; or 8,1; etc.), to wait for an outside line dial tone. For example:

```
Command: 2
Enter new hub phone 1: 9,18008515125
Database successfully updated

Hit Return to continue.
```

Press the <Return> key to save the new hub phone number. Press 0 followed by the <Return> key to return to SITE_INFO MENU .

12. At the Command: prompt at the end of SITE_INFO MENU , enter the value 4 to select the RSN password menu item. For example:

```
Command: 4
```

The system then prompts you to enter an RSN password. The `rsn_password` value enables the supporting hub to remotely service your machine. Note that the RSN password can contain only numbers and letters.

```
Enter new rsn_password: rsn4321

Database successfully updated

Hit Return to continue.
```

Record the RSN password; you will need to enter the password in the installation report, as described later in this chapter.

Press the <Return> key to save the new RSN password. Enter a slash (/) and then press the <Return> key to return to RSNADMIN MAIN MENU .

13. At the Command: prompt at the end of RSNADMIN MAIN MENU , enter the value 5 to select the notify_list menu item. The notify list enables you to specify who should receive mail or messages when the RSN encounters any problems or if there is unsolicited incoming RSN modem traffic (for example, when a supporting hub calls your site). For example:

Chapter 5

Command: **5**

This displays the menu called NOTIFY_LIST MENU .

14. At the Command: prompt at the end of NOTIFY_LIST MENU , enter the value 4 to select the **add_both** menu item to add your login name or the system administrator's login name to the list. For example:

```
NOTIFY_LIST MENU
```

```
1) list list the notify list
2) add_mail add user for mail notify
3) add_message add user for message notify
4) add_both add user for both types of notification
5) remove_user remove user from list
```

```
Options: [# , command , ?command (help for command) , 0 (parent menu) ,
/ (goto main menu) , q (quit rsnadmin)]
```

Command: **4**

NOTE _____

If you do not know which users you want to add, you can change the notify list later.

The system then prompts you to enter a user to the notify list. Specify a login name. The login name should not contain any spaces.

```
Enter user: root
```

Press the <Return> key to save the login name in the notify list.

1. Enter **q** to exit the **rsnadmin** command.

5.3 Configuring the C419/C619 Modem

Perform the following steps to configure the C419/C619 modem.

1. If you did not initialize the C419/C619 modem when you installed the modem hardware, activate it now. (If the modem is not connected to your system, [See Installing a C419/C619 Modem for RSN Use.](#))
2. Before executing **rsninitmodem** , execute the **rsnoff** script as follows.

```
/usr/stratus/rsn/bin/rsnoff -qa
```

Press the <Return> key to continue. Using the **-a** option stops all RSN processes, including **rsnd** and **rsn_monitor**. Using the **-q** option causes **rsnoff** not to prompt you.

Chapter 5

3. Execute the following script to configure the C419/C619 modem. For more information on the **rsninitmodem** script, see the **rsninitmodem** man page.

```
/usr/stratus/rsn/bin/rsninitmodem
```

The script displays the following messages as it configures the modem.

```
Wait ...  
.....  
Verifying .....  
Saving .....  
/usr/stratus/bin/rsninitmodem: Done
```

5.4 Completing and Verifying Configuration of the RSN

Perform the following steps to complete and verify the configuration of the RSN

1. To complete the configuration of the modem, execute the **rsn_setup** script as shown in the following example.

```
/usr/stratus/rsn/bin/rsn_setup
```

This script verifies that the RSN setup is correct and displays the following message:

```
rsn_setup: completed successfully
```

If the script displays error messages, take corrective actions as indicated by the script.

2. To verify the configuration, you must first make sure the RSN is disabled by issuing the **rsnoff** script as shown in the following example.

```
/usr/stratus/rsn/bin/rsnoff
```

Press the **<Return>** key to continue. The script displays the **/etc/inittab** settings and asks you if they are correct. The settings should be correct. Press the letter **y** followed by the **<Return>** key to continue. The script displays a line from the file **/var/spool/cron/crontabs/rsn** and asks you if this line should be commented out. Press the letter **y** followed by the **<Return>** key to continue. If the script completes execution successfully, it displays the following messages:

```
RSNTRANS HAS BEEN DISABLED  
/etc/inittab SETTINGS ARE COMMITTED  
RSN IS NOW OFF
```

3. To finish verifying the configuration, execute the **rsnon** script as shown in the following example. This script enables the RSN to work properly.

```
/usr/stratus/rsn/bin/rsnon
```

This script displays the following message and prompt. Press the **<Return>** key to continue.

1. Setting **rsn_monitor**, **rsn_getty**, **rsndbs** to respawn in

Chapter 5

/etc/inittab.

2. Enabling the rsntrans entry in /var/spool/cron/crontabs/rsn.
3. If any errors are encountered, no changes are committed.

Press return to continue or q to quit...

The script displays the RSN **inittab** settings and asks you if they are correct. The settings should be correct. Press **y** followed by the <Return> key to continue.

```
*****
*****
```

CHECKING RSN INITTAB SETTINGS

Changing settings to respawn

22,24c22,24

```
< rsnd:234:off:/usr/stratus/rsn/bin/rsndbs >/dev/null 2>&1
< rsng:234:off:/usr/stratus/rsn/bin/rsngetty -r >/dev/null 2>&1
< rsnm:234:off:/usr/stratus/rsn/bin/rsn_monitor >/dev/null 2>&1
---
> rsnd:234:respawn:/usr/stratus/rsn/bin/rsndbs >/dev/null 2>&1
> rsng:234:respawn:/usr/stratus/rsn/bin/rsngetty -r >/dev/null 2>&1
> rsnm:234:respawn:/usr/stratus/rsn/bin/rsn_monitor >/dev/null 2>&1
```

Are these the proper changes to be made (y/n): **y**

The script displays a commented-out line in the file /var/spool/cron/crontabs/sracs and asks you if this line should be uncommented. Press **y** followed by the <Return> key to continue.

```
*****
*****
```

CHECKING /var/spool/cron/crontabs/sracs FOR RSNTRANS

```
#1,16,31,46 * * * * /usr/stratus/rsn/bin/rsntrans -r1 -s HUB -z
>/dev/null
```

Is this the proper line in /var/spool/cron/crontabs/sracs to uncomment? (y/n): **y**

If the script completes execution successfully, it displays the following messages.

RSNTRANS HAS BEEN ENABLED

/etc/inittab SETTINGS ARE COMMITTED

RSN IS NOW ON.

```
*****
*****
#
```

4. Execute the following script to make sure that you have connected to the hub.

Chapter 5

```
/usr/stratus/rsn/bin/rsntry
```

The script calls the hub telephone number you specified with **rsnadmin** and attempts to verify the connection. If the script concludes with a success message, the RSN is installed and configured correctly. The system then displays the root prompt. You can now prepare and send the installation report.

```
/usr/stratus/rsn/bin/rsntrans -r1 -sHUB -z -f -x0
```

```
waiting for connect message.....
16:49:56 C connected after 1 attempt(s) =====
16:49:57 T line_swap
16:49:58 R line_swap
16:49:58 T master done with conversation
16:49:58 Conversation Complete: SUCCEEDED
#
```

If the hub telephone number for your region does not work, first check to see if the phone line has a dial tone. Also check the **hub_phone_1** value in the RSNADMIN database and make sure that it is correctly entered.

Chapter 6

Sending the Installation Report

After the RSN is configured, an installation report *must* be prepared and sent to the CAC. The installation report provides valuable information that enables the CAC to support the site and track product quality issues. This chapter contains the following sections.

- [See Preparing an Installation Report](#)
- [See Sending an Installation Report to the CAC](#)
- [See Sample Installation Report](#)

6.1 Preparing an Installation Report

Perform the following steps to prepare the installation report.

Although the use of the name Stratus is retained throughout the scripts, the installation reports are to be sent to Lucent.

1. Execute the **install_report** script as shown in the following example.

```
/sbin/install_report
```

The script first displays general instructions for completing the installation report.

```
*** Please read the following completely before proceeding ***
```

```
It is important that you take a moment to fully complete the following
install report questions. The data will be used to update Customer Service
databases in support of your site and provide product quality information.
```

```
Once the report is complete options will be provided to send the report to
Stratus or a Distributor/VAR. An alternate option to save the report to a
file for future use is provided.
```

```
The options to send the report use either the Remote Service Network (RSN) or
Internet mail which require the following to work.
```

```
Options
```

```
RSN          - Hardware installed & configured. RSN operational.
```

```
Internet mail - Operational Internet connection.
```

```
- `sendmail' configured for Internetwork mail.
```

```
Note: abort program = ^C, character erase = ^H or backspace key,
      line kill = ^U
```

2. The script then displays a prompt that asks if you want to continue with the installation report. Enter **y** and press the <Return> key to complete the report, or enter **n** and press the <Return> key to exit the script.

```
Do you want to continue with the install report (yes/no)? y
```

3. If **y** is entered at the prompt in step 2, a prompt asks whether a system installation or a system upgrade has been performed. Enter **1** for system installation. For example:

```
(FTX Customer Installation Reporter - Rev 2.3)
```

```
Select the type of installation that was performed.
```

```
(1) System Installation.
```

```
(2) Upgrade to an existing system.
```

Enter Selection (1 2): 1

4. A prompt asks for verification of the system site ID. The default site ID is the same as the site ID on the S.O. (Sales Order) pick list which arrived with the shipping carton (shown in **bold** in the example below).

Report Name: COP-3136	S.O. PICKLIST	Page:
1		
Report Date: 05/15/99	=====	
BILL OF MATERIAL EFFECTIVITY DATE: 05/15/99		
ORDER NO.: US 113370		
SHIP-TO: 01923	BILL-TO: 01932	SID TECH: J.
Bond		
Company X	Company X	
55 Main Blvd.	55 Main Blvd.	SHIPPER: XXX
Inc.		
Boston, MA 02116	Boston, MA 02116	
USA	USA	CPU SER:60029 RA
KIT:N		
		INSP BY:M.Jones
		SITE SR:
N/A__Y__N__		
ATTN:PAM SMITH	ATTN:	
PHONE:X2502	PHONE:	
SITE-ID: comp_x		ORDER STATUS: APPROVED

Verify this site ID. If this is the same site ID value specified with the **rsnadmin** command, as described in the [Configuring the RSN](#) section of Chapter 5, press the <Return> key.

(FTX Customer Installation Reporter - Rev 1.0)

Installation of a Stratus Module

Verify the Site id & System node name currently set on the system.

(If correct, press <return> or enter correct name).

System site id = "comp_x":

5. When the <Return> key is pressed, a prompt asks for verification of the system node name. The default node name is the same as the site ID. To verify the node name, press the <Return> key. A different node name can be entered and saved by pressing the <Return> key. If a different node name is entered, log in as superuser when completing the installation report, and change the actual node name value with the **uname -S** command.

6. When the <Return> key is pressed, prompting occurs, one field at a time, for additional information about the site. After a field is completed, press the <Return> key to move to the next field.

Company:	Lucent Technologies
Street address:	55 Fairbanks Blvd
City:	Marlboro
State or Country:	MA

Zip:

01752

The script then prompts you to enter the sales order number.

Sales Order Number: **113370**

Find the order number (ORDER NO) on the picklist, as shown **in bold** below.

```

Report Name: COP-3136          S.O. PICKLIST          Page: 1
Report Date: 05/15/99        =====

          BILL OF MATERIAL EFFECTIVITY DATE: 05/15/99

ORDER NO.:   US 113370
SHIP-TO:    01923          BILL-TO:01932          SID TECH: J. Bond
            Company X          Company X
            55 Main Blvd.      55 Main Blvd.      SHIPPER: XXX Inc.
            Boston, MA 02116   Boston, MA 02116
            USA                USA          CPU SER:60029 RA KIT: N
  
```

7. The script then prompts you to enter the CPU (cabinet) serial number. Find the CPU serial number (CPU SER) on the picklist (see this number **bolded** in sample picklist below) or on a bar code sticker on the rear of the cabinet. (See Figure 6.1)

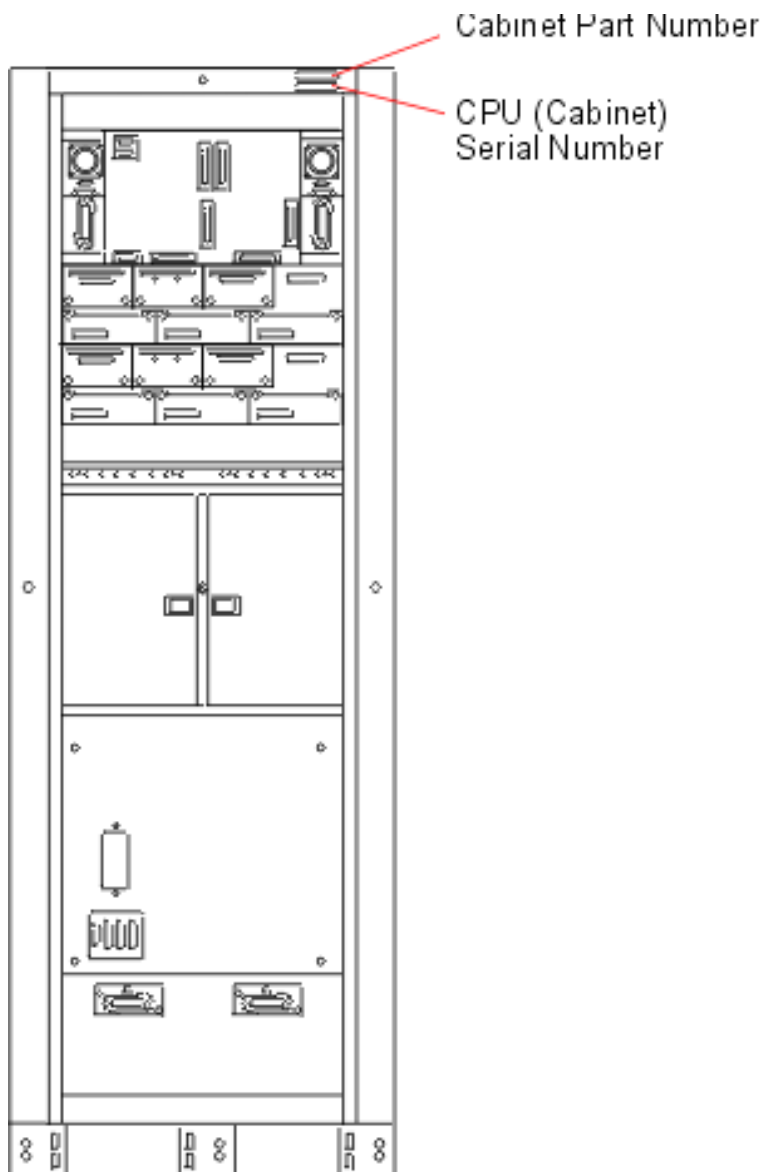
```

Report Name: COP-3136          S.O. PICKLIST          Page:
Report Date: 05/15/99        =====

          BILL OF MATERIAL EFFECTIVITY DATE: 05/15/99

ORDER NO.:   US 113370
SHIP-TO:    01923          BILL-TO:01932          SID TECH: J. Bond
            Company X          Company X
            55 Main Blvd.      55 Main Blvd.      SHIPPER: XXX Inc.
            Boston, MA 02116   Boston, MA 02116
            USA                USA          CPU SER:60029 RA KIT: N
  
```

Figure 6.1. Cabinet Part Number and Serial Number



8. The script also prompts you to enter the following information.

```
System Administrator:      Beth Smith
System Admin Phone No.:   1-508-999-9898
Installer:                Beth Smith
Total Install Hours:      5
Is the RSN installed (yes/no)? y
```

```
User Name for CAC Access: beths
```

9. The script then prompts you to enter the password for the CAC user specified when the RSN was configured. For more information, [See Configuring the RSN and C419/C619 Modem.](#)

```
Password for CAC User:    beths
```

10. The script then prompts you to enter the RSN password specified when the RSN was configured. For more information, [See Configuring the RSN and C419/C619 Modem.](#)

```
RSN Password
(prompt <return>, if not set):  (your password)
Modem Phone Number
(Include area/country code):   (your modem phone number)
```

11. The script then asks seven yes/no questions about your experience with the installation process. After entering **y** (yes) or **n** (no) in response to a question, press the <Return> key to move to the next question.

Although the use of the name Stratus is retained throughout the scripts, the references below pertain to Lucent.

```
** Answer the following 7 yes/no questions to complete the data entry
portion of the install report. **
```

```
Was your Stratus system delivered when expected (yes/no)?
```

```
Did the hardware, software, and documentation received match
your order (yes/no)?
```

```
Were you able to properly prepare your environment using the Stratus
supplied Site Preparation documentation (yes/no)?
```

```
Were you able to successfully install your system by utilizing the
Stratus supplied product Installation documentation (yes/no)?
```

```
Were there any hardware installation problems (yes/no)?
```

```
Were there any software installation problems (yes/no)?
```

```
Would you like to add any general comments (yes/no)?
```

12. If you answered **y** (yes) to the final question in step 11, the script prompts you for your comments. Please enter your name after your comments so that Lucent can contact the site if necessary. After the final comment, press the <Return> key, enter a dollar sign (\$) on the new line, and then press the <Return> key again.

```
Enter general comments now.
```

```
(To end input, enter a line containing just a '$', then <return>).
```

```
The installation went well.
```

```
(your name) <Return>
```

```
$ <Return>
```

When you enter the dollar sign (\$), the script indicates that the report is complete.

```
End of interactive data input.
```

```
Creating the Install Report ...
```

```
Report Complete!
```

13. The script then prompts you to specify where to send the installation report. After entering a selection (1, 2, or 3), press the <Return> key.

```
The following are the options available for providing Stratus
or a Distributor/VAR with an install report.
```

```
(1) Send via RSN to regional support HUB.
```

```
(Note: RSN must be installed)
```

```
(2) Mail via Internet.
```

```
(Note: Access to the Internet is required)
```

```
(3) Save to file in /tmp.
```

```
Enter Selection (1 2 3):
```

14. After a method is chosen, refer to the next section, "Sending an Installation Report to the CAC," for report-sending instructions.

6.2 Sending an Installation Report to the CAC

The following sections, Sending the Installation Report Via the RSN , Sending the Installation Report Via the Internet , and Saving the Installation Report to a Temporary File, describe methods for sending the installation report to the CAC.

NOTE

A version of the installation report is *always* automatically saved in the `/tmp` directory. The contents of the `/tmp` directory are deleted by certain programs each time the system reboots. To permanently save the installation report, move it to a *secure* directory; since the report contains password information.

6.2.1 Sending the Installation Report Via the RSN

If the value **1** is specified on the `install_report` script to send the installation report to a Lucent CAC hub via the RSN, the script displays the following information.

```
Enter Selection (1 2 3): 1
Queueing Install Report on RSN to be sent to Support HUB....
Queueing Complete!

Creating a permanent copy of the temporary install report /tmp/IRF2222 as
/tmp/INRP0123:0916.

** Install Report Process Finished **

The installation is now complete.
```

6.2.2 Sending the Installation Report Via the Internet

If the value **2** is specified on the `install_report` script to send the installation report to a Lucent CAC hub via the Internet, the script displays the following prompt. Specify the number that corresponds to the site location.

```
Enter Selection (1 2 3): 3
Mail is based on location of system being installed.

Location options:
(1) Europe/Middle East/Africa
(2) Asia/Far East/Australia/Oceania
(3) North, Central, and South America
(4) User specified mail address

Enter Selection (1 2 3 4): 3

Sending Mail ....
Mailing Complete!

Creating a permanent copy of the temporary install report /tmp/IRF2232 as
/tmp/INRP0123:0925.

** Install Report Process Finished **
```

The installation is now complete.

6.2.3 Saving the Installation Report to a Temporary File

In situations where the installation report must be sent at a later date via the RSN or Internet, or if the contents of the report to CAC personnel are read during a voice telephone call, specify the value **3** on the **install_report** script to save the installation report to a temporary file. The script displays the following information.

NOTE

A version of the installation report is *always* automatically saved in the */tmp* directory. The contents of the */tmp* directory are deleted by certain programs each time the system reboots. To permanently save the installation report, move it to a *secure* directory; since the report contains password information.

```
Enter Selection (1 2 3): 3
Copying temporary install report /tmp/IRF2383 to /tmp/INRP0123:0930.

** Install Report Process Finished **
```

When the installation report is sent to the CAC, the installation is complete.

6.3 Sample Installation Report

This section provides a sample installation report generated by the **install_report** script.

(FTX Customer_Installation_Reporter - Rev 2.3)

```
Installation of a Lucent Module at: Lucent Technologies Inc

Date of Install Report:=====> Wed May 14 09:20:46 EST 1999
Type of Installation:=====> Installation
Product Installed:=====> Module
Site_Id:=====> cac_ux
System/Module Name:=====> cac_ux
Company:=====> Lucent Technologies Inc.
Address:=====> 55 Fairbanks Blvd
City:=====> Marlboro
State or Country:=====> MA
Zip:=====> 01752
Sales Order Number:=====> 113370
Module Serial Number:=====> 60029
System Administrator:=====> Joe Smith
System Admin Phone No.:=====> 1-999-767-9898
Installed by:=====> Joe Smith
Total Install Time:=====> 5
HP-UX Release=====>11.00.01
Model Type:=====> 412
Chassis Type:=====> 4 Slot
RSN Installed:=====> YES
User Name for CAC Access:=====> sracsx
Password for CAC User:=====> cacpolo
RSN Password (`NONE`= Not Set):=> cacpolo
Modem Phone Number:=====> 1-999-767-5342

Was your Stratus system delivered when expected? ==> YES

Did the hardware, software, and documentation received match
your order? ==> YES

Were you able to properly prepare your environment using the
Stratus supplied Site Preparation documentation? ==> YES
```

Were you able to successfully install your system by utilizing the Stratus supplied product Installation documentation? ==> YES

Were there any hardware installation problems? ==> NO

Were there any software installation problems? ==> NO

Additional Comments (optional):

We have a fairly simple configuration and the installation went quite smoothly.

Beth Smith

System Hardware Configuration:

Modelx PcRv	Description Slotloc	State	Code	Flg	Serial	BdRv
E258 16	Continuum 4-slot C/0 - -	-	-	---	26	43
-	GBus	-	-	---	-	-
-	bu	-	-	---	-	-
-	GBus A	-	-	---	-	-
-	ba	-	-	---	-	-
-	GBus B	-	-	---	-	-
-	bb	-	-	---	-	-
-	Suitcase 0	-	-	---	-	-
-	sc0	-	-	---	-	-
-	Suitcase 1	-	-	---	-	-
-	sc1	-	-	---	-	-
e59400 15	Console Controller cc 0	onln	-	---	0	0
-	Console Async Port	onln	-	---	-	-
-	cc 0 0	-	-	---	-	-
-	RSN Async Port	onln	-	---	-	-
-	cc 0 1	-	-	---	-	-
-	Secondary Async Com	ofln	-	---	-	-
-	cc 0 2	-	-	---	-	-
-	Calendar Clock	onln	-	---	-	-
-	cc 0 5	-	-	---	-	-
-	Cabinet RS-485 Bus	ofln	-	---	-	-
-	cc 0 8	-	-	---	-	-
e59400 15	Console Controller cc 1	stby	-	---	0	0
-	Calendar Clock	onln	-	---	-	-
-	cc 1 5	-	-	---	-	-
-	Cabinet RS-485 Bus	ofln	-	---	-	-
-	cc 1 8	-	-	---	-	-
g27200 34	PA-RISC 96/2x360 CPU/ 0	onln	-	---	10211	31
-	Physical CPU	onln	-	---	-	-
-	0 0	-	-	---	-	-
M704	Physical MEM/2*128M	onln	-	---	-	-
-	0 1	-	-	---	-	-
-	Physical CPU	onln	-	---	-	-
-	0 2	-	-	---	-	-
g27200 34	PA-RISC 96/2x360 CPU/ 1	onln	-	---	10189	31
-	Physical CPU	onln	-	---	-	-
-	1 0	-	-	---	-	-

Chapter 6

M704	Physical MEM/2*128M	onln	-	---	-	-
-	1 1					
-	Physical CPU	onln	-	---	-	-
-	1 2					
k13800	PCI Bridge Board	onln	-	---	10992	57
-	2					
-	PCI Bus 0	onln	-	---	-	-
-	2 0					
-	PCI Physical Bus	onln	-	---	-	-
-	2 0 pci 0					
-	PCI Physical Bus	onln	-	---	-	-
-	2 0 pci 1					
pci	PPEC Bridge Cntrllr	onln	-	---	0	0
0	2 0 0					
e525	20MB Centen Flash C	onln	-	---	-	-
-	2 0 0 0					
u51000	10/100Mbps Ethernet	onln	-	---	0	0
0	2 0 2					
-	Ethernet(10 Mbps)	onln	-	---	-	-
-	2 0 2 0					
u50100	SCSI Ctlr (W/SE)	onln	-	---	42-000668	0
OST1	2 0 7					
-	SCSI port 0	onln	-	---	-	-
-	2 0 7 0					
-	Logical SCSI Cab 0	onln	-	---	-	-
-	2 0 7 0 cab					
-	SCSI Port 1	onln	-	---	-	-
-	2 0 7 1					
-	Logical SCSI Cab 1	onln	-	---	-	-
-	2 0 7 1 cab					
-	SCSI Port 2	stby	-	---	-	-
-	2 0 7 2					
-	Logical SCSI Cab 2	stby	-	---	-	-
-	2 0 7 2 cab					
k13800	PCI Bridge Board	onln	-	---	10163	31
-	3					
-	PCI Bus 0	onln	-	---	-	-
-	3 0					
-	PCI Physical Bus	onln	-	---	-	-
-	3 0 pci 0					
-	PCI Physical Bus	onln	-	---	-	-
-	3 0 pci 1					
pci	PPEC Bridge Cntrllr	onln	-	---	0	0
0	3 0 0					
e525	20MB Centen Flash C	onln	-	---	-	-
-	3 0 0 0					
u50100	SCSI Ctlr (W/SE)	onln	-	---	42-000191	0
OST1	3 0 7					
-	SCSI Port 0	onln	-	---	-	-
-	3 0 7 0					
-	Logical SCSI Cab 0	onln	-	---	-	-
-	3 0 7 0 cab					
-	SCSI Port 1	stby	-	---	-	-
-	3 0 7 1					
-	Logical SCSI Cab 1	stby	-	---	-	-
-	3 0 7 1 cab					
-	SCSI Port 2	onln	-	---	-	-
-	3 0 7 2					
-	Logical SCSI Cab 2	onln	-	---	-	-
-	3 0 7 2 cab					

Chapter 6

-	Virtual SCSI Bus 0	onln	-	---	-	-
-	vsb 0					
-	Virtual SCSI Tray	-	-	---	0	0
-	vsb 0 0					
d84200	18GB SCSI Disk Drive	onln	-	---	12749	-
0016	vsb 0 0 0					
-	Virtual SCSI Tray	-	-	---	0	0
-	vsb 0 1					
d84200	18GB SCSI Disk Drive	onln	-	---	12544	-
0016	vsb 0 1 0					
-	Virtual SCSI Cab 0	-	-	---	-	-
-	vsb 0 cab					
-	Virtual SCSI Bus 1	onln	-	---	-	-
-	vsb 1					
-	Virtual SCSI Tray	-	-	---	0	0
-	vsb 1 0					
d84200	18GB SCSI Disk Drive	onln	-	---	12762	-
0016	vsb 1 0 0					
-	Virtual SCSI Tray	-	-	---	0	0
-	vsb 1 1					
d84200	18GB SCSI Disk Drive	onln	-	---	12405	-
0016	vsb 1 1 0					
-	Virtual SCSI Cab 1	-	-	---	-	-
-	vsb 1 cab					
-	Virtual SCSI Bus 2	onln	-	---	-	-
-	vsb 2					
-	Virtual SCSI Tray	-	-	---	0	0
-	vsb 2 0					
t80500	4mm DAT Tape Drive	onln	-	---	-	-
9503	vsb 2 0 0					
-	Virtual SCSI Cab 2	-	-	---	-	-
-	vsb 2 cab					
-	Virtual SCSI Bus 3	onln	-	---	-	-
-	vsb 3					
-	Virtual SCSI Cab 3	-	-	---	-	-
-	vsb 3 cab					
cab	ACU Cabinet	-	-	---	-	-
-	cab 0					
e25500	ACU	-	-	---	-	-
-	cab 0 acu 0					
e25500	ACU	-	-	---	-	-
-	cab 0 acu 1					
d820	Disk Tray	-	-	---	-	-
-	cab 0 tra 0					
d820	Disk Tray	-	-	---	-	-
-	cab 0 tra 1					
e611	Tray Fan	-	-	---	-	-
-	cab 0 trfn					
e611	Tray Fan	-	-	---	-	-
-	cab 0 trfn					
e611	Tray Fan	-	-	---	-	-
-	cab 0 trfn					
e611	Tray Fan	-	-	---	-	-
-	cab 0 trfn					
p272	PCI Power	-	-	---	-	5
-	cab 0 pwr 0					
p272	PCI Power	-	-	---	-	5
-	cab 0 pwr 1					
p271	Disk Power	-	-	---	-	4
-	cab 0 dps 0					

Chapter 6

p271	Disk Power	-	-	---	-	4
-	cab 0 dps 1					
p274	Main breaker	-	-	---	-	-
-	cab 0 mps 0					
p274	Main breaker	-	-	---	-	-
-	cab 0 mps 1					

Appendix A. Fault Isolation

This section contains information used to troubleshoot faults in the system. It contains the following subsections:

- Component Status LEDs
- System Error Log

A.1 Component Status LEDs

A.1.1 General LED information

LEDs can be in a three color arrangement, a two color arrangement or a single light. General explanations of these categories follow

A.1.1.1 Three Color LED Arrangements

Most component status LEDs are grouped in threes, they are in a traffic-light configuration (red on top, yellow in the middle, green on the bottom).

Generally, when a status light is illuminated, it indicates one of the following conditions*:

- A red light indicates that the component is not functioning properly. In most cases, the component is broken and needs to be replaced.
- A yellow light indicates that the component is simplexed--that is, operating without a partner. Do not remove this component. The yellow light is illuminated when the component is in the process of configuring itself with its partner or when its partner has failed. Yellow LEDs can also indicate that a component is performing a self-test. In most cases, removing a yellow-lit part from the system causes its function to be suspended (except in the PCI card cage on HP-UX systems).
- A green light indicates that the component is operating properly

* For the DNCP Series 400 (PA-8500), the Tray 1 Rectifier LED configuration is green/green/red, as explained in section A.2.1.2a

A given status LED can also flash or remain steadily lit in combination with another status LED to indicate other operating conditions, such as system power-up.

A.1.1.2 Two Color LED Arrangements

The disk drives and disk power supplies in the disk shelf (PSU0 and PSU1) have only two LEDs, red and green. When a status light is illuminated, it indicates one of the following conditions:

- a red and green light indicates a fault with the disk power supply.
- a red light indicates a fault with the disk drive.
- a green light on the PSU indicates that the system is operating properly.
- a flashing green light on the disk drive indicates activity

A.1.1.3 Single LEDs

Appendix - Fault Isolation

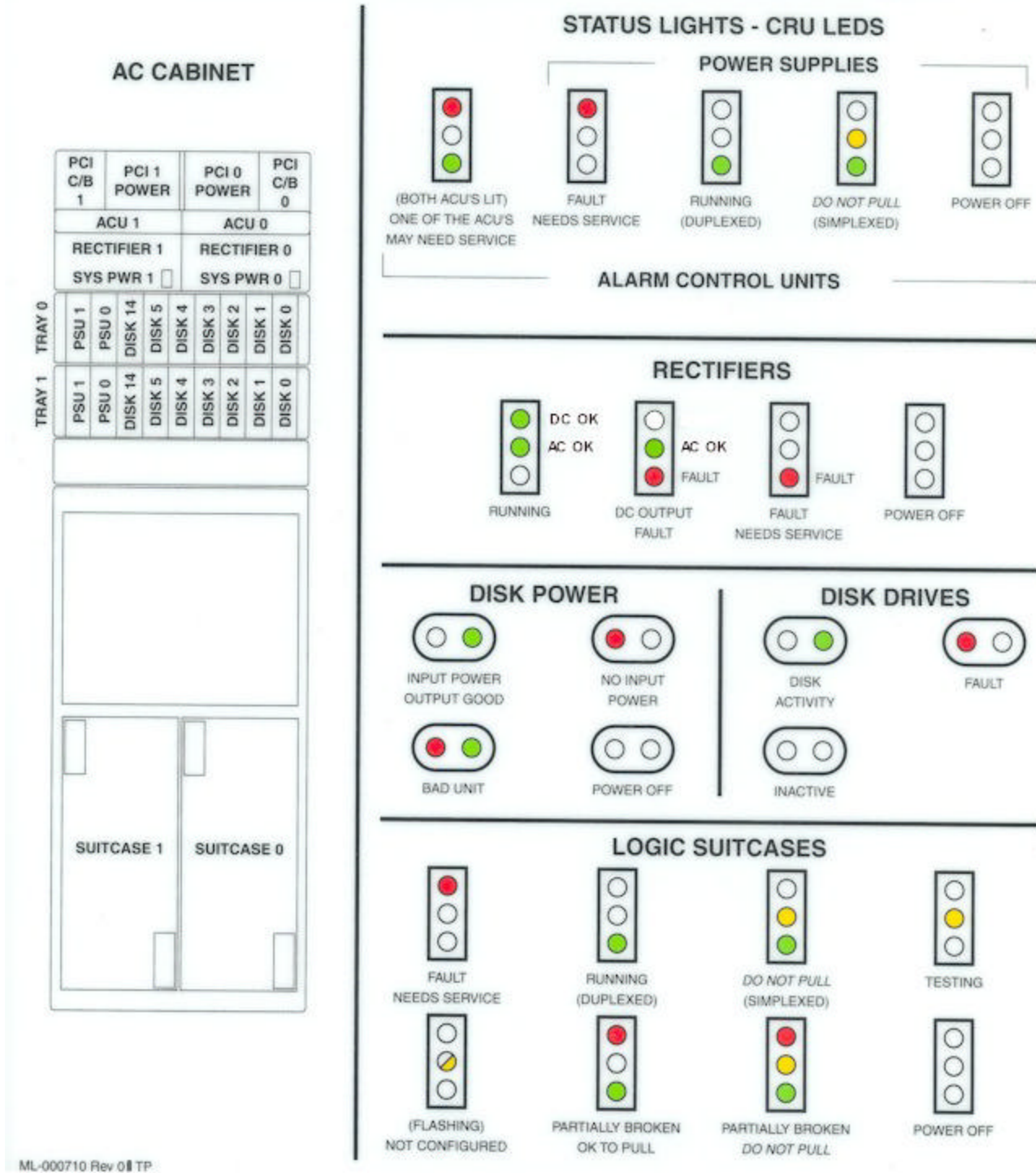
- If the amber *cabinet fault* LED (at the very top of the cabinet-- front and rear) is illuminated, a CRU within the cabinet has produced an error condition. [Both cabinet fault lights (one front and one rear) are lit when one or more components within the cabinet has failed.]
- If the amber *PCI fault* status LED is lit, there is an error within the PCI card cage. The PCI Fault status LED is located on the front of the cabinet, at the bottom of the disk shelves.
- There are a number of red or green *disk shelf* LEDs in the disk shelf (rear), these are explained in section A.2.2.X

A.2. System Component LEDs

The following label, found on the cabinet, shows possible states for component LEDs and describes their meanings.

Figure A-1. Component Status Lights

Appendix - Fault Isolation



A.2.1 Power Supply LEDs

A.2.1.2 -Tray 1 Rectifier status LEDs

LED	State	Meaning
-----	-------	---------

Appendix - Fault Isolation

Green	On	DC output power good.
Green	On	AC input power good.
Red	Off	
Green	Off	
Green	On	AC input power good.
Red	On	DC output power fault.
Green	Off	
Green	Off	Unit faulty and needs service.
Red	On	
Green	Off	
Green	Off	Power is off.
Red	Off	

A.2.2 Disk Shelf LEDs

A.2.2.1 Disk Power Supply LEDs

A.2.2.3 SE/LVD Terminator Module

This unit is located above the three fan modules on the right of each of the two disk shelves (rear). Since the terminator should always be in SE mode:

- The green LED over "SE" on the right should be on
- The green LED over "LVD" (Low Voltage Differential) should not be on.

A.2.2.4 SES Unit Module

This unit is located above the three fan modules at the top middle of each of the two disk shelves. There is a LED above the word "Temp", this LED is not used and should not be on. Next to "Temp" there is a "Mute" knob, this also is not used and shouldn't be touched.

A.2.2.5 SE-SE I/O Repeater Module

This unit should be located above the three fan modules at the top left of each of the two disk shelves (rear). There are no LEDs to be concerned with in the SE-SE I/O Repeater Module.

A.2.2.6 Fan Units (3)

Three fan units are located on the bottom part of each of the disk shelves (rear).

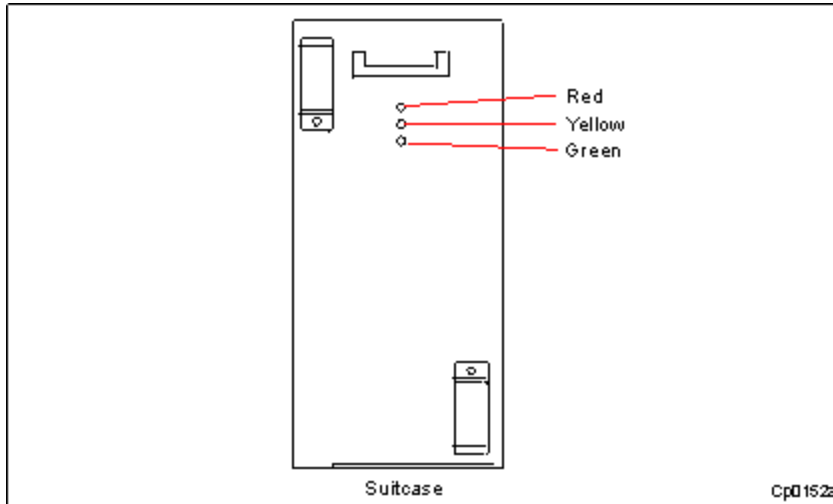
Appendix - Fault Isolation

The red LEDs in the Fan units should not be illuminated. If a red LED is on in one of the fan units, that unit should be replaced as soon as possible (the system is capable of running with only two fans but it is recommended that all three fans be operational at all times).

A.2.3 Suitcase LEDs

In this section, refer to Figure A-3 for an illustration of the suitcase LEDs.

Figure A-3. Suitcase with LEDs identified

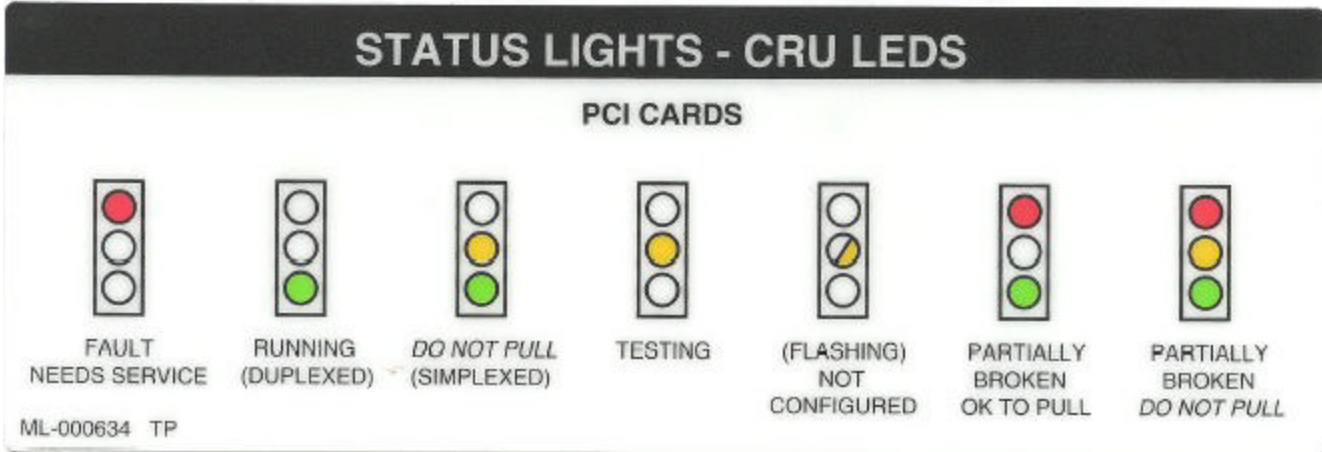


A.2.3.1 Suitcase Power-On LED Sequence

A.2.4 PCI Card LEDs

Figure A-4, the PCI card cage label, found on the PCI card cage (cabinet front), shows possible states for PCI LEDs and describes their meanings.

Figure A-4. PCI Card Cage Label



A.3 System Log and Status Messages

System logs contain information concerning major system events and the time they occurred which can help detect and evaluate system problems. Each time a significant event occurs, the syslog message logging facility enters an error message into the systemlog at `/var/adm/syslog/syslog.log`. Depending upon the severity of the error and the phase of system operation, the same message might also be displayed on the console.

System messages and fault codes are subject to change. For the most current system message information, please refer to the recent version of the *HP-UX Operating System: Fault Tolerant System Administration (R1004H-04-ST)*.

Several HP-UX commands provide status information about components or services. These commands are listed in the following table.

Command	Type of Information
<code>ftsmaint</code> and <code>ioscan</code>	Hardware information
<code>sar</code>	System performance information
<code>sysdef</code>	Kernel parameter information
<code>lp</code> and <code>lpstat</code>	Print services information
<code>ps</code>	Process information
<code>pwck</code> and <code>grpck</code>	Password inconsistencies information
<code>who</code> and <code>whodo</code>	Current user information
<code>ifconfig</code> , <code>netstat</code> , <code>ping</code> , <code>uustat</code> , and <code>lanscan</code>	Network services information
<code>ypcat</code> , <code>ypmatch</code> , <code>yppoll</code> , and <code>ypwhich</code>	Network Information Service (NIS) information
<code>df</code> and <code>du</code>	Disk and volume information

A.4 Component Status

The `ftsmaint ls` command lists the components in the system and identifies any components that have been removed from service. The list serves as a simple troubleshooting tool to verify that all the components are present and shows their status (in/out of service). Refer to [PA-8500 Continuum Series 400 Technical Service Guide \(HP-UX systems\), Section 2.6.3](#) to view a sample `ftsmaint ls` output screen.

A.4.1 Software State Information

The system creates a node for each hardware device that is either installed or listed in the `/stand/ioconfig` file.

The `State` field in the `ftsmaint ls` display can show a hardware component to be in any one of the software states shown in the following table.

State	Meaning
UNCLAIMED	Initialization state, or hardware exists, and no software is associated with the node.
CLAIMED	The driver recognizes the device.
ERROR	The device is recognized, but it is in an error state.
NO_HW	The device at this hardware path is no longer responding.
SCAN	Transitional state that indicates the device is locked. A device is temporarily put in the <code>SCAN</code> state when it is being scanned by the <code>ioscan</code> or <code>ftsmaint</code> utilities.

The software state of a hardware component can change. For example, a component is initially created in the `UNCLAIMED` state when it is detected at boot time. The component moves to the `CLAIMED` state when it is recognized and claimed by the appropriate driver. The transitions between the various software states are controlled by the `ioscan` and `ftsmaint` utilities.

A.4.2 Hardware Status Information

In addition to a software state, each hardware component has a particular hardware status. The `Status` field in the `ftsmaint ls` display can have any of the values shown in the following table.

Status	Meaning
Online	The device is actively working.
Online Standby	The device is not logically active, but it is operational. Using the <code>ftsmaint switch</code> or <code>ftsmaint sync</code> command can be used to change the device status to <code>Online</code> .
Duplexed	The status is appended to the <code>Online</code> status to indicate that the device is fully duplexed.
	The status is appended to the <code>Online</code> or <code>Online Standby</code> status to indicate that the

Appendix - Fault Isolation

Duplexing	device is in the process of duplexing. This transient status is displayed after the <code>ftsmaint sync</code> or <code>ftsmaint enable</code> command has been used on the CPU-Memory board.
Offline	The device is not functional or not being used.
Burning PROM Offline Standby	The <code>ftsmaint burnprom</code> command is in progress on the device. The suitcase stays in offline standby when burning PROM.

The status of a hardware component can change. For example, a component could go from `online` to `Offline` because of a hardware or software error.

A.5 Fault Codes

The fault tolerant services return fault codes when certain events occur. Fault codes are displayed by the `ftsmaint ls` command in the `FCODE` field and by the `ftsmaint ls -l` command in the `Fault Code` field. The following table lists and describes the fault codes.

Short Format ls Format	Long Format ls -l Format	Explanation
2FLT	Both ACUs Faulted	Both ACUs are faulted.
ADROK	Cabinet Address Frozen	The cabinet address is frozen.
BLINK	Cabinet Fault Light Blinking	The cabinet fault light is blinking.
BPPS	BP Power Supply Faulted/Missing	The BP power supply is either faulted or missing.
BRKOK	Cabinet Circuit Breaker(s) OK	The cabinet circuit breaker(s) are OK.
CABACU	ACU Card Faulted	The ACU card is faulted.
CABADR	Cabinet Address Not Frozen	The cabinet addresses are not frozen.
CABBFU	Cabinet Battery Fuse Unit Fault	The cabinet battery fuse unit fault occurred.
CABBRK	Cabinet Circuit Breaker Tripped	A circuit breaker in the cabinet was tripped.
CABCDC	Cabinet Data Collector Fault	The cabinet data collector faulted.
CABCEC	Central Equipment Cabinet Fault	A fault was recorded on the main cabinet bus.
CABCFG	Cabinet Configuration Incorrect	The cabinet contains an illegal configuration.
CABDCD	Cabinet DC Distribution Unit Fault	A DC distribution unit faulted.
CABFAN	Broken Cabinet Fan	A cabinet fan failed.
CABFLT	Cabinet Fault Detected	A component in the cabinet faulted.
CABFLT	Cabinet Fault Light On	The cabinet fault light is on.

Appendix - Fault Isolation

CABLE	PCI Power Cable Missing	This PCI backpanel cable is not attached.
CABPCU	Cabinet Power Control Unit Fault	A power control unit faulted.
CABPSU	Cabinet Power Supply Unit Fault	A power supply unit faulted.
CABPWR	Broken Cabinet Power Controller	A cabinet power controller failed.
CABTMP	Cabinet Battery Temperature Fault	A cabinet battery temperature above the safety threshold was detected.
CABTMP	Cabinet Temperature Fault	A cabinet temperature above the safety threshold was detected.
CDCREG	Cabinet Data Registers Invalid	The cabinet data collector is returning incorrect register information. Upgrade the unit.
CHARGE	Charging Battery	A battery CRU/FRU is charging. To leave this state, the battery needs to be permanently bad or fully charged.
DSKFAN	Disk Fan Faulted/Missing	The disk fan either faulted or is missing.
ENC OK	SCSI Peripheral Enclosure OK	The SCSI peripheral enclosure is OK.
ENCFLT	SCSI Peripheral Enclosure Fault	A device in the tape/disk enclosure faulted.
FIBER	Cabinet Fiber-Optic Bus Fault	The cabinet fiber-optic bus faulted.
FIBER	Cabinet Fiber-Optic Bus OK	The cabinet fiber-optic bus is OK.
HARD	Hard Error	The driver reported a hard error. A hard error occurs when a hardware fault occurs that the system is unable to correct. Look at the <code>syslog</code> for related error messages.
HWFLT	Hardware Fault	The hardware device reported a fault. Look at the <code>syslog</code> for related error messages.
ILLBRK	Cabinet Illegal Breaker Status	The cabinet data collector reported an invalid breaker status.
INVREG	Invalid ACU Register Information	A read of the ACU registers resulted in invalid data.
IPS OK	IOA Chassis Power Supply OK	The IOA chassis power supply is OK.
IPSFIt	IOA Chassis Power Supply Fault	An I/O Adapter power supply fault was detected.
IS	In Service	The CRU/FRU is in service.
LITEOK	Cabinet Fault Light OK	The cabinet fault light is OK.
MISSNG	Missing replaceable unit	The ACU on the DNCP Series 400-CO (PA-8500) is missing, electrically undetectable, removed, or

Appendix - Fault Isolation

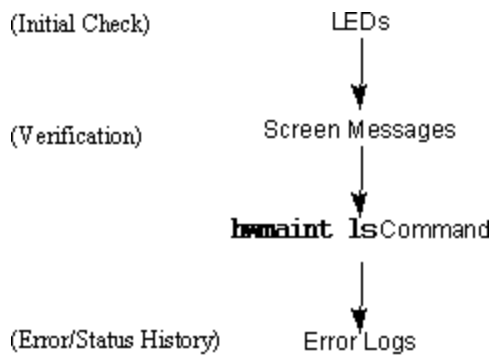
		deleted.
MTBF	Below MTBF Threshold	The CRU/FRU's rate of transient and hard failures became too great.
NOPWR	No Power	The CRU/FRU lost power.
OVERRD	Cabinet Fan Speed Override Active	The fan override (setting fans to full power from the normal 70%) was activated.
PC Hi	Power Controller Over Voltage	An over-voltage condition was detected by the power controller.
PCIOPN	PCI Card Bay Door Open	The PCI card-bay door is open.
PCLOW	Power Controller Under Voltage	An under-voltage condition was detected by the power controller.
PCVOTE	Power Controller Voter Fault	A voter fault was detected by the power controller.
PSBAD	Invalid Power Supply Type	The power supply ID bits do not match that of any supported unit.
PSU OK	Cabinet Power Supply Unit(s) OK	The cabinet power supply unit(s) are OK.
PSUs	Multiple Power Supply Unit Faults	Multiple power supply units faulted in a cabinet.
PWR	Breaker Tripped	The circuit breaker for the PCIB power supply tripped.
REGDIF	ACU Registers Differ	A comparison of the registers on both ACUs showed a difference.
SOFT	Soft Error	The driver reported a transient error. A transient error occurs when a hardware fault is detected, but the problem is corrected by the system. Look at the <code>syslog</code> for related error messages.
SPD OK	Cabinet Fan Speed Override Completed	The cabinet-fan speed override completed.
SPR OK	Cabinet Spare (PCU) OK	The cabinet spare (PCU) is OK.
SPRPCU	Cabinet Spare (PCU) Fault	The power control unit spare line faulted.
TEMPOK	Cabinet Temperature OK	The cabinet temperature is OK.
USER	User Reported Error	A user issued <code>ftsmaint disable</code> to disable the hardware device.

A.6 Troubleshooting Procedures

When a fault occurs, several things can happen. If it is a non-critical fault, the system will continue to process data. If it is a critical fault, the system (or a subsystem) may be inoperative. When troubleshooting the system, determine the fault first by using the LEDs and screen messages. Then, verify that the component(s) is out of service using the `ftsmaint ls` command ([PA-8500 Continuum Series 400 Technical Service Guide \(HP-UX systems, Section 2.6.3\)](#)), error logs, and diagnostic tests. This flow is shown in the Troubleshooting Flow below.

Appendix - Fault Isolation

Troubleshooting Flow



When troubleshooting system faults, use the following process:

- Check the console terminal for fault information.
- Locate the failed component(s) using the LEDs.
- Verify the component is bad by using software commands/error logs.
- Remove and replace the failed component.
- Check to make sure the problem is resolved.

Free Manuals Download Website

<http://myh66.com>

<http://usermanuals.us>

<http://www.somanuals.com>

<http://www.4manuals.cc>

<http://www.manual-lib.com>

<http://www.404manual.com>

<http://www.luxmanual.com>

<http://aubethermostatmanual.com>

Golf course search by state

<http://golfingnear.com>

Email search by domain

<http://emailbydomain.com>

Auto manuals search

<http://auto.somanuals.com>

TV manuals search

<http://tv.somanuals.com>