

565DG Drop Arm - 565TG Tilt-in-Space Ortho-Biotic Preferred Care[®] Recliners

Operating Instructions



GF0500044A05RevA05

© Graham-Field Health Products 2005

**IMPORTANT: READ THIS MANUAL BEFORE OPERATING
YOUR ORTHO-BIOTIC PREFERRED CARE RECLINER**

WARNINGS

- ⚠ **Warning: Read entire sheet before assembly or operation.**
- ⚠ **Warning: Casters must be locked at all times, except during transit.**
- ⚠ **Warning: This product should not be used without proper instruction from a health care professional.**
- ⚠ **Warning: GF/Lumex assumes no responsibility for damage or injury caused by the improper installation, assembly or use of these products.**
- ⚠ **Warning: The Tilt-in-Space and Drop Arm Recliners have a 250 lb. maximum user weight capacity.**
- Note: All dimensions and specifications are subject to change without notice.*

CARE & MAINTENANCE

Every three months:

- Check and clean casters • tighten nuts • check brakes on casters •
- check and clean lock recline mechanism •

Check recliner mechanism for operation in all positions with assistant seated in recliner.

For upholstery maintenance and stain removal, the following hints will be helpful:

Ordinary Dirt: Wash with warm water and a mild soap or detergent.

Stubborn Dirt: Using a soft bristle brush, follow directions above.

Ground-in Dirt: Scrub with powdered cleanser or similar detergent.

Chewing Gum: Scrape carefully; remove with kerosene or naphtha.

Nail Polish and Remover: Blot immediately to prevent damage.

Ball Point Pen: Blot immediately with a white cloth dampened in water or mineral oil.

Paint, Shoe Polish, Heel Marks: Remove immediately! Use a white cloth dampened in kerosene, naphtha or turpentine. Do not use paint remover or liquid brush cleaners.

Tars, Asphalt, Creosote: Remove to prevent staining. Clean area with kerosene or naphtha.
Caution: When using kerosene or naphtha, do so in a well ventilated area and keep away from fire and flame.

Waxing and Refinishing: Improves wearability. Use any quality paste wax.

Excrement: Remove immediately! Clean with a diluted solution of 10% (or less) of bleach or Clorox.

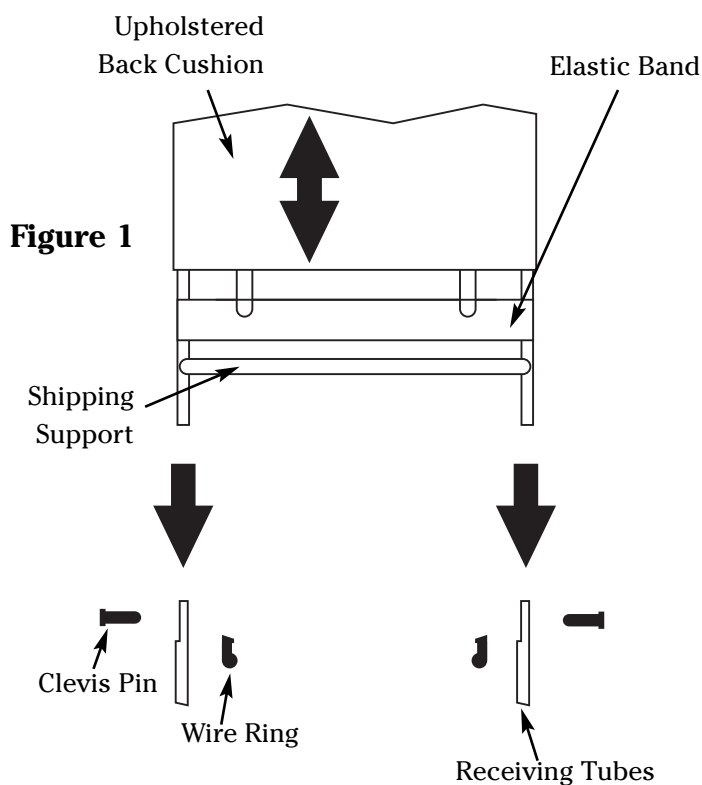
UNPACKING INSTRUCTIONS

1. Unpack and inspect contents for shipping damage or missing parts. If parts are damaged or missing, contact your dealer immediately. The contents of this package should be:
 - One (1) Recliner frame with upholstered seat.
 - One (1) Upholstered back.
 - Two (2) Upholstered side panels.
 - Two (2) Pins with wire rings.
2. Do not remove the shipping support which is attached to the recliner's upholstered back until after the recliner's upholstered back has been assembled to the chair.
3. Save this booklet in a safe place for future reference.

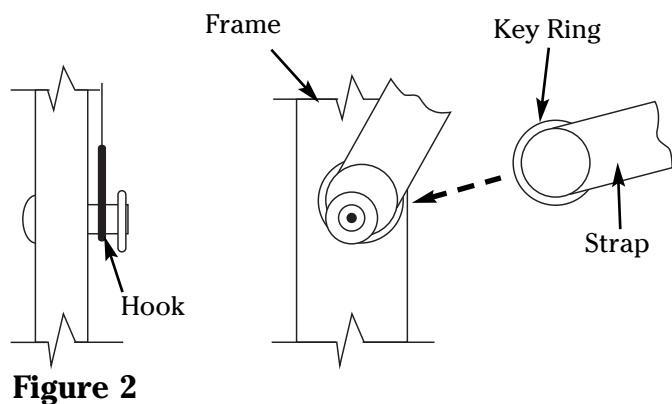


BACK ASSEMBLY

NOTE: Do not remove the shipping support which is attached to the recliners upholstered back until after the recliner's upholstered back has been assembled to chair.



1. Obtain upholstered back assembly. Remove the upholstered cushion from the metal back frame (See fig. 1).
2. Remove pins and wire rings from frame (See fig 1).
3. Slide back tubes onto receiving tubes on frame and tap down until holes in back line up with holes in frame (See fig. 1).
4. Replace pins and wire rings. Remove the shipping support and discard (See fig 1).
5. Slide the lower elastic band on back to cover pins. Position other straps evenly. The 2" elastic bands can be adjusted for custom comfort.
6. At the bottom of the cushion you will find two elastic straps with key rings on the ends (one on each side). Replace back cushion over metal frame. Attach each ring to the hook on the frame next to the seat rings (See fig 2).



SIDE PANEL ASSEMBLY

1. Face the side panel cut out towards the front of the chair.
2. Line up the panel's spring clips with the round tubes on the frame. Push against the panels side until the clips are secured to the frame.
3. Slide the panel up or down until the panel is flush with the top of the frame (See fig 3).
4. Repeat above steps for the opposite side.

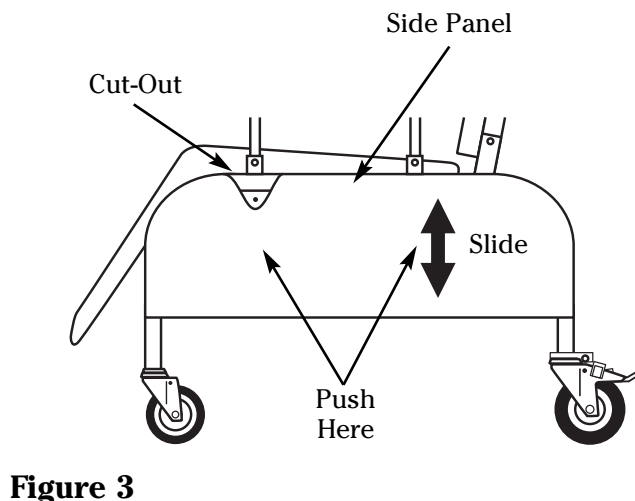


Figure 3

CASTER OPERATION

NOTE: This chair is equipped with four swivel casters for improved maneuverability. The rear casters are also equipped with locking features.

Lock: To prevent the rear casters from swiveling and wheel turning, step on the rear pedal of the caster until it latches (See fig 4).

Unlock: Step on middle button to unlatch (See fig. 4).

SWIVEL LOCK PEDAL OPERATION

NOTE: The swivel lock feature will aid the chair in rolling straight.

Lock: To engage, push down on black swivel lock pedal and roll the recliner forward (See fig. 5).

Unlock: Lift on the side of the pedal.

DROP ARM OPERATION

⚠ Warning: Before operating, insure that the patients extremities (i.e., hands, legs, limbs) are clear of the path of the armrest.

NOTE: There are three armrest positions. To lower or raise the armrest, locate the push button on the side of the chair. Press the button to release and adjust armrest to the desired position (See fig. 6).

Figure 4

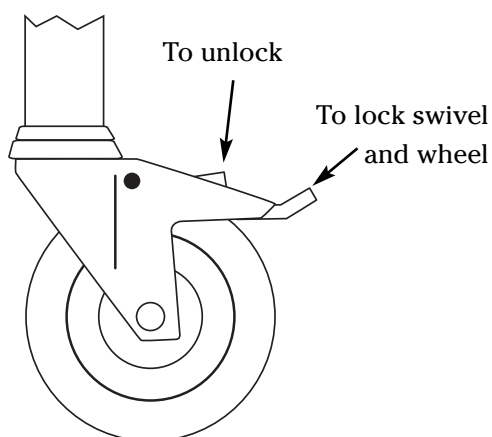


Figure 5

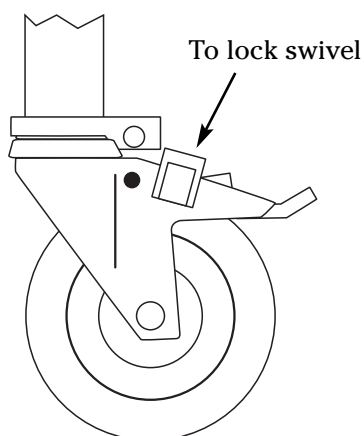
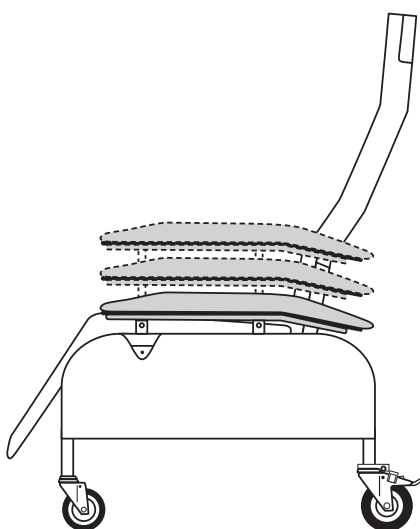


Figure 6



CORRECT SEAT POSITIONING

OCCUPANT OPERATED

To recline, place hands on armrests and lean against the back until the desired position is obtained (See fig. 7).

To return to seated position, place hands on armrests and lean forward while pressing legs down against the legrest

ATTENDANT OPERATED

Release the recliners position stop.

Use handgrip to adjust recliner to desired position.

Engage recliner stop.

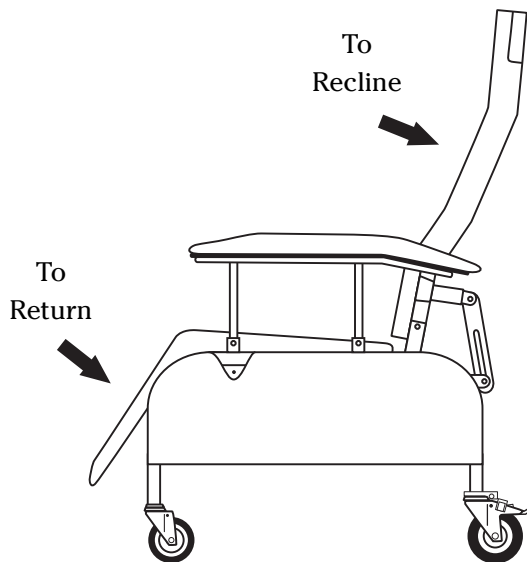


Figure 7

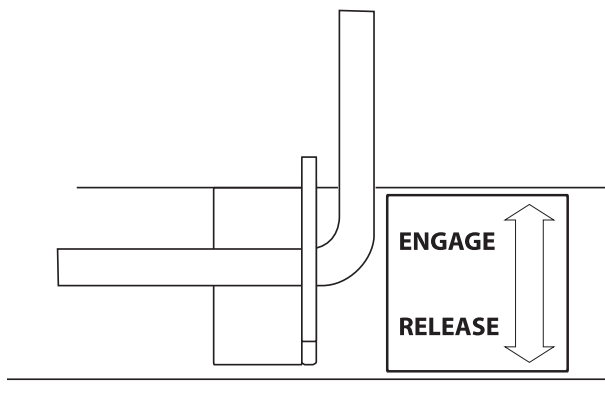


Figure 8

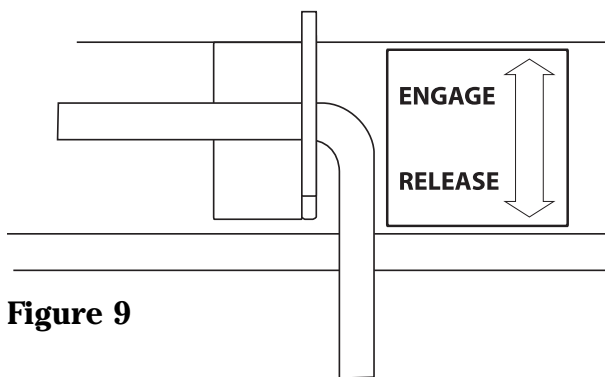


Figure 9

OPERATION OF THE POSITION MECHANISM

NOTE: Casters must be locked.

1. To hold recliner in any position, rotate handle to point up (See fig. 8).
2. To release position mechanism, turn the handle to point down (See fig. 9).

NOTE: The position mechanism is factory set. If the position mechanism does not hold, follow Adjustment Instructions for the position mechanism. The plate has 5 position marks for repeatable positions (See fig. 13).

565G UPHOLSTERY REMOVAL AND REPLACEMENT

BACK CUSHION

To remove: Release the two elastic straps which hold the button of the cushion to the back frame with small wire clips (See fig. 10).

Grip top of cushion near back frame handgrips and slide up and off.

To replace: Reverse procedure.

SEAT-LEG CUSHION

To remove: Release the two elastic straps which hold the cushion to the back frame with small wire rings (See fig. 11).

Adjust the chair into the semi-recline position.

Flip the seat cushion forward and release the two hooks which hold the cushion to legrest frame (See fig. 12).

Slide the cushion downward and forward.

To replace: Reverse procedure.

ARM PANELS

To remove: Grip the steel rod at the bottom of the side panel, located near the front of the side frame. Gently slide the rod backward. Flex the rod slightly until it disengages (See fig. 12).

Detach the four screws from under the side frame arm plate.

To replace: Reverse procedure.



Figure 10

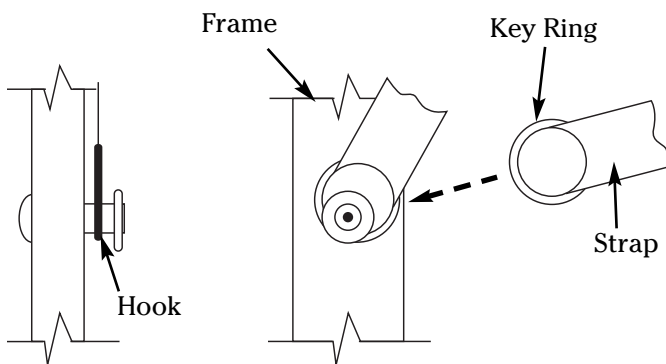


Figure 11



Figure 12

RECLINER POSITIONING MECHANISM TROUBLE-SHOOTING

ADJUSTMENT INSTRUCTIONS FOR POSITION MECHANISM

*NOTE: Never lubricate the position
mechanism assembly.*

1. Turn the position adjustment handle down to the release position, and remove clevis pin and wire ring from top of assembly. (See fig. 13).
2. Slide positioning plate up, and turn square washer clockwise until snug (See fig. 13).
3. Slide the positioning plate down over square washer. Replace clevis pin and wire ring.
4. The position mechanism's handle should engage at about the half way point. If more tension is desired, repeat the above procedure.

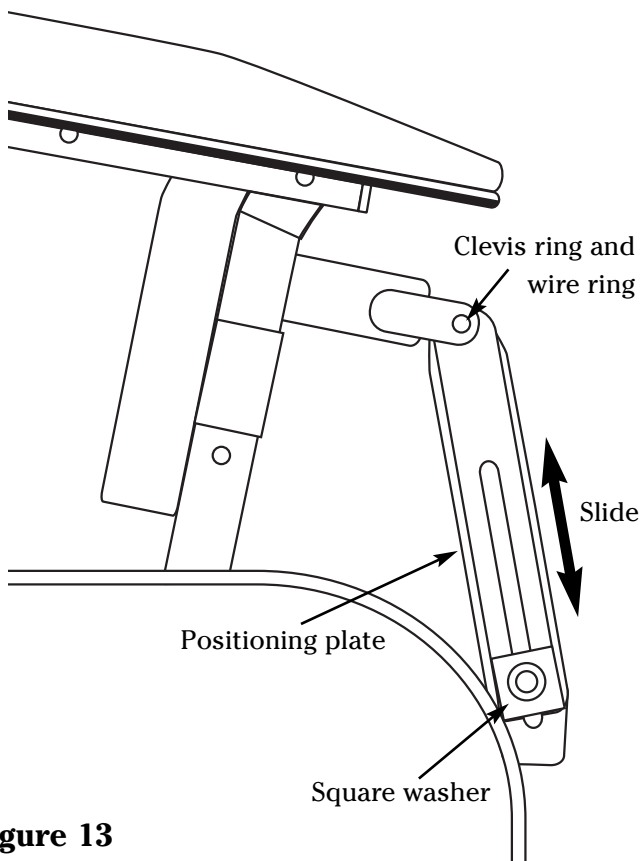


Figure 13

TILT-IN-SPACE GAS SPRING TROUBLESHOOTING

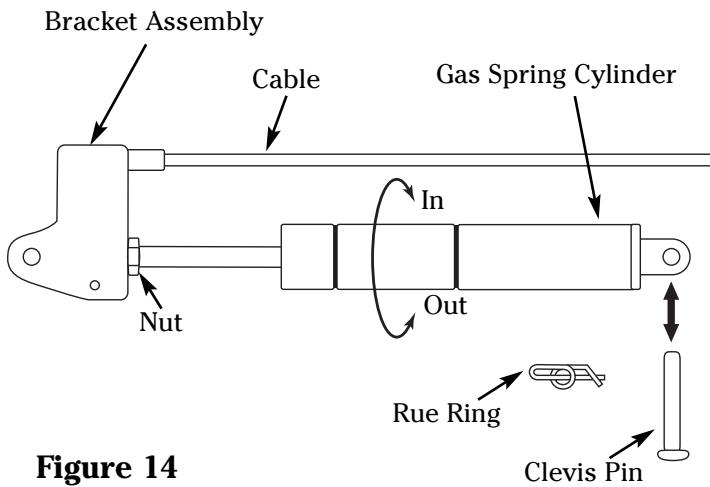


Figure 14

PROBLEM:

If the chair actuates without squeezing the release lever, the cable assembly needs to be adjusted.

CORRECTION:

1. Lean the chair on its side and remove clevis pin and wire rue ring that secure the top of the gas spring to the frame. Do not remove the cable.
2. Loosen the nut above the gas spring bracket. Rotate the gas spring out of the bracket (counterclockwise) 1/2 turn. Retighten nut on bracket, and reassemble the gas spring back to the frame. Check that cable is snapped into bracket (See fig. 14).
3. Test the operation of chair. If the chair still actuates without squeezing release lever, repeat the above procedure.

PROBLEM:

If the chair does not actuate with a person in the chair while squeezing the release lever and pushing on the back, then the cable is too loose and the assembly needs to be adjusted.

CORRECTION:

1. Ensure the cable is properly engaged onto the bracket assembly. If cable is not engaged on bracket, engage as shown in figure 15.
2. With a person in the chair, recheck cable. If problem persists, go to step 3.
3. Lean the chair on its side and remove clevis pin and wire ring that secure the top of the gas spring to the frame. Do not remove the cable.
4. Loosen the nut above the gas spring bracket. Rotate the gas spring into the bracket (clockwise) 1/2 turn. Retighten nut on bracket and reassemble the gas spring back to the frame (See fig. 14).
5. Test the operation of chair. If the chair does not actuate with a person in the chair while squeezing the release lever, repeat steps 3-5.

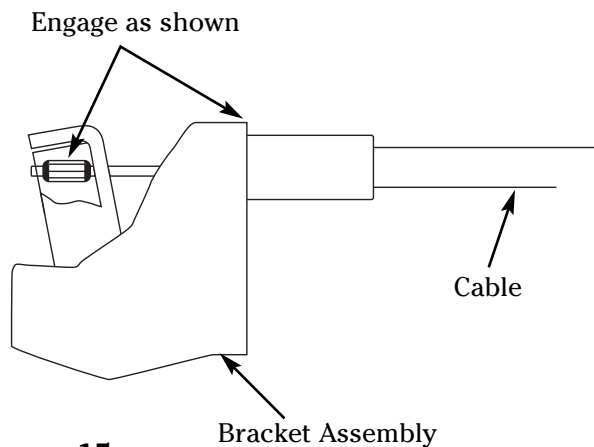
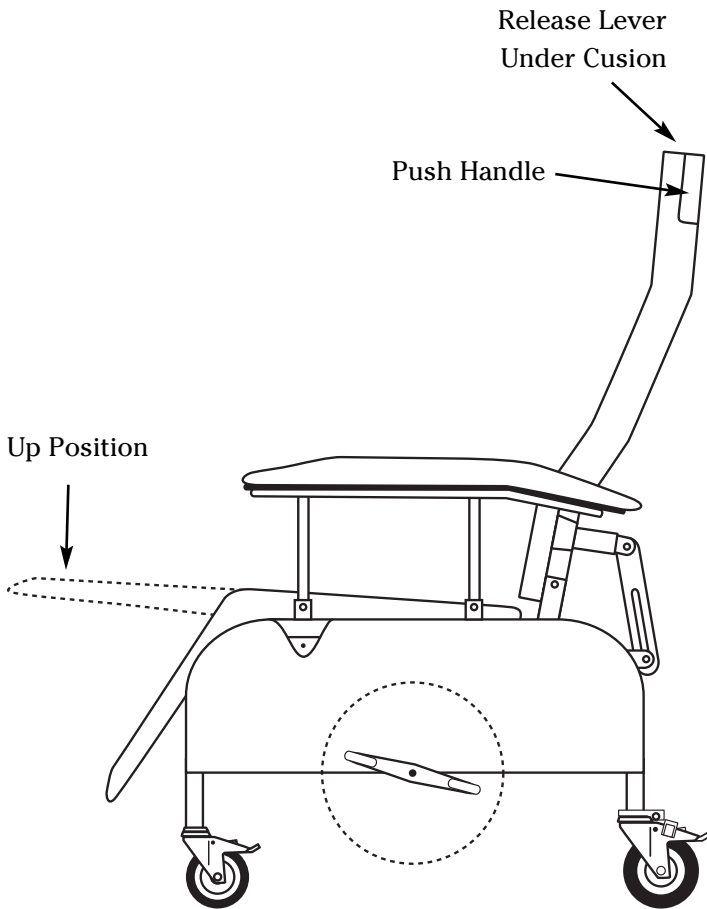


Figure 15



CORRECT TILT POSITIONING FOR TILT-IN-SPACE

NOTE: The Tilt chair is attendant operated only. For chair to operate properly, a person must be in the chair.

To tilt the chair back:

1. Stand behind the chair, and locate the release lever under the push handle.
2. Squeeze the lever while pushing down on the back. Once the desired position is attained, release the lever to lock into position (See fig. 16).

To bring the chair up:

1. Stand behind the chair, and locate the release lever under the push handle.
2. Squeeze the release lever and lift the back up. Once the desired position is attained, release the lever to lock into position (See fig. 16).



LEGREST OPERATION FOR TILT-IN-SPACE

To lift legrest:

Step on the front of the foot pedal, located on the side of the chair, until it locks in place (See fig. 16).

To lower legrest:

Step on the back of the foot pedal.

Note: The legrest is easier to operate when the chair is in its fully tilted position, however legrest will operate in any position of tilt.

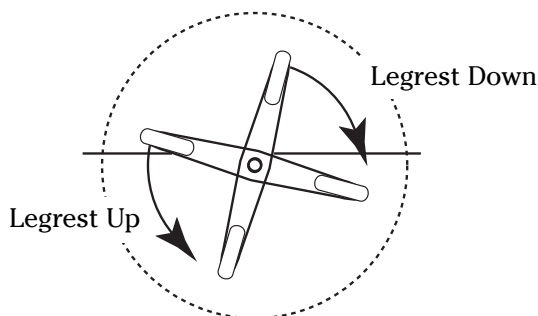


Figure 16

U.S.A., Corporate Headquarters:

Graham-Field Health Products
2935 Northeast Parkway
Atlanta, Georgia 30360
telephone: 800-347-5678, 770-447-1609
fax: 800-726-0601, 678-291-3232



<http://www.grahamfield.com>

Free Manuals Download Website

<http://myh66.com>

<http://usermanuals.us>

<http://www.somanuals.com>

<http://www.4manuals.cc>

<http://www.manual-lib.com>

<http://www.404manual.com>

<http://www.luxmanual.com>

<http://aubethermostatmanual.com>

Golf course search by state

<http://golfingnear.com>

Email search by domain

<http://emailbydomain.com>

Auto manuals search

<http://auto.somanuals.com>

TV manuals search

<http://tv.somanuals.com>