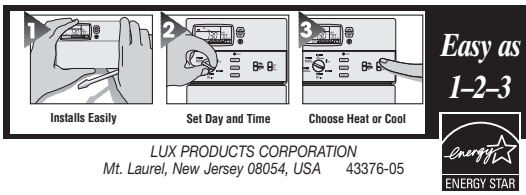


# Complete, Easy To Read INSTALLATION AND OPERATING INSTRUCTIONS

## LUX PSP711CC SERIES SMART TEMP ELECTRONIC THERMOSTAT



LUX PRODUCTS CORPORATION  
Mt. Laurel, New Jersey 08054, USA 43376-05

**WARNING: Use Energizer® or DURACELL® Alkaline Batteries Only.** Energizer® is a registered trademark of Eveready Battery Company, Inc. DURACELL® is a registered trademark of The Gillette Company, Inc.

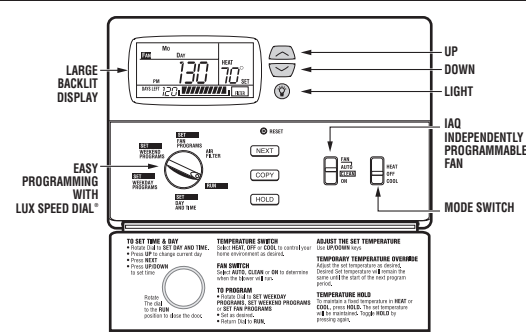
**IMPORTANT!** Please read all instructions carefully before beginning installation. Save them for future reference. Before removing any wiring from your existing thermostat, its wires must be labeled with their terminal designations. Ignore the color of the wires since they may not comply with any standard.

Thank you for your confidence in our product. To obtain the best results from your investment, please read these instructions and acquaint yourself with your purchase before installing your new thermostat. Then follow the installation procedures, one step at a time. This will save you time and minimize the chance of damaging the thermostat and the systems it controls. These instructions may contain information beyond that required for your particular installation. Please save for future reference.

### COMPATIBILITY

The PSP711CC can be used with most single stage 24 volt gas, oil or electric heating and air conditioning systems, single stage heat pumps, or gas millivolt heating systems. It cannot be used with 3 wire zone valves, 120 volt heating systems, or multi stage heat pumps. Ask your dealer for other LUX thermostats to control those systems.

### FEATURES



- Small elegant design
- Exclusive LUX Speed Dial®
- EL Illuminated Display
- Comprehensive Graphical Filter Monitor
- 7 Day Programming
- Energy Star Compliant
- 4 Periods Per Day
- Independent Fan Program
- Programmable (minimum) Fan Duty Cycle
- Nonvolatile Memory For All Programs And Settings
- Temporary Temperature Override
- Temperature Hold
- Keyboard Lockout
- F/C Temperature Display
- 12/24 Hr Clock Display
- Adjustable Temperature Differential / Cycle Rate
- User Temperature Offset / Calibration
- 5/2 minute selectable minimum Run/Off time provides short cycle and compressor protection

**CAUTION**  
The PSP711CC is protected against normal static electric discharges. To minimize the risk of damaging the unit in extremely dry weather, touch a grounded metal object before touching your thermostat.

### INSTALLATION

Please read all instructions carefully before beginning installation.

**CAUTION**  
Turn off electricity to the appliance before installing or servicing thermostat or any part of the system. Do not turn electricity back on until work is completed.

- Do not short (jumper) across electric terminals on furnace or air conditioner to test the system. This may damage the thermostat and void your warranty.
- All wiring must conform to local codes and ordinances.
- The thermostat should be limited to a maximum of 1.5 amps; higher current may cause damage to the thermostat.
- Your thermostat is a precision instrument. Please handle it with care.

#### TOOLS REQUIRED

- #1 Phillips screwdriver (small)
- Drill with 3/16-in. (4.8mm) bit
- Wire stripper/cutter

#### THERMOSTAT LOCATION

- On replacement installations, mount the new thermostat in place of the old one unless the conditions listed below suggest otherwise. On new installations, follow the guidelines listed below.
1. Locate the thermostat on an inside wall, about 5 ft. (1.5m) above the floor, and in a room that is used often.
  2. Do not install it where there are unusual heating conditions, such as: in direct sunlight; near a lamp, television, radiator, register, or fireplace; near hot water pipes in a wall; near a stove on the other side of a wall.
  3. Do not locate in unusual cooling conditions, such as: on a wall separating an unheated room; or in a draft from a stairwell, door, or window.
  4. Do not locate in a damp area. This can lead to corrosion that may shorten thermostat life.
  5. Do not locate where air circulation is poor, such as: in a corner or an alcove; or behind an open door.
  6. Do not install the unit until all construction work and painting has been completed.

**CAUTION**  
Read instructions carefully before removing any wiring from existing thermostat.

- Wires must be labeled before they are removed.
- Do not allow wires to touch each other or parts on thermostat.
- When removing wires from their terminals, ignore the color of the wires since they may not comply with any standard.

#### REMOVING THE OLD THERMOSTAT

1. Switch electricity to the furnace and air conditioner OFF; then proceed with the following steps.
  2. Remove cover from old thermostat. Most are snap-on types and simply pull off. Some have locking screws on the side. These must be loosened.
  3. Note the letters printed near the terminals. Attach labels (enclosed) to each wire for identification.
- Remove and label wires one at a time. Make sure the wires do not fall back inside the wall.
4. Loosen all screws on the old thermostat and remove it from the wall.

#### MOUNTING THE PSP711CC

1. Strip insulation leaving 3/8 in. (9.5mm) bare wire ends and clean off any corrosion.
2. Fill wall opening with non-combustible insulation to prevent drafts from affecting the thermostat.

**CAUTION**  
Be careful not to drop the unit or disturb electronic parts. Leave the door closed while the body is being removed from the base.

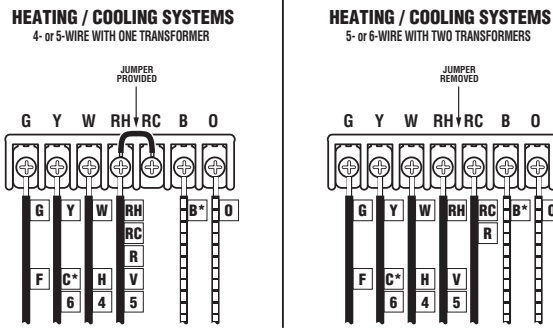
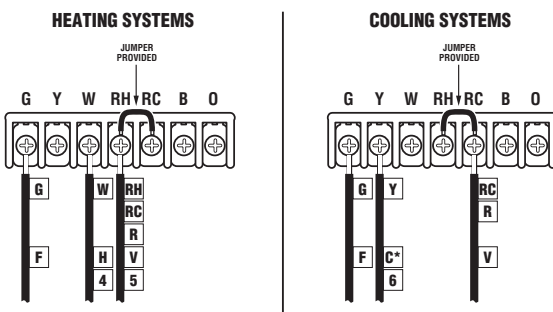
**NOTE**  
If you are mounting the base to soft material like plasterboard or if you are using the old mounting holes, the screws may not hold. Drill a 3/16 in. (4.8mm) hole at each screw, and insert the plastic anchors provided.

4. Hold the base against the wall. Route the wires through the hole below the terminal block. Position the base for best appearance (to hide any marks from an old thermostat). Attach the base to the wall with the two screws provided.

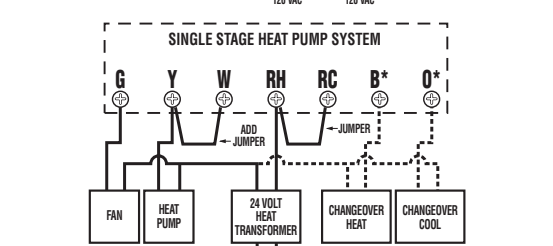
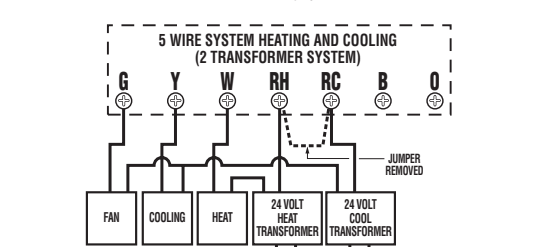
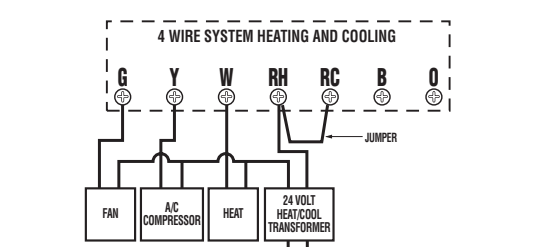
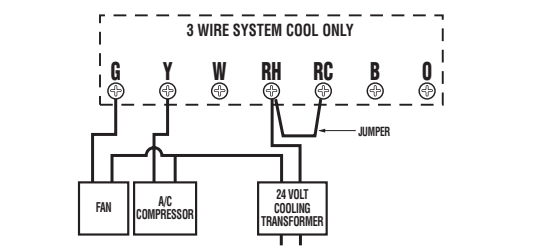
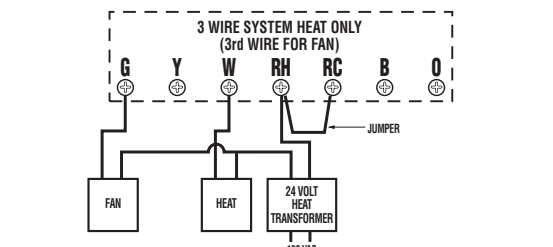
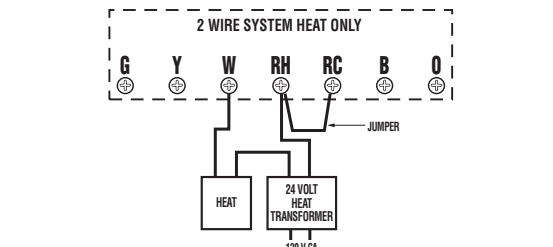
#### CONNECTING THE WIRES

5. Wires must be trapped between black clamp and brass terminal.
6. Securely tighten all 7 electrical terminal screws.

These diagrams are provided for new installations or un referenced wires.



All common wires must be taped off.  
If "Y" and "C" are both present, "C" is a common wire. DO NOT USE "C"! TAPE IT OFF!  
\*If a "B" wire in your system is a system common, then connecting it at the "B" terminal may cause damage to your system. TAPE IT OFF!



#### COMPLETING YOUR INSTALLATION

7. See Setup Options to configure jumpers.
8. Install two new Energizer or DURACELL "AA" size alkaline batteries at this time. For instructions, see BATTERIES/MAINTENANCE.
9. Install your PSP711CC on its base. To do this hang the top of the unit by the tabs on the base, then snap the bottom of the unit into place. Do not use unnecessary force. If the body does not snap into place easily, remove the body, re-hang it from the tabs and try again.
10. Turn the power back on to your heating and/or air conditioning system.
11. Verify that the system and its fan are operating properly. When set to a high temperature, the heating system should provide warm air after a short time. Likewise, a cooling system should provide cool air after a short time. Usually sound from the furnace and air conditioning units can be heard while they are running. The rush of moving air should be heard within a short time after either has been started.
12. Your installation is now complete.

**NOTE**  
If you have an electric system and the blower does not operate after installation, find the electric/gas heat jumper on the back of the body. Move the jumper to ELEC and perform a HARDWARE RESET.

### OPERATING INSTRUCTIONS

The PSP711CC alternately displays the current time and the room temperature. It also displays the day of the week and the current program period, MORN, DAY, EVE, or NITE. Set temperatures are indicated in the right side of the display.

You can make program or setting changes with the thermostat body on the wall, or conveniently removed from its base plate.

**SYSTEM MODES:**  
The Mode switch has three positions HEAT, OFF, and COOL. In the winter, set the system switch to HEAT to control your heating system. In the summer, set the switch to COOL to control your air conditioner. In spring and fall or when the windows are open, you can set the switch OFF.

**UP/DOWN/CHANGE ARROW KEYS:**  
There are two arrow keys just right of the unit's display. They are used to adjust set temperatures and change the program.

#### TEMPERATURE ADJUSTMENT:

Pressing an arrow key once adjusts the set temperature by one degree in the associated direction. Holding the key will automatically advance the setting in the associated direction.

#### CHANGING OTHER SETTINGS:

If there are many choices for a value, usually that setting will automatically advance by holding one of the arrow keys. Some settings though, must be changed one press at a time.

#### DISPLAY ILLUMINATION:

Press the light bulb button to illuminate the display. Pressing other buttons will keep the display illuminated until no button has been pressed for approximately 20 seconds.

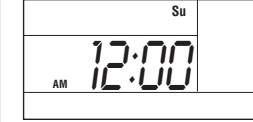
#### FAN MODES:

The fan switch has three positions AUTO, CLEAN, and ON. Setting the FAN switch to AUTO automatically runs your system's fan as required only for heating and cooling. The CLEAN position insures that your system's fan runs at least the programmed minimum duty cycle. The default duty cycle requires it to run 15 minutes every hour. Setting the FAN switch to ON runs your system's fan continuously. The FAN icon will flash whenever the fan is running.

**NOTE**  
The FAN switch works only if your system provides a wire for the PSP711CC's "G" terminal.

#### SETTING THE TIME AND DAY:

Open the door on the front of the thermostat. Rotate the dial to the SET DAY/TIME position. You should see the display pictured below with a day of the week flashing.



- Press UP to change day of week.
- Press NEXT to set the time; it will flash.
- Press UP or DOWN to change time of day.

When you are finished setting the day and time, rotate the dial to RUN to return to normal operation or to another position to continue programming.

#### HARDWARE RESET

This button will unlock your thermostat and read option switch positions, before the unit begins normal operation. It is located inside on the rear of the unit's circuit board. It is a small square component labeled S8, with a white button at it's center.

#### SOFTWARE RESET

Use this front panel RESET to return all software settings and programs to their default values. Option jumpers will be read and operation will correspond to their current positions. SOFTWARE RESET is disabled while your thermostat is locked. To assist in reprogramming, copy your programs into the chart provided before using SOFTWARE RESET.

### PROGRAMMING

The PSP711CC provides four independent programming periods per day for HEAT, COOL, and FAN. Each is programmed separately. You can use the default programs or alter them to suit your schedule.

#### DEFAULT ENERGY STAR® TEMPERATURE PROGRAM

As supplied from the factory, the following ENERGY STAR® approved program will be used for temperature control in RUN mode. This program and all other software settings may be restored to their default values via a SOFTWARE RESET.

PERIOD	HEAT MODE	COOL MODE
Morning	6:00 AM 70°F (21°C)	6:00 AM 78°F (26°C)
Day	8:00 AM 62°F (17°C)	8:00 AM 85°F (29°C)
Evening	6:00 PM 70°F (21°C)	6:00 PM 78°F (26°C)
Night	10:00 PM 62°F (17°C)	10:00 PM 82°F (28°C)

#### EDITING HEAT OR COOL PROGRAMS

You can change any preset times and/or temperatures to suit your schedule for each day of the week. The four periods each day are Morning(MORN), Day(DAY) Evening(EVE), and Night(NITE).

#### WEEKDAY PROGRAMMING

1. Select HEAT or COOL with the mode switch.
2. Rotate dial to SET WEEKDAY PROGRAMS. You will see the display shown here:



3. The HEAT or COOL set temperature will be displayed on the right side of the display. The start time for the displayed period will flash to show that it may be changed.
4. Use the UP/DOWN arrow keys to change the start time for this period. One period ends at the start time of the next period. The beginning of that period may not be any closer to the beginning of the next period than one 15 minute increment.
5. Press NEXT to accept the displayed start time and advance to edit the SET TEMPERATURE.
6. Use the UP/DOWN arrow keys to change the flashing HEAT or COOL set temperature to the temperature you desire.
7. Press NEXT to accept the displayed set temperature and advance to edit the start time for the next period. It will be flashing.
8. Repeat for each of the four periods per day. When all the periods for a day have been set, the start time for the next morning will be displayed flashing so that it may be edited.
9. Repeat PROGRAMMING for each remaining day.
10. Rotate the dial back to RUN to accept all current values and end the programming session.

#### WEEKEND PROGRAMMING

1. To program Saturday or Sunday, select HEAT or COOL and rotate the dial to SET WEEKEND PROGRAMS. You will see a display similar to that shown here:
2. Use steps 3 - 10 described in WEEKDAY PROGRAMMING to program Saturday and Sunday.



#### COPY BUTTON

COPY will copy the previous day's Heat, Cool or Fan program into the current day and advance to the beginning of the next day.

DAY	PERIOD	HEAT		COOL	
		TIME	TEMP.	TIME	TEMP.
THURS	MORN				
	DAY				
	NIGHT				
FRI	MORN				
	DAY				
	NIGHT				
SAT	MORN				
	DAY				
	NIGHT				
SUN	MORN				
	DAY				
	NIGHT				

#### CLEAN AIR CYCLE.

The CLEAN AIR CYCLE insures that the fan runs for at least the specified duration each hour to circulate and filter the air in your home. Hourly fan run time may be specified from 9 to 60 minutes per hour. "60" = ON or continuous run. The default minimum run time is 15 minutes total per hour. Additional fan run time is not called for when the heating or cooling requirement exceeds the threshold setting. When additional fan run time is required, it is met by running the fan at 20 minute intervals, for 1/3 the hourly run time setting.

#### EDITING CLEAN CYCLE PROGRAMS

1. Turn rotary dial to SET FAN PROGRAMS. You will see a display similar to that shown here:
2. The start time for the displayed period will flash to show that it may be changed. Use the UP/DOWN arrow keys to change the start time for this period. One period ends at the start time of the next period. The beginning of that period may not be any closer to the beginning of the next period than one 15 minute increment.
3. Press NEXT. The minimum run time flashes to show that it may be edited.
4. To change the minimum run time for this period, use the UP/DOWN keys.
5. Press NEXT to accept the setting and progress to the next period.
6. Repeat for each of the four periods per day.
7. When all the periods for a day have been set, the start time for the next morning will be flashing so that it may be edited.
8. Repeat programming for each remaining day.
9. Rotate the dial back to RUN to accept all current values and end the programming session.

#### AIR FILTER USAGE MONITOR

The AIR FILTER USAGE MONITOR counts the number of days a filter has been in use. In RUN mode, the display shows the remaining filter life via a bar-graph, and the number of DAYS LEFT in the 3 digit filter display area.

CHANGE FILTER will appear when the days remaining has reached zero and the filter should be changed. DAYS OVER is indicated when a filter change is past due. The filter counter can count up for days over from 000 to 999 days.

All Manuals Search And Download.

#### SETTING THE AIR FILTER LIFE

This value sets the number of days to be counted before a filter change is indicated.

#### To set the AIR FILTER USAGE LIMIT:

1. Rotate dial to AIR FILTER.
2. LCD shows: SET LIMIT at lower left, with current setting at center screen.
3. With a new filter installed, use the UP/DOWN keys to change this value to the number of days of useful filter life specified by your filter manufacturer. The available settings are: 000, 30, 60, 90, and 120 days. The default air filter life setting is 90 days. A selection of 000 days will disable the Air Filter Counter feature completely, and hide both the "number of days" and the "bar graph" items from the red lower portion of the display.
4. The counter for the Air Filter Usage Monitor is automatically reset back to zero when the usage limit setting value has been changed.
5. Return the dial to the RUN position when finished.

#### RESETTING AIR FILTER COUNTER

To reset the air filter counter when you replace your filter:

1. Rotate dial to AIR FILTER.
2. Press and release COPY to reset counter
3. Press and release COPY again to restore previous count.
4. Return the dial to the RUN position when finished.

#### TEMPERATURE OVERRIDE

OVERRIDE allows you to change the current SET TEMPERATURE in HEAT or COOL until the next program period without changing your temperature control programs.

- Press UP/DOWN to change the current temperature setting. The OVERRIDE indicator appears on display.
- The OVERRIDE will be canceled at the start of the next program period, and the temperature setting will return to its programmed value.
- An OVERRIDE may be terminated by rotating the dial, switching the mode to OFF, or initiating a HOLD.
- Adjusting the set temperature to its program value will also cancel an OVERRIDE.

#### TEMPERATURE HOLD

HOLD may be used for manual temperature control. HOLD is the simplest means to set and maintain a fixed temperature. It allows you to set and maintain a fixed temperature indefinitely in Heat or Cool without concern for programming. To initiate a HOLD:

- Press and release HOLD.
- Adjust temperature as desired with UP/DOWN.
- Temperature setting will not change until the HOLD is cancelled.
- To cancel a HOLD, press and release HOLD again, rotate the dial, or switch mode to OFF.

### ADVANCED FEATURES

#### TEMPERATURE SWING

A thermostat works by turning your heating or cooling system on or off whenever the room temperature varies from the set-point temperature. This variation is the "swing." Your system should cycle on about 3 to 6 times per hour. A smaller swing number increases the number of cycles, so room temperature is more constant. A larger swing number decreases the number of cycles, but saves energy in most cases.

#### SWING SETTING

1. Rotate dial to the AIR FILTER position.
2. Simultaneously press NEXT & HOLD.
3. Use UP/DOWN keys to change swing.
4. Choices are 1 through 9. The default is 2.
5. Rotate the dial to the RUN position to finish.

#### TEMPERATURE CALIBRATION

1. Rotate the dial to SET DAY/TIME.
2. Simultaneously press NEXT & HOLD.
3. Use UP/DOWN keys to adjust the thermostats calibration by as much as ± 5°F (± 3°C).

#### LOCK

To prevent tampering, this sequence of keys will lock and unlock the set temperature, programs and other settings. When the keys are locked, a padlock icon will be visible above the time and temperature display.



### SETUP OPTIONS

#### JUMPER SETTINGS

There are four jumpers, each controls a setting depending on its position.

#### GAS/ELECTRIC MODE - J4

The position of this jumper controls when the thermostat requests the system fan to run. In HEAT mode with the gas jumper in place, the fan is controlled by the heating system itself. In HEAT mode with the jumper open or removed, the fan is controlled by the thermostat.

#### 5MIN/2MIN MINIMUM RUN TIME - J3

The position of J3 sets the minimum length of time that the thermostat must remain with Heat or Cool either on or off before it will automatically switch to the alternate On or Off state. This feature prevents short cycling and provides compressor protection for cooling units. Choices are 2 or 5 minutes.

#### TEMPERATURE DISPLAY FORMAT °F/C - J2

The position of this jumper controls whether temperature is displayed in degrees F° or C°

#### TIME DISPLAY FORMAT 12/24 HR CLOCK - J1

The position of this jumper controls whether time is displayed in 12 hour or 24 hour Military Time format.

#### REPOSITIONING JUMPERS

To change a setting, the jumper must be repositioned and a HARDWARE RESET must be performed. These jumpers are located inside the thermostat on the rear of its circuit board. To access them, remove the unit from the wall by pressing up on the thumb latch at the bottom of thermostat and swinging the body out and away.

The table pictured on the right is also printed on the circuit board. The closed or shorted position is that which covers both a jumpers pins. To prevent its loss, a jumper may be placed over one pin only for the open positions. After settings have been changed, press S8, the HARDWARE RESET button for the changes to take effect. See HARDWARE RESET

	OPEN	CLOSE
J4	ELECT	GAS
J3	2MIN	5MIN
J2	C	F
J1	24HR	12HR

### BATTERIES AND MAINTENANCE

#### INSTALLING BATTERIES/ MAINTENANCE

The PSP711CC requires batteries to operate your heating/cooling system. Replace the batteries when the battery REPLACE indicator appears in the display or at least once a year.

1. Switch electricity to the furnace and air conditioner OFF.
2. To access your units batteries remove the unit from the wall by pressing up on the thumb latch at the bottom of thermostat and swinging the body up and away.
3. Remove the used batteries.
4. Install two new Energizer or DURACELL "AA" size alkaline batteries in the battery compartment. Observe the polarity marking shown in the compartment.
5. Hang the top of the unit by the tabs at the top corners of the base, then snap the bottom of the unit into place. Do not use unnecessary force. If the body does not snap into place easily, remove the body, re-hang it from the tabs and try again.
6. Turn the power back on to your heating and/or air conditioning system. If this is the first time you are installing batteries, the thermostat will display "SUN 12:00 AM".
7. Within 90 seconds the thermostat will begin to display the room temperature alternately with the time. To correct the display, see "Setting the TIME and DAY," after you set the programs.

### TECHNICAL ASSISTANCE

If you have any problems installing or using this thermostat, please reread the instructions carefully or visit our online technical support at [www.luxproducts.com](http://www.luxproducts.com). Technical assistance is available through our Technical Service Number. If you require assistance, please call our office between 8:00 a.m. and 4:30 p.m. Eastern Standard Time, Monday through Friday. The number is (856) 234-8803.

### WARRANTY

Limited Warranty: If this unit fails because of defects in materials or workmanship within one year of date of original purchase, LUX will, at its option, repair or replace it. This warranty does not cover damage by accident, misuse, or failure to follow installation instructions. Implied warranties are limited in duration to one year from date of original purchase. Some states do not allow limitations on how long an implied warranty lasts, so the above limitation may not apply to you. Please return malfunctioning or defective units to the participating retailer from which the purchase was made along with proof of purchase. Please refer to "Technical Assistance" before returning your thermostat. Purchaser assumes all risks and liability for incidental and consequential damage resulting from installation and use of this unit. Some states do not allow the exclusion of incidental or consequential damages, so the above exclusion may not apply to you. This warranty gives you specific legal rights and you may also have other rights which vary from state to state

## Free Manuals Download Website

<http://myh66.com>

<http://usermanuals.us>

<http://www.somanuals.com>

<http://www.4manuals.cc>

<http://www.manual-lib.com>

<http://www.404manual.com>

<http://www.luxmanual.com>

<http://aubethermostatmanual.com>

Golf course search by state

<http://golfingnear.com>

Email search by domain

<http://emailbydomain.com>

Auto manuals search

<http://auto.somanuals.com>

TV manuals search

<http://tv.somanuals.com>