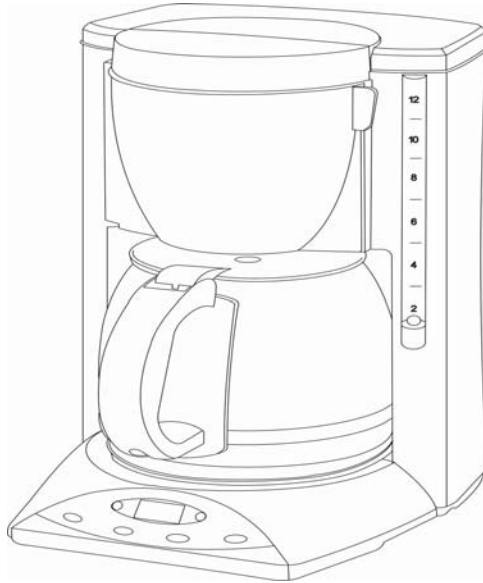




COFFEE MAKER
MCCM1TW12/MCCM1TB12
-HOUSEHOLD USE ONLY-



⚠ CAUTION:
BEFORE USE, PLEASE READ AND FOLLOW ALL IMPORTANT SAFEGUARDS, PRECAUTIONS AND OPERATING INSTRUCTIONS.

Table of Contents

Safety Instructions	3-5
Parts and Features	6
Operating Instructions	7
Auto Drip-Stop	7-8
Programming the Coffee Maker	8
Cleaning and Maintenance	8-9
Mineral Deposit and Decalcifying	9
Warranty	10
Spanish Section	11-21

What You Need to Know About Safety Instructions

Warning and Important Safety Instruction appearing in this manual are not meant to cover all possible conditions and situations that may occur. Common sense, caution and care must be exercised when installing, maintaining, or operating appliance.

Always contact your dealer, distributor, service agent or manufacturer about problems or conditions you do not understand.

Recognize Safety Symbols, Words, Labels

WARNING

WARNING-Hazards or unsafe practices which **COULD** result in severe personal injury or death.

CAUTION

CAUTION-Hazards or unsafe practices which **COULD** result in minor personal injury.

IMPORTANT SAFEGUARDS

WARNING

When using electrical appliances, basic safety precaution should always be followed, including the following:

IMPORTANT SAFEGUARDS

- 1) Read all instructions.**
- 2) This appliance is for household use only. Do not use outdoors.
- 3) Do not use this appliance for other than its intended use.
- 4) Before using for the first time, check if voltage indicated on the base of the appliance corresponds to the voltage in your home.
- 5) Do not turn the power on unless this appliance is properly assembled.
- 6) Close supervision is necessary when any appliance is used by or near children.
- 7) Do not operate any appliance with a damaged cord or plug, or after the appliance malfunctions or has been damaged in any manner.

Return appliance to authorized service center for examination, repair or adjustment.

- 8) The use of attachments or accessories not recommended or sold by the manufacturer may result in fire, electric shock or injury.
- 9) Unplug the appliance from the outlet when not in use, assembling and disassembling, and before cleaning. Make sure the appliance cools down completely before assembling, disassembling and cleaning.
- 10) Do not let cord hang over edge of table or counter, or touch hot surfaces.
- 11) Do not place the appliance on or near a hot gas or electric burner, or in a heated oven.
- 12) Do not touch hot surfaces. Use handles or knobs.
- 13) To connect, always plug the cord into the wall outlet first, and then press "Start". To disconnect, press "Stop" and then remove plug from wall outlet.
- 14) Never use the carafe on a range top or in a conventional microwave oven.
- 15) Never use warm or hot water to fill the water tank. Use cold water only.
- 16) Snap the lid securely to the carafe before serving.
- 17) Scalding may occur if the cover is lifted or removed during the brewing cycle.
- 18) Do not set a hot carafe on a wet or cold surface.
- 19) Do not use a cracked carafe, or a carafe that has a loose or weakened handle.
- 20) Do not clean the coffee maker with scouring powders, steel wool pads, or other abrasive materials.

 **WARNING:**

To protect against electric shock, fire, and injury to persons, do not immerse main cord, plug or unit in water or any other liquid.

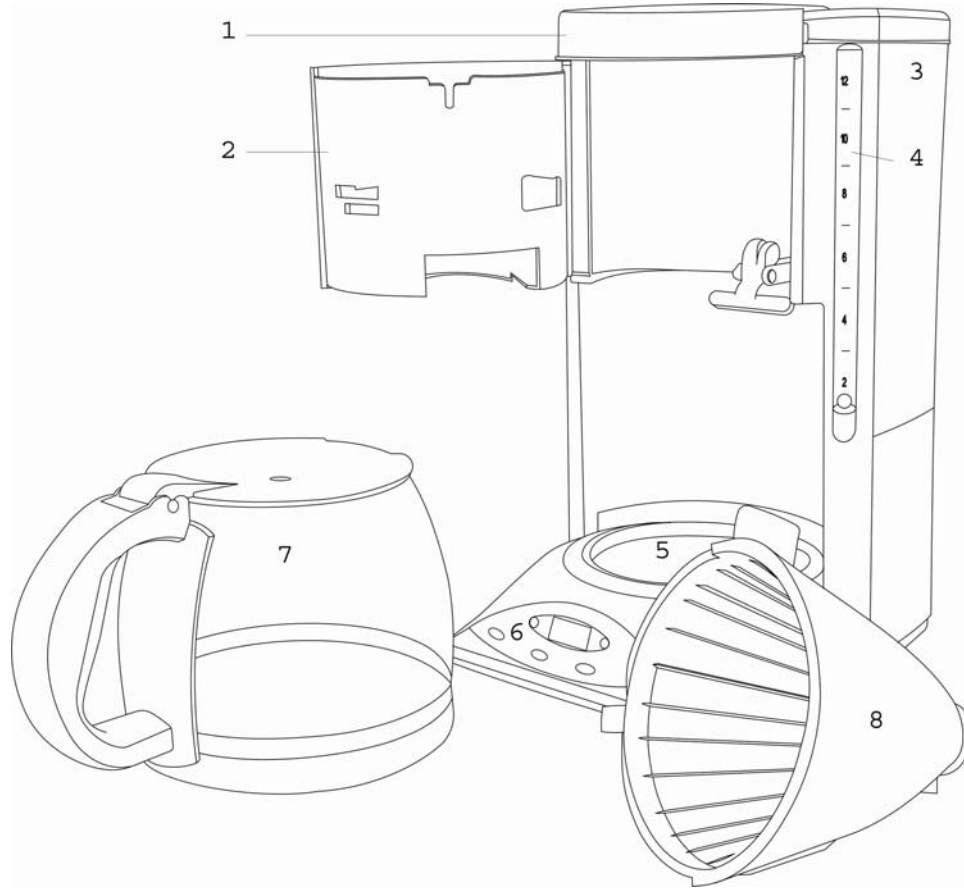
 CAUTION:

This product is equipped with a polarized plug (one blade is wider than the other blade) as a safety feature to reduce the risk of electrical shock. This plug will fit into a polarized outlet only one way. This is a safety feature. If you are unable to insert the plug into the electrical outlet, try reversing the plug. If the plug still does not fit, contact a qualified electrician.

Never use the plug with an extension cord unless the plug can be fully inserted into the extension cord. Do not alter the plug of the appliance or any extension cord used with this appliance. Do not attempt to defeat the safety purpose of the polarized plug.

SAVE THESE INSTRUCTIONS

Parts and Features



1. Water Tank Lid
2. Filter Basket Holder
3. Water Tank
4. Water Gauge
5. Warming Plate
6. Control Panel
7. Glass Carafe
8. Filter Basket

Before Your First Use

Carefully unpack the coffee maker and remove all packaging materials. Wipe the heating stand with a clean, damp cloth. Do not immerse the heating stand in water or other liquid. To remove any dust that may have accumulated on the removable parts during packaging, wash the carafe, lid and filter basket with warm soapy water. Rinse and dry. We recommend that prior to brewing your first pot of coffee, you “brew” just the cold water without ground coffee or a paper filter. This will remove any dust that may have settled inside the coffee maker.

Operating Instructions

- 1) Place your coffee maker on a flat, level surface, such as a countertop. Plug the coffee maker into a 120_volt 60Hz AC only outlet.
- 2) Swing out the filter basket holder(2) to your left and place a filter or paper filter into the filter basket(8). Place the desired amount of ground coffee into the paper filter. Close the filter basket until it snaps in place.

NOTE: Do not operate your coffee maker if the filter basket holder does not close completely. If the filter basket holder does not close completely, check to see that the filter basket is properly seated and snap the door back into its place.

- 3) Lift and open the water tank lid(1). Then fill the glass carafe(7) with cold water and pour into the water tank(3). You can measure how many cups you want to make by looking at the gauge on the carafe handle or the water gauge(4) on the side of the water tank(3).
- 4) Close the water tank lid(1) and place the glass carafe(7) on the warming plate(5).
- 5) Press the “START” button twice. A green light will turn on next to the “ON” sign and the coffee maker will start the brewing process..
- 6) After finished brewing, your coffee maker will automatically keep the coffee hot for 2 hours before turning itself off. If you wish to turn the coffee maker off manually or deactivate the timer, press the “STOP” button until both the “AUTO” and the “ON” lights go out.

Auto Drip-Stop

Your coffee maker is equipped with an auto drip-stop feature. If you wish to temporarily remove the glass carafe from the warming plate at any time during the brewing cycle, the auto drip-stop feature will temporarily stop the brewing, causing no coffee to drip from the filter basket to the warming plate. Replacing the glass carafe on the warming plate will restart the brewing cycle.

NOTE: If the glass carafe was removed during the brewing cycle, return it within 30 seconds or the filter basket may overflow.

Programming the Coffee Maker

Your coffee maker is equipped with a feature that will automatically brew at your desired time within the next 24 hours.

- 1) Place your coffee maker on a flat, level surface, such as a countertop. Plug the coffee maker into a 120_volt 60Hz AC only outlet.
- 2) Set the current time by pressing the "HOUR" and the "MINUTE" button.
- 3) To set the automatic timer, press and hold the "BREW" button and press the "HOUR" and the "MINUTE" to the time that you want the coffee maker to automatically start. Make sure you set the AM/PM correctly.
- 4) Follow steps 2-4 on the "Operating Instructions" and press the "START" button only once. A red light will turn on next to the "AUTO" sign indicating that the automatic timer has been activated.
- 5) Your coffee maker will now automatically brew at the programmed time.

Cleaning and Maintenance

COMPLETELY CLEAN AND DRY ALL PARTS AFTER EVERY USE.

Be sure to unplug the appliance before cleaning. To protect against electrical shock, do not immerse cord, plug or unit in water or other liquid.

The glass carafe, carafe lid, and filter basket may be washed with warm soapy water, or placed in the top rack of the dishwasher. Do not place any other part or parts of your coffee maker in the dishwasher. The heating plate may be wiped with a clean, damp cloth when necessary. Never use harsh or abrasive cleaners on any part or parts of your coffee maker.

To clean the filter basket holder, first, remove from the main unit. To remove, swing-open the filter basket holder completely and remove the filter basket and the filter. Hold the bottom of the filter basket holder next to the hinge and lift and pull away. Clean in warm soapy water. To reinsert the filter basket holder, insert the top pin into the top hinge. While pressing the filter basket holder upwards slightly, fit the bottom pin into the bottom hinge.

During cleaning of the filter basket, the spring (located lower back of the handle) may become detached. If not reattached, it may prevent the anti-drip function from working properly.

Never immerse the heating plate or main housing in water or any other liquid. Do not try to clean the inside of the water chamber with a cloth, this will leave a residue of lint and may clog your coffee maker. Just rinse with cold water periodically.

Mineral Deposits and Decalcifying

Mineral deposit build-up frequently occurs in coffee makers. This build-up is quite normal and is caused by minerals commonly found in drinking water. Periodically, your coffee maker will need cleaning to remove any mineral deposits that may form. Excessive steaming or prolonged brewing cycle is a sign that your coffee maker needs decalcifying. During decalcifying, more steaming will occur than while brewing coffee.

- 1) Lift carafe lid. Pour two tablespoons of white vinegar in the carafe and add cold water and fill up carafe.
- 2) Pour vinegar/water solution into water tank.
- 3) Place the glass carafe on the warming plate.
- 4) Open the filter basket holder and place a coffee filter into the filter basket.
- 5) Press power button to turn the coffee maker on.
- 6) Let half of the cleaning solution brew into the carafe, and then press the power button again to turn the coffee maker "Off".
- 7) Let the coffee maker cool for 15 minutes to soften the mineral deposits.
- 8) Pour the liquid that brewed into the carafe back into the water tank.
- 9) Turn the coffee maker on and let all the cleaning solution brew into the carafe.
- 10) Turn the coffee maker off. Discard the cleaning solution and used coffee filter.
- 11) Fill the coffee maker with fresh water and follow the steps in the "Before Your First Use" to flush out remaining cleaning solution.
- 12) Hand wash carafe and lid with hot soapy water. Do not place in dishwasher.

SAVE THESE INSTRUCTIONS

Magic Chef Limited Warranty

This **Magic Chef** product is warranted, to the original purchaser or gift recipient, to be free from any manufacturing defects under normal use and conditions for a period of one (1) year from the date of purchase as shown on retailer's receipt.

The obligation of **Magic Chef** under this warranty shall be limited to repair or replacement (at our option) during the warranty period, of any part that proves to be defective in material or workmanship under normal installation and use. The product is returned to **Magic Chef** or an Authorized Service Center **POSTAGE PREPAID**. A copy of the original receipt along with your name, address and phone number must accompany products returned. Include a description of the defect along with the date you purchased the product.

This warranty shall be invalid if the product is damaged as a result of misuse, abuse, negligence, defacement, destruction, accident, fire or other casualties or alterations in any manner. Improper repair, improper use of electrical voltages or currents, alteration of serial number, maintenance by any person or entity other than our own Service Facility or Center, or any use not in conformity with product instruction, shall render this warranty invalid.

Magic Chef assumes no responsibility for damage resulting from the use of this product in a manner or location other than that for which it was intended.

WARRANTY CONDITIONAL TO NORMAL AND NON-COMMERCIAL USE OF THIS APPLIANCE FOR DOMESTIC USE ONLY.

For the nearest Authorized Service Center, contact:

Magic Chef Customer Service: 1-888-775-0202

Or visit our website at www.magicchef-ewave.com

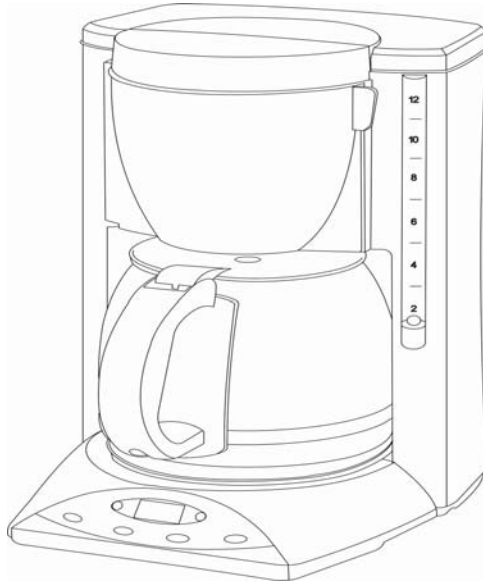
Magic Chef is a trademark of the Maytag Corporation and is used under license to MC Appliance Corp. All rights reserved.



CAFETERA

MCCM1TW12/MCCM1TB12

-USO DOMESTICO EXCLUSIVAMENTE-



⚠️ PRECAUCIÓN:
ANTES DE USAR, SÍRVASE LEER Y OBSERVAR TODAS LAS
ADVERTENCIAS, PRECAUCIONES E INSTRUCCIONES DE USO.

Tabla de Contenidos

Instrucciones de Seguridad	13-15
Partes y Características	16
Instrucciones de Uso	17
Sistema automático antigoteo	17-18
Programacion de la cafetera	18
Limpieza y Mantenimiento	18-19
Depósito de minerales y descalcificación	19-20
Garantía	21

¿Qué necesita saber sobre las instrucciones de seguridad?

Las advertencias e instrucciones de seguridad importantes que aparecen en este manual no cubren todas las condiciones y situaciones que pueden presentarse. Cuando instale, utilice o realice el mantenimiento del electrodoméstico, aplique el sentido común, y opere con precaución y cuidado.

Si tiene alguna duda, póngase en contacto con su proveedor, distribuidor, agente de servicios o fabricante.

Observar los símbolos, leyendas y rotulos de seguridad

⚠ ADVERTENCIA

ADVERTENCIA-Peligros o practicas riesgosas que **PODRIAN** causar lesiones graves o aun la muerte.

⚠ PRECAUCION

PRECAUCION-Peligros o practicas riesgosas que **PODRIAN** causar lesiones leves.

MEDIDAS DE SEGURIDAD IMPORTANTES

⚠ ADVERTENCIA

Siempre que utilice un electrodoméstico, asegúrese de observar las precauciones básicas de seguridad, incluyendo las siguientes:

MEDIDAS IMPORTANTES DE SEGURIDAD

1) Leer todas las instrucciones.

- 2) Este aparato es para uso doméstico exclusivamente. No utilizar en exteriores.
- 3) No utilizar el electrodoméstico para un uso diferente del indicado.
- 4) Antes de utilizar por primera vez, verificar si la tensión indicada en la base del electrodoméstico coincide con la tensión suministrada en su hogar.
- 5) No poner en funcionamiento el aparato antes de armar correctamente.
- 6) Se recomienda supervisar atentamente cuando el aparato sea utilizado por niños o en presencia de éstos.

- 7) No poner en funcionamiento ningún electrodoméstico si el cable o enchufe están dañados o si se detectó mal funcionamiento o desperfecto alguno. Llevar a un servicio técnico autorizado para su revisión, reparación o ajuste.
- 8) El uso de accesorios fuera de los recomendados o vendidos por el fabricante puede originar incendios, golpes de corriente o lesiones.
- 9) Desenchufar el aparato cuando no se utilice, cuando se proceda al armado o desarmado, y antes de limpiar. Verificar que esté completamente detenido antes de desarmarlo.
- 10) No dejar el cable colgando del borde de la mesa o mesada, o en contacto con las superficies calientes.
- 11) No colocar el artefacto sobre un quemador u horno caliente, ni en las proximidades de los mismos.
- 12) No tocar las superficies calientes. Utilizar asas o perillas.
- 13) Para conectar, enchufar primero en el tomacorriente de la pared y luego pulsar "Start" (encendido). Para desconectar, pulsar "Stop" (apagado) y luego retirar el enchufe del tomacorriente de la pared.
- 14) No utilizar la jarra sobre una hornalla o en un horno de microondas convencional.
- 15) No utilizar agua tibia o caliente para llenar el recipiente del agua. Utilizar solamente agua fría.
- 16) Ajustar bien la tapa antes de servir.
- 17) Se pueden producir quemaduras si la tapa está levantada o no está colocada durante el ciclo de preparación.
- 18) No coloque la jarra caliente sobre una superficie húmeda o fría.
- 19) No utilice una jarra agrietada, o que tenga el asa floja o dañada.
- 20) No limpie la cafetera con limpiadores en polvo, esponjas metálicas u otros materiales abrasivos.

 **ADVERTENCIA:**

Para evitar riesgos de golpes de corriente, incendio y lesiones personales, no sumergir el cordón, el enchufe o la unidad en agua u otro líquido.

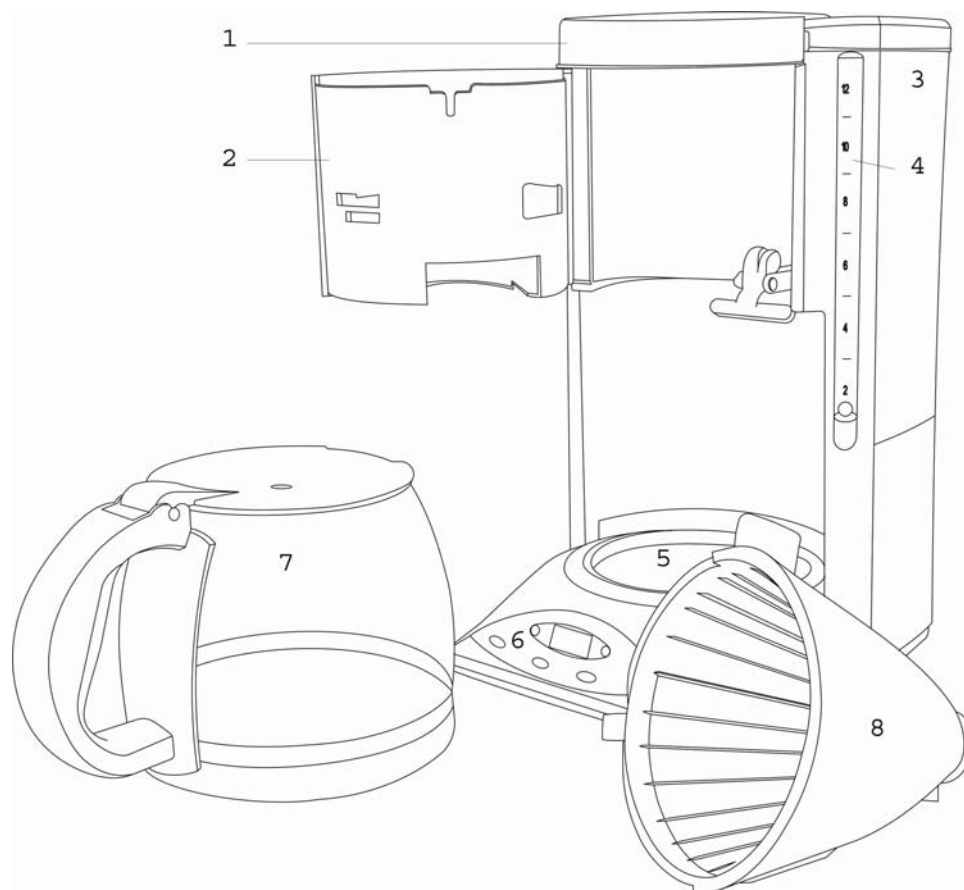
 **PRECAUCIÓN:**

Este producto cuenta con un dispositivo de seguridad para reducir el riesgo de golpe de corriente que consiste en un enchufe polarizado (con una pata más ancha que la otra). Sólo hay una forma de colocarlo en un tomacorriente polarizado. Ésta es una medida de seguridad. Si no puede enchufar en el tomacorrientes, intente darlo vuelta. Si a pesar de esto no logra enchufarlo, llame a un electricista autorizado.

No utilice el enchufe con un alargue salvo que el enchufe calce perfectamente en el mismo. No modifique el enchufe del aparato o de cualquier alargue que utilice con este aparato. No intente burlar el dispositivo de seguridad del enchufe polarizado.

GUARDE ESTAS INSTRUCCIONES

Partes y Características



1. Tapa del recipiente para el agua
2. Canasta porta filtro
3. Recipiente para el agua
4. Nivel para medir el agua
5. Plato térmico
6. Panel de controles
7. Jarra de vidrio
8. Porta filtro

Antes de usar por primera vez

Desembalar con cuidado la cafetera y retirar todos los materiales del embalaje. Limpiar el plato térmico con un paño húmedo limpio. No sumergir el plato térmico en agua u otro líquido. Para retirar el polvo acumulado en las partes removibles durante el proceso de embalaje, lavar la jarra, la tapa y el porta filtro con agua jabonosa tibia. Enjuagar y secar. Antes de preparar la primera jarra de café, recomendamos "procesar" sólo agua sin granos de café o filtro de papel. De esta forma, se eliminará el polvo que se haya acumulado dentro de la cafetera.

Instrucciones de uso

- 1) Colocar la cafetera sobre una superficie lisa y nivelada, como por ejemplo, la mesada. Enchufar la cafetera solamente en un toma corriente de 120_volt 60Hz AC.
- 2) Desplazar la canasta porta filtro (2) hacia la izquierda y colocar un filtro o filtro de papel en el porta filtro. Colocar la cantidad deseada de café molido en el filtro de papel. Calzar el porta filtro en su posición original.

NOTA: o poner la cafetera en funcionamiento si la canasta porta filtro no cierra correctamente. Si la canasta porta filtro no cierra por completo, verificar si el porta filtro está colocado correctamente en su lugar y volver a cerrar la tapa.

- 3) Levantar y abrir la tapa del recipiente para el agua(1). Luego llenar la jarra de vidrio (7) con agua fría y verter el agua en el recipiente (3). Puede medir la cantidad de tazas que desea preparar mirando el nivel que se encuentra en el asa de la jarra o el nivel de agua (4) en el costado del recipiente para el agua(3).
- 4) Cerrar la tapa del recipiente para el agua (1) y colocar la jarra de vidrio (7) sobre el plato térmico (5).
- 5) Pulsar el botón "START" (encendido) dos veces. Se prenderá una luz verde al lado del cartel "ON" y la cafetera iniciará el proceso de preparación.
- 6) Cuando termine el proceso de preparación, la cafetera mantendrá el café caliente durante dos horas antes de apagarse automáticamente. Si desea apagar la cafetera manualmente o desactivar el temporizador, pulsar el botón "STOP" hasta que ambas luces, "AUTO" y "ON" se apaguen.

Sistema automático antigoteo

Su cafetera está equipada con un dispositivo automático antigoteo. Si desea retirar momentáneamente la jarra del plato térmico durante el ciclo de procesamiento, el dispositivo automático antigoteo impedirá que el café siga

filtrando sobre el plato térmico. Al volver a colocar la jarra sobre el plato térmico se reiniciará el proceso de filtrado y el café seguirá filtrando en la jarra de vidrio.

NOTA: Si la jarra se retira durante el ciclo de filtrado, vuelva a colocarla dentro de los 30 segundos; en caso contrario, la canasta porta filtro puede rebalsar.

Programación de la cafetera

La cafetera está equipada con un dispositivo que automáticamente iniciará el filtrado a la hora deseada dentro de las 24 horas siguientes.

- 1) Colocar la cafetera sobre una superficie lisa y nivelada, como por ejemplo, la mesada. Enchufar la cafetera solamente en un toma corriente de 120_volt 60Hz AC.
- 2) Ingresar la hora actual pulsando el botón "HOUR (HORA)" y "MINUTE (MINUTO)".
- 3) Para fijar el temporizador automático, pulsar y sostener el botón "BREW" (FILTRAR) e ingresar la hora en que desea que la cafetera empiece a funcionar con el botón "HOUR" y "MINUTE". Verificar el ingreso correcto de los parámetros AM/PM.
- 4) Seguir las instrucciones 2-4 que figuran en "**Instrucciones de uso**" y pulsar el botón "START" (ENCENDIDO) **solo una vez**. Se prenderá una luz roja al lado del cartel "AUTO" que indica que se activó el temporizador automático.
- 5) La cafetera iniciará automáticamente el proceso de filtrado a la hora programada.

Limpieza y Mantenimiento

LIMPIAR Y SECAR BIEN TODAS LAS PARTES CADA VEZ QUE SE USA LA CAFETERA.

Verificar que el aparato esté desenchufado antes de limpiar. Para evitar golpes de corriente, incendios y lesiones personales, no sumergir el cable, enchufe o la unidad en agua u otro líquido.

La jarra de vidrio, tapa de jarra y porta filtro se pueden lavar con agua jabonosa tibia o en el estante superior del lavavajillas. No colocar ninguna otra parte de la cafetera en el lavavajillas. El plato térmico se puede limpiar con un paño húmedo y limpio cuando sea necesario. No utilizar limpiadores abrasivos en ninguna parte de la cafetera.

Para limpiar el interior de la canasta porta filtro, primero retirarla del cuerpo principal. Para ello, abrir totalmente la canasta porta filtro y retirar el porta filtro y el filtro. Sostener la base de la canasta cerca de la bisagra, levantar y retirar. Limpiar con agua tibia jabonosa. Para volver a colocar la canasta, insertar el perno superior en la bisagra superior. Mientras empuja levemente hacia arriba, calzar el perno inferior en la bisagra inferior.

Durante la limpieza de la canasta porta filtro, se puede desprender el resorte (ubicado en la parte inferior del asa). Si no se vuelve a colocar, la función antigoteo puede no operar correctamente.

No sumergir el plato término ni el cuerpo de la cafetera en agua u otro líquido. No limpiar el interior del recipiente para el agua con un paño ya que éste dejará pelusas que pueden tapar la cafetera. Enjuagar periódicamente con agua fría.

Depósito de minerales y descalcificación

Con frecuencia en las cafeteras se produce el depósito de minerales. Esta acumulación es bastante normal y se produce por los minerales presentes en el agua potable. Periódicamente, la cafetera requiere una limpieza para eliminar los depósitos de minerales que se puedan formar. Si se produce mucho vapor o el ciclo de filtrado se prolonga demasiado es posible que la cafetera necesite descalcificación. Durante el proceso de descalcificación, se producirá más vapor que durante el filtrado de café.

- 1) Levantar la tapa de la jarra. Verter dos cucharadas de vinagre blanco en la cafetera y agregar agua fría hasta completar la jarra.
- 2) Verter la solución vinagre/agua en el recipiente para el agua.
- 3) Colocar la jarra de vidrio en el plato térmico.
- 4) Abrir la canasta porta filtro y colocar un filtro para café en el porta filtro.
- 5) Pulsar el botón "START" (encendido) dos veces para poner la cafetera en funcionamiento.
- 6) Dejar que la mitad de la solución de limpieza filtre en la jarra y luego pulsar el botón "STOP" (apagado) para detener el funcionamiento de la cafetera.
- 7) Dejar que la cafetera se enfríe durante 15 minutos para que se ablanden los depósitos de minerales.
- 8) Volver a verter en el recipiente para el agua el líquido filtrado en la jarra.
- 9) Volver a encender la cafetera y dejar que toda la solución de limpieza filtre en la jarra.
- 10) Apagar la cafetera. Desechar la solución de limpieza y el filtro para café usado.

- 11) Llenar la cafetera con agua limpia y seguir las instrucciones de la sección "Antes de usar por primera vez" para eliminar la solución de limpieza restante.
- 12) Lavar a mano la jarra y la tapa con agua jabonosa caliente. No introducir en el lavavajillas.

GUARDE ESTAS INSTRUCCIONES

Garantía Limitada de Magic Chef

Se garantiza que el presente producto **Magic Chef** se entrega sin defectos de fabricación y en perfecto estado de funcionamiento. Esta garantía es válida únicamente para el comprador original, o quien lo hubiese recibido como regalo, por el período de un (1) año a partir de la fecha de la factura o recibo de compra del agente de venta minorista.

La obligación de **Magic Chef** en virtud de la presente garantía estará limitada a la reparación o reemplazo (a nuestra opción), durante el período de garantía, de cualquiera de las partes que se comprobare que, en condiciones de instalación y uso normales, no funcionan correctamente por defectos del material o de mano de obra. El producto deberá enviarse por **SERVICIO POSTAL PREPAGO** a **Magic Chef** o a un Centro de Servicio Técnico Autorizado con una copia del recibo original indicando su nombre, domicilio y teléfono. Por favor describa el defecto y la fecha de compra del producto.

La presente garantía no será válida si el producto se hubiese dañado como consecuencia de mal uso, abuso, negligencia, deformación, destrucción, accidente, incendio u otras contingencias o se lo hubiese alterado de algún modo. La presente garantía no será válida en caso de reparaciones indebidas, uso con tensión o corriente eléctrica no apropiadas, alteración del número de serie, mantenimiento realizado por personas o entidades que no fueran nuestros propios Centros de Servicio o si el mismo no se hubiera usado en conformidad con el modo de empleo recomendado para el producto.

Magic Chef no asume responsabilidad alguna por daños que resultasen de un modo de empleo o ubicación del producto distinto del indicado para el mismo.
LA PRESENTE GARANTÍA SÓLO ES VÁLIDA PARA EL USO NORMAL Y NO COMERCIAL DEL PRESENTE APARATO DISEÑADO PARA USO DOMÉSTICO EXCLUSIVAMENTE.

Para información sobre el Centro de Servicio Técnico Autorizado más cercano, dirigirse a: Servicio de atención al cliente **Magic Chef** 1-888-775-0202 o visite nuestro sitio en internet: **www.magicchef-ewave.com**

Magic Chef es una marca registrada de Maytag Corporation utilizada bajo licencia a MC Appliance Corp. Se reservan todos los derechos.

Free Manuals Download Website

<http://myh66.com>

<http://usermanuals.us>

<http://www.somanuals.com>

<http://www.4manuals.cc>

<http://www.manual-lib.com>

<http://www.404manual.com>

<http://www.luxmanual.com>

<http://aubethermostatmanual.com>

Golf course search by state

<http://golfingnear.com>

Email search by domain

<http://emailbydomain.com>

Auto manuals search

<http://auto.somanuals.com>

TV manuals search

<http://tv.somanuals.com>