



**Magic Chef**<sup>™</sup>  
SO RIGHT AT HOME.<sup>™</sup>

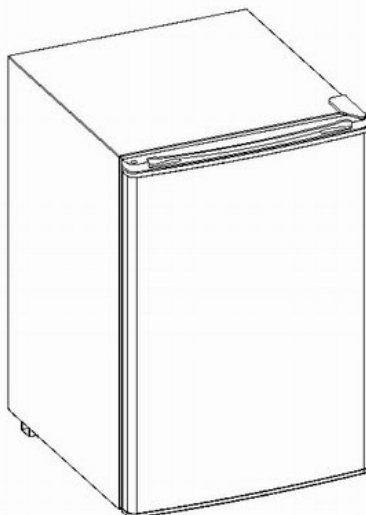
# REFRIGERATOR

## INSTRUCTION MANUAL

Model No.: **MCBR445W2**

**MCBR445B2**

**MCBR445S2**



- To ensure proper use of this appliance and your safety, please read the following instructions completely before operating this appliance.

# TABLE OF CONTENTS

---

Before Putting Into Use.....	2
Tips For Energy Savings.....	2
Important Safety Instructions.....	3
Name Of The Parts.....	4
Specifications.....	4
How To Operate:	
Starting Your New Refrigerator.....	5
Temperature Control.....	5
How To Defrost.....	5
How To Clean.....	6
How To Install.....	6
Care And Maintenance	
What To Do.....	7
Changing The Reversible Doors.....	8-9
Refrigerator Warranty.....	10

## Before Putting Into Use

---

- Before connecting the appliance to the power supply, let the unit stand upright for 4 hours, which will reduce the possibility of the cooling system malfunctioning due to improper handling.
- Clean your unit thoroughly before putting into use. (See How to Clean)
- Use the parts diagram on page 4 to insure proper positioning of internal components.

## Tips for Energy Savings

---

- Keep the refrigerator and freezer doors closed as much as possible, particularly in warm / humid conditions.
- Maintain adequate ventilation around the back and sides of the unit.
- Maintain a thermostat setting of between "3" and "5" under normal use.
- Allow warm food to cool to room temperature before placing in the refrigerator or freezer.
- Excessive ice build up will increase energy consumption. Defrost the unit when ice / frost is 1/4" thick.

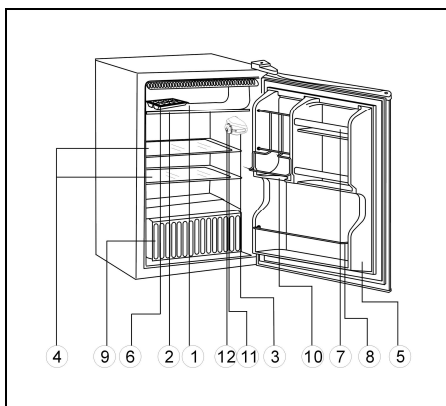
## Important Safety Instructions

---

**DANGER:** Risk of child entrapment. Before you throw away your old refrigerator or freezer:

- Take off the doors.
- Leave the shelves in place so that children may not easily climb inside the unit.
  
- The appliance must be correctly connected to the power supply. (See: "HOW TO INSTALL").
  
- Do not use an extension cord as this can negatively affect the performance of the unit.
  
- Do not touch the cooled surfaces while the appliance operates, especially not with wet hands, because the skin may stick to the cold surfaces.
  
- Do not freeze bottled liquids such as carbonated soft drink, beer, wine, etc. Doing so can cause glass bottles and aluminum cans to rupture.
  
- If the unit fails to cool properly, dispose of spoiled food as needed.
  
- All repairs should be made by a qualified service technician. Repairs made by non-qualified personnel will void the warranty.
  
- Do not defrost the appliance with other electric devices (hair dryer, etc.) and never scrape the ice or frost layer with sharp tools.
  
- The rating plate is inside the appliance or outside on the rear wall.

## NAME OF THE PARTS



Model No.: **MCBR445W2 / MCBR445B2 / MCBR445S2**

- (1) Evaporator
- (2) Drain Pan
- (3) Temperature Control Box
- (4) Shelves
- (5) Door Liner
- (6) Ice Cube Tray
- (7) Rack
- (8) Bottle Rack
- (9) Crisper
- (10) Can Dispenser
- (11) Temperature Control Dial
- (12) Defrost Button

## SPECIFICATIONS

Product Description	Magic Chef Refrigerator with Glass Shelves		
Model No.	MCBR445W2 / MCBR445B2 / MCBR445S2		
Capacity	4.4 Cu. Ft.		
Unit Dimensions ( inches )	Width	Height	Depth
	18.89"	32.91"	21.1"
Net Weight ( lbs )	57.3 ( lbs )		

# HOW TO OPERATE

## Starting Your New Refrigerator

---

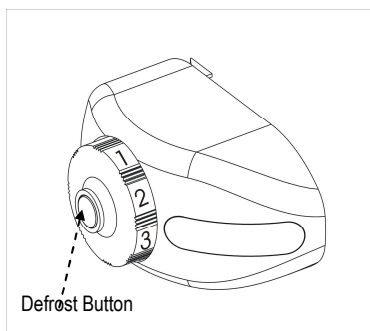
1. Clean the refrigerator thoroughly. Wipe the outside with a soft dry cloth, the interior with a clean moist cloth.
2. Insert the power supply cord into the socket.
3. Turn the thermostat dial to "7". Close the doors and let the refrigerator operate for 15-20 minutes.
4. Reduce the thermostat to a mid-range setting between "3" and "5" on the thermostat control.

## Temperature Control

---

To control the internal temperature, adjust the thermostat dial. "1" is the warmest setting. "7" is the coldest.

The Dial may be set any place on the scale. It does not have to be set exactly on a number. To make ice cubes in the freezer compartment, adjust the thermostat to the coldest setting.



**Note:** Wait 3-5 minutes before restarting if you unplug the refrigerator. The unit may fail to operate properly if restarted too quickly.

## How To Defrost

---

Defrost the refrigerator when the frost accumulated on the evaporator is about 1/4" thick.

To defrost, simply push the defrost button. Be sure to keep the drain pan in place. Defrosting usually takes a few hours. The refrigerator will restart automatically when defrosting ends. Empty water from the drain pan after defrosting.

**Never use a knife or other sharp metal instrument to scrape ice / frost from the inside of the unit.**

## HOW TO CLEAN

---

**Cleaners:** Never use harsh, abrasive cleaners, heavy-duty cleaners, or solvents on any surface.

**Exterior:** Wipe with damp, sudsy cloth, rinse and dry. For stubborn stains and for periodic waxing, use silicon wax.

**Freezer:** When refrigerator needs defrosting press defrost button. Do not use sharp instruments to scrape off ice/frost.

**Refrigeration Section:** Wash shelves and other removable parts in warm sudsy water, rinse and dry. Wash interior with baking soda solution (3 tablespoons to 1 liter of water) or warm sudsy water, rinse and dry.

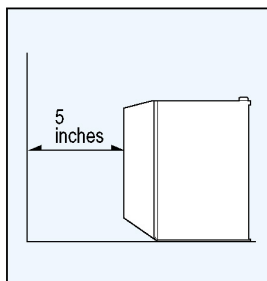
**Magnetic Door Seals:** Wash with warm sudsy water.

**The Finishing Touch:** Replace all parts and return thermostat dial to desired setting.

## HOW TO INSTALL

---

- Install the refrigerator in a convenient location away from extreme heat and cold. Allow sufficient clearance between the refrigerator and side wall so the door(s) will open without obstruction. Refrigerator is not designed for recessed installation.
- Select a space with strong level floor.
- Allow 5 inches of space between the refrigerator's side and the wall.
- The appliance must be correctly connected to the power supply.



### POWER CORD REPLACEMENT

If the refrigerator's power cord is damaged, have it replaced by a qualified repair agent.

## CARE AND MAINTENANCE

---

### WHAT TO DO ...

#### When the fridge is not in use for a prolonged period:

- Remove the plug from the outlet.
- Remove all contents from the fridge.
- Dry the interior and leave the door open for a few days.

#### When you wish to move the fridge:

- Secure all movable parts and contents. (Package them separately if necessary.)
- Transport the fridge only in an upright position. In any other position you may damage the compressor.

Before calling service, please follow the checklist below.

This may save you an expensive service call.

#### If the refrigerator is not cooling properly:

- Check to see that the door is closing properly and the door seal is not damaged.
- Check that the interior circulation is not obstructed by having too many goods stored. (The fridge is overloaded)
- Did you store anything hot, without first cooling it to room temperature?
- Is there sufficient clearance around all sides and above the fridge?

#### If the fridge starts making any unusual noises:

- Is it wobbling? Re-level the unit and check if it now operates normally.
- Have any objects fallen behind the fridge? If so, remove them and check if operation is now normal.
- Are any containers inside the fridge vibrating or resonating? If so, rearrange them then check to see if operation has returned to normal.

**WARNING** – Improper use of the grounding plug can result in a risk of electric shock. If it is necessary to use an extension cord, use only a 3-wire extension cord that has a 3-blade grounding plug and a 3-slot receptacle that will accept the plug on the appliance. The marked rating of the extension cord should be AC 115-120V, 10A, or more. If a grounding adapter is used, make sure the receptacle box is fully grounded.

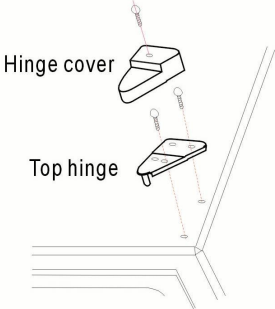
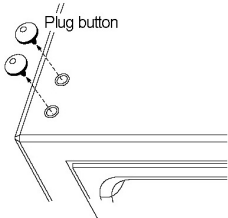
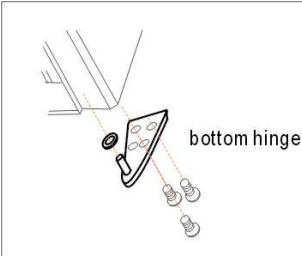



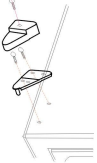
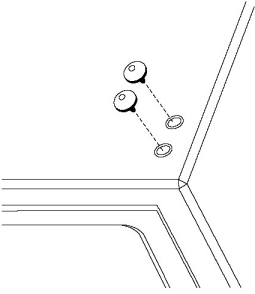
## CHANGING THE REVERSIBLE DOORS

**CAUTION:** To avoid personal injury to yourself and/or property, we recommend someone assist you during the door reversal process.

This refrigerator has been built with the door hinges on the right. If you wish to change the opening direction, follow the instruction below:

- Unplug the refrigerator from its electrical outlet.
- Empty everything in the refrigerator, including shelves, food, etc.

<ol style="list-style-type: none"><li>1. Remove the hinge cover on the right top of the cabinet.</li><li>2. Remove the two screws (using a ratchet tool with a <b>7/16"</b> socket) that hold the top hinge to the cabinet. Keep these screws for later use.</li><li>3. Lift the top hinge straight up to free the pin from the socket on the top of the door.</li><li>4. Lift the door and place it on a padded surface to prevent scratching it.</li></ol>	 <p>Hinge cover</p> <p>Top hinge</p>
<ol style="list-style-type: none"><li>5. Remove the plug buttons from the upper left holes as illustrated and transfer them to the uncovered holes at the right side. Be sure to press the plug buttons firmly into the holes.</li></ol>	 <p>Plug button</p>
<ol style="list-style-type: none"><li>6. Lay the cabinet on its side down on the floor. Remove the <b>three</b> screws that hold the bottom hinge to the cabinet using a <b>7/16"</b> socket. Keep these screws and washer for later use.</li></ol>	 <p>bottom hinge</p>

<p>7. Insert the bottom hinge at the left side using the two screws previously removed in step 6. NOTE: Do not tighten screws.</p> <p>8. Stand the cabinet.</p> <p>9. Replace the door making sure the bottom socket enters the bottom hinge pin. Be sure washer is in place.</p>	
<p>10. While holding the door in the closed position, secure the top hinge at the left side using the two screws previously removed at the beginning in step 2. Do not tighten the screws until the top of the door is leveled with the top cabinet.</p> <p>11. Replace the hinge cover.</p>	
<p>12. Replace plugs.</p>	
<p>13. Tools Required:</p> <ul style="list-style-type: none"> <li>- 7/16" socket-ratchet.</li> <li>- Putty knife or thin-blade screwdriver.</li> </ul>	



**Magic Chef™**  
SO RIGHT AT HOME.™

## Refrigerator Warranty

**MC Appliance Corp.** warrants each new Refrigerator to be free from defects in material and workmanship and agrees to remedy any such defect or to furnish a new part(s) (at the company's option) for any part(s) of the unit that has failed during the warranty period. Parts and labor expenses are covered on this unit for a period of one year after the date of purchase. In addition, **MC Appliance Corp.** warrants the compressor (parts only) to be free from defects in material and workmanship for a period of 5 years. The consumer is responsible for all labor and transportation expenses related to the diagnosis and replacement of the compressor after the initial one- year warranty has expired. If in the event the unit requires replacement or refund under the terms of this warranty the consumer is responsible for all transportation expenses to return the unit to our factory prior to receiving a replacement unit or refund. **A copy of the dated sales receipt / invoice is required to receive warranty service.**

This warranty covers appliances in use within the continental United States, Puerto Rico and Hawaii. The warranty does not cover the following:

- Damages due to shipping damage or improper installation.
- Damages due to misuse or abuse.
- Content losses due to failure of the unit.
- Inside components such as door panels, door shelves, racks, light bulbs, etc.
- Punctures to the evaporator system due to improper defrosting of the unit.
- Repairs performed by unauthorized service agents.
- Service calls that do not involve defects in material and workmanship such as instruction on proper use of the product, door reversal or improper installation.
- Replacement or resetting of house fuses or circuit breakers.
- Failure of this product if used for other than its intended purpose.
- Disposal costs of failed units not returned to our factory.
- Any delivery costs incurred as the result of a unit that fails to perform as specified.
- The consumer is responsible for a \$35.00 delivery charge for all replacement units provided under warranty.

This warranty is in lieu of all warranties expressed or implied and no representative or person is authorized to assume for us any other liability in connection with the sale of this product. Under no circumstances is the consumer permitted to return this unit to the factory without prior written consent from **MC Appliance Corp.**

<b>Model</b>	<b>Parts</b>	<b>Labor</b>	<b>Compressor (Part Only)</b>	<b>Type of Service</b>
MCBR445W2	One- Year	One- Year	Five Years	Carry In
MCBR445B2	One -Year	One- Year	Five Years	Carry In
MCBR445S2	One- Year	One- Year	Five Years	Carry In

For Service or Assistance please call 888 775-0202 or visit us on the web at [www.magicchef-ewave.com](http://www.magicchef-ewave.com).

## Free Manuals Download Website

<http://myh66.com>

<http://usermanuals.us>

<http://www.somanuals.com>

<http://www.4manuals.cc>

<http://www.manual-lib.com>

<http://www.404manual.com>

<http://www.luxmanual.com>

<http://aubethermostatmanual.com>

Golf course search by state

<http://golfingnear.com>

Email search by domain

<http://emailbydomain.com>

Auto manuals search

<http://auto.somanuals.com>

TV manuals search

<http://tv.somanuals.com>