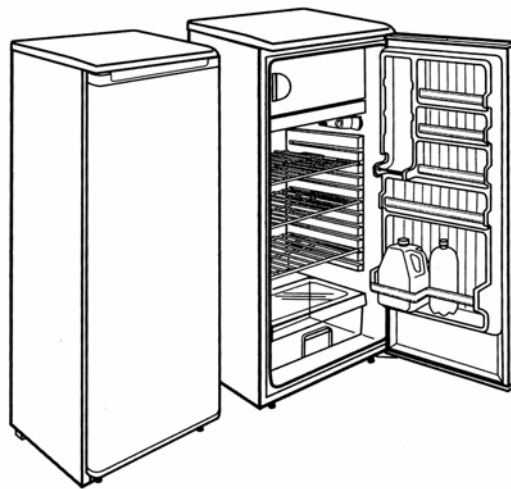




REFRIGERATOR

INSTRUCTION MANUAL

Model No.: **MCBR980W**



- Before use, please read this manual carefully.

Before Putting Into Use

- Before connecting the appliance to the power supply, let it stand for about 2 hours, which will reduce a possibility of malfunctions in the cooling system due to transport handling.
- Clean the appliance, and be thorough, especially in the interior (See "HOW TO CLEAN").
- In case the interior accessories are not correctly placed, rearrange them as described in chapter "NAME OF THE PARTS".

Instructions for Use

These instructions for use are intended for the user. They describe the appliance and its correct and safe use. They were prepared for various types/models of refrigerators therefore you may find in it description of some functions and accessories that your appliance does not have.

Tips for Energy Savings

- Try not to open the door too often, especially when the weather is wet and hot. Once you open the door, mind to close it as soon as possible.
- Every now and then check if the appliance is sufficiently ventilated (adequate air circulation around the appliance).
- Set thermostat from higher to lower settings as soon as possible (depends on how loaded the appliance is ambient temperature etc).
- Before loading the appliance with packages of fresh foods, make sure they are cooled to ambient temperature.
- Ice and frost layer increase energy consumption, so **defrost** the appliance as soon as the layer is **1/8"** thick.

Important

DANGER: Risk of child entrapment. Before you throw away your old refrigerator or freezer:

- Take off the doors.
- Leave the shelves in place so that children may not easily climb inside.

- The appliance must be correctly connected to the power supply. (See: "HOW TO INSTALL").

- Do not touch the cooled surfaces while the appliance operates, especially not with wet hands, because the skin may stick to the cold surfaces.

- Do not freeze bottles containing liquid, especially soft drinks, such as mineral water, sparkling wine, beer, cola etc., because liquid expands during freezing and the glass bottle is very likely to blow up.

- Do not eat frozen food (bread, fruit, vegetables), because you can get frostbites.

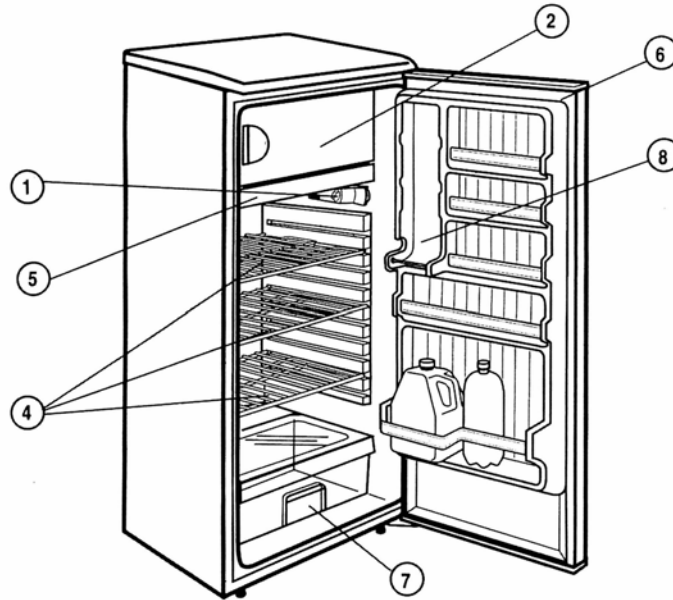
- If the food has strange smell or color, throw it away, because it is very likely that it is spoiled and therefore dangerous to eat.

- Disconnect the appliance from the power supply before repairing it (only a qualified technician should repair it), before cleaning.

- Do not defrost the appliance with other electric devices (hair dryer etc.) and never scrape the ice or frost layer with sharp tools.

- The rating plate is inside the appliance or outside on the rear wall.

NAMES OF THE PARTS



Model No.: **MCBR980W**

- Temperature Control Box
- Freezer Compartment
- Ice Cube Tray (Not Shown)
- Shelves
- Drain Pan
- Magnetic Gasket
- Crisper
- Can Dispense

HOW TO OPERATE

Starting Your New Refrigerator

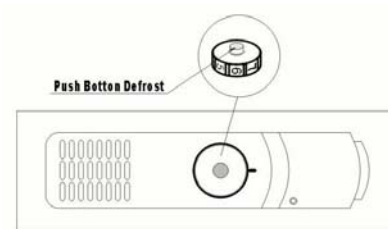
1. Clean the refrigerator thoroughly. Wipe the outside with a soft dry cloth, the interior with a clean moist cloth.
2. Insert the power supply cord into the socket.
3. Turn the thermostat dial to "7". Close the door and let the refrigerator operate for 15-20 minutes.

Temperature Control

To control the internal temperature, adjust the thermostat dial. "1" is the warmest setting. "7" is the coldest.

The Dial may be set any place on the scale. It does not have to be set exactly on a number. To make ice cubes in the freezer compartment, adjust the thermostat to the

coldest setting.



Note: Wait 3-5 minutes before restarting if you unplug the refrigerator. The unit may fail to operate properly if restarted too quickly.

How To Defrost

Defrost the refrigerator when the frost accumulated on the evaporator is about 1/8" thick.

To defrost, simply push the defrost button. Be sure to keep the drain pan in place. Defrosting usually takes a few hours. The refrigerator will restart automatically when defrosting ends. Empty water from the drain pan after defrosting.

Never use a knife or other metal instrument to scrape ice/frost from the evaporator.

HOW TO CLEAN

Cleaners: Never use harsh, abrasive cleaners, heavy-duty cleaners, or solvents on any surface.

Exterior: Wipe with damp, sudsy cloth, rinse and dry. For stubborn stains and for periodic waxing, use silicon wax.

Freezer: When refrigerator needs defrosting **push defrost button**. Do not use sharp instruments to scrap off ice/frost.

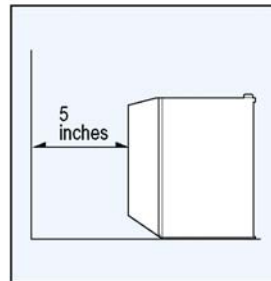
Refrigeration Section: Wash shelves and other removable parts in warm sudsy water, rinse and dry. Wash interior with baking soda solution (3 tablespoons to 1 liter of water) or warm sudsy water, rinse and dry.

Magnetic Door Seals: Wash with warm sudsy water.

The Finishing Touch: Replace all parts and return thermostat dial to desired setting.

HOW TO INSTALL

- Install refrigerator in a convenient location away from extreme heat and cold. Allow sufficient clearance between the refrigerator and side wall so the door will open without obstruction. Refrigerator is not designed for recessed installation.
- Select a space with strong level floor.
- Allow **5 inches** of space between the refrigerator's side and the wall.



POWER CORD REPLACEMENT

If the refrigerator's power cord is damaged, have it replaced by a qualified repair agent.

WHAT TO DO ...

When the fridge is not in use for a prolonged period:

- Remove the power plug from the power point.
- Remove all contents from the fridge.
- Dry the interior and leave the door open for a few days.

When you wish to move the fridge:

- Secure all movable parts and contents. (Package them separately if necessary.)
- Transport the fridge only in an upright position. In any other position you may damage the compressor.

Before calling service, please follow the checklist below.

This may save you an expensive service call.

If the refrigerator seems too warm inside:

- Check that the door has not been opened too frequently or for long.
- Check that the interior circulation is not obstructed by having too many goods stored. (The fridge is overloaded)
- Did you store anything hot, without first cooling it to room temperature?
- Is there sufficient clearance around all sides and above the fridge?

If the fridge starts making any unusual noises:

- Is it wobbling? Re-level it and check if it now operates normally.
- Have any objects fallen behind the fridge? If so, remove them and check if operation is now normal.
- Are any containers inside the fridge vibrating or resonating? If so, rearrange them then check to see if operation has returned to normal.

WARNING – improper use of the grounding plug can result in a risk of electric shock. If it is necessary to use an extension cord, use only a 3-wire extension cord that has a 3-blade grounding plug and a 3-slot receptacle that will accept the plug on the appliance. The marked rating of the extension cord should be AC 115-120V, 10A, or more. If a grounding adapter is used, make sure the receptacle box is fully grounded.

CHANGING THE REVERSIBLE DOOR

CAUTION: To avoid personal injury to yourself and/or property, we recommend someone assist you during the door reversal process.

1. To access the lower hinge assembly, tilt back the refrigerator cabinet or lay the refrigerator on its back. (Fig. C)
2. Remove both leveling legs located at the front of the cabinet.
3. Remove the screws holding the lower hinge assembly to the cabinet.
4. Remove the main door assembly from the refrigerator cabinet. (Open door and pull down)
5. Remove (unscrew) the main door top hinge pin. (Fig. D)
6. Re-install the main door top hinge pin on the opposite side of the cabinet.
7. Remove the door plug and door bushing located on the top of the main door assembly.
8. Interchange positions. (i.e. door plug right side, door bushing left side.)
9. Re-install main door assembly on the cabinet.
10. Remove door bushing (bottom door) and install on the opposite side.
11. Re-install the lower hinge assembly on the opposite side.
12. Make sure the door assembly is properly aligned on the cabinet before tightening lower hinge screws.
13. Re-install both leveling legs.

The process is now complete.

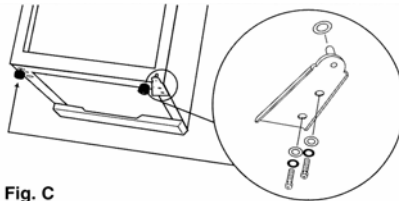


Fig. C

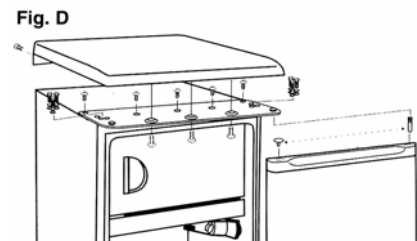


Fig. D

Limited Warranty



MC Sales & Marketing Inc. warrants the following Refrigerators to be free from defective material and workmanship and agrees to remedy any such defect or to furnish a new part (at the Company's option) in exchange for any part or any unit of its manufacture which under normal installation, use and service disclosed such defect, provided the unit is delivered by the owner to us or to our authorized distributor from whom purchased or authorized service station, intact, for our examination with all transportation charges prepaid to our factory. To establish and receive warranty service at our factory or authorized service facilities, a sales receipt or bill of sales is required for proof of purchase.

Written authorization must be obtained before any merchandise is returned to the factory.

This warranty does not extend to any of our electronic products which have been subjected to misuse, neglect, accident, incorrect wiring not our own, improper installation, unauthorized modification, or to use in violation of instructions furnished by us, nor units which have been repaired or altered outside of our factory, nor to cases where the serial number there of has removed, defaced, or changed.

This warranty is in lieu of all warranties expressed or implied and no representative or person is authorized to assume for us any other liability in connection with the sales of our electronic products.

For units that are initially defective.

Initial defective is described as when the dealer opens the unit and finds that it is inoperative or an individual customer opening a new unit and finding that it is initially defective. This unit may be returned to the factory by the dealer for exchange. Under no circumstances will an individual customer be permitted to return defective unit directly to factory. Exchange must be directly with the dealer. When this unit is returned to dealer, a copy of the purchase evidence stating the date of purchase is to be put in the individual box for dealer's further control with the factory.

<u>MODEL</u>	<u>PARTS</u>	<u>LABOR</u>	<u>COMPRESSOR</u>
Refrigerator	1 year	1 year	5 years
Model: MCBR980W	In-Home Service		

Note: For Service or Assistance, please call: 1-888-775-0202 or visit our website

www.magicchef-ewave.com

Free Manuals Download Website

<http://myh66.com>

<http://usermanuals.us>

<http://www.somanuals.com>

<http://www.4manuals.cc>

<http://www.manual-lib.com>

<http://www.404manual.com>

<http://www.luxmanual.com>

<http://aubethermostatmanual.com>

Golf course search by state

<http://golfingnear.com>

Email search by domain

<http://emailbydomain.com>

Auto manuals search

<http://auto.somanuals.com>

TV manuals search

<http://tv.somanuals.com>