

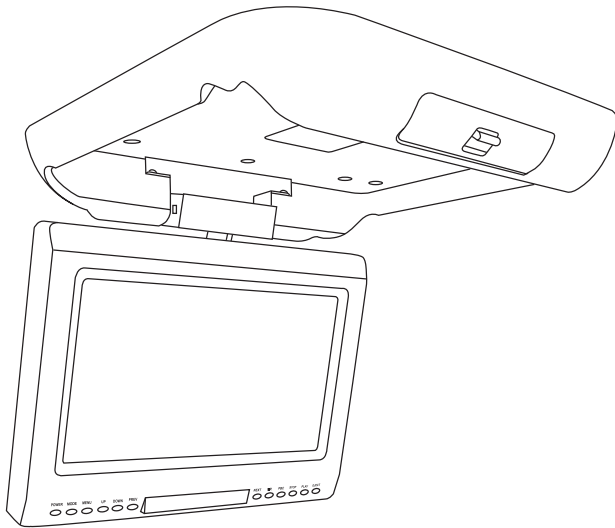


**MOVIE
VISION®**

Owner's Manual

Mobile DVD/CD Player

with 8.5" TFT Monitor



Model: MV850

For operational or technical assistance, after reading this manual,
please call us toll free at (800) 638-3600 or visit www.magnadyne.com

Features

- This unit can play compatible discs recorded in either PAL or NTSC format.
- CD, DVD, CD-R, CD-RW, MP3 Compatible.
- Full-function remote control.
- L/R stereo analog audio outputs for connection to existing head unit auxiliary inputs.
- Composite video output.

Use this Product Safely

Driving

Be aware of road and traffic conditions. Keep the volume at a low level.

Moisture

Do not expose the product to water or excessive moisture. This could cause electrical shorts, fire or other damage.

Parking

Parking in direct sunlight can produce very high temperatures inside your vehicle. Give the car interior a chance to cool down before starting playback.

Proper Power Supply

This product is designed to operate with a 12 Volt DC, negative ground battery system.

Protecting the Disc Mechanism

Avoid inserting any foreign objects into the slot of this player. Failure to observe this precaution may cause malfunction of this unit.

Repairs

Contact our customer service representatives. Do not attempt to disassemble or adjust this product yourself.

Installation

The unit should be installed in a horizontal position.

Cleaning

Use a soft cloth with some purified water to clean the screen. Do not use any cleaner or chemical to clean the screen. Usually, a dry cloth will do.

Warning

Be careful not to drop or apply undue pressure to the front panel of monitor. If the screen cracks due to misuse, the warranty will be voided!

Contents

Safety Information	3	Basic Operation and Special Functions	9-11
Disc Notes	4	Turn the Unit On	9
Screen and DVD/CD Functions	5-7	Loading a DVD/CD Disc	9
Location of Functions	5	Ejecting a Disc	9
Adjusting the Monitor	6	Play Function	9-10
Inserting a DVD/CD	6	DVD Special Functions	10-11
Changing to an Auxiliary Input Source	6	CD Special Functions	11
Screen's Remote Control Sensor	7	MP3 Function	11
Screen's Wireless Transmitter Module	7	Setup Menu	11-14
Screen's Dome Lights	7	Installation	15
Remote Control	8-9	Wiring Diagram	16-17
Remote Control Functions	8-9	Specifications	17
		Troubleshooting	18
		Replacement Parts	19-20
		Warranty	20

Safety Information

CAUTION:

THIS MOBILE DVD PLAYER IS A CLASS I LASER PRODUCT. HOWEVER, THIS MOBILE DVD PLAYER USES A VISIBLE/INVISIBLE LASER BEAM WHICH COULD CAUSE HAZARDOUS RADIATION EXPOSURE IF DIRECTED. BE SURE TO OPERATE THE MOBILE DVD PLAYER CORRECTLY AS INSTRUCTED. USE OF CONTROLS OR ADJUSTMENTS OR PERFORMANCE OF PROCEDURES OTHER THAN THOSE SPECIFIED HEREIN MAY RESULT IN HAZARDOUS RADIATION EXPOSURE. DO NOT OPEN COVERS AND DO NOT REPAIR YOURSELF. REFER SERVICING TO QUALIFIED PERSONNEL.

CAUTION:

FCC REGULATIONS STATE THAT ANY UNAUTHORIZED CHANGES OR MODIFICATIONS TO THIS EQUIPMENT MAY VOID THE USER'S AUTHORITY TO OPERATE IT.

WARNING:

- TO REDUCE THE RISK OF FIRE OR ELECTRIC SHOCK, DO NOT EXPOSE THIS EQUIPMENT TO RAIN OR MOISTURE.
- THIS DEVICE IS INTENDED FOR CONTINUOUS OPERATION.
- TO REDUCE THE RISK OF FIRE OR ELECTRIC SHOCK AND ANNOYING INTERFERENCE, USE ONLY THE RECOMMENDED ACCESSORIES.

This product incorporates copyright protection technology that is protected by method claims of certain U.S. patents and other intellectual property rights owned by Magnadyne Corporation and other rights owners. Use of this copyright protection technology must be authorized by Magnadyne Corporation and is intended for home and other limited viewing uses only unless otherwise authorized by Magnadyne Corporation. Reverse engineering or disassembly is prohibited.

Region Management Information:

This Mobile DVD Player is designed and manufactured to respond to the Region Management Information that is recorded on a DVD disc. If the Region number described on the DVD disc does not correspond to the Region number of this Mobile DVD Player, this Mobile DVD Player cannot play this disc.

Disc Notes

Disc Formats Supported by this Player:



Discs which cannot be played with this player:

- DVD-ROM
- CDV
- CD-G

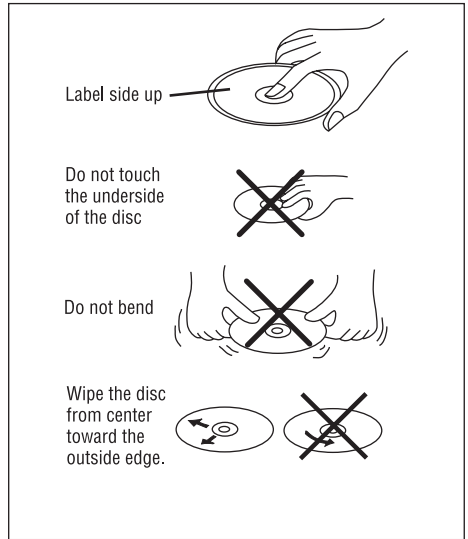
Disc Handling

- Dirt, dust, scratches and warping disc will cause non operation.
- Do not place stickers on disc or scratch disc.
- Do not warp discs.
- A disc should always be kept in its case when not in use to prevent damage.
- Do not place discs in the following places:
 1. Direct sunlight.
 2. Dirty, dusty and damp areas.
 3. Near car heaters.
 4. Car seats or dashboard.

Disc Cleaning

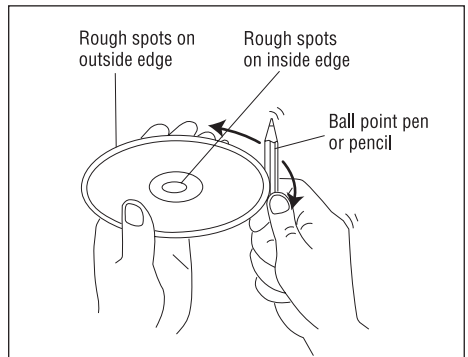
Use a dry soft cloth to wipe the surface. If the disc is quite dirty, use a soft cloth slightly moist with isopropyl (rubbing) alcohol. Never use solvents such as benzine, thinner or conventional record cleaners as they may mar the surface of the disc.

Note: A disc may become somewhat scratched (although not enough to make it unusable) depending on handling and conditions in the usage environment.

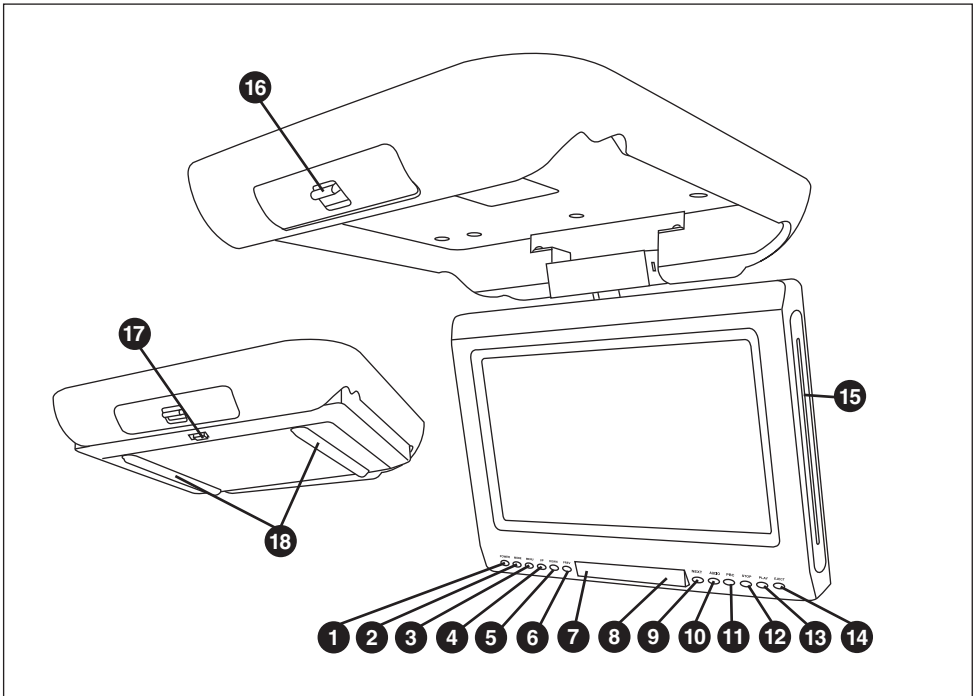


Preparing New Discs with Rough Spots

A new disc may have rough edges on its inside and outside edges. If a disc with rough edges is used, the proper setting will not be performed and the player will not play the disc. Therefore, remove the rough edges in advance by using a ball point pen or pencil as shown. To do this, press the side of the pen or pencil against the inside and outside edges of the disc.



Screen and DVD/CD Functions



- 1. POWER Button:** Press this button to turn the unit On/Off.
- 2. MODE Button:** Press this button to change the play source between DVD/CD player and an auxiliary input source.
- 3. MENU Button:** Activates the monitor adjustment menu.
- 4. UP Button:** Adjusts the monitor's level in menu mode.
- 5. DOWN Button:** Adjust the monitor's level in menu mode.
- 6. PREV Button:** In DVD/CD mode, pressing this button searches for the beginning of the previous track or chapter.
- 7. Infrared Remote Sensor:** This is the sensor for the infrared remote.
- 8. Infrared Wireless Transmitter Module:** The audio signal is converted to an infrared light and transmitted to headphones.
- 9. NEXT Button:** In DVD/CD mode, pressing this button searches for the beginning of the next track or chapter.
- 10. AUDIO Button:** Changes the audio soundtrack on multi-audio soundtrack DVD disc.
- 11. PBC Button:** Used for playback of video CDs.
- 12. STOP Button:** Stops play of picture or audio.
- 13. PLAY Button:** Press the button to play or stop temporarily.
- 14. EJECT Button:** Press to eject the disc.
- 15. Disc Slot:** To play a DVD/CD, insert a disc into slot with label facing forward.
- 16. Viewing Screen Release:** To release the screen, push the tab then pull down the screen. Place the screen to the desired viewing position.
- 17. Dome Light Switch:** Switch to the ON position to activate the dome lights.
- 18. Dome Lights**

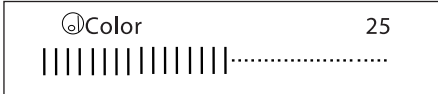
Screen and DVD/CD Functions

Turning the Unit On:

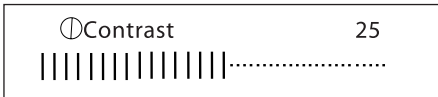
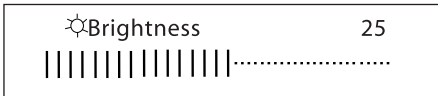
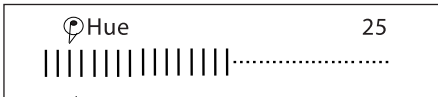
Press the **POWER** on either the remote or the screen housing.

Adjusting the Monitor:

1. Press the **MENU** button to activate the monitor adjustment menu. The following will be displayed on the screen:



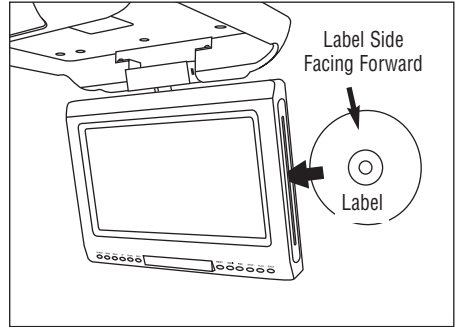
2. Use the **UP** and **DOWN** buttons on the screen housing to adjust the screen color.
3. Press the **MENU** button again to select the next desired monitor adjustment item.



4. Press the **MENU** button again until the monitor adjustment menu disappears or wait 10 seconds and the menu will automatically disappear.

Note: When pressing the **MENU** button after the Contrast screen "AV MODE DVD" appears on the screen. If the **UP** or **DOWN** button is pushed either "DVD" or "GAME IN" will appear permanently on the screen. To eliminate the words from permanently appearing on the screen press the **MENU** button 6 times.

Inserting a DVD/CD



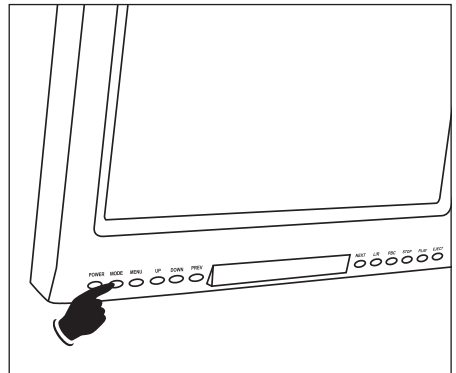
To play a DVD/CD, insert a disc into slot with label side facing forward.

Last Memory

After the engine is turned "Off" or the unit is powered "Off", the unit will resume play at the point play was interrupted when the unit is turned back on again.

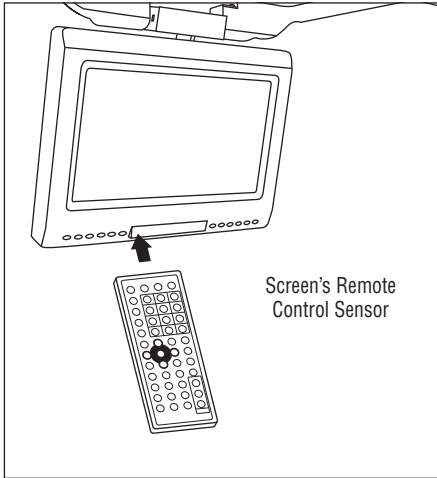
Changing to an Auxiliary Input Source

Press the **MODE** button to change the play source between DVD/CD player and an auxiliary input source. "GAME IN" will be displayed on the screen.



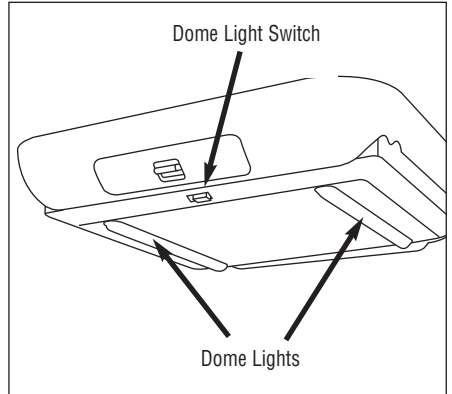
Screen and DVD/CD Functions

Screen's Remote Control Sensor:



Screen's remote control sensor receives the remote's infrared control signals.

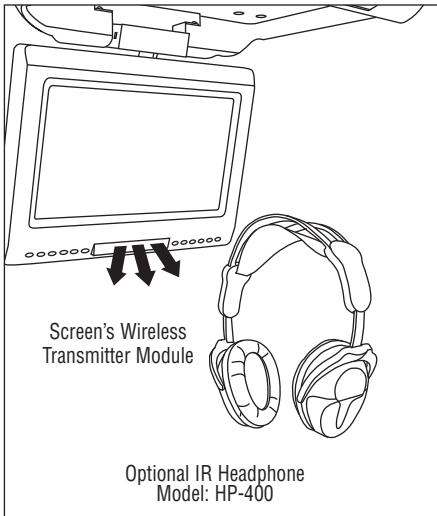
Screen's Dome Light:



To turn on the dome lights, slide the dome light switch to the On position. Slide the dome light switch to the Off position to turn them off.

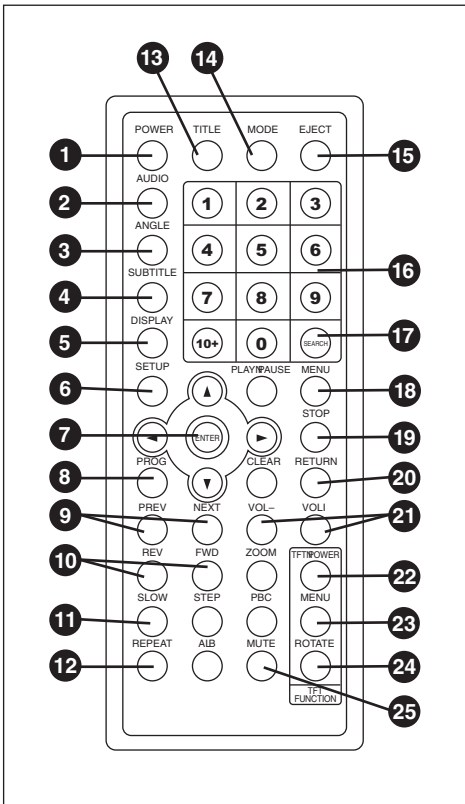
Note: The dome lights will not automatically illuminate whenever the vehicle doors are open. The lights must be activated manually.

Screen's Wireless Transmitter Module:



The audio signal is transmitted via infrared light to the headphones.

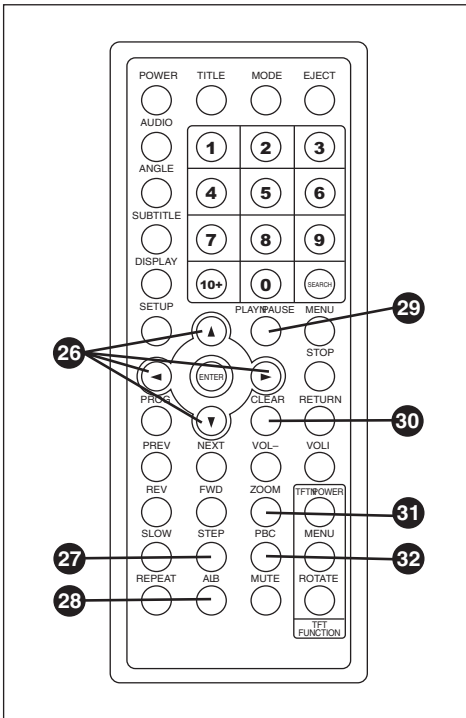
Remote Control Locations



1. **POWER:** Turns the unit On/Off.
2. **AUDIO:** Press the button to change audio languages.
3. **ANGLE:** Press the button to change DVD's picture angle.
4. **SUBTITLE:** Press the button to change DVD's subtitle languages.
5. **DISPLAY:** Press the button to display disc information.
6. **SETUP:** Press the button to enter or cancel SETUP MENU.
7. **ENTER:** Press the button to enter setting.

8. **PROG:** Press the button to program the play order of CD tracks.
9. **PREV/NEXT:** Press these buttons to search for the beginning of track or chapter.
10. **REV/FWD:** Scan backward and forward.
11. **SLOW:** Press the button to slow play DVD to 1/2, 1/4, 1/8, 1/16, or 1/32 speed.
12. **REPEAT:** For DVD's, press the button to repeat title or chapter. For CD's, press the button to repeat a track or the entire disc. For MP3's, press the button to repeat file, directory or the entire disc.
13. **TITLE:** Display DVD's title.
14. **MODE:** Select DVD and auxiliary inputs functions.
15. **EJECT:** Ejects the disc.
16. **0 - 9:** Press these buttons to input numbers.
17. **SEARCH:** Locate title, chapter, time and play.
18. **MENU:** Display DVD's menu screen.
19. **STOP:** Stop play of picture or audio.
20. **RETURN:** Press the button to return to previous item.
21. **VOL-/VOL+:** Press these buttons to decrease or increase volume level.
22. **TFT ON/OFF:** Turns LCD power On/Off.
23. **MENU:** Press the button to change the screen's settings: Color, Hue, Brightness, Contrast. To adjust the screen's settings use the screen's Up and Down buttons or the remote controls ▲ ▼ buttons.
24. **ROTATE:** Rotates the picture on the screen.
25. **MUTE:** Press the button during play to stop audio.

Remote Control Locations and Operation



26. ◀ ▶ ▲ ▼ Use **CURSOR** buttons when selecting setting items or to move cursor up, down, left or right.
27. **STEP:** For DVD frame-by-frame play.
28. **A-B:** Press the button during play to set point A and point B, then program A and B will be played repeatedly. Press the button again to cancel.
29. **PLAY/PAUSE:** Press the button to play or stop temporarily.
30. **CLEAR:** Clear numbers which have been input.
31. **ZOOM:** Press the button during playback of DVD to enlarge an area on the screen.
32. **PBC:** Video disc playback control. DVD's subtitle languages.

BASIC OPERATION

Turn the Unit On

1. Turn the car ignition on to the accessory position.
2. Press the **POWER** button.

Loading a Disc

1. Insert the disc with printed side facing forward into the disc slot. The player will automatically search the disc.

Volume Level Adjustment

Press the **VOL-** or **VOL+** buttons on the remote to increase or decrease volume level.

Muting the Sound Level

Press the **MUTE** button during play to stop audio. Press the **MUTE** button again to restore sound to the previous level.

Ejecting a Disc

Press the **EJECT** button to eject disc.

PLAY FUNCTION

Stopping Play

Press the **STOP** button to stop the disc playback. Press the **PLAY/PAUSE** button on the remote to continue with normal playback at the position it was stopped. When the disc is removed or the **STOP** button is pressed again, the resume function is cancelled.

Pausing Play

Press the **PLAY/PAUSE** button to pause disc during playback. Press the button again to resume play.

Scan Forward and Backward

Press the **REV** or **FWD** button to scan backward or forward.

Return to Previous Chapter or Track

Press the **PREV** button during playback and the play returns to the beginning of the previous chapter or track.

Basic Operation and Special Functions

PLAY FUNCTION (Continued)

Advance to Next Chapter or Track

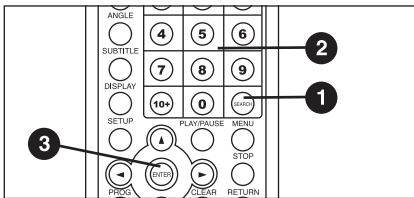
Press the **NEXT** button during playback and the play advances to the beginning of the next chapter or track.

Removing Disc

Press the **STOP** button, then press the **EJECT** button to eject the disc.

Searching for a Specific Chapter or Track

1. Press the **SEARCH** button on the remote.
2. Press numerical key to select track, chapter or time.
3. Press **ENTER** or **PLAY** to play the selected track, chapter or time.



Repeat Play

For DVD's, press the **REPEAT** button to repeat title or chapter.

For CD's, press the **REPEAT** button to repeat a track or the entire disc.

For MP3's, press the **REPEAT** button to repeat file, directory or all.

A-B Repeat

Press the **A-B** button during play to set point A then press again to set point B. The system will repeatedly play the programmed section until the **A-B** button is pressed again which cancels the function.

DVD SPECIAL FUNCTIONS

Slow Play

Each time the **SLOW** button is pressed during DVD play the speed is reduced as follows:

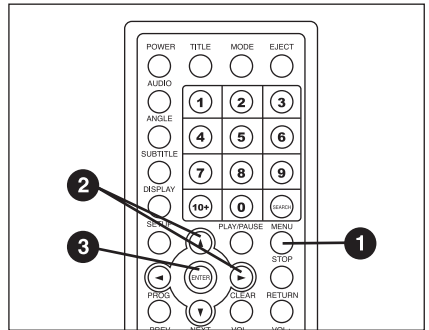
Normal Playback ▶ 1/2 ▶ 1/4 ▶ 1/8 ▶ 1/16 ▶ 1/32

Step Play (Frame by Frame)

Pressing the **STEP** button will pause DVD play. Pressing the **STEP** button again will advance play to the next frame. Repeated pressing will advance the DVD frame by frame. Press the **PLAY** button to cancel this feature.

Display DVD Menu Screen

1. Press the **MENU** button to display the menu screen of the DVD.
2. Use the cursor button to select item.
3. Press **ENTER** or **PLAY** to play the selected.



View Angles of DVD

Press the **ANGLE** button to select the different angles to view.

Note: If the DVD doesn't have multi-angle function, this function isn't applicable.

DVD Zoom

Press the **ZOOM** button during playback of DVD to enlarge an area on the screen.

Note: In zoom mode, press the **CURSOR** buttons to move images up, down, left or right to find the desire image to zoom in on.

Special Functions and Setup Menu

DVD SPECIAL FUNCTIONS (Continued)

Multi-Subtitle Language Function

Press the **SUBTITLE** button during playback. Each time the button is pressed the subtitle language on the screen changes.

Multi-Audio Language Function

Press the **AUDIO** button during playback. Each time the button is pressed the audio soundtrack language on the screen changes.

CD SPECIAL FUNCTIONS

Program CD Play

1. While the CD is playing push the **STOP** button twice (x2).
2. Use the **CURSOR** buttons to select the first desired track. Then press **ENTER** button to confirm. For additional tracks repeat Step 2.
3. Press **PLAY** button to start Program Play.

Random CD Play

1. While the CD is playing push the **STOP** button twice (x2).
2. Push the **PROG** buttons twice (x2) to bypass the programming screen.
3. "CD Random" will be displayed, then push **PLAY** button to start Random CD Play.

MP3 FUNCTION

This unit supports MP3 discs. Use the **CURSOR** buttons to move the cursor through the MP3 directory. Then push **ENTER** to play desired file.

Note: While a disc is playing, push the **PRE** or **NEXT** button to play the previous or next file on the disc.

SETUP MENU

1. Press the **SETUP** button on the remote control, and the setup menu will be displayed. Pressing **SETUP** during disc play will pause play. Play will resume when the setup screen is cancelled.
2. Use the **CURSOR** buttons ◀ ▶ ▲ ▼ to select desired function.
3. Press the **ENTER** button to confirm the selection.



Note:

- Setup the "DISC" function when there is no disc in the DVD player. This function is not available during disc playback.
- Press the **RETURN** button to go back to the last setting. For example, if you input the wrong password in the "PARENTAL LOCK" function, press the **RETURN** button to return to the last setting so the password can be input again.

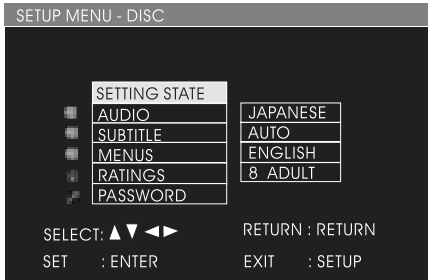
Descriptions of the Setup Menu Functions:

DISC - Disc Setting
VIDEO - Video Setting
AUDIO - Audio Setting
DISPLAY - OSD Language Setting
OTHERS - Other Functions Setting

Setup Menu

DISC SETTINGS

Use the **CURSOR** buttons ◀ ▶ ▲ ▼ to make **DISC** setting selections. Press the **ENTER** button to confirm the setting.



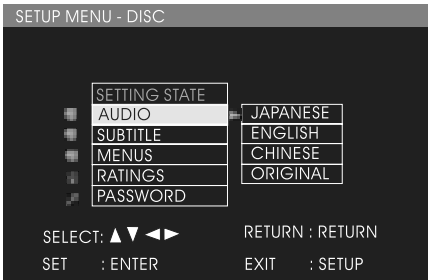
Menu Language Setting

Use this screen to setup the disc menu language.



Audio Setting

Use this screen to setup the audio language on multi-language discs.



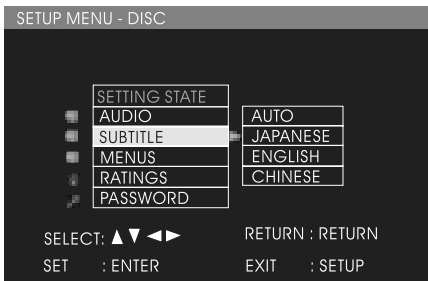
Parental Lock Rating

Use this screen to setup the Parental Lock Rating. This function helps restrict viewing movies with certain ratings (e.g., PG-13, R, etc.) as supported by each DVD.



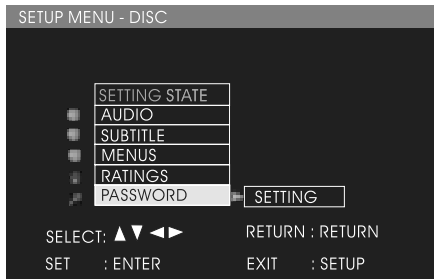
Subtitle Language Setting

Use this screen to setup the subtitle language on multi-subtitle language discs.



Parental Lock Password Setting

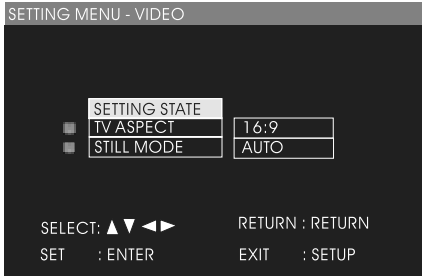
Use this screen to setup a four-digit parental lock password. On the remote control, use this **NUMERIC** keys to enter the password. Press the **ENTER** button to confirm the password.



Setup Menu

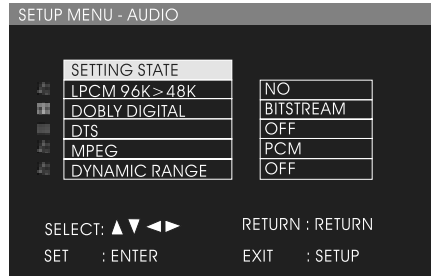
VIDEO SETTINGS

Use the **CURSOR** buttons ◀ ▶ ▲ ▼ to make **VIDEO** setting selections. Press the **ENTER** button to confirm the setting.



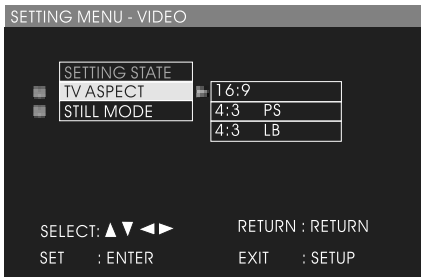
AUDIO SETTINGS

Use the **CURSOR** buttons ◀ ▶ ▲ ▼ to make **AUDIO** setting selections. Press the **ENTER** button to confirm the setting.



TV Aspect Setting

Use this screen to setup the desired TV Aspect Ratio.



DISPLAY SETTINGS

Use the **CURSOR** buttons ◀ ▶ ▲ ▼ to make **OSD Language** setting selections. Press the **ENTER** button to confirm the setting.



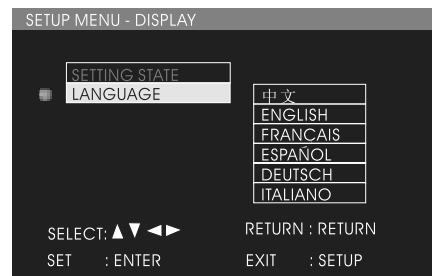
Still Mode Setting

Use this screen to setup the mode to display still pictures. Choose between three modes: Auto, Field and Frame.



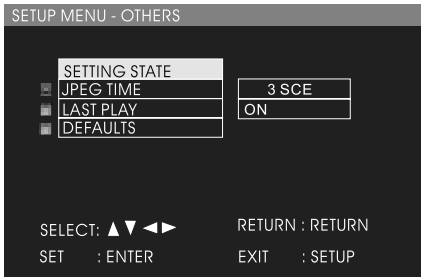
OSD Language Setting

Use this screen to setup the desired OSD Language.



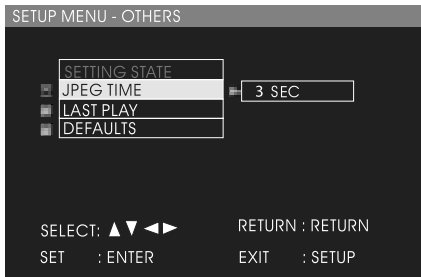
OTHER FUNCTION SETTINGS

Use the **CURSOR** buttons ◀ ▶ ▲ ▼ to make **OTHERS** setting selections. Press the **ENTER** button to confirm the setting.



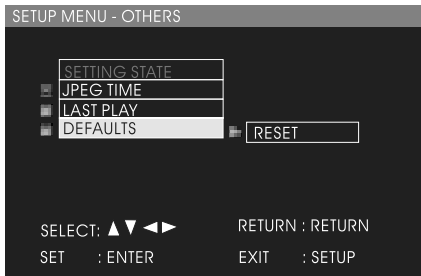
JPEG Time Setting

Use this screen to set up the JPEG image display time from 1 to 180 seconds.



Default Settings

Use this screen to reset all menus to the factory default setting.

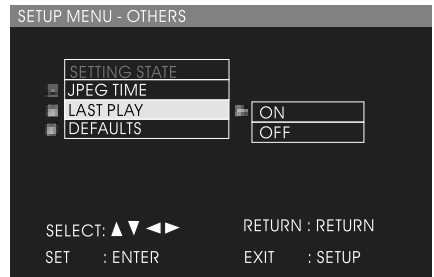


Last Play Function

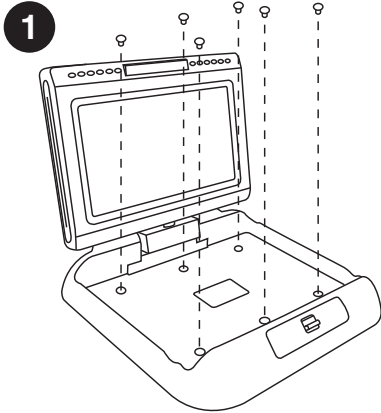
The Last Play function automatically bookmarks the position on a DVD/CD disc and remembers the playback settings. Playback will resume at the position which the player was turned off, the disc was ejected, or the power was cut off.

Turning Off Last Play Function

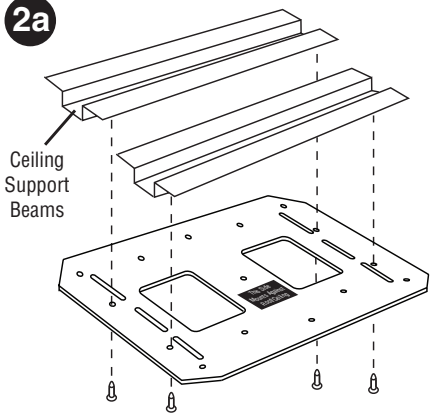
Press the **SETUP** button to display the main menu. Then use the **CURSOR** buttons to select the **OTHERS** menu, then **LAST PLAY** and **ON**. Press the **ENTER** button to confirm the setting.



Installation

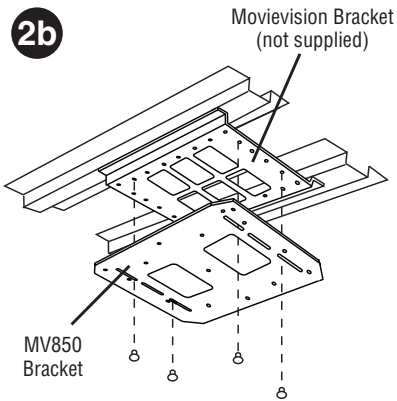


1
Disassemble the metal support bracket from the unit by unscrewing the six screws.



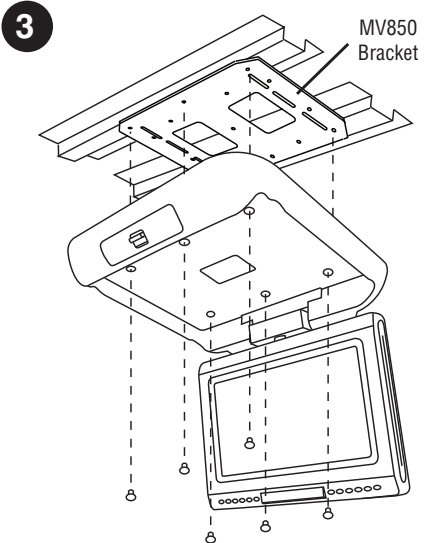
2a
Mount support bracket using screws (not supplied) with the "This Side Mounts Against Roof/Ceiling" label against ceiling support beam(s).

Warning: Take extra care to not penetrate the roof of your car.



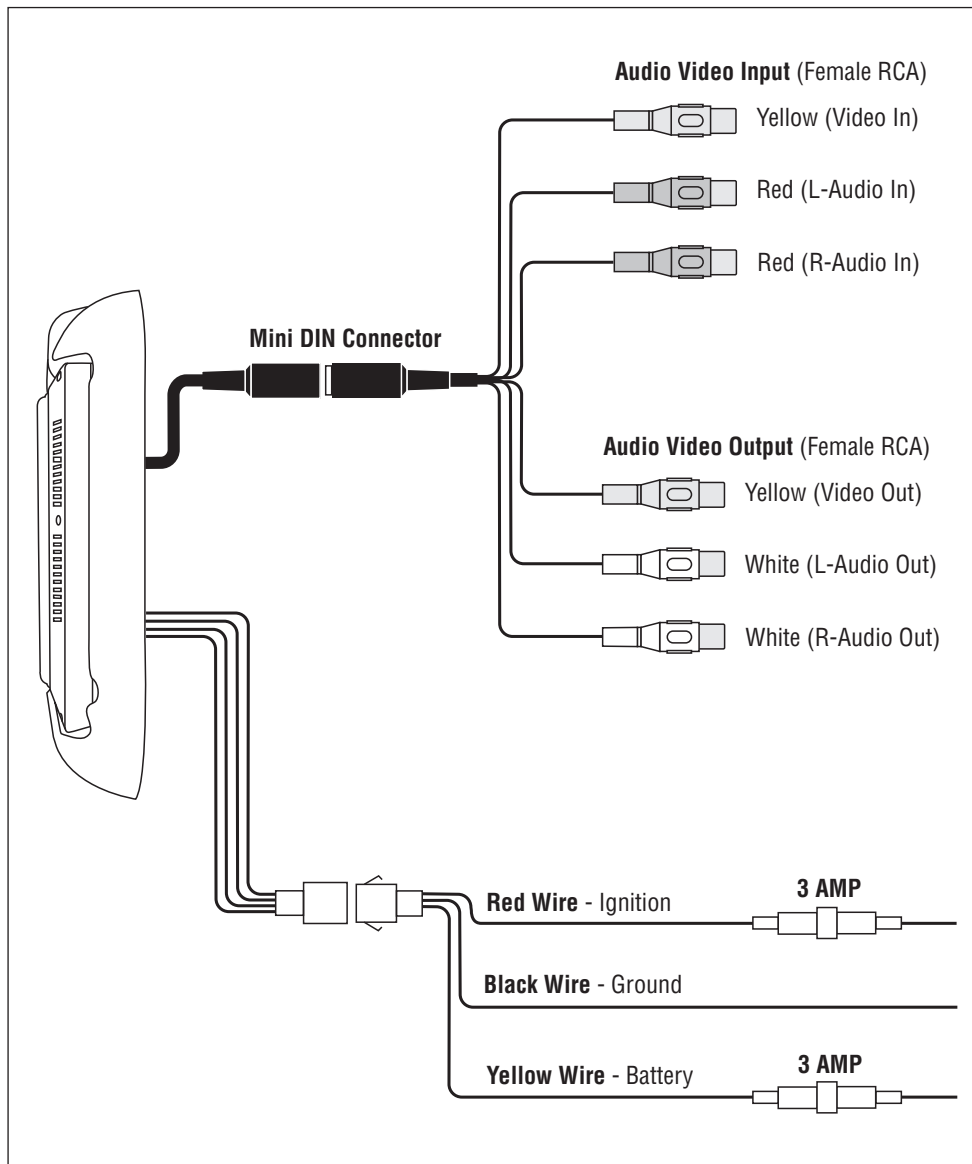
Optional:

2b
Some vehicles may require an optional custom MovieVision bracket. The long slots in the MV850 mounting bracket match up to the screw holes on the MovieVision bracket.



3
Attach the screen housing to the metal support bracket using the screws removed in Step 1.

Wiring Diagram



Wiring Instructions

Power Harness Wiring:

The 3 wire harness provides battery and ignition 12 volts as well as a chassis ground. Route the power harness to the point in the vehicle that you will make the connections.

Red Wire: The red wire in the harness should be connected to a +12 volt power wire that is turned on and of by the position of the ignition key.

Yellow Wire: The yellow wire in the harness should be connected to a constant +12 volt wire that is NOT turned on and off by the position of the ignition key.

Black Wire: The black wire in the harness should be connected to the chassis of the vehicle using a ring terminal and self tapping screw or bolt and nut.

Specifications

Supply Voltage:	12V DC, Negative Ground
Current Consumption:	20 watts maximum
Screen Format:	16:9
Resolution:	480 x 234 pixels
A/V input:	1
A/V output:	1
Compatible Discs:	DVD-Video Disc: DVD 8cm or 12 cm disc (single/double-sided discs) Compact Disc: CD 12 cm disc MP3: MP3 12 cm disc
IR Transmitter:	Yes
Dimensions (mm):	260(w) x 245(d) x 48(h)

Troubleshooting

Only qualified service personnel can remove the cover or service this player. Otherwise the warranty will become invalid.

No Power:

- Check to see if the player is set to "On".
- Check to see that the power plug of the main unit is properly connected.
- Check to see if that power to the outlet is properly working.

No Picture:

- Check to see that the monitor is switched to "On".
- Check that the correct Mode is selected (DVD or AV) by pushing the MODE button.
- Check the video connection.

Distorted Picture:

- Check the disc for fingerprints and clean with soft dry cloth, wiping from center to edge.
- A small amount of picture distortion may appear. This may not be a malfunction.

No Sound:

- Check audio connections.
- If using a Hi-Fi amplifier, try another sound source.

Disc Does Not Play:

- Ensure the disc label is facing forward.
- Clean the disc.
- Check to see if the disc is defective by trying another disc.

The Player Does Not Respond to the Remote Control:

- Aim the remote control directly at the sensor on the front of the housing.
- Avoid all obstacles which may interfere with the signal path.
- Inspect or replace the remote control batteries.

Buttons Do Not Work:

- Press **POWER** to turn "Off" the unit, then press it again to turn "On" the unit.

Volume different for DVD and CD:

- This is due to different recording methods

Replacement Parts Order Form

Send Orders To: Magnadyne Corporation
 ATTN: Consumer Parts Sales
 P.O. Box 5365
 Carson, CA 90749-5365

We Accept Checks, Money Orders, Visa and Master Card
Make Checks Payable to: Magnadyne Corporation

SHIP TO: (No P.O. Boxes)

LAST NAME

FIRST NAME

INITIAL

STREET ADDRESS (IF PAYING WITH A CREDIT CARD, YOUR BILLING ADDRESS IS REQUIRED)

CITY

STATE

ZIP CODE

DAYTIME PHONE NUMBER

CREDIT CARD INFORMATION:

CARD TYPE: VISA MASTER CARD

CARD NUMBER

EXP. MONTH

YEAR

NAME - EXACTLY AS IT APPEARS ON YOUR CREDIT CARD

Part #	Description	Qty.	Price Each	TOTAL
MV1600RM	Remote Control		\$39.95	

Shipping and Handling

Subtotal + Tax	Add
Up to \$20.00	\$5.00
20.01 to 30.00	5.95
30.01 to 45.00	6.50
45.01 to 70.00	6.95
Over 70.01	7.95

Subtotal = _____ . _____

California Residents Add Sales Tax = _____ . _____

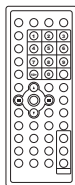
Shipping and Handling (See Chart) = _____ . _____

TOTAL = _____ . _____

No C.O.D.'s

On regular orders please allow 4-5 weeks for delivery. Please give a shipping address where this order may be delivered between the hours of 9 a.m. and 5 p.m. weekdays. If UPS is unable to deliver, your order will be returned and additional shipping charges will be required.

Order By Mail Replacement Parts for MovieVision®



	DESCRIPTION	MODEL #	PRICE
	DVD Remote Control	MV1600RM	\$39.95 Ea.

Warranty

ONE (1) YEAR LIMITED WARRANTY

Magnadyne Corporation or its authorized agents will within 1 year from the date of sale to you, repair, replace or refund the retail sales price of said product or any part thereof, at the option of the Magnadyne Corporation or its authorized agents, if said product or part is found defective in materials or workmanship, when properly connected and operating on the correct power requirements designated for the specific product. This warranty and Magnadyne Corporation or its authorized agents obligations hereunder do not apply where the product was; damaged while in the possession of the consumer, subjected to unreasonable or unintended use, not reasonably maintained, utilized in commercial or industrial operations, or serviced by anyone other than Magnadyne Corporation or its authorized agents, or where the warning seal on the product is broken or the power and/or plugs are detached from the unit. Magnadyne Corporation or any of its authorized agents will not assume any labor costs for the removal and re-installation of any product found to be defective, or the cost of transportation to Magnadyne Corporation or its authorized agents. Such cost are the sole responsibility of the purchaser.

This warranty does not cover the cabinet appearance items or accessories used in connection with this product, or any damage to recording or recording tape, or any damage to the products resulting from improper installation, alteration, accident, misuse, abuse or acts of nature.

MAGNADYNE CORPORATION OR ITS AUTHORIZED AGENTS SHALL NOT BE LIABLE TO ANYONE FOR CONSEQUENTIAL OR INCIDENTAL DAMAGES OR CLAIMS EXCEPT THOSE ACCORDED BY LAW. NO EXPRESSED WARRANTY OR IMPLIED WARRANTY IS GIVEN EXCEPT THOSE SET FORTH HEREIN. NO IMPLIED WARRANTY SHALL EXTEND BEYOND 1 YEAR FROM THE DATE OF SALE.

This warranty extends only to the original purchaser of the product and is not transferable.

Some states do not allow limitations on how long an implied warranty lasts and some states do not allow the exclusion or limitation of incidental or consequential damages, so the above limitations or exclusion may not apply to you. This warranty gives you specific legal rights and you may have other rights that vary from state to state. Defective merchandise should be returned to the original point of purchase or secondly, to Magnadyne Corporation, 1111 W. Victoria Street, Compton CA 90220. Return Authorization must be obtained before sending, or merchandise may be refused.

Free Manuals Download Website

<http://myh66.com>

<http://usermanuals.us>

<http://www.somanuals.com>

<http://www.4manuals.cc>

<http://www.manual-lib.com>

<http://www.404manual.com>

<http://www.luxmanual.com>

<http://aubethermostatmanual.com>

Golf course search by state

<http://golfingnear.com>

Email search by domain

<http://emailbydomain.com>

Auto manuals search

<http://auto.somanuals.com>

TV manuals search

<http://tv.somanuals.com>