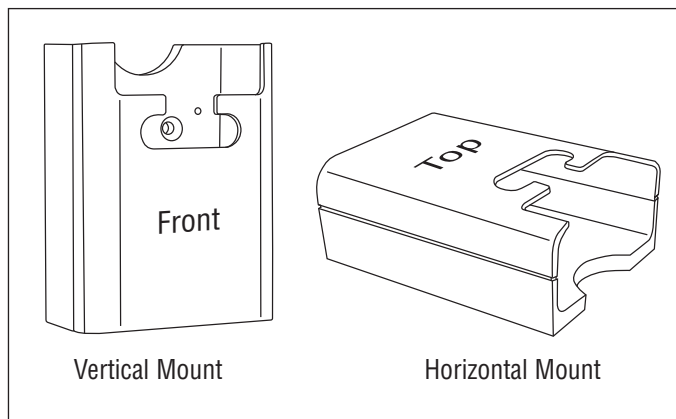


Installation and User Manual

Any model of IPOD with a dock connector can fit perfectly into a single RV-DOCK through the use of Interchangeable Dock Adapters and an Insert. Dock Housing connects to any cable with a connector.

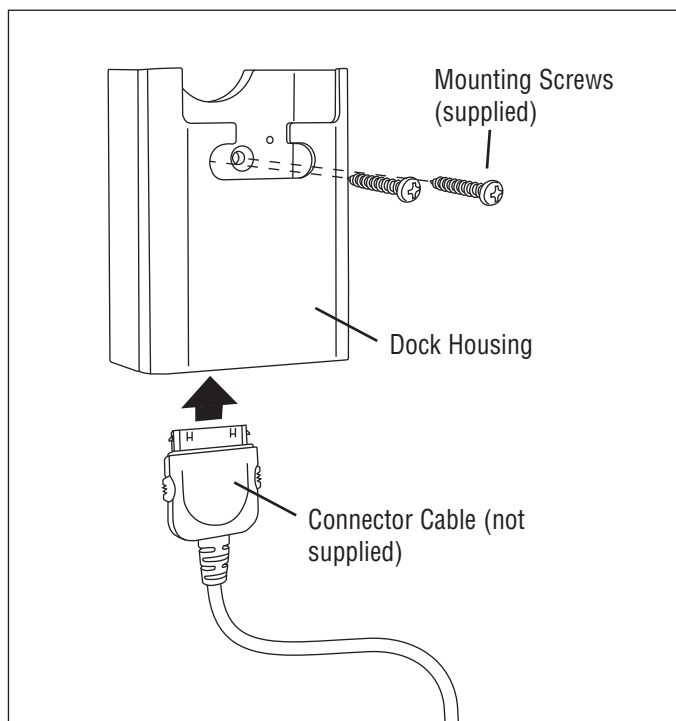
Installation

The RV-DOCK has 2-way mounting capability: Surface or Dash mount. The housing can be installed vertically or horizontally. Choose a mounting location that provides easy access for the user.



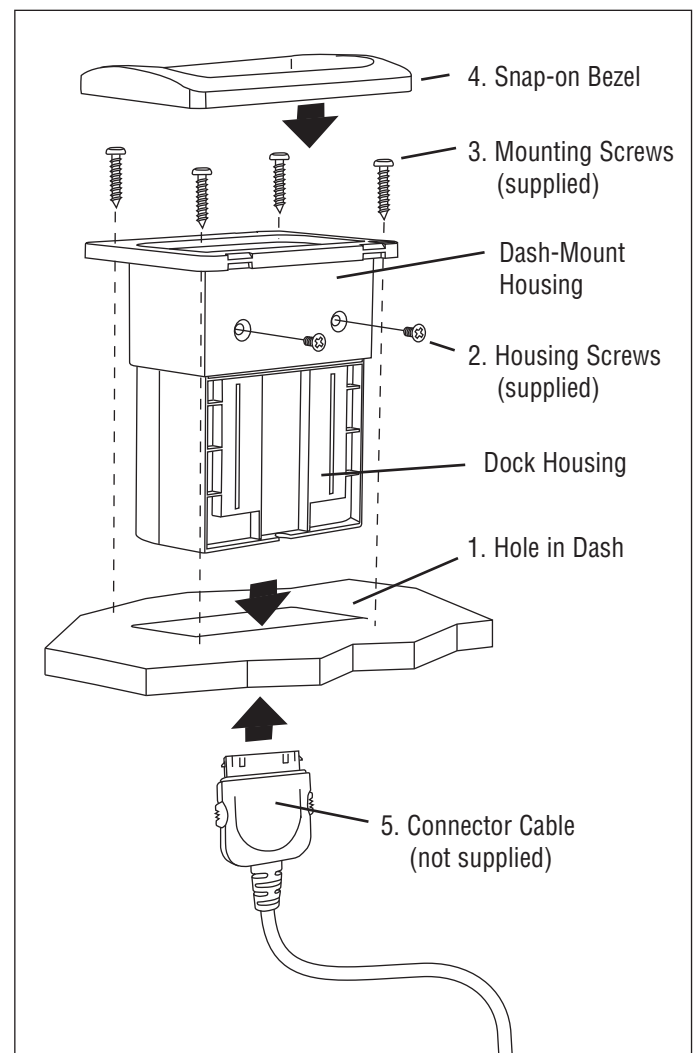
Surface Mounting:

1. Secure the Dock Housing in place by using the supplied mounting screws.
2. Attach the IPOD connector to the bottom of the housing.



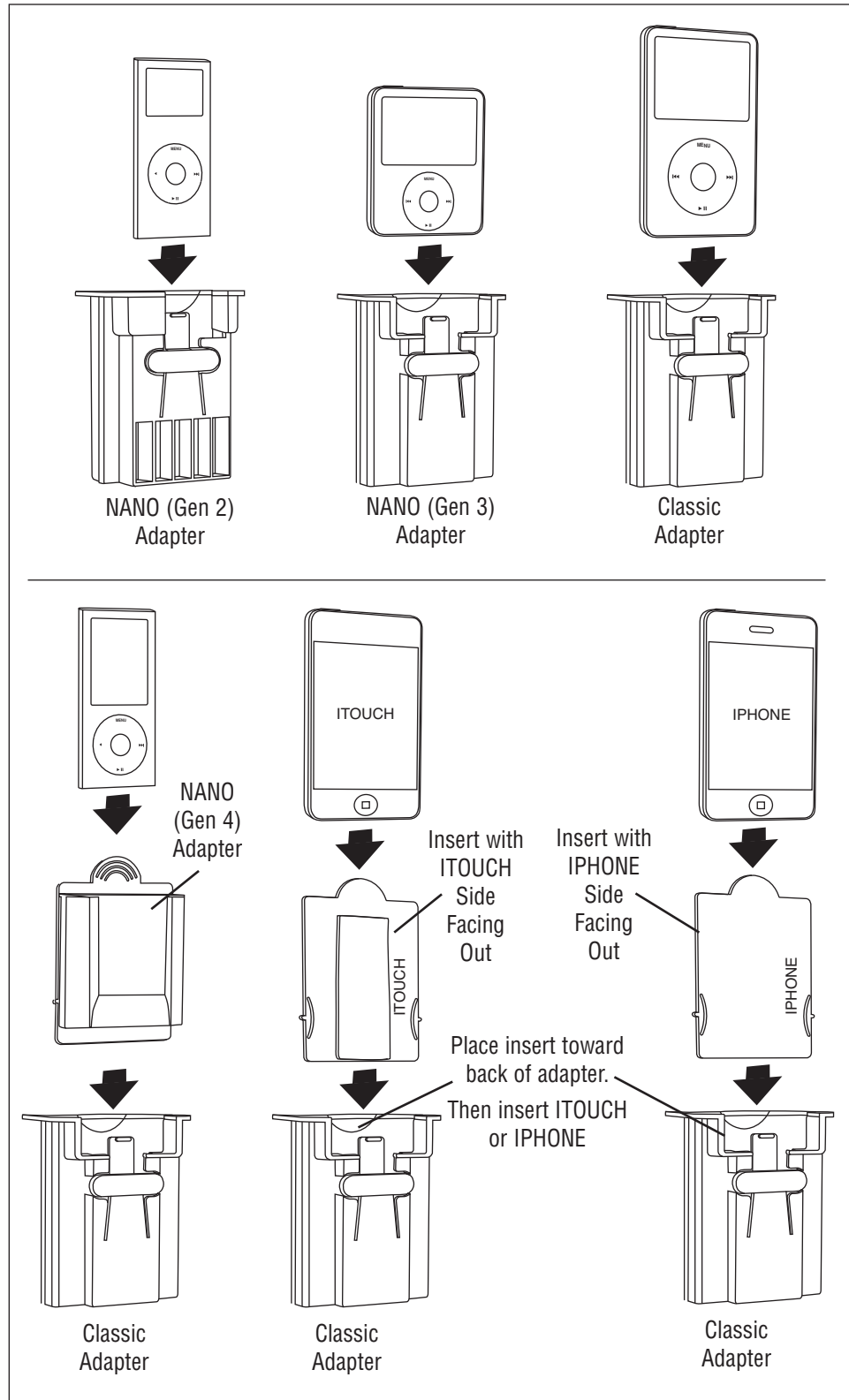
Dash Mounting:

1. Use the enclosed RV-DOCK-TEMPLATE to mark where you want to mount the Docking Station.
 - Note 1:** Make sure there is enough room behind the dash to mount the Dock Housing.
 - Note 2:** When cutting the hole into the dash make sure there are no cables or wires that can be accidentally cut.
2. Secure the Dash-Mount Housing to the Dock Housing using the supplied screws.
3. Secure the Dock Housing to the dash using the supplied mounting screws.
4. Snap-on the Bezel.
5. Attach the connector to the bottom of the housing.

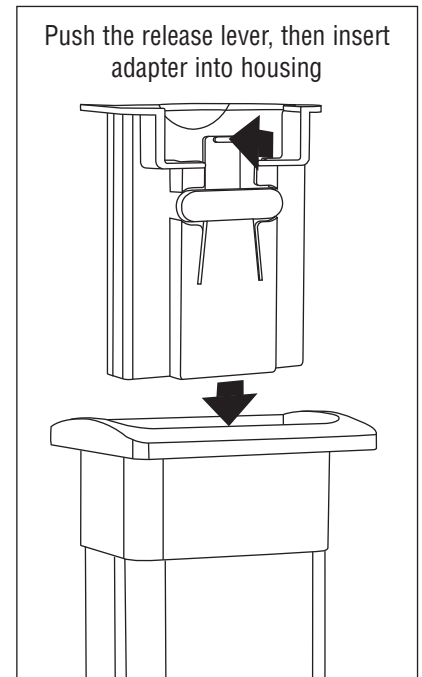


Adapters and Insert

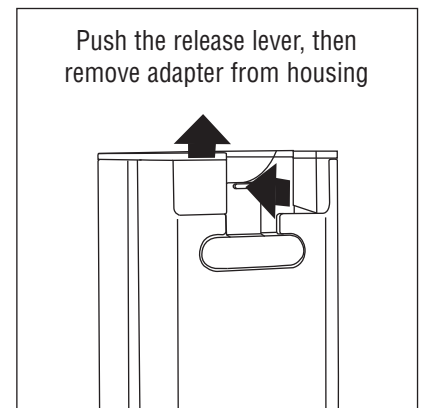
Use the diagram below to choose the Adapter/Insert that fits your player. Identify the adapters by the labels on the back of the adapter housing.



Inserting Adapter



Changing Adapter



Cover



Free Manuals Download Website

<http://myh66.com>

<http://usermanuals.us>

<http://www.somanuals.com>

<http://www.4manuals.cc>

<http://www.manual-lib.com>

<http://www.404manual.com>

<http://www.luxmanual.com>

<http://aubethermostatmanual.com>

Golf course search by state

<http://golfingnear.com>

Email search by domain

<http://emailbydomain.com>

Auto manuals search

<http://auto.somanuals.com>

TV manuals search

<http://tv.somanuals.com>