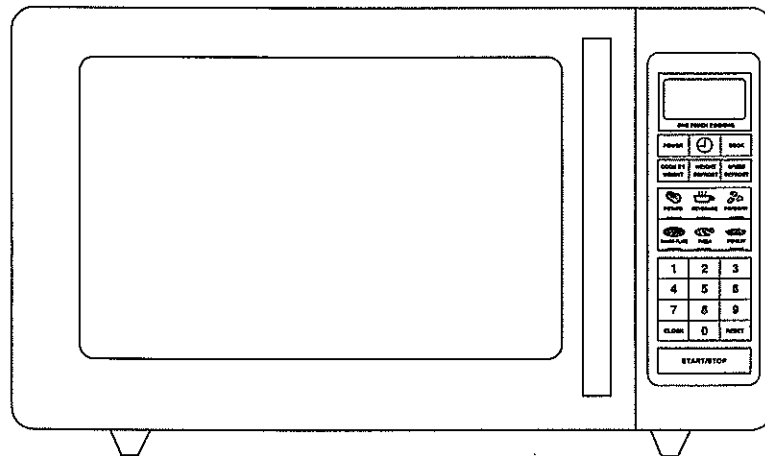


MAGNASONIC

Microwave Oven

MMW6101



1. READ these instructions carefully before installing and operating the oven. Keep them for further reference.
2. Record in the space below the SERIAL NO. found on the nameplate on your oven and retain this information for future reference.

SERIAL NO.:

PRECAUTIONS TO AVOID POSSIBLE EXPOSURE TO EXCESSIVE MICROWAVE ENERGY

- (a) Do not attempt to operate this oven with the door-open since open-door operation can result in harmful exposure to microwave energy. It is important not to defeat or tamper with the safety interlocks.
- (b) Do not place any object between the oven front face and the door or allow soil or cleaner residue to accumulate on sealing surfaces.
- (c) Do not operate the oven if it is damaged. It is particularly important that the oven door close properly and that there is no damage to the :
 - ① Door (bent),
 - ② Hinges and latches (broken or loosened),
 - ③ Door seals and sealing surfaces.
- (d) The oven should not be adjusted or repaired by anyone except properly qualified service personnel.

CONTENTS

PRECAUTIONS TO AVOID POSSIBLE EXPOSURE TO EXCESSIVE MICROWAVE ENERGY.....	1
IMPORTANT SAFETY INSTRUCTIONS.....	2
GROUNDING INSTRUCTIONS.....	3
UTENSILS GUIDE.....	4
COOKING TECHNIQUES.....	6
BEFORE YOU CALL FOR SERVICE.....	7
SPECIFICATIONS.....	7
PART NAMES.....	7
CONTROL PANEL.....	8
OPERATION INSTRUCTIONS.....	9
ABOUT "QUICK COOK" SETTINGS.....	12
CLEANING AND CARE.....	14
MAGNASONIC MICROWAVE OVEN WARRANTY.....	15

IMPORTANT SAFETY INSTRUCTIONS

When using electrical appliances, basic safety precautions should be followed, including the following:

WARNING - To reduce the risk of burns, electric shock, fire, injury to persons or exposure to excessive microwave energy:

1. Read all instructions before using the appliance.
2. Read and follow the specific "PRECAUTIONS TO AVOID POSSIBLE EXPOSURE TO EXCESSIVE MICROWAVE ENERGY" on page 1.
3. Select a level surface that provides enough open space for the intake and/or outlet vents. A minimum clearance of 3 inches is required between the oven and any adjacent wall. One side must be open. Leave a minimum clearance of 3 inches above the oven. Do not cover or block any openings on the appliance. Do not remove feet from the bottom of the oven. This appliance must be grounded. Connected only to properly grounded outlet. See "GROUNDING INSTRUCTIONS" on page 3.
4. Some products such as whole eggs and sealed containers, for example, closed glass jars may explode and should not be heated in this oven.
5. Use this appliance only for its intended use as described in this manual. Do not use corrosive chemicals or vapors in this appliance. This type of oven is specifically designed to heat, cook or dry food. It is not designed for industrial or laboratory use.
6. As with any appliance, close supervision is necessary when used by children.
7. To reduce the risk of fire in the oven cavity:
 - a. Do not overcook food. Carefully attend appliance if paper, plastic or other combustible materials are placed inside the oven to facilitate cooking.
 - b. Remove wire twist-ties from paper or plastic bags before placing bag in oven.
 - c. **If materials inside the oven should ignite, keep oven door closed, turn oven off, and disconnect the power cord or shut off power at the fuse or circuit breaker panel.**
 - d. Do not use the cavity for storage purposes. Do not leave paper products, cooking utensils or food in the cavity when not in use.

SAVE THESE INSTRUCTIONS

8. Microwave heating of beverage can result in delayed eruptive boiling, therefore care has to be taken when handle the container.
9. Do not deep fry food in the microwave. It is difficult to control the fat which could cause a fire hazard.
10. Pierce foods with heavy skins such as potatoes, whole squash, apples and chestnuts before cooking.
11. The contents of feeding bottles and baby jars should be stirred or shaken and the temperature should be checked before serving in order to avoid burns.
12. Cooking utensils may become hot because of heat transferred from the heated food. Potholders may be needed to handle the utensil.
13. Do not cover or block any openings on the appliance.
14. Do not store or use this appliance outdoors. Do not use this product near water, for example, near a kitchen sink, in a wet basement, or near a swimming pool, and the like.
15. Do not operate this appliance if it has a damaged cord or a plug, if it is not working properly or if it has been damaged or dropped.
16. Do not immerse cord or plug in water. Keep cord away from heated surface. Do not let cord hang over edge of table or counter.
17. Use only thermometers which are specifically designed for use in microwave ovens.
18. Do not operate any heating or cooking appliance beneath this appliance.
19. Be certain the glass tray and roller ring are in place when you operate the oven.
20. **WARNING:** It is hazardous for anyone other than a trained person to carry out any service or repair operation which involves the removal of any cover which gives protection against exposure to microwave energy. If there is any damage, do not operate the oven and contact your dealer or MAGNASONIC authorized servicer.

GROUNDING INSTRUCTIONS

This appliance must be grounded. In the event of an electrical short circuit, grounding reduces risk of electric shock by providing an escape wire for the electric current.

WARNING: Improper use of the grounding plug can result in a risk of electric shock.

SAVE THESE INSTRUCTIONS

Electrical Requirements

The electrical requirements are a 120 volt 60 Hz, AC only, 20 amp. It is recommended that a separate circuit serving only the oven be provided. The oven is equipped with a 3-prong grounding plug. It must be plugged into a wall receptacle that is properly installed and grounded.

Extension Cord

If it is necessary to use an extension cord, use only a 3-wire extension cord that has a 3 blade grounding plug and a 3-slot receptacle that will accept the plug on the microwave oven. The marked rating of the extension cord shall be equal to or greater than the electrical rating of the appliance.

- Notes:** 1. If you have any questions about the grounding or electrical instructions, consult a qualified electrician or service person.
2. Neither MAGNASONIC nor the dealer can accept any liability for damage to the oven or personal injury resulting from failure to observe the electrical connection procedures.

Radio or TV Interference

Should there be any interference caused by the microwave oven to your radio or TV, check that the microwave oven is on a different circuit, relocated the radio or TV as far away from the oven as feasible or check position and signal of receiving antenna.

UTENSILS GUIDE

This section lists which utensils can be used in the microwave, which ones have limited use for short periods, and which ones should not be used in the microwave.

Recommended

- **Microwave browning dish** — Use to brown the exterior of small items such as steaks, chops, or pancakes. Follow the directions provided with your browning dish.
- **Microwaveable plastic wrap** — Use to retain steam. Leave a small opening for some steam to escape and avoid placing it directly on the food.
- **Paper towels and napkins** — Use for short-term heating and covering; these absorb excess moisture and prevent spattering. Do not use recycled paper towels, which may contain metal and could ignite.

SAVE THESE INSTRUCTIONS

- **Glass and glass-ceramic bowls and dishes** — Use for heating or cooking.
- **Paper plates and cups** — Use for short-term heating at low temperatures. Do not use recycled paper, which may contain metal and could ignite.
- **Wax paper** — Use as a cover to prevent spattering.
- **Thermometers** — Use only those labeled "Microwave Safe" and follow all directions. Check the food in several places. Conventional thermometers may be used on microwave food once the food has been removed from the oven.

Limited Use

- **Aluminum foil** — Use narrow strips of foil to prevent overcooking of exposed areas. Using too much foil can damage your oven, so be careful. You should keep distance of 1 inch (2.54cm) between aluminum foil and cavity.
- **Ceramic, porcelain, and stoneware** — Use these if they are labeled "Microwave Safe". If they are not labeled, test them to make sure they can be used safely.
- **Plastic** — Use only if labeled "Microwave Safe". Other plastics can melt.
- **Straw, wicker, and wood** — Use only for short-term heating, such as warming dinner rolls for a few seconds; baskets and bowls may be flammable.

Not Recommended

- **Glass jars and bottles** — Regular glass is too thin to be used in a microwave. It can shatter and cause damage and injury.
- **Paper bags** — These are a fire hazard, except for popcorn bags that are designed for microwave use.
- **Styrofoam plates and cups** — These can melt and leave an unhealthy residue on food.
- **Plastic storage and food containers** — Containers such as margarine tubs can melt in the microwave.
- **Metal utensils** — These can damage your oven. Remove all metal before cooking.

Note: Should you wish to check if a dish is safe for microwaving, place the empty dish in the oven and microwave on HIGH for 30 seconds. A dish which becomes very hot should not be used.

SAVE THESE INSTRUCTIONS

COOKING TECHNIQUES

Your microwave makes cooking easier than conventional cooking, provided you keep these considerations in mind:

Stirring

Stir foods such as casseroles and vegetables while cooking to distribute heat evenly. Food at the outside of the dish absorbs more energy and heats more quickly, so stir from the outside to the center. The oven will turn off when you open the door to stir your food.

Arrangement

Arrange unevenly shaped foods, such as chicken pieces or chops, with the thicker, meatier parts toward the outside of the turntable where they receive more microwave energy. To prevent overcooking, place delicate areas, such as asparagus tips, toward the center of the turntable.

Shielding

Shield food with narrow strips of aluminum foil to prevent overcooking. Areas that need shielding include poultry wing-tips, the ends of poultry legs, and corners of square baking dishes. Use only small amounts of aluminum foil. Larger amounts can damage your oven.

Turning

Turn foods over midway through cooking to expose all parts to microwave energy. This is especially important with large foods such as roasts.

Standing

Foods cooked in the microwave build up internal heat and continue to cook for a few minutes after heating stops. Let foods stand to complete cooking, especially foods such as cakes and whole vegetables. Roasts need this time to complete cooking in the center without overcooking the outer areas. All liquids, such as soup or hot chocolate, should be shaken or stirred when cooking is complete. Let liquids stand a moment before serving. When heating baby food, stir well at removal and test the temperature before serving.

Adding moisture

Microwave energy is attracted to water molecules. Food that is uneven in moisture content should be covered or allowed to stand so that the heat disperse evenly. Add a small amount of water to dry food to help it cook.

SAVE THESE INSTRUCTIONS

BEFORE YOU CALL FOR SERVICE

If the oven fails to operate:

A) Check to ensure that the oven is plugged in securely. If it is not, remove the plug from the outlet, wait 10 seconds and plug it in again securely.

B) Check for a blown circuit fuse or a tripped main circuit breaker. If these seem to be operating properly, test the

outlet with another appliance.

C) Check to ensure that the control panel is programmed correctly and the timer is set.

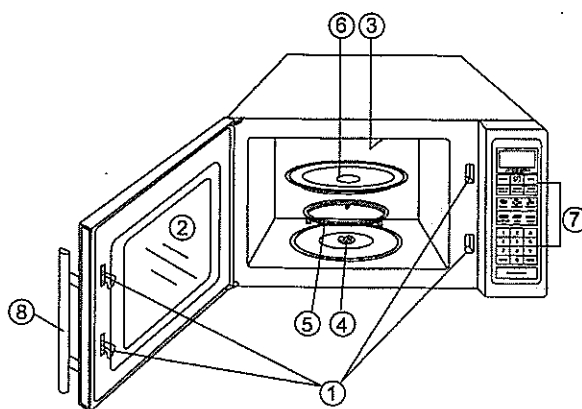
D) Check to ensure that the door is securely closed engaging the door safety lock system. Otherwise, the microwave energy will not flow into the oven.

IF NONE OF THE ABOVE RECTIFY THE SITUATION, THEN CONTACT A QUALIFIED TECHNICIAN. DO NOT TRY TO ADJUST OR REPAIR THE OVEN YOURSELF.

SPECIFICATIONS

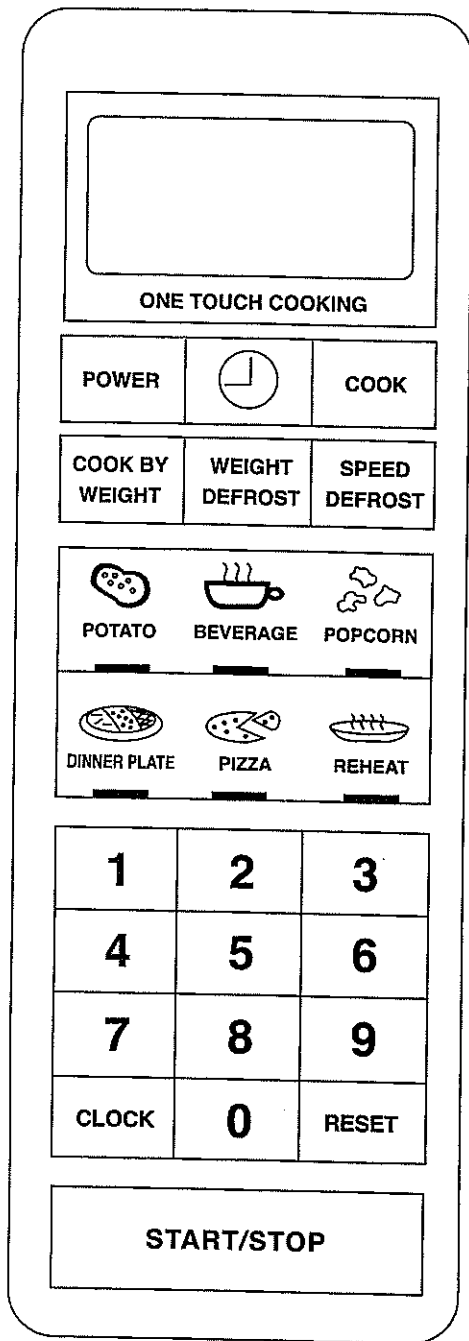
Power Consumption:	120V~60Hz, 1450W
Output:	1000W
Operation Frequency:	2450MHz
Outside Dimensions(H×W×D):	12X20 11/16X 18 13/16 in.
Oven Cavity Dimensions(H×W×D):	8 5/8X 13 3/4 X 15 1/8in.
Oven Capacity:	1.1cu.ft
Cooking Uniformity:	Turntable System (Φ 12 3/8")
Net Weight:	Approx. 39.4lbs.

PART NAMES



- ① Door Safety Lock System
- ② Oven Window
- ③ Splatter Shield
- ④ Shaft
- ⑤ Roller Ring
- ⑥ Glass Tray
- ⑦ Control Panel
- ⑧ Handle

CONTROL PANEL



(Also see following pages for more detail.)

DISPLAY

Cooking time, power, indicators and present time are displayed.

POTATO BEVERAGE
POPCORN DINNER PLATE
PIZZA REHEAT

Allows you to reheat or cook food automatically without entering power level or time.

POWER

Use to set power level.

TIMER

You can use the TIMER function independently, even while a cooking program is going on in the oven.

COOK

Cook at one power level for a period of time, then the oven automatically switch to another power level for the rest of cooking time.

COOK BY WEIGHT

Touch to enter weight of meat accurately. The oven automatically sets the cooking time and power level.

WEIGHT DEFROST

Touch to set the weight of the food to be defrosted; the oven automatically sets the defrosting time and power level.

SPEED DEFROST

Touch to set defrosting time; the oven automatically divides the defrosting time into periods of alternating defrost and stand times by cycling on and off.

NUMBER PADS(0-9)

Touch to set times or amounts.

CLOCK

Touch to set the clock.

RESET

Clears all previous settings if touched before cooking starts.

START/STOP

Touch to start or stop cooking.

OPERATION INSTRUCTIONS

BEEPS DURING OVEN SETTINGS

ONE BEEP: Oven accepts the entry.

TWO BEEPS: Oven does not accept the entry, check and try again.

SETTING THE CLOCK

1. Touch CLOCK pad.
2. Use the number pads to enter the correct time. You must touch at least three numbers to set the clock(one for hour and two for minutes).
3. Touch CLOCK pad again.

NOTE:

This is a 12 hour clock. When the oven is first plugged in or when power resumes after a power interruption, the display will show ENTER CLOCK TIME, if you prefer to not have the clock displayed, touch RESET pad. You can check the clock time while cooking is in progress by touching the CLOCK pad.

SETTING THE OVEN TIMER

1. Touch TIMER ⊖ pad.
2. Enter the amount of time you want to count down by touching the number pads. Digit time is in minutes

and seconds and set left to right. Set one digit (a 5 for 5 seconds) or up to four digits (2405 for 24 minutes, 5 seconds).

3. Touch START/STOP pad.

NOTE:

- Time countdown can be seen in display for 3 seconds before clock or cooking time is returned to display.
- Touch TIMER ⊖ and then touch RESET to cancel TIMER during timing process.

SETTING COOKING TIMES AND POWER LEVELS**A. One-stage Cooking**

1. Use the number pads to set a cooking time. You can set a cooking time from one seconds to 99 minutes and 99 seconds. If you are setting a time greater than one minute, you must enter numbers for both minutes and seconds. For example, to set 20 minutes, enter 2,0,0,0.
2. If you want to set a power level other than 100% power, touch POWER, then use the number pads to enter the power

level. You can set the power level from 1 to 9.

3. Touch START/STOP to start cooking.

USE THESE SINGLE DIGIT TO REPRESENT POWER LEVELS	
Number pad	% of Power
9	90%
8	80%
7	70%
6	60%
5	50%
4	40%
3	30%
2	20%
1	10%

B. Two-stage Cooking

Some recipes require different stages of cooking at different temperatures.

1. SET STAGE 1:

Follow steps 1 and 2 in "One-stage Cooking".

DO NOT TOUCH START/STOP PAD.

2. SET STAGE 2:

Touch COOK pad then enter proper cooking time and (lower) power level. (Most 2-stage recipes use lower power for second stage.)

3. Touch START/STOP pad.

NOTE:

After total time has elapsed, 4 beeps sound and END appears in display. Touch RESET pad or open oven door to clear END before starting another cooking function.

SETTING "SPEED DEFROST"

1. Touch SPEED DEFROST pad.
2. Enter desired defrosting time by touching correct number pads. Digital

timer sets minutes and seconds from left to right so a single digit can be set (5 for 5 seconds) or up to 4 digits (2405 for 24 minutes 5 seconds).

3. Touch START/STOP pad.

NOTE:

- After time has elapsed four beeps sound and END appears in display. Touch RESET pad or open door to clear END before starting another cooking function.
- After setting SPEED DEFROST, oven can be programmed to automatically switch to one or two-Stage cooking.

A. For speed defrost and one stage cooking, follow steps above. Before touching START/STOP pad, touch COOK pad, enter time and power level. Then touch START/STOP pad.

B. For speed defrost and two stage cooking, follow steps above. Before touching START/STOP pad, enter two-stage cooking programs.

SETTING "COOK BY WEIGHT"

1. Touch COOK BY WEIGHT pad.
2. Enter the one-digit code by touching the correct number pad.
3. Enter weight.
4. Touch START/STOP PAD.

NOTE:

- Your microwave oven makes cooking easy. You set the type and weight of food, and the oven automatically sets the cooking time and power level.

"COOK BY WEIGHT" CODE DESCRIPTIONS		
CODE	TYPE	MAX WEIGHT
1	Beef	5 lb
2	Mutton	5 lb
3	Pork	5 lb

- Meat must be defrosted and at refrigerated temperature.
- Weight must be in pounds and ounces. Ounce weights less than 10 must be preceded by a 0. If label gives weight in pounds only, change the fraction of a pound to ounces using the following chart.

CONVERTING FRACTIONS OF A POUND TO OUNCES	
FRACTIONS OF A POUND	OUNCES
Less than .03	0
.03 to .09	1
.10 to .15	2
.16 to .21	3
.22 to .27	4
.28 to .34	5
.35 to .40	6
.41 to .46	7
.47 to .53	8
.54 to .59	9
.60 to .65	10
.66 to .71	11
.72 to .78	12
.79 to .84	13
.85 to .90	14
.91 to .97	15
above .97	go to next even

- Turn meat over when oven beep twice. Touch START/STOP to resume cooking.
- After total cooking time, 4 beeps sound and END appears in display. Touch RESET or open oven door to clear END before starting another cooking function. Let meat stand few minutes

before carving.

SETTING "WEIGHT DEFROST"

1. Touch WEIGHT DEFROST pad.
2. Enter weight.
3. Touch START/STOP pad.

NOTE:

- Weight must be in pounds and ounces. Ounce weights less than 10 must be preceded by a 0. If label gives weight in pounds only, change the fraction of a pound to ounces using the chart on this page.
- Turn food over when oven beep twice. Touch START/STOP pad to resume defrosting.
- After total defrosting time, 4 beeps sound and END appears in display. Touch RESET or open oven door to clear END before starting another cooking function.

SETTING "SAFETY LOCK"

The safety lock prevents unsupervised operation by little children. To set, press and hold RESET pad for 3 seconds, LOCK indicator lights. To cancel, press and hold RESET pad for 3 seconds, LOCK indicator goes off.

TO STOP THE OVEN WHILE THE OVEN IS OPERATING

1. Touch START/STOP pad.
- You can restart the oven by touching START/STOP pad.
- Touch RESET to erase all instructions.
2. Open the door.

- You can restart the oven by closing the door and touching START/STOP pad.

NOTE:

- Oven stops operating when door is opened.

ABOUT " QUICK COOK " SETTINGS

"QUICK COOK" allows you to cook or reheat food automatically without entering power level or time. When setting "quick cook", check visual guide on pad for correct setting. Three "quick cook" settings allow you to cook several amounts of the same food. These include the "DINNER PLATE", "POTATO" and

"BEVERAGE". After you touch these pads, ENTER AMT appears in the display.

In each "quick cook" category, smaller size food is set by touching pad once. One dot (•) below picture of smaller-size food signifies one touch of the pad. The large size can be set by touching the picture pad twice. Two dots (••) below the picture of large size food signifies two touches of the pad.

SETTING "POPCORN"

1. Touch POPCORN pad.
CODE and 2:10 (2 min. 10 sec.) appears in the display.
POPCORN automatically sets the cooking time for a 3 to 3 1/2 oz. bag of microwave popcorn.
2. Touch START/STOP pad.

NOTE:

- To reset POPCORN time: Tap POPCORN pad twice. ENTER TIME appears in display. Touch number pads to enter minutes and seconds. Touch START/STOP pad. This new cooking time will remain whenever you touch the POPCORN pad until you reset it.

SETTING "POTATO"

For 4 to 6 oz. potatoes:

1. Touch POTATO pad once.
2. Enter number of potatoes by touching number pads from 1 to 4. Cooking times for small-medium potatoes are as follows:

- 1 potato: 4 min. 11 sec.
- 2 potatoes: 7 min. 34 sec.
- 3 potatoes: 10 min. 46 sec.
- 4 potatoes: 13 min. 20 sec.

3. Touch START/STOP pad.

For the large 8 to 10 oz. potatoes:

1. Tap POTATO pad twice.
2. Enter number of potatoes by touching number pads from 1 to 4. Cooking times for large potatoes are as follows:

- 1 potato: 6 min. 32 sec.
- 2 potatoes: 11 min. 01 sec.

3 potato: 15 min. 23 sec.

4 potatoes: 19 min. 29 sec.

3. Touch START/STOP pad.

SETTING "PIZZA"

Reheating a slice (or two thin ones) of leftover pizza:

1. Touch PIZZA pad once. CODE and 0:45 (45 sec.) appears.

2. Touch START/STOP pad.

Heating a whole frozen pizza:

1. Tap PIZZA pad twice. CODE and 2:40 (2 min. 40 sec.) appears.

2. Touch START/STOP pad.

SETTING " BEVERAGE "

For 5 to 7 oz. coffee cups:

1. Touch BEVERAGE pad once.

2. Enter number of cups by touching number pads from 1 to 4. Cooking times for coffee cups are as follows:

1 cup : 1 min. 00 sec.

2 cups: 1 min. 50 sec.

3 cups: 2 min. 40 sec.

4 cups: 3 min. 30 sec.

3. Touch START/STOP pad.

For the larger 10 to 12 oz. coffee mugs:

1. Tap BEVERAGE pad twice.

2. Enter number of mugs by touching number pads from 1 to 4. Cooking times for coffee mugs are as follows:

1 mug: 1 min. 35 sec.

2 mugs: 3 min. 05 sec.

3 mugs: 5 min. 00 sec.

4 mugs: 6 min. 30 sec.

3. Touch START/STOP pad.

SETTING " DINNER PLATE "

Microwaving one or two small (7-9 oz.) frozen dinner:

1. Touch DINNER PLATE pad once.

2. For 1 entree, just touch START/STOP. For 2 entrees, touch the number pad "2". Cooking times for small-size entrees are as follows:

1 entree: 4 min. 15 sec.

2 entrees: 7 min. 30 sec.

3. Touch START/STOP pad.

Microwaving one large (10-12 oz.) frozen dinner :

1. Tap DINNER PLATE pad twice.

2. For 1 entree, just touch START/STOP. For 2 entrees, touch the number pad "2". Cooking times for larger entrees are as follows:

1 entree: 6 min. 00 sec.

2 entrees: 11 min. 00 sec.

3. Touch START/STOP pad.

SETTING " REHEAT "

1. Touch REHEAT pad. CODE and 3:00 (3 min. 00 sec.) appears.

2. Touch START/STOP pad.

NOTE:

This setting lets you reheat a dinner plate of chilled leftovers with good results.

CLEANING AND CARE

1. Turn off the oven and remove the power plug from the wall socket before cleaning.
2. Keep the inside of the oven clean. When food splatters or spilled liquids adhere to oven walls, wipe with a damp cloth. Mild detergent may be used if the oven gets very dirty. Avoid the use of spray and other harsh cleaners as they may stain, streak or dull the door surface.
3. The outside surfaces should be cleaned with a damp cloth. To prevent damage to the operating parts inside the oven, water should not be allowed to seep into the ventilation openings.
4. Wipe the window on both sides with a damp cloth to remove any spills or splatters.
5. Do not allow the control panel to become wet. Clean with a soft, damp cloth. When cleaning the control panel, leave oven door open to prevent oven from accidentally turning on.
6. If steam accumulates inside or around the outside of the oven door, wipe with a soft cloth. This may occur when the microwave oven is operated under high humidity conditions, this is normal.
7. It is occasionally necessary to remove the glass tray for cleaning. Wash the tray in warm sudsy water or in a dishwasher.
8. The roller ring and oven floor should be cleaned regularly to avoid excessive noise. Simply wipe the bottom surface of the oven with mild detergent. The roller ring may be washed in mild sudsy water or dishwasher. When removing the roller ring from cavity floor for cleaning, be sure to replace in the proper position.
9. Remove odors from your oven by combining a cup of water with the juice and skin of one lemon in a deep microwaveable bowl, microwave for 5 minutes. Wipe thoroughly and dry with a soft cloth.
10. When it becomes necessary to replace the oven light, please consult a dealer to have it replaced.

SAVE THESE INSTRUCTIONS

MAGNASONIC MICROWAVE OVEN WARRANTY

We appreciate your purchase of a MAGNASONIC Microwave. We take pride in the quality of our products and have manufactured your new Microwave unit to exacting quality standards. We feel confident that in normal use, it will provide you with satisfactory performance. However, should you experience difficulty, you are protected under the provisions of this warranty.

MAGNASONIC Microwave Ovens are warranted against manufacturing defects in materials and workmanship in normal use for the following periods from the date of purchase by the original user, and is conditional upon the unit being installed and used as directed in the instruction manual.

WARRANTY PERIOD

Domestic Microwave Ovens – Carry-in Service :

One (1) year parts and labour : Seven (7) years on Magnetron – labour not included after initial Twelve (12) months.

MAGNASONIC's obligation under this warranty should be limited to the repair, including all necessary parts and the labour connected therewith, or at our option the exchange of any Microwave Oven which shows evidence of a manufacturing defect within the warranty period. Replacement parts, furnished in connection with this warranty shall be warranted for a period equal to the unexpired portion of the original equipment warranty.

CUSTOMER OBLIGATIONS

This warranty applies to the product from the original date of purchase at retail. Therefore, the owner must provide a copy of the original, dated bill of sale. No warranty service will be performed without a bill of sale. Transportation to and from the service depot is the responsibility of the owner.

WARRANTY EXCLUSIONS

This warranty is extended to MAGNASONIC Microwave Ovens purchased and used in Canada. This warranty shall not apply to appearance or accessory items including but not limited to: glass tray, cabinet, cabinet parts, knobs. This warranty shall, in addition, not apply to damages due to handling, transportation, unpacking, set-up, installation, customer adjustments that are covered in the instruction book, repair or replacement of parts supplied by other than the MAGNASONIC authorized service depot, any malfunction or failure caused by or resulting from abnormal environmental conditions, improper unauthorized service, improper maintenance, modifications or repair by the consumer, abuse, misuse, neglect, accident, fire, flood, or other Acts of God, and incorrect line voltage. This Appliance product is only warranted to the original retail purchaser. This warranty becomes void in the event of commercial rental use. This warranty becomes void in the event serial numbers are altered, defaced or removed.

MAGNASONIC reserves the right to make changes in design or to make additions to or improvements upon this product without incurring any obligation to install the same on products previously manufactured. The foregoing is in lieu of all other warranties expressed or implied and MAGNASONIC neither assumes nor authorizes any person to assume for it any other obligation or liability in connection with the sale or service of this product. In no event shall MAGNASONIC or its MAGNASONIC dealers be liable for special or consequential damage arising from the use of this product, or for any delay in the performance of this warranty due to causes beyond our control.

The purchaser may have other rights under existing provincial or federal laws, and where any terms of this warranty are prohibited by such laws, they are deemed null and void, but the remainder of the warranty shall remain in effect.

HOW TO OBTAIN SERVICE

Should this product require service, you may obtain specific information on how to obtain service by contacting the MAGNASONIC Dealer from whom this product was purchased, or by contacting us directly:

SONIGEM SERVICE

300 Alden Road
Markham, Ontario
L3R 4C1

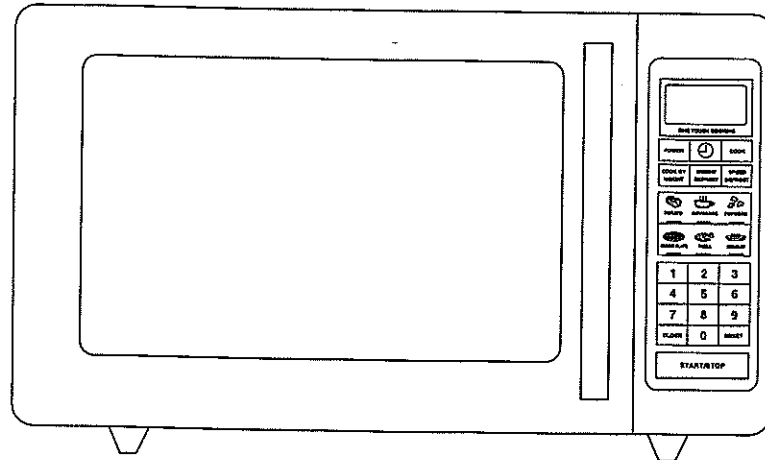
PHONE: (905) 940-5089 FAX: (905) 940-2303

TOLL FREE: 1-800-287-4871

MAGNASONIC

Four à micro-ondes

MMW6101



1. LIRE toutes les instructions contenues dans ce guide avant d'utiliser votre four à micro-ondes. Veuillez conserver ces instructions pour toute référence ultérieure.
2. Veuillez inscrire le NUMÉRO DE SÉRIE dans l'espace ci-dessous. Vous trouverez ce numéro sur la plaque signalétique de votre four à micro-ondes et conservez ce numéro pour référence ultérieure.

NO. DE SÉRIE.:

Mesures préventives importantes

Vous devez, lors de l'utilisation d'appareils électriques, suivre certaines mesures de prévention, dont celles qui suivent:

MISE EN GARDE — Afin de réduire les risques de brûlure, électrocution, incendie ou tout type de blessure corporelle, ainsi qu'une exposition dangereuse aux micro-ondes;

1. Lire toutes les instructions contenues dans ce guide avant d'utiliser votre four à micro-ondes.
2. Lire et suivre les instructions spécifiques contenues à la section : "MESURES PRÉVENTIVES À SUIVRE POUR ÉVITER TOUTE SUREXPOSITION AUX MICRO-ONDES", que l'on peut trouver à la page 1.
3. Choisissez une surface plate qui vous permet de dégager les ouvertures du four. Un espace minimum de 3 po. est nécessaire entre le four à micro-ondes et le mur. Un côté du four doit être dégagé. Laissez un espace de 3 po. au-dessous du four. Cet appareil doit être mis à la terre. Ne raccordez qu'à une prise de courant munie d'une prise de terre adéquate. Référez-vous à la section "INSTRUCTIONS POUR LA MISE À LA TERRE" que vous trouverez à la page 3.
4. Certains produits tels les œufs entiers, les contenants fermés, les pots de verre par exemple, peuvent exploser et ne doivent jamais être chauffés au four à micro-ondes.
5. N'utilisez cet appareil que pour son usage prescrit dans ce guide. Ne faites pas chauffer ni réchauffer de produits chimiques, dissolvants ou autres car les vapeurs qui s'en dégageraient pourraient être corrosives. Ce type de four a été conçu spécifiquement pour réchauffer, cuire et sécher des aliments. Il n'a pas été conçu à des fins commerciales ni industrielles tel un usage en laboratoire.
6. Comme pour tout appareil électrique, vous devez superviser le fonctionnement de près lorsque des enfants se servent du four à micro-ondes.
7. Afin de réduire les risques d'incendie à l'intérieur de la cavité du four:
 - (a) Ne faites pas trop cuire les aliments. Veuillez surveiller la cuisson de près si vous recouvrez les aliments de papier ciré ou d'une pellicule de plastique ou tout autre matériau servant à faciliter la cuisson mais qui peut s'enflammer dans le four.
 - (b) Enlevez toujours les attaches de métal ou de plastique (pouvant contenir une broche de métal au centre) des sacs de plastique ou de papier avant de les placer dans le four.
 - (c) **Si les matériaux s'enflamment à l'intérieur de la cavité, gardez la porte fermée, mettez le four hors tension et débranchez le cordon d'alimentation ou coupez le courant au niveau du disjoncteur.**
 - (d) N'utilisez pas la cavité du four pour ranger des objets divers. N'y laissez pas du papier, des ustensiles de cuisson ou de la nourriture, surtout lorsque vous ne l'utilisez pas.

CONSERVEZ CES INSTRUCTIONS

8. Si vous réchauffez des breuvages dans le micro-ondes, il est recommandé de manipuler les contenants avec le plus grand soin car les boissons bouillantes pourraient déborder.
9. N'utilisez pas le micro-ondes pour faire de la friture. Il est difficile de contrôler l'huile et ceci risquerait de provoquer un incendie.
10. Les pommes de terre, pommes, courges entières et les châtaignes sont des exemples d'aliments dont la peau est épaisse. Pour éviter qu'ils éclatent, vous devez les percer avant de les cuire.
11. Les biberons et les pots de nourriture pour bébé doivent être brassés et la température vérifiée afin d'éviter des brûlures graves.
12. Les plats de cuisson peuvent devenir chauds à cause du transfert de chaleur qui peut survenir lors de l'utilisation du four à micro-ondes. Utilisez des mitaines pour le four afin de manipuler les plats à leur sortie du four à micro-ondes.
13. Ne recouvrez pas et n'obstruez pas les ouvertures de cet appareil.
14. N'entreposez pas cet appareil à l'extérieur. N'utilisez pas le four près de sources d'humidité, par exemple, près d'un évier de cuisine, un sous-sol humide ou une piscine. N'utilisez pas l'appareil à l'extérieur.
15. Ne faites jamais fonctionner l'appareil si son cordon d'alimentation ou sa fiche a été endommagé, si celui-ci ne fonctionne pas adéquatement ou s'il a été endommagé, échappé ou immergé dans l'eau.
16. N'immergez pas le cordon d'alimentation ni sa fiche dans l'eau et ne laissez pas le cordon pendre sur le rebord d'une table ou d'un comptoir.
17. Utilisez uniquement du thermomètre conçu spécifiquement pour l'utilisation au four à micro-ondes.
18. Ne faites pas fonctionner d'appareil de cuisson ou de chauffage en-dessous de ce micro-ondes.
19. Assurez-vous que le plateau de verre et l'anneau à roulettes soient bien en place lorsque vous faites fonctionner le four à micro-ondes.
20. **MISE EN GARDE** : Cet appareil ne doit être réparé que par un technicien autorisé. Il pourrait en résulter une exposition excessive à l'énergie des micro-ondes. Communiquez avec le centre de service autorisé Magnasonic le plus près de chez vous afin de le faire inspecter, réparer ou ajuster.

CONSERVEZ CES INSTRUCTIONS

INSTRUCTIONS DE MISE À LA TERRE

Vous devez effectuer la mise à la terre de cet appareil. S'il devait survenir un court-circuit, la prise de terre réduirait les risques d'électrocution en permettant au courant électrique de suivre une route alternative. **MISE EN GARDE** : L'utilisation inadéquate de cette prise de terre pourrait constituer un risque de choc électrique.

Le four à micro-ondes nécessite une tension de 120 V, 60 Hz de 20 ampères. Il est recommandé d'utiliser un circuit séparé qui ne servira qu'au four à micro-ondes.

Le four est muni d'un cordon d'alimentation ayant une fiche à trois broches avec mise à la terre. Il doit être branché à une prise de courant avec mise à la terre, installée adéquatement.

Cordon d'extension

Si vous devez absolument vous servir d'un cordon d'extension, utilisez uniquement un cordon d'extension à trois fils muni d'une fiche à trois broches avec prise de terre, que vous ne brancherez que dans une prise de courant à trois ouvertures qui recevra complètement la fiche du four à micro-ondes. La capacité électrique du cordon d'extension devrait être égale ou supérieure à celle de l'appareil.

Remarques :

1. Pour toutes questions se rapportant à la mise à la terre ou au branchement électrique de votre four à micro-ondes, consultez un électricien qualifié.
2. Magnasonic ou le marchand qui vous a vendu l'appareil ne pourront être tenus responsables des dommages ou blessures qui pourraient survenir suite à une mauvaise installation électrique de l'appareil.

Interférences produites par une radio un téléviseur

Il se peut que la réception d'un téléviseur ou d'une radio soit mauvaise si le four est placé trop près de l'antenne ou du fil d'antenne. Éloignez le four le plus possible de ces sources d'interférence.

GUIDE DES USTENSILES

Les plats de brunissage pour le four à micro-ondes -

À utiliser pour brunir l'extérieur des petits items tels que les steaks, les côtelettes ou les crêpes. Suivez les instructions fournies avec le plat de brunissage.

Pellicule plastique pour le four à micro-ondes -

À utiliser pour retenir la vapeur pendant la cuisson. Laissez une petite ouverture pour permettre à la vapeur de s'échapper et éviter de déposer la pellicule directement sur les aliments.

Serviettes de papier et essuie-tout -

À utiliser pour recouvrir les aliments pendant lorsque vous réchauffez les aliments pendant une courte période; ceci absorbe l'excès d'humidité et prévient les éclaboussures. N'utilisez pas de serviettes de papier recyclées car elles contiennent des particules métalliques et peuvent causer un incendie.

Les plats de cuisson en verre ou en céramique à l'épreuve de la chaleur sont ceux que l'on utilise le plus pour la cuisson par micro-ondes.

Les tasses et les assiettes en papier peuvent être utilisés brièvement mais une utilisation prolongée peut causer un incendie à l'intérieur du four. Les papiers recyclés contiennent des impuretés qui peuvent causer un amorçage d'arc, risquant d'endommager le four.

CONSERVEZ CES INSTRUCTIONS

Le papier ciré est le plus recommandé pour éviter les éclaboussures dans la cavité du four.

Les thermomètres conçu spécifiquement pour l'utilisation au four à micro-ondes peuvent être utilisés en toute sécurité dans votre four. Vérifiez les aliments en plaçant le thermomètre à différents endroits. Les thermomètres conventionnels peuvent être utilisés une fois que l'aliment est retiré du four.

UTILISATION LIMITÉE

Le papier d'aluminium peut être utilisé en fines lanières pour contrôler les endroits suffisamment cuits. Soyez prudents, l'utilisation excessive de papier d'aluminium peut endommager votre four à micro-ondes.

Les plats de cuisson en verre ou en céramique à l'épreuve de la chaleur sont ceux que l'on utilise le plus pour la cuisson par micro-ondes. Une mention à cet effet doit figurer sur le plat. Si vous n'êtes pas certain, procédez à un test pour vous assurer que le plat se prête à la cuisson au four à micro-ondes.

Les plastiques, seuls les ustensiles conçus spécifiquement pour la cuisson au four à micro-ondes peuvent être utilisés, sinon ils risqueraient de fondre.

La paille, l'osier et le bois, peuvent être utilisés pendant une brève période de temps, pour réchauffer des petits pains dans un panier d'osier par exemple, sinon ils risqueraient de s'enflammer.

NON RECOMMANDÉ

Les bouteilles et les pots en verre standard ne peuvent être utilisés pour la cuisson au four à micro-ondes car ils sont trop minces et risqueraient d'éclater et causer des dommages et des blessures.

Les sacs de papier, constituent un risque d'incendie et ne sont pas recommandés pour la cuisson au four à micro-ondes, à l'exception des sacs pour le maïs soufflé qui sont pour leurs parts conçus à cet effet.

Les assiettes et tasses en styromousse, celles-ci peuvent fondre et laisser un résidu toxique sur les aliments.

Les contenants de plastique et contenants tels les contenants de margarine ne doivent pas être utilisés pour la cuisson par micro-ondes car ils risqueraient de fondre.

Les ustensiles de métal peuvent causer un amorçage d'arc, risquant d'endommager la cavité interne du four à micro-ondes. Retirez tout ustensil de métal avant la cuisson.

Remarque :

Si vous désirez vérifier si un plat ou une assiette convient à la cuisson par micro-ondes, placez l'assiette ou le plat vide dans le four à micro-ondes et mettez celui-ci en marche pendant 30 secondes à la puissance élevée HIGH. Si l'assiette ou le plat devient très chaud, il ne doit pas être utilisé au four à micro-ondes.

CONSERVEZ CES INSTRUCTIONS

TECHNIQUES DE CUISSON

De nombreuses techniques de cuisson par micro-ondes ressemblent à celles de la cuisson conventionnelle. Ces techniques vous aideront à égaliser l'énergie des micro-ondes dans la cavité du four afin de rendre la cuisson plus uniforme.

Brasser les aliments

Brassez les aliments de l'extérieur vers le centre du plat une ou deux fois pendant la cuisson afin de disperser également la nourriture et accélérer la cuisson. Les aliments ne brûleront ni ne colleront pas. Le four s'arrêtera lorsque vous ouvrirez la porte pour brasser vos aliments.

Disposition des aliments

Disposez les aliments tels que les morceaux de poulet ou les côtelettes dont les extrémités sont délicates ou minces, en plaçant les parties plus épaisses vers les rebords du plat et les parties minces, centrées vers l'intérieur. Les parties qui doivent cuire d'avantage recevront ainsi plus d'énergie et les aliments cuiront plus uniformément. Pour éviter la surcuisson, disposez les parties fragiles des aliments, telles que la pointe des asperges vers le centre du plateau de verre.

Recouvrir les aliments

Recouvrez de languettes de papier d'aluminium, les aliments que vous ne désirez pas surcuire. Les aliments qui doivent être ainsi recouverts sont les cuisses de poulet, les ailes de poulet lorsque vous cuisez un poulet entier ainsi que les coins d'un plat de cuisson carré. Utilisez uniquement une petite quantité de papier d'aluminium. Une quantité excessive pourrait endommager votre four.

Tourner les aliments

Tournez les aliments à la mi-cuisson car ceci permettra aux aliments de cuire plus uniformément, surtout lors de la cuisson des aliments denses tels que les rôtis.

Temps de repos

Les micro-ondes génèrent beaucoup d'énergie dans les parties externes des aliments. Suite à une conductivité normale, les aliments continuent à cuire pendant quelques minutes après les avoir retirés du four. Il est recommandé de laisser les aliments tels les gâteaux et les légumes entiers, reposer afin de laisser le centre continuer sa cuisson. Les rôtis ont besoin de ce temps de repos pour terminer leur cuisson au centre sans surcuire l'extérieur. Tous les liquides, tels les soupes ou le chocolat chaud, doivent être brassés lorsque la cuisson est terminée. Laissez les liquides reposer avant de les servir. Lorsque vous réchauffez la nourriture pour bébé, brassez-la et faites un test avant de servir.

Ajouter de l'humidité

L'énergie des micro-ondes est attirée par les molécules d'eau. Les aliments dont le niveau d'humidité est inégal doivent être couverts et on doit leur allouer un temps de repos, afin de permettre à la chaleur de se distribuer de façon égale. Ajoutez une petite quantité d'eau aux aliments secs pour leur permettre de cuire adéquatement.

CONSERVEZ CES INSTRUCTIONS

AVANT DE PLACER UN APPEL DE SERVICE

Si le four ne fonctionne pas :

- A) Assurez-vous que le four soit adéquatement branché. S'il est branché, retirez la fiche de la prise de courant et attendez 10 secondes avant de la rebrancher de nouveau.
- B) Vérifiez les fusibles, il est possible qu'un fusible soit brûlé ou il est possible que le disjoncteur se soit mis en protection. Si ceux-ci fonctionnent bien, vérifiez la prise de courant en branchant un autre appareil dans la prise.
- C) Assurez-vous que le panneau de contrôle soit programmé correctement et que la minuterie soit réglée.
- D) Assurez-vous que la porte soit bien fermée et qu'elle soit bien enclenchée dans le système de verrouillage. Sinon, l'énergie des micro-ondes ne pourra se disperser à l'intérieur de la cavité du four.

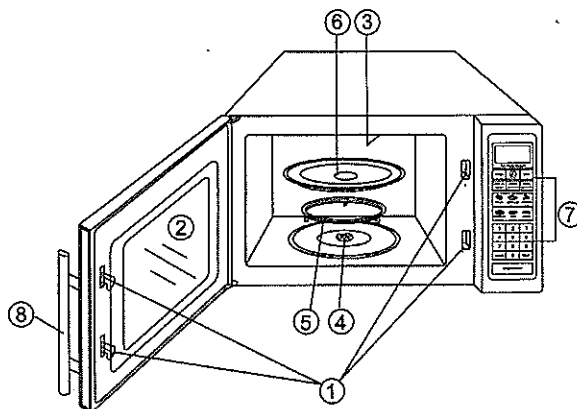
SI AUCUNS DES ÉNONCÉS CI-DESSUS NE RÈGLE LE PROBLÈME, VEUILLEZ CONTACTER UN TECHNICIEN QUALIFIÉ. NE TENTEZ PAS DE RÉPARER VOUS-MÊME L'APPAREIL.

SPÉCIFICATIONS

Alimentation :	120 V – 60 Hz, 1,450 watts
Sortie :	1,000 watts
Fréquence de fonctionnement :	2,450 MHz
Dimensions extérieures (H x L x P) :	12 x 20 11/16 x 18 13/16 po.
Dimensions de la cavité du four (H x L x P) :	8 5/8 x 13 3/4 x 15 1/8 po.
Capacité du four :	1,1 pi. cu.
Uniformité de la cuisson :	Système de plaque tournante (12 3/8 po.)
Poids total :	39.4 lbs approximativement

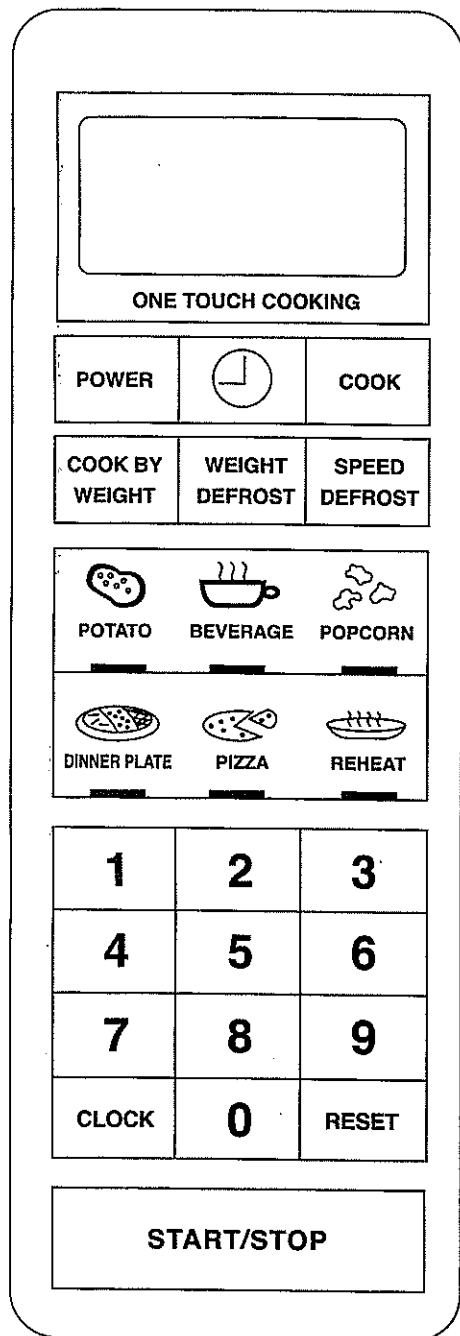
NOMENCLATURE DES PIÈCES

- 1. Verrouillage sécuritaire de la porte
- 2. Fenêtre du four
- 3. Grille anti-éclaboussures
- 4. Moyeu
- 5. Anneau de rotation
- 6. Plateau de verre
- 7. Panneau de commandes
- 8. Poignée



CONSERVEZ CES INSTRUCTIONS

PANNEAU DE CONTRÔLE



(Référez-vous aux pages suivantes pour plus de détails)

AFFICHAGE

Le voyant de la durée de cuisson, la puissance ainsi que l'heure sont affichés.

LES TOUCHES "POTATO" (POMME DE TERRE AU FOUR), "BEVERAGE" (BREUVAGE), "POPCORN" (MAÏS SOUFFLÉ), "DINNER PLATE" (REPAS SURGELÉS) "PIZZA" ET "REHEAT" (RÉCHAUFFER)

Vous permettent de réchauffer ou de cuire automatiquement les aliments à la pression d'une seule touche, sans avoir à entrer le niveau de puissance ou le temps.

TOUCHE D'ALIMENTATION "POWER"

Utilisez cette touche pour régler le niveau de puissance.

TOUCHE DE MINUTERIE "TIMER" ⌚

Vous pouvez utiliser la minuterie indépendamment et ce, même si le four est en cours d'utilisation.

TOUCHE DE CUISSON "COOK"

Cuit les aliments à un niveau de puissance pendant une durée déterminée et change automatiquement à un autre niveau de puissance pour le reste de cuisson.

TOUCHE DE CUISSON PAR LE POIDS

"COOK BY WEIGHT"

Appuyez sur cette touche pour entrer adéquatement le poids de la viande. Le four détermine automatiquement le degré de cuisson et la durée.

DÉCONGÉLATION PAR LE POIDS

"WEIGHT DEFROST"

Appuyez pour régler le poids de l'aliment à décongeler et le four déterminera automatiquement la durée de décongélation et le niveau de puissance.

DÉCONGÉLATION RAPIDE "SPEED DEFROST"

Appuyez sur cette touche pour régler la durée de décongélation et le four à micro-ondes divisera la durée de décongélation en périodes de décongélation/repos ... permettant une décongélation uniforme.

TOUCHES NUMÉRIQUES (0-9)

Appuyez sur cette touche pour régler la durée et le poids.

TOUCHES DE L'HORLOGE "CLOCK"

Appuyez sur cette touche pour régler l'heure.

TOUCHES DE RÉINITIALISATION "RESET"

Si vous appuyez sur cette touche avant que la cuisson ne débute, les réglages seront effacés.

TOUCHES DE DÉPART/ARRÊT "START/STOP"

Appuyez sur cette touche pour débiter ou arrêter la cuisson.

CONSERVEZ CES INSTRUCTIONS

INSTRUCTIONS DE FONCTIONNEMENT

ÉMET DES BIPS EN RÉGLANT LE FOUR

UN BIP : Le four accepte l'entrée.

DEUX BIPS : Le four n'accepte pas l'entrée, vérifiez et essayez de nouveau.

RÉGLER L'HORLOGE

1. Appuyez sur la touche "CLOCK".
2. Utilisez les touches numériques pour entrer l'heure. Vous devez entrer au moins trois chiffres pour régler l'horloge (un pour les heures, et deux pour les minutes).
3. Appuyez de nouveau sur la touche "CLOCK".

REMARQUE :

Ceci est une horloge de 12 heures. Lorsque vous branchez le four à micro-ondes pour la première fois ou lorsque l'électricité est rétablie après une panne de courant, l'inscription "ENTER CLOCK TIME" (entrez l'heure) apparaîtra à l'affichage. Si vous préférez ne pas afficher l'heure, appuyez sur la touche de réinitialisation "RESET". Vous pouvez vérifier la durée pendant la cuisson en appuyant sur la touche "CLOCK".

RÉGLER LA MINUTERIE DU FOUR

1. Appuyez sur la touche "TIMER" ⊕.
2. Entrez la durée désirée en appuyant sur les touches numériques. Le temps est réglé en minutes et en secondes et est réglé de gauche à droite (appuyez sur la touche 5 pour 5 secondes) jusqu'à un total de 4 chiffres (2405 pour 24 minutes 5 secondes).
3. Appuyez sur la touche "START/STOP".

REMARQUE :

- Le compte à rebours est affiché pendant 3 secondes avant que l'horloge ne réapparaisse à l'affichage.
- Appuyez sur la touche "TIMER" ⊕ et sur la touche "RESET" pour annuler la minuterie pendant la cuisson.

RÉGLER LA DURÉE DE CUISSON ET LES NIVEAUX DE PUISSANCE

- A. Cuisson en une étape.
1. Utilisez les touches numériques pour régler la durée de cuisson. Vous pouvez sélectionner la durée de cuisson d'une seconde jusqu'à 99 minutes et 99 secondes. Si vous désirez entrer une durée supérieure à une minute, vous devez entrer les chiffres pour les minutes et les secondes. Par exemple : pour régler 20 minutes, entrez 2,0,0,0.
 2. Si vous désirez régler un niveau de puissance autre que 100%, appuyez sur la touche "POWER" et les touches numériques pour entrer le niveau de puissance. Vous pouvez régler le niveau de puissance de 1 à 9.
 3. Appuyez sur la touche "START/STOP" pour débiter la cuisson.

CONSERVEZ CES INSTRUCTIONS

UTILISEZ LES TOUCHES NUMÉRIQUES SUIVANTES POUR SÉLECTIONNER LE NIVEAU DE PUISSANCE DÉSIRÉ

Touche numérique	% de puissance
9	90%
8	80%
7	70%
6	60%
5	50%
4	40%
3	30%
2	20%
1	10%

B. Cuisson en deux étapes

- 1. RÉGLER L'ÉTAPE 1 :**
Procédez comme aux étapes 1 et 2 de la section "Cuisson en une étape"
N'APPUYEZ PAS SUR LA TOUCHE "START/STOP".
- 2. RÉGLER L'ÉTAPE 2 :**
Appuyez sur la touche "COOK" et entrez la durée de cuisson ainsi que le niveau de puissance (le plus bas). (La plupart des recettes pour cette étape utilisent un niveau de puissance plus bas à la seconde étape.)
- 3. Appuyez sur la touche "START/STOP".**

REMARQUE :

Lorsque toutes les étapes de cuisson seront complétées, 4 bips se feront entendre et l'inscription "END" (fin) apparaîtra à l'affichage. Appuyez sur la touche de réinitialisation "RESET" ou ouvrez la porte du four avant de vous servir à nouveau du four.

RÉGLER LA DÉCONGÉLATION RAPIDE "SPEED DEFROST"

- 1. Appuyez sur la touche "SPEED DEFROST".**
- 2. À l'aide des touches numériques, entrez la durée de décongélation.** La minuterie numérique règle les secondes et les minutes de gauche à droite un seul chiffre ou un total de 4 chiffres peuvent être entrés (5 pour 5 secondes) ou (2405 pour 24 minutes 5 secondes).
- 3. Appuyez sur la touche "START/STOP".**

REMARQUE :

- Lorsque le temps de décongélation est écoulé, quatre bips se feront entendre et l'inscription "END" apparaîtra à l'affichage. Appuyez sur la touche de réinitialisation "RESET" ou ouvrez la porte avant de vous servir à nouveau du four.
- Après avoir réglé le four pour la décongélation rapide "SPEED DEFROST", vous pourrez programmer le four pour qu'il passe automatiquement au mode de cuisson de l'étape 1 ou 2.

CONSERVEZ CES INSTRUCTIONS

- A. Pour la décongélation rapide et la cuisson de l'étape 1, suivez les étapes ci-dessus. Appuyez sur la touche "COOK" et entrez la durée et le niveau de puissance avant d'appuyer sur la touche "START/STOP".
- B. Pour la décongélation rapide et la cuisson de l'étape 2, suivez les étapes ci-dessus. Entrez les séquences de l'étape 2, puis appuyez sur la touche "START/STOP".

RÉGLER LA CUISSON PAR LE POIDS "COOK BY WEIGHT"

1. Appuyez sur la touche "COOK BY WEIGHT".
2. Appuyez sur la touche à un chiffre en appuyant sur la touche numérique correspondante.
3. Entrez le poids.
4. Appuyez sur la touche "START/STOP".

REMARQUE :

- Votre four à micro-ondes vous facilite la vie. Vous réglez le type d'aliment et le poids et le four détermine automatiquement la durée de cuisson et le niveau de puissance.

DESCRIPTION DES CODES DE LA CUISSON PAR LE POIDS "COOK BY WEIGHT"

"COOK BY WEIGHT" CODE DESCRIPTIONS		
CODE	TYPE	POIDS MAX.
1	Bœuf	5 lb.
2	Mouton	5 lb.
3	Porc	5 lb.

- La viande doit être décongelée et réfrigérée.
- Le poids doit être mesuré en livres et en onces. Les onces inférieures à 10 doivent être précédées d'un zéro. Si seulement les livres sont inscrites sur l'emballage, modifiez le poids en onces à l'aide de la charte suivante.

CONVERTIR LES FRACTIONS DES LIVRES EN ONCES

CONVERTIR LES FRACTIONS DES LIVRES EN ONCES			
FRACTIONS D'UN LIVRE	ONCES	FRACTIONS D'UN LIVRE	ONCES
Moins de ,03	0	,47 à ,53	8
,03 à ,09	1	,54 à ,59	9
,10 à ,15	2	,60 à ,65	10
,16 à ,21	3	,66 à ,71	11
,22 à ,27	4	,72 à ,78	12
,28 à ,34	5	,79 à ,84	13
,35 à ,40	6	,85 à ,90	14
,41 à ,46	7	,91 à ,97	15
		Au dessus de ,97	Passez au chiffre entier suivant

CONSERVEZ CES INSTRUCTIONS

- Retournez la viande lorsque vous entendrez deux bips. Appuyez sur la touche "START/STOP" pour reprendre la cuisson.
- Lorsque la cuisson est terminée, vous entendrez un total de quatre bips et l'inscription "END" apparaîtra à l'affichage. Appuyez sur la touche de réinitialisation "RESET" ou ouvrez la porte pour effacer "END" ce qui vous permettra de poursuivre avec la cuisson d'un autre aliment. Allouez un temps de repos à la viande avant de découper la viande.

RÉGLER LA DÉCONGÉLATION PAR LE POIDS "WEIGHT DEFROST"

1. Appuyez sur la touche "WEIGHT DEFROST"
2. Entrez le poids.
3. Appuyez sur la touche "START/STOP".

REMARQUE :

- Le poids doit être mesuré en livres et en onces. Les onces inférieures à 10 doivent être précédées d'un zéro. Si seulement les livres sont inscrites sur l'emballage, modifiez le poids en onces à l'aide de la charte ci-dessus.
- Retournez les aliments lorsque vous entendrez deux bips. Appuyez sur la touche "START/STOP" pour reprendre la décongélation.
- Lorsque la décongélation est terminée, vous entendrez un total de quatre bips et l'inscription "END" apparaîtra à l'affichage. Appuyez sur la touche de réinitialisation "RESET" ou ouvrez la porte pour effacer "END" ce qui vous permettra de poursuivre avec la cuisson d'un autre aliment.

RÉGLER LE VERROUILLAGE DE SÉCURITÉ "SAFETY LOCK"

Le verrouillage de sécurité empêche les enfants de mettre accidentellement en fonction le four à micro-ondes sans surveillance. Pour régler cette fonction, appuyez sur la touche "HOLD" et maintenez-la enfoncée pendant 3 secondes, le voyant à DEL lumineux "LOCK" s'allumera. Pour mettre hors fonction, appuyez sur la touche "LOCK" pendant 3 secondes et le voyant à DEL lumineux s'éteindra.

POUR ARRÊTER LE FOUR LORSQU'IL EST EN FONCTION

1. Appuyez sur la touche "START/STOP".
 - Vous pouvez poursuivre en appuyant de nouveau sur la touche "START/STOP".
 - Appuyez sur la touche de réinitialisation "RESET" pour effacer toutes les instructions.
2. Ouvrez la porte.
 - Vous pouvez redémarrer le four en refermant la porte et en appuyant sur la touche "START/STOP".

REMARQUE :

Le four s'arrête de fonctionner lorsque la porte est ouverte.

CONSERVEZ CES INSTRUCTIONS

À PROPOS DES RÉGLAGES DE CUISSON RAPIDE "QUICK COOK"

La cuisson à une touche "QUICK COOK" vous permet de cuire ou de réchauffer des aliments automatiquement sans entrer de temps ou de niveau de puissance. Lorsque vous réglez la cuisson rapide, référez-vous au guide visuel sur les touches afin de régler la cuisson adéquatement. Les trois niveaux de cuisson rapide "quick cook" vous permettent de cuire une foule d'aliments. Ceux-ci incluent les REPAS CONGELÉS, les POMMES DE TERRE AU FOUR et les BREUVAGES.

Lorsque vous avez appuyé sur l'une de ces touches, l'inscription "ENTER AMT" apparaît à l'affichage. Dans chacune des catégories de cuisson rapide, les petites portions de nourriture peuvent être réglées en appuyant une fois sur la touche. L'apparition d'un point (.) sous l'image de la plus petite portion d'aliment signifie que vous avez appuyé une seule fois sur la touche. La plus grande portion peut être réglée en appuyant deux fois sur la touche. Les deux points (..) sous l'image de la plus grande portion signifie que vous avez appuyé deux fois sur la touche.

RÉGLAGE DE LA CUISSON DU MAÏS SOUFFLÉ "POPCORN"

1. Appuyez sur la touche "POPCORN".
L'inscription "CODE" et 2:10 (2 min. 10 sec.) apparaissent à l'affichage.
Le réglage de la cuisson du maïs soufflé est réglée automatiquement pour un sac de de 3 à 3 1/2 oz.
2. Appuyez sur la touche "START/STOP" : appuyez deux fois sur la touche "POPCORN".
L'inscription "ENTER TIME" apparaît à l'affichage. Appuyez sur les touches numériques pour entrer les minutes et les secondes.

REMARQUE :

Pour réinitialiser la durée de cuisson du maïs soufflé, appuyez deux fois sur la touche "POPCORN". L'inscription "ENTER TIME" apparaît à l'affichage. Appuyez sur les touches numériques pour entrer les minutes et les secondes. Appuyez sur la touche "START/STOP". Cette nouvelle programmation de cuisson sera entrée en mémoire et activée à chaque fois que vous appuyerez sur la touche "POPCORN" et ce, jusqu'à ce que vous changiez le réglage.

CONSERVEZ CES INSTRUCTIONS

RÉGLAGE POUR LA CUISSON DE LA POMME DE TERRE AU FOUR "POTATO"

Pour les pommes de terre de 4 à 6 oz :

1. Appuyez une fois sur la touche "POTATO".
2. Entrez le nombre de pommes de terre que vous désirez cuire à l'aide des touches numériques 1 à 4.
Les durées de cuisson des petites et des moyennes pommes de terre sont les suivantes :
 - 1 pomme de terre : 4 min. 11 sec.
 - 2 pommes de terre : 7 min. 34 sec.
 - 3 pommes de terre : 10 min. 46 sec.
 - 4 pommes de terre : 13 min. 20 sec.
3. Appuyez sur la touche "START/STOP".

Pour les pommes de terre plus grosses :

1. Appuyez deux fois sur la touche "POTATO".
2. Entrez le nombre de pommes de terre que vous désirez cuire à l'aide des touches numériques 1 à 4.
Les durées de cuisson pour les plus grosses pommes de terre sont les suivantes :
 - 1 pomme de terre : 6 min. 32 sec.
 - 2 pommes de terre : 11 min. 01 sec.
 - 3 pommes de terre : 15 min. 23 sec.
 - 4 pommes de terre : 19 min. 29 sec.
3. Appuyez sur la touche "START/STOP".

RÉGLAGE RÉCHAUFFER LES PIZZA

Réchauffer une pointe (ou deux pointes plus minces) de pizza.

1. Appuyez une fois sur la touche "PIZZA". L'inscription "CODE" et 0:45 (45 sec.) apparaissent à l'affichage.
2. Appuyez sur la touche "START/STOP".

Réchauffer une pizza surgelée entière.

1. Appuyez deux fois sur la touche "PIZZA". L'inscription "CODE" et 2:40 (2 min. 40 sec.) apparaîtront à l'affichage.
2. Appuyez sur la touche "START/STOP".

RÉGLAGE POUR RÉCHAUFFER LES BREUVAGES "BEVERAGE"

Pour réchauffer une tasse de café de 5 à 7 oz :

1. Appuyez une fois sur la touche "BEVERAGE".
2. Entrez le nombre de tasses de 1 à 4. Les durées de cuisson sont les suivantes :
 - 1 tasse : 1 min. 00 sec.
 - 2 tasses : 1 min. 50 sec.
 - 3 tasses : 2 min. 40 sec.
 - 4 tasses : 3 min. 30 sec.

CONSERVEZ CES INSTRUCTIONS

3. Appuyez sur la touche "START/STOP".
- Pour des tasses de café plus grandes de 10 à 12 oz :
1. Appuyez deux fois sur la touche "BEVERAGE".
 2. Entrez le nombre de tasses de 1 à 4. Les durées de cuisson sont les suivantes :
 - 1 grosse tasse : 1 min. 35 sec.
 - 2 grosses tasses : 3 min. 05 sec.
 - 3 grosses tasses : 5 min. 00 sec.
 - 4 grosses tasses : 6 min. 30 sec.
 3. Appuyez sur la touche "START/STOP".

RÉGLAGES POUR RÉCHAUFFER LES REPAS SURGELÉS "DINNER PLATE"

Pour réchauffer une ou deux portions de repas surgelé de (7 à 9 oz) :

1. Appuyez une fois sur la touche "DINNER PLATE".
2. Pour une portion, appuyez seulement sur la touche "START/STOP". Pour deux portions, appuyez sur la touche numérique "2". Les durées de cuisson pour les petites portions sont les suivantes :
 - 1 portion : 4 min. 15 sec.
 - 2 portions : 7 min. 30 sec.
3. Appuyez sur la touche "START/STOP".

Pour une portion plus grande (10 à 12 oz) :

1. Appuyez deux fois sur la touche "DINNER PLATE".
2. Pour une portion, appuyez seulement sur la touche "START/STOP". Pour deux portions, appuyez sur la touche numérique "2". Les durées de cuisson pour les petites portions sont les suivantes :
 - 1 portion : 6 min. 00 sec.
 - 2 portions : 11 min. 00 sec.
3. Appuyez sur la touche "START/STOP".

RÉGLER LE MODE DE RÉCHAUFFAGE "REHEAT"

1. Appuyez sur la touche "REHEAT". L'inscription "CODE" et 3:00 (3 min. 00 sec.) apparaît à l'affichage.
2. Appuyez sur la touche "START/STOP".

REMARQUE :

Ce réglage vous permet de réchauffer efficacement une assiette d'aliments froids.

CONSERVEZ CES INSTRUCTIONS

Entretien de votre four à micro-ondes

1. Avant de procéder au nettoyage du four, débranchez la fiche d'alimentation CA de la prise de courant.
2. Gardez l'intérieur du four propre en tout temps. Lorsque les aliments ou les liquides éclaboussent la cavité intérieure du four, essuyez-les immédiatement avec un linge humide. Vous pouvez utiliser un savon doux si le four est très sale. N'utilisez pas de solutions de nettoyage abrasives car elles pourraient endommager la surface du four.
3. Nettoyez la surface extérieure du four avec de l'eau et du savon, rincez et essuyez avec un linge doux. Pour éviter d'endommager les composants internes du four, évitez de faire pénétrer l'eau dans les fentes d'aération.
4. Nettoyez les deux côtés de la fenêtre à l'aide d'un linge humide pour en retirer les éclaboussures.
5. Esuyez le panneau de contrôle dès qu'il est humide. Nettoyez avec un linge doux et humide. Laissez la porte ouverte lorsque vous nettoyez le panneau de contrôle afin d'éviter que le four ne se mette en marche accidentellement.
6. S'il y a accumulation de vapeur sur les deux côtés de la porte du four, essuyez avec un linge doux. Ceci peut survenir lorsque vous utilisez le four dans des conditions très humides et ne signifie pas que le four est défectueux.
7. À l'occasion, il peut être nécessaire d'enlever le plateau en verre pour le nettoyer. Nettoyez le plateau dans de l'eau savonneuse-tiède ou dans le lave-vaisselle.
8. Vous devriez nettoyer les roulettes guide du plateau et le plancher de la cavité intérieure afin de réduire les bruits de rotation. Essuyez simplement le fond du four avec une solution savonneuse ou un nettoyeur à vitre, puis essuyez. Les roulettes guide peuvent être lavées dans un savon doux ou l'eau de la vaisselle.
9. Retirez les odeurs de votre four en combinant une tasse d'eau avec le jus et la pelure d'un citron. Placez le mélange dans un grand bol conçu pour le micro-ondes et cuisez pendant 5 minutes. Essuyez la cavité du four avec un linge doux.
10. Veuillez consulter votre marchand autorisé pour remplacer la lumière du four à micro-ondes.

CONSERVEZ CES INSTRUCTIONS

GARANTIE D'UN FOUR À MICRO-ONDES MAGNASONIC

Nous vous remercions d'avoir acheté ce four à micro-ondes MAGNASONIC. Votre nouvel appareil, comme tous ceux de notre production, est conforme aux normes de qualité les plus strictes. Dans des conditions d'utilisation normales, nous sommes certains qu'il vous donnera entière satisfaction pendant de nombreuses années. Cependant, en cas de problèmes, vous êtes protégé en vertu des clauses de cette garantie.

Lorsqu'utilisés dans des conditions normales, les appareils électriques de MAGNASONIC sont garantis contre tous les défauts de pièces et de main-d'oeuvre, pour les périodes spécifiées ci-dessous, à la condition que lesdits appareils aient été installés et utilisés selon les directives du guide d'utilisation.

PÉRIODE DE GARANTIE

Les fours à micro-ondes domestiques -- Service au centre de service : - 1 an pour les pièces et la main-d'oeuvre;
7 ans sur le magnétron (pièces seulement)

L'obligation de MAGNASONIC, en vertu des clauses de cette garantie, est limitée à la réparation, y compris le remplacement des pièces et le coût de la main-d'oeuvre pertinente, ou, à notre discrétion, au remplacement de tout four à micro-ondes qui présente des défauts de fabrication pendant la période de garantie.

Les pièces remplacées fournies en rapport avec cette garantie, sont couvertes pour une période égale à la portion résiduelle de la garantie de l'équipement original.

OBLIGATIONS DU CLIENT

L'appareil est couvert par la garantie à partir de la date d'achat initiale, si celui-ci dans un magasin au détail. Par conséquent, pour bénéficier du service sous garantie, le propriétaire de l'appareil doit présenter la facture originale affichant clairement la date. Au service ne sera effectué sans présentation de la facture. Le propriétaire est le seul responsable de l'expédition de l'appareil au Centre de service et de son retour.

EXCLUSIONS DE LA GARANTIE

Cette garantie ne s'applique qu'aux fours à micro-ondes achetés et utilisés au Canada. Cette garantie ne s'applique ni au fini extérieur ni aux accessoires, y compris, mais ne s'y limitant pas, aux plateaux en verre, pièces du boîtier, boutons, peu importe la cause du dommage. En outre, cette garantie ne s'applique pas aux dommages survenus lors de la manutention, au transport, au déballage, à l'installation, aux réglages effectués par le client qui sont mentionnés dans le guide d'utilisation, aux réparations ou au remplacement des pièces fournies par un centre de service autre qu'un centre autorisé par MAGNASONIC, à toute réparation non autorisée, à l'entretien incorrect, aux réparations ou modifications effectuées par le client, aux mauvais traitements ou au fonctionnement inapproprié, à une négligence, accident, incendie, inondation ou tout autre cas de force majeure, ou au branchement à un circuit dont la tension est inadéquate. La garantie de ce four à micro-ondes ne s'applique qu'à l'acheteur au détail original. Cette garantie est nulle en cas d'utilisation commerciale de l'appareil ou à des fins de location, ou si les numéros de série ont été modifiés ou effacés.

MAGNASONIC se réserve le droit de changer le concept, de faire des modifications ou des améliorations aux produits, sans avoir l'obligation d'effectuer les mêmes changements aux mêmes produits fabriqués auparavant. Ce qui précède remplace toute autre garantie explicite ou implicite et MAGNASONIC n'assume aucune responsabilité ni autorise quiconque d'accepter en son nom toute obligation ou responsabilité liée à la vente, à l'entretien ou aux réparations de ce produit. En aucune circonstance, MAGNASONIC et ses détaillants MAGNASONIC ne seront tenus responsables des dommages spéciaux ou indirects résultant de l'utilisation de l'appareil ou de tout retard dans l'application de cette garantie attribuable à des causes indépendantes de notre volonté. En vertu de certaines lois provinciales ou fédérales, l'acheteur peut avoir d'autres droits spécifiques, et si certaines clauses de cette garantie sont interdites en vertu de ces lois, ces clauses seront nulles et non avenues, mais les autres clauses de cette garantie resteront en vigueur.

COMMENT OBTENIR LES SERVICES OU RÉPARATIONS

En cas de besoin, vous pouvez obtenir tous les renseignements sur les services et réparations en vous adressant au marchand MAGNASONIC qui vous a vendu cet appareil, ou directement à :

SONIGEM
300 Alden Road
Markham, Ontario
L3R 4C1

Téléphone (905) 940-5089 Télécopieur (905) 940-2303
Sans frais : (800) 287-4871

Free Manuals Download Website

<http://myh66.com>

<http://usermanuals.us>

<http://www.somanuals.com>

<http://www.4manuals.cc>

<http://www.manual-lib.com>

<http://www.404manual.com>

<http://www.luxmanual.com>

<http://aubethermostatmanual.com>

Golf course search by state

<http://golfingnear.com>

Email search by domain

<http://emailbydomain.com>

Auto manuals search

<http://auto.somanuals.com>

TV manuals search

<http://tv.somanuals.com>