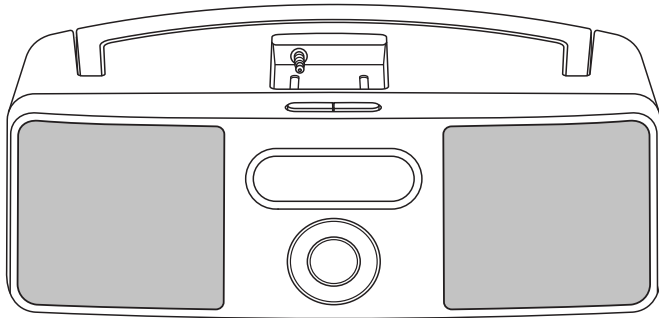


iP642M

AM/FM Digital Radio Boombox
Designed for iPod shuffle Playback

Instruction Manual



Thank you for your purchase of this Magnasonic product. Please read this Instruction Manual carefully before using product to ensure proper use. Keep this manual in a safe place for future reference.

www.magnasonic.ca

IMPORTANT

Since CD circuitry may cause interference to other radio or television tuners nearby, switch this unit off when not in use or move it away from the affected radio tuner.

NOTE:

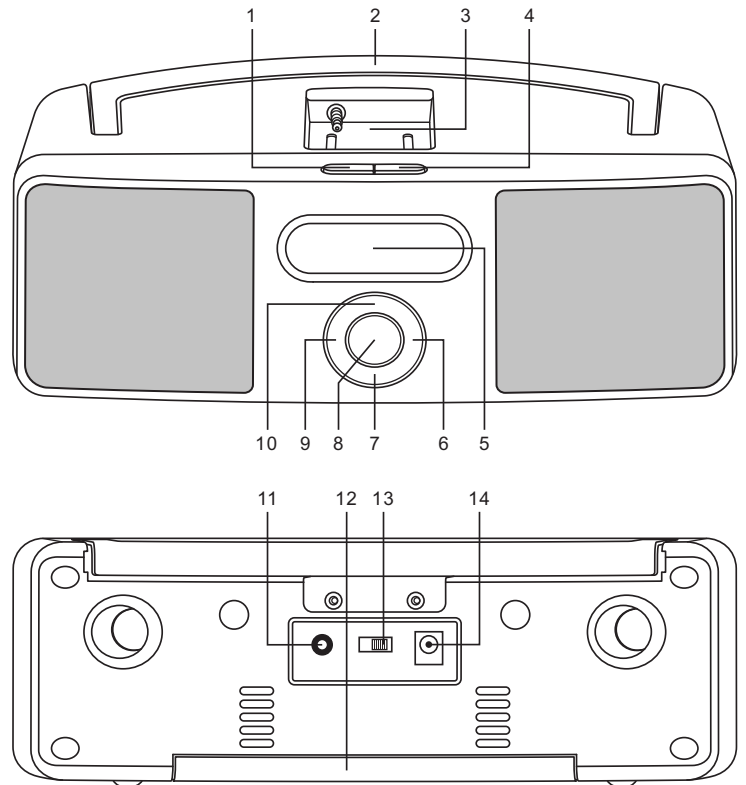
This digital apparatus does not exceed the Class B limits for radio noise emissions from digital apparatus as set out in the Radio Interference Regulations of Industry Canada. These limits are designed to provide reasonable protection against harmful interference in a residential installation. This equipment generates, uses and can radiate radio frequency energy and, if not installed and used in accordance with the instructions, may cause harmful interference to radio communications. However, there is no guarantee that interference will not occur in a particular installation. If this equipment does cause harmful interference to radio or television operation (which can be determined by turning the equipment off), the user is encouraged to try to correct the interference by one or more of the following measures:

- Reorient or relocate the receiving antenna.
- Increase the separation between the equipment and receiver.
- Connect the equipment into an outlet on a circuit different from that to which the receiver is connected.
- Consult the dealer or an experienced radio / TV technician for help.

This Class B digital apparatus complies with Canadian ICES-003.

Location of Features

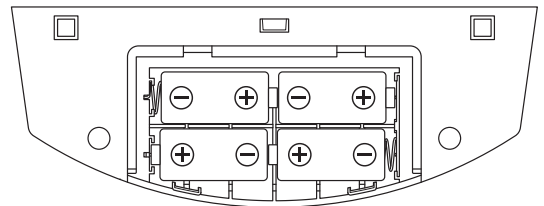
Front and Back View



- | | |
|--------------------------------|-------------------------|
| 1. VOLUME ▼ Button | 8. FUNCTION Button |
| 2. Handle | 9. Tuning ▼ Button |
| 3. Plug Dock for use with iPod | 10. MEMORY UP Button |
| 4. VOLUME ▲ Button | 11. AUX IN |
| 5. Display | 12. Battery Compartment |
| 6. Tuning ▲ Button | 13. POWER ON/OFF |
| 7. MEMORY DOWN Button | 14. DC Input Jack |

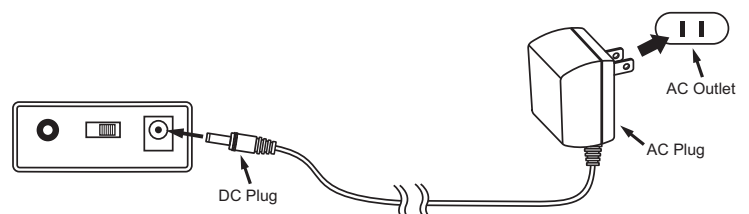
Battery Power Source

1. Open the battery compartment at the bottom of the unit and insert 4 x "C" size batteries (not supply) following the polarity diagram shown inside the battery compartment.
2. Do not mix new batteries with the old ones when using the unit.
3. Batteries should be removed from the compartment if the unit is not to be used for long time.



Using The AC Adaptor

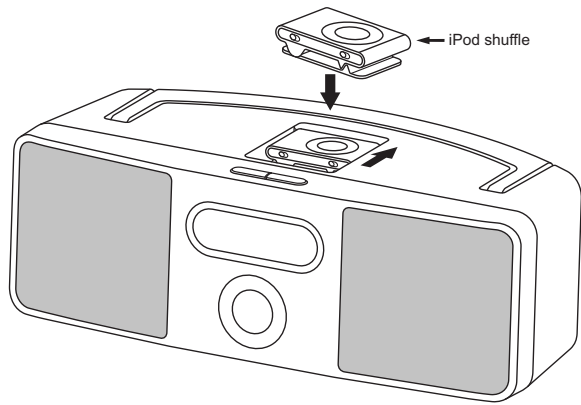
1. Insert the DC adaptor at the end of the adaptor cord into the DC IN Jack at the rear side of the unit.
2. Plug the other end into an AC Outlet.



Note: Only use with the supplied AC Adaptor. Using with another AC adaptor could cause damage. Remove both the DC Plug and AC plug to disconnect the AC adaptor when not necessary.

Insert The iPod shuffle

1. Place the iPod shuffle into the dock with the connector of the iPod facing the plug of the dock.
2. Gently push the iPod shuffle forward with the plug of the dock completely inserted into the connector of the iPod shuffle.



3. To remove, gently pull the iPod shuffle connector away from the plug of the dock and take it away from the dock.

Power On/Off

Switch the POWER button at the rear of the unit to ON or OFF position to turn ON or OFF the unit respectively.

Function Button

Press the FUNCTION button repeatedly to select between the iPod Shuffle, Aux, FM and AM mode.

iPod Shuffle Function

1. Insert the iPod Shuffle output into the 3.5mm input plug at the top of the unit.
2. Press the FUNCTION button repeatedly until "SHUF" appears on the display to select the iPod Shuffle mode.
3. Press the iPod Shuffle Play button to play the iPod Shuffle. The unit will output iPod Shuffle Audio sound through the two speakers.
4. Press the VOLUME ▲ or ▼ button at the top of the unit to adjust your desired sound level.

AUX Function

1. Insert the various types auxiliary equipment audio output to the AUX input jack of the unit.
2. Press the FUNCTION button repeatedly until "AUX" appears on the display to select the AUX function to output the audio sound of your auxiliary equipment.
3. Press the VOLUME ▲ or ▼ button at the top of the unit to adjust your desired sound level.

Note: The auxiliary equipment types can be DVD player, Hi-Fi, Discman, etc.

FM Radio

1. Press the FUNCTION button repeatedly until "FM" appears on the display to select the FM radio mode.
2. Press and hold the Tuning ▲ or ▼ button for 2 seconds to automatically scan through the FM radio frequency band. The unit will stop at the radio station available whenever a station signal is received and the station's broadcasting sound will output through the two speakers.
3. Repeat step 2 to tune to your desired FM radio station.
4. You can also manually tune in your desired FM radio station by pressing the Tuning ▲ or ▼ button repeatedly to scan through the FM frequency band.
5. Press the VOLUME ▲ or ▼ button at the top of the unit to adjust your desired sound level.

AM Radio

1. Press the FUNCTION button repeatedly until "AM" appears on the display to select the AM radio mode.
2. Press and hold the Tuning ▲ or ▼ button for 2 seconds to automatically scan through the AM radio frequency band. The unit will stop at the radio station available whenever a station signal is received and the station's broadcasting sound will output through the two speakers.
3. Repeat step 2 to tune to your desired AM radio station.
4. You can also manually tune in your desired AM radio station by pressing the Tuning ▲ or ▼ button repeatedly to scan through the AM frequency band.
5. Press the VOLUME ▲ or ▼ button at the top of the unit to adjust your desired sound level.

Presetting Memory Stations

This unit can store up to 10 AM and 10 FM memory stations.

1. Press the FUNCTION button repeatedly to select AM or FM mode.
2. Press the Tuning ▲ or ▼ button to receive your desired radio station. Concerning Tuning Procedures please refer to FM and AM radio sections in this instruction manual.
3. Press and hold the FUNCTION button for 2 seconds. "PRESET" and the memory location (1-10) will flash on the display.
4. Press the MEMORY UP button repeatedly to your desired memory location to store your favorite radio station.
5. Press and hold the FUNCTION button for 2 seconds to confirm your preset memory station location selection. The "PRESET" and the memory location will stop flashing and appear on the display.
6. Repeat step 1 to 5 to store up to 10 memory stations.

Specifications

General

Power Source: AC 120 V, 60 Hz and CC 6 V

Batteries: 4 x Size "C", 1.5V

Radio Frequency Coverage:

FM: 87.5 – 108 MHz

AM: 520 – 1710 KHz

Speaker: 2 x 8 ohms

Output Power: 2 x 1W

Weight: 0.8 Kg

Dimensions: 240 (L) x 117 (D) x 82.5 (H) mm

Weight and dimensions are approximate.

MAGNASONIC® WARRANTY

Consumer Electronics, Home Appliances and Home Office Products

Thank you for choosing MAGNASONIC®!

SYNNEX Canada Limited gives the following express warranty to the original consumer purchaser or gift recipient for this MAGNASONIC product, when shipped in its original container and sold or distributed in Canada by SYNNEX Canada Limited or by an Authorized MAGNASONIC Dealer:

SYNNEX Canada Limited warrants that this product is free, under normal use and maintenance, from any defects in material and workmanship. If any such defects should be found in this product within the applicable warranty period, SYNNEX Canada Limited shall, at its option, repair or replace the product as specified herein. Replacement parts furnished in connection with this warranty shall be warranted for a period equal to the unexpired portion of the original equipment warranty.

This warranty shall not apply to:

- a. Any defects caused or repairs required as a result of abusive operation, negligence, accident, improper installation or inappropriate use as outlined in the owner's manual.
- b. Any MAGNASONIC product tampered with, modified, adjusted or repaired by any party other than SYNNEX Canada Limited or MAGNASONIC's Authorized Service Centres.
- c. Damage caused or repairs required as a result of the use with items not specified or approved by SYNNEX Canada Limited, including but not limited to head cleaning tapes and chemical cleaning agents.
- d. Any replacement of accessories, glassware, consumable or peripheral items required through normal use of the product including but not limited to earphones, remote controls, AC adapters, batteries, temperature probe, stylus, trays, filters, cables, paper, cabinet, cabinet parts, knobs, buttons, baskets, stands, shelves, cookware and cooking utensils.
- e. Any cosmetic damage to the surface or exterior that has been defaced or caused by normal wear and tear.
- f. Any damage caused by external or environmental conditions, including but not limited to transmission line/power line voltage or liquid spillage.
- g. Any product received without appropriate model, serial number and CSA /cUL /cULus /cETL /cETLus markings.
- h. Any products used for rental or commercial purposes.
- i. Any installation, setup and/or programming charges.

Should this MAGNASONIC product fail to operate during the warranty period, warranty service may be obtained upon delivery of the MAGNASONIC product together with proof of purchase and a copy of this LIMITED WARRANTY statement to an Authorized MAGNASONIC Service Centre. In-home warranty service may be provided at SYNNEX Canada Limited's discretion on any MAGNASONIC television with the screen size of 27" or larger. This warranty constitutes the entire express warranty granted by SYNNEX Canada Limited and no other dealer, service centre or their agent or employee is authorized to extend, enlarge or transfer this warranty on behalf of SYNNEX Canada Limited. To the extent the law permits, SYNNEX Canada Limited disclaims any and all liability for direct or indirect damages or losses or for any incidental, special or consequential damages or loss of profits resulting from a defect in material or workmanship relating to the product, including damages for the loss of time or use of this MAGNASONIC product or the loss of information. The purchaser will be responsible for any removal, reinstallation, transportation and insurance costs incurred. Correction of defects, in the manner and period of time described herein, constitute complete fulfillment of all obligations and responsibilities of SYNNEX Canada Limited to the purchaser with respect to the product and shall constitute full satisfaction of all claims, whether based on contract, negligence, strict liability or otherwise.

CARRY-IN PARTS & LABOUR WARRANTY PERIODS:

- Audio Products: 1 Year (Remote Control, if applicable – 90 Days)
- DVD Products: 1 Year (Remote Control – 90 Days)
- LCD & Plasma Display TV: 1 Year (Remote Control – 90 Days)
- Television Products: 1 Year (Remote Control – 90 Days)
- VCR Products: 1 Year (Remote Control – 90 Days, Video Heads – 6 Months)
- Home Appliances: 1 Year
 - Microwave Magnetron parts only additional 3 Years
 - Refrigerator / Freezer Compressor parts only, additional 4 years
- Heating / Cooling & Humidification Products: 1 Year (Remote Control – 90 Days)
 - Compressor parts only (if applicable), additional 4 years
- Home Office: 1 Year

To obtain the name and address of the nearest Authorized MAGNASONIC Service Centre or for more information on this warranty

- Visit www.magnasonic.ca
- Mail your inquiry to
SYNNEX Canada Limited
MAGNASONIC Customer Service
200 Ronson Drive, Toronto, ON M9W 5Z9; or
- Call toll free 1-800-663-5954, Monday to Friday 9:00am – 5:00pm Eastern Standard Time.

Free Manuals Download Website

<http://myh66.com>

<http://usermanuals.us>

<http://www.somanuals.com>

<http://www.4manuals.cc>

<http://www.manual-lib.com>

<http://www.404manual.com>

<http://www.luxmanual.com>

<http://aubethermostatmanual.com>

Golf course search by state

<http://golfingnear.com>

Email search by domain

<http://emailbydomain.com>

Auto manuals search

<http://auto.somanuals.com>

TV manuals search

<http://tv.somanuals.com>