

OWNER'S MANUAL

MAGNAVOX

Smart. Very smart.®

50" DLP™ HDTV

50ML8305D/17

(Includes TV Stand Assembly ST509105G/37)



NEED HELP? CALL US!

MAGNAVOX REPRESENTATIVES ARE READY TO HELP YOU WITH ANY QUESTIONS ABOUT YOUR NEW PRODUCT. WE CAN GUIDE YOU THROUGH CONNECTIONS, FIRST-TIME SETUP AND ANY OF THE FEATURES. WE WANT YOU TO START ENJOYING YOUR NEW PRODUCT RIGHT AWAY.

CALL US BEFORE YOU CONSIDER RETURNING THE PRODUCT.
1-800-705-2000

OR VISIT US ON THE WEB AT WWW.MAGNAVOX.COM

Important!

Return your Warranty Registration Card within 10 days.

See Why Inside.

Return your Product Registration Card today to get the very most from your purchase.

Registering your model with MAGNAVOX makes you eligible for all of the valuable benefits listed below, so don't miss out. Complete and return your Product Registration Card at once to ensure:

* Proof of Purchase

Returning the enclosed card guarantees that your date of purchase will be on file, so no additional paperwork will be required from you to obtain warranty service.

* Product Safety Notification

By registering your product, you'll receive notification - directly from the manufacturer - in the rare case of a product recall or safety defect.

* Additional Benefits of Product Ownership

Registering your product guarantees that you'll receive all of the privileges to which you're entitled, including special money-saving offers.

MAGNAVOX

Congratulations on your purchase, and welcome to the "family!"

Dear MAGNAVOX product owner:

Thank you for your confidence in MAGNAVOX. You've selected one of the best-built, best-backed products available today. We'll do everything in our power to keep you happy with your purchase for many years to come.

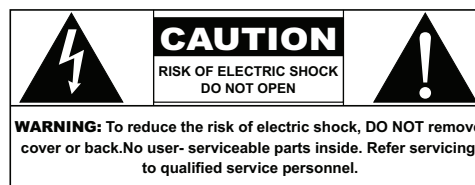
As a member of the MAGNAVOX "family", you're entitled to protection by one of the most comprehensive warranties and outstanding service networks in the industry. What's more, your purchase guarantees you will receive all the information and special offers for which you qualify, plus easy access to accessories from our convenient home shopping network.

Most importantly, you can count on our uncompromising commitment to your total satisfaction.

All of this is our way of saying welcome - and thanks for investing in a MAGNAVOX product.

P.S. To get the most from your MAGNAVOX purchase, be sure to complete and return your Product Registration Card at once.

Know these
safety symbols



This "bolt of lightning" indicates uninsulated material within your unit that may cause an electrical shock. For the safety of everyone in your household, please do not remove product covering.



The "exclamation point" calls attention to features for which you should read the enclosed literature closely to prevent operating and maintenance problems.

CAUTION: To prevent electric shock, match wide blade of plug to wide slot, fully insert.

ATTENTION: Pour éviter les choc électriques introduire la lame la plus large de la fiche dans la borne correspondante de la prise et pousser jusqu'au fond.

For Customer Use

Enter below the Serial No. which is located on the rear of the cabinet. Retain this information for future reference.


Model No. _____

Serial No. _____

Visit our World Wide Web Site at <http://www.magnavox.com>

Important Safety Instructions

Read before Operating Equipment

1. Read these instructions.
2. Keep these instructions.
3. Heed all warnings.
4. Follow all instructions.
5. Do not use this apparatus near water.
6. Clean only with dry cloth.
7. Do not block any ventilation openings. Install in accordance with the manufacturers' instructions.
8. Do not install near any heat sources such as radiators, heat registers, stoves, or other apparatus (including amplifiers) that produce heat.
9. Do not defeat the safety purpose of the polarized or grounding-type plug. A polarized plug has two blades with one wider than the other. A grounding type plug has two blades and a third grounding prong. The wide blade or the third prong are provided for your safety. If the provided plug does not fit into your outlet, consult an electrician for replacement of the obsolete outlet.
10. Protect the power cord from being walked on or pinched particularly at plugs, convenience receptacles, and the point where they exit from the apparatus.
11. Only use attachments/accessories specified by the manufacturer.
12. Use only with the cart, stand, tripod, bracket, or table specified by the manufacturer, or sold with the apparatus. When a cart is used, use caution when moving the cart/apparatus combination to avoid injury from tip-over. 
13. Unplug this apparatus during lightning storms or when unused for long periods of time.
14. Refer all servicing to qualified service personnel. Servicing is required when the apparatus has been damaged in any way, such as power-supply cord or plug is damaged, liquid has been spilled or objects have fallen into the apparatus, the apparatus has been exposed to rain or moisture, does not operate normally, or has been dropped.
15. This product may contain lead and mercury. Disposal of these materials may be regulated due to environmental considerations. For disposal or recycling information, please contact your local authorities or the Electronic Industries Alliance: www.eiae.org
16. **Damage Requiring Service** - Service may be needed if any of the following situations have occurred:
 - A. The power supply cord or the plug has been damaged; or
 - B. Objects have fallen, or liquid has been spilled into the appliance; or
 - C. The appliance has been exposed to rain; or
 - D. The appliance does not appear to operate normally or exhibits a marked change in performance; or
 - E. The appliance has been dropped, or the enclosure damaged.
17. **Title/Stability** - All televisions must comply with recommended international global safety standards for tilt and stability properties of its cabinet design.
 - Do not compromise these design standards by applying excessive pull force to the front, or top, of the cabinet which could ultimately overturn the product.
 - Also, do not endanger yourself, or children, by placing electronic equipment/toys on the top of the cabinet. Such items could fall from the top of the set and cause product damage and/or personal injury.
18. **Power Lines** - An outdoor antenna should be located away from power lines.
19. **Outdoor Antenna Grounding** - If an outside antenna is connected to the receiver, be sure the antenna system is grounded so as to provide some protection against voltage surges and built up static charges. Section 810 of the National Electric Code, ANSI/NFPA No. 70-1984, provides information with respect to proper grounding of the mast and supporting structure, grounding of the lead-in wire to an antenna discharge unit, size of grounding connectors, location of antenna-discharge unit, connection to grounding electrodes, and requirements for the grounding electrode. See Figure below.
20. **Object and Liquid Entry** - Care should be taken so that objects do not fall and liquids are not spilled into the enclosure through openings.

Warning: To reduce the risk of fire or electric shock, this apparatus should not be exposed to rain or moisture and objects filled with liquids, such as vases, should not be placed on this apparatus.

Important Safety Instructions

21. Battery Usage CAUTION - To prevent battery leakage that may result in bodily injury, property damage, or damage to the units:

- Install all batteries correctly, with + and - aligned as marked on the unit.
- Do not mix batteries (old and new or carbon and alkaline, etc.).
- Remove batteries when the unit is not used for a long time.

Note to the CATV system installer: This reminder is provided to call the CATV system installer's attention to Article 820-40 of the NEC that provides guidelines for proper grounding and, in particular, specifies that the cable ground shall be connected to the grounding system of the building, as close to the point of cable entry as practical.

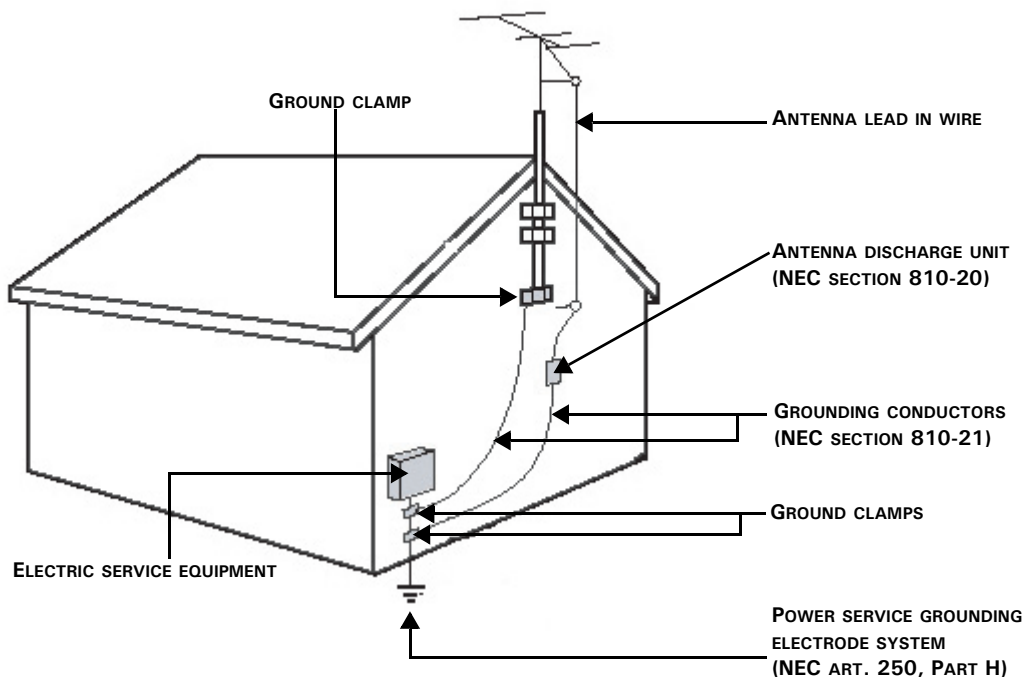


Table of Contents

FEATURES	1	USING THE OSD MENUS	20
Accessories	1	Picture Menu	20
INSERTING REMOTE CONTROL BATTERIES	2	Sound Menu	21
REMOTE CONTROL BUTTONS	3	Size Menu	22
OVERVIEW OF THE TV	5	PIP/PBP Menu	23
Front Panel	5	Parental Control Menu	24
Front Panel Buttons and LEDs	5	Movie Rating	25
Front Panel Connectors	7	TV Rating	26
Rear Panel	8	Channel Setup Menu	27
MAKING CONNECTIONS	10	Channel Search	27
Connecting Headphones	10	Favorite Channel List	28
Connecting Cable TV/Antenna	10	Setup Menu	28
Connecting a VCR	11	Closed Caption Menu	29
Connecting a PVR	12	REPLACING THE INTERNAL LAMP	31
Connecting a camera or game console	13	TROUBLESHOOTING	32
Connecting a Set-Top Box	14	SPECIFICATIONS	33
Connecting a DVD Player	15	MAGNAVOX LIMITED WARRANTY	34
Connecting a DVD Player	16		
Connecting a PC	17		
USING THE TV	18		
Turning on the TV	18		
Turning off the TV	18		
Changing Input Source	19		
Changing Channels	19		
Adjusting Volume	19		

Features

Congratulations on purchasing the MAGNAVOX 50-inch DLP Projection TV which is equipped with the latest DLP (Digital Light Processing) and brings razor sharp images and brilliant colors for your viewing enjoyment.

The MAGNAVOX 50ML8105D/17 has the following useful features:

Immersive entertainment experience

- High definition DLP HD4 technology with 1280 x 720p resolution
- Integrated digital TV tuner to receive and watch high definition broadcast programs
- Progressive scan for razor-sharp and flicker-free images
- 3D comb filter separates colors for a crisp image

Bigger experiences, less space

- Slim, lightweight design with 15.3 inches depth and 114lbs weight.

Advanced connectivity

- Latest HDMI connector, providing superior quality video
- 2x component video (YPbPr) input for high quality video
- D-sub/VGA PC connectivity enables you to use the TV as a PC monitor

One touch convenience

- SmartPicture and SmartSound provide optimized settings
- PIP (Picture In Picture) feature for watching two programs at the same time

Note

- Specifications are subject to change without notice.

Accessories

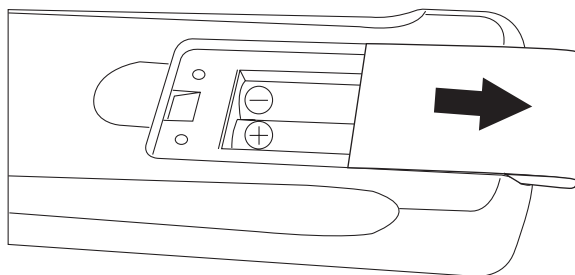
The following items are included with your TV. If any of the items appears to be missing or damaged, contact your nearest vendor.

- Power cord
- Remote control unit
- AAA battery x 2
- User manual (English / Spanish)
- Quick start guide
- Product Registration Card

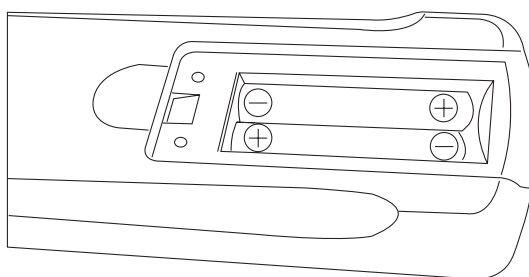
Inserting Remote Control Batteries

Use the following procedure to insert batteries into the remote control before you start using it.

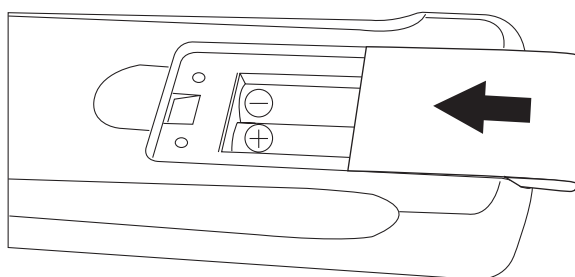
1. The battery cover is on the back of the remote control. Slide the battery cover in the direction of the arrow to remove it.



2. Insert the two AAA batteries provided in the package, with the polarity of the batteries matching the image in the battery compartment.



3. Slide the battery cover in the direction of the arrow until it clicks and is secure.

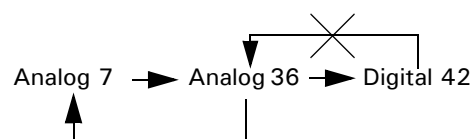


Remote Control Buttons



- 1 **IR Filter:** Transmits infra-red control signals to the TV.
- 2 **Power:** Press to turn power on/off.
- 3 **Number buttons (0 ~ 9):** Press to access a specific TV channel.
- 4 **R (Recall):** Press to switch to the previously viewed channel.

Note: When this button is pressed, you will be returned to the previously viewed channel in the same TV mode (analog or digital).



The recall button only returns you to channels of the same mode.

- 5 **CH (Channel Selection):** Press + to increase the channel number and - to decrease the channel.
- 6 **CC (Closed Captioning):** Press to turn Closed Captioning off, on, or enable during mute.
- 7 **OK:** Press to activate or confirm menu choices.
- 8 **Cursor Up, Down, Right, Left** (▼ ▲ ◀ ▶): Press to navigate through the on-screen menu.
- 9 **MENU:** Press to display the TV's on-screen menu or to turn it off.
- 10 **FAVOR:** Press repeatedly to view the favorite TV channels. Refer to "Favorite Channel List" on page 28 for more information about how to edit the favorite channel list.
- 11 **SIZE:** Press to change the picture aspect ratio.
- 12 **EPG (Electronic Program Guide):** Press to display the EPG table (if available). Use arrow keys to navigate through the EPG. The quality and accuracy of the information on the program guide and the information banner are transmitted from the broadcasters. You may see a difference in broadcast time if the broadcaster is from a different time zone.
- 13 **SLEEP:** Press to set the sleep timer feature to turn the TV off automatically.
- 14 **FREEZE:** Press to freeze the video image.

Remote Control Buttons

- 15 INFO (Information):** Press to show information about the current channel, closed caption availability, source, size ratio, SmartPicture SmartSound, and so on.

The quality and accuracy of the information on the program guide and the information banner are transmitted from the broadcasters. You may see a difference in broadcast time if the broadcaster is from a different time zone.

- 16 Dash key:** Press to select additional digital and analog signals. For example, to select 51-2, press 5, 1, the dash key and then 2 to view the channel.

- 17 MTS (Multi-channel Television System):** Press to toggle through TV audio modes in NTSC system.

- 18 VOL (Volume Adjustment):** Press + to increase volume and – to reduce the volume.

- 19 MUTE:** Press to disable sound. Press again to restore sound.

- 20 Source Shortcut Keys (ATV, DVI/HDMI, YPbPr, DTV, AV, SV, VGA):** Press to quickly switch between the various input sources.

- 21 SOUND:** Press to activate the SmartSound function and cycle through the SmartSound options.

- 22 PICTURE:** Press to activate the SmartPicture function and cycle through the SmartPicture options.

- 23 SOURCE:** Press to select input source from the on-screen menu.

- 24 PIP (Picture in Picture)/PBP (Picture by Picture) Shortcut Keys (refer to "PIP/PBP Menu" on page 23):**

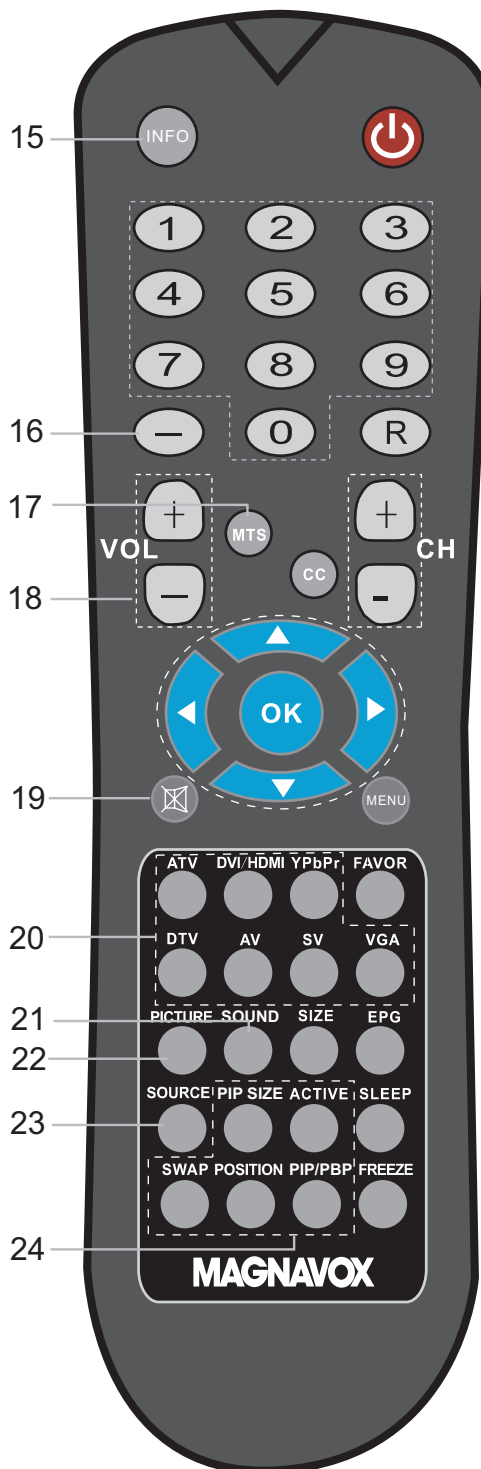
PIP/PBP: Enable or disable PIP or PBP mode.

POSITION: Press to change the position of the PIP window.

SWAP: Swap images when using PIP/PBP.

ACTIVE: Select an active PIP/PBP window.

PIP SIZE: Press to change the picture size of the PIP window.



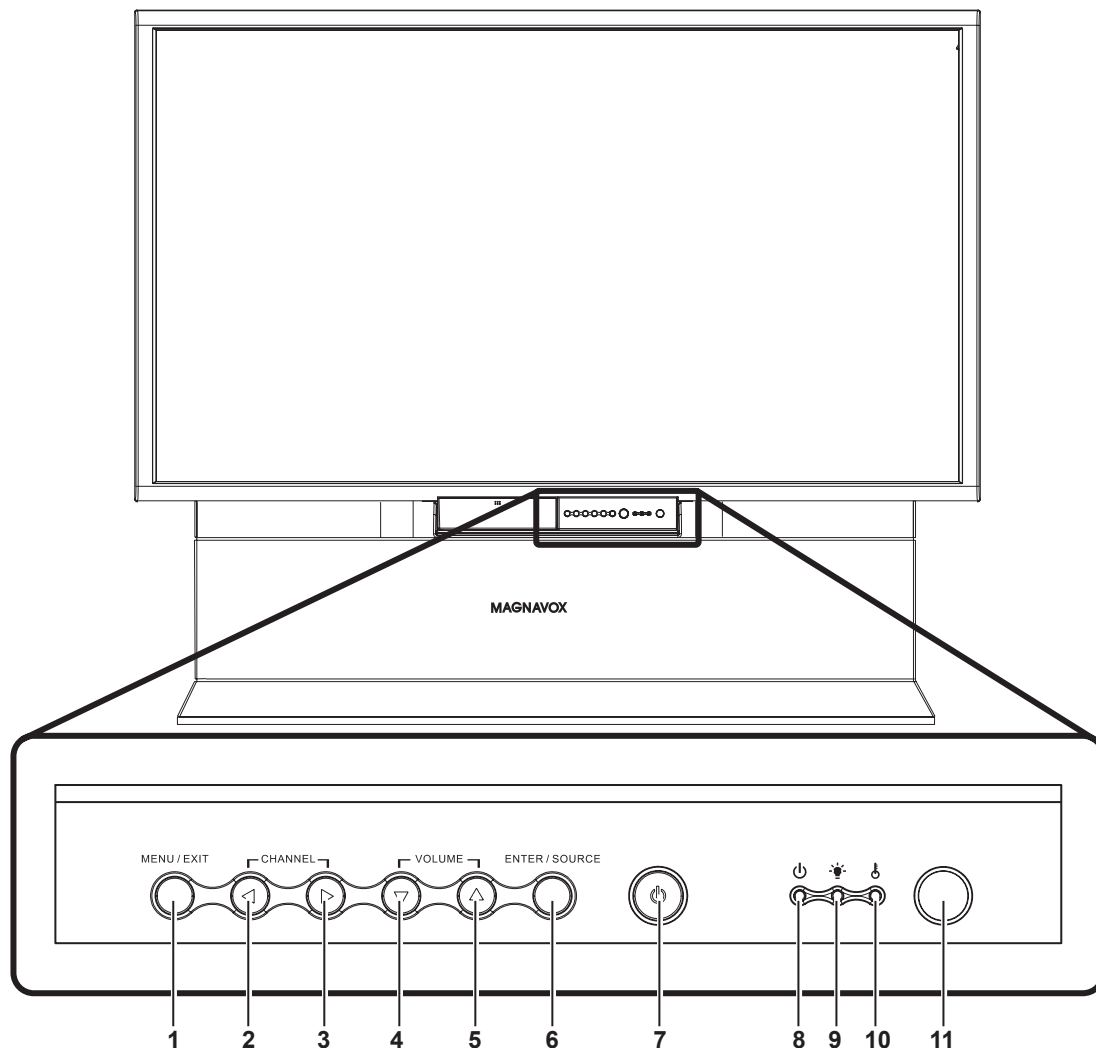
Overview of the TV

The following sections help you to familiarize yourself with the components of your TV. Refer to this section before you make any connections.

Front Panel

The control panel and indicator LEDs are on the front panel of the TV.

Front Panel Buttons and LEDs



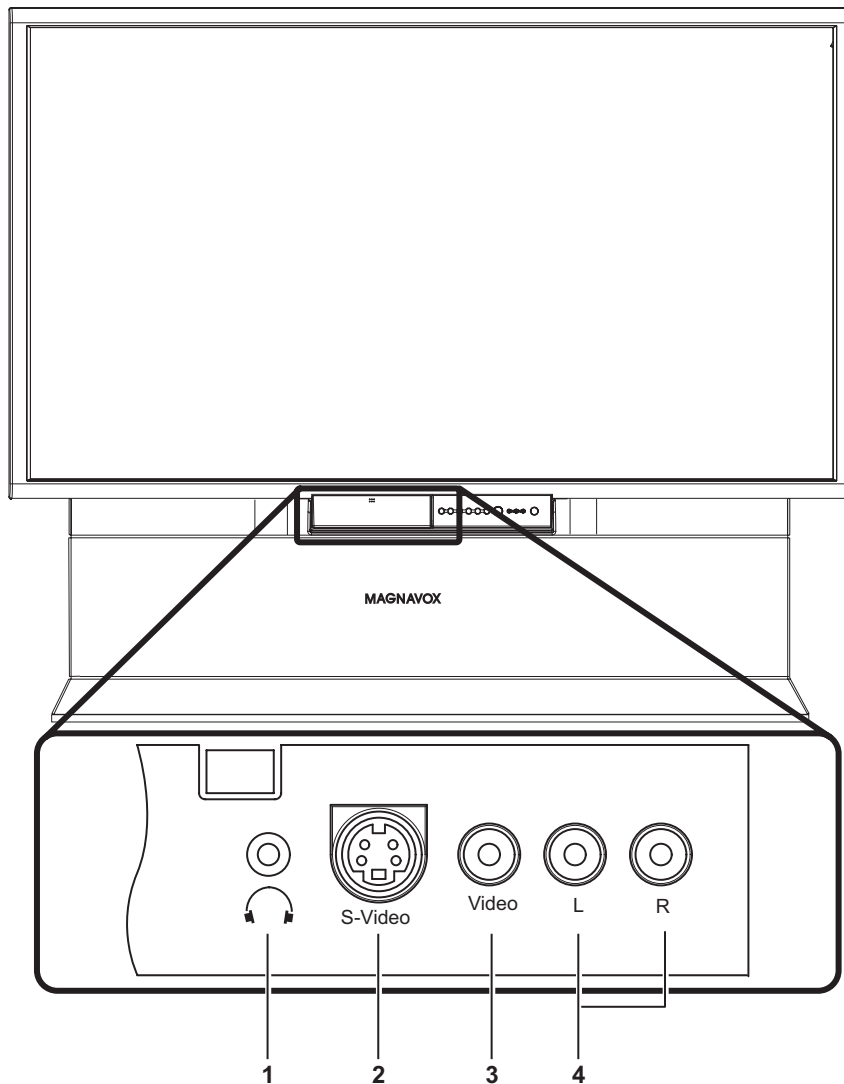
Component	Function
1. MENU/EXIT	Enable or exit from on-screen display (OSD) menu.
2. CHANNEL DOWN	Switch to previous channel.
3. CHANNEL UP	Switch to next channel.
4. VOLUME DOWN	Decrease volume.
5. VOLUME INCREASE	Increase volume.

Overview of the TV

Component	Function
6. ENTER/SOURCE	<ul style="list-style-type: none">• When OSD menu is enabled, confirm selection of menu item.• When OSD menu is disabled, switch sequentially between all input sources.
7. POWER	Turn power on or off.
8. Power indicator	<ul style="list-style-type: none">• Red: Stand-by• Flashing red: System being cooled down• The power indicator status on power on.• Green: System powered on• At power off, the LED flashes red/green for 10 seconds, flashes red for approximately 40 seconds and then turns red when the system is powered off.
9. Lamp indicator	Lamp failed (red)
10. Temperature indicator	Red: Internal temperature too high
11. IR receiver	Receive control signals from the remote control

Overview of the TV

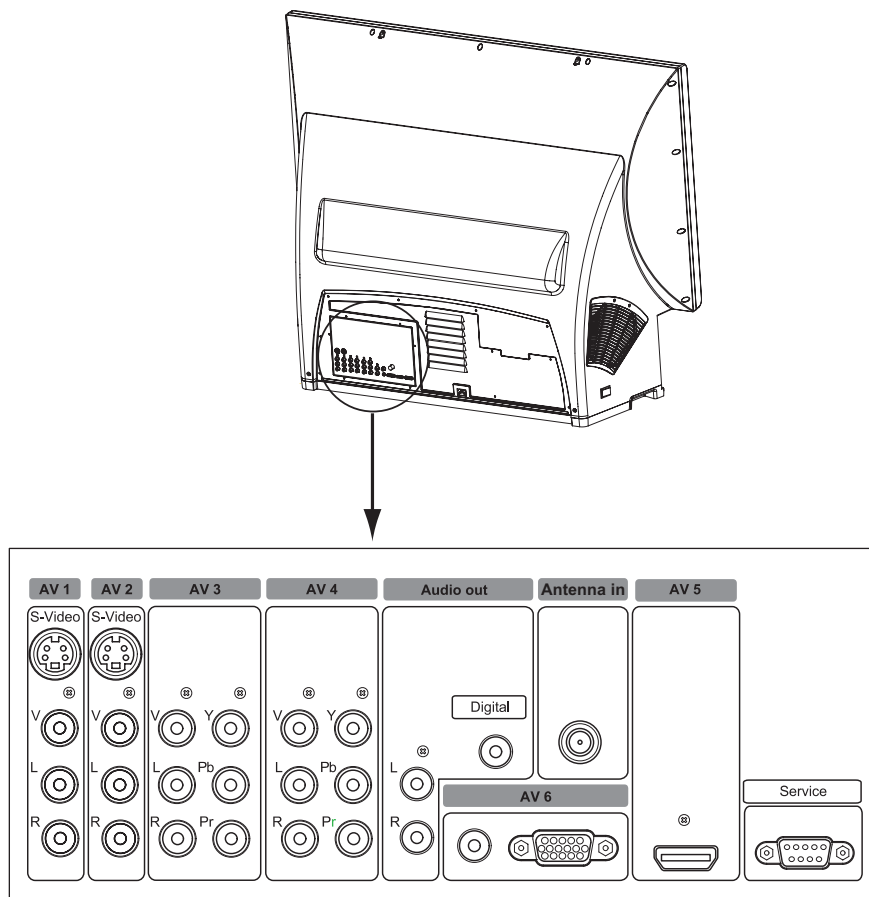
Front Panel Connectors



	Component	Function
1.	Headphone	Connect headphones to listen to audio.
2.	S-Video	Connect a device such as a camera, game console, or DVD player to watch video.
3.	Video	Connect video device with composite video output such as a VCR.
4.	Audio L/R	Connect audio output of device here.

Overview of the TV

Rear Panel



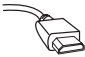




Your TV is designed to accept and display a wide range of video programs and signal sources, including VCRs, DVD players, high definition (HD) TV devices, video game consoles, and regular TV broadcasts. The TV provides excellent quality picture and audio to provide a memorable viewing experience. The following table provides a sample of the various devices that can be connected to the connectors of the TV.

	Input/Output	Example device
Analog	AV1	VCR (Video Cassette Recorder)
	AV2	PVR (Personal Video Recorder)
	AV7 (front panel)	Game console or camera
	Antenna In	Antenna
	Audio out	Audio amplifier system Digital out and analog L and R out

Overview of the TV

	Input / Output	Example device
Digital	AV3	Set-top box
	AV4	DVD player or HD game console
	AV5	HDMI device
	AV6	PC or portable computer with VGA output

The following table describes the differences between connection types.

CONNECTION BASICS				
				
BEST	BETTER	GOOD	BASIC	BASIC
HDMI	Component Video	S-Video	Composite Audio/Video	RF
High-definition Multi-media Interface provides an uncompressed, all-digital audio/video connection. HDMI provides the ultimate connection.	Provides superior picture quality by separating the green, blue, and red luminance signals. Typically used with red/white audio cables.	Supplies a better picture than RF and Composite connections. Used with red/white audio cables.	Separate video (yellow) and audio (red/white) cables that provide a basic connection from the cable box or other devices. Note: The color of audio inputs may differ, e.g. red/white or red/black.	Provides a basic connection for antenna or cable. Provides both audio and video.

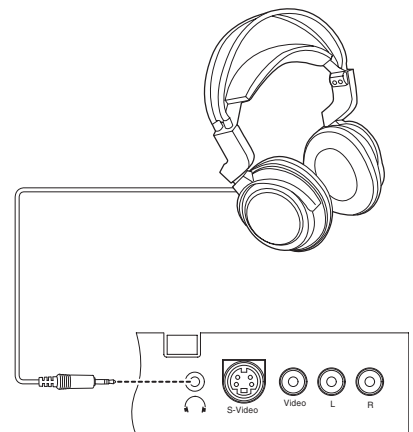
Making Connections

The following sections provide instructions on how to connect various audio/video devices to the TV. Take care to switch off all devices before making any connections.

Most video devices have different types of video connectors. The most common are composite video, component video (YPbPr), and S-video. Component video provides the best picture quality while S-video delivers medium picture quality. Composite video provides the lowest picture quality. The following sections provide various examples to illustrate how to connect different types of devices. Refer to the documentation provided with the device that you want to use for more information.

Connecting Headphones

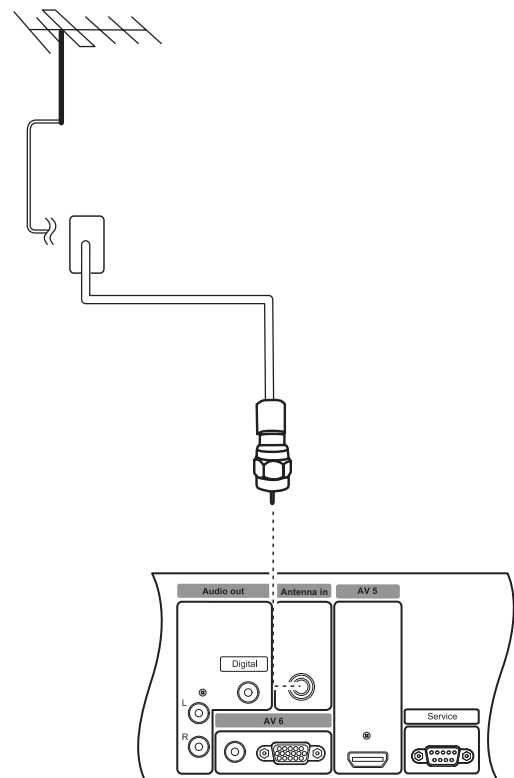
To listen to audio, connect the headphones to the headphone jack provided on the front panel.



Connecting Cable TV/Antenna

To view High Definition local broadcasts, connect your outdoor or indoor antenna to the Antenna In input on the rear panel.

To view Analog Cable, connect your Cable TV to the Antenna In input on the rear panel.

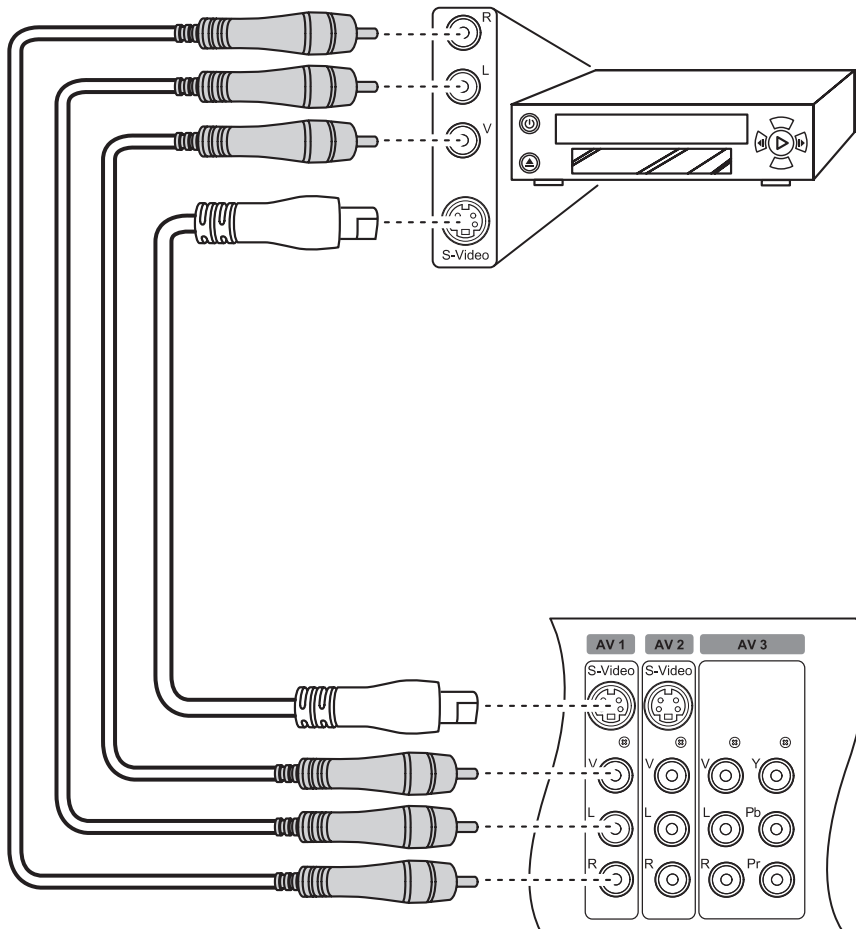


Making Connections

Connecting a VCR

Follow these instructions to connect a VCR (Video Cassette Recorder) to the TV using the AV1 input and watch your favorite movies.

1. Connect the video output of the VCR to the **V** connector of the AV1 input using an RCA cable. Alternatively, you can also connect it to the **S-video** connector of the AV1 input using an S-video cable.
2. Connect the audio output (L/R) of the VCR to the audio jacks (L/R) of the AV1 input using RCA cables.

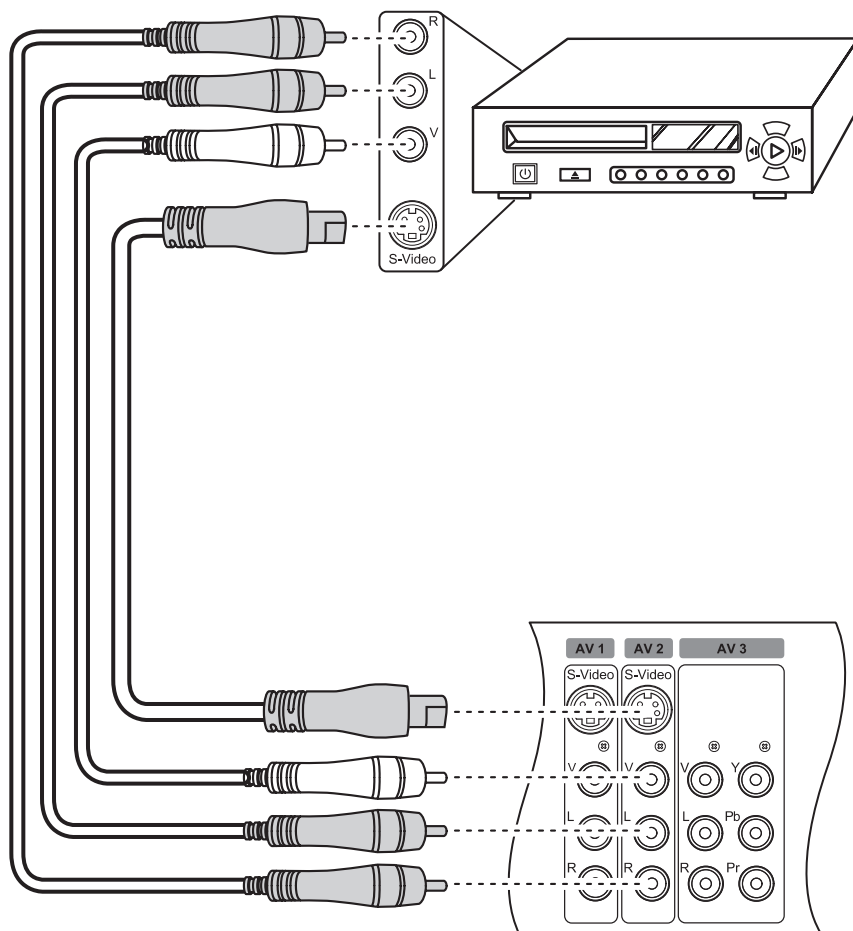


Making Connections

Connecting a PVR

Follow these instructions to connect a PVR (Personal Video Recorder) to the TV using the AV2 input.

1. Connect the video output of the PVR to the **S-video** connector of the AV2 input using an S-video cable. Alternatively, you can also connect it to the **V** connector of the AV2 input using an RCA cable.
2. Connect the audio output (L/R) of the PVR to the audio jacks (L/R) of the AV2 input using RCA cables.

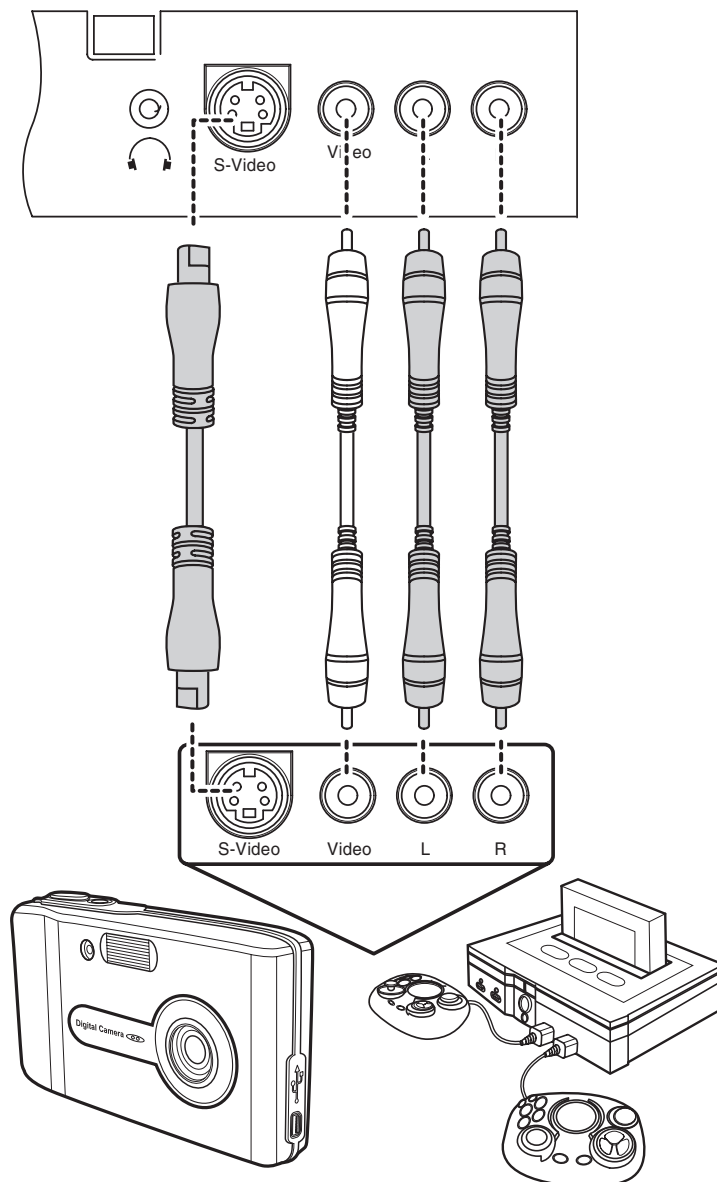


Making Connections

Connecting a camera or game console

To connect a video game console or a camera to the display, you can use the AV connectors located on the front connector panel (AV7). Alternatively, you can also use the AV connectors located on the rear panel.

1. Connect the video output of the camera or game console to the **S-video** connector on the front panel using an S-video cable. Alternatively, you can also connect it to the **V** connector using an RCA cable.
2. Connect the audio output (L/R) of the camera or game console to the audio jacks (L/R) using RCA cables.

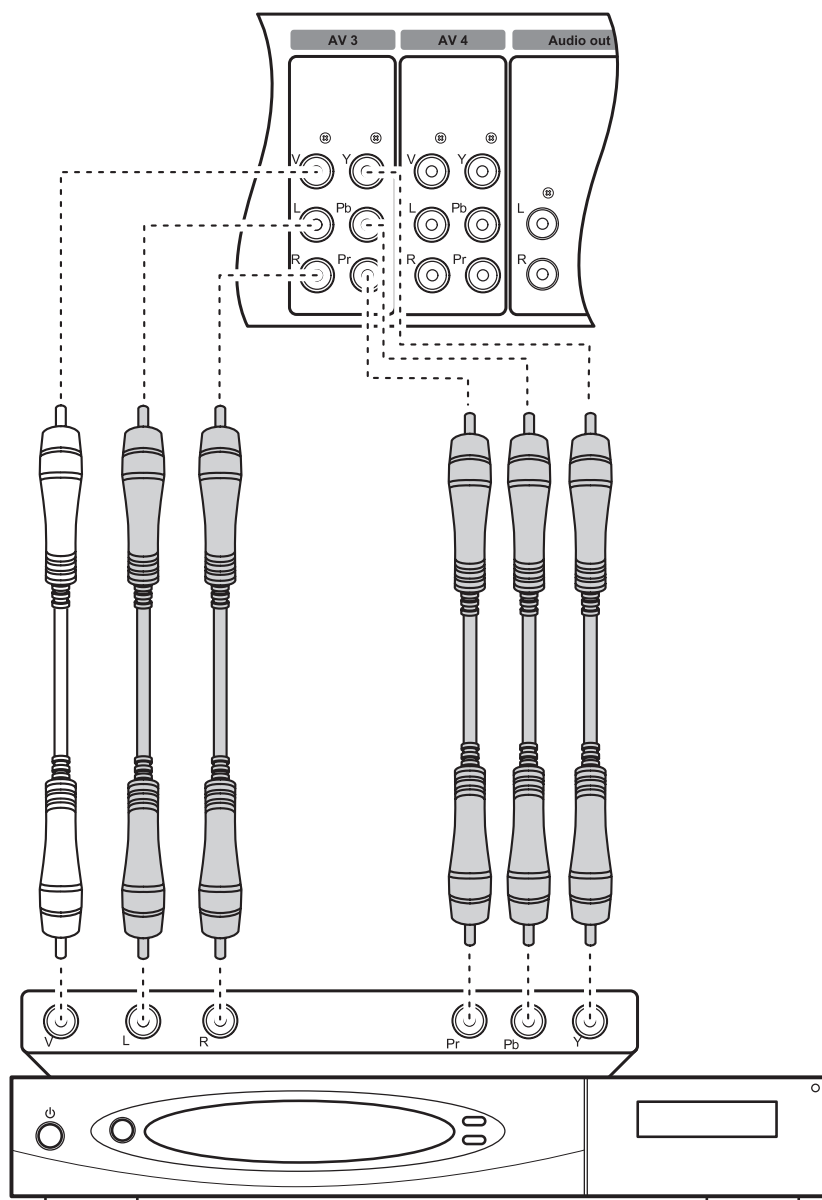


Making Connections

Connecting a Set-Top Box

You can connect a set-top box (cable/satellite) to the TV as follows:

1. Connect the video output of the set-top box to the **component (YPbPr)** video connectors of the AV3 input using RCA cables. Alternatively, you can also connect it to the **V** connector.
2. Connect the audio output (L/R) of the set-top box to the audio jacks (L/R) using RCA cables.

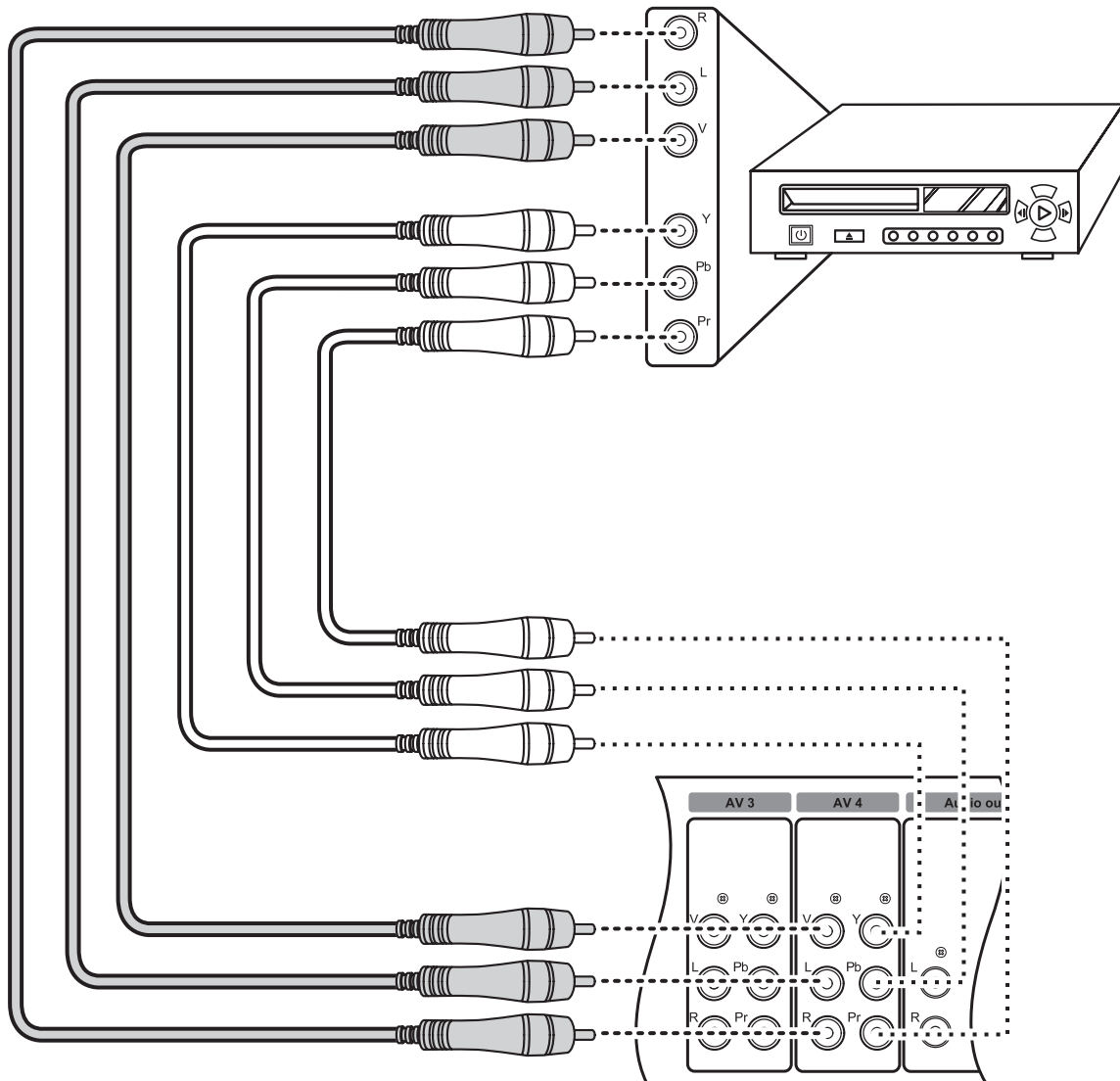


Making Connections

Connecting a DVD Player

To connect a DVD player to the TV, do the following:

1. Connect the video output of the DVD player to the **V** connector of the AV4 input using an RCA cable. Alternatively, you can also connect it to the **component (YPbPr)** connectors.
2. Connect the audio output (L/R) of the DVD player to the audio jacks (L/R) using RCA cables.



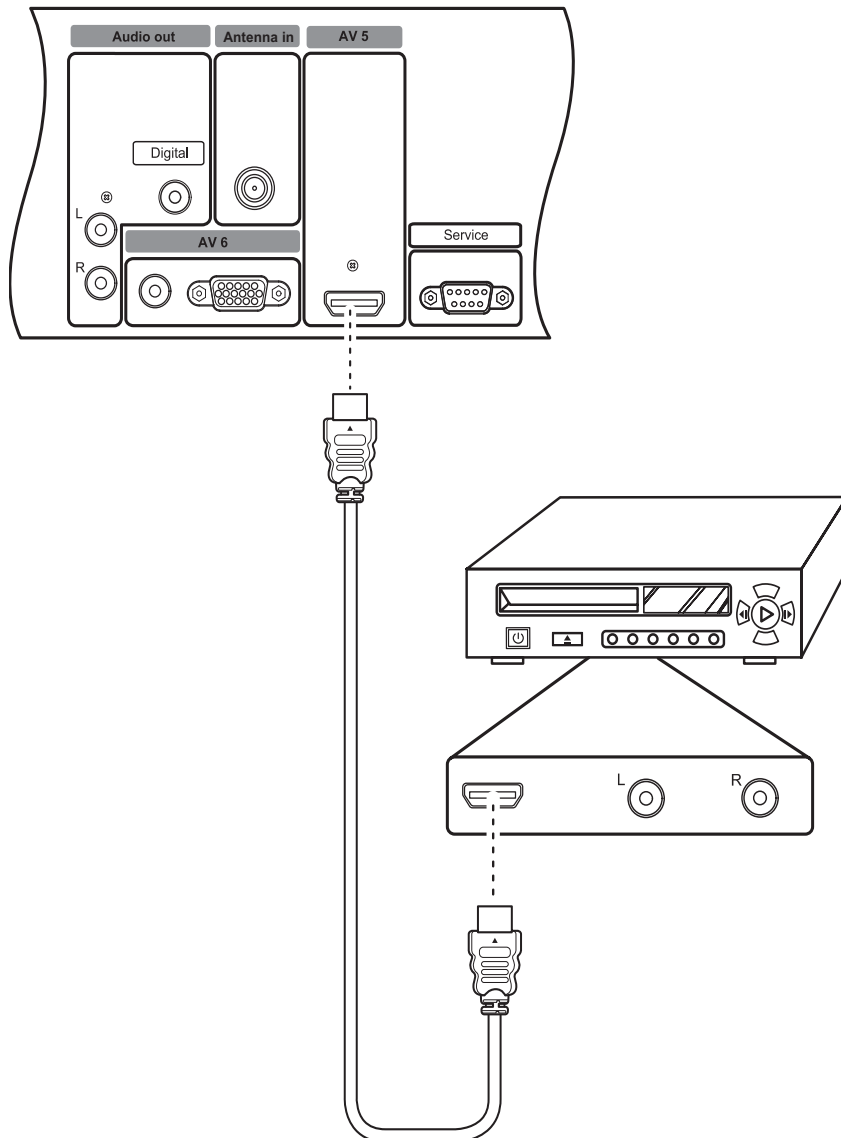
Making Connections

Connecting a DVD Player

To connect a DVD player to the TV using the HDMI input, connect the video output of the DVD player to the **HDMI** connector of the AV5 input using an HDMI cable.

Note

- If you are using an DVI-to-HDMI cable, there will be no audio out.

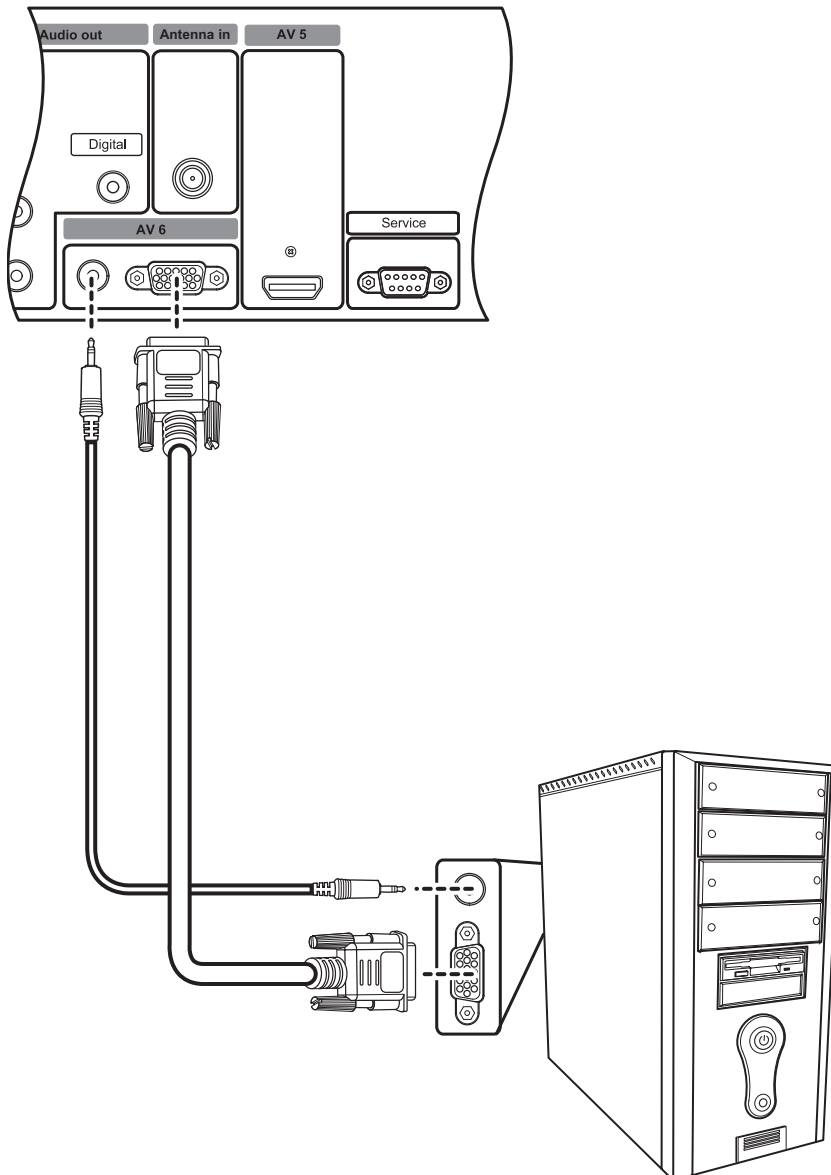


Making Connections

Connecting a PC

Use the following procedure to connect a PC or portable computer to the TV to use it as the PC's monitor.

1. Connect the VGA output of the PC to the **VGA** connector of the AV6 input using a VGA cable.
2. Connect the audio output (Audio out) of the PC to the audio jack of the AV6 input using an audio cable.

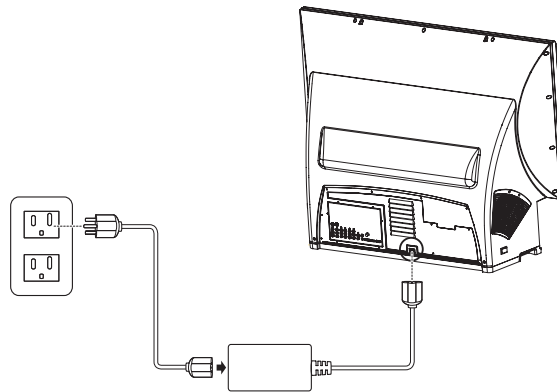


Using the TV

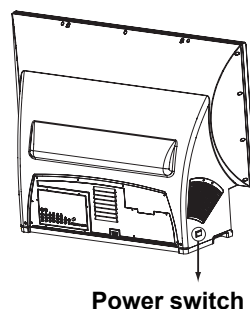
Turning on the TV

To switch on the TV, do the following:

1. Connect the power cord to the TV as illustrated and plug the cord into a free wall outlet.



2. Switch on the main power switch. Refer to the following illustration for the location of the main power switch.



3. Press the power button on the front panel or remote control to turn on the TV. The TV will turn on after warming up in approximately 30 seconds.

Notes

- If the remote control and control panel do not work, ensure that the power switch on the rear of the TV is set to ON.
- In extremely quiet surroundings, you may hear a slight hum, which comes from the cooling system of the set and is part of its normal operation.

Turning off the TV

To switch the TV off, press the power button on the front panel or remote control to turn off the TV. The screen turns blank immediately but it will take approximately 1 minute to cool down and then shut down the whole system.

Except in case of emergency, it is not recommended to use the main power switch to switch off the system. The lamp life may be severely reduced if the system is not allowed to cool down properly by abruptly shutting down the system using the main power switch.

Using the TV

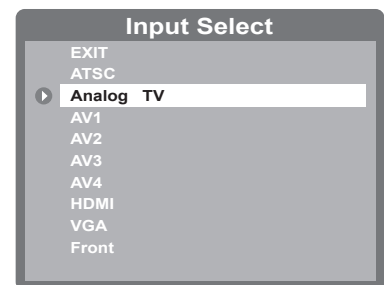
Notes

- Unless the TV is not going to be used for an extended period of time, the main power switch can be left in the ON position without consuming a lot of power.
- After you switch off the TV, the power LED flashes red/green for 10 seconds, flashes red for approximately 40 seconds and then turns red when the system is powered off. When the LED is flashing red, the TV is in its final cooling phase and the system will not respond to any commands from the remote control or front panel buttons. Wait until the power LED stops flashing for about 1 minute before switching on the TV again.

Changing Input Source

After switching on the TV, select the appropriate input source using the front panel buttons or the remote control as follows:

- Press **ATV**, **DVI/HDMI**, **YPbPr**, **DTV**, **AV**, **SV**, or **VGA** on the remote control to switch to the respective input.
- Press the **ENTER/SOURCE** button on the front panel of the TV repeatedly to switch through all the input sources.
- Press **SOURCE** on the remote control to select the source from the on-screen menu. A list of input sources is displayed on the screen. Select the appropriate input using the cursor keys and press **OK** on the remote control to display the input signal.



Changing Channels

Use one of the following methods to change channels:

- Press the channel up or down buttons on the front panel or the remote control to switch to the previous or next channel.
- Press the number keys on the remote control to directly key in a channel number.

Adjusting Volume

To adjust volume, do the following:

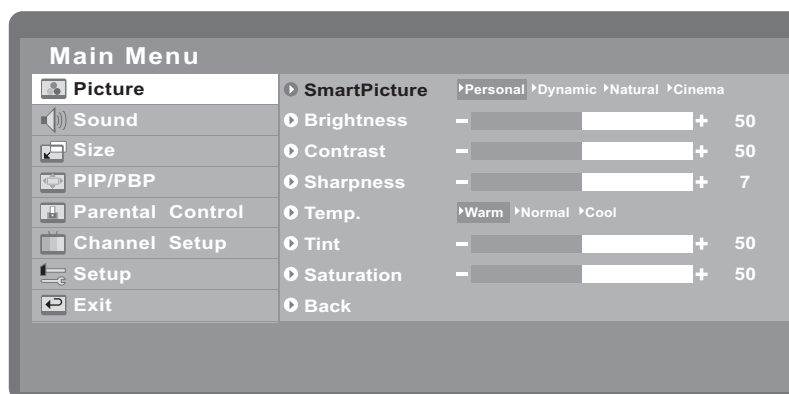
- Press the volume up or down buttons on the front panel or the remote control to increase or decrease the volume.
- Press the mute button (see page 4) to disable the volume. Press the button again to restore sound.

Using the OSD menus

The On-Screen Display (OSD) menus enable you to customize the TV's audio, video, and other settings according to your preferences. Press the **MENU** button on the front panel or the remote control to view the OSD menu. Use the **▼ ▲ ◀ ▶** buttons to navigate through the menu items and press **OK** to select an option. Press the **MENU** button again to exit from the menu. Refer to the following sections to learn more about the various menu options.

Picture Menu

The picture menu enables you to adjust the picture to suit the type of program you are watching. The **SmartPicture** item provides four preset options for the picture setting – Personal, Dynamic, Natural, and Cinema. You can also choose to manually adjust the picture settings such as brightness, contrast, saturation, etc. to suit your personal preference.



The following table describes the picture menu items.

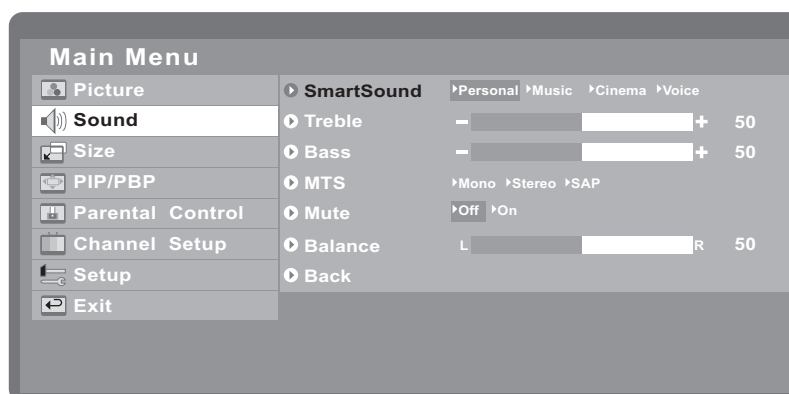
Component	Function	Range / Options
SmartPicture	Provides four preset options to suit various types of programs.	Personal, Dynamic, Natural, Cinema
Brightness	Adjusts the total brightness of all colors.	0 ~ 100
Contrast	Modifies the ratio between extremely dark and extremely light areas of the image.	0 ~ 100
Sharpness	Modifies the sharpness of the edges of the image.	0 ~ 15
Temp.	Adjusts the color temperature or warmth of the image. An image with warm colors has more reddish hues.	Warm, Normal, Cool
Tint	Modifies the hue or dominant color of the image.	0 ~ 100
Saturation	Adjusts the color intensity of the image.	0 ~ 100

Using the OSD menus

Sound Menu

The sound menu helps you to adjust the audio settings to suit the type of program being viewed. The **SmartSound** item provides four pre-set options for the audio quality – Personal, Music, Cinema, and Voice. You can also adjust the audio settings manually as required.

The following table describes the sound menu items.



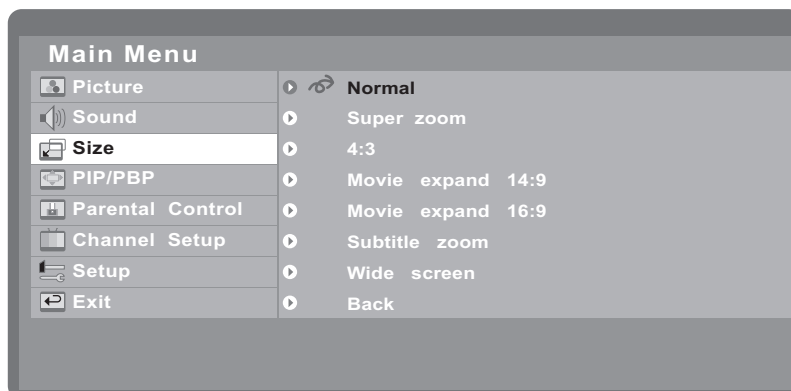
Component	Function	Range / Options
SmartSound	Provides four preset options to suit various types of programs.	Personal, Music, Cinema, Voice
Treble	Adjusts amount of high-frequency components in the audio.	0 ~ 100
Bass	Adjusts amount of low-frequency components in the audio.	0 ~ 100
MTS	Sets the audio mode. [†]	Mono, Stereo, SAP (Secondary Audio Program)
Mute	Disables audio.	Off, On
Balance	Adjusts the sound balance between the left and right speakers.	0 ~ 100

[†] MTS is only available when the input signal is analog.

Using the OSD menus

Size Menu

The size menu provides various options for the size or aspect ratio of the video display.



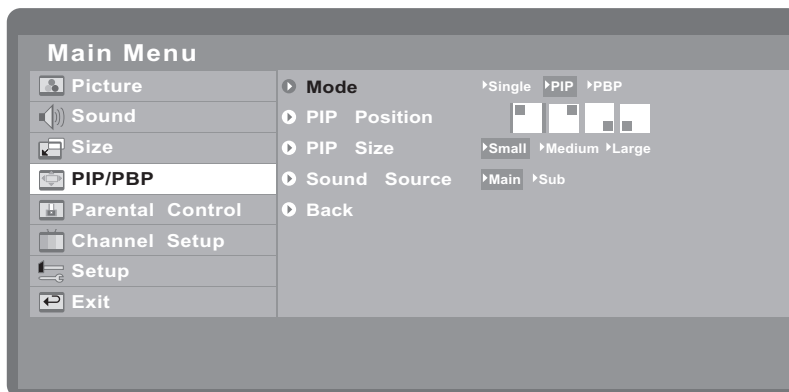
The following options are available:

Component	Function
Normal	The picture is enlarged to cover the entire screen area.
Super zoom	In Super zoom mode, the picture is expanded nonlinearly in the horizontal direction, and compressed nonlinearly in the vertical direction.
4:3	This format resizes the picture size to 960 x 720 pixels. Unused portions of the screen are left black.
Movie expand 14:9	Expand the picture to remove the black bars.
Movie expand 16:9	Expand the picture to remove the black bars.
Subtitle zoom	Zooms across the subtitle area.
Wide screen	This format is used to view feature films, with an aspect ratio of 1.77 : 1.

Using the OSD menus

PIP/PBP Menu

The PIP/PBP menu provides various options for the PIP and PBP modes. The PIP mode helps you to watch one program on the full screen, and another program on a smaller pop-up window, which can be positioned in any of the four corners of the screen. The PBP function divides the viewing area into two halves, allowing the simultaneous viewing of two programs in windows placed side by side. Refer to the following table to learn about the various menu items:



Component	Function	Range / Options
Mode	Enables single, PIP, or PBP mode.	Single, PIP, PBP
PIP Position	Sets the position of the PIP window in one of the four corners of the screen.	Top left, Top right, Bottom right, Bottom left
PIP Size	Selects the size of the PIP window	Small, Medium, Large
Sound Source	Selects the sound source to be outputted through the speakers.	Main, Sub

Refer to the following tables for PIP/PBP combinations:

Main	Sub window
Component	S-Video
VGA	Composite
DTV	ATV
HDMI	

Sub window	Main
Component	S-Video
VGA	Composite
DTV	ATV
HDMI	

For instance, if the main window displays the Component input signal, you can select the S-video, Composite, or ATV inputs as the sub window. Similarly, if the main signal is the Composite input, the sub window can display the Component, VGA, DTV, or HDMI inputs.

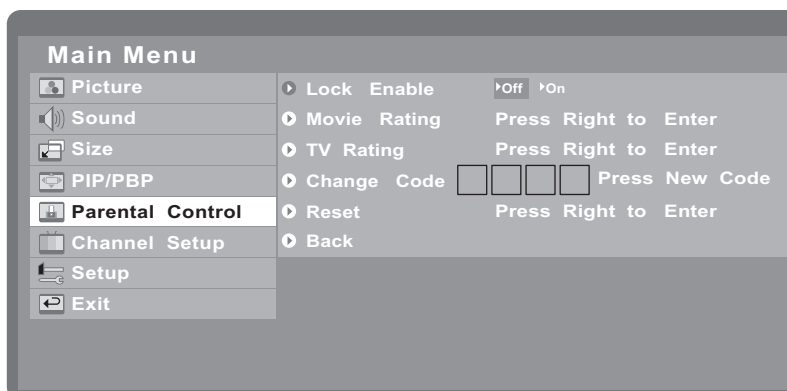
Notes

- You can also use the PIP/PBP, PIP SIZE, ACTIVE, SWAP, and POSITION buttons on the remote control to activate and control the PIP or PBP mode. See page 4.
- Use the SWAP button to switch programs between the main and secondary windows in PIP/PBP mode.

Using the OSD menus

Parental Control Menu

The parental control menu enables you to limit access to programs that may contain objectionable material or are not suitable for viewing by children. The default access code is 0711.




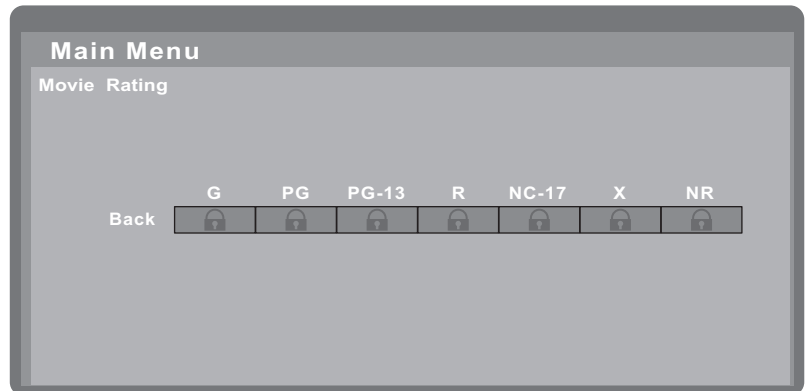
The following table provides details about the menu items:

Component	Function	Range / Options
Lock Enable	Enables the parental control lock. When enabled, channels with objectionable viewing content are blocked and can only be accessed with a password. You can block channels according to the movie or TV ratings of the channel's programs.	Off, On
Movie Rating	Helps you block programs based on their movie ratings. See "Movie Rating" on page 25 for more details.	–
TV Rating	Helps you block programs based on their TV ratings. See "TV Rating" on page 26.	–
Change Code	Changes the password for the parental control lock.	Press the number keys to change the password.
Reset	Resets all channels and programs to their default factory settings.	–

Using the OSD menus

Movie Rating


The movie rating provides a list of all the movie (MPAA) ratings. The locked ratings are indicated by the  icon. Press the arrow keys to select and the **OK** key to activate or de-activate the appropriate movie ratings. For instance, if you want to view programs that have only G, PG, and PG-13 ratings, activate the parental lock for all other movie ratings. The following table provides more information about the movie ratings.



Movie Rating	Suitable for
G	General audience. No restriction.
PG	Parental guidance.
PG-13	Children under 13 should be accompanied by an adult.
R	Restricted. Viewers should be 17 or older.
NC-17	Not classified. Viewers should be 17 or older.
X	Adults only.
NR	Not rated.

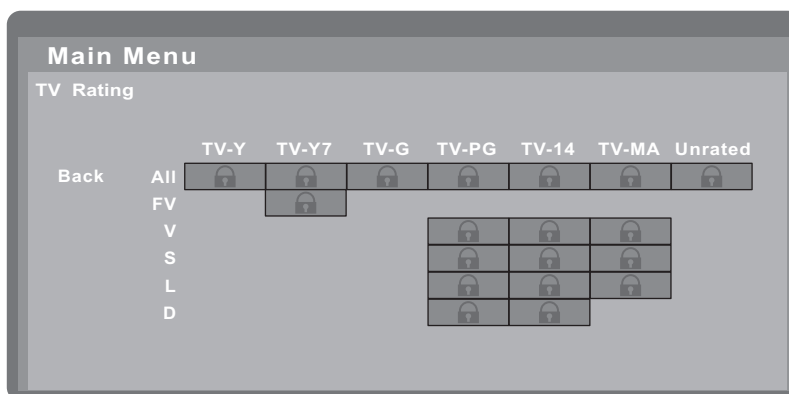
Using the OSD menus

TV Rating

The movie rating provides a list of all the TV (FCC) ratings. The locked ratings are indicated by the  icon. Press the arrow keys to select and the **OK** key to activate or de-activate the appropriate TV ratings.

For instance, if you want to view programs that have only TV-Y, TV-Y7, and TV-G ratings, activate the parental lock for all other TV ratings. You can also block the program according to the TV (FCC)

content. The following tables provides more information about the TV ratings and TV content categories.



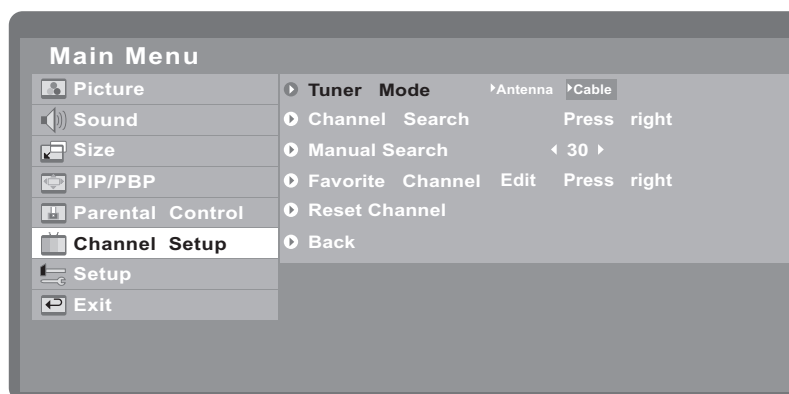
TV Rating	Suitable for
TV-Y	Young children
TV-Y7	Children of age 7 and over
TV-G	General audience
TV-PG	Parental guidance
TV-14	Viewers of age 14 and over
TV-MA	Mature audience
Unrated	Not rated.

TV (FCC) Content Category	Content
V	Violence
S	Sexual content
L	Offensive language
D	Dialog with sexual innuendo
FV	Fantasy or cartoon violence

Using the OSD menus

Channel Setup Menu

The channel setup menu helps you to configure and set up channels. You can set the tuner for signals from the antenna or a cable receiver, search for channels, and edit the favorite channels



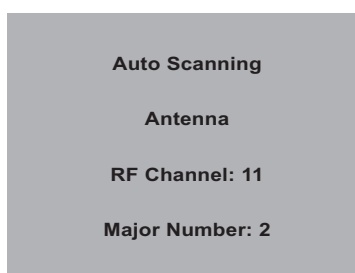
Component	Function	Range / Options
Tuner Mode	Specifies antenna or cable input for the Analog signal. Specifies antenna input for the Digital signal.	Antenna, Cable
Channel Search	Scans for channels automatically. See "Channel Search" below.	–
Manual Search	Enables you to manually search for channels. [†]	2 ~ 69
Favorite Channel	Edits the favorite channel list. See "Favorite Channel List" on page 28.	–
Reset Channel	Clears all channels that were added to the channel list using the Channel Search feature. After using this function, use Channel Search to rescan for channels. [†]	–

[†] This selection is only available when the input signal is digital.

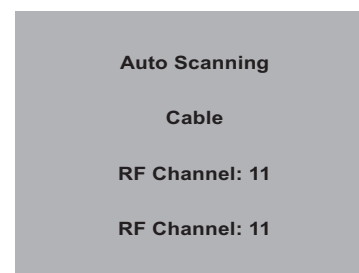
Channel Search

Use this option to start scanning for channels automatically as follows:

1. Select the **Channel Search** item from the channel setup menu and press ► to start scanning for channels automatically. Scanning begins.
2. Press **OK** at any time to stop scanning.



Digital signal auto scan OSD



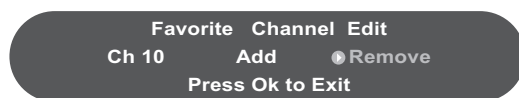
Analog signal auto scan OSD

Using the OSD menus

Favorite Channel List

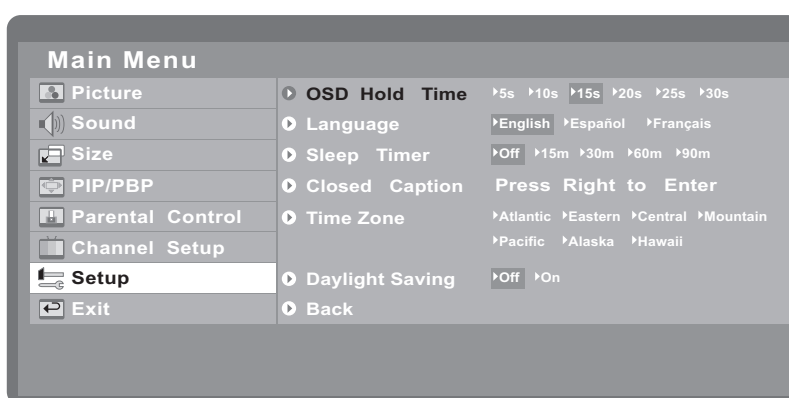
You can set any channel as your favorite channel and view it quickly using the **Favor** button on the remote control. To set up your favorite channels, do the following:

1. Select the **Favorite Channel** item from the channel setup menu and press **►** to edit the favorite channel list.
2. Press **Channel** **+/-** to select a channel.
3. Use the **◀/▶** arrow keys to select **Add** to add the channel to the favorite channel list or **Remove** to remove a channel from the list.
4. Press **OK** to confirm your selection.



Setup Menu

The setup menu provides various options to customize the TV's settings.



The following table describes the menu items:

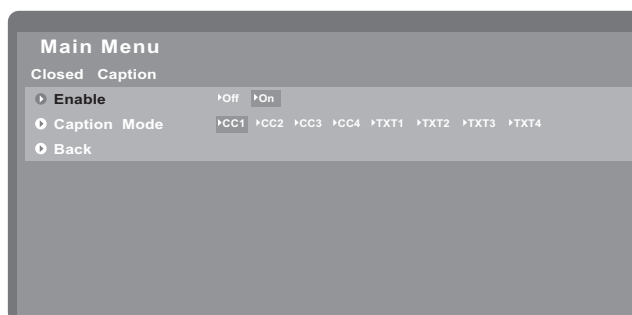
Component	Function	Range / Options
OSD Hold Time	Sets the idle time for which the OSD menu is displayed on the screen.	5s, 10s, 15s, 20s, 25s, 30s
Language	Sets the OSD menu language.	English, Spanish, French
Sleep Timer	Sets the time after which the display is switched off and enters standby mode.	Off, 15m, 30m, 60m, 90m
Closed Caption	Displays the closed caption menu. Refer to the following section for details.	–
Time Zone	Sets the time zone you are in. [†]	Atlantic, Eastern, Central, Mountain, Pacific, Alaska, Hawaii
Daylight Saving	Enables and disables daylight saving. When set to On, one hour is added to the time. [†]	On, Off

[†] This selection is only available when the input signal is digital.

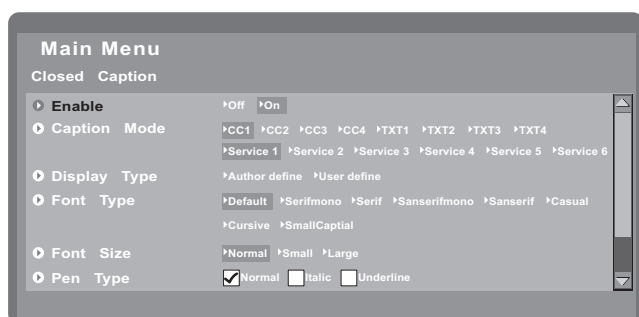
Using the OSD menus

Closed Caption Menu

The closed caption menu enables you to customize the closed captions according to your preference. Plain text messages can be viewed while viewing analog RF signals. Digital captions that can be customized for color, font size, opacity and other parameters are available with digital broadcast signals.



Closed caption menu (analog)



Closed caption menu (digital)

The following table provides a description of the closed caption menu options in digital mode:

Component	Function	Range / Options
Enable	Enables closed captioning.	On, Off
Caption Mode	Selects a closed caption or service mode.	CC1 ~ CC4, TXT1 ~ TXT4, Service 1 ~ Service 6
Display Type	When User define is selected, the user can set the closed caption menu characteristics shown below Display Type. If Author define is selected, these items are unavailable.	Author define, User define
Font Type	Specifies a font.	Default, Serifmono, Serif, Sanserifmono, Sanserif, Casual, Cursive, SmallCapital
Font Size	Specifies the font size.	Normal, Small, Large
Pen Type	Selects a pen type.	Normal, Italic, Underline

Using the OSD menus

Component	Function	Range / Options
Text Color	Selects text color.	Black, White, Red, Green, Blue, Yellow, Magenta, Cyan
Text Opacity	Sets the opacity of the text.	Solid, Transparent, Translucent, Flashing
Background Color	Specifies a background color.	Black, White, Red, Green, Blue, Yellow, Magenta, Cyan
Background Opacity	Sets the background opacity	Solid, Transparent, Translucent, Flashing
Edge Type	Sets the font edge type.	None, Raised, Depressed, Uniform, Dropshadow
Edge Color	Sets the font edge color.	Black, White, Red, Green, Blue, Yellow, Magenta, Cyan

Replacing the Internal Lamp

To order a replacement lamp, call the Magnavox Customer Care Center at 1-800-705-2000. A Magnavox associate will be happy to assist you.

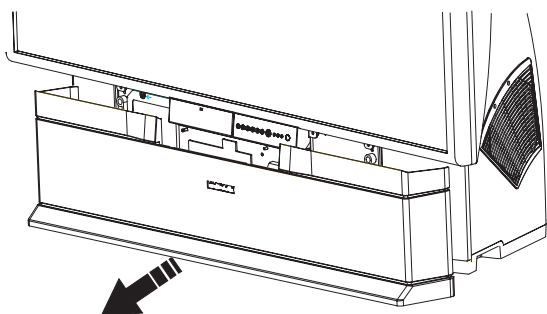
The part number for the Magnavox replacement lamp is SP.L6502G001

Warning!

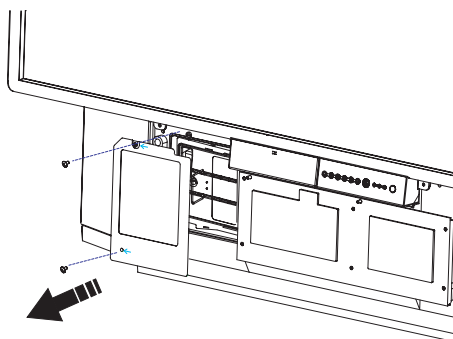


- Turn off the unit and unplug it before replacing the lamp
- Take care that no screws or other foreign metal objects fall into the display interior. Such items could cause fire or electrical shock.
- Do not remove the lamp except to replace it. Careless handling can cause injury or fire.
- Do not replace the lamp immediately after the display is turned off. The high temperature of the lamp could cause serious burns. Allow the lamp to cool down at least two hours after turning off the display

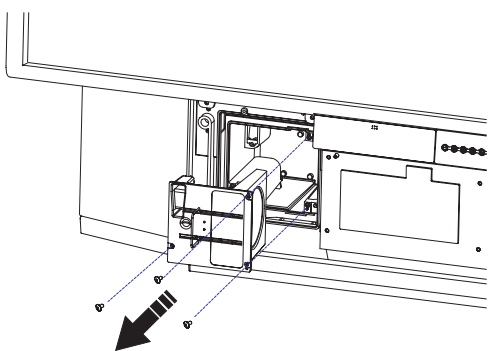
1. Remove the front decorative cover.



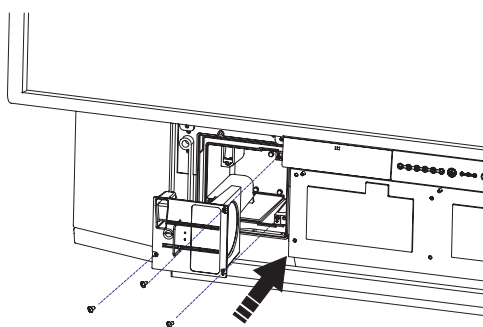
2. Unscrew and remove the protective cover from the lamp module.



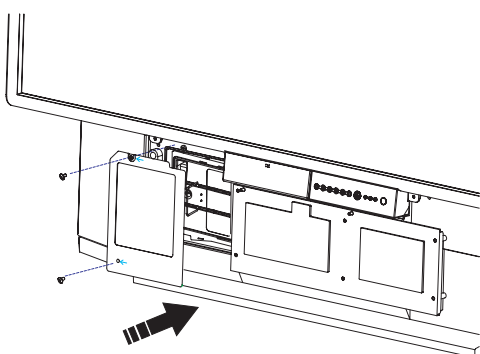
3. Loosen the three screws on the lamp unit and pull the lamp module out.



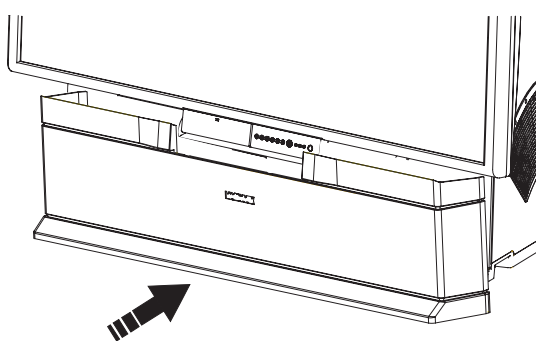
4. Replace a new lamp module then screw back the three screws on the lamp unit.



5. Replace the protective cover and tighten the screws.



6. Replace the front decorative cover.



Troubleshooting

Problem	Item to check
No power	<ul style="list-style-type: none">• Check that the power cord is properly connected.• Make sure the wall power outlet is working.• Make sure the remote has batteries.• If the remote control and control panel do not work, ensure that the power switch on the rear of the TV is set to ON.
Remote control not working	<ul style="list-style-type: none">• Replace the batteries• Check that the batteries are inserted correctly• Check that the remote control is close enough to the display• Adjust the angle between the remote control and the display.
Picture is fuzzy	<ul style="list-style-type: none">• Check that the device generating the picture signal is operating properly.• Check that you have set the display to receive the proper signal source.
No sound	<ul style="list-style-type: none">• Check to see if the Mute function is activated.• Check the volume level.• Check that the device generating the audio signal is properly connected to the display.
Picture is unstable	<ul style="list-style-type: none">• Check that your video card is set within the allowable range.
Screen is blank	<ul style="list-style-type: none">• Contact the dealer where you purchased the display.
A buzzing sound comes from the speakers during display.	<ul style="list-style-type: none">• Check that the socket of the grounded hole is good.
No image.	<ul style="list-style-type: none">• Check that the signal source is connected to the correct terminal.
Temperature LED is red	<ul style="list-style-type: none">• Turn off the TV set and allow it to cool down. If the LED still persists, contact the nearest service center.
Poor picture quality	<ul style="list-style-type: none">• Try switching to another channel and see if the problem persists.• Adjust the antenna.• Check all cable connections.
Picture rolls vertically	<ul style="list-style-type: none">• Adjust the antenna.• Check all cable connections.• If you are using a VCR, check the tracking.
Lamp indicator LED red	<ul style="list-style-type: none">• Lamp failed. Contact your nearest service center.
There is a switch on the TV	<ul style="list-style-type: none">• Default is on.
Other	<ul style="list-style-type: none">• Contact the dealer, authorized service personnel, or the Magnavox help number provided here: 1-800-705-2000

Specifications

Picture/Display

- Aspect ratio: wide screen 16:9
- Diagonal screen size: 50-inch
- Display technology: Digital Light Processing DLP™ HD4 with Smooth Picture
- Contrast ratio: 1500 :1
- Picture enhancement: Progressive scan, 3D comb filter, 3:2 pull down film-mode detection, SmartPicture
- Viewing angle (vertical): 120 degree
- Viewing angle (horizontal): 160 degree

Connectivity

- Input 1: S-video & composite video + L/R audio
- Input 2: S-video & composite video + L/R audio
- Input 3: YPbPr & composite video + L/R audio
- Input 4: YPbPr & composite video + L/R audio
- Input 5: HDMI
- Input 6: PC/VGA (D-Sub 15pin + audio)
- Input 7 (front): S-video & composite video + L/R audio
- Output (front): earphones
- RF input: ATSC/NTSC combo tuner
- SPDIF coaxial digital audio output (ATSC only)
- Analog audio output (L/R)

Convenience

- Local controls: front panel keypad
- Ultra long lamp life: > 10,000 hours
- User manual in 2 languages: English (US) and Spanish
- OSD menu in 3 languages: English (US), Spanish, and French
- Picture In Picture (PIP)
- Ease of use: SmartSound control, SmartPicture control
- Ease of installation: PLL digital tuning
- Child protection: Parental control, child lock
- Remote control type: RC-47SLO (RC-6)

Sound

- Output power (RMS): 2 x 15W
- Sound enhancement: SmartSound

Tuner reception/transmission

- TV system: NTSC, ATSC
- Aerial input: 75 Ohm F-type
- Video playback: NTSC
- Closed Caption function

Supported Display Resolution

- Computer formats:
 - 640 x 480 60Hz
 - 800 x 600 60Hz
 - 1024 x 768 60Hz
 - 1280 x 768 60Hz
- Video formats:
 - 720p 60Hz
 - 1080i 60Hz
 - 480p 60Hz
 - 480i 60Hz

Power

- Hot re-strike time: < 45s
- Power consumption: < 300W
- Standby power consumption: < 3W
- Power off power consumption: < 1W
- Mains power: AC 100-240V, 50-60Hz

Dimensions

- Product dimensions (WxDxH): 46.7in x 15.3in x 36.in
- Product weight: 114 lbs

MAGNAVOX LIMITED WARRANTY

One (1) Year Labor & One (1) Year Parts & One (1) Year Display Repair

MAGNAVOX warrants this product against defect in material or workmanship, subject to any conditions set forth as follows:

PROOF OF PURCHASE:

You must have proof of the date of purchase to receive warranted repair on the product. A sales receipt or other document showing the product and the date that you purchased the product as well as the authorized retailer included, is considered such proof.

COVERAGE:

(If this product is determined to be defective)

LABOR: For a period of one (1) year from the date of purchase, Magnavox will repair or replace the product, at its option, at no charge, or pay the labor charges to any Magnavox authorized service center. After the period of one (1) year, Magnavox will no longer be responsible for charges incurred.

PARTS: For a period of one (1) year from the date of purchase, Magnavox will supply, at no charge, new or rebuilt replacement parts in exchange for defective parts. Magnavox authorized service centers will provide removal and installation of the parts for one (1) year.

DISPLAY: For a period of one (1) year from the date of purchase, Magnavox will supply, at no charge, a new or rebuilt active display device in exchange for the defective display. Magnavox authorized service centers will provide removal and installation of the parts under the specified labor warranty. (PTV screens carry a thirty (30) day replacement warranty.)

EXCLUDED FROM WARRANTY COVERAGE

Your warranty does not cover:

- Labor charges for installation or setup of the product, adjustment of customer controls on the product, and installation or repair of antenna systems outside of the product.
- Product repair and/or part replacement because of improper installation, connections to improper voltage supply, abuse, neglect, misuse, accident, unauthorized repair or other cause not within the control of Magnavox.
- A product that requires modification or adaptation to enable it to operate in any country other than the country for which it was designed, manufactured, approved and/or authorized, or repair of products damaged by these modifications.
- Damage occurring to product during shipping when improperly packaged or cost associated with packaging.
- Product lost in shipment and no signature verification of receipt can be provided.
- A product used for commercial or institutional purposes (including but not limited to rental purposes).
- Products sold AS IS or RENEWED.

TO OBTAIN WARRANTY SERVICE IN THE U.S.A., PUERTO RICO, OR U.S. VIRGIN ISLANDS...

Contact Magnavox Customer Care Center at:

1-800-705-2000

TO OBTAIN WARRANTY SERVICE IN CANADA...

1-800-661-6162 (French Speaking)

1-800-705-2000 (English or Spanish Speaking)

REPAIR OR REPLACEMENT AS PROVIDED UNDER THIS WARRANTY IS THE EXCLUSIVE REMEDY FOR THE CONSUMER. MAGNAVOX SHALL NOT BE LIABLE FOR ANY INCIDENTAL OR CONSEQUENTIAL DAMAGES FOR BREACH OF ANY EXPRESS OR IMPLIED WARRANTY ON THIS PRODUCT. EXCEPT TO THE EXTENT PROHIBITED BY APPLICABLE LAW, ANY IMPLIED WARRANTY OF MERCHANTABILITY OR FITNESS FOR A PARTICULAR PURPOSE ON THIS PRODUCT IS LIMITED IN DURATION TO THE DURATION OF THIS WARRANTY.

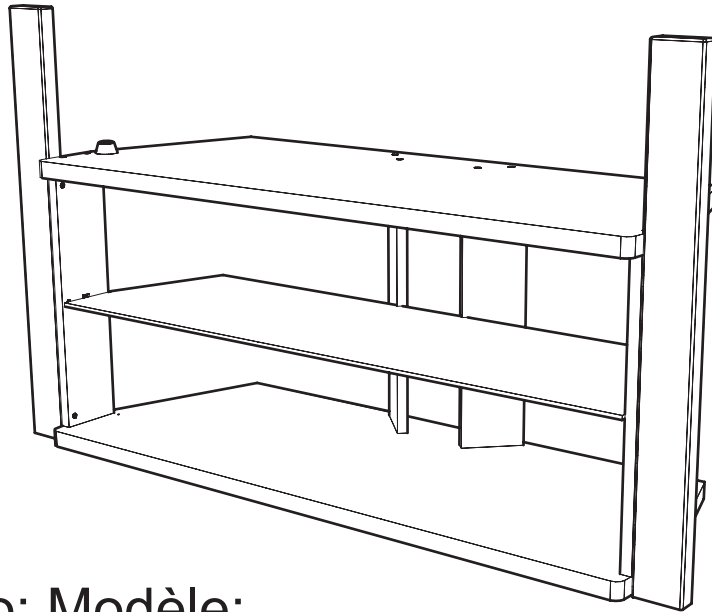
Some states do not allow the exclusions or limitation of incidental or consequential damages, or allow limitations on how long an implied warranty lasts, so the above limitations or exclusions may not apply to you. In addition, if you enter into a service contract agreement with the Magnavox partnership within ninety (90) days of the date of sale, the limitation on how long an implied warranty lasts does not apply.

This warranty gives you specific legal rights. You may have other rights which vary from state / province to state / province.

Magnavox, P. O. Box 671539, Marietta, GA. 30006-0026

MAGNAVOX
SMART. VERY SMART.

PHILIPS



Model: Modelo: Modèle:
ST509105G/37

TV STAND - BASE PARA TV - STAND POUR LA TÉLÉ



IMPORTANT SAFETY NOTE

IF ANY OF THE PARTS ARE MISSING OR DAMAGED, DO NOT PROCEED WITH ASSEMBLY UNTIL YOU OBTAIN A REPLACEMENT PART. FOR THE STAND TO FUNCTION SAFELY OVER ITS LIFETIME, ALL PARTS MUST BE ASSEMBLED IN ACCORDANCE WITH THESE INSTRUCTIONS. FAILURE TO DO SO MAY LEAD TO STAND AND T V COLLAPSE AND SERIOUS PERSONAL INJURY. WHEN SCREWING CONNECTORS, DO NOT STRIP THE THREADS AS THAT MAY CAUSE THE STAND TO COLLAPSE WHEN BEING MOVED.



REMARQUE DE SÉCURITÉ IMPORTANTE

SI TOUTE PIÈCE EST MANQUANTE OU DÉFECTUEUSE, NE PAS PROCÉDER À L'ASSEMBLAGE JUSQU'À CE QUE L'ON OBTIENNE UNE PIÈCE DE RECHANGE. POUR QUE LA BASE SOIT SÉCURITAIRE LONGTEMPS, TOUTES LES PIÈCES DOIVENT ÊTRE ASSMEBLÉES CONFORMÉMENT AUX INSTRUCTIONS. SI CELA N'EST PAS FIAT. LE TÉLÉVISEUR PEUT TOMBER ET CAUSER DE BLESSURES. AU MOMENT DE VISSER LES CONNECTEURS, NE PAS ABÎMER LES FILETS CAR CELA PEUT FAIRE AFFAISSER LA BASE SE ELLE EST DÉPLACÉE.



NOTA IMPORTANTE DE SEGURIDAD

SI ALGUNA PIEZA FALTA O ESTA DAÑADA, NO INICIE EL ENSAMBLE HASTA OBTENER LAS PIEZAS DE REEMPLAZO. PARA QUE LA BASE FUNCIONE SIN PROBLEMAS DURANTE SU VIDA ÚTIL, TODAS LAS PIEZAS DEBERÁN SER ENSAMBLADAS DE ACUERDO A ESTAS INSTRUCCIONES. EN CASO CONTRARIO LA BASE Y LA TELEVISIÓN PUEDEN COLAPSARSE Y PROVOCAR LESIONES SERIAS. EVITE APLICAR DEMASIADA FUERZA AL ATORNILLAR Y DAÑAR LA ROSCA DE LOS TORNILLOS, ESTO PODRÍA CAUSAR QUE LA BASE SE DESARME CUANDO SE MUEVA.



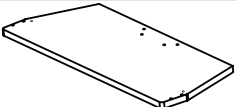
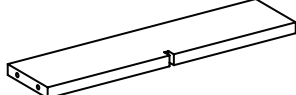
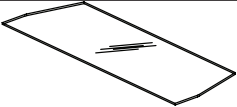
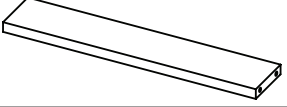
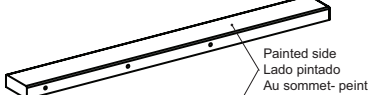
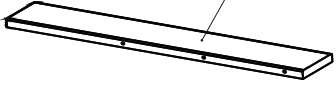





HOW TO CLEAN METODO DE LIMPIEZA NETTOYAGE

To clean finished parts dampen a soft cloth with a mild solution of dish washing detergent and water. Clean unit allowing to air dry. A household window cleaner may be used on the glass shelves.

Para limpiar las piezas acabadas, humedezca un trapo con una ligera solución de detergente y agua. Limpie la unidad y permita que se seque al aire. Una solución comercial para limpiar vidrio se podría utilizar para limpiar la repisa de vidrio.

Pour nettoyer les pièces finies, prendre un chiffon humide d'une solution d'eau et de détergent à vaisselle. Nettoyer la base, puis laisser sécher à l'air. Un nettoyant à vitres peut être utilisé sur les tablettes en verre

PARTS INCLUDED PARTES INCLUIDAS PIÈCES ONT INCLUSES

	DESCRIPTION DESCRIPCIÓN DESCRIPTION		#	PART NUMBER NUMERO DE PARTE NUMÉRO DE LA PIÈCE
	CONFIRMIT BOLT TORNILLO CONFIRMIT CONFIRMIT BOULON	A	22	1014200
	MACHINE SCREWS TORNILLO VIS	B	3	1548491
	TOP/BOTTOM PANEL PANEL SUPERIOR / INFERIOR PANNEAU INFÉRIEUR / SUPÉRIEUR	C	2	1965386
	BACK POST PANEL TRASERO PANNEAU POSTERIEUR	D	2	1965391
	GLASS SHELF ESTANTE DE VIDRIO TABLETTE EN VERRE	E	1	1962636
	VERTICAL POST POSTE VERTICAL POSTE VERTICALE	F	2	1965387
 <small>Painted side Lado pintado Au sommet-peint</small>	LEFT SIDE SUPPORT SOPORTE LATERAL IZQUIERDO APPUI DE CÔTÉ GAUCHE	G	1	1965388
	RIGHT SIDE SUPPORT SOPORTE LATERAL DERECHO APPUI DE CÔTÉ DROITE	H	1	1965389
	SHELF BRACKET SOPORTE PARA REPISA SUPPORT D'ÉTAGÈRE	I	2	1515744
	RUBBER FOOT PIE DE GOMA PIED DE GOMME	J	2	1007245
	TACK GLIDE TACÓN DE PLASTICO PIED EN PLASTIQUE	K	5	1645487
	SAFETY STRAP CORREA DE SEGURIDAD ATTACHE DE SURETE	L	1	1042933
	SELF ADHESIVE CAPS TAPA ADHESIVA ADHESIF TOIT	M	14	1833213

TOOLS NEEDED FOR ASSEMBLY HERRAMIENTAS PARA ENSAMBLE OUTILS NÉCESSAIRES POUR L'ASSEMBLAGE



HAMMER (OPTIONAL)
MARTILLO (OPCIONAL)
MARTEAU (OPTIONNEL)



PHILIPS SCREW DRIVER
DESARMADOR DE CRUZ
TOURNEVIS PHILLIPS

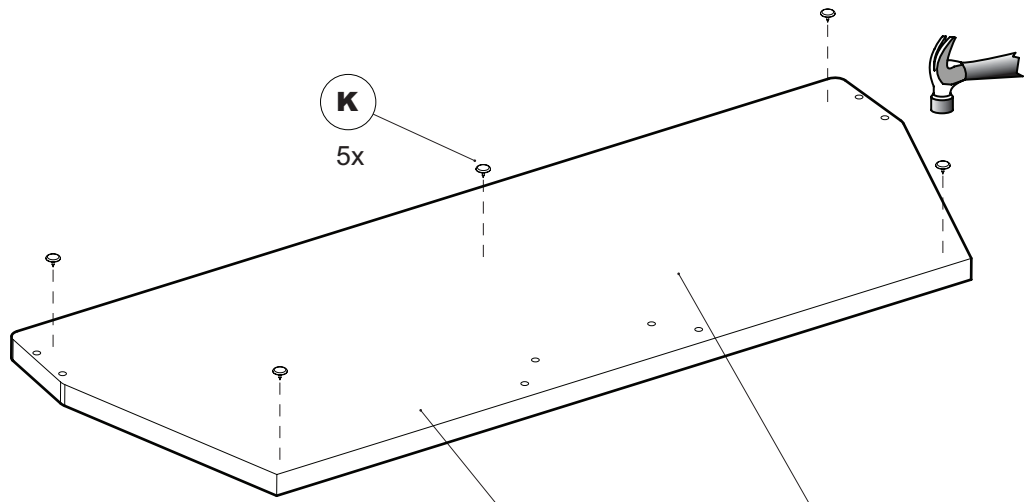


This symbol means screw and tie (clockwise)

Este símbolo significa atornille y apriete (en sentido de las manecillas del reloj)

Celui-ci symbole signifie vis et cravate (en sens des manetons de l'horloge)

1

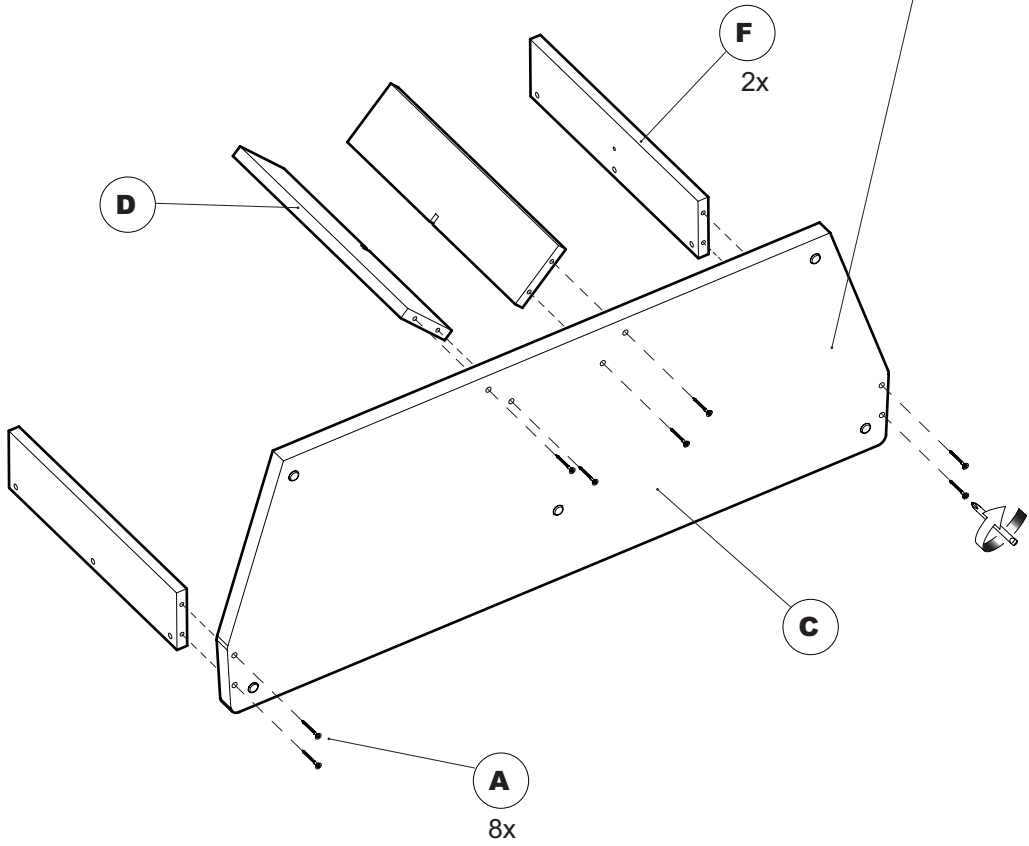


K
5x

C

Unpainted side
Lado no pintado
No au sommet- peint

2

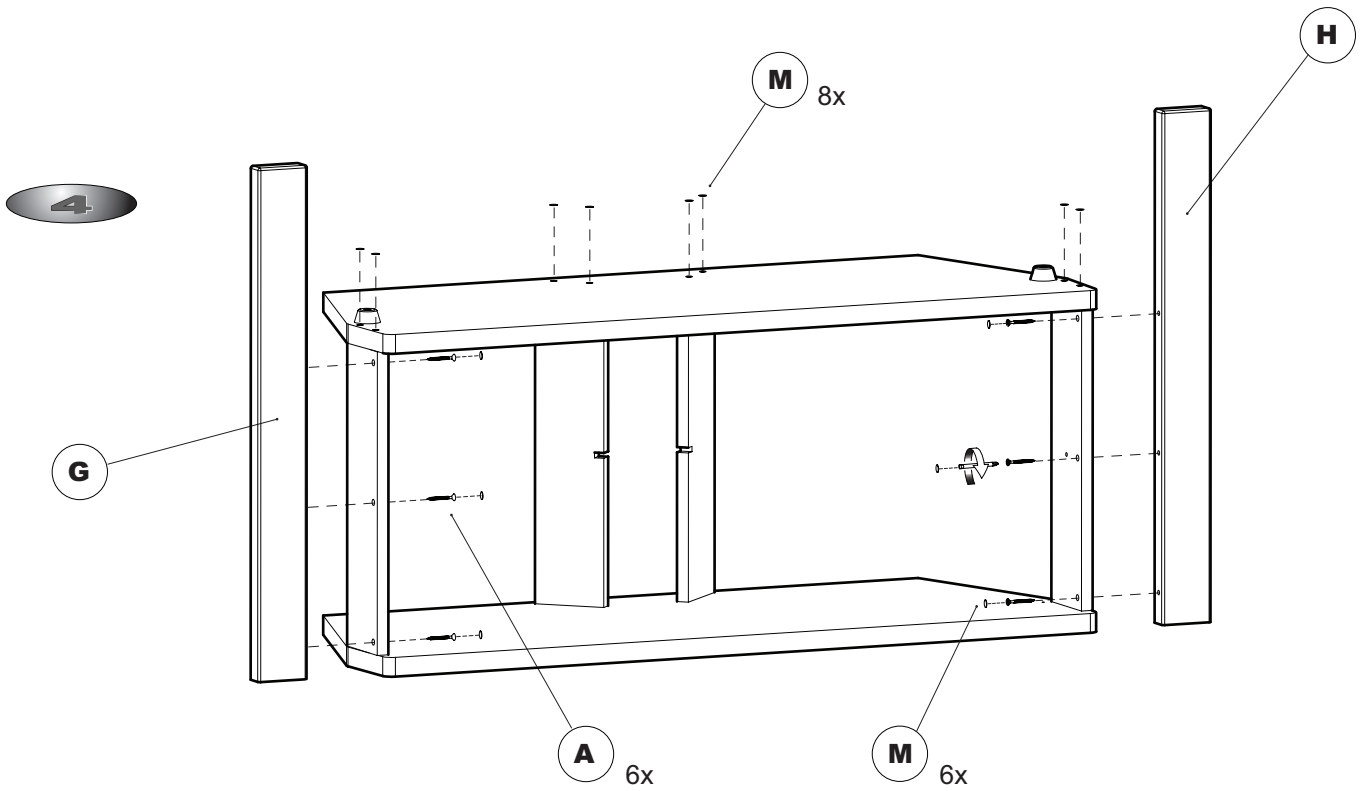
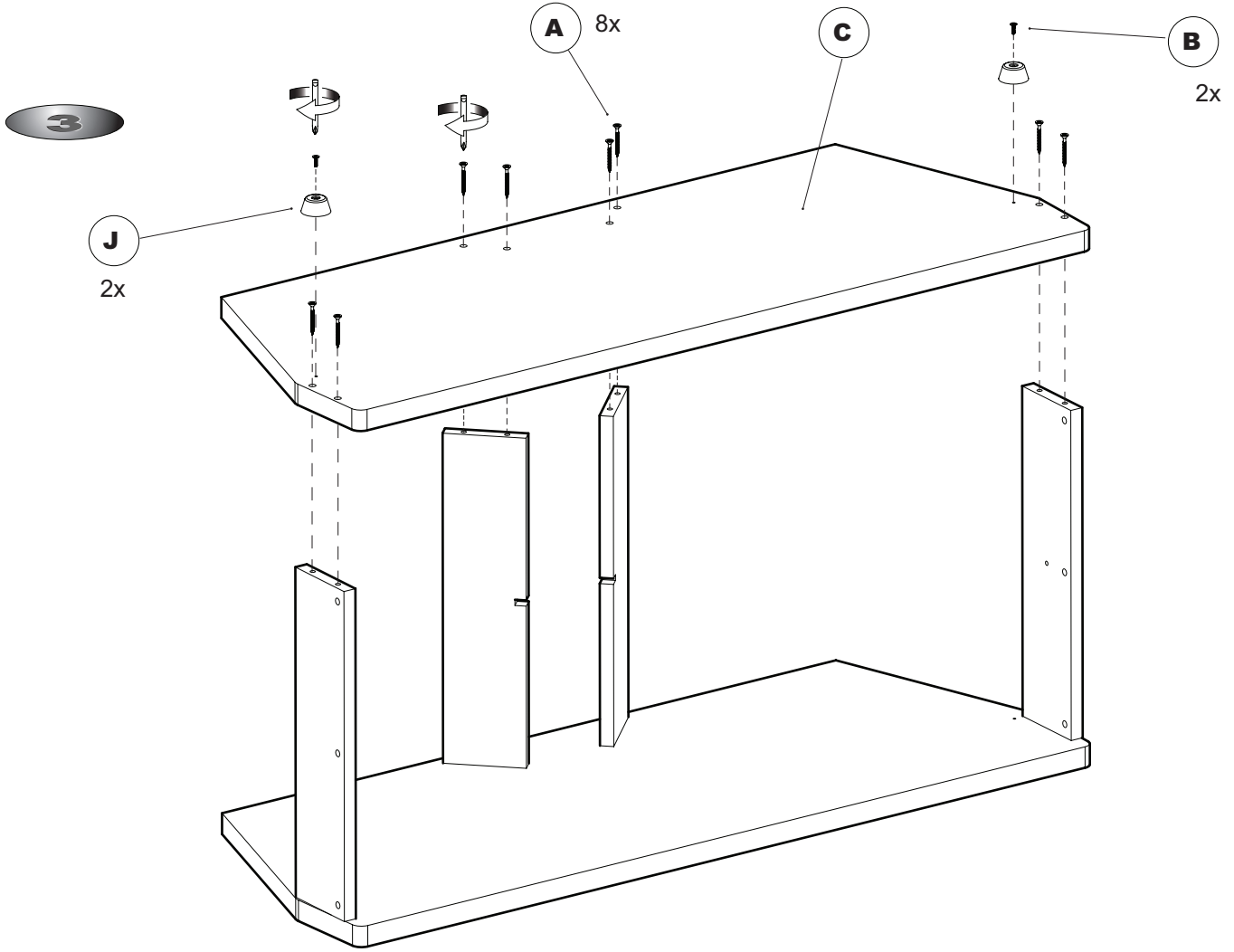


D

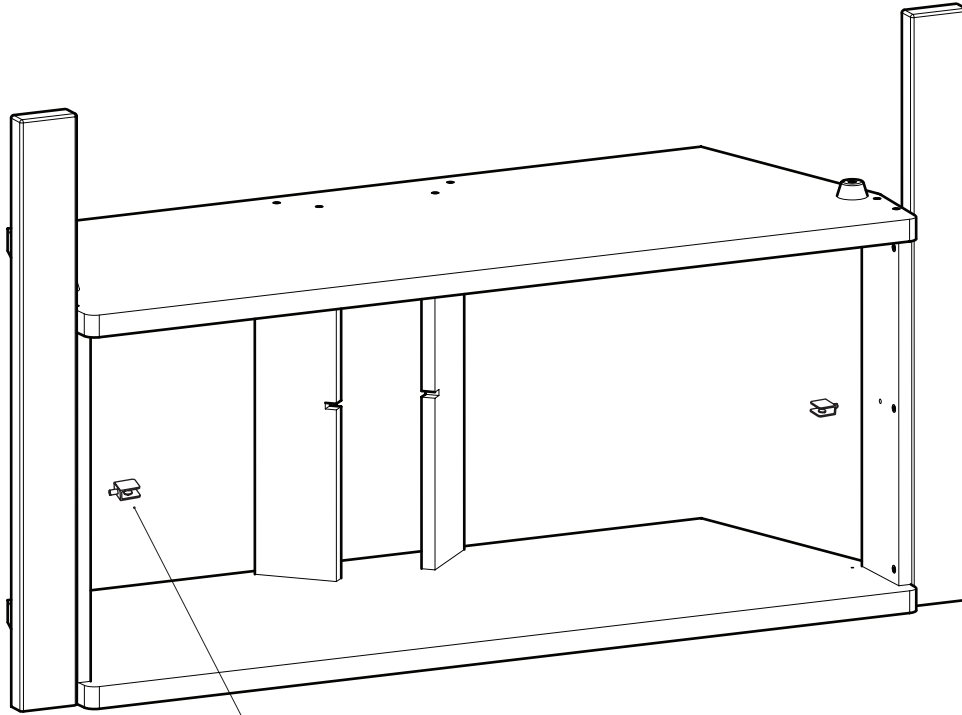
F
2x

C

A
8x



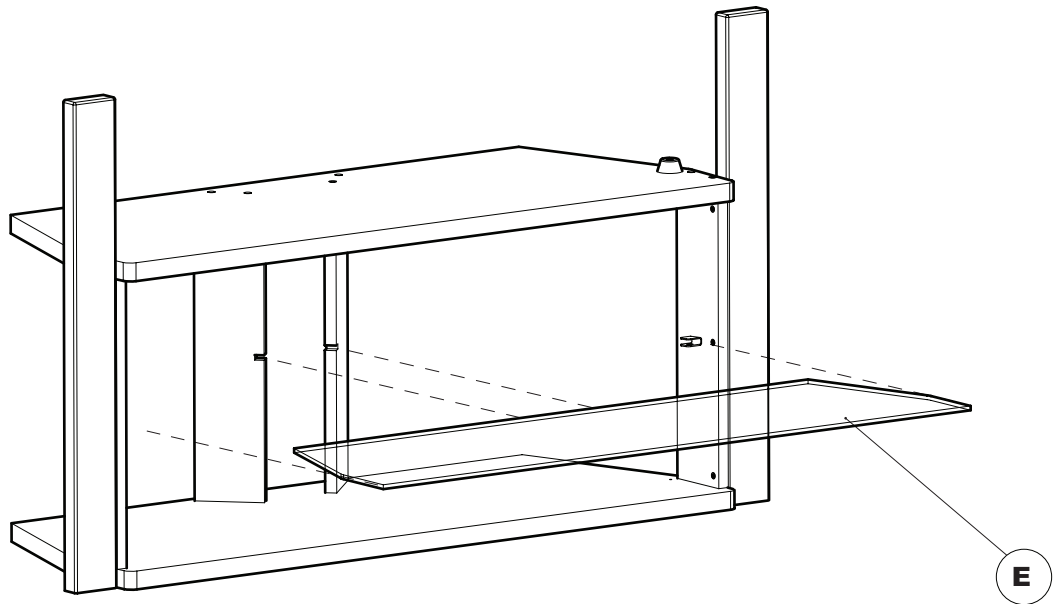
5



I

2x

6

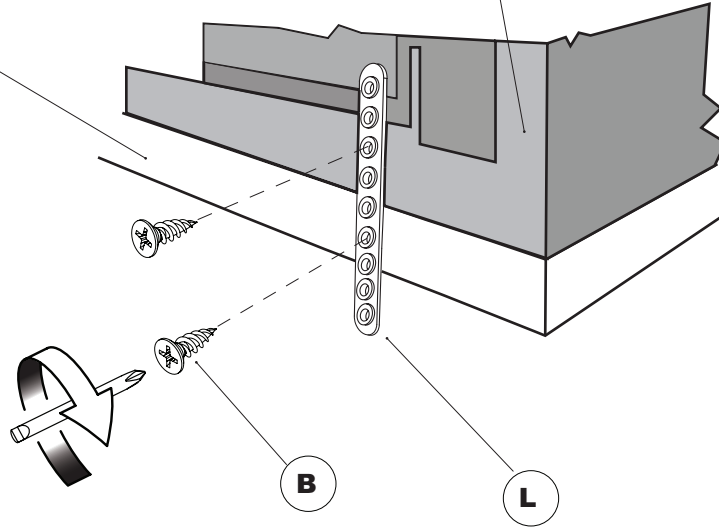


E

7

Back of TV
Parte trasera de la TV
Partie arrière de la TV

Back of TV stand
Parte trasera de la base para TV
Partie arrière du stand de TV



LIMITED WARRANTY

Cabinet Factory warrants this product against defects in material or workmanship. Subject to any conditions set forth as follows:

1. This warranty is expressly limited to the replacement of Cabinet Factory stand parts and components.
2. For a period of 90 days from date of original purchase, Cabinet Factory will supply parts that are determined to be defective or missing, at no charge, to the original purchaser. After the warranty period, you will be charged for all orders.

This warranty does not cover damages, which occur in shipment or failures due to acts of God, accident, misuse, abuse, negligence, faulty installation, misapplication, setup, improper maintenance, commercial use, or modification of, or to any part of the product. This warranty does not cover Products sold AS IS or WITH ALL FAULTS. This warranty is valid only in the United States and Canada. Proof of purchase in the form of a bill of sale or receipted invoice, which is evidence that the unit is within the warranty period, must be presented to obtain the replacement parts. REPLACEMENT PARTS AS PROVIDED UNDER THIS WARRANTY ARE THE EXCLUSIVE REMEDY OF THE CONSUMER. Cabinet Factory SHALL NOT BE LIABLE FOR ANY INCIDENTAL OR CONSEQUENTIAL DAMAGES FOR BREACH OF ANY EXPRESS OR IMPLIED WARRANTY ON THE PRODUCT. EXCEPT TO THE EXTENT PROHIBITED BY APPLICABLE LAW. ANY IMPLIED WARRANTY OF MERCHANTABILITY OR FITNESS FOR A PARTICULAR PURPOSE ON THIS PRODUCT IS LIMITED IN DURATION TO THE DURATION OF THIS WARRANTY. Some states do not allow the exclusion or limitation of incidental or consequential damages, or allow limitations on how long an implied warranty lasts, so the above limitations or exclusions may not apply to you. This warranty gives you specific legal rights, and you may have other rights, which vary from state to state. In order to obtain replacement parts, you must provide PROOF OF PURCHASE and complete the information on the order form.

GARANTÍA LIMITADA

Cabinet Factory garantiza este producto contra defectos en materiales o en mano de obra. Sujeto a todas las condiciones presentadas a continuación:

1. Esta garantía está limitada expresamente al reemplazo de partes y componentes para la base de TV Cabinet Factory
2. Por un periodo de 90 días de la fecha de la compra original, Cabinet Factory suministrará las partes defectuosas o faltantes, sin costo alguno, al comprador original. Después del período de garantía, se cobrarán todas las órdenes.

Esta garantía no cubre daños que ocurran durante el transporte o por fallas debido a desastres naturales, accidentes, mal uso, abuso, negligencia, instalación defectuosa, uso incorrecto, mantenimiento incorrecto, uso comercial o por modificaciones hechas a cualquier parte del producto. Esta garantía no cubre los productos vendidos TAL Y COMO ÉSTA o CON TODAS LA FALLAS. Esta garantía sólo es válida en los Estado Unidos y Canadá. Debe presentarse un comprobante de compra, como factura o nota de venta, como evidencia que la unidad se encuentra dentro del período de garantía para obtener refacciones o repuestos. LAS PARTES DE REPUESTO SUBMINISTRADAS BAJO ESTA GARANTÍA SON LA ÚNICA COMPENSACIÓN PARA EL CONSUMIDOR. Cabinet Factory NO SERÁ RESPONSABLE DE NINGÚN DAÑO INCIDENTAL O POR NINGUNA CONSECUENCIA POR LA VIOLACIÓN DE CUALQUIER GARANTÍA EXPRESA O IMPLÍCITA EN EL PRODUCTO, EXCEPTO DE POR LAS EXTENSIONES PROHIBIDAS POR LAS LEYES APLICABLES. CUALQUIER GARANTÍA COMERCIAL IMPLÍCITA PARA UN PROPÓSITO PARTICULAR EN ESTE PRODUCTO SE LIMITA LA DURACIÓN DE ESTA GARANTÍA. Algunos estados no permiten la exclusión o los límites por daños incidentales o consecuenciales, ni permiten límites sobre el tiempo que dure una garantía implícita, de modo que los límites o exclusiones mencionados anteriormente pueden no aplicar a usted. Esta garantía le ofrece derechos legales específicos, y usted pondría tener otros derechos que varían de estado a estado. Para obtener partes de repuesto, deberá proporcionar un COMPROBANTE DE COMPRA y llenar la información en esta tarjeta de garantía. Enviela por fax o por correo a:

GARANTIE LIMITÉE

Cabinet Factory garantit ce produit contre toutes déficiences matériels ou erreur de fabrication soumis à les conditions suivantes.

1. Cette garantie est limitée au remplacement de pièces Cabinet Factory et à ses composants
2. Pour une période de 90 jours de la date d'achat original, Cabinet Factory fournira les pièces défectueuses ou manquantes gratuitement au acheteur original. Après la période de garantie, toute commande sera facturée.

Cette garantie ne comprend pas dommages qui survient durant le transport liées au accidents ou phénomènes naturelles, mauvaise utilisation, abuse, négligence, mauvaise installation, mauvaise application, démarrage, mauvais maintenance ou modification du produit ou de parties du produit. Cette garantie ne couvre pas les produits vendus "DANS L'ETAT QU' ILS ETAIT". Cette garanti est valable seulement aux États Unis et au Canada. La preuve d'achat sur forme de ticket de caisse ou récépissé, ce qui montre l'évidence que le produit est dans le période de garantie, doit être présenté pour l'obtention des pièces à remplacer. LES PIECES DE REMPLACEMENT, COMME CETTE GARANTIE LE SIGNALE, SONT SOUS LA RESPONSABILITE DU CONSUMENTEUR. Cabinet Factory NE SERA PAS RESPONSABLE DES DOMMAGES CAUSEES POUR LA VIOLATION EXPLICITE OU IMPLICITE DE CETTE GARANTIE SUR LE PRODUIT, SAUF EN CAS D'INTERDICTION D'UTILISATION PAR LA LOI APPLICABLE. LA GARANTIE DE COMMERCIALISATION POUR CE PRODUIT EST LIMITEE A LA DURATION DE CETTE GARANTIE. Certains provinces ne permet pas l'exclusion ou limitation de dommages, ou permettent limitations pour le période garantit, alors les limitations ci-dessous ou exclusions peut être ne sont pas applicables a vous. Cette garantie vous donne des droits spécifiques et vous pouvez avoir autres droits qui changent selon la provence. Pour l'obtention des pièces détachées, vous devrez présenter la preuve d'achat et compléter l'information de demander la forme.

SERVICEABLE PART ORDER FORM

Name Nombre Nom			
Address Domicilio Adresse			
City Ciudad Ville	State Estado Prov	Zip code Código Postal Code Postal	Phone Teléfono Tél



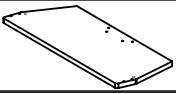
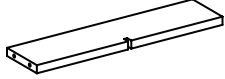
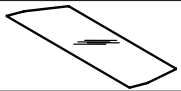

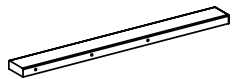






Fax or mail these to:
Envíela por fax o por correo a:
nvoyez UN fax ou émail à:

Cabinet Factory
1255 W. Christmas Boulevard
Santa Claus, IN 47579
800-892-0128
Fax 812-937-3200

Model : 00000000
Cust : MFG DATE

Serial Number

Additional Serial Tag located on Stand
Una etiqueta adicional con numero de serie se localiza en la base para TV
Un étiquette additionnelle avec numéro de série est localisée dans la stand pour TV

Part Parte Pièce	Part Number No. de Parte No. de pièce	Description Descripción Description	Quantity Cantida Quantité	Reason Motivo Raison
	1014200	CONFIRMIT BOLT TORNILLO CONFIRMIT CONFIRMIT BOULON		
	1548491	MACHINE SCREWS TORNILLO VIS		
	1965386	TOP/BOTTOM PANEL PANEL SUPERIOR / INFERIOR PANNEAU INFÉRIEUR / SUPÉRIEUR		
	1965391	BACK POST PANEL TRASERO PANNEAU POSTERIEUR		
	1962636	GLASS SHELF ESTANTE DE VIDRIO TABLETTE EN VERRE		
	1965387	VERTICAL POST POSTE VERTICAL POSTE VERTICALE		
	1965388	LEFT SIDE SUPPORT SOPORTE LATERAL IZQUIERDO APPUI DE CÔTÉ GAUCHE		
	1965389	RIGHT SIDE SUPPORT SOPORTE LATERAL DERECHO APPUI DE CÔTÉ DROITE		
	1515744	SHELF BRACKET SOPORTE PARA REPISA SUPPORT D'ÉTAGÈRE		
	1007245	RUBBER FOOT PIE DE GOMA PIED DE GOMME		
	1645487	TACK GLIDE TACÓN DE PLASTICO PIED EN PLASTIQUE		
	1042933	SAFETY STRAP CORREA DE SEGURIDAD ATTACHE DE SURETE		
	1833213	SELF ADHESIVE CAPS TAPA ADHESIVA ADHESIF TOIT		

Free Manuals Download Website

<http://myh66.com>

<http://usermanuals.us>

<http://www.somanuals.com>

<http://www.4manuals.cc>

<http://www.manual-lib.com>

<http://www.404manual.com>

<http://www.luxmanual.com>

<http://aubethermostatmanual.com>

Golf course search by state

<http://golfingnear.com>

Email search by domain

<http://emailbydomain.com>

Auto manuals search

<http://auto.somanuals.com>

TV manuals search

<http://tv.somanuals.com>