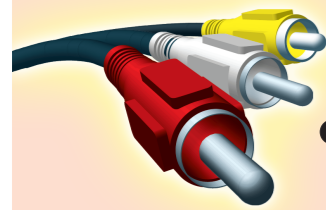


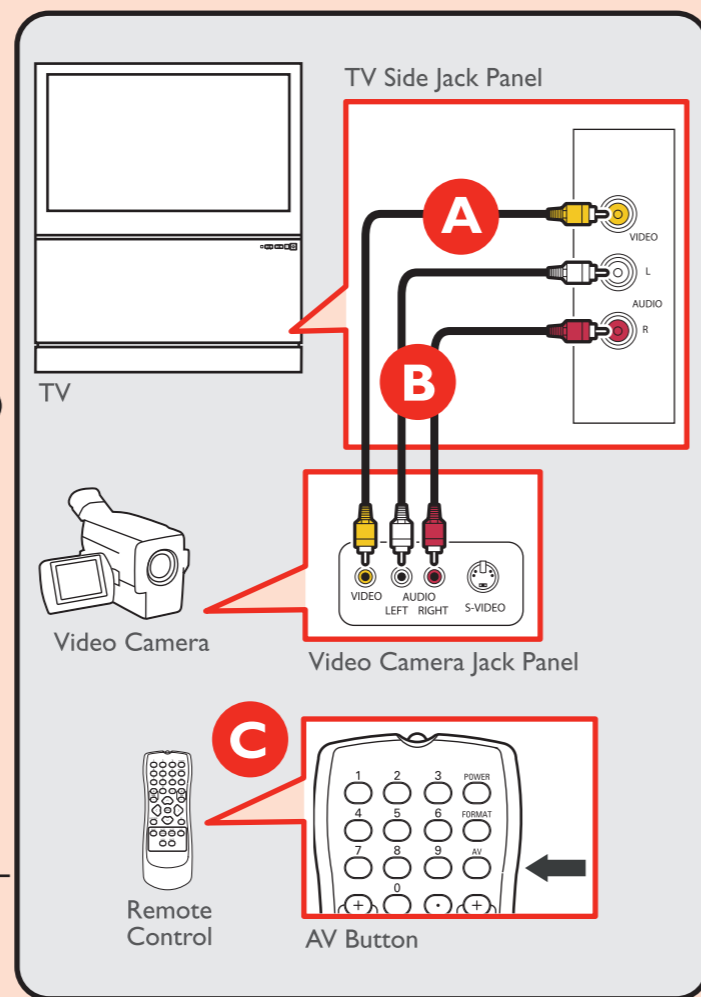
5 Video Camera/Games Console to TV



Composite Audio/Video

- A** Connect the video cable (yellow) from the video output on camera (or other device) to the video input (yellow) located on the side of TV.
- B** Connect audio cables (red/white) from audio outputs on device to audio inputs (red/white) on the side of TV.
Note: for mono devices, connect only white audio cable from device's audio output to white audio input on the side of TV.
- C** Turn on TV and the device. Press the AV button on the remote control until FRONT/SIDE appears on TV screen.
- D** Press PLAY on the device to verify connection.

Other Possible Connections



MAGNAVOX
SMART. VERY SMART.

How to make the best connection

Use this guide to achieve the optimal connection for each of your components. Alternative connections are also provided.

Connection Basics



Component Video Input

Provides superior picture quality by separating the green, blue and red luminance signals. Typically used with red/white audio cables.

S-Video

Supplies a better picture than RF and Composite connections. Used with red/white audio cables.

Composite Audio/Video

Separate video (yellow) and audio (red/white) cables that provide a basic connection from the cable box and other devices. Note: The color of audio inputs may differ, e.g. red/white or red/black.

RF

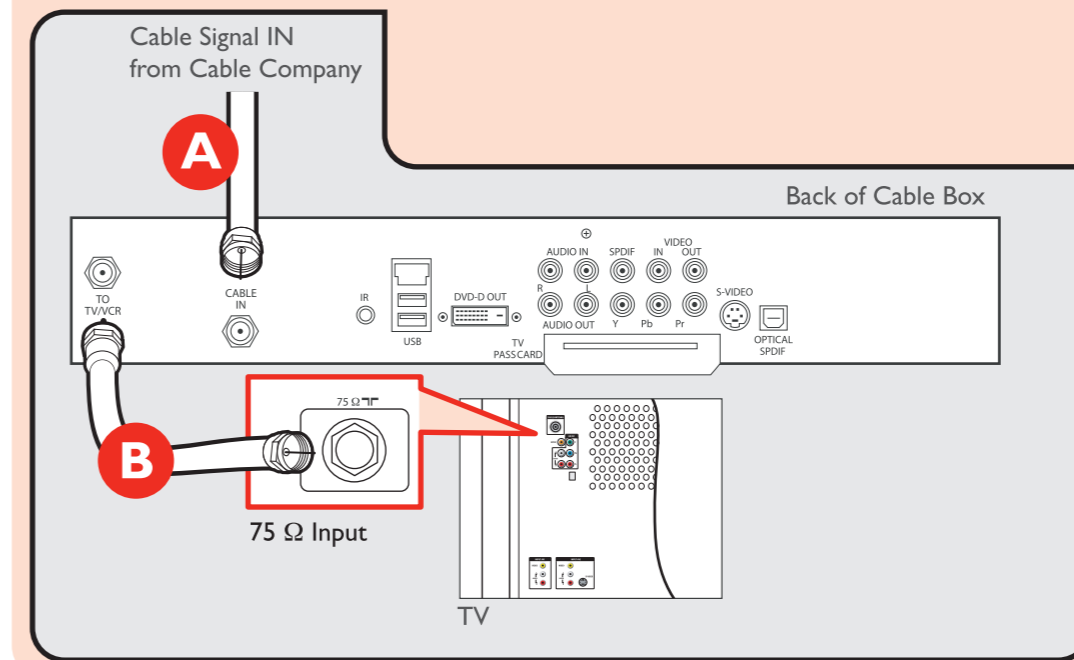
Provides a basic connection for antenna or cable. Provides both audio and video.

1 Set-Top Box to TV



RF Cable

- A** Connect RF cable from wall to input at the back of the cable box.
- B** Use second RF cable to connect the cable box to the TV input (75 Ω). Note: This connection gives mono sound. For stereo sound use also composite audio/video connection (Refer to panel 3).
- C** Set output switch on set-top box to CH 3 or 4 and tune TV to same channel.



Other Possible Connections



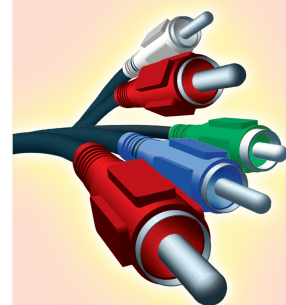
Need more help?

User manual:

Check the user manual that came with your TV.

Online help: www.usasupport.magnavox.com

2 DVD Player or DVD Recorder to TV



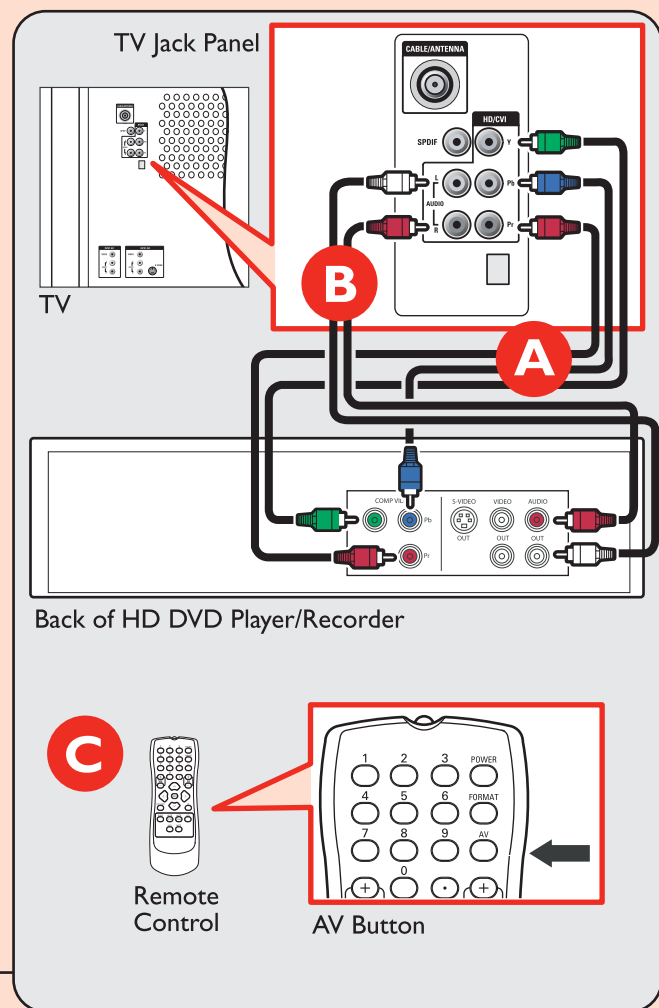
**HD CVI (Component Video Input)
(only for HD devices)**

- A** Insert Component Video connectors into their corresponding jacks on both HD DVD player/HD DVD recorder and TV (HD CVI-Y, Pb and Pr).
- C** Turn on TV and DVD player/DVD recorder. Press AV on remote control until HD CVI appears on TV screen.

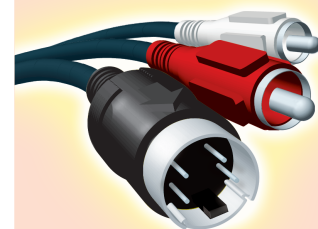
- B** Connect red/white audio cables into the audio output jacks on DVD player/DVD recorder and audio AV inputs on TV.
- D** Insert a pre-recorded DVD into DVD player/DVD recorder and press PLAY to verify correct connection.

- Note:** HD CVI gives the best high definition picture. When using HD CVI, it is best not to connect a video signal to the AV input on the TV.

Other Possible Connections



4 VCR to TV

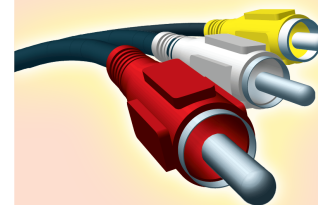


S-Video

- A** Connect S-Video cable to S-Video input on back of TV and S-Video output on back of VCR.
- C** Turn on TV and VCR. Press AV button on the remote control until AV1 or AV2 appears on TV screen.
- B** Connect audio cables (red/white) to audio AV inputs on back of TV and Audio outputs on back of VCR.
- D** Insert pre-recorded videotape into VCR and press PLAY to verify correct connection.

Note: When you connect S-Video and AV2 at the same time, you can only hear sound coming from S-Video.

OR



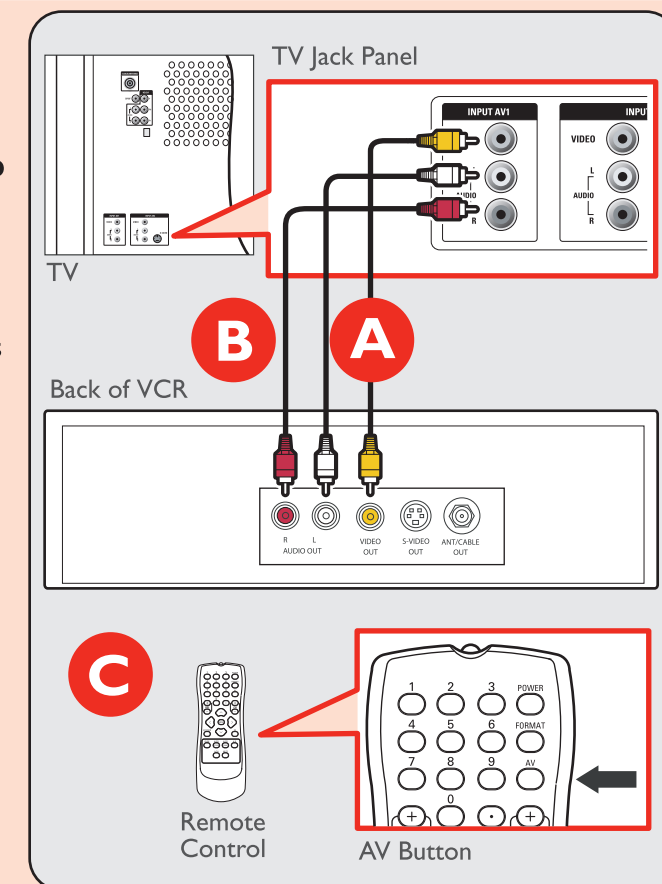
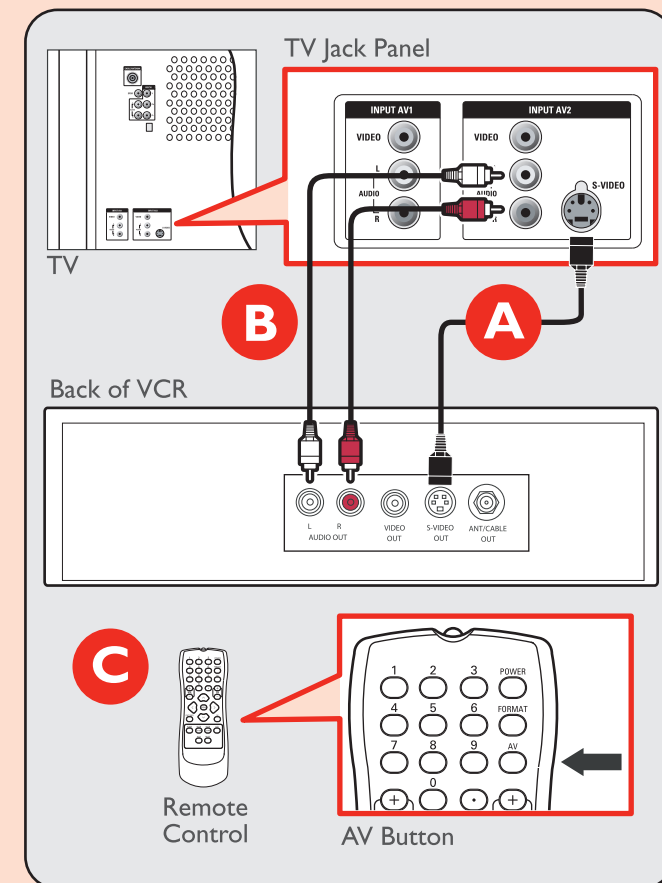
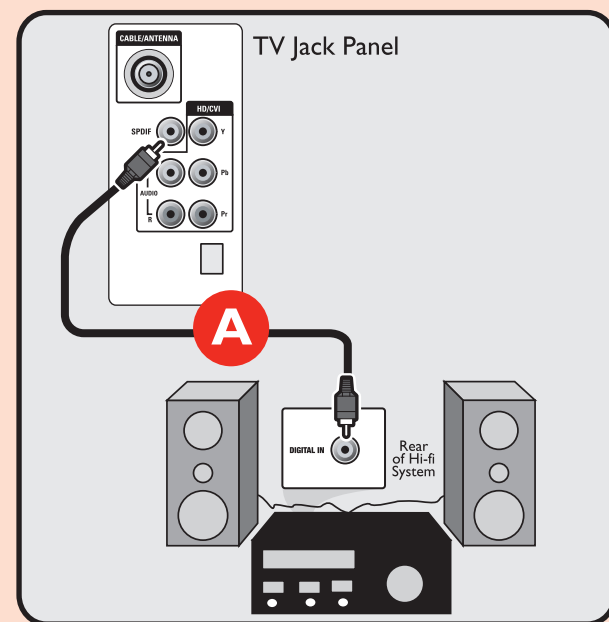
Composite Audio/Video

- A** Connect the video cable (yellow) to the VIDEO AV input on back of TV and the corresponding video output on back.
- C** Turn on the TV and VCR. Press AV button on the remote control until AV1 or AV2 appears on TV screen.
- B** Connect audio cables (red/white) to audio AV inputs on back of TV and the corresponding audio outputs (L & R) on back of VCR.
- D** Insert pre-recorded videotape into VCR and press PLAY to verify correct connection.

3 Audio to Hi-fi System

- A** Connect audio cable from the SPDIF jack on the rear of the TV to the DIGITAL IN jack on the rear of the hi-fi system.

Note: SPDIF (Sony and Philips Digital Interconnect Format) is highly recommended for high quality digital sound output.



Free Manuals Download Website

<http://myh66.com>

<http://usermanuals.us>

<http://www.somanuals.com>

<http://www.4manuals.cc>

<http://www.manual-lib.com>

<http://www.404manual.com>

<http://www.luxmanual.com>

<http://aubethermostatmanual.com>

Golf course search by state

<http://golfingnear.com>

Email search by domain

<http://emailbydomain.com>

Auto manuals search

<http://auto.somanuals.com>

TV manuals search

<http://tv.somanuals.com>