

MPC210BL MPC210GR MPC210SL PORTABLE CD PLAYER

Read this manual first! If you have any problems, do not attempt to return this product to the store. For fast help, call us first! 1-800-531-0039

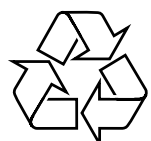
IMPORTANT! Return your Warranty Registration Card within 10 days of your purchase.



PHILIPS CONSUMER ELECTRONICS COMPANY A Division of Philips Electronics North America Corporation Knoxville, Tennessee 37914-1810, U.S.A.

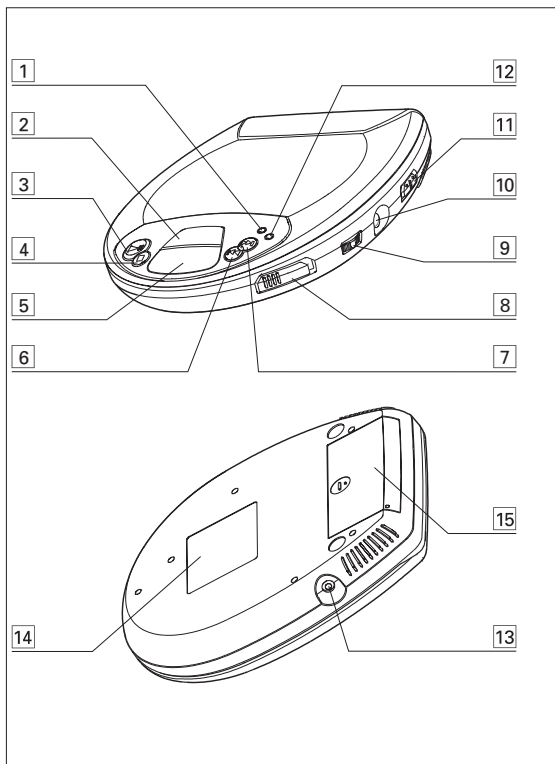
- English Français Español

Meet Philips at the Internet http://www.philipsusa.com

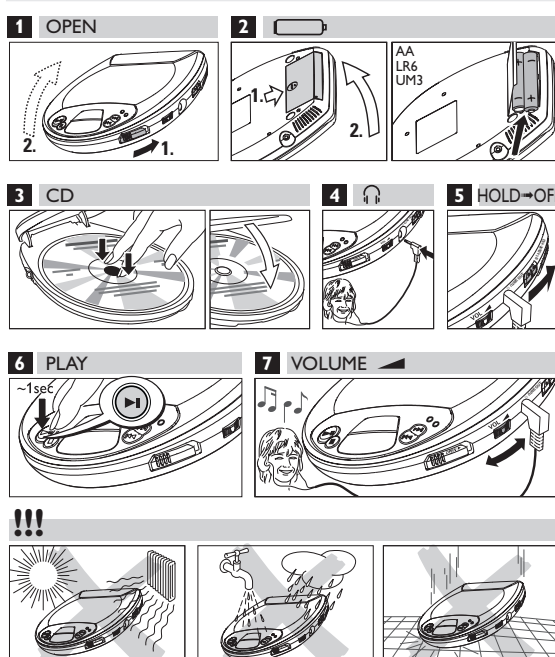


CLASS 1 LASER PRODUCT

3140 115 2XXX.1 Printed in Hong Kong



QUICK START MISE EN SERVICE RAPIDE ENCENDIDO RAPIDO



IMPORTANT SAFETY INSTRUCTIONS

- 1. Read these instructions. 2. Keep these instructions. 3. Heed all warnings. 4. Follow all instructions. 5. Do not use this apparatus near water. 6. Clean only with dry cloth. 7. Do not block any ventilation openings. 8. Do not install near any heat sources. 9. Only use attachments/accessories specified by the manufacturer. 10. Use only with the cart, stand, tripod, bracket, or table specified by the manufacturer or sold with the apparatus.

English: This digital apparatus does not exceed the Class B limits for radio noise emissions from digital apparatus as set out in the Radio Interference Regulations of the Canadian Department of Communications. Français: Cet appareil numérique n'émet pas de bruits radioélectriques dépassant les limites applicables aux appareils numériques de Classe B prescrites dans le Règlement sur le Bruitage Radioélectrique édicté par le Ministère des Communications du Canada.

The set complies with the FCC-Rules, Part 15 and with 21 CFR 1040.10. Operation is subject to the following two conditions: 1. This device must not cause harmful interference, and 2. This device must accept any interference received, including interference that may cause undesired operation.

L'appareil répond aux normes FCC, Part 15 et 21 CFR 1040.10. Fonctionnement soumis aux deux conditions suivantes: 1. Cet appareil ne doit pas provoquer d'interférences nuisibles, et 2. Cet appareil doit accepter toute interférence reçue, y compris les interférences susceptibles de provoquer un fonctionnement peu satisfaisant.

El aparato cumple las normas FCC, Parte 15 y 21 CFR 1040.10. Funcionamiento dependiente de dos condiciones siguientes: 1. Este aparato no puede provocar interferencia dañina, y 2. Este aparato debe aceptar cualquier interferencia recibida, incluyendo las interferencias que pueden provocar un funcionamiento insuficiente.

CONSIGNES DE SÉCURITÉ IMPORTANTES

- 1. Lisez ces instructions. 2. Conservez ces instructions. 3. Respectez les avertissements. 4. Suivez toutes les instructions. 5. N'utilisez pas cet appareil à proximité d'une source d'eau. 6. Nettoyez l'appareil uniquement avec un chiffon sec. 7. N'obstruez aucun orifice de ventilation. 8. N'installez pas l'appareil près d'une source de chaleur. 9. Utilisez uniquement des accessoires ou options recommandés par le fabricant. 10. Utilisez uniquement un meuble sur roulettes.

LIMITED WARRANTY PORTABLE COMPACT DISC One Year Free Exchange

WHO IS COVERED? WHAT IS COVERED? WHAT IS EXCLUDED? WHERE IS EXCHANGE AVAILABLE? This warranty gives you specific legal rights. You may have other rights which vary from state/province to state/province.

Philips Service Solutions Group, P.O. Box 2974, Longview, Texas 75606, (903) 242-4800

INSTRUCCIONES IMPORTANTES DE SEGURIDAD

- 1. Lea estas instrucciones. 2. Conserve estas instrucciones. 3. Lea todos los avisos. 4. Siga todas las instrucciones. 5. No utilice este aparato cerca del agua. 6. Para limpiar el aparato utilice sólo un trapo seco. 7. No tape las aperturas de ventilación. 8. No instale el equipo cerca de fuentes de calor. 9. Utilice exclusivamente aquellos dispositivos/accesorios recomendados por el fabricante. 10. Coloque el equipo exclusivamente sobre aquellos carros, bases, trípodes, soportes o mesas especificados por el comerciante o vendedores con el equipo.

Renovez votre carte d'enregistrement de garantie pour vous assurer de recevoir tous les avantages auxquels vous avez droit.

Vérification de garantie, Confirmation de possession, Enregistrement du modèle. Cet espace vous est réservé. Écrivez ci-dessous le numéro de série.

Connaissiez ces symboles de sécurité. ATTENTION, DANGER, CAUTION. Para uso del cliente: Escriba abajo el número de serie que se encuentra en el panel posterior.

- 11. Confie el mantenimiento y las reparaciones a personal técnico especializado. 12. Uso de las pilas - PRECAUCIÓN: Para prevenir escapes en las pilas, que pueden ocasionar lesiones físicas o daños en la unidad. No mezcle las pilas (viejas con nuevas o de carbono y alcalinas, etc.).

Envíe hoy su Tarjeta de Registro de la Garantía para recibir todas las ventajas correspondientes.

Vérification de la garantía, Confirmation del dueño, Registro del modelo. La devolución inmediata de su Tarjeta de Registro de la Garantía le garantiza que recibirá toda la información y todas las promociones especiales que le corresponden por ser el dueño de su modelo.

Para uso del cliente: Escriba abajo el número de serie que se encuentra en el panel posterior. ADVERTENCIA: PARA EVITAR EL RIESGO DE SACUDIDA ELÉCTRICA O INCENDIO, NO EXPONGA ESTE EQUIPO A LLUVIA NI A HUMEDAD.

Return your Warranty Registration card today to ensure you receive all the benefits you're entitled to.

Once your Philips purchase is registered, you're eligible to receive all the privileges of owning a Philips product.

Warranty Verification, Owner Confirmation, Model Registration. Registering your product within 10 days confirms your right to maximum protection under the terms and conditions of your Philips warranty.

CAUTION: TO AVOID THE RISK OF ELECTRIC SHOCK, DO NOT REMOVE COVER OR PANEL. THIS IS A LASER PRODUCT. DO NOT OPEN. This 'bolt of lightning' indicates uninsulated material your unit may cause an electrical shock.

WARNING: TO PREVENT FIRE OR SHOCK HAZARD, DO NOT EXPOSE THIS EQUIPMENT TO RAIN OR MOISTURE. CAUTION: To prevent electric shock, match wide blade of plug to wide slot, and fully insert.

English

- CONTROLS (see illustration in first column) 1 MODE selects the different playing possibilities: SHUFFLE, REPEAT, REPEAT ALL and SCAN. 2 BASS switches the bass enhancement on and off. 3 PLAY switches the player on, starts or pauses CD play. 4 STOP stops CD play, clears a program or switches the player off. 5 DISPLAY. 6 SKIP BACK skips and searches backward. 7 SKIP FORWARD skips and searches forward. 8 OPEN opens the CD compartment lid. 9 VOLUME adjusts the volume. 10 LINE OUT 3.5 mm headphone jack. 11 OFF HOLD off. 12 PROGRAM locks all buttons. 13 PROGRAM programs tracks. 14 4.5V DC jack for external power supply. 15 TYPEPLATE. 16 BATTERY COMPARTMENT.

CAUTION Use of controls or adjustments or performance of procedures other than herein may result in hazardous radiation exposure.

BATTERIES (supplied or optionally available) With this player you can use either: normal batteries type LR6, UM3 or AA, alkaline batteries type LR6, UM3 or AA.

Notes: Old and new or different types of batteries should not be combined. Inserting batteries: Open the battery compartment and insert either 2 normal or alkaline batteries.

Battery indication: If the battery icon is shown, the batteries are empty.

Batteries contain chemical substances, so they should be disposed of properly.

POWER ADAPTER (supplied or optionally available) Use only 4.5 V / 300 mA adapter (positive pole to the center pin).

HEADPHONES AY 3640 Connect the supplied headphones to the LINE OUT jack.

Use your head when using headphones Hearing safety: Do not play your headphones at a high volume.

Both the model number and production number are located on the bottom of the set.

PLAYING A CD

This CD player can play all kinds of Audio Discs such as CD-Recordables and CD-Rewritables.

- 1 Push OPEN to open the CD compartment lid. 2 Insert an audio CD, printed side up, by pressing the CD center onto the hub. 3 Press PLAY to switch the player on and start CD playback.

You can pause playback by pressing PAUSE. The time where playback was paused will flash.

Continue playback by pressing PAUSE again. Press STOP to stop playback.

Press PAUSE again to switch off the player. To remove the CD, hold it by its edge and press the hub gently while lifting the CD.

Note: If there is no activity, the unit will automatically switch off after a while to save energy.

PLAYBACK INFORMATION

- If a CD-Recordable (CD-R) or a CD-Rewritable (CD-RW) is not recorded properly, the CD is displayed. If you want to play a CD-Rewritable (CD-RW), it takes 3-15 seconds for sound reproduction to start once you have pressed PLAY. Playback will stop if you open the CD lid. While the CD is being read, the CD icon flashes in the display.

VOLUME AND BASS

Volume adjustment Adjust the volume by using VOLUME. Bass adjustment Press BASS to switch the bass enhancement on or off.

BASS is shown if the bass enhancement is activated.

SELECTING A TRACK AND SEARCHING

Selecting a track during playback Briefly press SKIP BACK or SKIP FORWARD once or several times to skip to the beginning of the current, previous or next track.

Selecting a track when playback is stopped Briefly press SKIP BACK or SKIP FORWARD once or several times. The selected track number is displayed.

Press PLAY to start CD play. Playback starts with the selected track.

Searching for a passage during playback Keep SKIP BACK or SKIP FORWARD pressed to find a particular passage in a backward or forward direction.

Release the button when you reach the desired passage. Normal playback continues from this position.

Note: During SHUFFLE, REPEAT or while playing a program, searching is only possible within the particular track.

PROGRAMMING TRACK NUMBERS

You can select up to 20 tracks to play in a program. A single track may be played more than once in the program.

Press PROGRAM to store the track. PROGRAM flash, SKIP BACK or SKIP FORWARD to select desired track. When desired track is displayed, press PROGRAM button to confirm.

Select and store all desired tracks in this way. Press PLAY to start playback of your selected tracks.

Note: If you try to store more than 20 tracks, the display will show program number 01 again.

Clearing the program While playback, press CLEAR to clear program.

Notes: The program also will be cleared if you interrupt the power supply, or open the CD compartment lid, or if the unit switches off automatically.

ESP

With a conventional portable CD-player you might have experienced that the music stopped e.g. when you were jogging. The ELECTRONIC SKIP PROTECTION prevents loss of sound caused by light vibrations and shocks.

HOLD You can lock the keys of the unit. When a key is then pressed, no action will be executed.

Switch the slider to HOLD to activate HOLD. All keys are locked. HOLD is displayed.

To deactivate HOLD, switch the slider to OFF.

MODE

It is possible to play tracks in random order, to repeat a track or the entire CD, and to play the first few seconds of each track.

Press MODE during playback as often as necessary until the display shows either: REPEAT. The current track is played repeatedly. SCAN. The first 10 seconds of each of the remaining tracks are played in sequence.

For REPEAT and REPEAT ALL, playback starts in the chosen mode after 2 seconds.

For SCAN and SHUFFLE, playback starts in the chosen mode after SKIP BACK or SKIP FORWARD is being pressed.

TROUBLESHOOTING

WARNING: Under no circumstances should you try to repair the set yourself as this will invalidate the warranty.

The CD player has no power, or playback does not start Check that your batteries are not dead or empty, that they are inserted correctly, that the contact pins are clean.

The indication of S.C. is displayed CD-RW (CD-R) was not recorded properly. Use FINALIZE on your CD-recorder.

The indication HOLD is on and/or there is no reaction to controls If HOLD is activated, then deactivate it. Electrostatic discharge. Disconnect power or remove batteries for a few seconds.

No sound or bad sound quality PAUSE might be active. Press PLAY. Loose, wrong or dirty connections. Check and clean connections.

Volume might not be appropriately adjusted. Adjust the volume. Strong magnetic fields. Check player's position and connections.

NOTES

Free Manuals Download Website

<http://myh66.com>

<http://usermanuals.us>

<http://www.somanuals.com>

<http://www.4manuals.cc>

<http://www.manual-lib.com>

<http://www.404manual.com>

<http://www.luxmanual.com>

<http://aubethermostatmanual.com>

Golf course search by state

<http://golfingnear.com>

Email search by domain

<http://emailbydomain.com>

Auto manuals search

<http://auto.somanuals.com>

TV manuals search

<http://tv.somanuals.com>