

# PHILIPS MAGNAVOX

## Video Cassette Recorder

### VRX344AT



# Owner's Manual

**IMPORTANT!**

Return Your Warranty Registration Card  
Within 10 Days. See Why Inside.

# Return your Warranty Registration card today to ensure you receive all the benefits you're entitled to.

Once your PHILIPS MAGNAVOX purchase is registered, you're eligible to receive all the privileges of owning a PHILIPS MAGNAVOX product. So complete and return the Warranty Registration Card enclosed with your purchase at once. And take advantage of these important benefits.

## Warranty Verification

Registering your product within 10 days confirms your right to maximum protection under the terms and conditions of your PHILIPS MAGNAVOX warranty.

## Owner Confirmation

Your completed Warranty Registration Card serves as verification of ownership in the event of product theft or loss.

## Model Registration

Returning your Warranty Registration Card right away guarantees you'll receive all the information and special offers which you qualify for as the owner of your model.

## PHILIPS MAGNAVOX

Congratulations on your purchase, and welcome to the "family!"

### Dear PHILIPS MAGNAVOX product owner:

Thank you for your confidence in PHILIPS MAGNAVOX. You've selected one of the best-built, best-backed products available today. And we'll do everything in our power to keep you happy with your purchase for many years to come.

As a member of the PHILIPS MAGNAVOX "family," you're entitled to protection by one of the most comprehensive warranties and outstanding service networks in the industry.

What's more, your purchase guarantees you'll receive all the information and special offers for which you qualify, plus easy access to accessories from our convenient home shopping network.

And most importantly you can count on our uncompromising commitment to your total satisfaction.

All of this is our way of saying welcome-and thanks for investing in a PHILIPS MAGNAVOX product.

Sincerely,



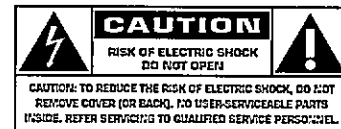
Robert Minkhorst  
President and Chief Executive Officer


**P.S. Remember, to get the most from your PHILIPS MAGNAVOX product, you must return your Warranty Registration Card within 10 days. So please mail it to us right now!**




Know these

## safety symbols



 This "bolt of lightning" indicates uninsulated material within your unit may cause an electrical shock. For the safety of everyone in your household, please do not remove product covering.

 The "exclamation point" calls attention to features for which you should read the enclosed literature closely to prevent operating and maintenance problems.

**WARNING:** TO PREVENT FIRE OR SHOCK HAZARD, DO NOT EXPOSE THIS EQUIPMENT TO RAIN OR MOISTURE.

**CAUTION:** To prevent electric shock, match wide blade of plug to wide slot, and fully insert.

**ATTENTION:** Pour éviter les chocs électriques, introduire la lame la plus large de la fiche dans la borne correspondante de la prise et pousser jusqu'au fond.

### For Customer Use

Enter below the Serial No. which is located on the rear of the cabinet. Retain this information for future reference.

Model No. \_\_\_\_\_  
Serial No. \_\_\_\_\_

**PHILIPS MAGNAVOX** Visit our World Wide Web Site at <http://www.magnavox.com>

### Welcome to your VCR owner's manual.

This manual has six sections: Setting Up Your VCR; Description of Controls; Basic Operations; Recording; Playing; and Information You May Need. The instructions explain all of the VCR's features, which are listed below. You cannot hurt your VCR by trying the features! So read on – and relax.

### Features

- HQ (High Quality) System
- Automatic Channel Programming
- On-Screen Displays in English or Spanish
- Display Panel
- Automatic Tracking Adjustment
- One Touch Recording
- Unattended (Timer) Recording
- Special Effects Playback: Forward and Reverse Searching; Still; Slow Motion
- Remote Control With Capability to Operate TV, Cable Box, and Digital Satellite System
- Repeat Playback
- Automatic Operation Features
- Real Time Counter
- Daylight-Saving Time
- The VCR Plus+ Programming System
- Time Search Function
- Automatic Head Cleaner
- Automatic Clock Setting
- Jog & Shuttle Control

### Safety Precautions

**Warning:** To prevent fire or shock hazard, do not expose this equipment to rain or moisture.

**FCC Warning:** Any unauthorized changes or modifications to this equipment void the user's authority to operate it.

This VCR, equipped with a HQ (High Quality) system, is compatible with existing VHS (video home system) equipment. Philips Consumer Electronics Company recommends that you use only video cassette tapes that have been tested and inspected for use in two, four, six, and eight hour VCRs, and which are labeled with the **VHS** mark. The use of tapes that have not been inspected for use in two, four, six, and eight hour VCRs may result in poor picture quality and excessive deposits on the video heads, which may not be covered by the warranty if damage occurs.

**Note to the Cable TV System Installer:** This reminder is provided to call the Cable TV system installer's attention to Article 820-40 of the National Electrical Code, which provides guidelines for proper grounding – in particular, specifying that the cable ground shall be connected to the grounding system of the building, as close to the point of cable entry as possible.

Copyright 1997 Philips Consumer Electronics Company. All rights reserved. VCR Plus+ and PlusCode are trademarks of Gemstar Development Corporation. The VCR Plus+ system is manufactured under license from Gemstar Development Corporation.

### Helpful Hint

- Before doing anything else, record the VCR's model and serial numbers in the spaces provided on page two. These numbers will help us assist you if you ever call for help.

## 4 Table of Contents

---

### Setting Up Your VCR

Introduction .....	3
Table of Contents .....	4
Before Using Your VCR .....	5
Hookups Without a Cable Box .....	6-7
Hookups With a Cable Box/Digital Satellite System .....	8-9
Hookups With a Stereo TV .....	10
Turning on Your VCR .....	11
Channel Memory .....	12-13
Setting the Clock .....	14-17
Daylight-Saving Time Selection .....	18
Language Selection .....	19
Setting the Remote to Operate a TV .....	20
Setting the Remote to Operate a Cable Box/Digital Satellite System .....	21

### Description of Controls

Remote Control Buttons .....	22-24
VCR Display Panel .....	25
Front Panel .....	26-27
Rear Panel .....	28
On-Screen Status Displays .....	29

### Basic Operations

Playing .....	30
Recording .....	31

### Recording

Recording One Channel/Watching Another .....	32
One Touch Recording .....	33
Timer Recording .....	34-37
Setting Up the VCR Plus+ Programming System .....	38-39
Timer Recording With the VCR Plus+ Programming System .....	40-41
Rerecording (Tape Duplication) .....	42

### Playing

Repeat Playback .....	43
Time Search .....	44
Real Time Counter Memory .....	45
Special Effects Playback .....	46-47
Automatic Operation Features .....	48-49

### Information You May Need

Helpful Hints .....	50-51
Glossary .....	52
Specifications .....	53
Limited Warranty .....	54
Index .....	55
Supplied Accessories .....	56

## Before Using Your VCR 5

### Putting Batteries in the Remote Control

1

Remove the battery compartment lid on the bottom of the remote control by pressing in the tab, then lifting the lid.

2

Place two AA batteries inside the battery compartment with their polarities (+ and - ends) aligned as indicated.

3

Replace the battery compartment lid.

### Using the Remote Control

- Point the remote control at the VCR's remote sensor (see page 27) when using the remote control to operate the VCR. Point the remote control at the TV when using the remote control to operate the TV. Point the remote control at the Cable Box or Digital Satellite System when using the remote control to operate the Cable Box or Satellite System.
- Do not put objects between the remote control and the VCR.
- Before you use the remote control to operate your VCR, you must first press the VCR button.
- Before you use the remote control to operate your TV, you must first press the TV button.
- Before you use the remote control to operate your Cable Box or Digital Satellite System, you must first press the CBL/DSS button.

### Erasure Prevention

Video cassette tapes have record tabs to ensure that recordings are not accidentally erased.

1

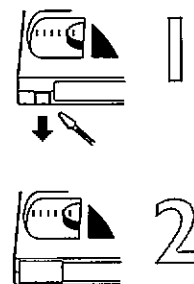
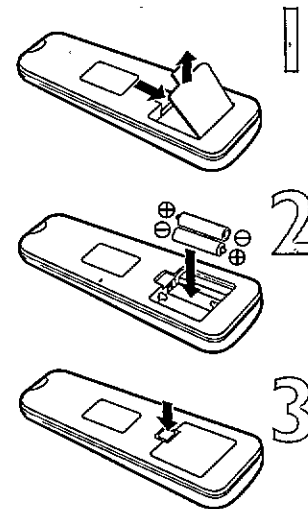
To prevent accidental erasure, break off the tab with a screwdriver.

2

To record again, cover the hole with cellophane tape.

### VCR maintenance

- In this VCR, use only tapes with the **VHS** mark.
- Make sure any light adhesive stick-on notes are removed from the video cassette tape before putting the tape in the VCR. Removable labels like these can jam the VCR.
- Periodic maintenance is required to maintain your VCR's excellent performance. This VCR has an Automatic Head Cleaner. However, the video heads will eventually require replacement, which should be performed only by an authorized service center.



### Helpful Hints

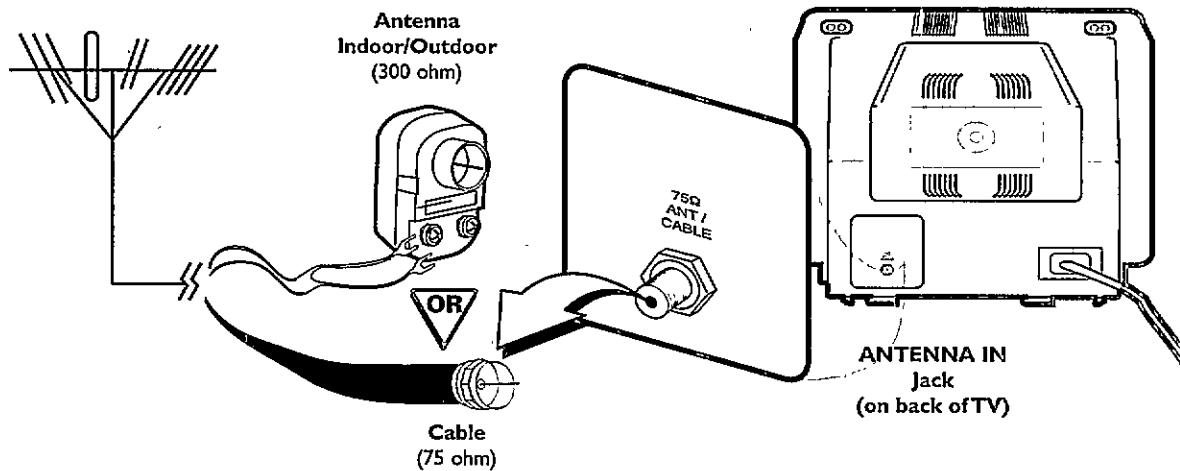
- The remote control and its batteries are supplied.
- Do not mix alkaline and manganese batteries.
- Do not mix old and new batteries.

## 6 Hookups Without a Cable Box

The basic VCR/TV connection – antenna/cable to VCR to TV – is shown below. If you have a Cable Box or a Digital Satellite System, please refer to pages eight-nine. If you have a Stereo TV, please go to page 10. After you hook up the VCR, please go to page 11 to turn on the VCR.

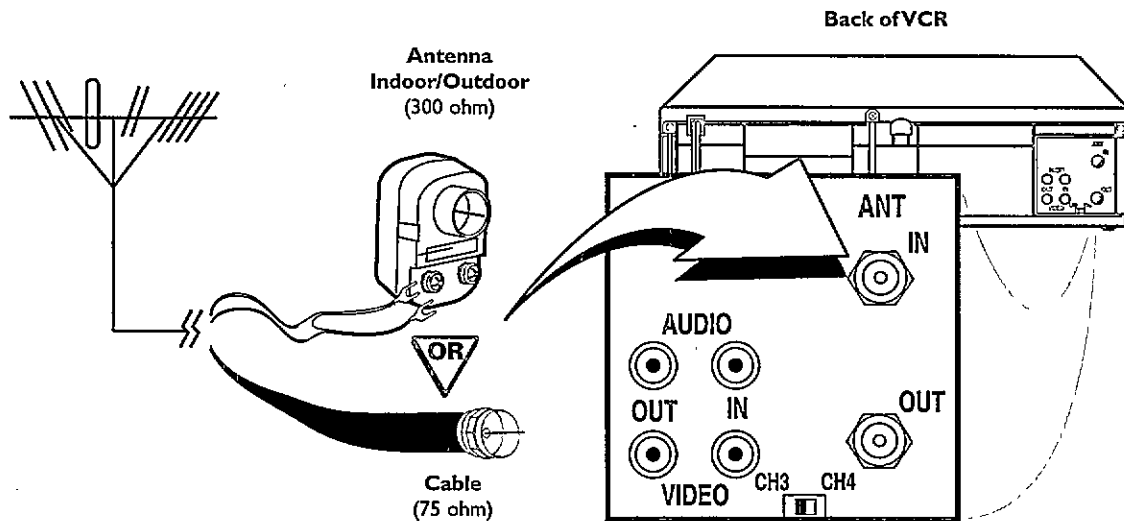
1

Disconnect the antenna or cable from your TV.



2

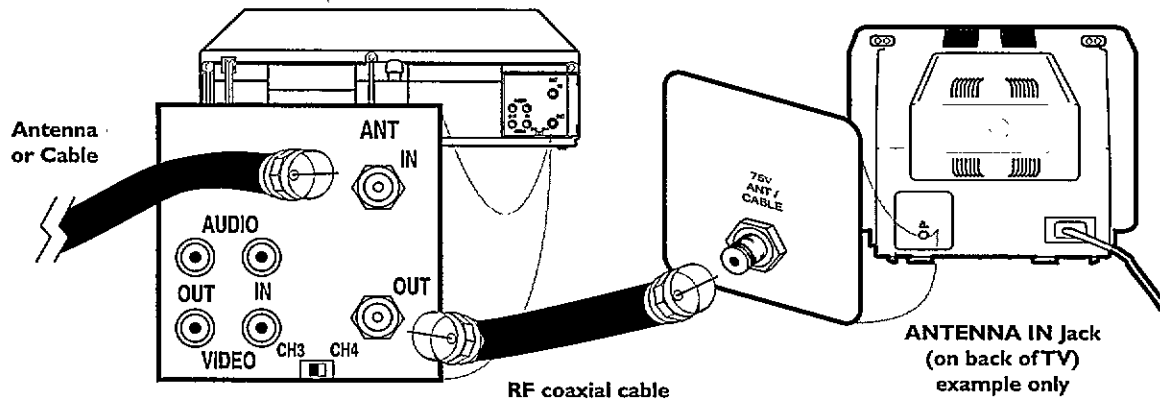
Connect the antenna or cable to the ANT(enna) IN Jack of your VCR.



## Hookups Without a Cable Box (cont'd) 7

3

Connect the RF coaxial cable (supplied) to the **OUT** Jack on the back of the **VCR** and to the **ANTENNA IN** Jack on the **TV**. (You may use either a snap-on type (supplied) or screw-on type of coaxial cable, whichever you prefer.)

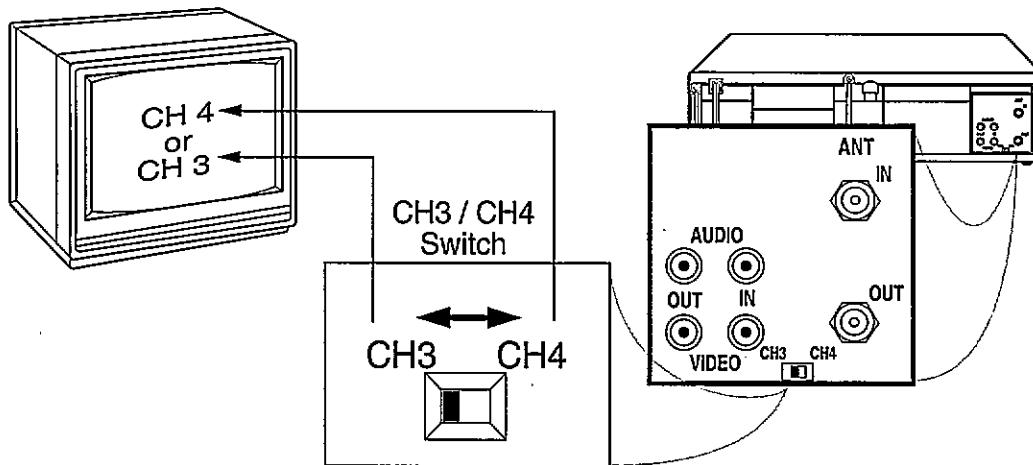


4

Plug in the TV and the VCR.

5

Set the **CH3/CH4** switch on the back of the **VCR** to **CH3** or **CH4**, whichever channel is not used or least used in your area. To operate your VCR with your TV, set the **TV** to the same channel. For example, when playing a tape, if the CH3/CH4 switch is set to CH3, the TV should be on channel 3.

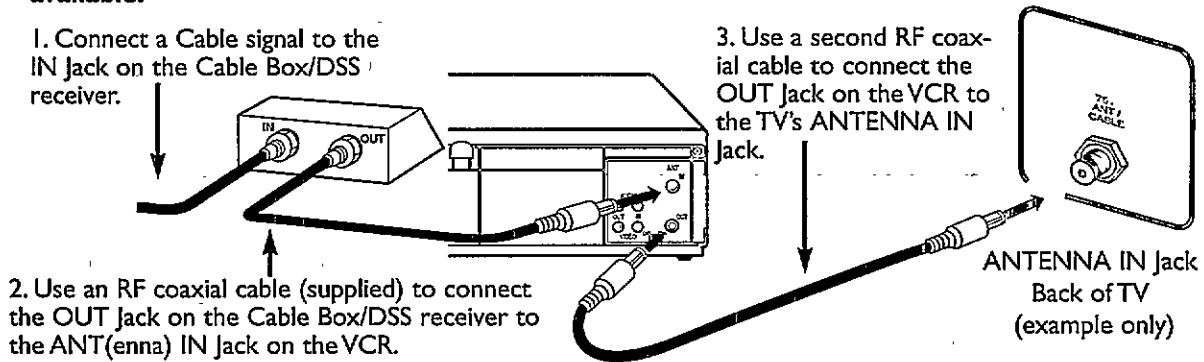


6

You are ready to turn on the VCR. Please go to page 11 before turning on the VCR.

## 8 Hookups With a Cable Box/Digital Satellite System

This connection allows you to view any channel. After you connect the Cable Box/Digital Satellite System, VCR, and TV as shown below, the features described on this page will be available.



### Recording/Viewing Any Channel

1  
With the VCR on and in VCR position (the VCR light will appear on the display panel), use the **CHANNEL (Up/Down)** buttons or the **Number** buttons to set the VCR to the Cable Box/DSS Receiver output channel (channel 03 or 04).

2

Set the TV to the same channel to which you set the VCR.

3

Select the channel you want to watch or record at the Cable Box/DSS Receiver.

### Watching TV With the VCR Off

1  
Use the TV channel selector to set the TV to the Cable Box/DSS Receiver output channel (channel 3 or 4).

2

Select the channel you want to watch at the Cable Box/DSS Receiver.

### Timer Recordings

With this connection, you may set a timer recording as described on pages 34-37. However, you must remember the following:

- You can only program a timer recording for one channel at a time.
- Set the TV and the VCR to the Cable Box/DSS Receiver output channel (channel 03 or 04).
- When you are prompted to enter the channel you want to record, select channel 03 or 04 (the Cable Box/DSS Receiver output channel). (This is step 5 on page 35.)
- Set your Cable Box/DSS Receiver to the channel you want to record.
- Leave the Cable Box/DSS Receiver on while you are recording.

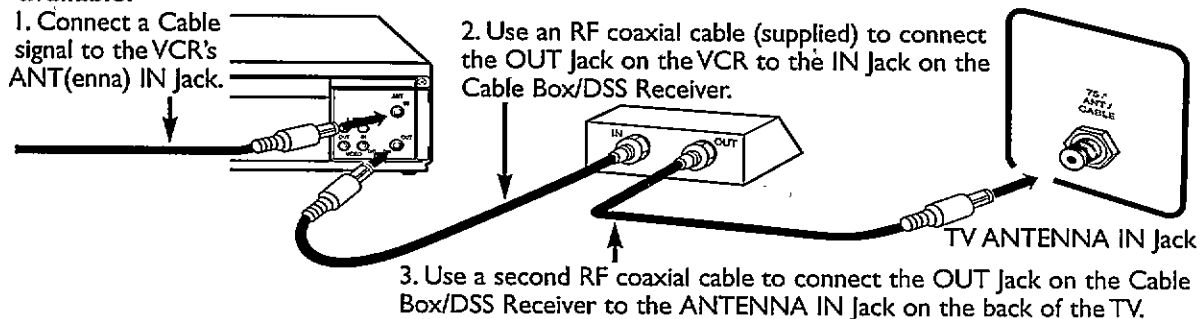
### Helpful Hints

- With this hookup, channels cannot be changed at the VCR. You must select channels at the Cable Box/DSS Receiver.
- You can not view a channel other than the one you are recording (the instructions on page 32 do not work with this hookup).
- You cannot program channels with this hookup (as discussed on page 12).



## Hookups With a Cable Box/Digital Satellite System (cont'd) 9

This connection allows you to program an unattended recording of more than one unscrambled channel and to watch one channel while recording another. After you connect the VCR, Cable Box/Digital Satellite System, and TV as shown below, the features on this page will be available.



### Recording One Channel/Watching Another

1

Put the Cable Box/DSS Receiver on the same channel as the VCR's CH3/CH4 switch. Put the TV on the same channel. With the VCR in VCR position (the VCR light will appear on the display panel), use the CHANNEL (Up/Down) buttons at the VCR to select the channel you want to record. **Start the recording.**

2

Press the **VCR/TV** button once to put the VCR in TV position. (The VCR light will disappear.)

3

Use the TV channel selector to put the TV on the Cable Box/DSS Receiver output channel (channel 03 or 04).

4

Select the channel you want to watch at the Cable Box/DSS Receiver.

### Playing a Tape

1

Press the **VCR/TV** button to put the VCR in VCR position (the VCR light will appear on the display panel).

2

Make sure the Cable Box/DSS Receiver is on the same channel as the VCR's CH3/CH4 switch.

3

Use the TV channel selector to put the TV on the same channel.

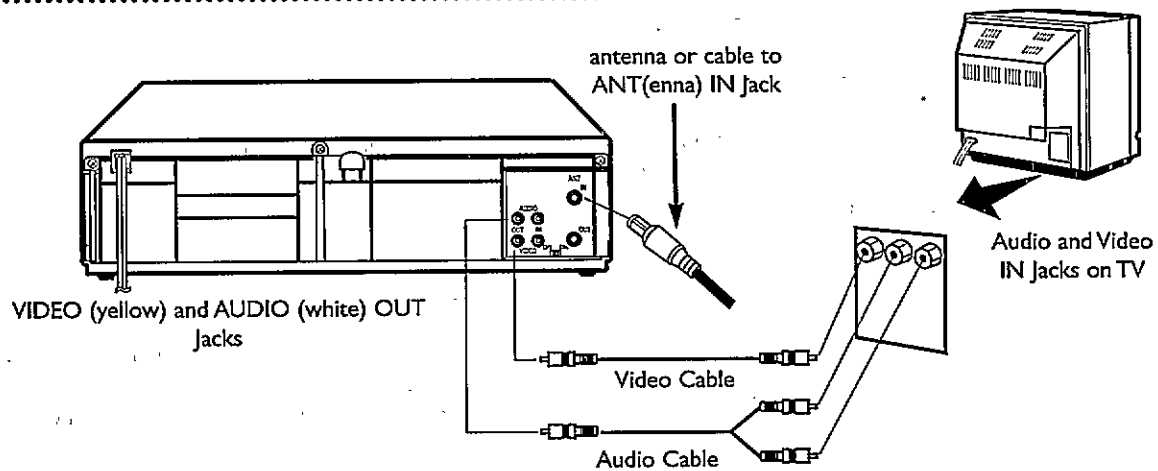
4

Press the **PLAY** button to play the tape.

#### Helpful Hint

- You cannot record scrambled channels with this connection.

## 10 Hookups With a Stereo TV



○ Audio and Video cables are not supplied.

1

Connect the antenna or cable to the **ANT(enna) IN Jack** on the back of the **VCR**.

2

Connect a video cable to the yellow **VIDEO OUT Jack** on the back of the **VCR**. Then, connect the other end of the video cable to the **VIDEO IN Jack** on your **TV**.

3

Connect an audio cable to the white **AUDIO OUT Jack** on the back of the **VCR**. Then, connect the other end of the audio cable to the **AUDIO IN Jack** on your **TV**.

4

Turn on your **TV**, making sure it is in Line Input mode. Please refer to your TV owner's manual for details.

### Helpful Hint

- This hookup will not give you stereo sound. To get stereo sound, use the connections on pages six - seven and select the channel to be viewed at the TV (with the VCR turned off).

## Turning on Your VCR 11

Before turning on your VCR, make sure there are batteries in the remote control and the VCR and TV are connected correctly.

- Follow the steps on this page only when you plug the VCR power cord into the wall outlet for the first time.
- You may not be able to program channels at step 5 if you are using a Cable Box.

1

Press the **VCR** button, then the **POWER** button. The VCR light and the PWR. (power) light will appear on the display panel.

2

Turn on the TV at the TV. Set it to the same channel as the CH3/CH4 switch on the back of the VCR. The language select display screen shown below will appear. (If the display does not appear, check your hookups, then follow the steps on page 12 to program channels and page 19 to select a language.)

TO SELECT PUSH NO. SHOWN  
1 ENGLISH ON  
2 ESPAÑOL

MAKE SELECTION OR  
PUSH MENU TO CONTINUE

3

Press the **Number 1** button to select English on-screen displays. ON will appear to the right of ENGLISH on-screen. Or, press the **Number 2** button for Spanish on-screen displays. SI will appear to the right of ESPAÑOL on-screen.

4

Press the **MENU** button. The channel program display shown below will appear. The display will disappear after about 60 seconds if you do not press any buttons.

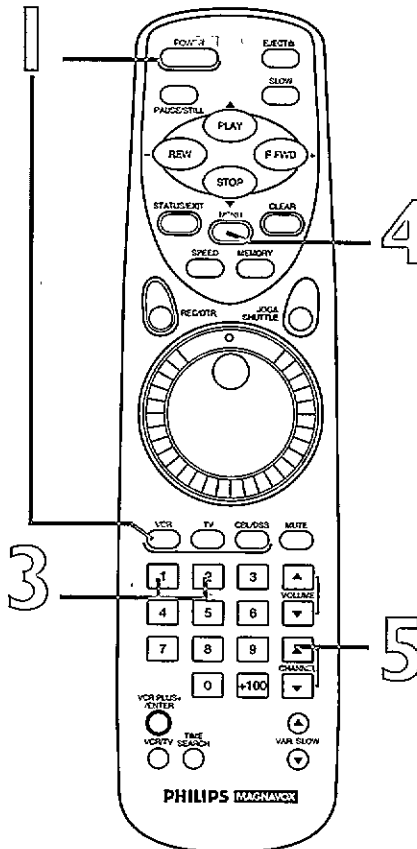
CONNECT ANTENNA OR CABLE  
TO VCR  
THEN . . .  
PUSH CH UP KEY

OR . . .  
FOR PLAY ONLY - PUSH STOP

5

Press the **CHANNEL (Up)** button to begin automatic channel programming. AUTO SET PROCEEDING PLEASE WAIT will appear on-screen. The VCR will place all of the channels you receive into its memory, so when you scan through channels using the CHANNEL (Up/Down) buttons, you'll only scan through channels that you receive. When all channels are programmed, CHANNELS ARE SET will appear on-screen briefly. Then the TV will go to the lowest channel programmed.

2 Turn on the TV.



### Helpful Hints

- To skip this feature and play a tape immediately, insert a tape with its record tab removed. Or, to skip step 3, press the MENU button. All on-screen displays will be in English. To skip step 5, press the STOP button. Channels will not be programmed, and CHANNELS NOT SET will appear on-screen.
- If you try to program channels when there is no antenna or cable connected to the VCR, programming will appear to take place, but eventually a NO TV SIGNALS message will appear on-screen. Connect an antenna or cable to the VCR's ANT(enna) IN Jack and try again. You may need to follow the steps on page 12.
- When the clock is not set, -- :-- will appear on the display panel.

# 12 Channel Memory

## Programming Channels

Although your VCR may automatically memorize the channels you receive when you turn it on for the first time, this function lets you reprogram channels.

1

Press the **VCR** button.

2

Press the **MENU** button to bring up the main menu display.

TO SELECT PUSH NO. SHOWN

- 1 PROGRAM
- 2 VCR SET UP
- 3 TUNER SET UP
- 4 SET CLOCK

TO END PUSH EXIT

3

Press the **Number 3** button to select **TUNER SET UP**.

TO SELECT PUSH NO. SHOWN

- 1 TV
- 2 CABLETV ON
- 3 AUTO PROGRAMMING
- 4 ADD/DELETE CH
- 5 CH MEMORY REVIEW

TO END PUSH EXIT

4

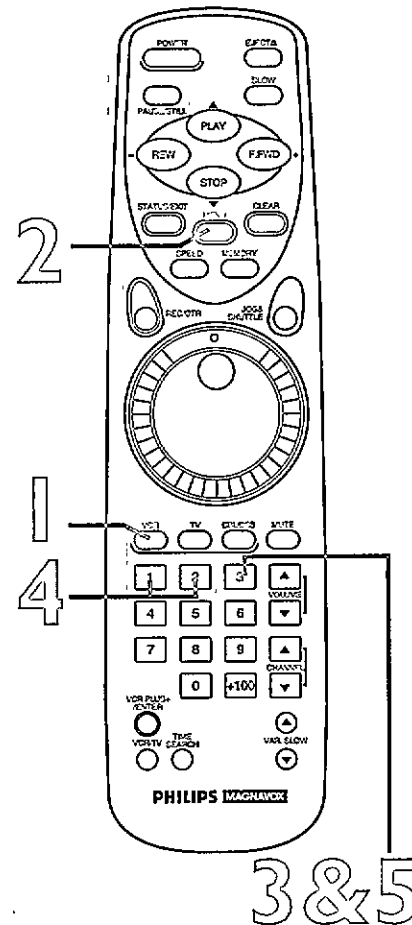
Press the **Number 1** button to select **TV** (if you have an antenna) or the **Number 2** button to select **CABLE TV** (if you have a cable connection). **ON** will appear to the right of your choice.

5

Press the **Number 3** button to select **AUTO PROGRAMMING**. **MEMORIZED CHANNEL / PLEASE WAIT** will appear on-screen. The VCR will place all the channels you receive into its memory.

6

Wait for a few minutes while the **VCR** programs channels. When programming is complete, **CHANNELS ARE SET** will appear on-screen. Then the programming of the lowest channel number placed in the VCR's memory will appear on-screen. Now when you press the **CHANNEL (Up/Down)** buttons, you will scan only through channels you receive.



### Helpful Hints

- You can not enter the **TUNER SET UP** menu when you are in **Line Input** mode.
- **Line Input** mode will always be stored in the VCR's memory as channel **001** or **002**. When you select channel **001** or **002** with the **CHANNEL (Up/Down)** buttons or the **Number** buttons, **AV REAR** or **AV FRONT** will appear on the screen briefly.
- You may not be able to program channels if you are using a **Cable Box/DSS Receiver**. See pages eight-nine for details.
- To switch between **TV** and **CABLE TV** selection, repeat the steps on this page.

## Adding/Deleting Channels

1

Press the **VCR** button.

2

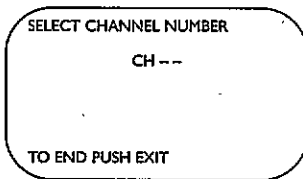
Press the **MENU** button to bring up the main menu display.

3

Press the **Number 3** button to select TUNER SET UP.

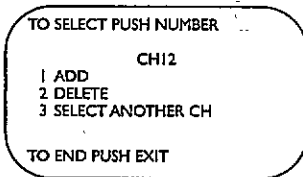
4

Press the **Number 4** button to select ADD/DELETE CH.



5

Use the **Number** buttons to enter the channel number.

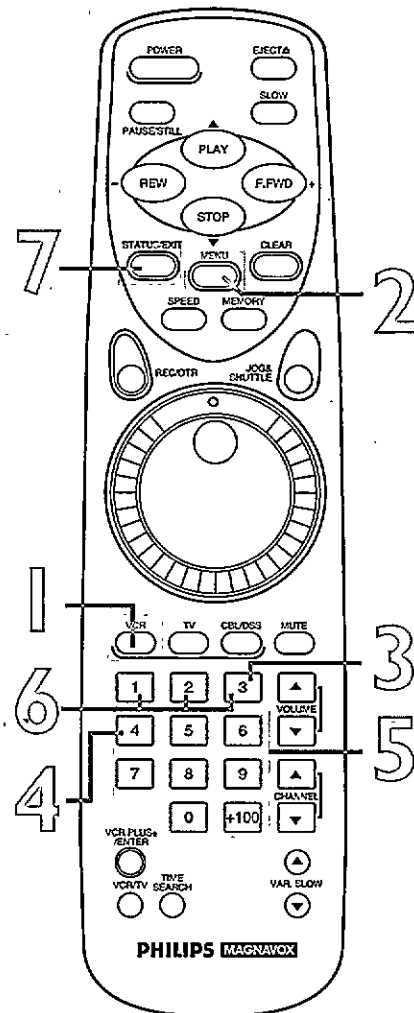


6

Press the **Number 1** button to add that channel or the **Number 2** button to delete that channel. Or, press the **Number 3** button to leave that channel unchanged and select another channel. If you do not make a choice within five seconds, you will return to the previous menu display.

7

Press the **STATUS/EXIT** button to exit.



## Reviewing Programmed Channels

1. Press the **VCR** button.
2. Press the **MENU** button to bring up the main menu display.
3. Press the **Number 3** button to select TUNER SET UP.
4. Press the **Number 5** button to select CH MEMORY REVIEW. A list of programmed channels will appear on-screen.
  - If all the programmed channels don't fit on the screen, press the **Number 1** button to see the remaining channels. Then press the **Number 2** button to return to the first screen of channels.
  - If you do not press any buttons within 10 seconds, you will either go to the next screen of channels or return to the previous menu display.
5. Press the **STATUS/EXIT** button once or twice to exit.

# 14 Setting the Clock

There are two ways to set the clock. With manual clock setting, you tell the VCR the current time. With automatic clock setting, the VCR gets the current time from your local PBS station. It keeps track of the time by constantly referring to the time broadcasted by your PBS station.

**If you are using a Cable Box or Digital Satellite System, you must set the clock manually.**

Follow the instructions under either manual clock setting or automatic clock setting (page 16) to set the VCR's clock. Before you begin, make sure:

- The VCR is hooked up and turned on, and channels are programmed into the VCR's memory (see pages six - 12).
- The VCR is in VCR position. (The VCR light will appear on the display panel. If it does not, press the VCR/TV button once.)
- You make each entry within 60 seconds of the previous entry. (If you do not, you may start again at step 1.)

## Manual Clock Setting

1

Press the **VCR** button.

2

Press the **MENU** button to bring up the main menu display.

TO SELECT PUSH NO. SHOWN

- 1 PROGRAM
- 2 VCR SET UP
- 3 TUNER SET UP
- 4 SET CLOCK

TO END PUSH EXIT

3

Press the **Number 4** button to select SET CLOCK.

SET CLOCK

- 1 AUTO CLOCK [ON]
- 2 SET MANUAL CLOCK
- 3 DAYLIGHT SVG TIME [ON]
- 4 SET TIME ZONE (AUTO)

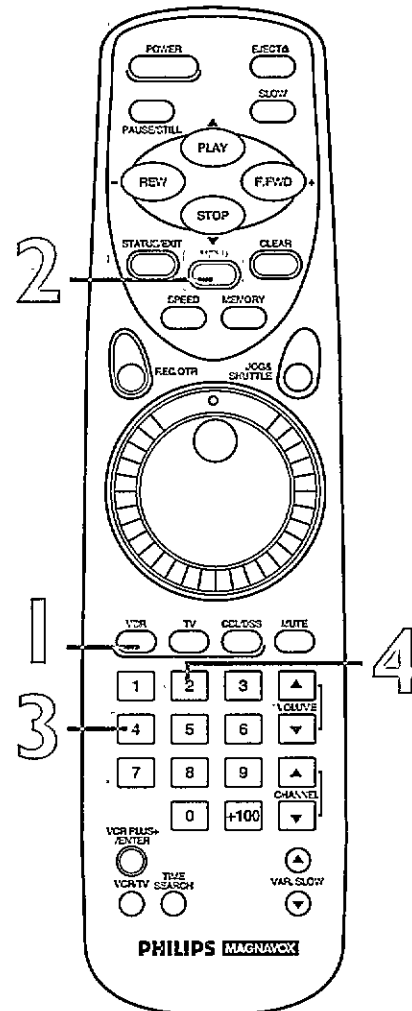
CABLE BOX USERS  
SET CLOCK MANUALLY  
TO SELECT PUSH NO. SHOWN  
TO END PUSH EXIT

4

Press the **Number 2** button to select SET MANUAL CLOCK.

TIME ---:--  
DATE ---/---/---

TO END PUSH EXIT



### Helpful Hints

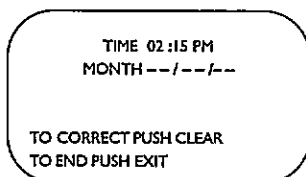
- To display the time on-screen, press the **STATUS/EXIT** button. A status display, which includes the time, will appear on the TV screen for about five seconds. For details, see "On-Screen Status Displays" on page 29.
- If you press the **STATUS/EXIT** button while you are setting the clock, the TV screen will return to the program you were watching. If this happens, start over.
- Power failures that last for more than one minute can cause you to lose your clock setting if you set the clock manually. If this happens, reset the clock.
- If the clock is not set, ---:-- will appear on the display panel. The time will appear on the display panel when the clock is set.

## Setting the Clock (cont'd) 15

# 5

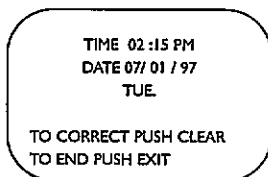
Press two Number buttons for the hour(s) and two Number buttons for the minute(s). Then press 1 for AM or 2 for PM. For example, for 2:15 PM, press 02, 15, 2.

- Enter a 0 before a single digit number.
- Entries that do not match the VCR's internal calendar will cause a question mark (?) to appear on-screen.
- To make corrections, press the CLEAR button until the space for the number you want to correct is flashing. Then enter the correct number.



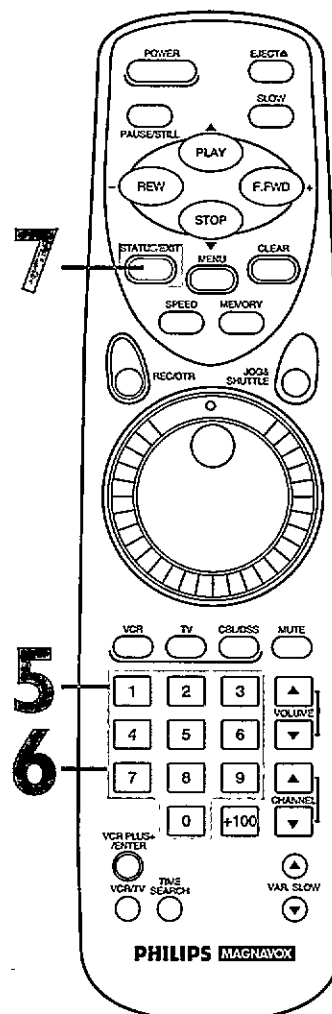
# 6

Press two Number buttons for the month, two Number buttons for the day, and two Number buttons for the year. For example, for July 1, 1997, press 07, 01, 97. The day of the week will appear automatically.



# 7

Press the STATUS/EXIT button to start the clock. The screen will return to the program you were watching. The time will appear on the VCR display panel.



## 16 Setting the Clock (cont'd)

### Automatic Clock Setting

1

Press the **VCR** button, then press the **MENU** button to bring up the main menu display.

TO SELECT PUSH NO. SHOWN

- 1 PROGRAM
- 2 VCR SET UP
- 3 TUNER SET UP
- 4 SET CLOCK

TO END PUSH EXIT

2

Press the **Number 4** button to select **SET CLOCK**.

- SET CLOCK
- 1 AUTO CLOCK [ON]
  - 2 SET MANUAL CLOCK
  - 3 DAYLIGHT SVG TIME [ON]
  - 4 SET TIME ZONE

(AUTO)  
CABLE BOX USERS  
SET CLOCK MANUALLY  
TO SELECT PUSH NO. SHOWN  
TO END PUSH EXIT

3

If **OFF** appears to the right of **AUTO CLOCK**, press the **Number 1** button once. A new display screen will appear. Go to step 4. Or, if **ON** appears to the right of **AUTO CLOCK**, press the **Number 1** button twice. A new display screen will appear. Go to step 4.

4

- If you want the **VCR** to locate a local **PBS** station from which to take the time, press the **Number 1** button to select **SET PBS CH. AUTO**. When the current time appears on-screen, you're finished. Press the **STATUS/EXIT** button to exit. Or, you may be prompted to turn off the **VCR**. Press the **STATUS/EXIT** button, then go to step 5.

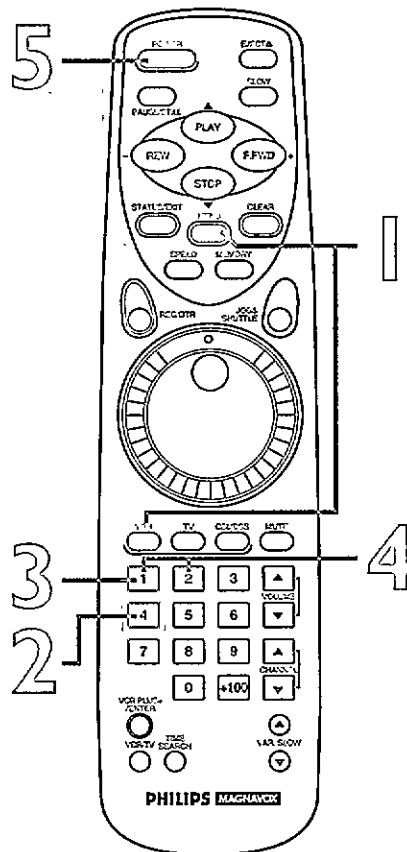
*NOTE: CANNOT FIND PBS CLOCK DATA may flash on-screen. In this case, tell the VCR the PBS station from which to take the time.*

- If you want to tell the **VCR** the **PBS** station from which to take the time, press the **Number 2** button to select **SET PBS CH. MANUAL**, then use the **Number** buttons to enter the channel number of the desired **PBS** station. When the current time appears on-screen, you're finished. Press the **STATUS/EXIT** button to exit.

*NOTE: CANNOT FIND PBS CLOCK DATA may flash on-screen. In this case, press the Number 1 button to choose SELECT NEW PBS CH., then use the Number buttons to enter the channel number of another PBS station. Or, press the Number 2 button to select SET PBS CH. AUTO. Press the STATUS/EXIT button, then go to step 5.*

5

Turn off the **VCR** power, and leave it off for several minutes. When the current time appears on the **VCR** display panel, the clock is set. You may turn on the **VCR** again.



### Helpful Hints

#### For Automatic Clock Setting

- If you enter an incorrect **PBS** channel number at step 4, press the **CLEAR** button, then enter the correct channel number.
- If you have an antenna, you may select channels 2 - 69 at step 4. If you have a cable connection, you may select channels 1 - 125.
- If you select **SET PBS CH. AUTO** at step 4, you cannot manually select the **PBS** channel from which you want the **VCR** to take the time.
- The clock cannot be set automatically if you don't receive a channel that carries a time signal in your area. Set the clock manually.
- If there are only a few channels in your area that carry time signals, setting the clock automatically may take several minutes. If nothing happens even after you wait several minutes, set the clock manually.
- You cannot select **AUTO CLOCK** at step 3 during tape playback.



## Setting the Clock (cont'd) 17

### Time Zone

When using the AUTO CLOCK function, you can specify a time zone in which a local PBS channel is located. That way, the VCR will update the clock according to your time zone.

1

Press the **VCR** button, then press the **MENU** button to bring up the main menu display.

TO SELECT PUSH NO. SHOWN

- 1 PROGRAM
- 2 VCR SET UP
- 3 TUNER SET UP
- 4 SET CLOCK

TO END PUSH EXIT

2

Press the **Number 4** button to select SET CLOCK.

SET CLOCK  
1 AUTO CLOCK [ON]  
2 SET MANUAL CLOCK  
3 DAYLIGHT SVG TIME [ON]  
4 SET TIME ZONE (AUTO)  
CABLE BOX USERS  
SET CLOCK MANUALLY  
TO SELECT PUSH NO. SHOWN  
TO END PUSH EXIT

3

Press the **Number 4** button to select SET TIME ZONE.

TO SELECT PUSH NO. SHOWN ON  
1 AUTO  
2 ATLANTIC  
3 EASTERN  
4 CENTRAL  
5 MOUNTAIN  
6 PACIFIC  
7 ALASKA  
8 HAWAII  
TO CONTINUE PUSH MENU

4

Find your time zone, then press the **Number** button to select it. You will return to the previous menu. The time zone you selected will appear beneath SET TIME ZONE.

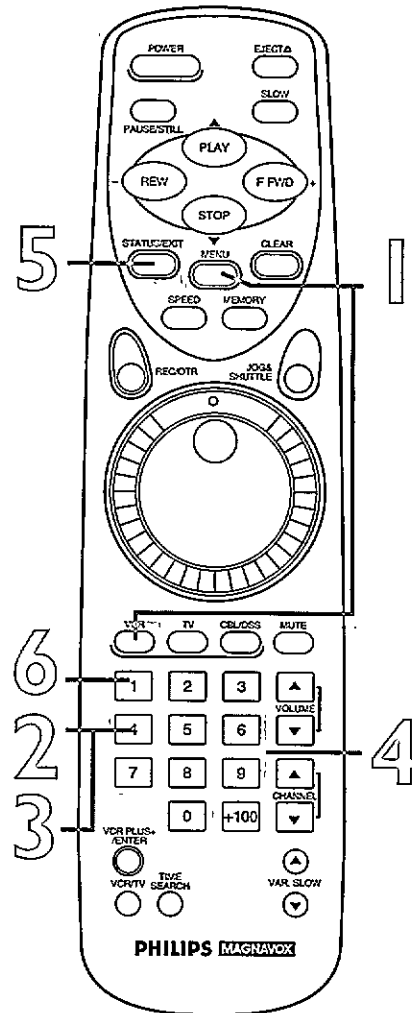
SET CLOCK  
1 AUTO CLOCK [ON]  
2 SET MANUAL CLOCK  
3 DAYLIGHT SVG TIME [ON]  
4 SET TIME ZONE (ATLANTIC)  
CABLE BOX USERS  
SET CLOCK MANUALLY  
TO SELECT PUSH NO. SHOWN  
TO END PUSH EXIT

5

Press the **STATUS/EXIT** button to exit. Or, to set the clock, go to step 6.

6

Press the **Number 1** button to select AUTO CLOCK. (See page 16 for details.)



# 18 Daylight-Saving Time Selection

## Daylight-Saving Time Selection

You may program the VCR so its clock will automatically move forward one hour in April and turn back one hour in October. Daylight-Saving Time is set to ON prior to shipment from the factory.

You may turn Daylight-Saving Time ON or OFF by following the steps below.

1

Press the **VCR** button.

2

With the clock set, press the **MENU** button to bring up the main menu display.

TO SELECT PUSH NO. SHOWN

- 1 PROGRAM
- 2 VCR SET UP
- 3 TUNER SET UP
- 4 SET CLOCK

TO END PUSH EXIT

3

Press the **Number 4** button to select SET CLOCK.

SET CLOCK  
1 AUTO CLOCK [ON]  
2 SET MANUAL CLOCK  
3 DAYLIGHT SVG TIME [ON]  
4 SET TIME ZONE (AUTO)  
CABLE BOX USERS  
SET CLOCK MANUALLY  
TO SELECT PUSH NO. SHOWN  
TO END PUSH EXIT

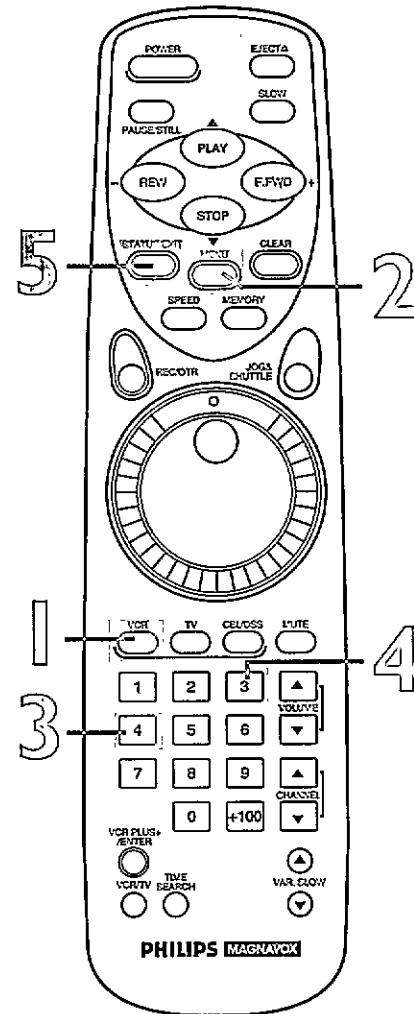
4

Press the **Number 3** button so that OFF (or ON) appears to the right of **DAYLIGHT SVG TIME**.

SET CLOCK  
1 AUTO CLOCK [ON]  
2 SET MANUAL CLOCK  
3 DAYLIGHT SVG TIME [OFF]  
4 SET TIME ZONE (AUTO)  
CABLE BOX USERS  
SET CLOCK MANUALLY  
TO SELECT PUSH NO. SHOWN  
TO END PUSH EXIT

5

Press the **STATUS/EXIT** button to exit.



# Language Selection 19

## Language Selection

Follow the steps below to change the language of the on-screen displays.

1

Press the **VCR** button.

2

Press the **MENU** button to bring up the main menu display.

TO SELECT PUSH NO. SHOWN

- 1 PROGRAM
- 2 VCR SET UP
- 3 TUNER SET UP
- 4 SET CLOCK

TO END PUSH EXIT

3

Press the **Number 2** button to select VCR SET UP.

TO SELECT PUSH NO. SHOWN

- 1 REPEAT PLAY OFF
- 2 ON SCREEN MODE
- 3 LANGUAGE
- 4 VCR PLUS+ REF. MAP

TO END PUSH EXIT

4

Press the **Number 3** button to select LANGUAGE.

TO SELECT PUSH NO. SHOWN

- 1 ENGLISH ON
- 2 ESPAÑOL

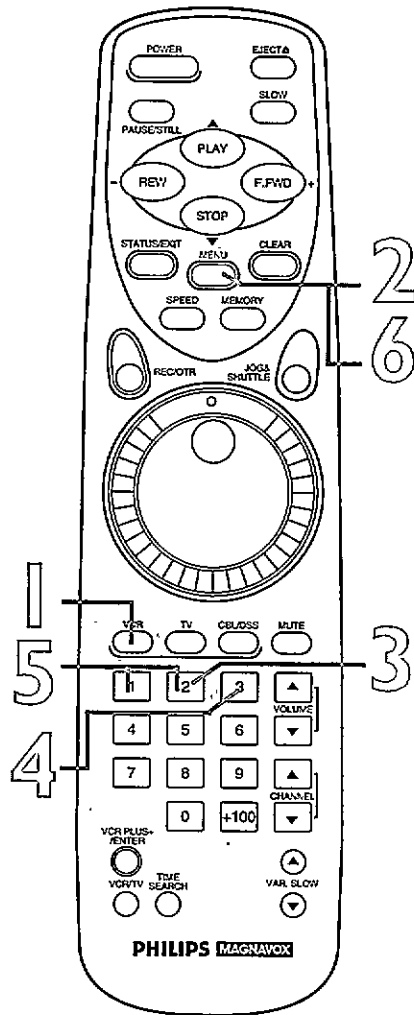
MAKE SELECTION OR  
PUSH MENU TO CONTINUE

5

Press the **Number 1** button if you want the on-screen displays in English. ON will appear to the right of ENGLISH on-screen. **Or**, press the **Number 2** button if you want the on-screen displays in Spanish. SI will appear to the right of ESPAÑOL on-screen.

6

Press the **MENU** button to exit.



### Helpful Hint

- If you accidentally select Spanish on-screen displays and need English on-screen displays:
  1. Press the VCR button.
  2. Press the MENU button.
  3. Press the Number 2 button to select PREPARE LA VCR.
  4. Press the Number 3 button to select LENGUAJE.
  5. Press the Number 1 button to select ENGLISH.
  6. Press the MENU button to exit.

## 20 Setting the Remote to Operate a TV

Your VCR remote control may operate your TV. If the remote control doesn't operate your TV now, follow the steps below to program your remote control.

1

Point the remote control at your TV and press the **TV** button. Then, press the **POWER** button. If your TV turns on or off, try the other TV buttons (see pages 22 - 24). If your TV doesn't turn on or off, or if the other buttons don't work, go to step 2.

2

Find the brand of your TV on the list below, and remember the two-digit number to the right of it.

TV CODES			
EMERSON	.....14	PHILCO	.....14
FISHER	.....11	PHILIPS	.....01
GE	.....10	PHILIPS MAGNAVOX	..01, 02, 03
GOLDSTAR	.....04	QUASAR	.....07
HITACHI	.....12	RCA	.....10
JVC	.....05	SAMSUNG	.....17
MAGNAVOX	.....01, 02, 03	SANYO	.....11
MARANTZ	.....13	SEARS	.....08, 11
MITSUBISHI	.....13	SHARP	.....16
MONTGOMERY WARD	.....14	SONY	.....09
PANASONIC	.....07	TOSHIBA	.....08
PANASONIC-GAOU	.....07	ZENITH	.....06, 15

3

Press and release the **MUTE** button.

4

Within 30 seconds after releasing the MUTE button, press and release the **TV** button.

5

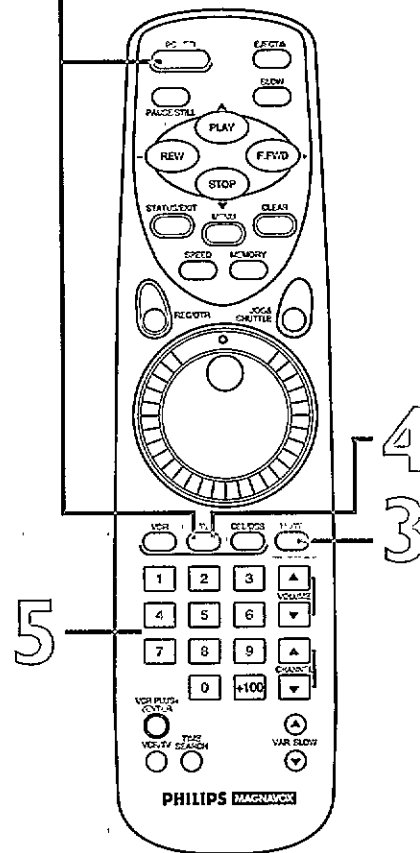
Within 30 seconds after releasing the TV button, use the **Number** buttons to enter the two-digit code for your TV brand. For example, if you have a Zenith TV, press Number buttons 1, 5.

6

Try step 1 again. If the remote control works your TV, you're finished. If the remote control still doesn't work your TV, repeat steps 2 - 5, using another code.

**There is no guarantee that the remote will work your TV.**

1 & 6 2 Find your TV code.



### Helpful Hints

- Although the remote control that comes with your VCR will work most Magnavox TVs, as well as many TVs sold under other brand names, it is possible that the remote control will not operate your TV.
- The remote control may only operate some features of your TV. For example, the remote control may turn on the TV power, but it may not change channels at the TV.
- If you can not change the channels at the TV by using the Number buttons, press the VCR PLUS+ / ENTER button after you press the Number buttons. It may change channels at the TV.
- If you had to program the remote control to operate your TV here, whenever you replace the batteries in the remote control, you will have to program the remote control again.

# Setting the Remote to Operate a Cable Box/Digital Satellite System 21

Your VCR remote control may operate your Cable Box or Digital Satellite System. If the remote control doesn't operate your Cable Box or Satellite System now, follow the steps below to program your remote control.

1

Point the remote control at your Cable Box or Satellite System and press the **CBL/DSS** button. Then, press the **POWER** button. If your Cable Box or Satellite System turns on or off, try the other Cable Box/Satellite System buttons (see pages 22 - 24 for details). If your Cable Box or Satellite System doesn't turn on or off, or if the other buttons don't work, go to step 2.

2

Find the brand of your Cable Box or Satellite System on the list below, and remember the two-digit number to the right of it.

CABLE BOX CODES	
HAMLIN . . . . .21, 22	PIONEER . . . . .11, 12
JERROLD . . . .01, 02, 03, . . . . .04, 05, 06, 07	SCIENTIFIC
OAK . . . . .16, 17, 18	ATLANTA . . . .08, 09, 10
PANASONIC . . . .19, 20	TOCOM . . . . .23, 24, 25
	ZENITH . . . . .13, 14, 15

SATELLITE SYSTEM CODES	
MAGNAVOX . . . . .26, 27	RCA . . . . .28

3

Press and release the **MUTE** button.

4

Within 30 seconds after releasing the MUTE button, press and release the **CBL/DSS** button.

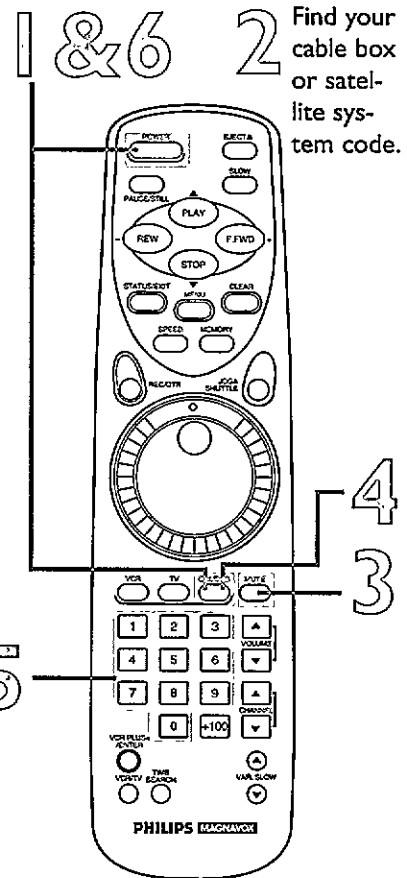
5

Within 30 seconds after releasing the CBL/DSS button, use the **Number** buttons to enter the two-digit code for your Cable Box or Satellite System. For example, if you have a Zenith Cable Box, press Number buttons 1, 3.

6

Try step 1 again. If the remote control works your Cable Box or Satellite System, you're finished. If the remote control still doesn't work your Cable Box or Satellite System, repeat steps 2 - 5, using a different code.

**There is no guarantee that the remote control will work your Cable Box or Satellite System.**

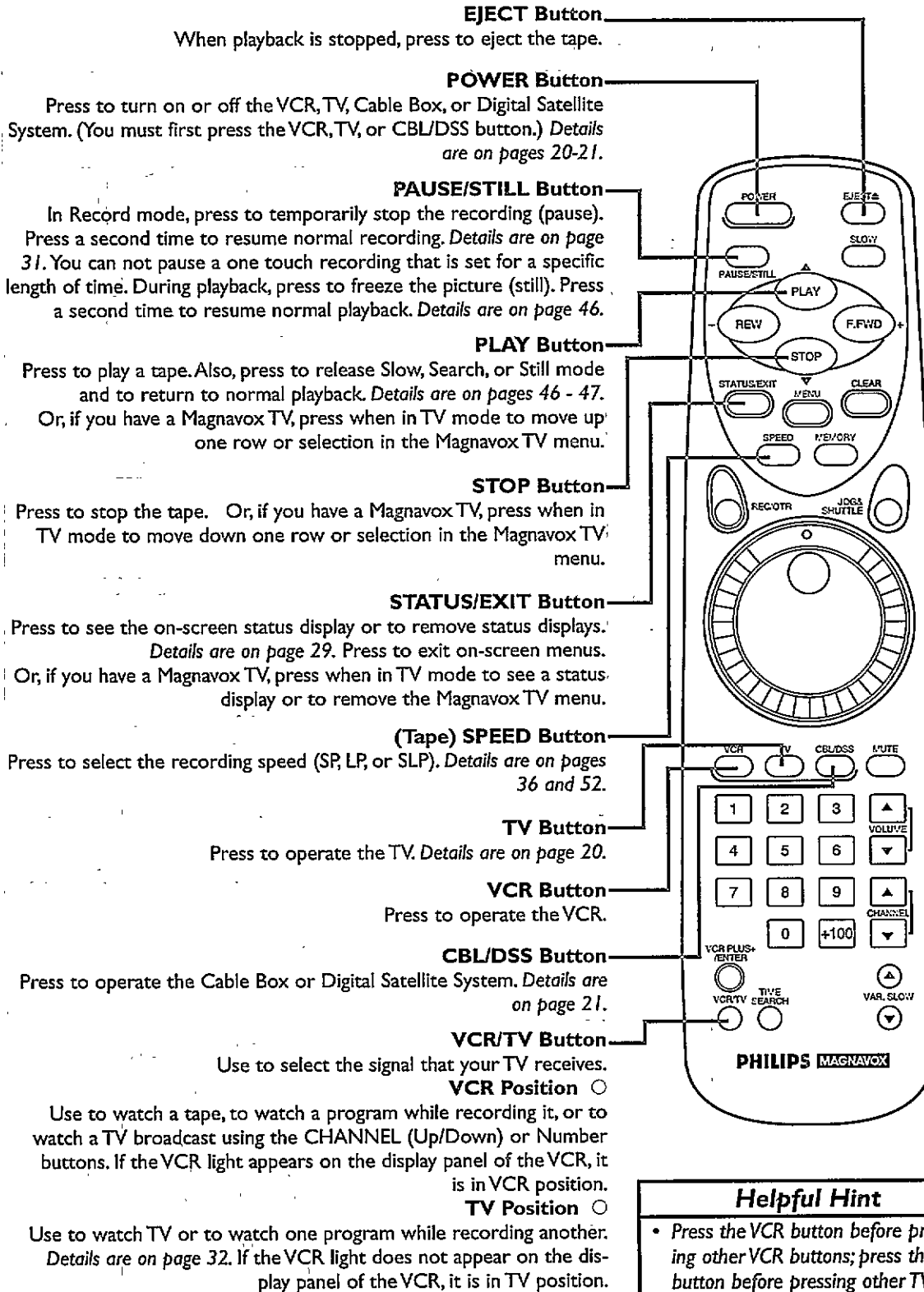


Find your cable box or satellite system code.

## Helpful Hints

- Although the remote control that comes with your VCR will work most Cable Boxes and Satellite Systems, it is possible that the remote control will not operate your Cable Box or Satellite System.
- The remote control may only operate some features of your Cable Box or Satellite System. For example, some Cable Boxes may only be turned on at the Cable Box, therefore the remote control will not be able to turn on the Cable Box.
- If you can not change the channels at the Cable Box by using the Number buttons, press the VCR PLUS+/ENTER button after you press the Number buttons. It may change channels at the Cable Box.
- If you had to program the remote control to operate your Cable Box or Satellite System here, whenever you replace the batteries in the remote control, you will have to program the remote control again.

## 22 Remote Control Buttons



### Helpful Hint

- Press the VCR button before pressing other VCR buttons; press the TV button before pressing other TV buttons; press the CBL/DSS button before pressing other Cable Box/Satellite System buttons.

## Remote Control Buttons (cont'd) 23

### F.FWD (Fast Forward) Button

When in Stop mode, press to fast forward the tape at high speed. When in Play mode, press to fast forward while the picture stays on-screen. *Details are on page 46.*

Or, if you have a Magnavox TV, press when in TV mode to adjust (increase) the picture controls in the TV menu system.

### SLOW Button

During tape playback, press to view the picture in slow motion. Press a second time to resume normal playback.

### REW(ind) Button

When tape playback is stopped, press to rewind the tape at high speed. During playback, press to rewind the tape while the picture stays on-screen. *Details are on page 46.*

Or, if you have a Magnavox TV, press when in TV mode to adjust (decrease) the picture controls in the TV menu system.

### MENU Button

Press to bring up the main menu display. Or, if you have a Magnavox TV, press the TV button, then press to display the Magnavox TV menu.

### REC(ord)/OTR Button

Press once to start a recording. *Details are on page 31.*  
Or, press three to 18 times to start a one touch recording (an immediate recording, 30 minutes to eight hours long) of the channel you are watching. *Details are on page 33.*

### Jog Dial

When you turn this dial in either direction while in the Jog & Shuttle mode, the tape moves forward or backward frame-by-frame at a speed that corresponds to the speed at which the dial is turned. *Details are on page 47.*

### Shuttle Ring

Turn and hold this ring while in the Jog & Shuttle mode to do a forward or backward search. The more the ring is rotated, the faster the search will be. *Details are on page 47.*

### JOG & SHUTTLE Button

Press to use the Jog Dial or the Shuttle Ring. *Details are on page 47.*

### Number Buttons

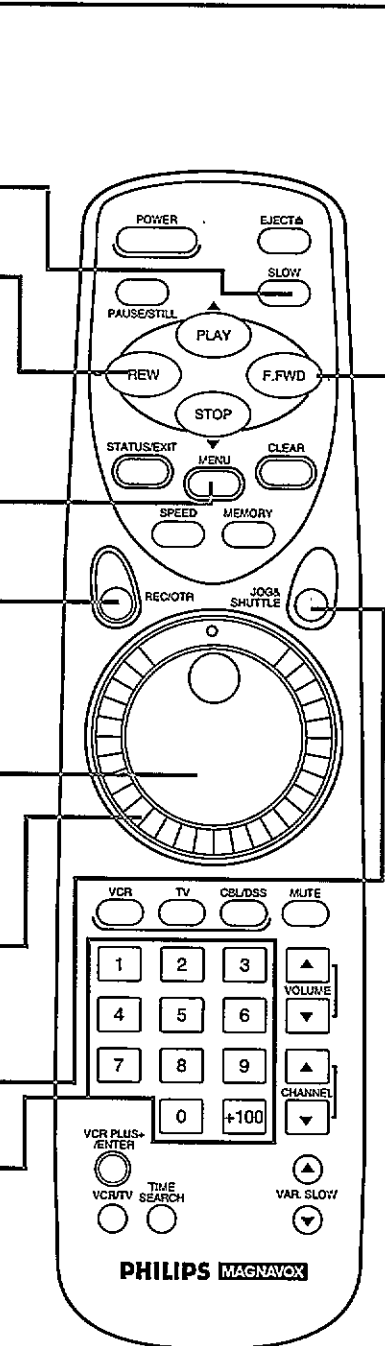
Use to select channels at the VCR, TV, Cable Box, or Digital Satellite System; to select on-screen menus; and to program VCR functions (such as setting the clock).

### Channels 1 - 9

To select, press 0, then press the channel you want. For example, to select channel 7, press 0, 7.

### Channels 100 and above

To select, press the +100 button, then press the last two digits of the channel you want. For example, to select channel 117, press the +100 button, 1, 7.

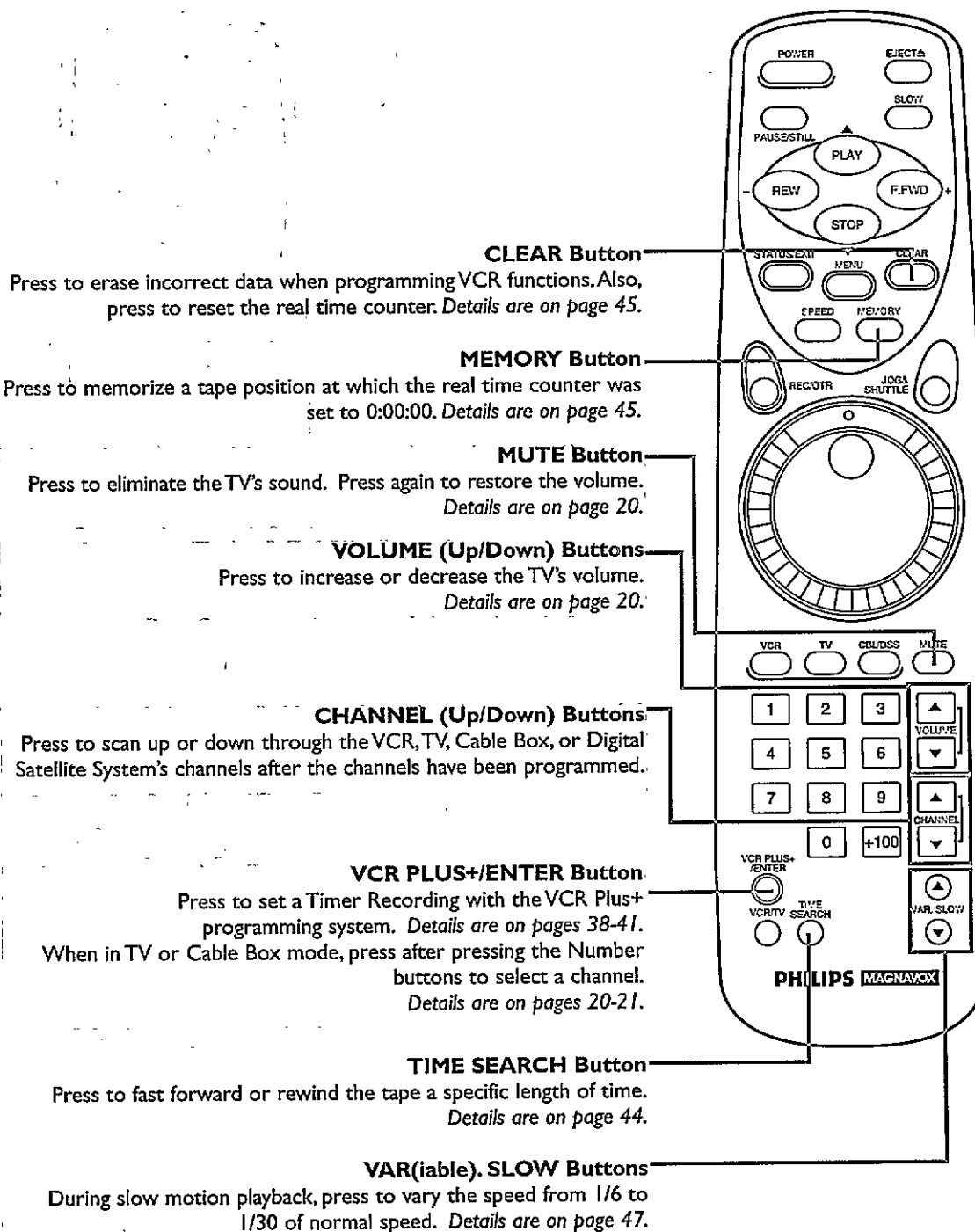


### Helpful Hint

- Shaded buttons may also operate features of your TV, Cable Box, or Satellite System.

## 24 Remote Control Buttons (cont'd)

---





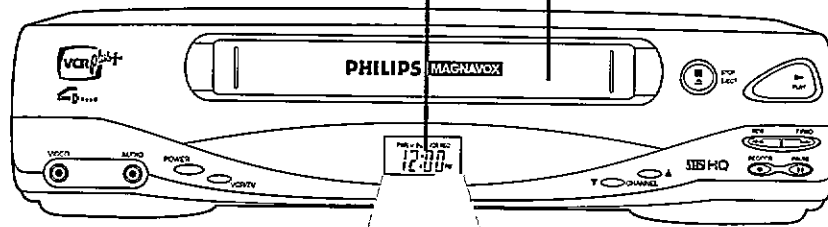
# VCR Display Panel 25

## VCR Display Panel

Information about VCR operations appears here.

## Cassette Compartment

Insert a tape here.



### Timer Light

This light glows when you turn off the VCR when a timer recording has been set. It also glows when a one touch recording has been set. It flashes when you turn off the VCR if a timer recording has been set but a tape has not been placed in the VCR. It also flashes when a timer recording has finished (unless another timer recording is programmed, in which case it glows).

### PWR(power). Light

This light indicates that the power is turned on.

### Cassette-Inside Light

This light appears when there is a tape in the VCR.

### VCR Light

This light appears when the VCR is in VCR position.

### REC(ord) Light

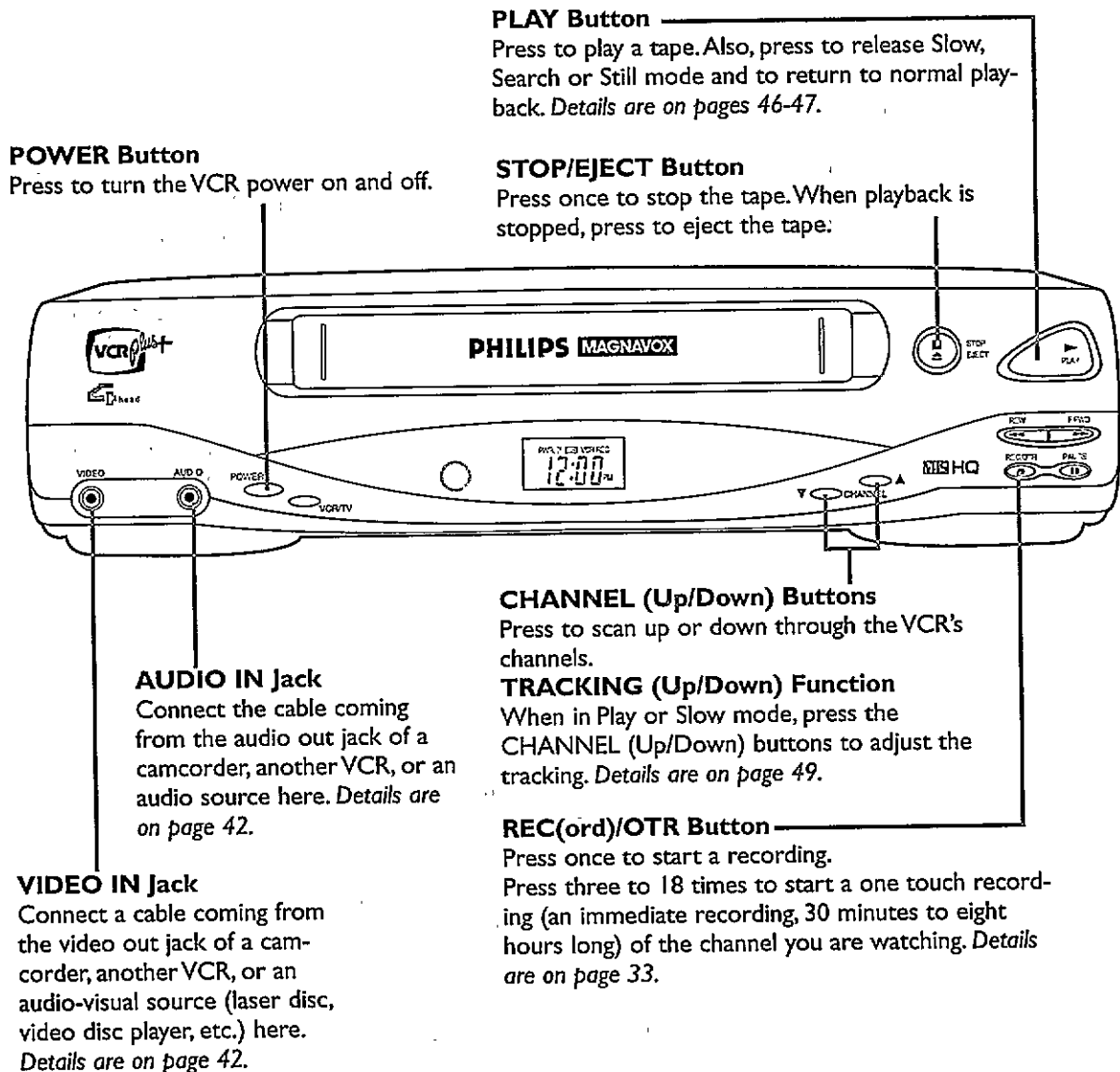
This light indicates that a recording is in progress. It flashes when a recording has been paused.

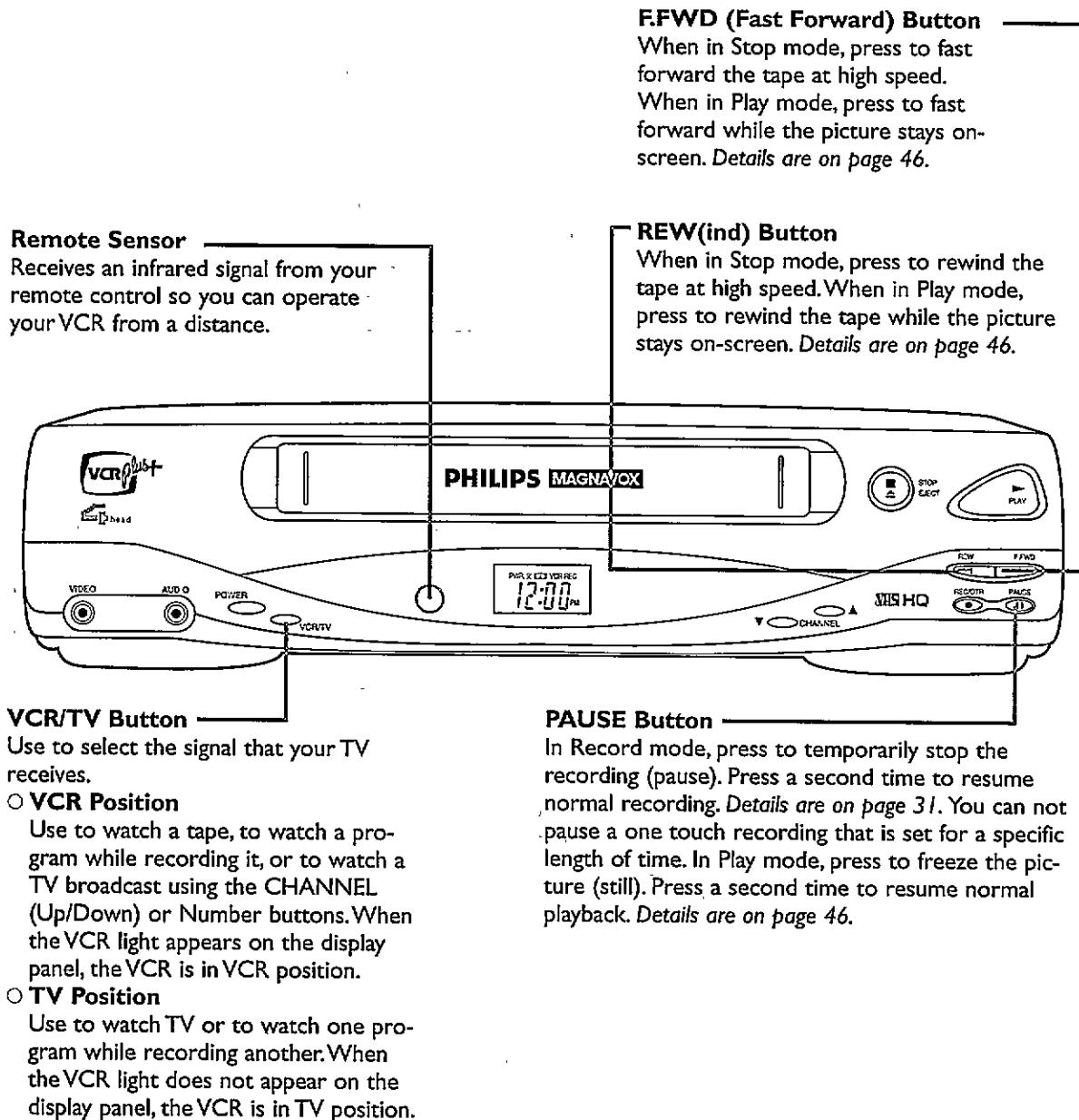
### Clock/Feature Display

This display tells you the current time (when the clock is set), and briefly displays which feature the VCR is currently performing.

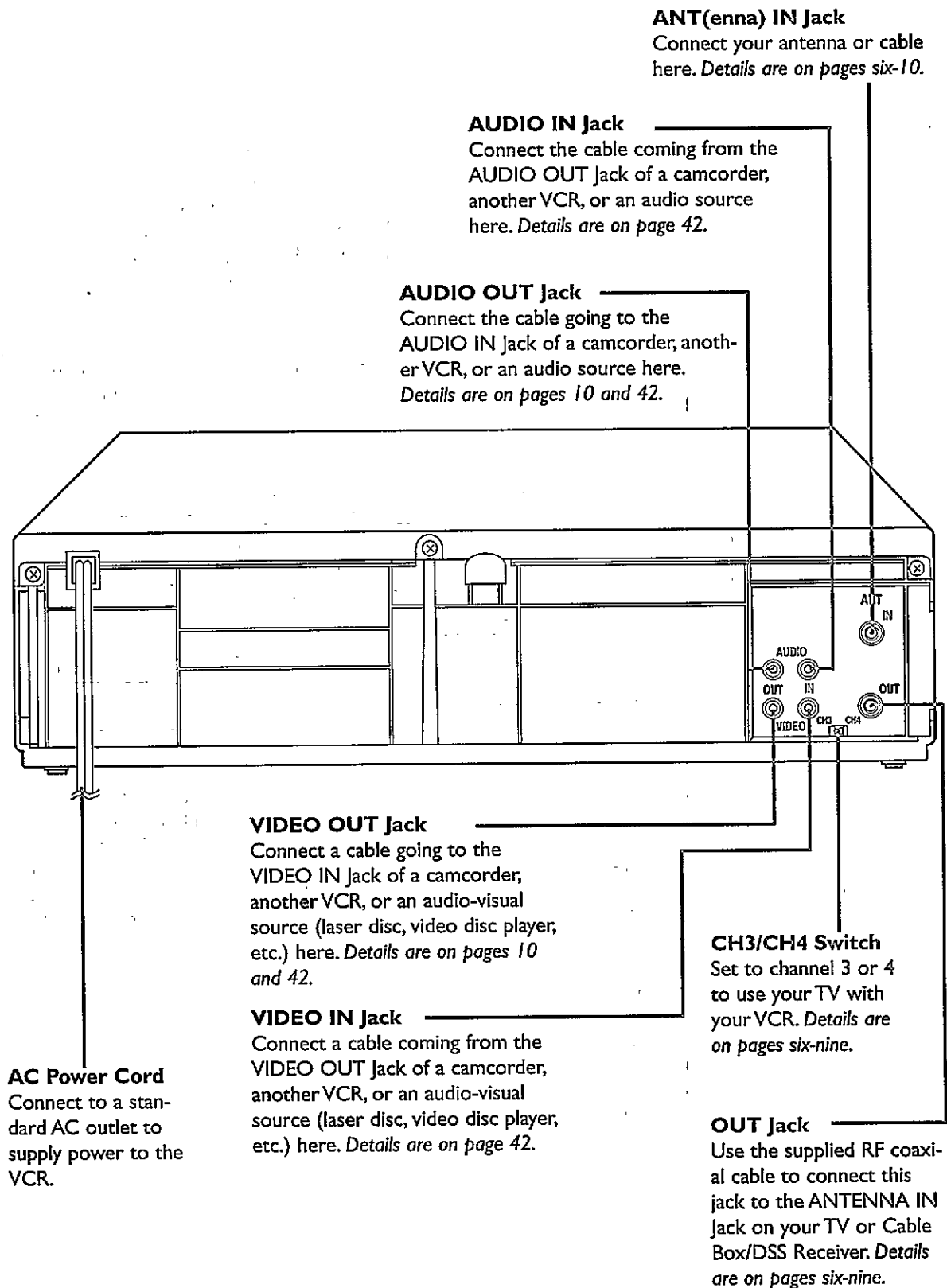
PLAY	: Playback
FF	: Fast forward
REW	: Rewind
STOP	: Stop
REC	: Recording

## 26 Front Panel





## 28 Rear Panel



## On-Screen Status Displays 29

A status display, which includes the current time, channel, and other information (see illustration), will appear when you press the STATUS/EXIT button or certain function buttons. The contents of the status display may vary. There are three status display modes:

### ON SCREEN ON:

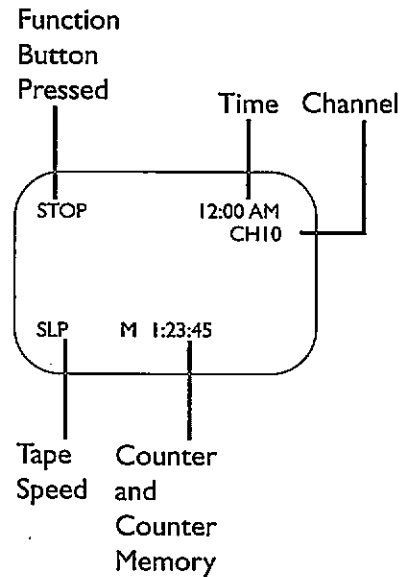
- Whenever you press the STOP button or the PLAY button, the status display will appear for five seconds.

### COUNTER ONLY:

- Whenever you press the STOP button or the PLAY button, the status display will appear for five seconds. After five seconds, only the counter will remain on-screen. You must press the STATUS/EXIT button to remove it.

### ON SCREEN OFF:

- The status display will not appear when you press function buttons. You must press the STATUS/EXIT button to see the status display. To choose the status display mode, follow the steps below.



Press the **VCR** button, then press the **MENU** button to bring up the main menu display.

TO SELECT PUSH NO. SHOWN  
 1 PROGRAM  
 2 VCR SET UP  
 3 TUNER SET UP  
 4 SET CLOCK

TO END PUSH EXIT

# 2

Press the **Number 2** button to select VCR SET UP.

TO SELECT PUSH NO. SHOWN  
 1 REPEAT PLAY OFF  
 2 ON SCREEN MODE  
 3 LANGUAGE  
 4 VCR PLUS+ REF MAP

TO END PUSH EXIT

# 3

Press the **Number 2** button to select ON SCREEN MODE.

TO SELECT PUSH NO. SHOWN  
 1 ON SCREEN ON ON  
 2 COUNTER ONLY  
 3 ON SCREEN OFF

TO END PUSH EXIT

# 4

Press the **Number 1** button to select ON SCREEN ON, the **Number 2** button to select COUNTER ONLY, or the **Number 3** button to select ON SCREEN OFF. ON will appear beside the selected status display mode.

# 5

Press the **STATUS/EXIT** button to exit.

### Helpful Hints

- If the channel you select has no broadcast, the screen will become solid blue. The screen will remain blue until you select an active channel.
- You may bring up the status display at any time by pressing the STATUS/EXIT button.  
 (The exception is when viewing a still picture or a slow motion picture, or when F.FWD or REW(ind) is pressed during playback.)
- Channel numbers (when tuned) are displayed for a few seconds.

## 30 Playing

Read and follow the steps below to play a tape.

1

Turn the TV on and set it to channel 3 or 4, whichever the CH3/CH4 switch on the back of the VCR is set to.

2

Insert a tape in the VCR. The power will come on. The VCR will place itself in VCR position automatically (the VCR light and the Cassette-Inside light on the display panel of the VCR will appear). If the tape's record tab has been removed, playback will start automatically.

3

If playback does not start automatically, press the **PLAY** button to start playback.

4

Press the **STOP** button on the remote control or the **STOP/EJECT** button on the VCR once to stop playback.

5

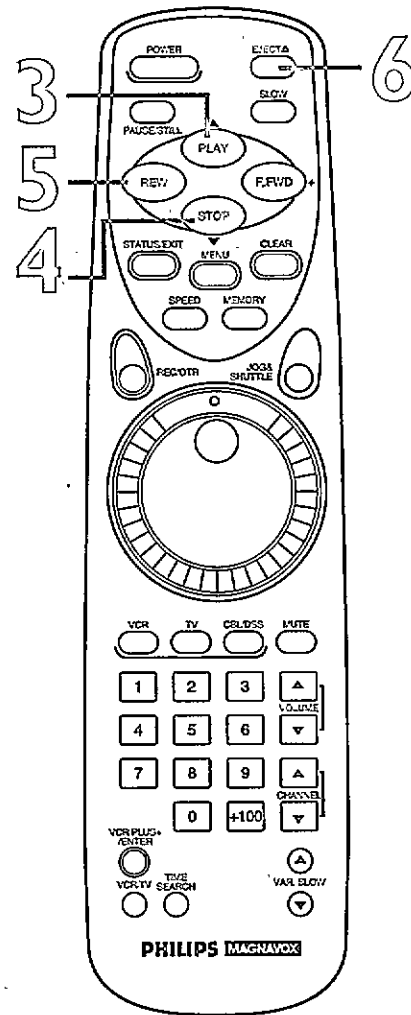
Press the **REW(ind)** button on the remote control or the VCR to rewind the tape.

6

When the tape stops, press the **EJECT** button on the remote control or the **STOP/EJECT** button on the VCR to remove the tape.

1 Turn on the TV.

2 Insert a tape in the VCR.



### Helpful Hints

- If the tape you want to play is already in the VCR, make sure the VCR power is on and the VCR is in VCR position. (The VCR light will appear on the display panel.) Press the VCR button, then press the PLAY button.
- Other playback options and features are on pages 43 - 49.

## Recording 31

Read and follow the steps below to record a television program.

1

Turn the TV on and set it to channel 3 or 4, whichever the CH3/CH4 switch on the back of the VCR is set to.

2

Insert a tape with its record tab intact (see page five) in the VCR. The power will come on, and the Cassette-Inside light will appear.

3

Press the VCR button on the remote control.

4

If the VCR light appears on the display panel of the VCR, go to step 5. If the VCR light does not appear, press the VCR/TV button once.

5

Press the (Tape) SPEED button on the remote control until the desired tape speed (see page 36) appears on the TV screen. The tape speed will disappear from the screen after about five seconds.

6

Use the CHANNEL (Up/Down) buttons or the Number buttons to select the channel to be recorded.

7

Press the REC(ord)/OTR button once to start recording. The REC(ord) light will appear.

8

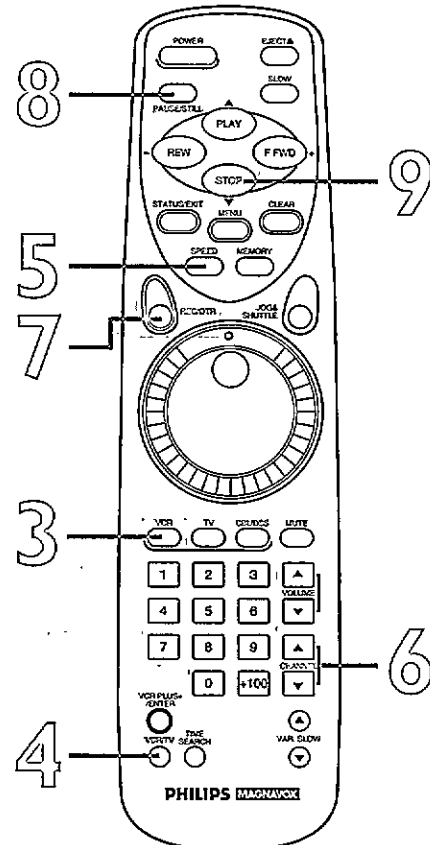
To pause the recording (for example, during commercials), press the PAUSE/STILL button once. The REC(ord) light will flash. To start recording again, press the REC(ord)/OTR button or the PAUSE/STILL button again. The REC(ord) light will come on again.

9

To stop recording, press the STOP button.

1 Turn on the TV.

2 Insert a tape in the VCR.



### Helpful Hints

- If the REC(ord)/OTR button is pressed when there is not a tape in the VCR, NO CASSETTE will flash on-screen.
- If the REC(ord)/OTR button is pressed while a tape without a record tab is in the VCR, the VCR will eject the tape and PROTECTED CASSETTE CANNOT RECORD will flash on-screen.
- Other recording options are on pages 32 - 42.
- You can change the tape speed while the VCR is recording, but some distortion will appear on the tape.
- The VCR will record in a preset volume.

## 32 Recording One Channel/Watching Another

1

Start a recording (see page 31).

2

Press the **VCR** button.

3

Press the **VCR/TV** button to put the VCR in TV position. The VCR light will disappear from the VCR's display panel.

4

Press the **TV** button, then press the **CHANNEL (Up/Down)** or **Number** buttons to choose the channel you want to watch. Or, use the TV remote control to select the channel you want to watch.

5

To return to the channel being recorded, press the **TV** button, then use the **Number** buttons to select channel 03 or 04 (whichever channel the CH3/CH4 switch on the back of the VCR is set to):

Or, if the VCR remote control doesn't operate your TV, use the TV remote control to select channel 3 or 4.

6

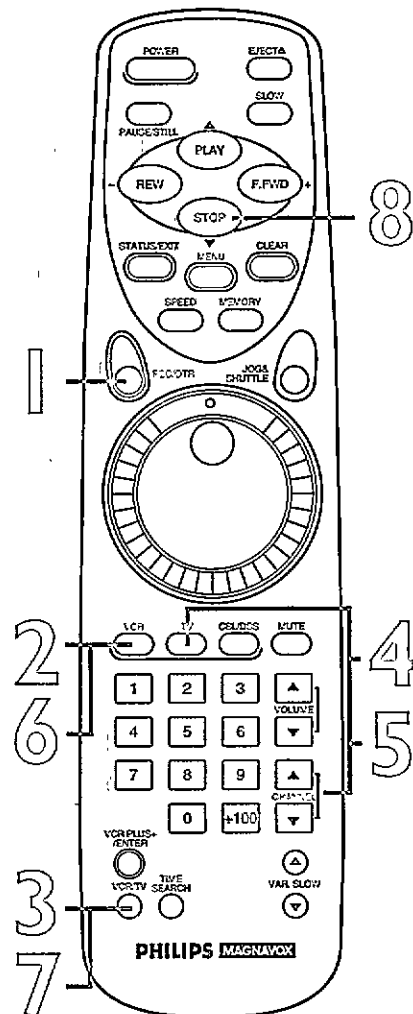
Press the **VCR** button.

7

Press the **VCR/TV** button to put the VCR in VCR position. The channel being recorded will appear on-screen.

8

Press the **STOP** button to stop the recording.



### Helpful Hints

- If your remote control operates your TV, press the **TV** button, then use the **CHANNEL (Up/Down)** buttons on the remote control to select TV channels. See page 20 for details.
- If you use a Cable Box or Satellite System hookup, you may not be able to watch one channel while recording another. See pages eight-nine for details.
- If you don't receive channels, check your hookups, then follow the instructions above carefully.



The one touch recording (OTR) function allows you to program an immediate timed recording 30 minutes to eight hours long without setting the timer. Before you begin, make sure:

- Channels are programmed.
- The desired recording speed (SP, LP, or SLP) has been selected with the (Tape) SPEED button.
- There is a tape in the VCR. Make sure the tape's record tab is intact and the tape is long enough to record the program(s).
- The VCR is in VCR position. The VCR light will appear on the display panel if the VCR is in VCR position. If the VCR light does not appear, press the VCR/TV button once.

1

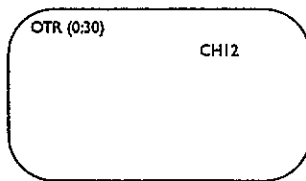
Press the **VCR** button.

2

Press the **CHANNEL (Up/Down)** buttons or the **Number** buttons to select the channel you want to record.

3

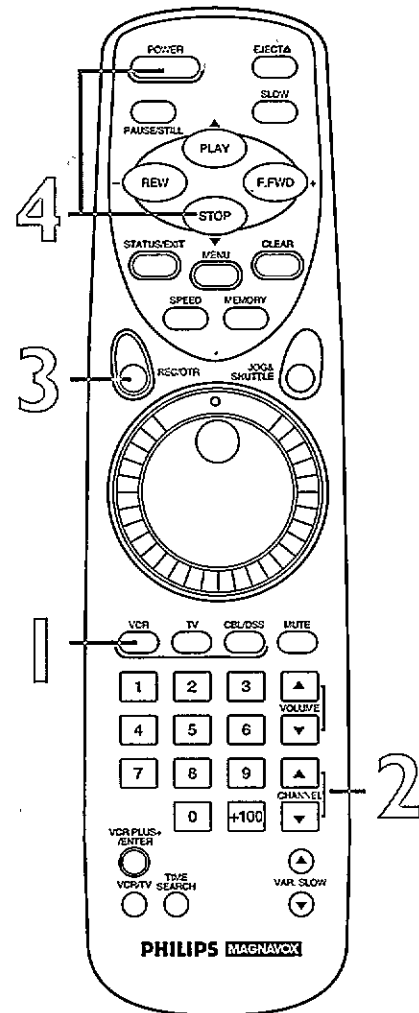
Press the **REC(ord)/OTR** button repeatedly until the desired recording length (30 minutes to eight hours) appears in the upper left corner of the screen. Recording will begin immediately. The REC(ord) light and the Timer light will appear on the display panel.



4

To stop an OTR before recording is finished, press the **STOP** button or the **POWER** button. To cancel the OTR but continue recording, press the REC(ord)/OTR button until REC appears in the upper left corner of the TV screen. The REC(ord) light will remain on the display panel of the VCR, but the Timer light will disappear.

(REC will not appear in the upper left corner of the TV screen if the selected status display mode is ON SCREEN OFF. Details are on page 29.)



## Helpful Hints

- To check the time remaining for an OTR after the OTR has been set, press the STATUS/EXIT button.
- To change the recording length while an OTR is in progress, press the REC(ord)/OTR button until the desired length appears on-screen.
- If you begin an OTR when a recording is paused, the OTR will begin.
- You can not pause recording (for example, during commercials) during an OTR.
- If the preset time for a timer recording comes up during an OTR, the OTR has priority.

## 34 Timer Recording

Follow the steps below to program your VCR to record TV programs while you're away from home. You can program up to eight timer recordings. For each one, the VCR will turn itself on, record, and turn itself off automatically. Before you begin make sure:

- Channels are programmed.
- The clock is set.
- There is a tape in the VCR. Make sure the tape's record tab is intact and the tape is long enough to record the program(s).
- The VCR is in VCR position. The VCR light will appear on the display panel when the VCR is in VCR position. If the VCR light does not appear, press the VCR/TV button once.

**Do each step within 60 seconds of completing the previous step. If you don't, you may start again at step 1.**

1

**Press the VCR button, then press the MENU button to bring up the main menu display.**

TO SELECT PUSH NO. SHOWN

- 1 PROGRAM
- 2 VCR SET UP
- 3 TUNER SET UP
- 4 SET CLOCK

TO END PUSH EXIT

2

**Press the Number 1 button on the remote control to select PROGRAM.**

TO SELECT PUSH NO. SHOWN

- 1 ONCE
- 2 DAILY
- 3 WEEKLY
- 4 PROGRAM REVIEW

TO END PUSH EXIT

3

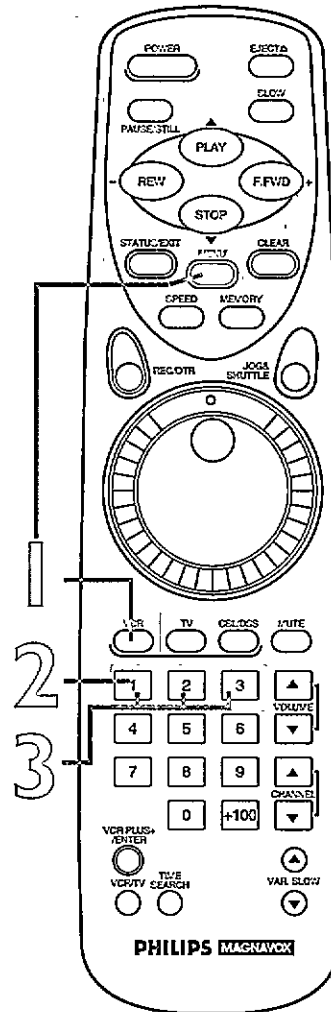
Select a once, daily or weekly recording.

- **Press the Number 1 button to select ONCE.** The VCR will record a TV program on any day you choose, up to 12 months away.
- **Press the Number 2 button to select DAILY.** The VCR will record every day from Monday to Friday – starting at the same time and for the same length of time.
- **Press the Number 3 button to select WEEKLY.** The VCR will record on the same day, at the same time, and for the same length of time every week.

**Daily  
Recording  
Menu  
Screen**

DAILY PROGRAM (MON-FRI)  
PROGRAM -1 2 3 4 5 6 7 8-

SELECT PROGRAM NUMBER  
TO END PUSH EXIT



### Helpful Hint

- If you need to make a correction while programming a timer recording, press the CLEAR button until the cursor is flashing on the item you want to change. Then enter the correct information.

## 4

Use the Number buttons (1 - 8) to select a slot in which to store the timer recording. There are eight timer recording slots. Open slots will flash on-screen.

*NOTE: If you enter a number for a slot that has already been used to store a timer recording, PREVIOUSLY SET PROGRAM will appear on-screen for a few seconds. Then information about the program in that slot will be displayed on-screen. If this happens, press the STATUS/EXIT button twice. Then start again at step 1.*

## 5

Enter the channel you want to record.

- If you have a basic antenna or cable hookup (as shown on pages six-seven) enter the channel of the TV program you want to record. (You must enter a 0 before all single digit channels.)
- If you are recording from line input, press 0, 0. AV REAR will appear on-screen.
- If you are using a Cable Box/DSS Receiver, enter the Cable Box/DSS Receiver output channel (channel 03 or 04). See page eight for details.

```

ONE TIME PROGRAM
PROGRAM 1
CHANNEL  --
    
```

TO CORRECT PUSH CLEAR  
TO END PUSH EXIT

## 6

Press two Number buttons for the hour(s) you want the recording to begin. Press two Number buttons for the minute(s) you want the recording to begin. Press 1 for AM or 2 for PM. For example, for 9:30 PM, press 09, 30, 2.

```

ONE TIME PROGRAM
PROGRAM 1
CHANNEL 10
TIME ON  --:--
    
```

TO CORRECT PUSH CLEAR  
TO END PUSH EXIT

## 7

Enter the recording's stop time.

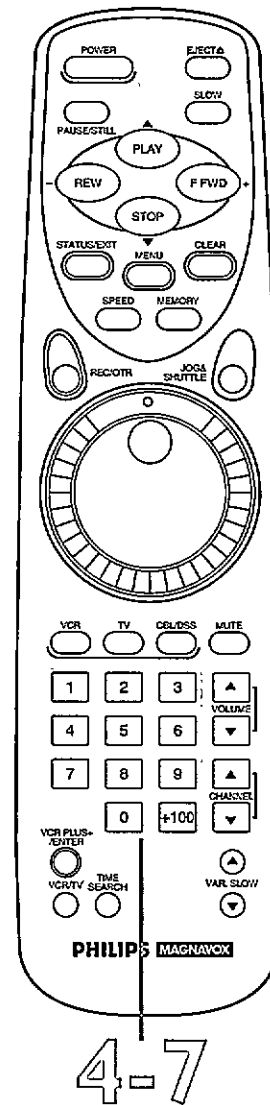
Follow the instructions in step 6 to set the recording's stop time (AM or PM will be set automatically).

```

ONE TIME PROGRAM
PROGRAM 1
CHANNEL 10
TIME ON  09:30 PM
TIME OFF  --:--
    
```

TO CORRECT PUSH CLEAR  
TO END PUSH EXIT

**Instructions continue on page 36.**



4-7

### Helpful Hints

- You must leave the Cable Box/DSS Receiver turned on for a timer recording (if applicable).
- Entries that do not match the VCR's internal clock or calendar will cause a question mark (?) to appear on-screen.

## 36 Timer Recording (cont'd)

8

Press the **Number 1** button to record in **SP** speed, press the **Number 2** button to record in **LP** speed, or press the **Number 3** button to record in **SLP** speed. (For details, see the chart below.) You cannot use the (Tape) **SPEED** button at this time.

ONE TIME PROGRAM  
 PROGRAM 1  
 CHANNEL 10  
 TIME ON 09:30 PM  
 TIME OFF 11:00 PM  
 REC SPEED SLP  
 SP=1 LP=2 SLP=3  
 TO CORRECT PUSH CLEAR  
 TO END PUSH EXIT

9

Press two **Number** buttons for the month and two **Number** buttons for the day you want to record the program. For example, for July 10, 1997, press 07, 10. The day of the week and the year will appear automatically (you cannot program the VCR to record more than one year in advance).

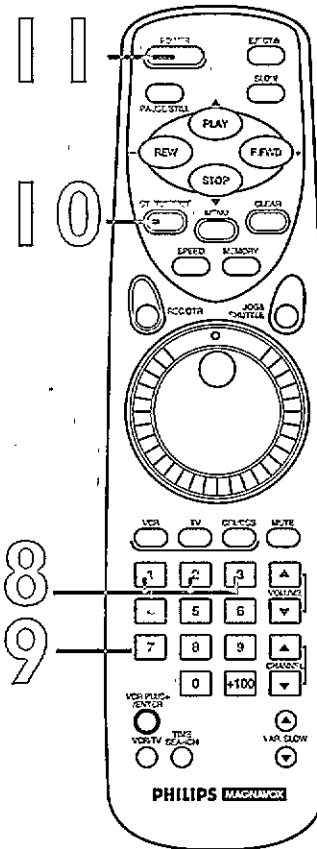
ONE TIME PROGRAM  
 PROGRAM 1  
 CHANNEL 10  
 TIME ON 09:30 PM  
 TIME OFF 11:00 PM  
 REC SPEED SLP  
 START DATE 07/10/97  
 THU.  
 TO CORRECT PUSH CLEAR  
 TO END PUSH EXIT

10

Press the **STATUS/EXIT** button. PROGRAM WAS COMPLETED / PLEASE TURN OFF VCR FOR TIMER RECORDING will appear on-screen (if PROGRAM NOT COMPLETED appears, try again from step 1). In three seconds the on-screen display will disappear.

11

Turn off the **VCR power**. The Timer light will appear. The **VCR must be turned off for a timer recording to take place.** (If the timer recording will take place several hours or days from now, you may use the VCR until time for the recording. Just turn off the VCR a few minutes before the recording starts.) If you forget to turn off the VCR, PLEASE TURN OFF VCR FOR TIMER RECORDING flashes on your TV screen two minutes before a timer recording starts. Remove the message by pressing the **CLEAR** button.



**The VCR must be off for a timer recording to take place! Make sure there is a tape in the VCR.**

Tape Speeds	Tape Speed Type	Maximum Record/Playback Time		
		T160	T120	T60
This chart shows the recording/playback time for three types of video cassettes (T160, T120, and T60). There are three playback speeds: SP, LP, and SLP. During playback, the VCR selects the tape speed automatically. When recording, you can change the tape speed using the (Tape) <b>SPEED</b> button (see pages 22 and 31).	SP (Standard Play)	2 hrs. 40 mins.	2 hrs.	1 hr.
	LP (Long Play)	5 hrs. 20 mins.	4 hrs.	2 hrs.
	SLP (Super Long Play)	8 hrs.	6 hrs.	3 hrs.

## Checking or Cancelling Timer Recordings

1

With the VCR on and in VCR position (the VCR light will appear on the display panel), press the **VCR** button, then press the **MENU** button.

2

Press the **Number 1** button to select PROGRAM.

3

Press the **Number 4** button to select PROGRAM REVIEW. The timer recording information for the program in the lowest numbered slot will appear on-screen. If no timer recordings are set, nothing will happen when you press the Number 4 button.

4

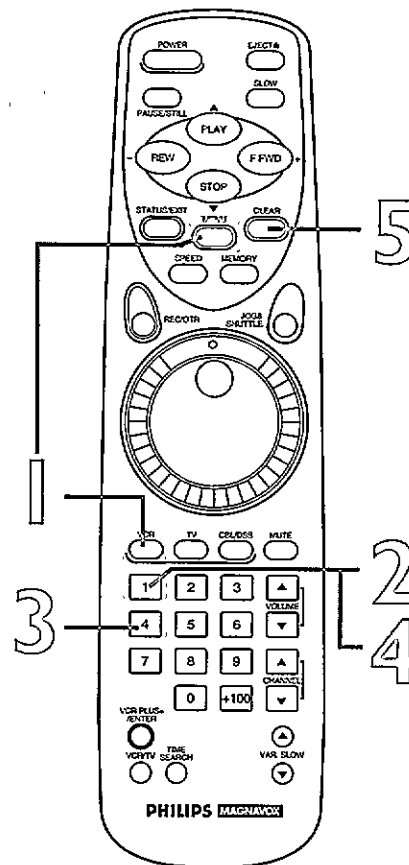
Press the **Number 1** button repeatedly to review all programmed timer recordings. If you don't press the Number 1 button in 10 seconds, the VCR will automatically display information about the next programmed timer recording. This will continue until all filled positions have been displayed. Then the menu will disappear.

5

To cancel the timer recording displayed, press the **CLEAR** button. Either the display will disappear or information about other timer recordings will appear. If you do not press any other buttons, the display will disappear after all timer recordings have been displayed.

6

Repeat steps 1 - 4 to make sure you have cleared the correct timer recording.



### Helpful Hints

- *CLASH* may flash on the screen when you finish setting a timer recording. This means that the timer recording you just programmed and another timer recording overlap, and thus the current timer recording will not be carried out. In this case, cancel one of the overlapping timer recordings.
- If the preset time for a timer recording comes up during an OTR, the OTR has priority.
- To stop a started timer recording, press the **STOP/EJECT** button on the VCR.
- If the power fails for more than one minute, programmed timer recordings will be lost. If this occurs, reset the clock before re-programming the timer recording(s).

See page 50 for more hints.

# 38 Setting Up the VCR Plus+ Programming System



First, fill in the boxes on this page. It will only take a few minutes, and you must do it if you want the VCR Plus+ programming system to work properly.

Since the channel numbers of the stations you receive may not be the same as the station numbers, and since channel numbers differ from area to area, you must program the VCR with your local channel information. To fill in the boxes, you will need 1) a cable channel line-up list, if applicable (you can request one from your cable company), and 2) a chart that lists VCR Plus+ channel numbers, which you can find in your TV guide or the TV listings of your local newspaper.

TV Channels		
Local TV Stations (call letters)	VCR PLUS+ CH.	CABLE/TV CH.

CABLE Channels		
Local TV Stations (call letters)	VCR PLUS+ CH.	CABLE/TV CH.

## Setting Up the VCR Plus+ Programming System (cont'd) 39

2

Now, compare the channel numbers you have written in the VCR PLUS+ CH. and CABLE/TV CH. columns. You'll notice that some stations have VCR Plus+ and Cable/TV channel numbers that are the same, and other stations have channel numbers that do not match. Where the channel numbers DO NOT match, you must tell the VCR the VCR Plus+ and Cable/TV channel numbers according to the following steps.

- Make each entry within 60 seconds of the previous entry.

3

Press the **VCR** button, then press the **MENU** button.

4

Press the **Number 2** button to select VCR SET UP.

TO SELECT PUSH NO. SHOWN

- |                      |     |
|----------------------|-----|
| 1 REPEAT PLAY        | OFF |
| 2 ON SCREEN MODE     |     |
| 3 LANGUAGE           |     |
| 4 VCR PLUS+ REF. MAP |     |

TO END PUSH EXIT

5

Press the **Number 4** button to select VCR PLUS+ REF. MAP.

VCR PLUS+ CROSS REF MAP	
VCR PLUS+      CABLE/TV	
98	98
99	99
1	1
2	2

TO SELECT CH PUSH CH UP/  
DOWN THEN ENTER CH NO.  
TO END PUSH EXIT

6

Look at the lists you filled in on page 38. For stations whose **VCR Plus+** and **Cable/TV** channels do not match, press the **CHANNEL (Up/Down)** buttons until the arrow is beside the **VCR Plus+** channel you need. Then, press the **Number** buttons to enter the corresponding **Cable/TV** channel from your list. (Enter a "0" before single-digit channels.) Continue this process until you have entered all the stations on your list.

VCR PLUS+ CROSS REF MAP	
VCR PLUS+      CABLE/TV	
98	98
99	99
1	23
2	2

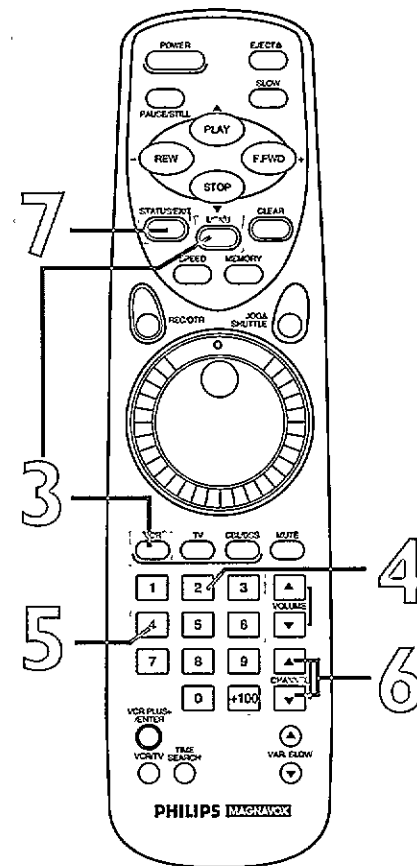
TO SELECT CH PUSH CH UP/  
DOWN THEN ENTER CH NO.  
TO END PUSH EXIT

7

Press the **STATUS/EXIT** button to exit.

2

Examine the lists on page 38.



### Helpful Hints

- To correct a Cable/TV channel number, repeat the steps on this page.
- To clear a Cable/TV channel number, repeat steps 3-5 on this page. Then, press the CHANNEL (Up/Down) buttons to select it. Then press the CLEAR button. Press the STATUS/EXIT button to exit.
- Always enter a "0" before single-digit channels.
- To select line input for the Cable/TV channel, press 0,0.AUX will appear on-screen.
- When you receive the VCR from the factory, all the VCR Plus+ channel numbers and Cable/TV channel numbers are the same.

# 40 Timer Recording With the VCR Plus+ Programming System

Follow the steps below to program a timer recording using the PlusCode programming numbers in your TV guide. Before you begin, make sure:

- Channels are programmed (page 12).
- The VCR Plus+ and Cable/TV channel numbers are entered (pages 38 - 39).
- The clock is set (pages 14-17).
- There is a tape in the VCR. Make sure the tape's record tab is intact and the tape is long enough to record the program(s).
- The VCR power is on and the VCR light appears on the display panel of the VCR. If it does not, press the VCR/TV button once.

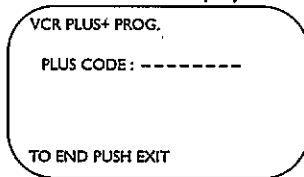
**Complete each step within 60 seconds of completing the previous step. If you don't, you may return to step 1.**

1

Press the **VCR** button.

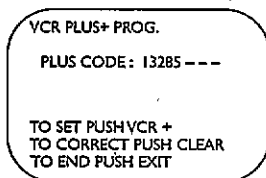
2

Press the **VCR PLUS+ /ENTER** button on the remote control. The on-screen display shown below will appear.



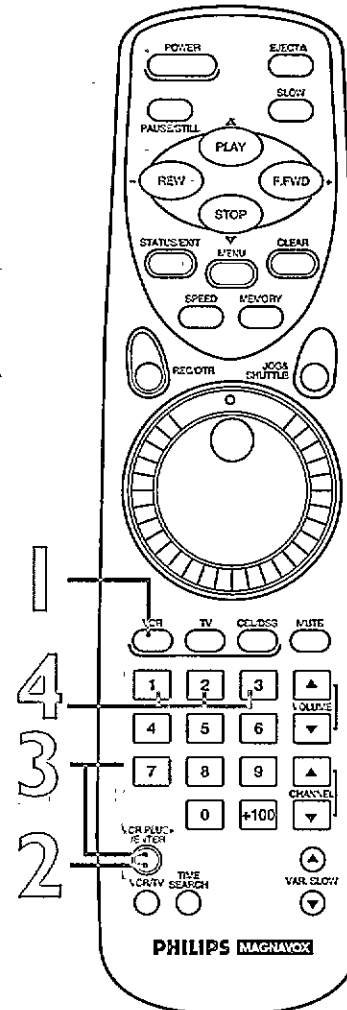
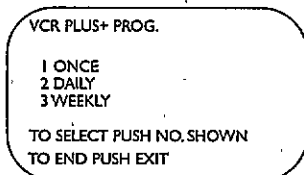
3

Press the **Number** buttons to enter the **PlusCode** programming number of the program you wish to record (this number is different for every program, and it can be four to eight digits long). **Finally, press the VCR PLUS+ /ENTER button.**



4

To record the program once, press the **Number 1** button to select **ONCE**. To record the same program every day from **Monday through Friday**, press the **Number 2** button to select **DAILY**. To record the same program every week on the same day (such as every **Saturday**), press the **Number 3** button to select **WEEKLY**.



## Helpful Hints

- If **CODE ERROR** flashes after you enter the **PlusCode** programming number and press the **VCR PLUS+ /ENTER** button, the number you entered was incorrect (for example, too short). If this happens, enter the correct number.
- **CLASH** may flash on the screen at step 3. This means that the timer recording you just programmed and another timer recording overlap, and thus the current timer recording will not be carried out.



## Timer Recording With the VCR Plus+ Programming System (cont'd) 41

5

Press the **Number 1** button to record in **SP** speed, the **Number 2** button to record in **LP** speed, or the **Number 3** button to record in **SLP** speed. Your selection will appear to the right of **REC SPEED** on-screen, although **SP=1 LP=2 SLP=3** will continue to flash. For details about tape speed, see page 36. You cannot use the (Tape) **SPEED** button at this time.

```
ONETIME PROGRAM
PROGRAM      1
CHANNEL      09
TIME ON      10:30 PM
TIME OFF     11:30 PM
REC SPEED    SLP
SP=1 LP=2 SLP=3
START DATE   10/10/97
              FRI
TO END PUSH EXIT
```

6

Press the **STATUS/EXIT** button. **PROGRAM WAS COMPLETED / PLEASE TURN OFF VCR FOR TIMER RECORDING** should appear on the screen. After three seconds, the on-screen display will disappear.

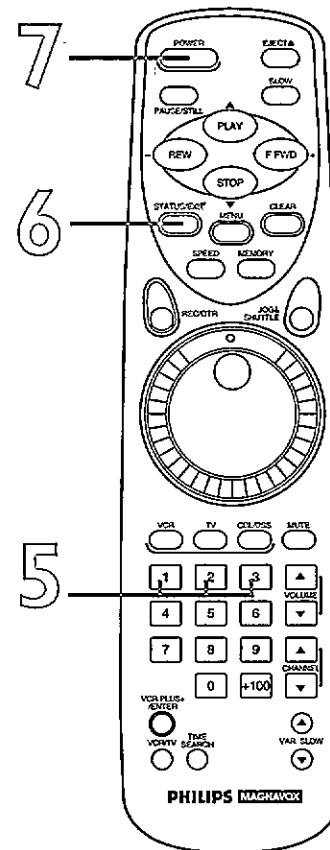
7

Press the **POWER** button to turn off the **VCR** power. The **Timer** light will appear. The **Timer** light will flash if there is not a tape in the **VCR**.

If the timer recording will take place several hours or days from now, you may use the **VCR** until time for the recording. Just turn off the **VCR** a few minutes before the recording starts.

**The VCR must be turned off for a timer recording to take place.** If you forget to turn off the **VCR**, **PLEASE TURN OFF VCR FOR TIMER RECORDING** flashes on your **TV** screen two minutes before a timer recording starts. You can remove the message by pressing the **CLEAR** button.

**The VCR must be off for a timer recording to take place! Make sure there is a tape in the VCR.**



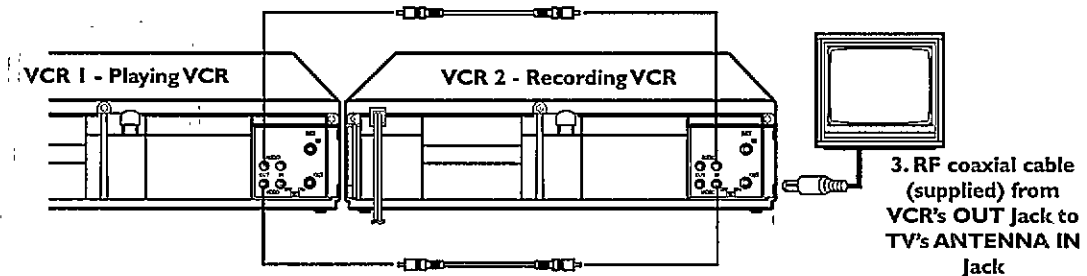
### Helpful Hints

- To exit the **VCR Plus+** programming system at any time, press the **STATUS/EXIT** button. The display will disappear from the **TV** screen.
- If the preset time for a timer recording comes up during an **OTR**, the **OTR** has priority.
- To stop a started timer recording, press the **STOP/EJECT** button on the **VCR**.
- If the power fails for more than one minute, programmed timer recordings may be lost. Reset the clock before re-programming the timer recordings.
- If you are using a **Cable Box/DSS Receiver**, timer recordings are programmed differently. See page eight for details.

See page 50 for more hints.

## 42 Rerecording (Tape Duplication)

1. Audio cable from AUDIO OUT Jack of VCR 1 to AUDIO IN Jack of VCR 2



2. Video cable from VIDEO OUT Jack of VCR 1 to VIDEO IN Jack of VCR 2

○ Audio and Video cables are not supplied.

The instructions on this page show you how to copy tapes. The illustration uses two VCRs just like yours. Different VCRs may operate differently.

*NOTE: Unauthorized recording of copyrighted television programs, video tapes, or other materials may infringe on the rights of copyright owners and violate copyright laws.*

1

**Make the connections shown above.**

2

VCR 1 will play your tape. Insert a prerecorded tape in VCR

1. If the tape does not have a record tab, playback begins. If this happens, press the STOP/EJECT button on VCR 1 once.

3

VCR 2 will record your tape. Insert a blank tape in VCR 2. Make sure the VCR 2 power is on and VCR 2 is in VCR position. (The VCR light will appear on the display panel. If it does not, press the VCR/TV button once.)

4

Turn the TV on and set it to channel 3 or 4, whichever channel the CH3/CH4 switch on VCR 2 is set to.

5

Point the remote control at VCR 2. Press Number buttons 0, 0, 1 or 0, 0, 2. (See Helpful Hints at right.)

6

Point the remote control at VCR 2. Use the (Tape) SPEED button to select SP, LP or SLP.

7

Press the PLAY button on VCR 1 and the REC(ord)/OTR button on VCR 2 at the same time.

To stop recording, press the STOP/EJECT button on VCR 1, then press the STOP/EJECT button on VCR 2.

### Helpful Hints

- If you use the AUDIO IN and VIDEO IN Jacks on the back of VCR 2, press Number buttons 0, 0, 1. AV REAR will appear on-screen.
- If you use the AUDIO IN and VIDEO IN Jacks on the front of VCR 2, press Number buttons 0, 0, 2. AV FRONT will appear on-screen.

## Repeat Playback 43

### Repeat Playback

Follow the steps below to program the VCR to play a tape over and over.

1

Press the **VCR** button.

2

Press the **MENU** button to bring up the main menu display.

TO SELECT PUSH NO. SHOWN

- 1 PROGRAM
- 2 VCR SET UP
- 3 TUNER SET UP
- 4 SET CLOCK

TO END PUSH EXIT

3

Press the **Number 2** button to select VCR SET UP.

TO SELECT PUSH NO. SHOWN

- 1 REPEAT PLAY      OFF
- 2 ON SCREEN MODE
- 3 LANGUAGE
- 4 VCR PLUS+ REE. MAP

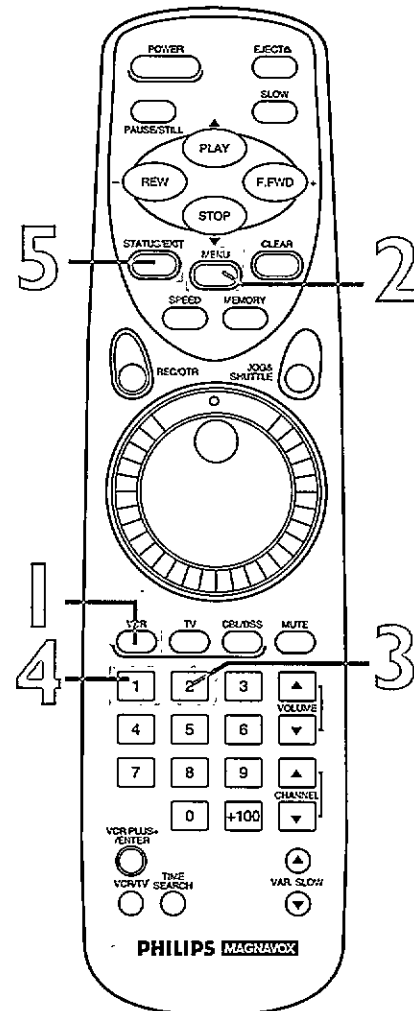
TO END PUSH EXIT

4

Press the **Number 1** button so that ON appears to the right of REPEAT PLAY on-screen.

5

Press the **STATUS/EXIT** button to exit. Now, when a tape has finished playing, the VCR will rewind it and start playback again. (TV programming will appear while the tape is rewinding.)



### Helpful Hints

- The VCR will stay in Repeat Play mode until you cancel Repeat Play mode. To do this, follow steps 1 - 3 above. At step 4, press the Number 1 button so that OFF appears to the right of REPEAT PLAY. Press the STATUS/EXIT button to exit.
- The real time counter memory does not function during Repeat Play mode.

## 44 Time Search

### Time Search

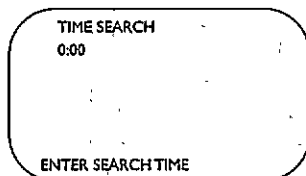
Follow the steps below to program the VCR to search forward or backward a specific length of time.

1

Press the **VCR** button.

2

Press the **TIME SEARCH** button to bring up the time search display. There must be a tape in the VCR.

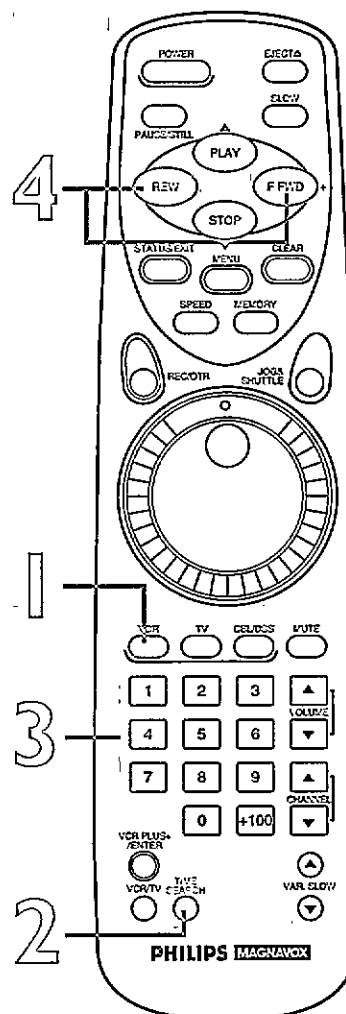


3

Within 10 seconds, use the **Number** buttons to enter the desired length of time you want to skip forward or backward. For example, for 1 hour, 25 minutes, press Number buttons 1, 2, 5. Or, for five minutes, press Number buttons 0, 0, 5. (Make an entry within 10 seconds of pressing the **TIME SEARCH** button. Otherwise, the VCR will exit Time Search mode.)

4

Within 10 seconds, press the **F.FWD** button or the **REW(ind)** button to skip forward or backward. The VCR will skip over the specified length of time, then begin playback. (The time counts down on-screen as the searching progresses.)



### Helpful Hints

- If you want to search for more than 59 minutes, you must enter the length of time in hours and minutes. For example, to search forward 70 minutes, press 1, 1, 0 at step 3.
- You can not enter the **TIME SEARCH** menu when you are in Recording mode.
- You can remove the Time Search display by pressing the **TIME SEARCH** button again.
- To cancel the Time Search when the VCR is fast forwarding or rewinding, press the **STOP** button once or the **TIME SEARCH** button twice.

# Real Time Counter Memory 45

## Real Time Counter Memory

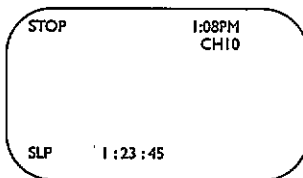
Follow the steps below to reset the real time counter to zero at a tape location you want to refer to later.

1

Play, fast forward, or rewind a tape to the location that you would like to refer to later. Press the **STOP** button to stop the tape.

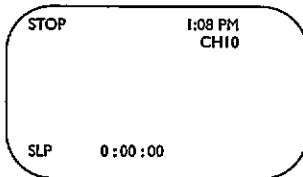
2

Press the **STATUS/EXIT** button. The status display will appear on-screen for about five seconds.



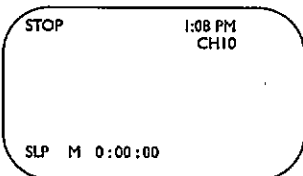
3

While the status display is still on-screen, press the **CLEAR** button to reset the real time counter to zero.



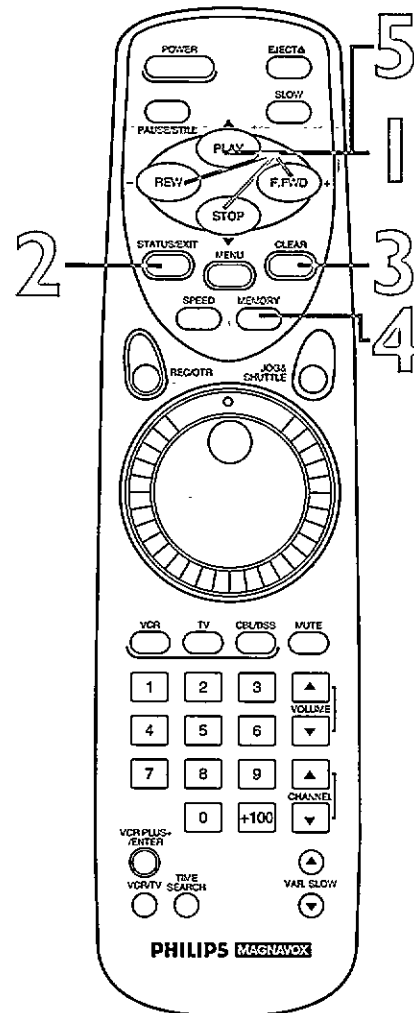
4

While the real time counter is still on-screen, press the **MEMORY** button so that **M** appears to the left of the real time counter on-screen.



5

To go to a tape location where the real time counter was reset to zero, press the **REW(ind)** button or the **F.FWD** button when playback is stopped. When the tape reaches the point at which the real time counter was reset to zero, the tape will stop. Press the **PLAY** button to watch the tape.



### Helpful Hints

- The **MEMORY** button does not function when **REPEAT PLAY** is set to **ON**. To turn **REPEAT PLAY OFF**, see the *Helpful Hints* on page 43.
- To erase a **Real Time Counter Memory**, press the **MEMORY** button until the **M** disappears from the screen.
- You may only set the real time counter to zero at one location at a time. If you try to set the real time counter to zero at a second location, the previous real time counter to zero setting will be erased.

## 46 Special Effects Playback

### Forward and Reverse Searching (SP/LP/SLP)

1

When in Play mode, press and release the **F.FWD** button or the **REW(ind)** button. A fast forward or reverse picture search will begin.

2

To return to playback, press the **PLAY** button.

### Super High Speed Searching (LP/SLP)

1

When in Play mode, press the **F.FWD** button or the **REW(ind)** button, then press again. The VCR will now search in super high speed.

2

To return to normal playback, press the **PLAY** button.

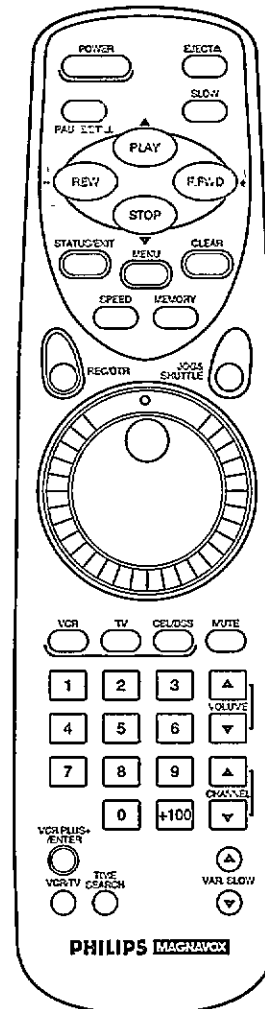
### Viewing a Still Picture

1

When in Play mode, press the **PAUSE/STILL** button. A still picture (frozen image) will appear on-screen.

2

To release the still picture and return to normal playback, press the **PLAY** button or press the **PAUSE/STILL** button again.



### Helpful Hints

- *Slow and Still modes will automatically switch to Stop mode after five minutes to protect the VCR and the tape from damage.*
- *SP/LP/SLP means this feature will work with tapes recorded in Standard Play, Long Play, or Super Long Play.*
- *LP/SLP means this feature will work with tapes recorded in Long Play or Super Long Play. For details about tape speed, see pages 36 and 52.*
- *To reduce vertical jitter in a Still picture, press the CHANNEL (Up/Down) buttons on the VCR.*

## Special Effects Playback (cont'd) 47

### Viewing a Slow Motion Picture

1

When in Play mode, press the **SLOW** button. The tape will play in slow motion.

**NOTE:** You can control the speed of slow motion playback by pressing the **VAR(iable). SLOW** buttons.

2

To release Slow mode and return to normal playback, press the **PLAY** button or press the **SLOW** button again.

### Viewing a Picture in Slow to Fast Motion

1

Press the **JOG & SHUTTLE** button while in the Play or Still mode. The Jog & Shuttle Light comes on. If you do not operate the Jog Dial or Shuttle Ring within 30 seconds, the Jog & Shuttle light will go off.

2

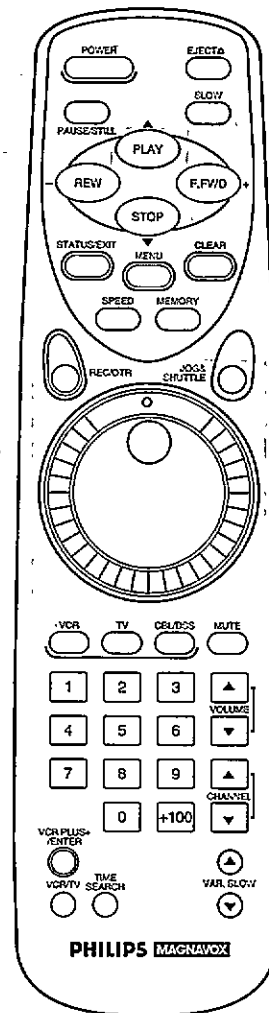
Turn the Shuttle Ring in either direction and hold it. The more the ring is rotated, the faster the search speed will be. Releasing the ring stops the picture in the Still mode.

3

Turn the Jog dial in either direction for frame-by-frame control. The faster the dial is rotated, the faster the search will be. Releasing the dial stops the picture in the Still mode.

4

Press the **PLAY** button to release the Still mode.



## 48 Automatic Operation Features

---

The following playback features will always operate:

### **Automatic Playback**

When you put a tape in the VCR, the power will come on automatically. If the tape's record tab is missing, playback will begin. If a timer recording is set, the power will not come on automatically when you insert a tape with the record tab intact. If a timer recording is set and the VCR power is off, the VCR will eject the tape if the record tab is missing.

### **Automatic Rewind, Eject, Off**

When a tape is played, fast forwarded, or recorded to its end, the VCR will rewind the tape, go into the Stop mode, eject the tape, then turn itself off.

If the real time counter memory is set, the VCR will only rewind to the point at which the counter is set to zero, then stop. The VCR will not eject the tape automatically or shut itself off.

### **Tape Eject**

A tape can be ejected with the VCR power on or off (but the VCR must be plugged in). If a Timer Recording is programmed, a tape can only be ejected with the power on. Make sure you insert a tape and turn off the VCR power for the Timer Recording.

### **Automatic Tracking Adjustment**

The VCR continually adjusts tracking automatically to give you the best possible picture quality. With some recordings, however, you may get a better picture using the manual tracking controls (see page 49).



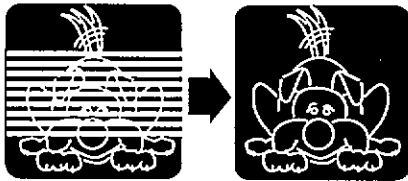
### Manual Tracking

To adjust the tracking manually, press the CHANNEL (Up/Down) buttons **on the VCR** during tape playback.

#### NOTES:

- This function is controlled only by the CHANNEL (Up/Down) buttons **on the VCR**. The CHANNEL (Up/Down) buttons on the remote control will not adjust tracking.
- To return tracking to the position it was in when the VCR was shipped from the factory, press the CHANNEL (Up) and CHANNEL (Down) buttons **on the VCR at the same time**.
- Tracking is returned to auto tracking when a tape is inserted, or when the STOP button is pressed to halt playback.
- When the VCR is in Slow mode, auto tracking will not work. Instead, use the CHANNEL (Up/Down) buttons **on the VCR** to reduce noise lines in slow motion playback.
- Manual tracking will not operate when the VCR is in Still mode. If you want to reduce noise lines in a still picture, place the VCR in Slow mode. Use the CHANNEL (Up/Down) buttons **on the VCR** to remove the noise lines. Then return to Still mode.

Before  
Tracking  
Adjustment



After  
Tracking  
Adjustment

## 50 Helpful Hints

---

If you are having problems with your VCR, check the following list of problems and possible solutions before requesting service. You may be able to solve the problem yourself.

### **No power**

- Make sure the power plug is completely connected to an AC (alternating current) outlet.
- Make sure the power is turned on.

### **Power Failure**

- Timer recordings and the clock setting may be lost if the power fails for more than one minute. See pages 14-17 to reset your clock. See pages 34 - 41 to reprogram your timer recordings.

### **A TV program cannot be recorded.**

- Check the connections between the VCR, TV, antenna/cable, and Cable Box/Digital Satellite System (if applicable) (pages six-10).
- Make sure the tape has a record tab (page five).
- Check the TV/VCR position (page 27).
- Check the CH3/CH4 switch (pages six-nine).

### **The VCR will not perform a timer recording.**

- Make sure the recording start and stop times are set correctly (pages 34 - 41).
- Make sure a tape is in the VCR and the tape has a record tab (page five). If, after programming a timer recording, you turn off the VCR power without putting a tape in the VCR, the Timer light will blink.
- If the record tab on a tape is missing, the VCR will eject the tape. The Timer light will blink.
- Make sure the VCR power is off.
- Make sure the clock is set (pages 14-17).
- The VCR may not perform or continue a timer recording if a power interruption of more than one minute occurs during the timer recording, even if the power comes back on afterward.
- If you have a Cable Box, timer recordings are programmed differently. (See page eight for details.)
- It is best to finish programming a timer recording at least five minutes before the recording is scheduled to begin.
- 12 PM is noon; 12 AM is midnight.

### **There is no playback picture or the playback picture is noisy or contains streaks.**

- Make sure the TV and the Cable Box, if applicable, are on the same channel as the VCR's CH3/CH4 switch (pages six-nine).
- Make sure the VCR is in VCR position (page 27). The VCR light will appear on the display panel of the VCR when the VCR is in VCR position.
- Make sure channel 3 or 4 is properly adjusted at the TV.
- Adjust the tracking (pages 48 - 49).

### **The VCR cannot be controlled with the remote control.**

- Make sure the VCR light appears on the VCR display panel. If it does not, press the VCR/TV button once.
- Aim the remote control directly at the VCR's remote sensor (page 27).
- Remove all obstacles between the remote control and the VCR.
- Inspect and/or replace the batteries in the remote control (page five).
- Press the VCR button, then try the other VCR function buttons.

### **The Number buttons won't work for channels above 69.**

- Select CABLE TV at the TUNER SET UP menu (page 12), then let the VCR program the channels.

## Helpful Hints (cont'd) 51

---

### **TV programs cannot be watched normally.**

- Put the VCR in TV position. (Press the VCR/TV button so that the VCR light disappears from the display panel. For details see pages 22 and 27.)
- Check the connections between the VCR, TV, antenna/cable, and Cable Box/Digital Satellite System (if applicable). (See pages six-10 for details.)

### **Tape cannot be inserted.**

- Insert the tape, window side up, with the record tab facing you.
- Make sure a tape isn't already in the VCR by pressing the STOP/EJECT button on the VCR.
- Gently push on the center of the tape when putting it in the VCR. Never force the tape into the VCR.
- If a timer recording is programmed and the VCR power is off, you can not insert a tape without a record tab.

### **Tape cannot be removed.**

- Make sure the power plug is completely connected to an AC (alternating current) outlet.
- You have set a timer recording. Turn the VCR power on, then eject the tape. Be sure to insert a tape and turn off the power for your timer recording.

### **VCR ejects the tape when the REC(ord)/OTR button is pressed or when the VCR power is turned off to set a timer recording.**

- Make sure the tape has a record tab (page five).

### **Channels above 13 cannot be received.**

- Select CABLE TV at the TUNER SET UP menu (page 12), then let the VCR program the channels.

### **Poor reception**

- You may need to tune your TV again.

### **The motor (cylinder) rotates even when the VCR is in Stop mode.**

- To enable the quick play mechanism, the cylinder will rotate for about five minutes. This is normal.

### **Satellite Hookups**

- Watching one TV channel while recording another may not be possible if you have a satellite hookup. You may have to set your TV to channel 3 or 4, then make your channel selections at the satellite converter box.
- With many satellite hookups, if you use accessory audio and video cables to connect your VCR to your TV, you will have to put your VCR in Line Input mode. To enter Line Input mode, press 0, 0, 1 or 0, 0, 2 on the VCR's remote control. AV REAR or AV FRONT will appear on your TV screen briefly.

### **Line Input mode**

- If you accidentally enter Line Input mode (AV FRONT or AV REAR will appear on your TV screen briefly), press the CHANNEL (Up/Down) buttons or use the Number buttons to select another channel.

### **Daylight-Saving Time**

- When automatic Daylight-Saving Time is set, the clock time will change automatically as follows: on the first Sunday in April, from 2 AM to 3 AM; on the last Sunday in October, from 2 AM to 1 AM.
- During the April time change, a timer recording programmed to start between 2 AM and 3 AM will not record. A timer recording programmed to end between 2 AM and 3 AM will end when the clock moves forward (2 AM).
- During the October time change, a recording cannot be started between the second 1 AM and 1:59 AM.

## 52 Glossary

---

**AUDIO IN/OUT Jacks:** jacks located on the front and back of the VCR which are used to record audio from another source (IN) or to send audio to another source (OUT).

**Automatic Channel Programming:** process in which the VCR scans all available channels and places the ones you receive in its memory. Then, when you push the CHANNEL (Up/Down) buttons, you only scan through channels you receive.

**Bands:** settings that allow you to tune channels.

- **Antenna** – VHF (very high frequency; channels 2 - 13) and UHF (ultra high frequency; channels 14 - 69).
- **Cable** – all standard channels can be received without a Cable Box.

**Cable Box/DSS Receiver Output Channel:** Channel 03 or 04.

**Dubbing:** copying a tape using a second VCR.

**Frame:** a single still picture.

**HQ:** high quality; a feature in the VCR circuitry which provides enhanced picture detail.

**Line Input:** The channel to which you set your VCR during dubbing. The line input channel is always channel 001 (AV REAR) or 002 (AV FRONT).

If you accidentally enter Line Input mode (AV REAR or AV FRONT will appear on your TV screen briefly), press the CHANNEL (Up/Down) buttons or use the Number buttons to select another channel.

**Mode:** a VCR operation.

**OTR:** one touch recording; programming a timed recording that starts immediately and records for 30 minutes to eight hours, whichever you specify.

**Remote Control:** the small electronic unit that came with your VCR; allows you to operate your VCR from a distance. You may be able to operate your TV, Cable Box or Digital Satellite System with the remote control.

**RF coaxial cable:** The cable supplied with your VCR. Use it to connect your VCR to your TV (or Cable Box/DSS Receiver, if applicable). The supplied cable is a snap-on type. However, you may also use a screw-on type if you prefer.

**Special Effects:** forward and reverse searching; viewing a still picture; slow motion.

**Tape Speeds:** how fast the tape travels during a recording.

- **SP** (standard play) – fastest tape speed (recording time for a T120 tape is approximately two hours); best picture quality.
- **LP** (long play) – average tape speed (recording time for a T120 tape is approximately four hours).
- **SLP** (super long play) – slowest tape speed (recording time for a T120 tape is approximately six hours).

**VCR:** video cassette recorder.

**VIDEO IN/OUT Jacks:** jacks located on the front and back of the VCR which are used to record video from another source (IN) or send video to another source (OUT).

**Video Heads**

Four heads

**Video Signal**

EIA standards; NTSC color

**Antenna**

VHF/UHF – 75 ohm external antenna terminal

**VHF Output Signal**

Channel 3 or 4 (switchable)

75 ohms unbalanced

**Power Requirement**

120V AC; 60Hz

**Power Consumption**

17W

**Operating Temperature**

41°F (5°C) to 104°F (40°C)

**Relative Humidity**

10% to 80%

**Weight**

5.95 lbs. (2.7 kg.)

**Dimensions**

14-3/16" (W) x 3-1/16" (H) x 10" (D)

(360 mm x 92mm x 230mm)

**Tuner Broadcast Channels**

VHF 2-13, UHF 14-69

**Cable TV Channels**

2-13

Midband: A – I

Superband: J – W

Hyperband: A-5 – A-1

Special Channel: 5A

Ultraband: 37 – 94, 100 – 125

*NOTE: Designs and specifications are subject to change without notice.*

# 54 Limited Warranty

## VIDEO CASSETTE RECORDER

90 Days Free Labor/One Year Parts Exchange. This product must be carried in for repair.

### WHO IS COVERED?

You must have proof of purchase to receive warranty service. A sales receipt or other document showing that you purchased the product is considered proof of purchase.

### WHAT IS COVERED?

Warranty coverage begins the day you buy your product. For 90 days thereafter, all parts will be repaired or replaced, and labor is free. From 90 days to one year from the day of purchase, all parts will be repaired or replaced, but you pay for all labor charges. After one year from the day of purchase, you pay for the replacement or repair of all parts, and for all labor charges.

All parts, including repaired and replaced parts, are covered only for the original warranty period. When the warranty on the product expires, the warranty on all replaced and repaired parts also expires.

### WHAT IS EXCLUDED?

Your warranty does not cover:

- labor charges for installation or setup of the product, adjustment of customer controls on the product, and installation or repair of antenna systems outside of the product.
- product repair and/or part replacement because of misuse, accident, unauthorized repair or other cause not within the control of Philips Consumer Electronics Company.
- reception problems caused by signal conditions or cable or antenna systems outside the unit.
- a product that requires modification or adaptation to enable it to operate in any country other than the country for which it was designed, manufactured, approved and/or authorized, or repair of products damaged by these modifications.
- incidental or consequential damages resulting from the product. (Some states do not allow the exclusion of incidental or consequential damages, so the above exclusion may not apply to you. This includes, but is not limited to, prerecorded material, whether copyrighted or not copyrighted.)
- damage caused by the use of non-VHS tapes or tapes that have not been tested and labeled for use in two, four, six, and eight hour VHS recorders.
- a product that is used for commercial or institutional purposes (including but not limited to rental purposes).

### WHERE IS SERVICE AVAILABLE?

Warranty service is available in all countries where the product is officially distributed by Philips Consumer Electronics Company. In countries where Philips Consumer Electronics Company does not distribute the product, the local Philips service organization will attempt to provide service (although there

may be a delay if the appropriate spare parts and technical manual(s) are not readily available).

### MAKE SURE YOU KEEP..

Please keep your sales receipt or other document showing proof of purchase. Attach it to this owner's manual and keep both nearby. Also keep the original box and packing material in case you need to return your product.

### BEFORE REQUESTING SERVICE...

Please check your owner's manual before requesting service. Adjustments of the controls discussed there may save you a service call.

### TO GET WARRANTY SERVICE IN U.S.A., PUERTO RICO OR U.S. VIRGIN ISLANDS...

Take the product to a Philips factory service center (see enclosed list) or authorized service center for repair. When the product has been repaired, you must pick up the unit at the center. Centers may keep defective parts.

(In U.S.A., Puerto Rico and U.S. Virgin Islands, all implied warranties, including implied warranties of merchantability and fitness for a particular purpose, are limited in duration to the duration of this express warranty. Because some states do not allow limitations on how long an implied warranty may last, this limitation may not apply to you.)

### TO GET WARRANTY SERVICE IN CANADA...

Please contact Philips at:

1-800-661-6162 (French Speaking)

1-800-363-7278 (English Speaking)

(In Canada, this warranty is given in lieu of all other warranties. No other warranties are expressed or implied, including any implied warranties of merchantability or fitness for a particular purpose. Philips is not liable under any circumstances for any direct, indirect, special, incidental, or consequential damages, howsoever incurred, even if notified of the possibility of such damages.)

### REMEMBER...

Please record below the model and serial numbers found on the product. Also, please fill out and mail your warranty registration card promptly. It will be easier for us to notify you if necessary.

MODEL # \_\_\_\_\_

SERIAL # \_\_\_\_\_

*This warranty gives you specific legal rights. You may have other rights which vary from state to state.*

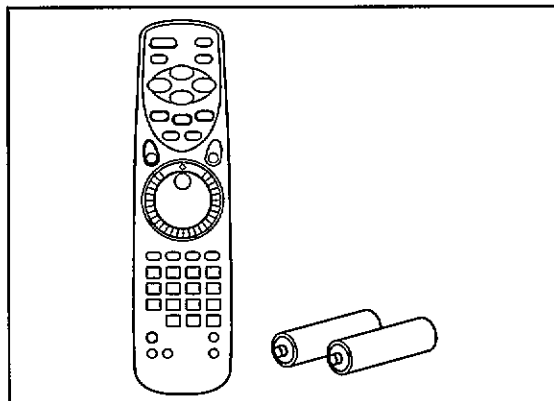
Philips Service Company, P.O. Box 555, Jefferson City, Tennessee 37760, (423) 475-8869

EL4946E007 / MAC 6108/ 1-97

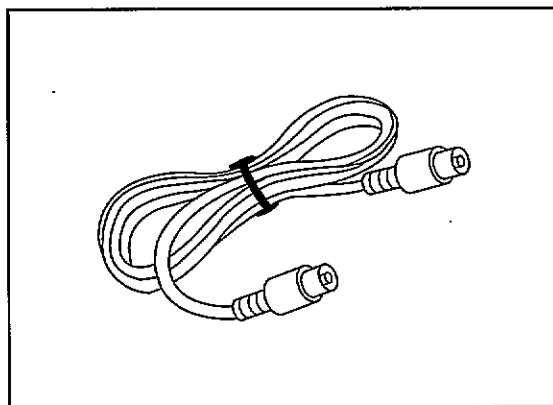
ac power cord.....28	memory button .....24, 45	stop/eject button .....26
accessories .....56	menu button .....23	super high speed searching .....46
ant(enna) in jack .....6-10, 28	mute button .....24	super long play .....36, 52
audio in/out jacks..10, 26, 28, 42, 52	number buttons .....23	table of contents .....4
automatic	on screen off mode.....29	tape
playback .....48	on screen on mode.....29	duplication.....42
rewind, eject, off.....48	on screen status displays.....29	eject.....22, 26, 48
batteries .....5	one touch recording .....33	speed.....36, 52
cassette compartment.....25	out jack.....6-9, 28	timer
cassette-inside light.....25	pause button .....27	(setting).....14-17
cbl/dss button.....5, 21-22	pause/still button.....22, 31, 46	timer
ch3/ch4 switch.....6-9, 28	play button .....22, 26, 30, 46-47	light .....25
channel	playing .....30	recording
above 100.....23	power	cancelling.....37
adding .....13	button .....22, 26	checking.....37
deleting .....13	cord .....28	setting.....34-37
memory .....12	pwr:(power) light .....25	with vcr plus+ programming
programming .....12	rear panel.....28	system.....38-41
reviewing .....13	rec/otr button.....23, 26, 31, 33	tracking.....48-49
up/down buttons .....24, 26, 49	rec(ord) light.....25	tv
clear button .....24, 45	record tab.....5	button.....5, 20, 22
clock/feature display.....25	recording	controls.....5, 20, 22-24
clock setting.....14-17	basic.....31	hookups .....6-10
connections.....6-10, 42	one channel/	position .....22, 27
contents, table of.....4	watching another.....32	var(iable). slow buttons.....24, 47
controls	timer.....34-37	vcr
remote .....22-24	with the vcr plus+	button .....5, 22
vcr .....26-27	programming system .....38-41	light .....25
counter only mode.....29	remote control	plus+
daylight-saving time.....18	buttons.....22-24	programming system .....38-41
display panel .....25	sensor.....27	plus+/enter button .....24, 40
duplication .....42	using.....5	position .....22, 27
eject button.....22	repeat playback.....43	vcr/tv button .....22, 27
erase prevention.....5	rerecording.....42	video
f.fwd button.....23, 27, 46	rew(ind) button.....23, 27, 46	in/out jacks.....10, 26, 28, 42, 52
front panel .....26-27	rf coaxial cable.....6-9, 42, 52	volume up/down buttons.....24
glossary .....52	safety precautions .....3	warranty.....54
helpful hints .....50-51	satellite hookups.....51	
hookups	searching .....46	
with cable box/dss receiver..8-9	sensor (remote).....27	
with stereo tv.....10	shuttle ring.....23, 47	
without cable box.....6-7	slow	
jog & shuttle button .....23, 47	button .....23	
jog dial.....23, 47	motion.....47	
language selection .....11, 19	slp .....36, 52	
line input mode .....12, 42, 52	sp .....36, 52	
long play.....36, 52	speed button.....22	
lp .....36, 52	standard play.....36, 52	
	status display.....29	
	status/exit button .....22, 29	
	still picture.....46	
	stop button .....22	

# SUPPLIED ACCESSORIES

**Check to be sure the items on this page are packed with your VCR. These accessories are provided to help you use or set up your VCR.**



**Remote Control 4835 218 37204  
Two "AA" Batteries 4835 138 17012**



**RF Coaxial Cable, 75 ohm 4835 323 27011**

***If any of these items are not included, or if you need to replace an item, contact Philips Service Company at the address below.***

***Philips Service Company  
P.O. Box 967  
Greeneville, TN 37744-0967***

***Or, call 1-800-851-8885.***



## Free Manuals Download Website

<http://myh66.com>

<http://usermanuals.us>

<http://www.somanuals.com>

<http://www.4manuals.cc>

<http://www.manual-lib.com>

<http://www.404manual.com>

<http://www.luxmanual.com>

<http://aubethermostatmanual.com>

Golf course search by state

<http://golfingnear.com>

Email search by domain

<http://emailbydomain.com>

Auto manuals search

<http://auto.somanuals.com>

TV manuals search

<http://tv.somanuals.com>