

**Model No.** ▶ DC18WA

**Description** ▶ Charger

## CONCEPT AND MAIN APPLICATIONS

Model DC18WA is a Makita charger developed specially for charging new slide-style Li-ion batteries.

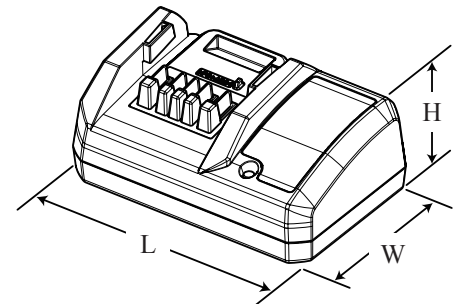
New Makita Li-ion batteries model BL1411G (14.4V-1.1Ah) and model BL1811G (18V-1.1Ah) can be charged approximately in 60 minutes. But the maktec band Li-ion batteries designed with the same concept, model L1451 (14.4V-1.1Ah) and model L1851(18V-1.1Ah) cannot be charged.

In order to achieve a cost-competitive advantage, this charger is not equipped with:

- Optimum charging system
- Forced air-cooling system

Also note that it is not compatible with:

- ADP01 Interchangeable adapter
- ADP02 Refreshing adapter
- ADP03 Automatic refreshing adapter
- ADP04 Interchangeable adapter



Dimensions: mm (")	
Length (L)	150 (5-7/8)
Width (W)	100 (3-15/16)
Height (H)	65 (2-9/16)

## ▶ Specification

Voltage (V)	Current (A)	Cycle (Hz)	Continuous Rating (W)		Standby power (W)
			Input	Output	
110 - 120	/	50/60	41	/	0.3
100 - 240	/	50/60	41	/	0.3
220 - 240	/	50/60	41	/	0.3

Output voltage	DC 14.4 - 18V
Output current	DC 1.65 - 1.1A
Charging time*	approx. 60 min.
Protection against electric shock	Double insulation/ Grounding
Power supply cord: m (ft)	2.0 (6.6)
Weight according to EPTA-Procedure 01/2003: kg (lbs)	0.35 (0.77)

\*The charging time may depend on various conditions such as room temperature, the condition of battery, etc.

## ▶ Standard equipment

No

## ▶ Optional accessories

No

## ► Repair

**CAUTION:** Disconnect the charger from the power source for safety before repair/ maintenance!  
**DC18WA has two different kinds of specifications. Distinguish them by name plate “DC18WA” and “DC18WA U” and follow each instruction. Do not use the different parts in repair.**

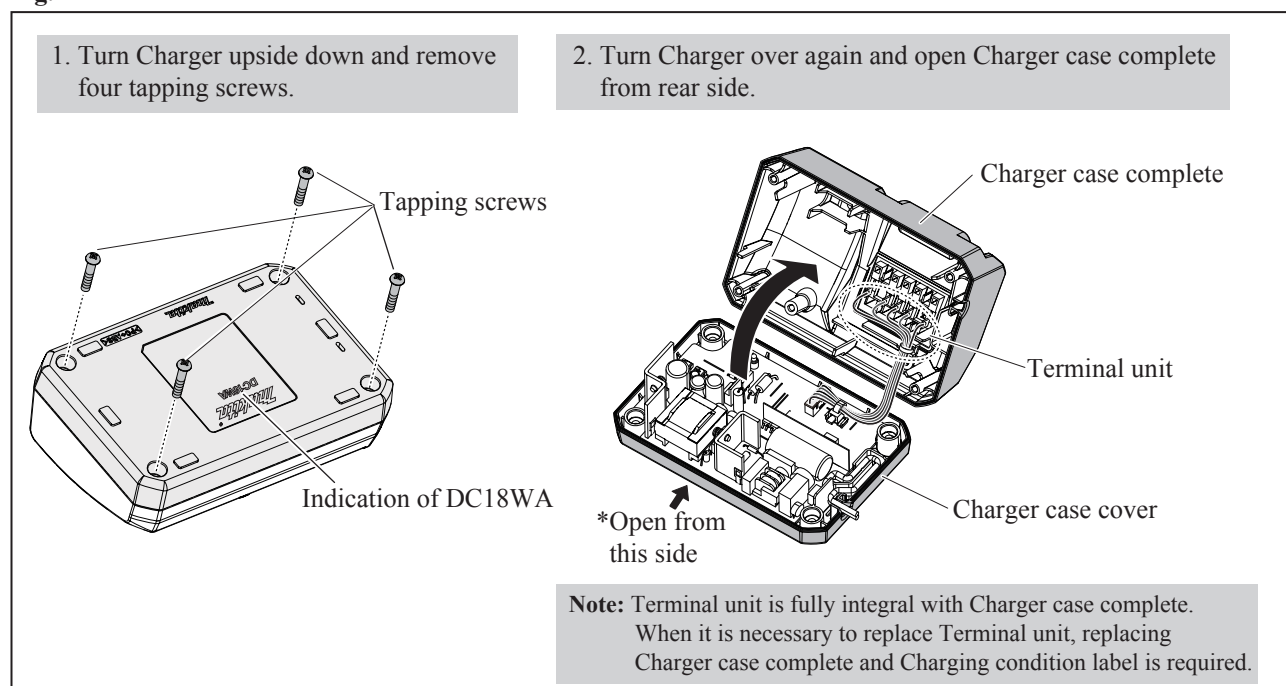
### [1] DISASSEMBLY/ASSEMBLY FOR DC18WA

#### [1] -1. Terminal unit and Charger case complete

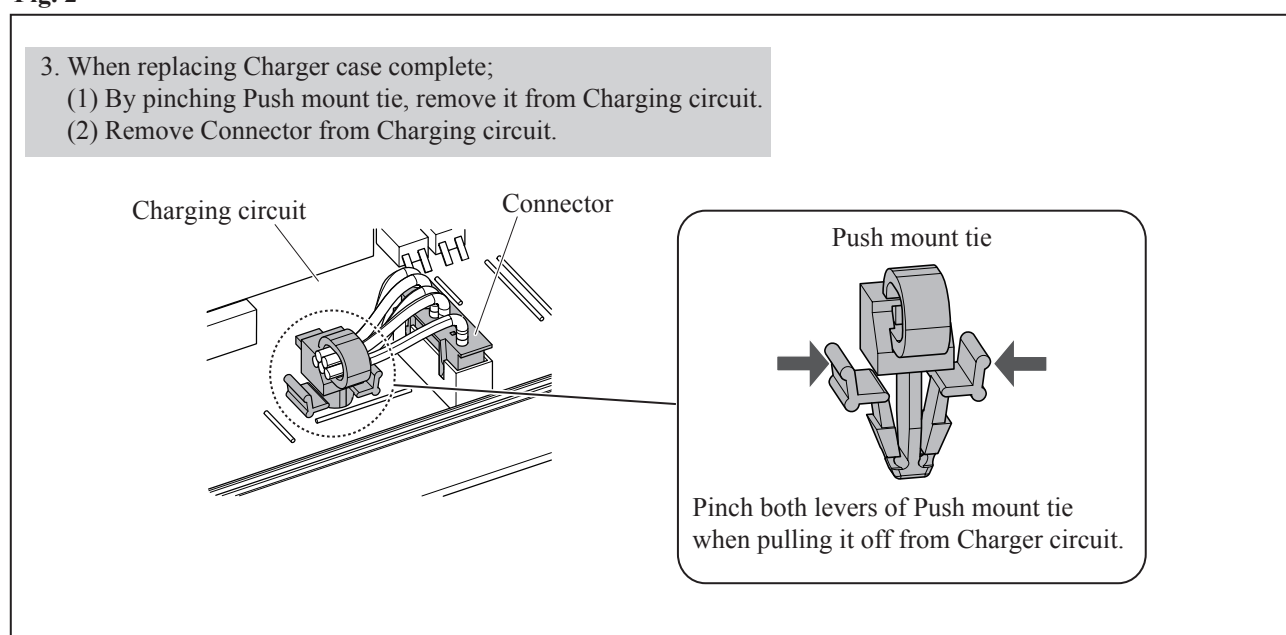
##### DISASSEMBLING

Replace Charger case complete as drawn in **Figs. 1 and 2**.

**Fig. 1**



**Fig. 2**



## ► Repair

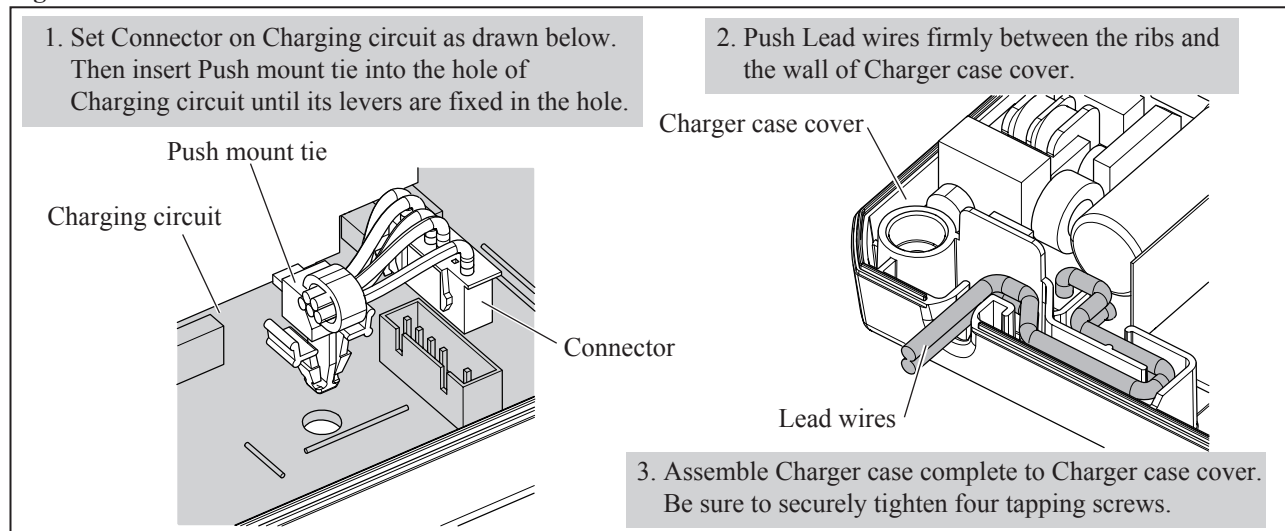
### [1] DISASSEMBLY/ASSEMBLY FOR DC18WA

#### [1] -1. Terminal unit and Charger case complete (cont.)

##### ASSEMBLING

Assemble Charger case cover and Charger case complete as drawn in **Fig. 3**.

**Fig. 3**



#### [1] -2. Replacing Varistor and Fuse

- (1) If the cause of Battery charger trouble is the breakage of Varistor and Fuse, you need not replace Charging circuit, but simply replace Varistor and Fuse.

**Sign of Varistor breakage:**

Cracks exists in the surface of Varistor.

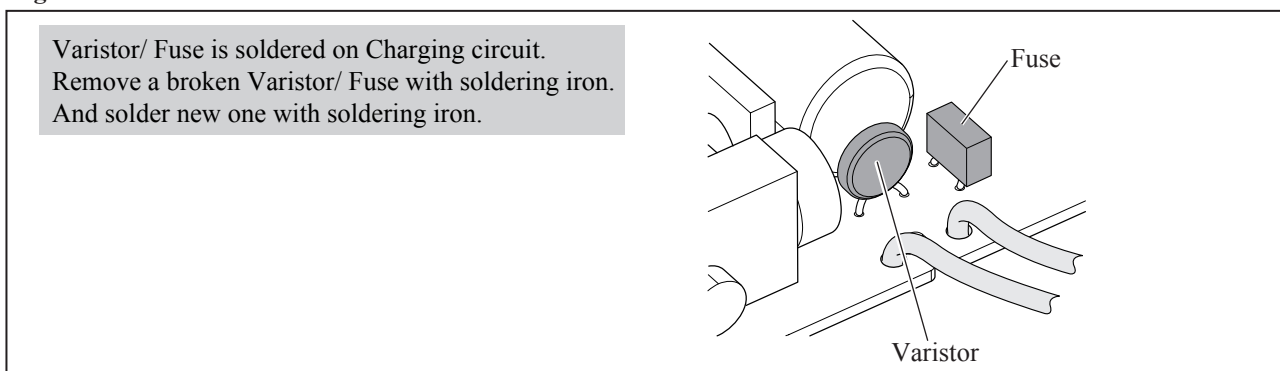
**Cause of Varistor breakage:**

Charger is plugged in a power source of two times or more than the rated voltage of Varistor.

**Note:** If Fuse has burned out meanwhile Varistor is not broken, something else in Charging circuit is probably causing the trouble. In this case, replace Charger circuit.

- (2) Replace Varistor and Fuse. (**Fig. 4**)

**Fig. 4**



## ► Repair

### [2] DISASSEMBLY/ASSEMBLY FOR DC18WA U

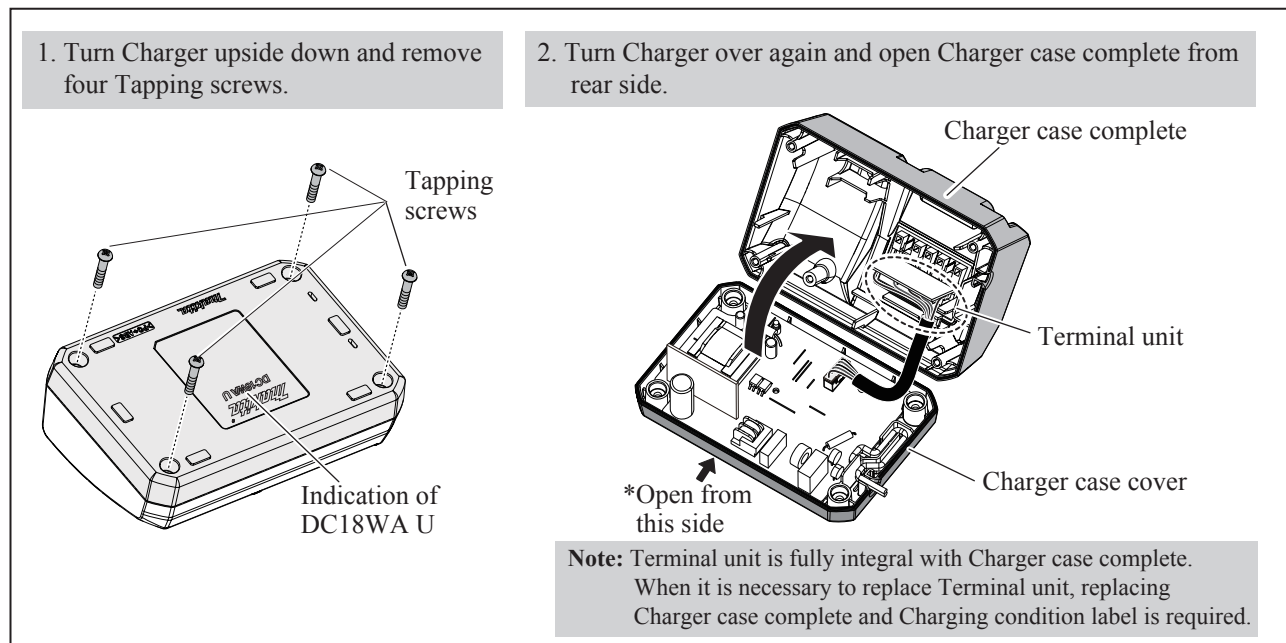
#### [2] -1. Terminal unit and Charger case complete

##### DISASSEMBLING

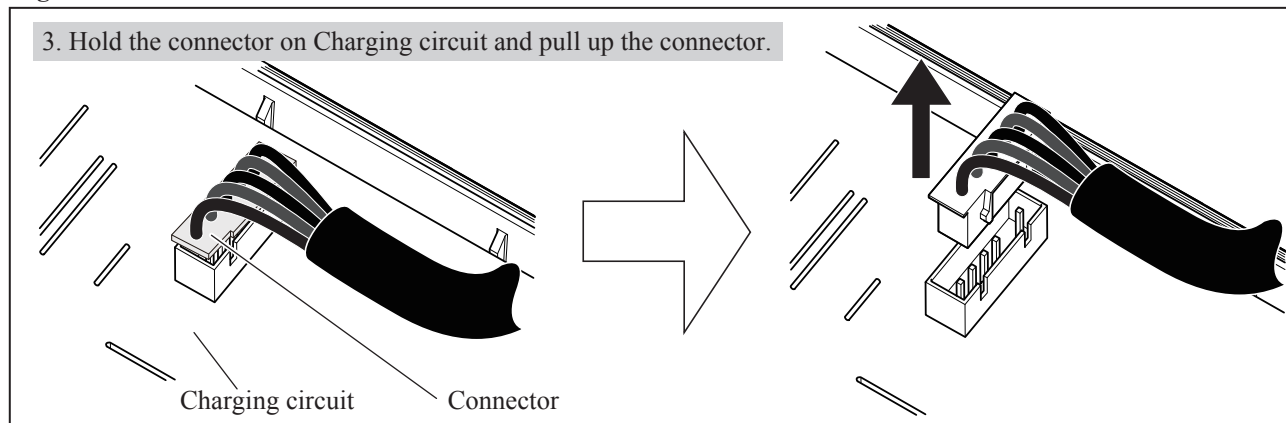
**Important:** After disconnecting the charger from electric outlet, wait more than 5 minutes before repairing work.

Replace Charger case complete as drawn in **Figs. 5 and 6**.

**Fig. 5**



**Fig. 6**

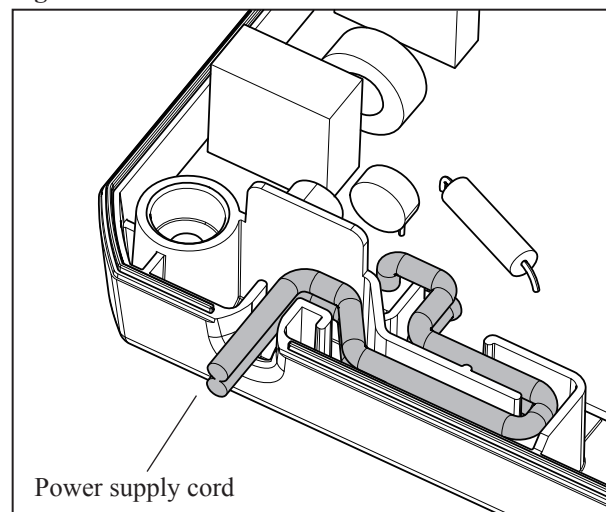


##### ASSEMBLING

Assemble Charger case complete to Charger case cover by reversing the disassembly procedure.

**Be sure to push Power supply cord firmly between the ribs and the wall of Charger case cover as drawn in Fig. 7.**

**Fig. 7**



## ► **Repair**

### **[2] DISASSEMBLY/ASSEMBLY FOR DC18WA U**

#### **[2] -2. Replacing Varistor and Fuse**

Neither Varistor nor Fuse is supplied for the repair.

When they have damages, replace Charging circuit with a new one.

## Free Manuals Download Website

<http://myh66.com>

<http://usermanuals.us>

<http://www.somanuals.com>

<http://www.4manuals.cc>

<http://www.manual-lib.com>

<http://www.404manual.com>

<http://www.luxmanual.com>

<http://aubethermostatmanual.com>

Golf course search by state

<http://golfingnear.com>

Email search by domain

<http://emailbydomain.com>

Auto manuals search

<http://auto.somanuals.com>

TV manuals search

<http://tv.somanuals.com>