

TECHNICAL INFORMATION



PRODUCT

P 1 / 5

Models No. ▶ BUB360

Description ▶ Cordless Blower 36V

CONCEPT AND MAIN APPLICATIONS

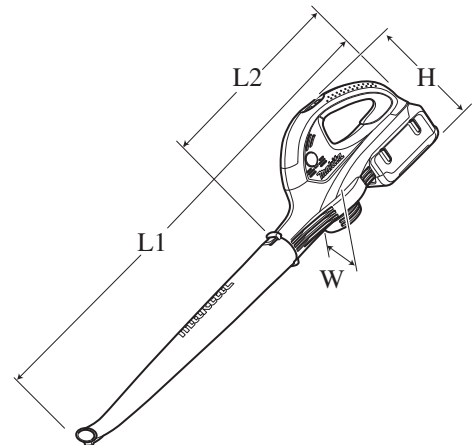
Model BUB360 is a cordless blower powered by 36V/ 2.6Ah Li-ion battery BL3626. This model will be one of the best choice for use especially in public spaces or among residential areas instead of gas-powered blowers.

Features High/ Low push button for two different air volume settings.

This product is available with the following model number and specifications.

Model No.	Charger	Battery	Battery cover
BUB360Z	No	No	No

The model also includes the accessory listed below in "Standard equipment".



Dimensions: mm (")	
Length (L1)	921 (36-1/4)
Length (L2)	436 (17-1/8)
Width (W)	142 (5-5/8)
Height (H)	204 (8)

*L1: Length with Long nozzle

*L2: Length with without Long nozzle

► Specification

Model No.		BUB360	
Battery	Voltage: V	36	
	Capacity: Ah	2.6	
	Cell	Li-ion	
	Charging time (approx.): min.	22 with DC36RA	
No load speed: min. ⁻¹ = rpm	High	17,000	
	Low	10,000	
Max air volume*1: m ³ /sec (m ³ /min.) [ft ³ /min.]	High	0.073 (4.4) [160]	
	Low	0.043 (2.6) [92]	
Max air velocity*2: m/sec	High	93	
	Low	57	
Air volume setting function		Yes (2 settings: High/ Low)	
Continuous run time (approx.) on a single full battery*1: min.	High	14	
	Low	30	
Vacuum function		No	
Variable speed control by trigger		No	
Weight according to EPTA-Procedure 01/2003*4: kg (lbs)		3.1 (6.8)	

*1 without Long nozzle

*2 with Long nozzle

*3 with Battery BL3626

*4 with Battery BL3626 and Long nozzle

► Standard equipment

Long nozzle 1

Shoulder strap 1

Note: The standard equipment for the tool shown above may differ by country.

► Optional accessories

Battery BL3626, Charger DC36RA, Battery adapter BAN36N

► Repair

CAUTION: Repair the machine in accordance with “Instruction manual” or “Safety instructions”.

[1] NECESSARY REPAIRING TOOLS

Description	Use for
Socket bit 8-55 (width across flats: 8mm)	Disassembling/ Assembling M5-8 Hex nut for Fan 95

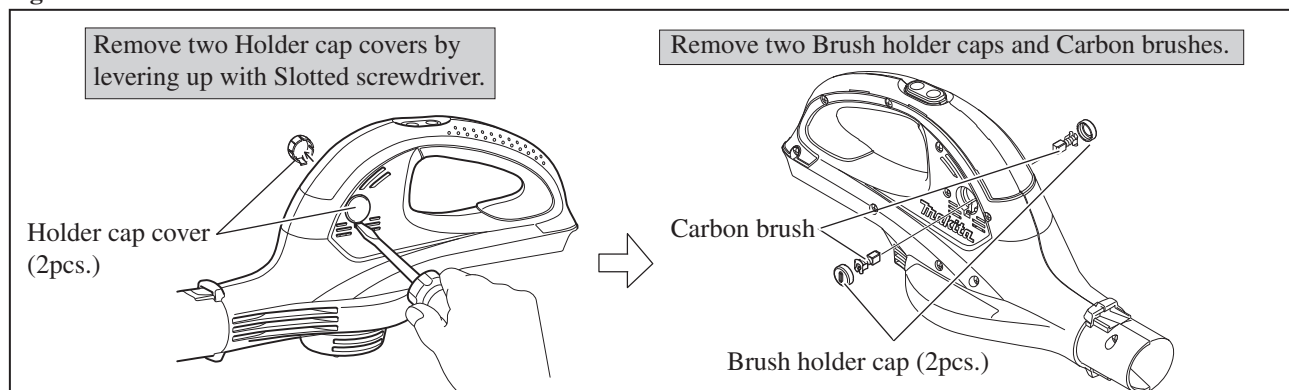
[2] DISASSEMBLY/ASSEMBLY

[2]-1. Fan, Armature

DISASSEMBLING

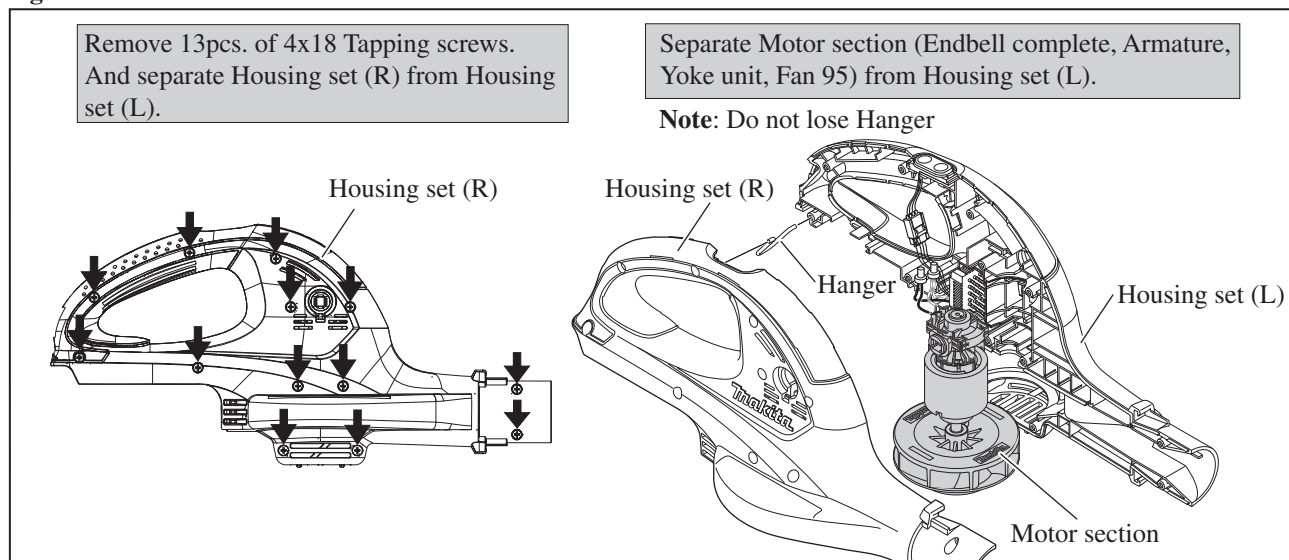
(1) Remove Carbon Brush as illustrated in **Fig. 1**.

Fig. 1



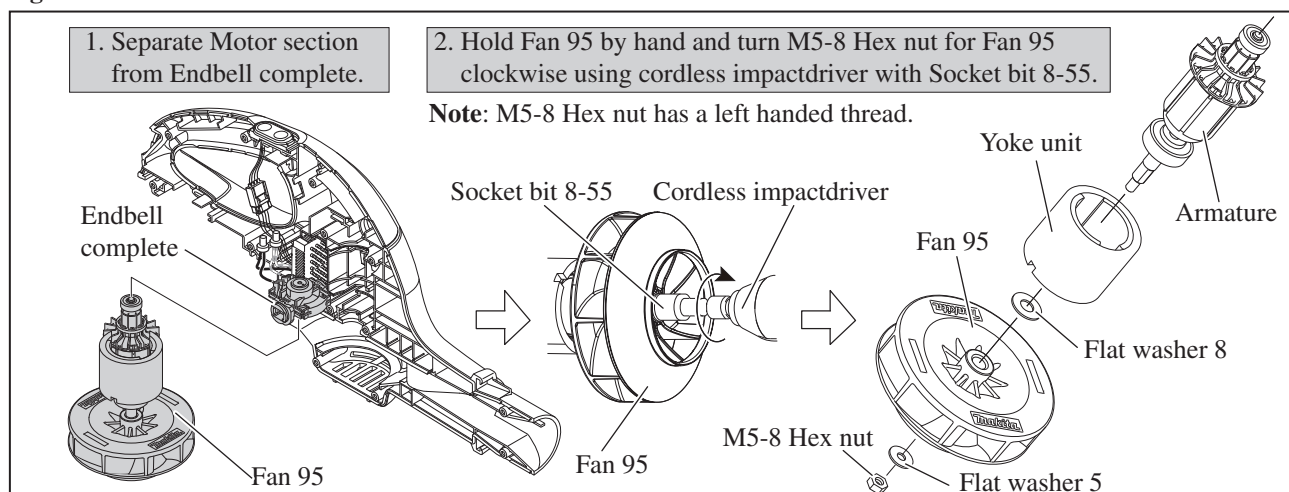
(2) Separate Housing set (R) and take out Motor section as illustrated in **Fig. 2**.

Fig. 2



(3) Fan 95 and Armature can be replaced as illustrated in **Fig. 3**.

Fig. 3



► Repair

[2] DISASSEMBLY/ASSEMBLY

[2]-1. Fan, Armature (cont.)

ASSEMBLING

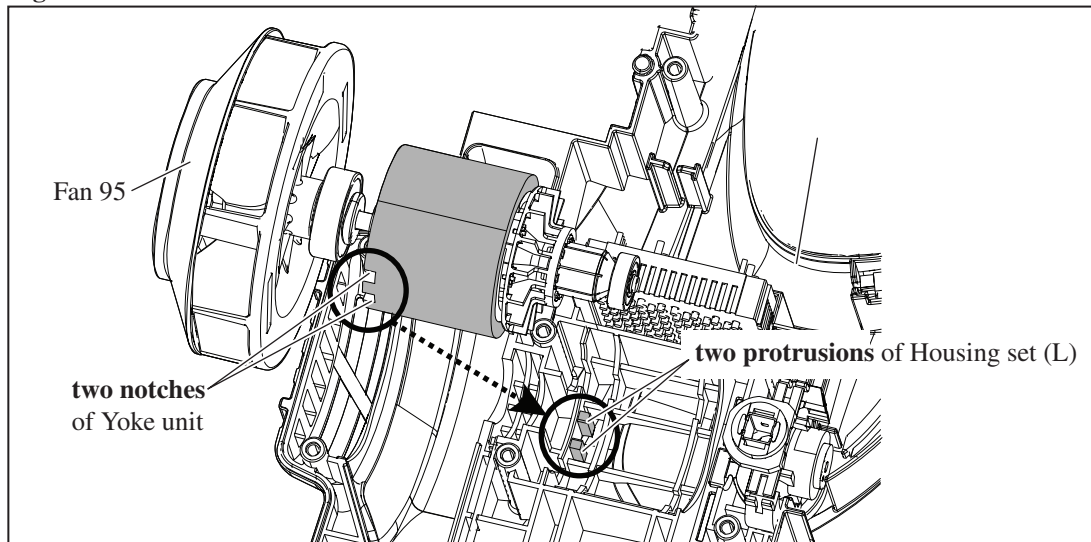
Take the disassembling step in reverse.

Note: 1) Do not forget to set Flat washer 5 and Flat washer 8 in place. (Fig. 3)

2) Fit two notches of Yoke unit to two protrusions on Housing set (L). (Fig. 4)

3) Before assembling Housing set (R), mount Hanger on Housing set (L) and (R). (Fig. 2)

Fig. 4



[2]-2. Switch unit

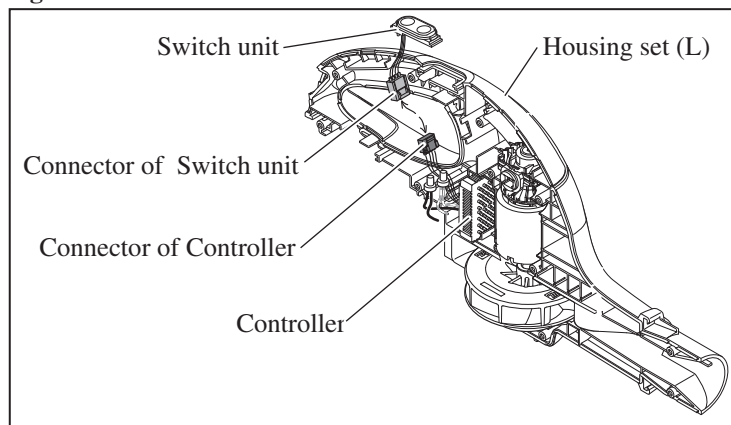
DISASSEMBLING

(1) Remove Housing set (R) from Housing set (L). (Figs. 1 and 2)

It is not necessary to remove Motor section.

(2) Remove Switch unit by disconnect Connectores as illustrated in Fig. 5.

Fig. 5

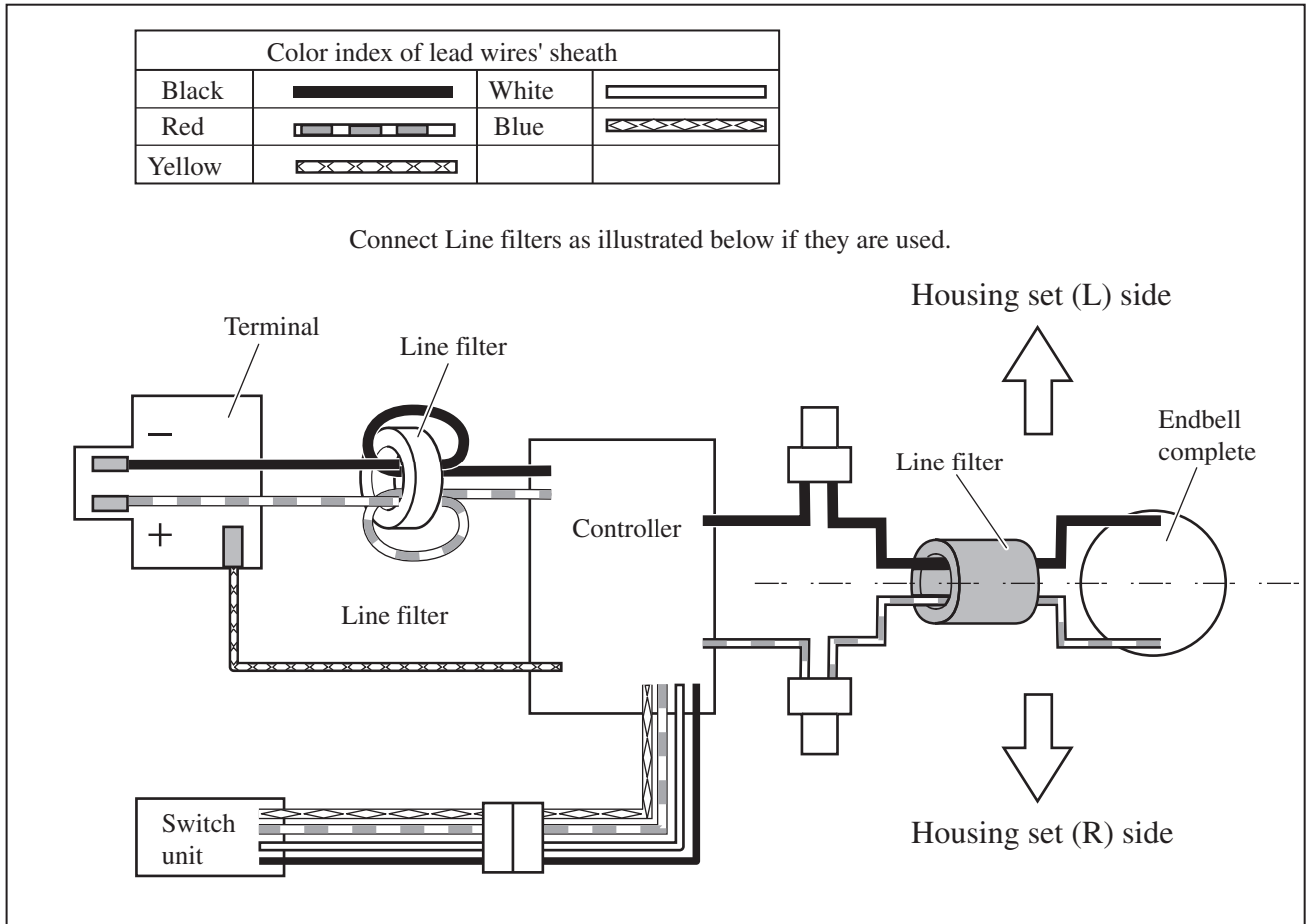


ASSEMBLING

Take the disassembling step in reverse.

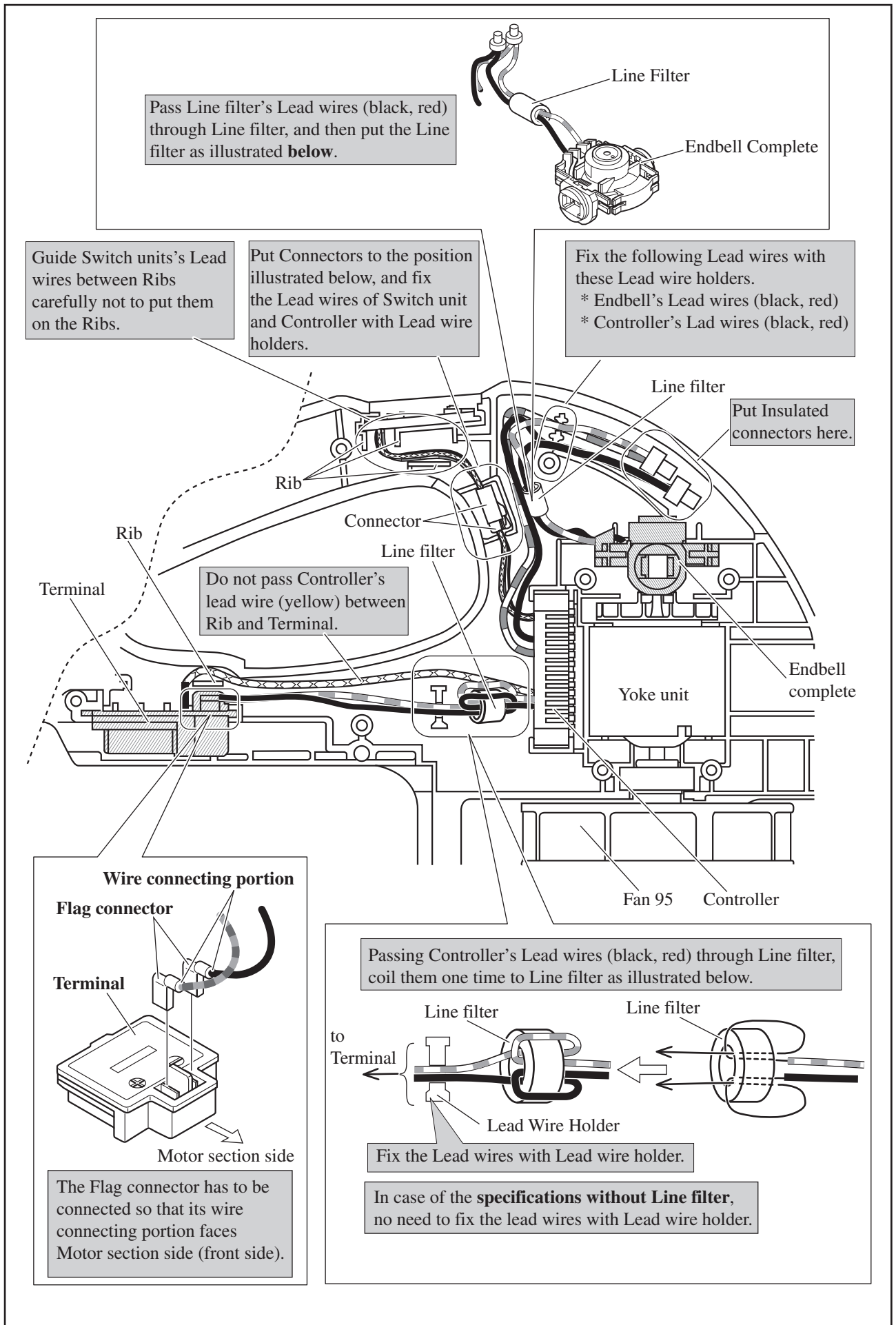
► **Circuit diagram**

Fig. D-1



▶ Wiring diagram in Housing set (L)

Fig. D-2



Free Manuals Download Website

<http://myh66.com>

<http://usermanuals.us>

<http://www.somanuals.com>

<http://www.4manuals.cc>

<http://www.manual-lib.com>

<http://www.404manual.com>

<http://www.luxmanual.com>

<http://aubethermostatmanual.com>

Golf course search by state

<http://golfingnear.com>

Email search by domain

<http://emailbydomain.com>

Auto manuals search

<http://auto.somanuals.com>

TV manuals search

<http://tv.somanuals.com>