



Owner's and Safety Manual

for Gasoline Chain Saws (pages 2 - 32)

Manuel d'emploi et de sécurité

de tronçonneuses thermiques (pages 33 - 63)



DCS 9010

WARNING!

Read and understand this Owner's and Safety Manual. Always follow safety precautions in the Owner's and Safety Manual. Improper use can cause serious injury!

The engine exhaust from this product contains chemicals known to the State of California to cause cancer, birth defects or other reproductive harm. Preserve this Manual carefully!

ATTENTION!

Suivez toujours les conseils de sécurité du présent manuel d'emploi et de sécurité.

Une utilisation incorrecte de la tronçonneuse peut entraîner des blessures graves!

Conservez avec soin ce manuel!

Les gaz d'échappement émis par ce produit contiennent des produits chimiques connus par l'Etat de Californie pour provoquer le cancer, des défauts de naissance ou autres dommages de reproduction.

Lisez et comprenez ce manuel.

WARNING !

Careless or improper use of this product can cause serious or even fatal injury.

Before operating a chain saw or other MAKITA products it is important that you read, fully understand and carefully follow the instructions outlined in this manual. Kickback may cause severe or fatal injury and is one of many potential dangers in operating a chain saw. Kickback and other safety related precautions are described in detail within this manual. Additional manuals are available from MAKITA U.S.A., INC., 14930-C Northam Street, La Mirada, CA 90638-5753, USA, Telephone: (714) 522 80 88 and MAKITA CANADA INC., 1950 Forbes Street, Whitby, Ontario, L1N 7B7, Canada, Telephone: (905) 571 22 00.

This product complies with: American National Standard Institute B 175.1-1991 chain saw safety standard.
Canadian Standards Association Z62.1-95 chain saw safety standard.

Society of Automotive Engineers

SAEJ 335-Jun 95 „Multiposition small engine exhaust system fire ignition suppression”

With the purchase of this chain saw you have chosen a German quality product. Important instructions for the assembly and operation of this saw are given in this manual. For your own safety, we ask you to read the accident prevention instructions very carefully before putting your chain saw into operation, as incorrect handling can, despite all precautions, lead to accidents. With a little care and attention you will have good service and lasting satisfaction from this first-rate product. The following industrial property rights apply: US 5411382, EP 0440827, EP0560201, GBM 8909508, GBM 8913638, GBM 9203378.



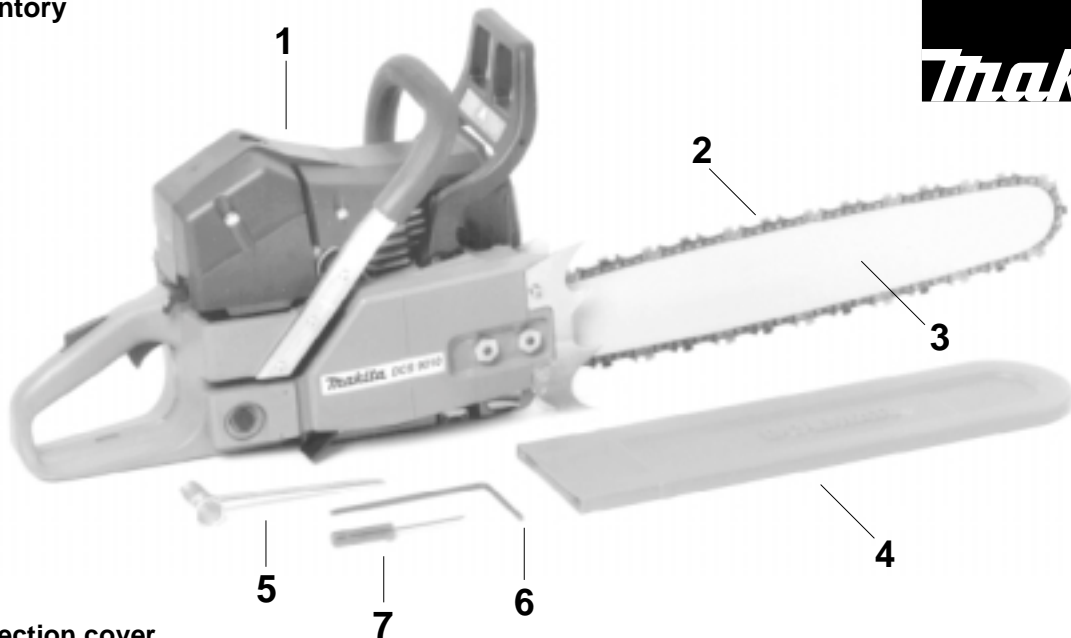
MAKITA DCS 9010

Contents	Page	Page	
Packing	2	Sharpening the saw chain	24-25
Delivery inventory	3	Cleaning the guide bar	25
Symbols	3	Cleaning the chain brake band	25
SAFETY PRECAUTIONS	4-15	Checking and replacing the sprocket	26
Denomination of components	16	Replacing / cleaning the spark arrester screen	26
Technical data	17	Checking the muffler screws	26
PUTTING INTO OPERATION	18-23	Replacing the starter cable	27
Mounting the guide bar and saw chain	18	Replacing the return spring	27
Tightening the saw chain	19	Replacing the suction head	27
Chain brake	19	Cleaning the air filter	28
Fuels / Refuelling	20	Replacing the spark plug	28
Adjusting the chain lubrication	21	Replacing the vibration damper	29
Starting and stopping the engine	22	Instructions for periodic maintenance	30
Checking the chain brake	22	Service, spare parts and guarantee	30-31
Checking the chain lubrication	22	Troubleshooting	31
Adjusting the carburetor	23	Extract from spare parts list	32
Working in winter	23	Adress list	64
MAINTENANCE	24-30		

The MAKITA DCS 9010 will be delivered in a protective cardboard box to prevent transport damage. Cardboard is a basic raw material and is consequently reuseable or suitable for recycling (waste paper recycling).



Delivery inventory



- 1 Chain saw
- 2 Saw chain
- 3 Guide bar
- 4 Chain protection cover
- 5 Universal wrench
- 6 Wrench
- 7 Screw driver for carburetor adjustment
- 8 Owner's and Safety Manual (not shown)

In case one of the parts listed should not be included in the delivery inventory, please consult your sales agent.

Symbols

You will notice the following symbols on the chain saw and in the Owner's and Safety Manual:

	Read Owner's and Safety Manual and follow the warning and safety precautions!		Stop engine!
	Particular care and caution!		Wear protective gloves!
	Forbidden!		Chain brake
	Wear protective helmet, eye and ear protection!		Caution, kickback!
	No smoking!		Fuel and oil mixture
	No open fire!		Carburetor adjustment
	On/Off (I/O) switch		Chain oil fill/oil pump
	Press starting valve		Working in winter
	Engine - manual start		First aid
	Choke lever		Recycling

Further symbols see page 5.

Safety precautions for chain saw operators

While operating the chain saw please observe the following rules:

- a) Contact of the guide bar nose with any object should be avoided.
- b) Tip contact may cause the guide bar to move suddenly upward and backward, which may cause serious or fatal injury.
- c) Always operate the chain saw with both hands.

WARNING!

Read and follow all safety precautions in the Instruction Manual. Failure to follow instructions could result in serious injury. It is recommended to lend the chain saw only to people who are experienced in working with chain saws. Always hand over the Owner's and Safety Manual.

WARNING!

This chain saw is capable of severe kickback that could result in serious injury to the operator. Do not operate this chain saw unless you have extraordinary cutting needs and experience in and special training for dealing with kickback. Chain saws with significantly reduced kickback potential are available.

WARNING!

Kickback may occur when the nose or tip of the guide bar touches an object, or when the wood closes in and pinches the saw chain in the cut. This contact may abruptly stop the **saw chain** and in some cases may cause a lightning fast reverse **reaction**, kicking the guide bar up and back towards the user, or push the guide bar back towards the operator. **Kickback** may cause you to lose control of the saw.

As a chain saw user, you can take several steps to reduce the risk of a kickback and potential injury.

- A. With a basic understanding of kickback, you can reduce or eliminate the element of surprise. It is a sudden surprise that contributes to accidents.
- B. Keep a good firm grip on the saw with both hands, your right hand on the rear grip and your left hand on the tubular handle, when the engine is running. Use a firm grip with thumbs and fingers encircling the chain saw handles. A firm grip can neutralize kickback and help you maintain control of the saw. Don't let go!
- C. Make sure that the area in which you are cutting is free from obstructions. Do not let the nose of the guide bar contact the log, branch, or any other obstructions which could be hit while you are operating the saw.
- D. Do not overreach or cut above shoulder height.
- E. Follow manufacturer's sharpening and maintenance instructions for the saw chain.
- F. Only use replacement bars and chains specified by the manufacturer or the equivalent.

Additional safety precautions

The following additional safety precautions should be observed by all users of chain saws:

1. Do not operate a chain saw when you are fatigued.
2. Use safety footwear; snug-fitting clothing; protective gloves; and eye, hearing, and head protection devices.
3. Use caution when handling fuel. Move the chain saw at least 10 feet (3 m) from the fueling point before starting the engine.
4. Do not allow other persons to be near the chain saw when starting or cutting with the chain saw. Keep bystanders and animals out of the work area.
5. Do not start cutting until you have a clear work area, secure footing, and a planned retreat path from the falling tree.
6. Keep all parts of your body away from the saw chain when the engine is running.
7. Before you start the engine, make sure that the saw chain is not contacting anything.
8. Carry the chain saw with the engine stopped, the guide bar and saw chain to the rear, and the muffler away from your body.
9. Do not operate a chain saw that is damaged, is improperly adjusted, or is not completely and securely assembled. Be sure that the saw chain stops moving when the throttle control trigger is released.
10. Shut off the engine before setting it down.
11. Use extreme caution when cutting small size brush and saplings because slender material may catch the saw chain and be whipped toward you or pull you off balance.
12. When cutting a limb that is under tension be alert for springback so that you will not be struck when the tension on the wood fibers is released.
13. Keep the handles dry, clean, and free of oil or fuel mixture.
14. Operate the chain saw only in well-ventilated areas.
15. Do not operate a chain saw in a tree unless you have been specifically trained to do so.
16. All chain saw service, other than the items listed in the Owner's Manual maintenance instructions, should be performed by MAKITA. (For example, if improper tools are used to remove the flywheel or if an improper tool is used to hold the flywheel in order to remove the clutch structural damage to the flywheel could occur and could subsequently cause the flywheel to burst.)
17. When transporting your chain saw, use the chain protection cover.
18. Low kickback bars and low kickback chains are designed to reduce the risk of kickback injury. Ask your MAKITA dealer about these devices.

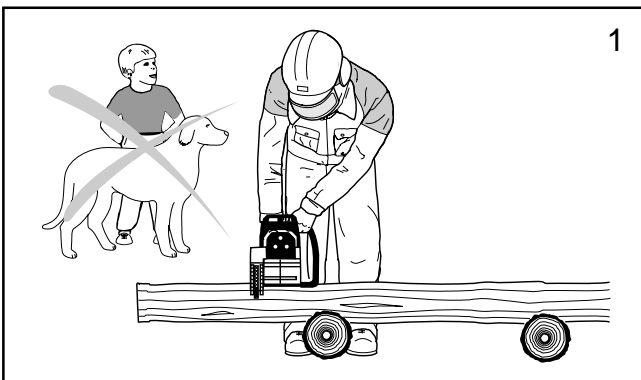
General Safety Precautions

The use of any chain saw may be hazardous. At full throttle chain speed can reach 45 mph (20 m/s). It is important that you read; fully understand and observe the following safety precautions and warnings. Read the Owner's Manual and the safety instructions periodically.

WARNING !

Reactive forces, including kickback, can be dangerous. Careless or improper use of any chain saw may cause serious or fatal injury.

Have your MAKITA dealer show you how to operate your chain saw. Observe all applicable local safety regulations, standards and ordinances.



WARNING!

Minors should never be allowed to use a chain saw.

Bystanders, especially children and animals should not be allowed in the area where a chain saw is in use (fig. 1).

Never let the saw run unattended.

Store it in a locked place away from children. Fill the fuel tank to 7/8 th full (see storing the saw).

Do not lend your chain saw without this Owner' Manual. Be sure that anyone using your saw understands the information given.

Proper use of a chain saw involves

1. the operator
2. the saw
3. the use of the saw.

Discription of symbols used on chain saws:

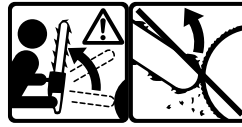


Z 62.1-95
Class 1A

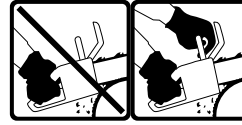
Compliance with
CSA -Standards

ANSI B175.1-1991

Compliance with
ANSI -Standards



Contact of the guide bar tip with any object should be avoided! Tip contact may cause the guide bar to move suddenly upward and backward, which may cause serious injury!

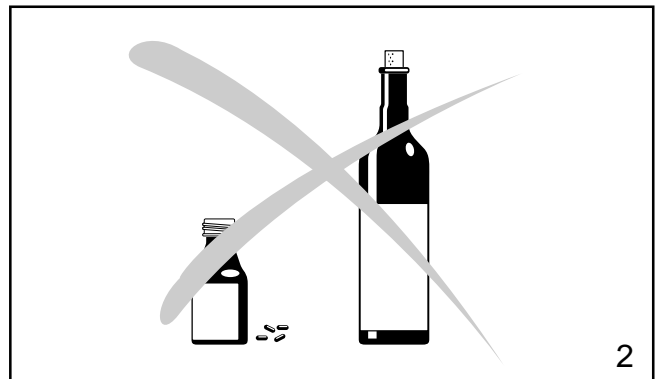


Always use two hands when operating the chain saw!

The operator

Physical Condition

You must be in good physical condition and mental health and not under the influence of any substance (drugs, alcohol), which might impair vision, dexterity or judgment.



WARNING !

Prolonged use of chain saws exposing the operator to vibrations may produce Whitefinger disease (Raynaud's phenomenon). This phenomenon reduces the hand's ability to feel and regulate temperature, produces numbness and burning sensations and may cause nerve and circulation damage and tissue necrosis.

All MAKITA saws are therefore provided with an antivibration system which is essential for those using chain saws on a regular or sustained basis. Antivibration systems do not guarantee that you will not sustain Whitefinger disease, however, they reduce this danger considerably. Nevertheless, continual and regular users should observe their hands and fingers and in case of any abnormal symptoms, seek medical advice immediately.

Proper clothing

Clothing must be sturdy and snug-fitting, but allow complete freedom of movement. Avoid loose-fitting jackets, scarfs, neckties, jewelry, flared or cuffed pants, or anything that could become entangled with the saw or brush. Wear overalls or jeans with a reinforced cutting resistant insert (fig. 3).

Protect your hands with gloves when handling saw and saw chain. Heavy-duty, nonslip gloves improve your grip and protect your hands.



Good footing is most important in chain saw work. Wear sturdy boots with nonslip soles. Steel-toed safety boots are recommended.

Proper eye protection is a must. Non-fogging, vented goggles and a face screen is recommended. Their use reduces the risk of eye and facial injury.

Wear an approved safety hard hat to protect your head. Chain saw noise may damage your hearing. Always wear noise protection equipment (ear plugs or ear muffs) to protect your hearing.

Continual and regular users should have their hearing checked regularly.



The saw

Parts of the chain saw: illustrations and description of parts see page 16.

WARNING !

Never modify a chain saw in any way. Only attachments supplied by MAKITA or expressly approved by MAKITA for use with the specific saw are authorized.

WARNING !

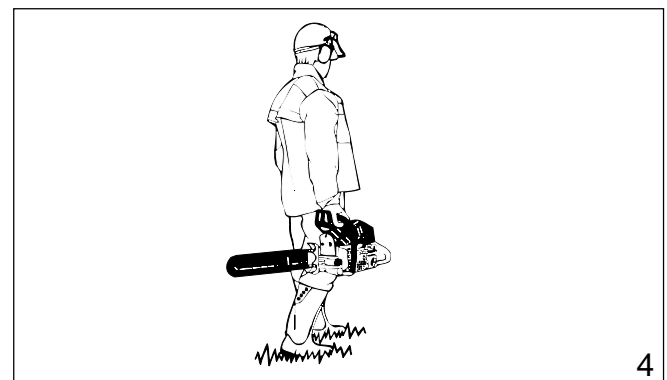
Bow guide bars substantially increase the potential for kickback and severe or fatal injury due to the greater kickback zone of the bow design. Bow guide bars are **not recommended** for use on MAKITA chain saws nor are they approved by the ANSI B 175.1-1991 chain saw safety standard.

The use of the saw

Transporting the chain saw

WARNING!

Always stop the engine before putting a chain saw down or carrying it. Carrying a chain saw with the engine running is extremely dangerous. Accidental acceleration of the engine can cause the chain to rotate. Avoid touching the hot muffler.



By hand: When carrying your saw by hand, the engine must be stopped and the saw must be in the proper position. The chain protection cover should be over the chain and the guide bar must point backwards. When carrying your saw the bar should be behind you (fig. 4).

By vehicle: When transporting in a vehicle, keep chain and bar covered with the chain guard. Properly secure your saw to prevent turnover, fuel spillage and damage to the saw. Make sure the saw is not exposed to heat or sparks.

Chain saw operating instructions

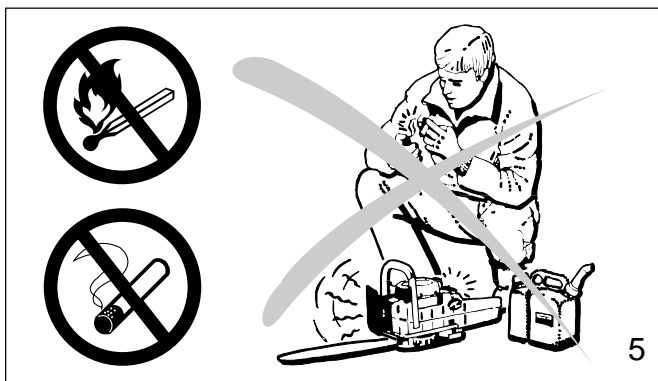
For assembly follow the procedure in the appropriate section "Mounting Guide Bar and Chain" of this manual. MAKITA chain, guide bar and sprocket must match each other (see the appropriate section in this manual).

WARNING!

Proper tension of the chain is extremely important. In order to avoid false setting the tensioning procedure must be followed as described in this manual. Always make sure the hexagonal nut(s) for the sprocket guard is (are) tightened securely after tensioning the chain. Check chain tension once more after having tightened the nuts and thereafter at regular intervals (always before starting to work). If the chain becomes loose while cutting, shut off the engine and then tighten. Never try to tighten the chain while the engine is running!

Fueling

Your MAKITA saw uses on oil-gasoline mixture for fuel (see chapter "Fuel" of this manual).



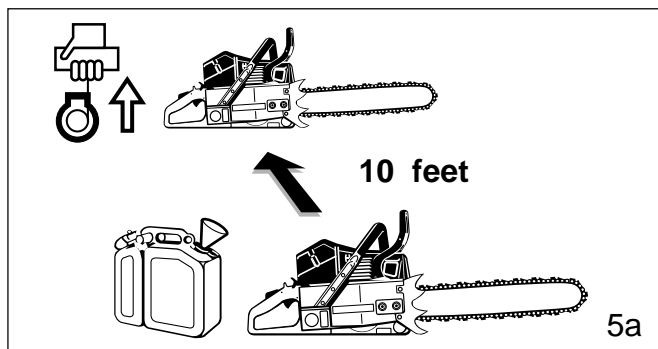
WARNING!

Gasoline is an extremely flammable fuel. Use extreme caution when handling gasoline or fuel mix. Do not smoke or bring any sparks or flame near the fuel (fig. 5).



Fueling instructions

Fuel your chain saw in well ventilated areas or outdoors. Always shut off the engine and allow it to cool before refueling. Select bare ground for fueling and move the chain saw at least 10 feet (3 m) from fueling spot before starting the engine (fig. 5a).

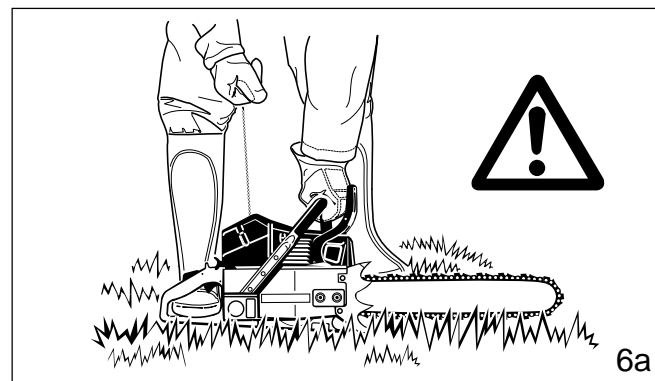
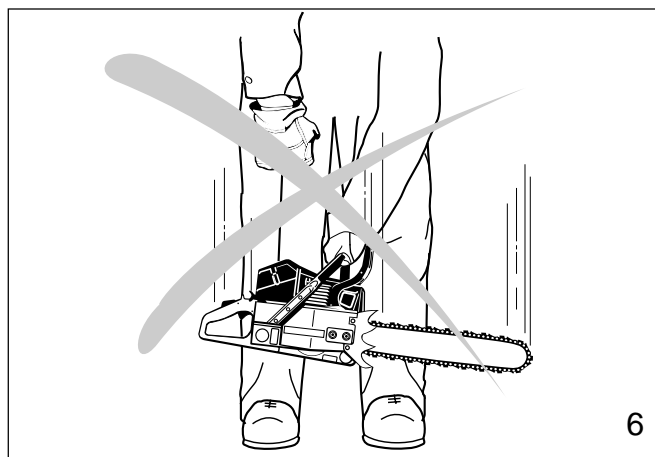


Wipe off any spilled fuel before starting your saw and check for leakage.

Check for fuel leakage while refueling and during operation. If fuel or oil leakage is found, do not start or run the engine until leak is fixed and spilled fuel has been wiped away. Clothing with fuel on it has to be changed immediately (this is a danger to your life!). Avoid skin contact with fuel. Never loosen or remove the cap of the fuel tank while the engine is running.

Starting

Do not drop start. This method is very dangerous because you may lose control of the saw (fig. 6).



Place the chain saw on firm ground or other solid surface in an open area. Maintain a good balance and secure footing. Place your right foot through the rear handle opening and firmly grasp the front handle with your left hand (fig. 6a).

Be absolutely sure that guide bar and chain are clear of you or all other obstructions and objects, including the ground, because when the engine starts in semi-throttle position, engine speed will be fast enough for the clutch to engage the sprocket and turn the chain which may cause a kickback.

Never attempt to start the saw when the guide bar is in a cut or kerf.

When you pull the starter grip, don't wrap the starter rope around your hands. Do not allow the grip to snap back, but guide the starter rope slowly back to permit the rope to rewind properly. Failure to follow this procedure may result in injury to hand or fingers and may damage the starter mechanism.

Important adjustments

WARNING!

At correct idle speed, chain should not turn. For directions to adjust idle speed, see the appropriate section of this Owner's Manual.

Do not use a saw with incorrect idle speed adjustment. Adjust the idle speed yourself according to the appropriate section of this Owner's Manual.

Have your MAKITA dealer check your saw and make proper adjustments or repairs.

Check the saw chain tension frequently, especially just after installing a new chain. New chains may stretch more during their initial use. A properly adjusted saw chain can be pulled freely around the guide bar by hand without sagging. Always stop the engine and wear gloves when checking or adjusting the chain tension.

Working conditions

Operate your chain saw only outdoors. Operate the saw under good visibility and daylight conditions only.

WARNING!

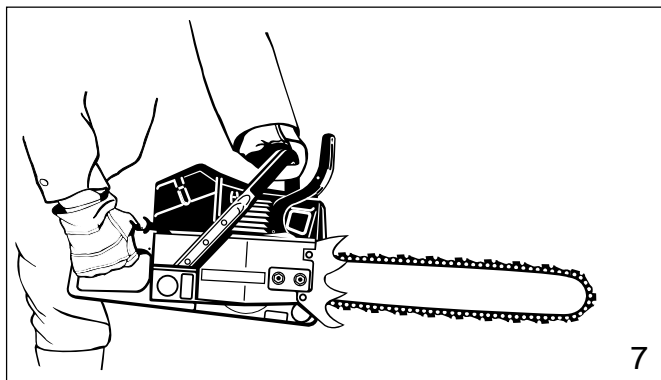
Take extreme care in wet and freezing weather (rain, snow, ice). Put off the work when the weather is windy, stormy or rainfall is heavy. Clear the area where you are working.

WARNING!

Avoid stumbling on obstacles such as stumps, roots or rocks and watch out for holes or ditches. Be extremely cautious when working on slopes or uneven ground. There is increased danger of slipping on freshly debarked logs.

Cutting instructions

Always hold the saw firmly with both hands when the engine is running. Place your left hand on the tubular handle and your right hand on grip and throttle lever. Left-handers should follow these instructions too.

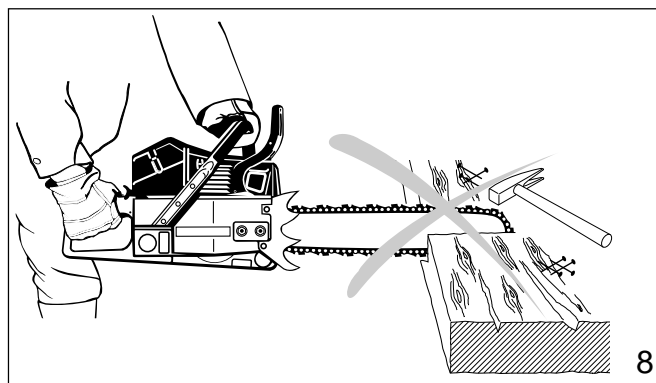


Wrap your fingers tightly around the handles, keeping the handles cradled between your thumb and forefinger (fig. 7). With your hands in this position, you can best oppose and absorb the push, pull and kick-back forces of your saw without having it slip out of your grip (see section of reactive forces). Make sure your chain saw handle and grip are in good condition and free of moisture, pitch, oil or grease.

Always start a cut with the chain running at full speed and the spike bar in contact with the wood.

WARNING!

Never use the saw with one hand. You cannot control reactive forces (see pages 9 to 11) and may lose control of the saw.



WARNING!

Do not operate your chain saw in semi-throttle position. Cutting in this position does not permit the operator proper control of the saw or chain speed.

WARNING!

Never come too close to a rotating chain with your hands or body.

WARNING!

Do not cut any material other than wood or wooden objects.

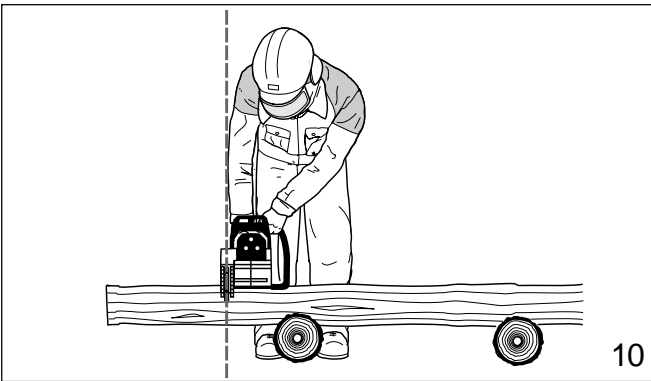
Use your chain saw for cutting only. It is not designed for prying or shoveling away limbs, roots or other objects.

When sawing, make sure that the saw chain does not touch any foreign materials such as rocks, nails and the like (fig. 8). Such objects may be flung off, damage the saw chain or cause the saw to kickback.



In order to keep control of your saw, always maintain a firm foothold. Never work on a ladder, in a tree or on any other insecure support. Never use the saw above shoulder height (fig. 9).

Position the chain saw in such a way that your body is



clear of the cutting attachment whenever the engine is running (fig. 10).

Don't put pressure on the saw when reaching the end of a cut. The pressure may cause the bar and rotating chain to pop out of the cut or kerf, go out of control and strike the operator or some other object. If the rotating chain strikes some other object a reactive force (see pages 10 to 12) may cause the chain to strike the operator.

Reactive forces during the cut, including kickback

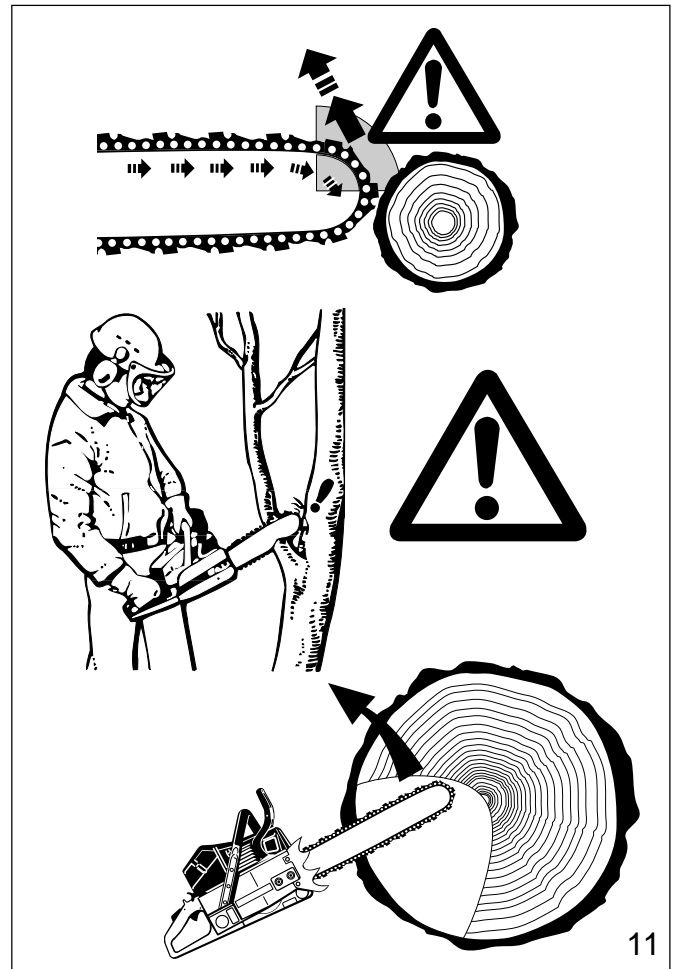
WARNING!

Reactive forces, that may occur during any cut are kickback, pushback and pull-in. Reactive forces can be dangerous! In any chain saw, the powerful force used to cut wood can be reversed (and work against the operator).

If the rotating chain is suddenly stopped by contact with any solid object like a log or branch or is pinched, the reactive forces instantly occur. These reactive forces may result in loss of control which may, in turn, cause serious or fatal injury. An understanding of the causes of these reactive forces may help you avoid loss of control.

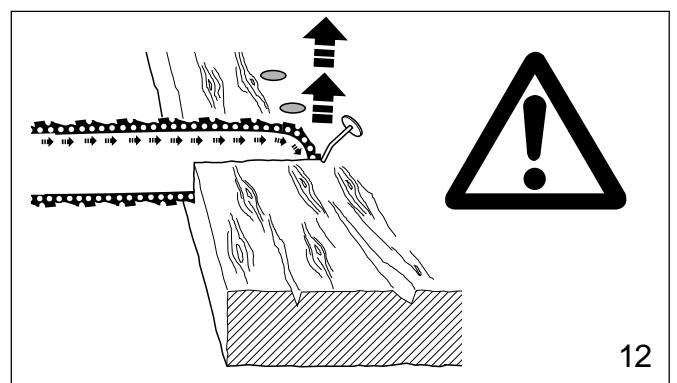
The most common reactive forces are

- kickback,
- pushback,
- pull-in.



Kickback:

Kickback occurs when the upper quadrant of the bar nose contacts a solid object in the wood or is pinched (fig. 11). The reaction of the cutting force of the chain causes a rotational force of the chain saw in the direction opposite to the chain movement, mainly in the plane of the bar. This may fling the bar in an uncontrolled arc towards the operator.



This reaction can occur in a fraction of a second and under some circumstances, cause the guide bar and chain to strike the operator with enough force to cause severe or fatal injury. It may also occur during limbing. It also occurs when the nose of the guide bar is pinched unexpectedly, unintentionally contacts solid material in the wood (fig.12) or is incorrectly used to begin a plunge or boring cut.

The greater the force of the kickback reaction, the more difficult it becomes for the operator to control the saw.

Many factors influence the occurrence and force of the kickback reaction. The type of bar and saw chain you use is a factor in the force of the kickback reaction.

The speed of contact at which the cutter contacts the object.

Kickback force increases with the rate of impact.

The contact angle between the nose of the bar and the foreign object (fig. 11).

Kickback is most pronounced in the upper quadrant of the bar nose.

MAKITA chain types are designed to reduce kickback forces.

The depth gauges:

Improper lowering of the depth gauges also increases the risk of a kickback.

Saw chain cutter sharpness:

WARNING!

A dull improperly sharpened chain may increase the risk of kickback. Always cut with a properly sharpened chain.

Devices for reducing the risk of kickback injury

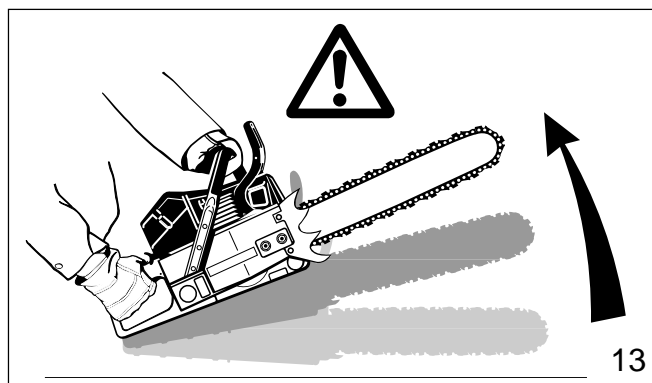
MAKITA have developed a special chain brake to reduce the risk of kickbacks.

This chain brake increases the safety factor on the job, e.g. when the saw suddenly kicks upwards the chain stops rotating within a fraction of a second. A deflection guard on the disengaging lever of the chain brake and a loop rear handle ensure that the operator's hands are fully protected at all times.

Kickback tendency increases as the radius or size of the guide bar nose increases. MAKITA have developed guide bars with small nose radius, to reduce the kickback tendency.

WARNING!

No chain brake prevents kickback. These brakes are designed only to stop the chain, if activated. To ensure a proper operation of the chain brake, it must be properly maintained. Furthermore, there must be a sufficient distance between the operator and the bar to ensure that the chain brake has sufficient time to activate and stop the chain before potential contact with the operator.



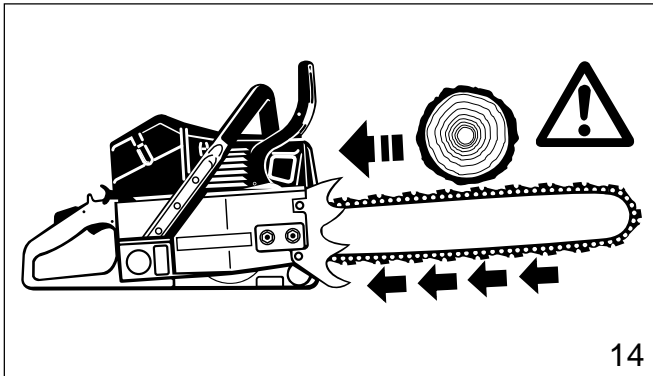
To avoid kickback

The best protection from personal-injury that may result from kickback is to avoid kickback situations:

1. Hold the chain saw firmly with both hands and maintain a secure grip.
2. Be aware of the location of the guide bar nose at all times.
3. Never bring the nose of the guide bar in contact with any object. Do not cut limbs with the nose of the guide bar. Be especially careful with small, tough limbs, small size brush and saplings which may easily catch the chain.
4. Don't overreach.
5. Don't cut above shoulder height.
6. Begin cutting and continue at full throttle.
7. Cut only one log at a time.
8. Use extreme caution when re-entering a previous cut.
9. Do not attempt plunge cuts (see page 13) if you are not experienced with these cutting techniques.
10. Be alert for shifting of the log or other forces that may cause the cut to close and pinch the chain.
11. Maintain saw chain properly. Cut with a correctly sharpened, properly tensioned chain at all times.
12. Stand to the side of the cutting path of the chain saw.

Pushback:

Pushback occurs when the chain on the top of the bar is suddenly stopped when it is pinched, caught or encounters a foreign object in the wood. The reaction of the chain drives the saw straight back toward the operator causing loss of saw control. Pushback frequently occurs when the top of the bar is used for cutting (fig. 14).



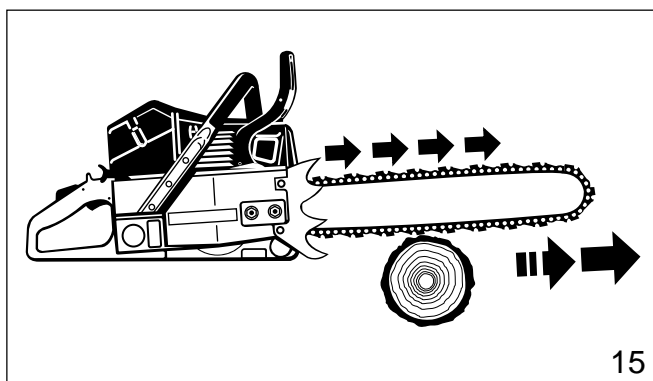
To avoid pushback

1. Be alert to forces or situations that may cause material to pinch the top of the chain.
2. Do not cut more than one log at a time.
3. Do not twist the saw when withdrawing the bar from a plunge cut or under buck cut (figures 25 to 27 and 33, pages 13 and 15), because the chain can pinch.

Pull-in:

Pull-in occurs when the chain on the bottom of the bar is suddenly stopped. The chain on the bottom of the bar stops when it is pinched, caught or encounters a foreign object in the wood (see fig. 15). The reaction of the chain pulls the saw forward, causing the operator to lose control.

Pull-in frequently occurs when the spike bar of the saw is not held securely against the tree or limb and when the chain is not rotating at full speed before it contacts the wood.



WARNING!

Use extreme caution when cutting small size brush and saplings which may easily catch the chain and pull you off balance.

To avoid pull-in

1. Always start a cut with the chain rotating at full speed and the spike bar in contact with the wood.
2. Pull-in may also be prevented by using plastic wedges to open the kerf or cut.

Cutting techniques

Felling

Felling is cutting down a tree.

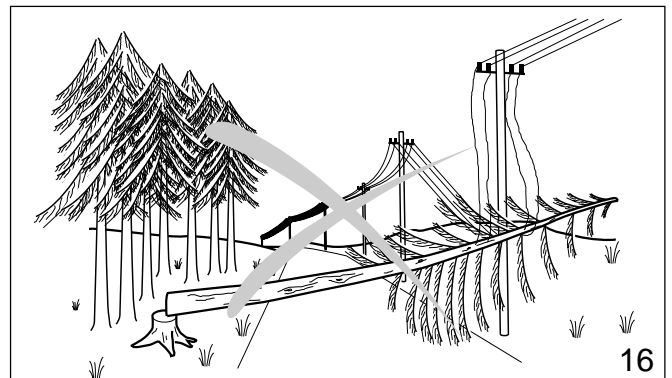
Before felling a tree, consider carefully all conditions which may affect the direction of fall, including:

- The intended direction of the fall.
- The neutral lean of the tree.
- Any unusually heavy limb structure.
- Surrounding trees and obstacles.
- The wind direction and speed.

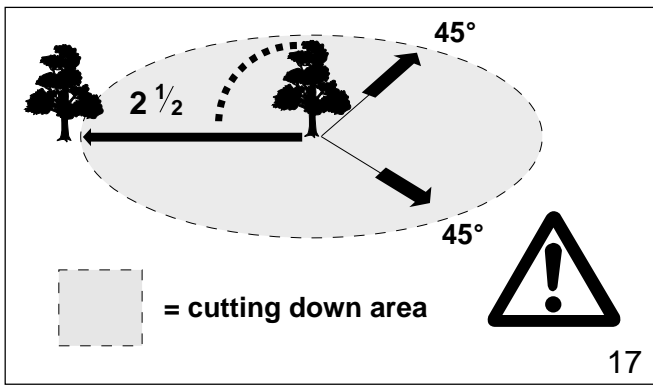
WARNING!

Always observe the general condition of the tree. Look for decay and rot in the trunk. If it is rotted inside, it could snap and fall toward the operator while being cut.

Also look for broken or dead branches which could vibrate loose and fall on the operator. When felling on a slope, the operator should stand on the up-hill side.



When felling in the vicinity of roads, railways and power lines, etc., take extra precautions (see fig. 16). Inform the police, utility company or railway authority before beginning to cut.

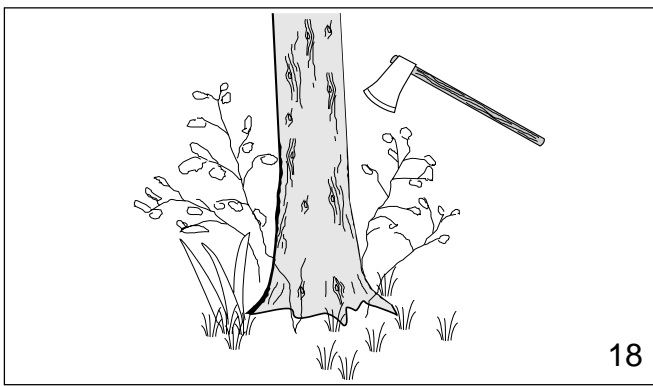


When felling, maintain a distance of at least 2 1/2 tree lengths from the nearest person (see fig. 17).

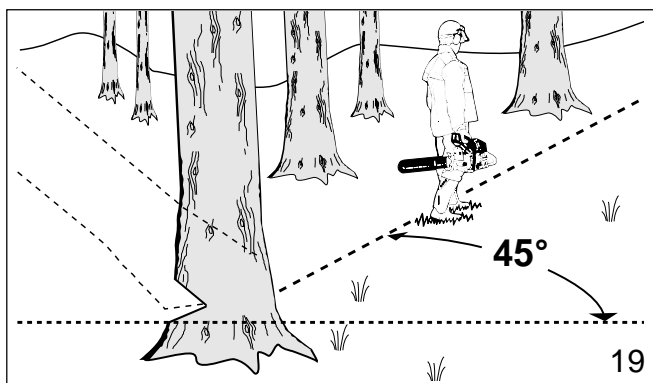
Note:

The noise of your engine may drown any warning call.

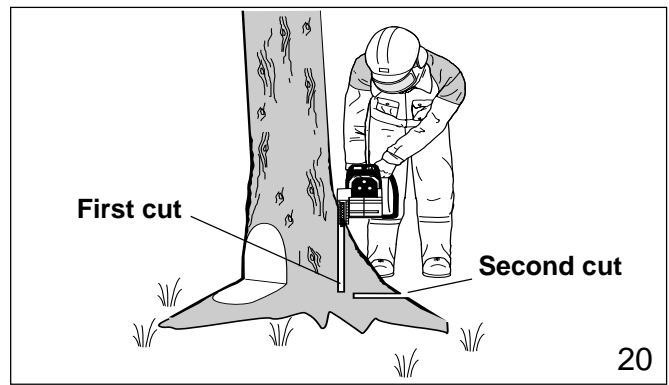
Felling instructions:



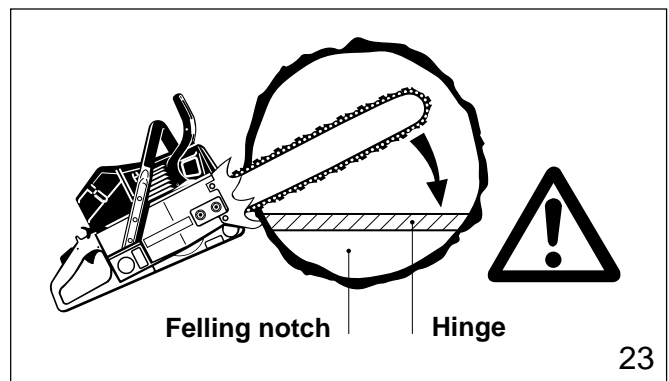
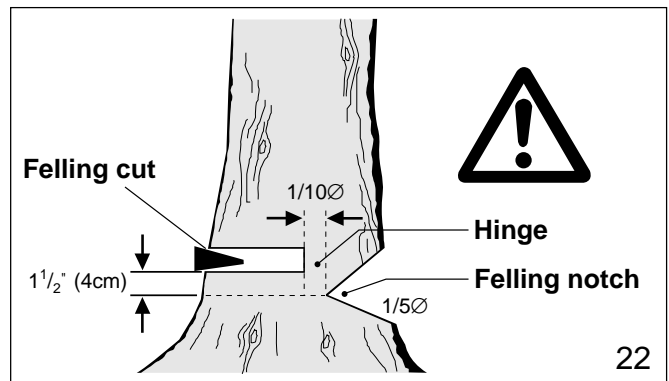
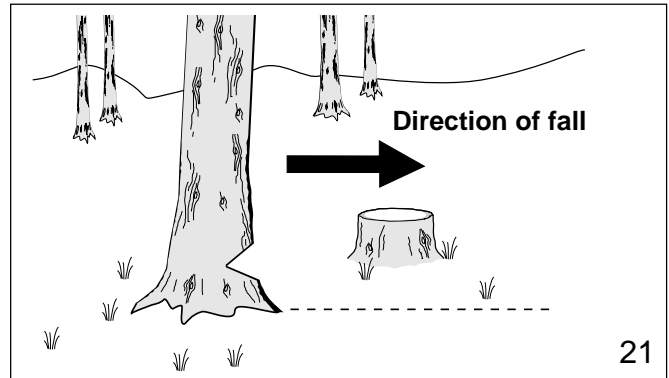
First clear the tree base and work area from interfering limbs and brush and clean its lower portion an axe (see fig. 18).



Then, establish a path of escape and remove all obstacles. This path should be opposite to the planned direction of the fall of the tree and at a 45° angle (fig. 19). An alternate path must also be selected. Place all tools and equipment a safe distance away from the tree, but not on the escape path.



If the tree has large buttress roots, cut into the largest buttresses vertically first (horizontally next) and remove (fig. 20).



Then, determine the placement of the felling notch (fig. 21). The felling notch when properly placed determines the direction in which the tree will fall. It is made perpendicular to the line of fall and should be as close to the ground as possible. Cut the felling notch to a depth of about one-fifth to one-fourth of the trunk diameter (fig. 22). It should be in no case higher than it is deep. Make the felling notch very carefully.

Begin the felling cut slightly higher than the felling notch and on the opposite side of the tree (fig. 22). Then cut horizontally through towards the felling notch. Apply the chain saw with its spikes directly behind the uncut portion of wood and cut toward the notch (fig. 23). Leave approximately 1/10 of the tree diameter uncut! This is the hinge (fig. 23). Do not cut through the hinge because you could lose control of the direction of the fall. Drive wedges into the felling cut where necessary to control the direction of the fall. Wedges should be of wood, light alloy or plastic - never of steel, which can cause kickback and damage to the chain.

Always keep to the side of the falling tree. When the tree starts to fall, shut off the engine, withdraw the bar and walk away on the pre-planned escape path. Watch out for falling limbs.

WARNING!

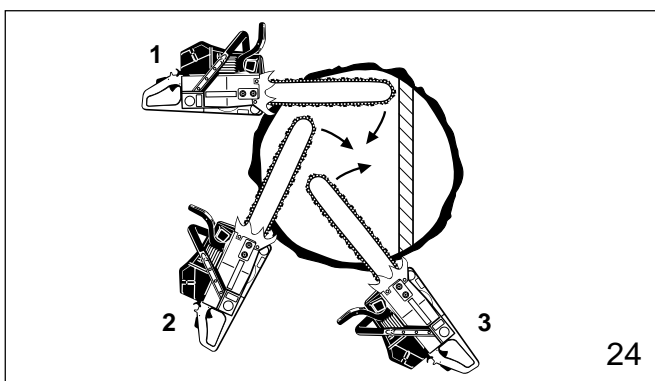
Be extremely careful with partially fallen trees which are poorly supported.

When the tree hangs or for some other reason does not fall completely, set the saw aside and pull the tree down with a cable winch, block and tackle or tractor. If you try to cut it down with your saw, you may be injured.

Sectioning Method

WARNING!

Felling a tree that has a diameter greater than the length of the guide bar requires use of either the sectioning or plunge-cut method. These methods are extremely dangerous because they involve the use of the nose of the guide bar and can result in kickback. Only properly trained professionals should attempt these techniques.



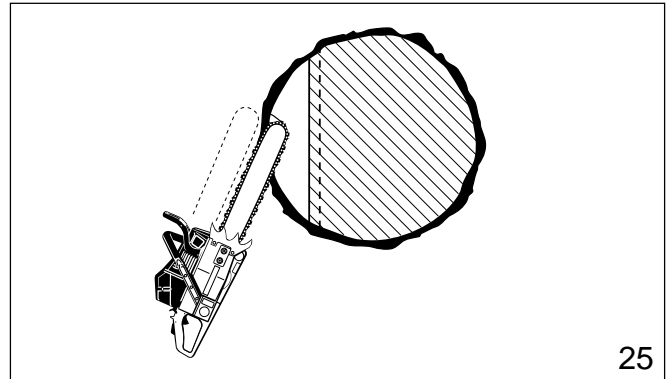
For the sectioning method (fig. 24) make the first cut with the guide bar fanning in toward the hinge. Then, using the bumper spike as a pivot, reposition the saw for the next cut. Avoid repositioning the saw more than necessary. When repositioning for the next cut, keep the guide bar fully engaged in the kerf to keep the felling cut straight. If the saw begins to pinch, insert a wedge to open the cut. On the last cut, do not cut the hinge.

Plunge-Cut Method

Timber having a diameter more than twice the length of the guide bar requires the use of the plunge-cut method before making the felling cut.

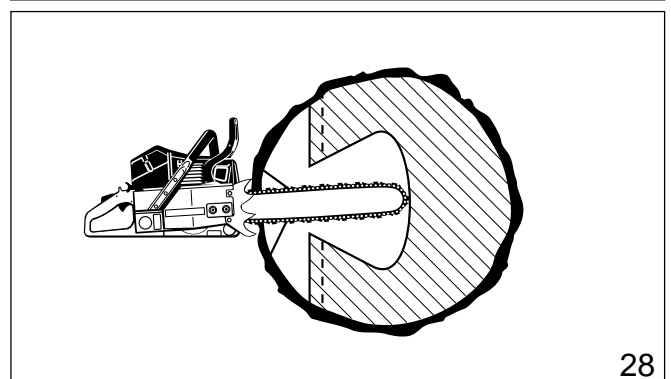
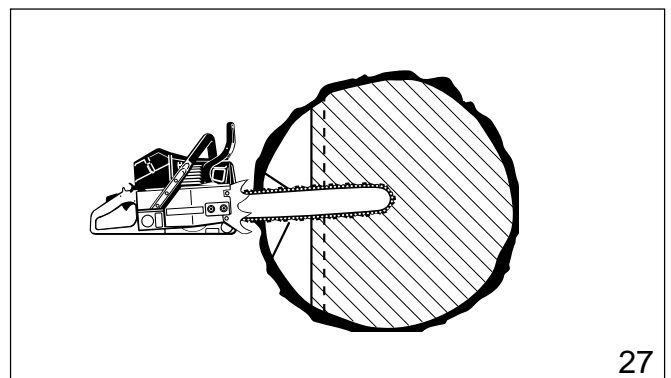
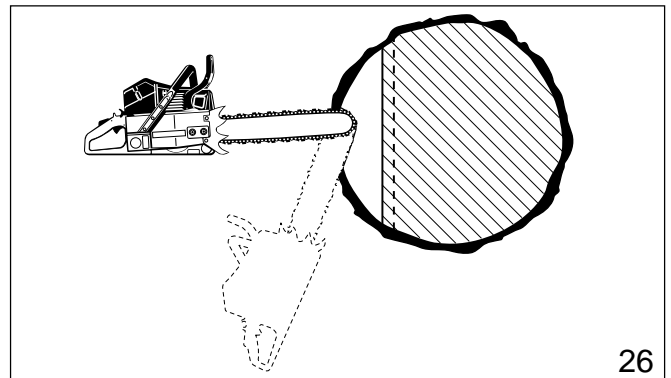
First, cut a large, wide notch. Make a plunge cut in the center of the notch.

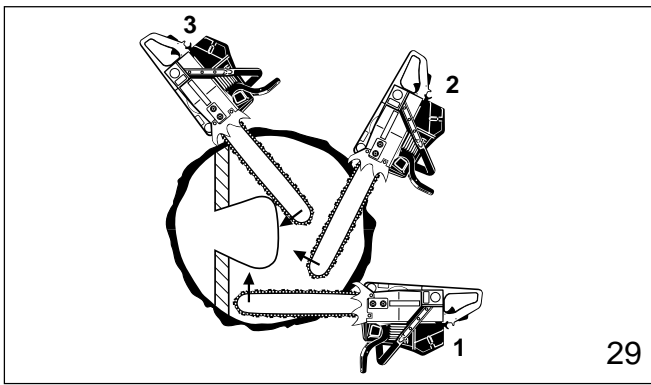
The plunge cut is made with the guide bar nose. Begin the plunge cut by applying the lower portion of the guide bar nose to the tree at an angle (fig. 25). Cut until depth of the kerf is about the same as the width of the guide bar (fig. 26). Next, align the saw in the direction



in which the recess is to be cut. With the saw at full throttle, insert the guide bar in the trunk (fig. 27).

Enlarge the plunge cut as shown in illustration (fig. 28)





29

WARNING!

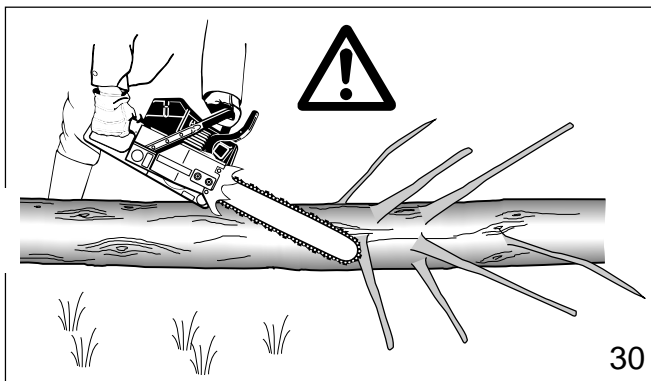
There is an extreme danger of kickback at this point. Extra caution must be taken to maintain control of the saw. To make the felling cut, follow the sectioning method described previously (fig. 29). If you are inexperienced with a chain saw plunge-cutting should not be attempted. Seek the help of a professional.

Limbing

Limbing is removing the branches from a fallen tree.

WARNING!

There is an extreme danger of kickback during the limbing operation. Do not work with the nose of the bar. Be extremely cautious and avoid contacting the log or other limbs with the nose of the guide bar. Do not stand on a log while limbing it - you may slip or the log may roll.



30

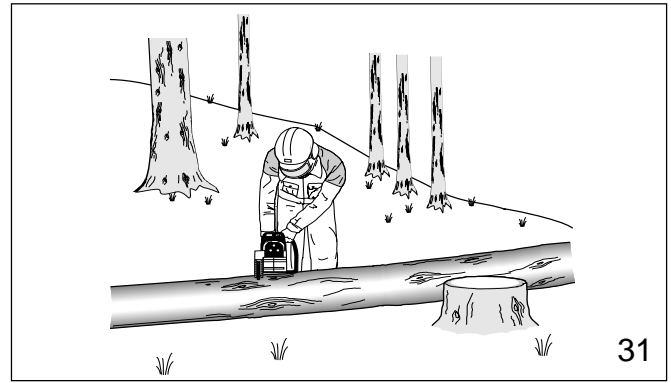
Start limbing by leaving the lower limbs to support the log off the ground (fig. 30). Always cut from the top of the limb. Do not underbuck freely hanging limbs. A pinch may result or the limb may fall, causing loss of control. If a pinch occurs, stop the engine and remove the saw, by lifting the limb.

WARNING!

Be extremely cautious when cutting limbs under tension. The limbs could spring back toward the operator and cause loss of control of the saw or injury to the operator.

Bucking

Bucking is cutting a log into sections.



31

WARNING!

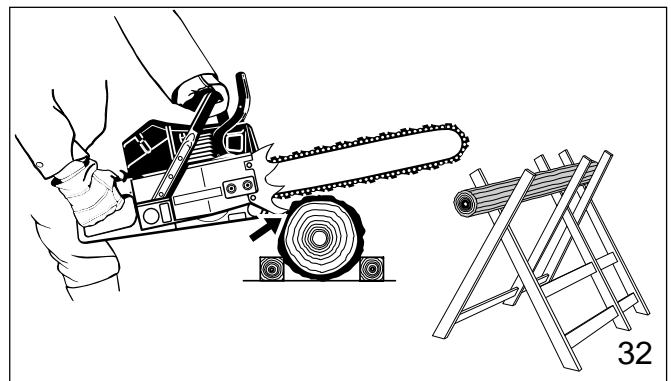
1. When bucking, do not stand on the log. Make sure the log will not roll down-hill. If on a slope, stand on the up-hill side of the log (see fig. 31). Watch out for rolling logs.

WARNING!

2. Cut only one log at a time.

WARNING!

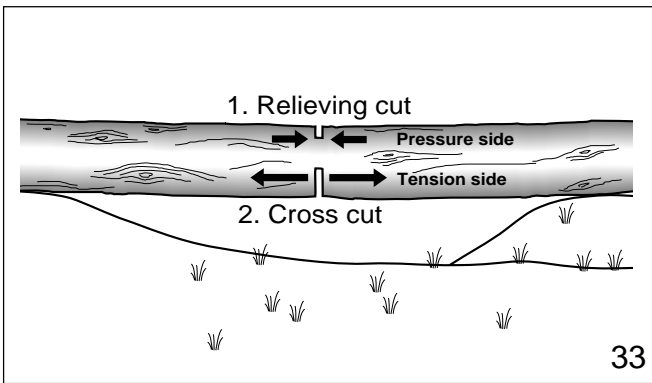
3. Shattered wood should be cut very carefully. Sharp splinters of wood may be caught and flung in the direction of the operator of the saw.



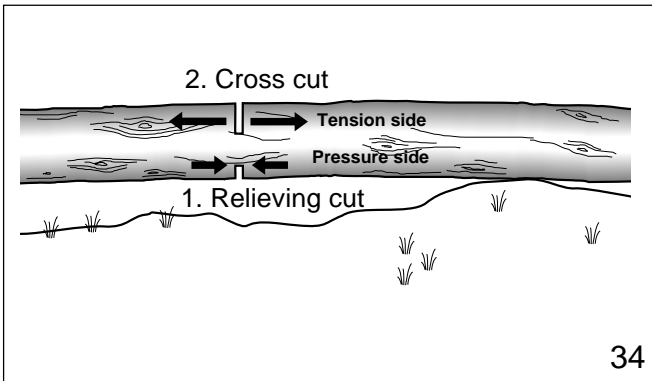
32

WARNING!

4. When cutting small logs, use a sawhorse (fig. 32). Never permit another person to hold the log. Never hold the log with your leg or foot.



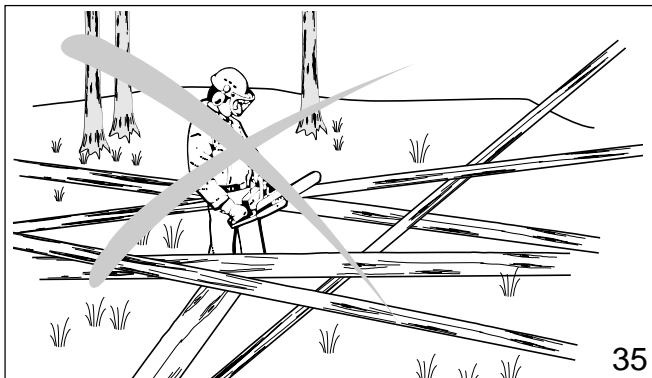
33



34

WARNING!

5. Logs under strain require special attention to prevent the saw from pinching. The first cut is made on the compression side to relieve the stress on the log (see fig. 33, 34). The bucking cut is then made as shown. If the saw pinches, stop the engine and remove it from the log.



35

WARNING!

6. Only properly trained professionals should work in an area where the logs, limbs and roots are tangled (i. e. a blowdown area, fig. 35). Working in blowdown areas is extremely hazardous.

WARNING!

7. Drag the logs into a clear area before cutting. Pull out exposed and cleared logs first.

Maintenance and Repair

Never operate a chain saw that is damaged, improperly adjusted or not completely or securely assembled. Follow the maintenance and repair instructions in the appropriate section of this manual.

WARNING !

Always stop the engine and make sure that the chain is stopped before commencing any maintenance or repair work or cleaning the saw. Do not attempt any maintenance or repair work not described in this manual. Have such work performed by your MAKITA service shop only.

Maintaining and storing the saw

Keep the chain, bar and sprocket clean and lubricated; replace worn sprockets or chains.

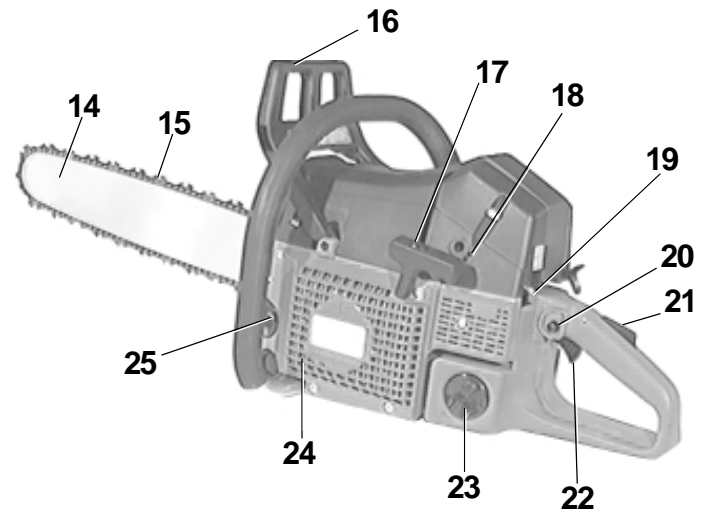
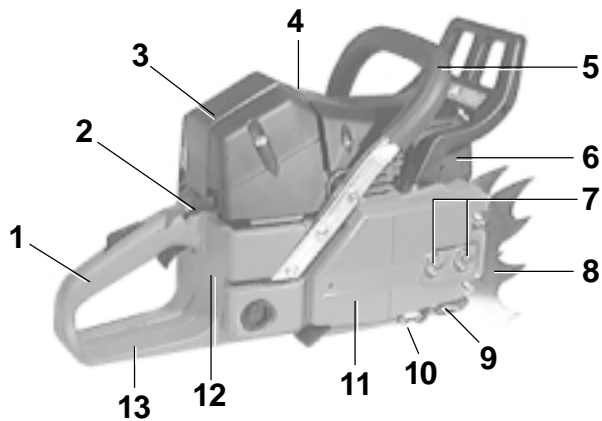
Keep the chain sharp. You can spot a dull chain when easy-to-cut wood becomes hard to cut and burn marks appear on the wood.

Keep the chain at proper tension. Tighten all nuts, bolts and screws except the carburetor adjustment screws after each use.

Keep spark plug and wire connection tight and clean.

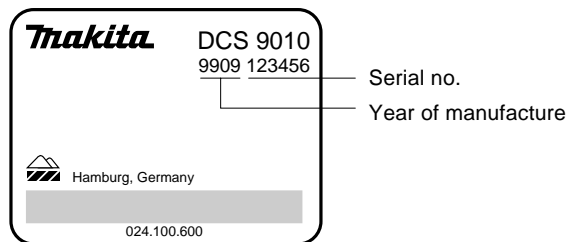
Store saws in a high or locked place, away from children.

Denomination of components



Identification plate

(example model DCS 9010)



Indicate when ordering spare parts!

- | | |
|---|--|
| 1 Handle | 13 Hand guard |
| 2 Choke | 14 Guide bar |
| 3 Cover for air filter / spark plug | 15 Chain |
| 4 Switch for use in winter | 16 Hand guard (release for chain brake) |
| 5 Tubular handle | 17 Starter grip |
| 6 Muffler with spark arrester screen | 18 Adjusting screws „H-T-L” for carburetor |
| 7 Fastening nuts | 19 ON/OFF switch |
| 8 Spike bar
(toothed stop for holding saw steady against wood) | 20 Stop knob for halfway throttle |
| 9 Chain catcher | 21 Safety locking button |
| 10 Adjusting screw for oil pump (bottom side) | 22 Throttle lever |
| 11 Sprocket guard | 23 Fuel tank cap |
| 12 Identification plate | 24 Fan housing with starting assembly |
| | 25 Oil tank cap |

Technical data

		DCS 9010
Stroke volume	cu. in (cm ³)	5.5 (90)
Bore	inch (mm)	2 (52)
Stroke	inch (mm)	1.6 (42)
Max. power at speed	hp / rpm	6.57 / 9,500
Max. torque at speed	ft lb / rpm	4.3 / 6,500
Limit speed	rpm	13,500
Idling speed	rpm	2,200
Coupling speed	rpm	3,600
Sound Pressure Level at the operator's ear at full load according to ANSI B 175.1/ CSA Z62.1	db(A)	105
Sound Pressure Level at the bystander's position (50ft/15 m distance) according to ANSI B 175.1	db(A)	80
Carburetor (diaphragm carburetor)	Type	TILLOTSON HS-295A (LC)
Ignition system	Type	electronic
Spark plug	Type	NGK BPMR 7A
Electrode gap	inch (mm)	.020 - .030 (0.5 -0.8)
or spark plug	Type	BOSCH WSR-6F
Fuel consumption at max. load per ISO 8893	kg/h	2.3
Specific consumption at max. load per ISO 8893	g/kWh	480
Fuel tank capacity	oz (l)	33,8 (1.0)
Chain oil tank capacity	oz (l)	13,5 (0.4)
Mixture ratio (fuel/two-stroke oil)		
- when using MAKITA oil		50:1
- when using other oils		40:1
Chain brake		engages manually or in case of kickback
Sprocket pitch	inch	3/8
Number of chain sprocket teeth	Z	7
Chain type (see the Extract from the spare-parts list)		
Pitch / Driving element strength	inch	3/8 / .058
Guide bar, length of a cut	inch	20 - 36
Guide-bar type (see the Extract from the spare-parts list)		
Weight (fuel tank empty, without chain and guide bar)	lbs oz	18 lbs 1 oz

WARNING:

This chain saw is capable of severe kickback that could result in serious injury to the user. Do not operate this chain saw unless you have extraordinary cutting needs and experience and specialized training for dealing with kickback. Chain saws with significantly reduced kickback potential are available.

PUTTING INTO OPERATION

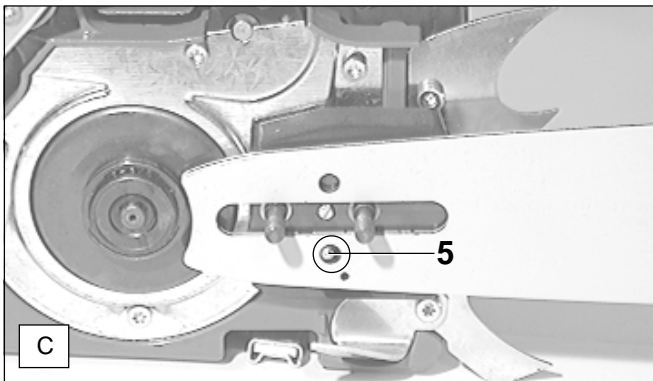
Mounting the guide bar and chain

Use the universal wrench delivered with the chain saw for the following works.

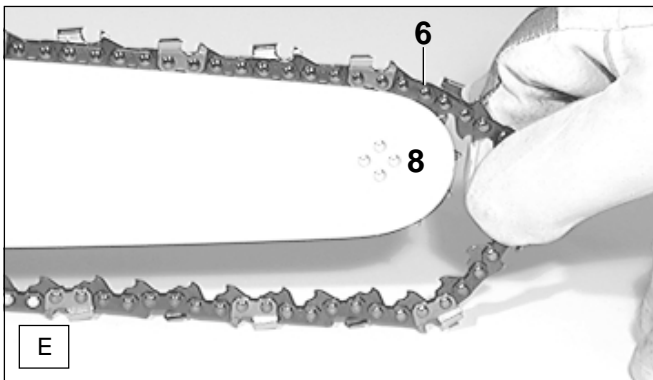
Put the chain saw on a stable surface and carry out the following steps for mounting the guide bar and chain:



- Loosen the two fastening nuts (A/1).
- Pull off the sprocket guard (A/2).



- Position the guide bar. Ensure the pivot (B/5, C/5) of the chain tightener is inserted into the bore (see circle) of the guide bar.

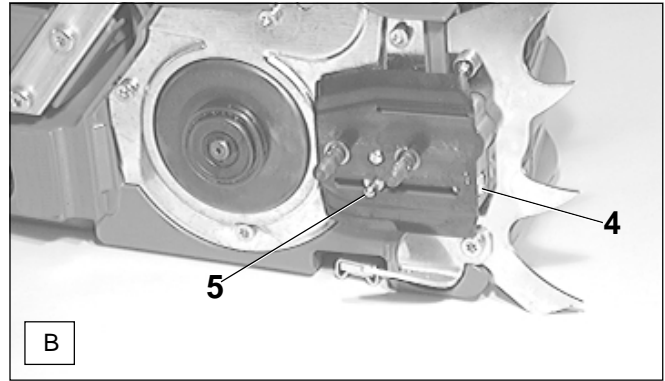


- Lead the chain (E/6) around the sprocket nose (E/8) of the guide bar.

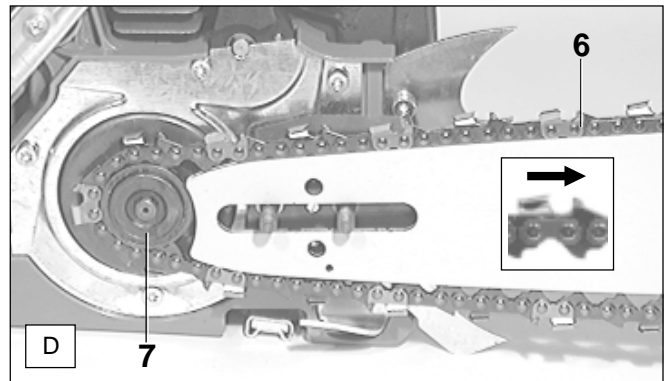


CAUTION: Before doing any work on the guide bar or chain, always switch off the engine and pull the plug cap off the spark plug (see "Replacing the spark plug"). Always wear protective gloves!

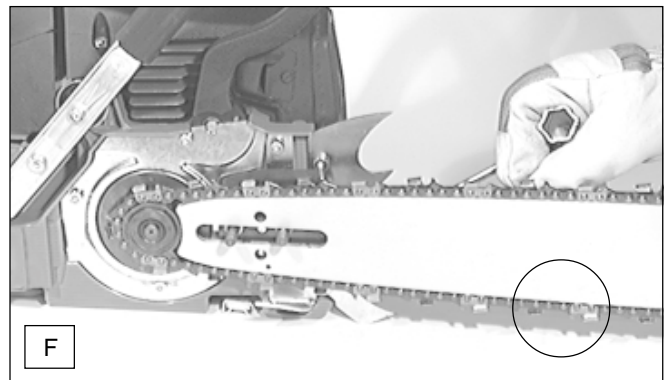
CAUTION: Start the chain saw only after having assembled it completely and inspected!



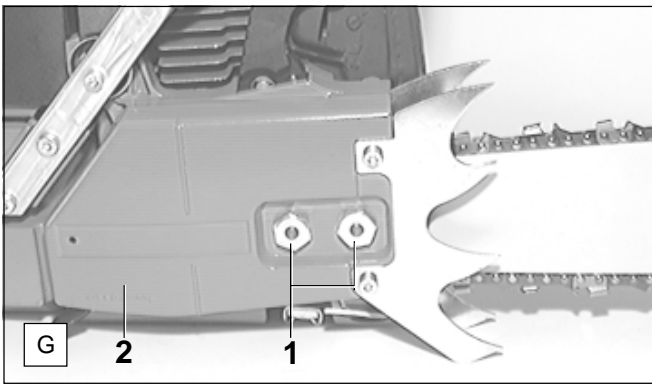
- Turn the chain adjusting screw (B/4) anti-clockwise until the pivot (B/5) is positioned approx. 2 cm in front of the left stop.



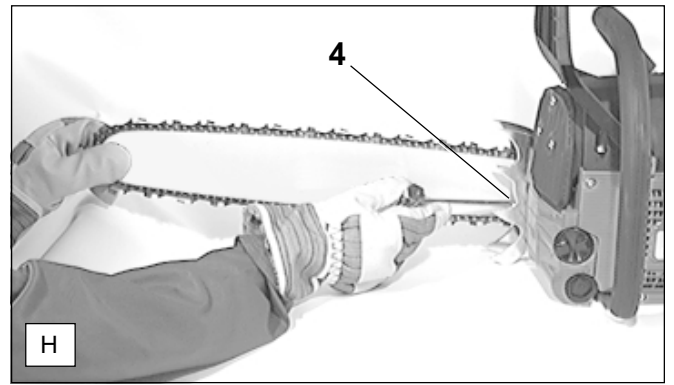
- Put the chain (D/6) onto the sprocket (D/7) and insert it into the guide groove of the guide bar. The cutting edges of the top side of the bar must be oriented in the direction of the arrow.



- Turn the chain tightener (B/4) to the right (clockwise) until the chain is in gear with the guide groove of the bottom side of the bar (see circle). Press the guide bar with your left hand against the casing.



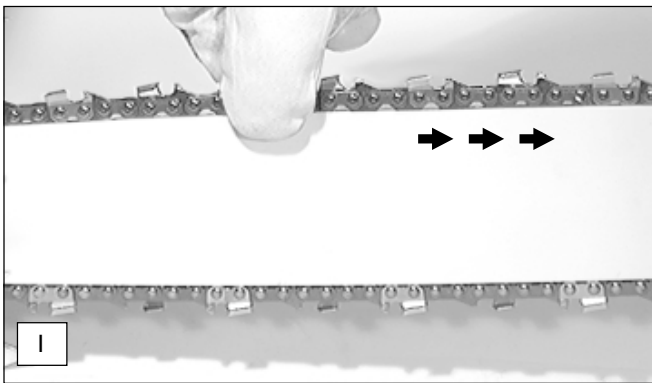
- Position the sprocket guard (G/2).
Manually tighten the two fastening nuts (G/1).



Tightening the chain

- Slightly lift the end of the guide bar and turn the chain adjusting screw (H/4) to the right (clockwise) until the chain rests against the bottom side of the guide bar.
- Continue to lift the guide bar end and firmly tighten the two fastening nuts (G/1) by means of the universal wrench.

Checking the chain tension



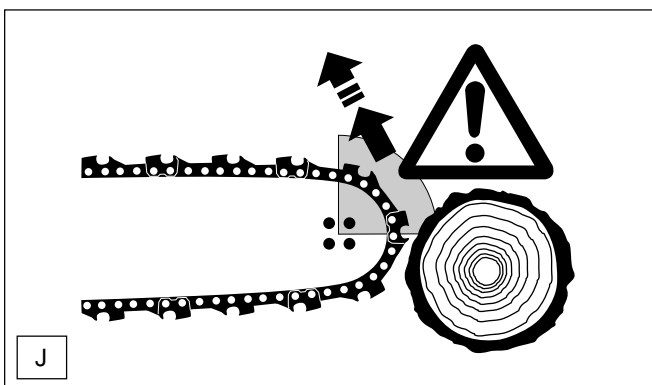
- The tension of the chain is correct if the chain rests against the bottom side of the guide bar and can still be easily turned by hand.
- While doing so the chain brake must be released.
- Check the chain tension in short intervals because new chains tend to elongate.
- When checking the chain tension the engine must be switched off.

NOTE:

It is recommended to use 2-3 chains alternatively.

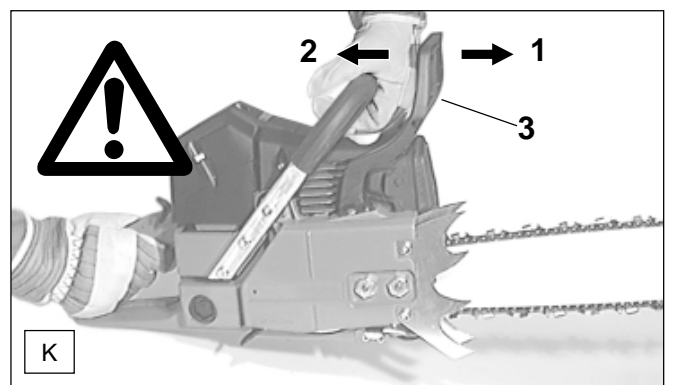
In order to guarantee a uniform wear of the guide bar the bar should be turned over whenever replacing the chain.

Chain brake



The DCS 9010 comes with an inertia chain brake as standard equipment. If kickback occurs due to contact of the guide-bar tip with wood (see SAFETY PRECAUTIONS, page 9), the chain brake will stop the chain through inertia if the kickback is sufficiently strong. The chain will stop within a fraction of a second.

The chain brake is installed to block the saw chain before starting it and to stop it immediately in case of an emergency.



Actuating the chain brake (blocking)

If the kickback is strong enough the sudden acceleration of the guide bar combined with the inertia of the hand guard (K/3) will **automatically** actuate the chain brake.


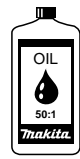
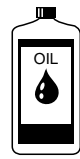
When actuating the chain brake **manually**, press the hand guard (K/3) with your left hand in the direction of the guide bar end (arrow 1).

Releasing the chain brake

Pull the hand guard (K/3) in the direction of the tubular handle (arrow 2) until it will engage noticeably. Now the chain break is released.

Fuels / Refuelling



Fuel		50:1	40:1
	+		
1.0 Us-gal. (3.7 l)		2.5 floz. (75 cm ³)	3.2 floz. (94 cm ³)
2.5 Us-gal. (9.4 l)		6.4 floz. (189 cm ³)	8.0 floz. (236 cm ³)
5.0 Us-gal. (18.9 l)		12.8 floz. (378 cm ³)	16.0 floz. (473 cm ³)

CAUTION: This saw is powered by mineral-oil products (gasoline (petrol) and oil). Be especially careful when handling gasoline (petrol). Avoid all flame or fire. Do not smoke (explosion hazard).

Fuel mixture

The engine of the chain saw is a high-efficiency two-stroke engine. It runs on a mixture of gasoline and two-stroke engine oil.

The engine is designed for unleaded regular gasoline with a min. octane value of 91 ROZ. In case no such fuel is available, you can use fuel with a higher octane value. This will not affect the engine.

In order to obtain an optimum engine output and to protect your health and the environment use unleaded fuel only. Gasoline which contains alcohol should not be used in MAKITA products.

For lubricating the engine use a two-stroke engine oil (quality grade: TC-3), which is added to the fuel. The engine has been designed for use of MAKITA high-performance two-stroke engine oil and a mixture ratio of only 50:1 to protect the environment. In addition, a long service life and reliable operation with a minimum emission of exhaust gases are ensured. MAKITA high-performance two-stroke engine oil is available in the following sizes to suit your individual requirements:

- 1 l order number 980 008 607
- 100 ml order number 980 008 606

If MAKITA high-performance two-stroke engine oil is not available, we urgently recommended a mixture ratio of 40:1 with other two-stroke engine oils, as otherwise optimum operation of the engine cannot be guaranteed.

The correct mixture ratio:

- 50:1** when using MAKITA high-performance two-stroke engine oil, i. e. mix 50 parts gasoline with 1 part oil.
- 40:1** when using other two-stroke engine oils, i. e. mix 40 parts gasoline with 1 part oil.

NOTE:

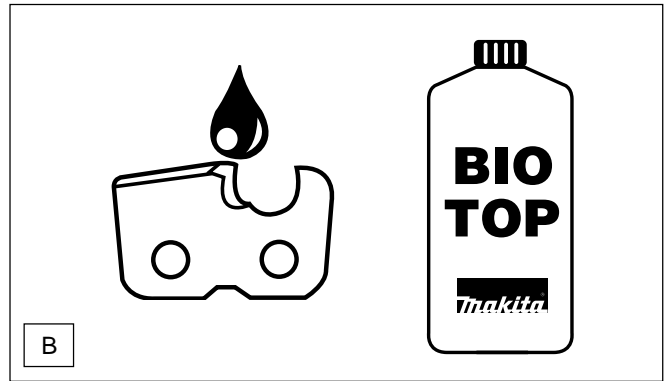
For preparing the fuel-oil mixture first mix the entire oil quantity with half of the fuel required, then add the remaining fuel. Shake the mixture thoroughly before pouring it into the tank.

It is not wise to add more engine oil than specified to ensure safe operation. This will only result in a higher production of combustion residues which will pollute the environment and clog the exhaust channel in the cylinder as well as the muffler. In addition, fuel consumption will rise and performance will decrease.

Storage:

Fuel cannot be stored for an unlimited period of time. Buy only as much as will be consumed in 4 weeks.

Use only approved and marked containers for transport and storage.



Chain oil

Use an oil with adhesive additive for lubricating the chain and guide bar. The adhesive additive prevents the oil from being flung off the chain too quickly.

We recommend the use of chain oil which is bio-degradable in order to protect the environment. The use of bio-degradable oil may even be required by local regulations.

The chain oil BIOTOP sold by MAKITA is made of special vegetable oils and is 100% bio-degradable. BIOTOP has been granted the "blue angel" (Blauer Umweltschutz-Engel) for being particularly environment-friendly (RAL UZ 48).

BIOTOP chain oil is available in the following sizes:

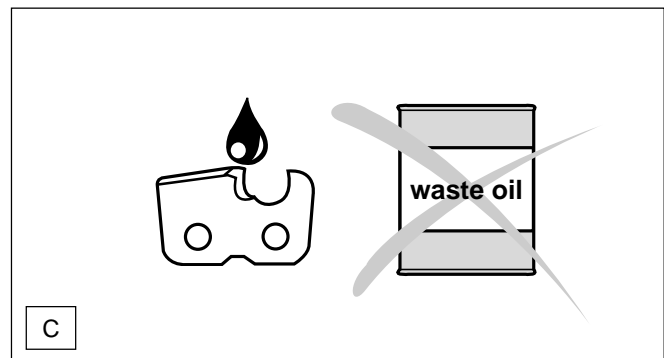
- 1 l order number 980 008 610
- 5 l order number 980 008 611
- 20 l order number 980 008 613

Bio-degradable oil is stable only for a limited period of time. It should be used within 2 years from the date of manufacture (printed on the container).

Important note on bio-degradable chain oils:

If you are not planning to use the saw again for an extended period of time, empty the oil tank and put in a small amount of regular engine oil (SAE 30), and then run the saw for a time. This is necessary to flush out all remaining bio-degradable oil from the oil tank, oil-feed system, chain and guide bar, as many such oils tend to leave sticky residues over time, which can cause damage to the oil pump or other parts.

The next time you use the saw, fill the tank with BIOTOP chain oil again.



NEVER USE WASTE OIL

Waste oil is very dangerous for the environment.

Waste oil contains high amounts of carcinogenic substances. Residues in waste oil result in a high degree of wear and tear at the oil pump and the sawing device.

In case of damage caused by using waste oil or inappropriate chain oil the product guarantee will be null and void.

Your salesman will inform you about the use of chain oil.

AVOID SKIN AND EYE CONTACT



Mineral oil products as well as oils degrease your skin. If your skin comes in contact with these substances repeatedly and for a longer period of time, it will desiccate. Various skin diseases may result. In addition, allergic reactions are known. Eyes can be irritated by contact with oil. If oil comes into your eyes, immediately wash them with clear water. If your eyes are still irritated, see a doctor immediately!

Refuelling



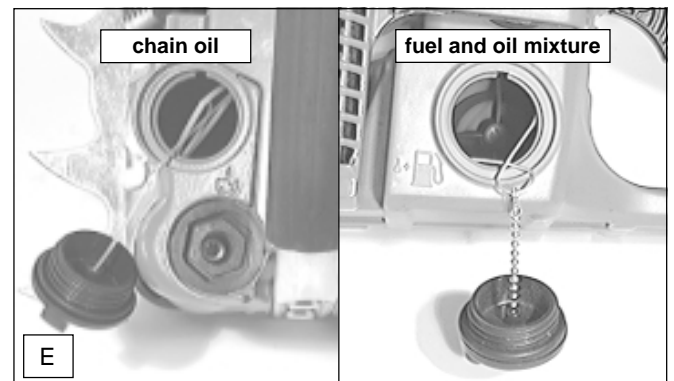
FOLLOW THE SAFETY PRECAUTIONS

Be careful and cautious when handling fuels.

The engine must be switched off.

- Thoroughly clean the tanks around the screw caps to prevent dirt from entering the fuel or oil tank.
- Unscrew the cap and fill in fuel or chain oil until it reaches the bottom edge of the filler socket. Be careful when refilling. Do not spill fuel or oil.
- Tightly screw on the cap.

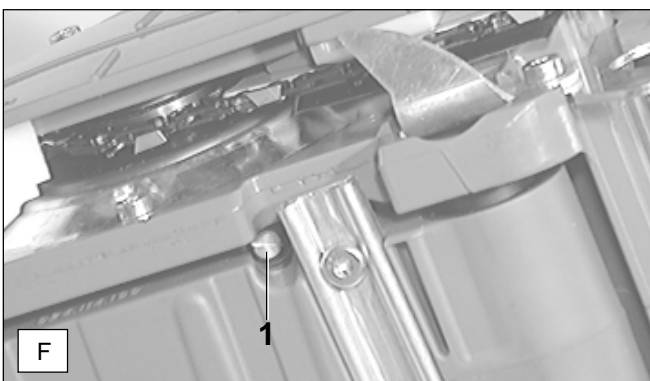
Clean screw cap and tank after refuelling.



Lubricating the chain

In order to ensure sufficient lubrication of the chain there must always be enough oil in the tank. Its contents is sufficient for approx. 1/2 hour of continuous operation.

Adjusting the chain lubrication



The engine must be switched off.

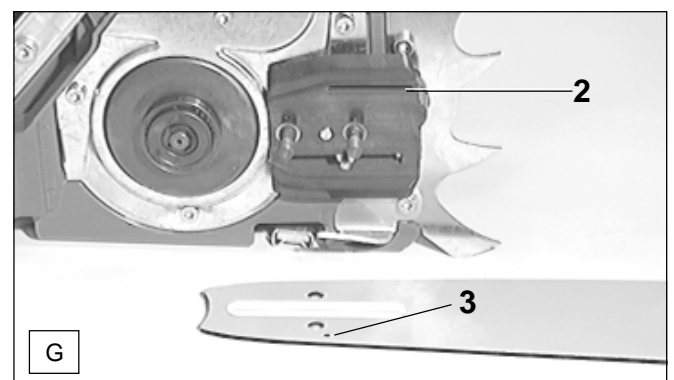


The oil pump can be regulated with the adjusting screw (F/1). The adjusting screw is mounted on the bottom side of the casing.

The oil pump has been adjusted to a medium feed quantity by MAKITA.

For changing the feed quantity use the universal wrench and adjust the adjusting screw (F/1) in the following way:

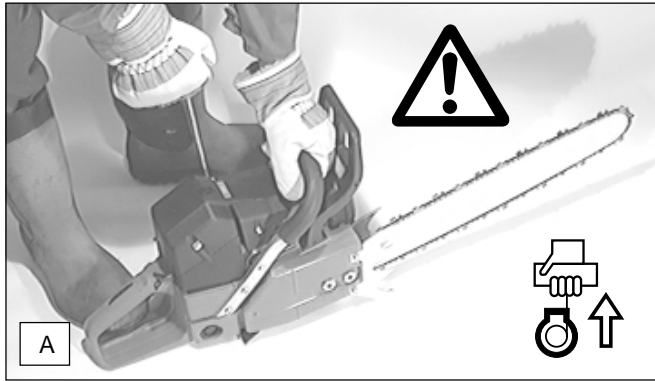
- turn to the right to reduce the quantity
- turn to the left to increase the quantity.



To guarantee a troublefree operation of the oil pump the oil guide groove at the crank case (G/2) and the oil inlet bore in the guide bar (G/3) must be cleaned regularly.

Note: After the saw has been turned off it is normal for residual chain oil to drip from the oil feed system, the guide bar and the chain for a time. This does not constitute a defect! Place the saw on a suitable surface.

Starting the engine

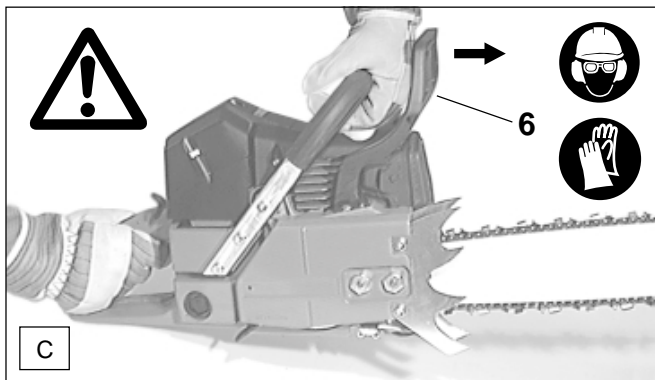


- Move at least 3m away from the place where you fuelled the saw.
- Ensure to have a safe footing and put the chain saw on the floor such that the sawing device is in contact with any object.
- Actuating the chain brake (blocking).
- Put the short-circuiting switch in position "I" (START) (B/1).
- Hold the tubular handle tightly with one hand and press the chain saw to the ground.
- Put your tip-toe in the back hand guard.

When working with a model equipped with a decompression valve observe the following:

- Press switch (B/6) before starting the engine.
- The valve will close automatically after ignition has taken place.

Checking the safety chain brake

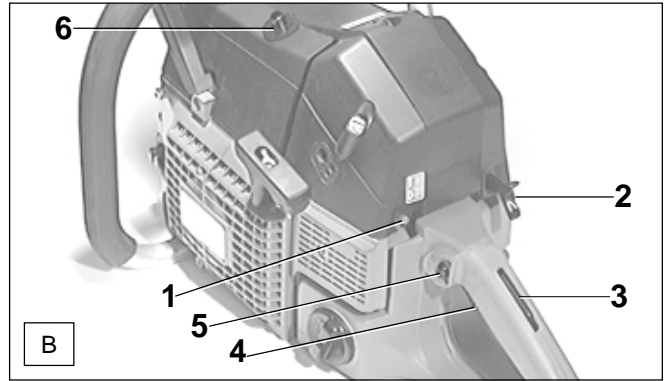


Do not work with the chain saw without first checking the chain brake!

- Start the engine as described (make sure you have a good footing, and place the chain saw on the ground in such a way that the guide bar is free of contact).
- Grasp the tubular handle firmly with one hand and hold the grip with the other.
- With the engine running at moderate speed, press the hand guard (C/6) in the direction of the arrow with the back of your hand until the chain brake engages. The chain should stop immediately.
- Immediately release the throttle and release the chain brake.

IMPORTANT: If the chain does not stop immediately when you test the chain brake, do NOT use the chain saw. Take the chain saw to a MAKITA service center.

22



Cold start:

- Pull the choke (B/2).
- Press the safety switch (B/3).
- Press the throttle lever (B/4) and lock it with the stop button (B/5).
- Slowly pull out the starter cable until you notice a resistance (the piston is positioned before the top dead centre).
- Now pull out the starter cable with a fast and forceful movement until you hear a first ignition.

Attention: Do not pull out the starter cable more than approx. 50 cm and lead it back by hand.

- Press the choke (B/2) and again pull the starter cable. As soon as the engine will run, touch the throttle lever (B/4) to disengage the stop button (B/5).

Attention: As soon as the engine is started it must run without any load to prevent the chain brake from being damaged.

- Now release the chain brake.



Warm start:

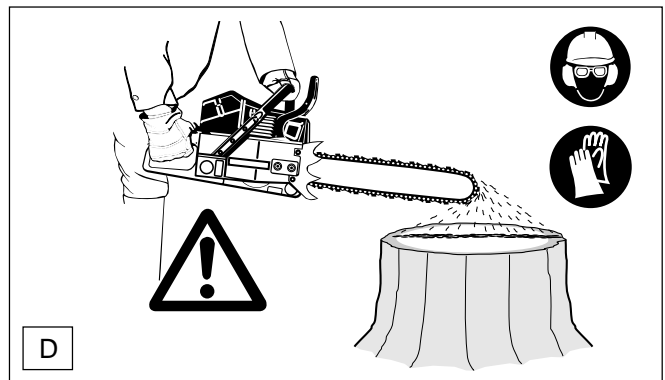
- As described in the section above (cold start), but without actuating the choke (B/2).

Switching off the engine



- Put the short-circuiting switch (B/1) in position "O" (STOP).

Checking the chain lubrication



Never work with the chain saw when a sufficient chain lubrication is not guaranteed. Otherwise the service life of the sawing device will be reduced.

Before starting work check the oil level in the tank and the oil feeding.

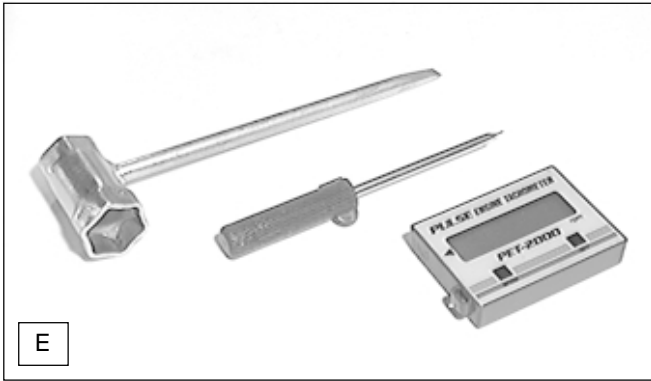
Check the oil feed quantity as described below:

- Start the chain saw.
- Hold the running chain saw approx. 6" (15 cm) above a trunk or the ground (use an appropriate base).

If the lubrication is sufficient, you will see a light oil trace because oil will be centrifuged from the sawing device.

Pay attention to the direction the wind is blowing and avoid unnecessary exposure to the oil spray!

Adjusting the carburetor



Important information:

The carburetor of this tool is fitted with limiter caps which restrict the range of adjustment and prevents over-rich mixture settings. This ensures providing good engine power and efficient fuel consumption.

Before installing the limiter caps, the manufacturer performs the „Basic Adjustment“ procedure.

Caution:

An optimum output can only be achieved if the carburetor is adjusted correctly. For this work, which should be carried out by an expert, the engine must be warmed up and the air filter clean.

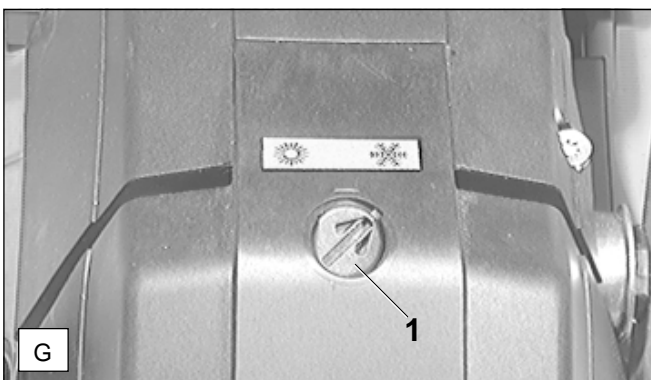
The carburetor has been adjusted by MAKITA on the basis of atmospheric pressure conditions at sea level. Other atmospheric pressure conditions or the running-in process of a new engine may require to readjust the carburetor.

It is urgently recommended to use a revolution indicator (order number 950 233 210) in order to achieve a correct adjustment of the carburetor. Use the carburetor screw driver and the universal wrench delivered with the chain saw.

Before adjusting the carburetor the engine must be warmed up for a period of 3-5 min.



Working in winter

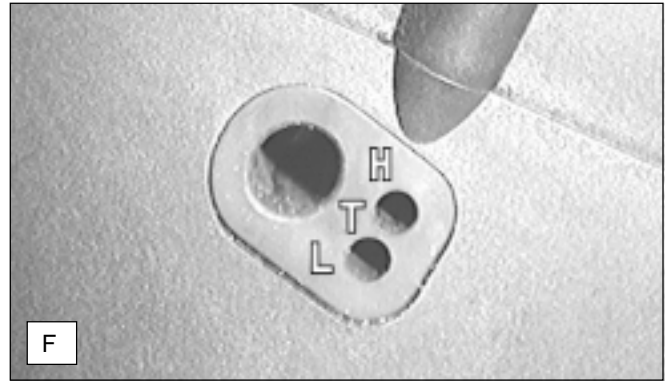


In order to prevent carburetor icing in winter, warm air can be led from the cylinder to the carburetor.

- Use the universal wrench to turn the button (G/1) completely to the right.
- Now the carburetor heating is actuated.

If the temperature is above 0° C, the carburetor heating must be switched off.

Not following this instruction may result in damage at the cylinder and piston.



For adjusting the carburetor correctly the following steps must be carried out:

1. Check adjustment
2. Start engine
3. Set idle speed
4. Adjust speed
5. Check idling speed
6. Check acceleration
7. Check max. speed or output
8. Repeat adjustment procedure starting with step 3, until idling speed, max. speed and acceleration are reached with the adjustment made.



Adjustment instructions (step 1)



- Before initial operation make sure that the adjusting screws (H and L) have not been set in all the way. Limiter caps do not protect the engine from leaning.
- Turn the two adjusting screws (H and L) counter-clockwise as far as they will go.
- Start the engine and let it warm up (step 2).



Set idle speed (step 3)

- If the chain turns when the engine is idling, unscrew the throttle-valve stop screw (T) until the chain stops. If the engine runs unevenly, screw the screw (T) back in.
- Idling speed should be 2,200 rpm.

Adjust speed (output) (step 4)

- Adjust the speed by adjusting the main jet screw (H) to 13,500 rpm.

Caution:

The DCS 9010 is equipped with a speed limiting electronic ignition system. Speeds of more than 13,500 1/min cannot be achieved, not even by reducing the amount of fuel in the mixture.

Check idle speed (step 5)

- After having adjusted the max. speed ensure the idle speed is set to 2,200 rpm. (the chain must not turn). Use the idle jet screw (L) to regulate it. Turn in the screw (L) to speed up, and turn out the screw (L) to speed down the engine.

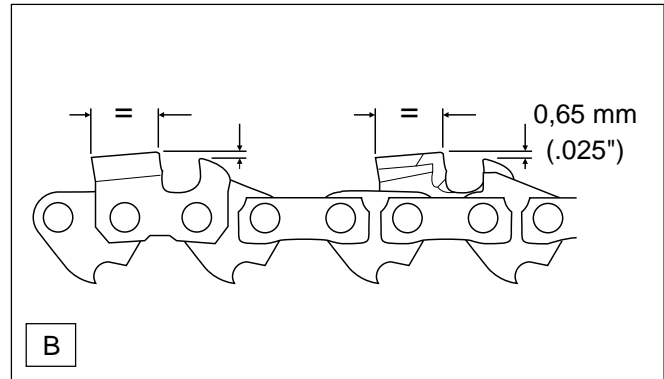
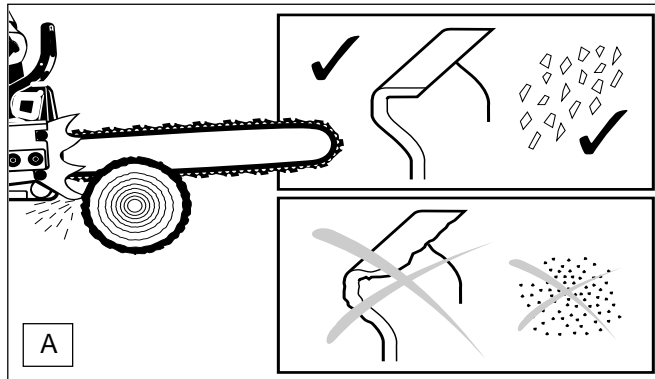
Check acceleration (step 6)

- Now check the acceleration, i. e. the time necessary for speeding up from idle speed to max. speed. To do this, press the throttle lever hard.
- If the acceleration is too low, turn out the idle jet screw (L) approx. 1/8 rotation.

MAINTENANCE

Sharpening the saw chain

CAUTION: Before doing any work on the guide bar or chain, always switch off the engine and pull the plug cap off the spark plug (see "Replacing the spark plug"). Always wear protective gloves!



The chain needs sharpening when:

- The sawdust produced when sawing humid wood looks like wood flour.
- The chain penetrates the wood only under great pressure.
- The cutting edge is visibly damaged.
- The sawing device is pulled to the left or right when sawing. This is caused by an unequal sharpening of the chain.

Important: Sharpen regularly, but only slightly.

Generally 2-3 touches are enough.

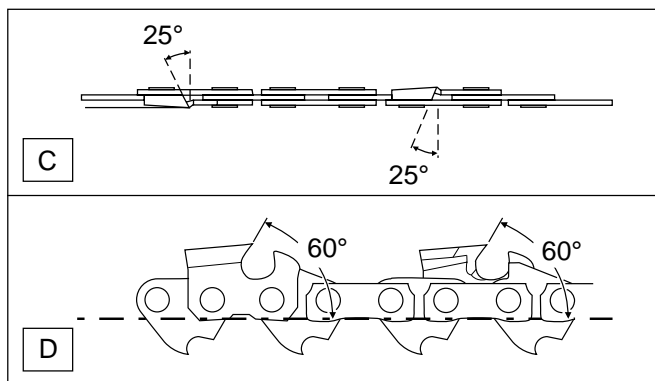
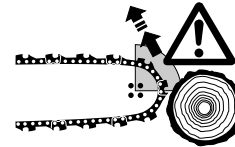
Have the chain resharpened in a service center when you have already sharpened it yourself several times.

Characteristics of a correctly sharpened chain (type 099):

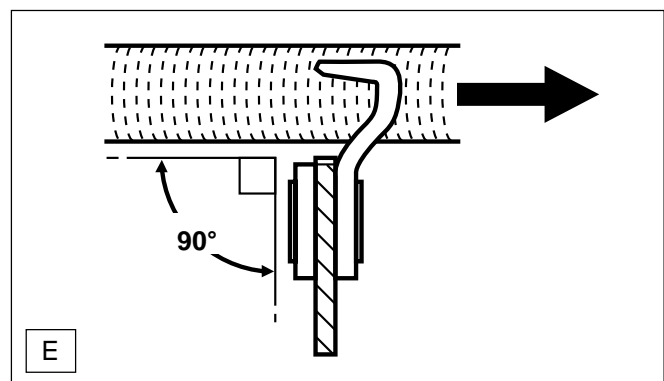
- All cutters must be of the same length (=). Cutters with different lengths result in a rough running of the chain and produce cracks in the chain.
- The best cutting results are achieved with a depth limiter distance of 0.65 mm (.025"). The distance between the depth limiter and the cutting edge determines the depth of the cut.

CAUTION:

If the distance is too wide, the risk of kickbacks increases.

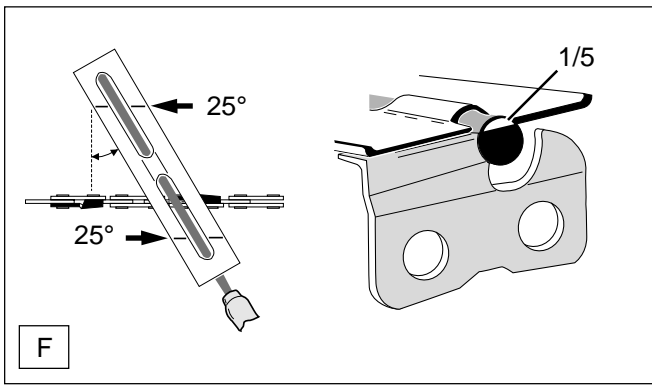


- The sharpening angle of 25° must be equal for all cutters. Different angles result in a roughly, irregularly running chain, increase wear and tear and cause chain ruptures.
- The front rake of 60° depends on the cut depth of the round file. If the file to be used is guided correctly, the correct front rake results automatically.

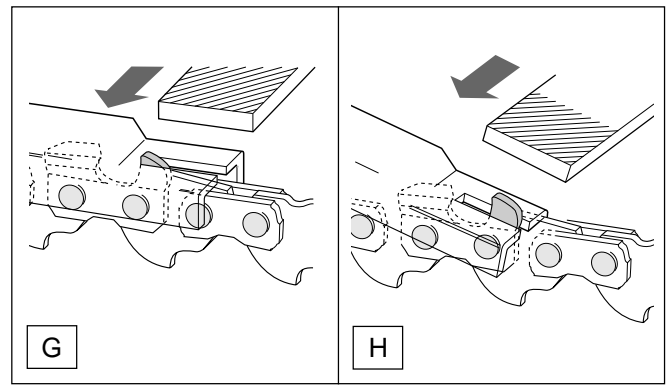


Files and how to work with them

- Sharpen using a special file holder with a saw chain round file. Normal round files are not appropriate for this work. See "Accessories" for the order number.
- File the first cutter half with a 7/32" (5,5 mm) dia. round file, then switch to a 3/16" (4,8 mm) dia. file.
- The file should cut only when pushed forwards (arrow). Lift the file when leading it backwards.
- First sharpen the shortest cutter. The length of this cutter is then the nominal value for all other cutters of the chain.
- Replaced cutters must be exactly adopted to the shape of the other cutters. This is also true for the depth gauges.
- Always guide the file horizontally (90° to the guide bar).



- The file holder makes it easier to guide the file, carries marking for a correct sharpening angle of 25° and limits the cut depth (4/5 of the file diameter). For the order number see accessories.
- When filing the markings must be parallel to the chain.



- After having sharpened the chain, the height of the depth limiter must be checked by means of a chain gauge. For the order number see accessories.
- Correct even the smallest projections with a special flat file (G).
- Round off the front of the depth limiter (H).

Cleaning the guide bar

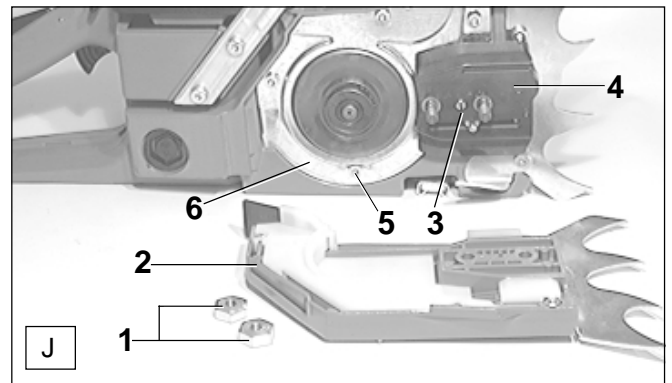
CAUTION:
Protective gloves must be put on.



The bearing surfaces of the guide bar must be regularly cleaned and checked for damage.

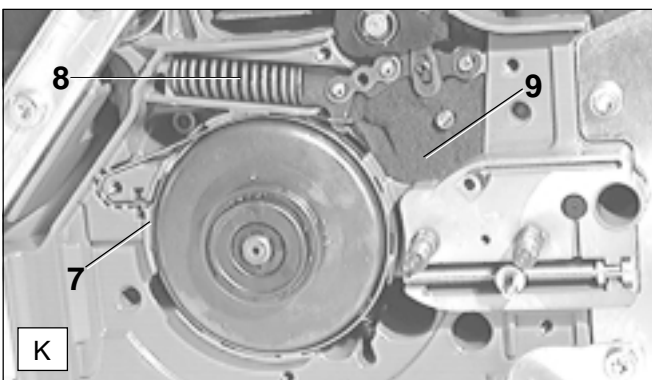
Clean the chain brake band

CAUTION: In any case actuate the chain brake (blocking) and put on protective gloves. Do not actuate the chain brake when cleaning.



- Loosen the fastening nuts (J/1).
- Pull off the sprocket guard (J/2).
- Loosen the screw (J/3) and remove the guide plate (J/4).
- Loosen the four screws (J/5) and **carefully** remove the protective plate (J/6).

NOTE: Ensure the pressure spring (K/8) cannot jump out. Secure the pressure spring in position before cleaning.



- Clean the inside, in particular the brake band area (K/7), with a brush.
NOTE: Do not clean the brake mechanism, in particular the spring (K/8), because it could jump out of its guide.
NOTE: Do not remove the foam material (K/9).
- Remount the protective plate and the guide plate.
- After mounting carry out a functional check of the chain brake (see page 22).

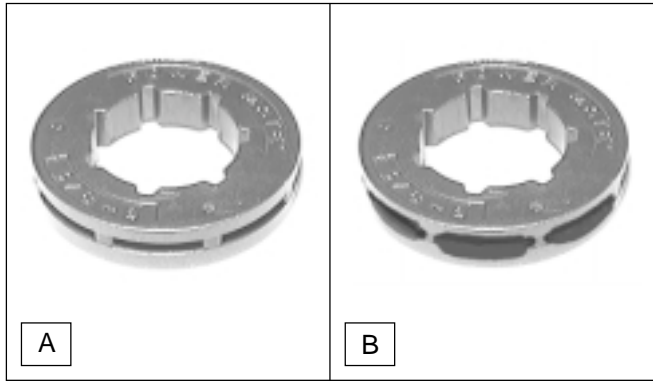


SERVICE

NOTE:

The chain brake is a very important safety device and like any other component subject to normal wear and tear. It is recommended to have it checked and maintained regularly for your own safety by a MAKITA service center.

Checking the sprocket

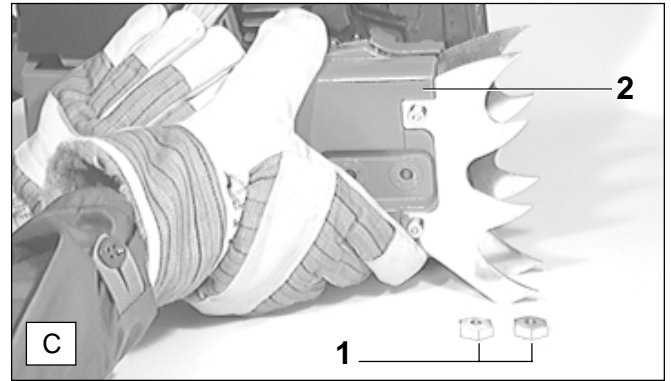


Check the sprocket before mounting a new chain (A).
Worn out sprockets (more than 0,2 mm) (B) may damage the new chain and must therefore be replaced.

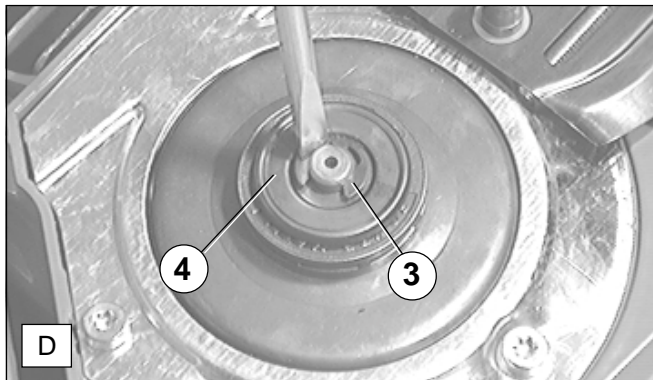
Replacing the sprocket



CAUTION:
Protective gloves must be put on.



- Loosen the fastening nuts (C/1).
- Pull off the sprocket guard (C/2).

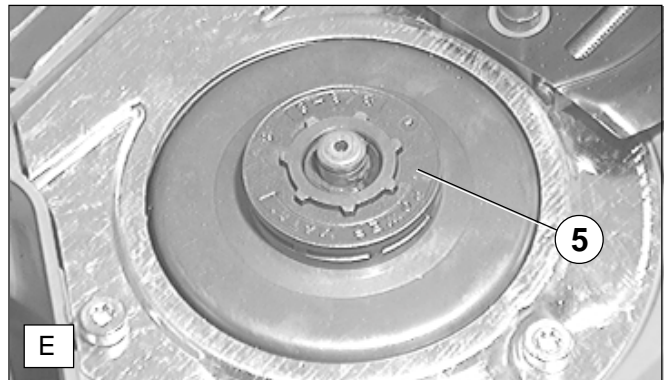


- Use the universal wrench to remove the locking washer (D/3).

CAUTION:

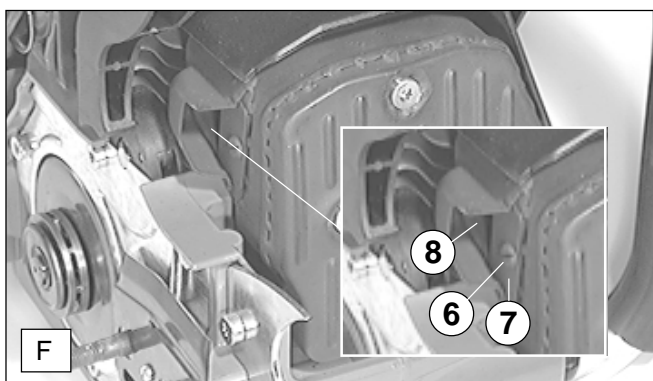
The locking washer might jump out on removing.

- Remove the thrust washer (D/4) underneath it.



- Take off the sprocket (E/5) from the clutch drum.
- Position the new, slightly oiled sprocket and remount all parts in the reverse order.

Replacing/cleaning the spark arrester screen

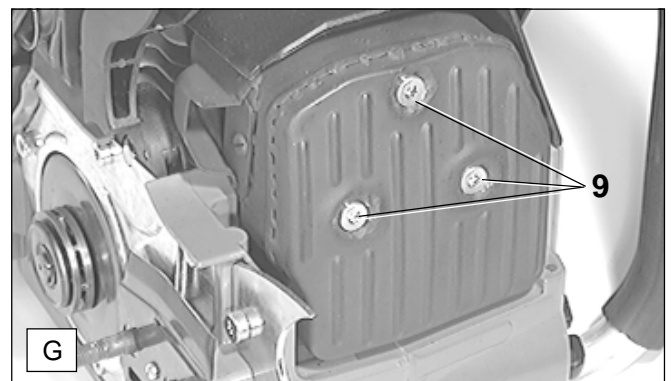


The spark arrester screen should be checked and cleaned regularly.

- Remove the screw (F/6), deflector plate (F/7) and arrester screen (F/8).

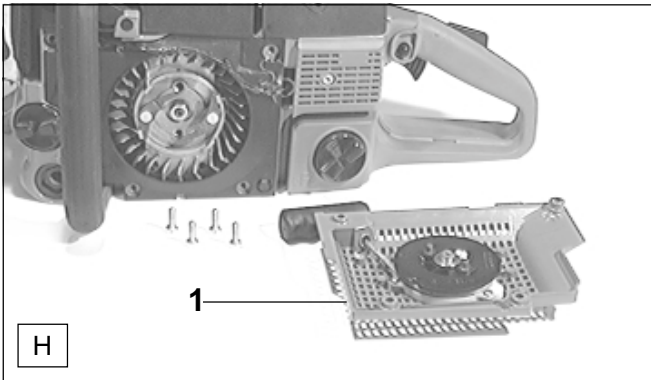
Caution: Do not use sharp or pointed objects for screen cleaning. Damaged or misformed screen wires may result.

Checking the muffler screws

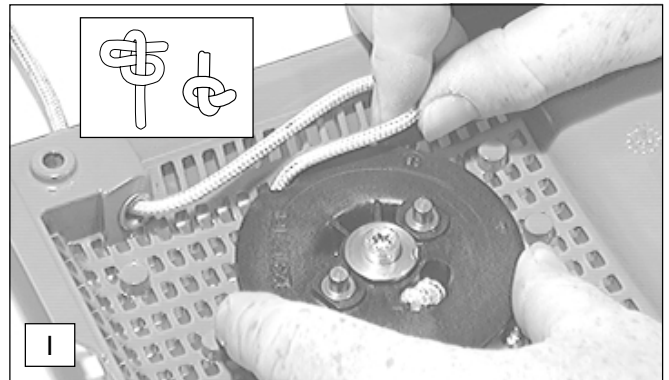


- Regularly check the three fastening screws (G/9) for tightness.

Replacing the starter cable



- Demount the fan housing (H/1) (4 screws).
- The cable drum must not be demounted.
- Remove the old cable.
- Mount the new cable 0.16" x 40" (ø 4x1000 mm) and tie it up in a **simple** knot in the drum, and in a knot **with a loop** in the starter grip. The end of the cable must not project the drum.

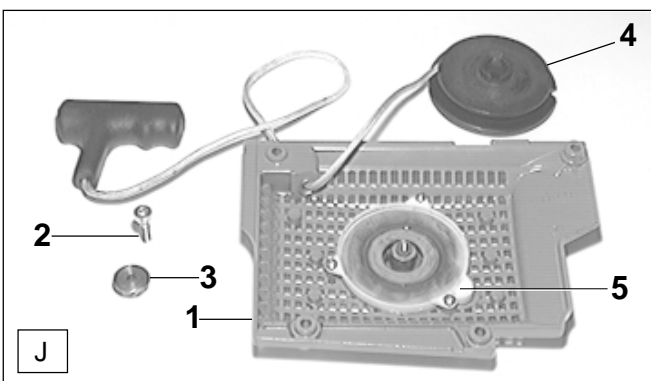


- Wind the cable around the drum as far as possible. Then pull the cable with the starter grip approx. 20" (50 cm) out of the drum, hold the drum tightly and wind the cable once again around the drum.
- Release the drum and let the cable wind up by means of the spring tension. The starter grip must now stand upright at the outside of the starter casing.

NOTE:

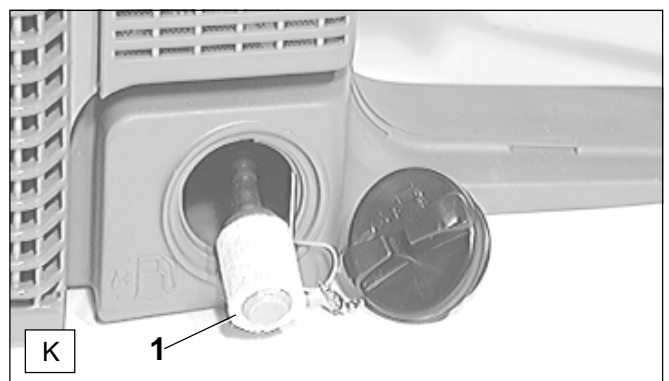
When the starter cable has been completely pulled out, it must be possible to turn the cable drum against the spring tension through 1/4 rotation.

Replacing the return spring



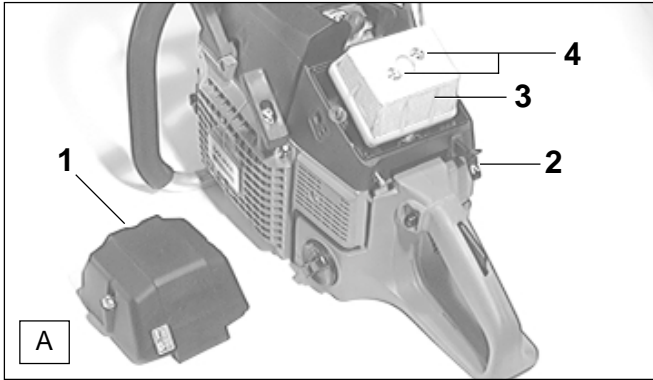
- Demount the fan housing (J/1).
- Loosen the screw with the star-shaped recess (J/2) on the pivot.
- Pull off the pivot (J/3).
- Remove the cable drum (J/4).
- Demount the spring cover (J/5) (3 screws).
- Slightly knock the hollow side of the fan housing on wood while holding it tightly. Thus the old spring will jump out and release.
- The new spring is delivered in a box, under full tension. For mounting the whole box is pressed into the fan housing and the wire ring is stripped off (a spring which has jumped out is remounted by turning it clockwise into the housing).

Replacing the suction head

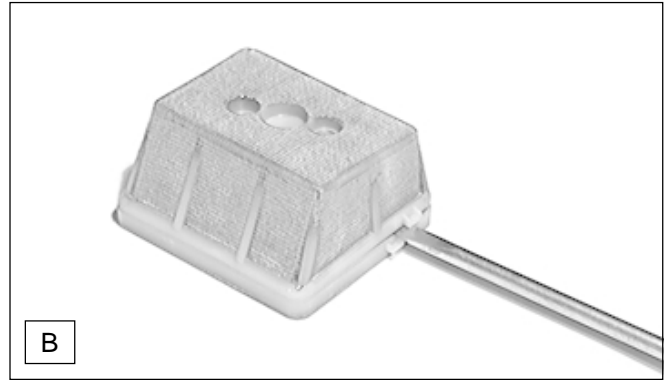


- Pull the suction head by means of a bent wire through the tank opening.
- The felt filter (K/1) of the suction head can be clogged.
- It is recommended to replace the suction head once every three months in order to guarantee an unimpeded fuel flow to the carburetor.

Cleaning the air filter



- Demount the filter cover (A/1) (2 screws).
Caution: Pull the choke (A/2) to shut the choke shutter and to prevent dirt particles from entering the carburetor.
- Loosen the two screws (A/4) and remove the air filter (A/3) from the intake stack.



- Position a screw driver between the two latches and separate the upper and lower part by turning it.
- Clean the air filter with a soft brush.
- If the filter is very dirty, clean it in lukewarm soapsuds with standard detergent.
- Let the air filter **dry completely**.
- Assemble the upper and lower part and put them on the intake stack. Firmly tighten the screws (A/4).

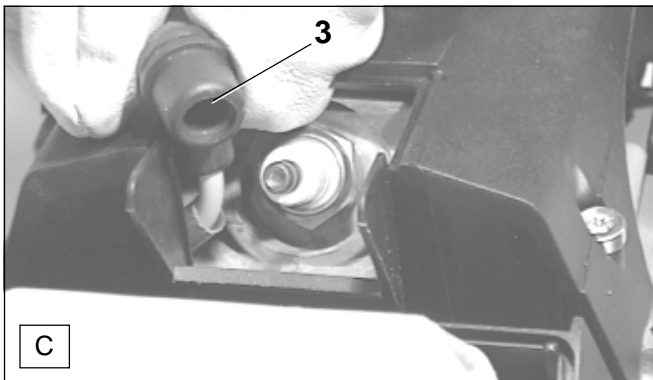
If the filter is very dirty, clean it frequently (several times a day), because only a clean air filter guarantees full engine power.

CAUTION:

Replace damaged air filters immediately.

Torn off pieces of cloth may destruct the engine.

Replacing the spark plug



CAUTION:

Do not touch the spark plug or plug cap if the engine is running (high voltage).

Switch off the engine before starting any maintenance work.

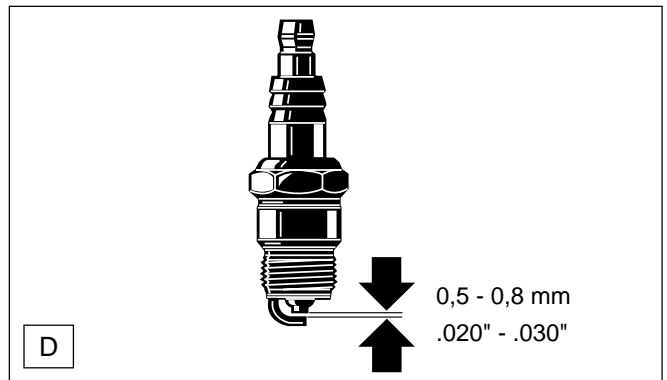
A hot engine can cause burns. Wear protective gloves!

The spark plug must be replaced in case of a damage of the insulating body, consumption of the electrodes or if the electrodes are very dirty or oily.

- Loosen both screws of the filter cover (A/1) and remove the filter cover (see fig. clean air filter).
- Pull off the plug cap (C/3) from the spark plug. Only use the universal wrench delivered with the chain saw for demounting.
- Mount the new spark plug in the reverse order.

CAUTION: Use only the following spark plugs:

- **NGK BPMR 7A** or **BOSCH WSR 6F**.



Electrode gap

The electrode gap must be .020\"-.030\" (0,5 - 0,8 mm).

Checking the ignition spark

- Press the loosened spark plug with the firmly connected ignition cable against the cylinder by means of insulated pliers (not near the spark plug opening).
- ON/OFF switch in START position "I".
- Start the engine by forcefully pulling out the starter cable.

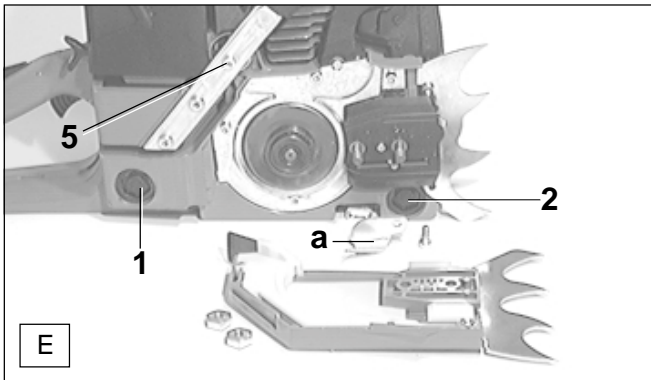
If the function is correct, an ignition spark must be visible near the electrodes.

Replacing the vibration dampers

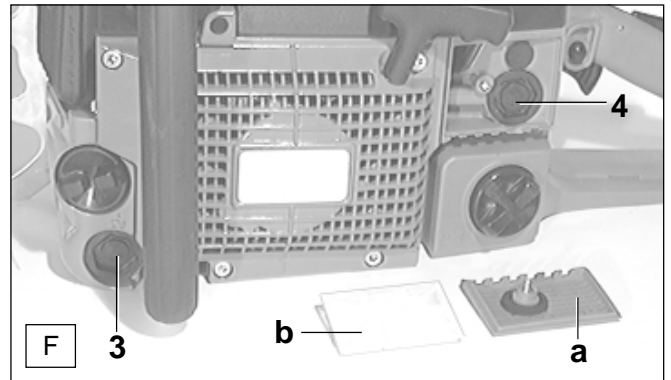
CAUTION:

Protective gloves must be put on.

Always replace all five vibration dampers.

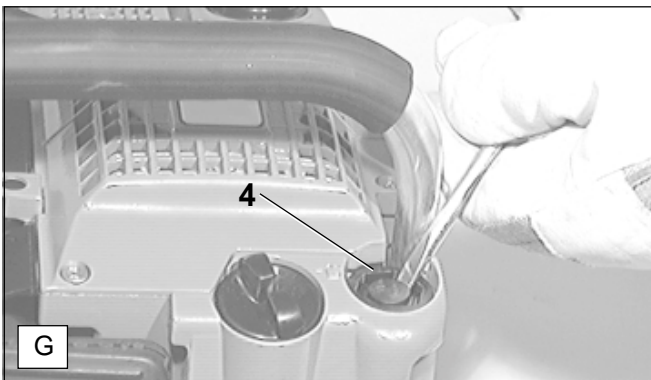


- The vibration damper (E/1) is installed next to the identification plate.
- The vibration damper (E/2) is installed underneath the guide bar support. The chain catch (a) must be removed.
- The vibration damper (E/5) is installed under the mounting arm of the tubular handle.

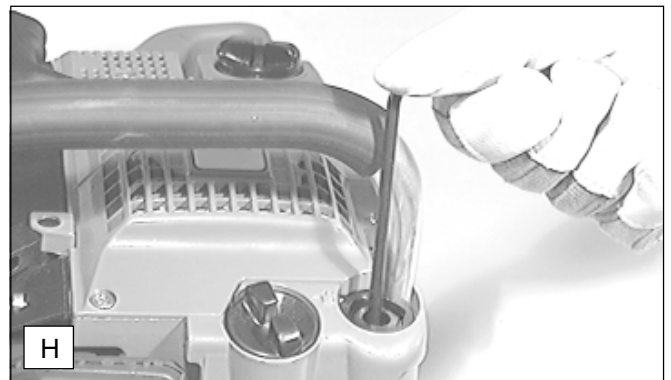


- The vibration damper (F/3) is installed underneath the oil tank cap.
- The vibration damper (F/4) is installed underneath the pre-filter. The cover (a) and pre-filter (b) must be removed.

Replacing vibration dampers 1 - 4

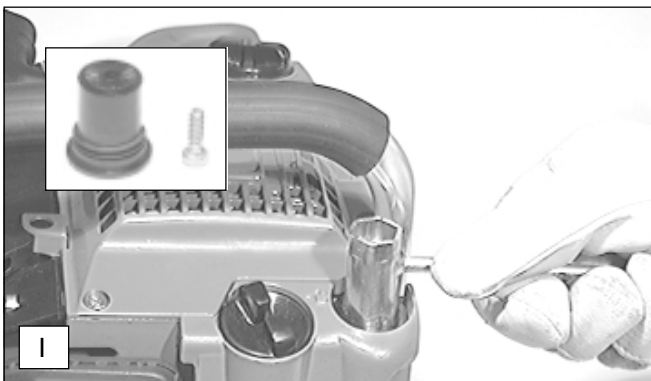


- Put the saw chain on its side and carefully remove the protective cover (G/4) by means of the universal wrench.

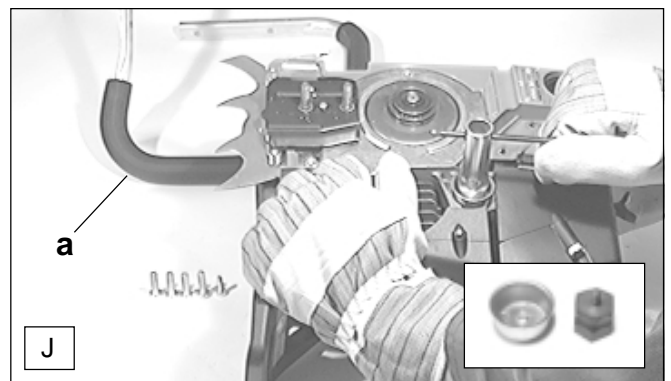


- Use the offset screw driver to loosen the screw inside.

Replacing vibration damper 5



- Carefully demount the vibration damper by means of the universal wrench.
- The vibration damper is mounted in the reverse order.



- Demount the tubular handle (a) (5 screws).
- Use the socket wrench (accessories, not delivered with the chain saw) to demount the vibration damper carefully.
- The new vibration damper is mounted in the reverse order.

Instructions for daily and periodic maintenance

To ensure long life, prevent damage and ensure the full functioning of the safety features the following maintenance must be performed regularly. Guarantee claims can be recognized only if this work is performed regularly and properly. Failure to perform the prescribed maintenance work can lead to accidents!

Perform the following servicing work daily after use. Make a habit of it, it does not require much time and your saw will always function properly.

Possibly hidden faults can be detected in this manner before causing expensive and annoying interruptions of your work. In case you should detect a fault in the safety equipment when performing daily servicing, the saw must not be used before elimination of the fault.

The user of the chain saw must not perform maintenance work which is not described in the Owner's Manual. All such work must be carried out by a MAKITA service center.

			Page
General work	Chain saw	Clean the outside and check for damage. In case of any damage have it immediately repaired by a service center.	26
	Sprocket Chain brake	Replace in time. Have it regularly checked by a service center.	
Before each start	Chain	Check for damage and sharpness. Resharpener regularly, replace in time. Check the chain tension.	24-25 19
	Guide bar	Check for damage.	21-22 22
	Chain lubrication	Functional check.	
	Chain brake	Functional check.	
	ON/OFF switch, Safety locking button Throttle lever	Functional check.	22
Fuel/oil tank plug	Check for tightness.	21	
Every day	Air filter	Clean.	28
	Guide bar	Check for damage, clean oil intake bore. Turn it over so that the bearing surfaces are equally worn. Replace in time.	21
	Guide bar support Idling speed	Clean, in particular the oil guide groove. Check (chain must not run).	25 23
Every week	Fan housing	Clean to ensure a perfect cooling air supply. For this the fan housing must be demounted.	27
	Carburetor interior and cylinder ribs	Clean, for this demount cover and protective cover.	25
	Chain brake	Clean the brake band (sawdust, oil)	
	Spark plug	Check and replace if necessary.	28
	Muffler	Tighten fastening screws, clean spark arrester screen	26
	Vibration damper Chain guide	Check. Check.	29
Every 3 months	Suction head	Replace.	27
	Fuel/Oil tank	Clean.	
Annually	Chain saw	Check at an authorized service centre	
Storage	Guide bar/chain	Demount, clean and oil slightly. Clean the guide groove of the guide bar.	25
	Fuel/oil tank	Empty and clean.	
	Oil pump	Clean.	
	Carburetor	Run empty.	

Service, spare parts and guarantee

Maintenance and repair

The maintenance and repair work of modern engines as well as all safety related assemblies require qualified technical training and the availability of a workshop equipped with special tools and testing devices.

We therefore recommend you to consult a MAKITA service center for the performance of all work not described in this Owner's Manual.

The MAKITA service centers are provided with all the necessary equipment and skilled and experienced personnel to work out correct customer solutions and to advise you in all matters accordingly.

Please contact your nearest service center. Should you however not have an address for a MAKITA service center then please contact the MAKITA general trading company (see last page) who will gladly provide you with the address of your nearest MAKITA service center.

Spare parts

A reliable and continuous operation as well as the safety of your chain saw depend among others on the quality of the spare parts used. Use only original MAKITA parts, marked



Only original spare parts and accessories guarantee the highest quality in material, accuracy to size and function and safety.

Original spare parts and accessories can be obtained from your local dealer. He will also have the spare part lists to determine the required spare part numbers, and will be constantly informed about the latest improvements and also about spare part innovations. Please, take in mind that in case foreign spare parts are used instead of original MAKITA spare parts this will automatically invalidate the MAKITA product guarantee.

Guarantee

MAKITA guarantees the highest quality and will therefore reimburse all costs for mending through replacement of damaged parts as a result of material or production faults, which occur within the guarantee time after purchase.

Please, note that in some countries particular guarantee conditions may exist. In case of any doubts, please, contact your salesman who is responsible for the guarantee of a product.

We ask for your understanding that we cannot accept any responsibility for damage caused by:

- Disregard of the Owner's Manual.
- Non-performance of the required maintenance and cleaning instructions.
- Wrong carburetor adjustment.
- Normal wear and tear.
- Obvious overload due to permanent excess of the upper limits of capacity.
- Use of guide bars and chains which have not been approved.
- Use of guide bar and chain lengths which have not been approved.
- Use of force, improper use, misuse or accidents.
- Overheating due to dirt on the cylinder ribs and the fan housing.
- Works on the chain saw by unskilled persons or performance of inappropriate repairs.
- Use of unsuitable spare parts or parts which are not original MAKITA parts, as far as they have caused the damage.
- Use of unsuitable or old oil.
- Not tightening external screw connections in time.
- Damage related to conditions arising from lease or rent contracts.

Cleaning, servicing and adjustment works are not covered by the guarantee. All repairs covered by the guarantee are to be performed by a MAKITA service center.

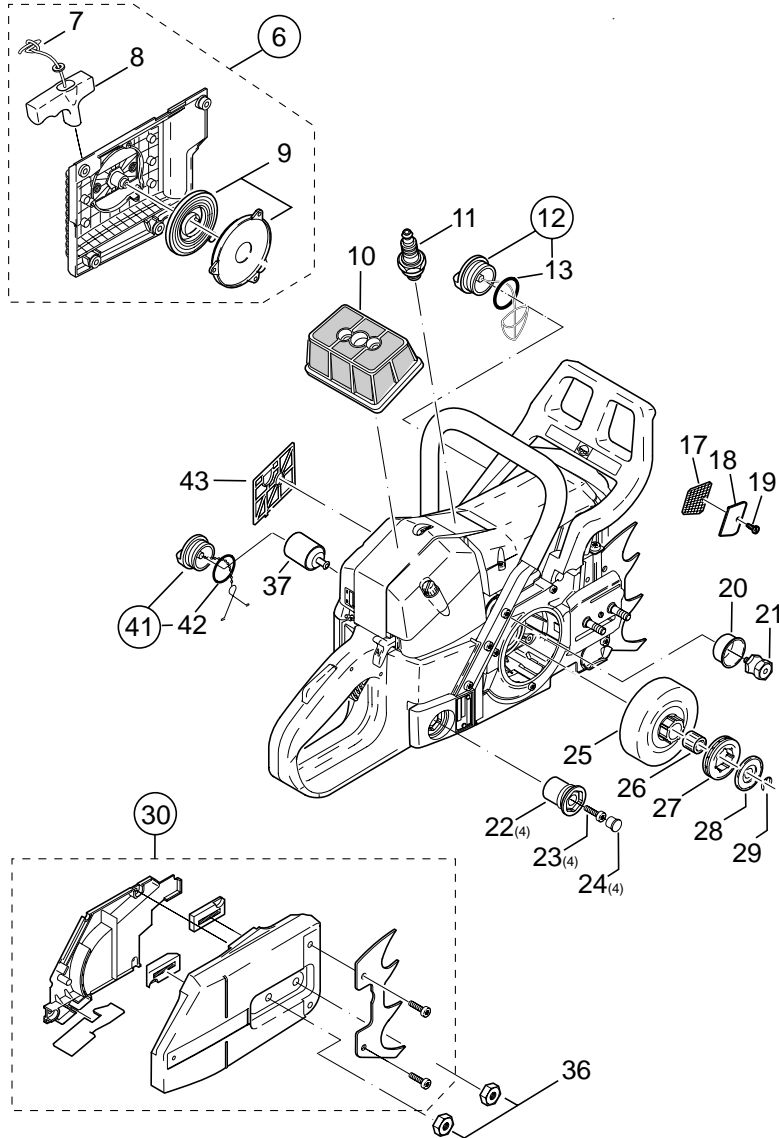
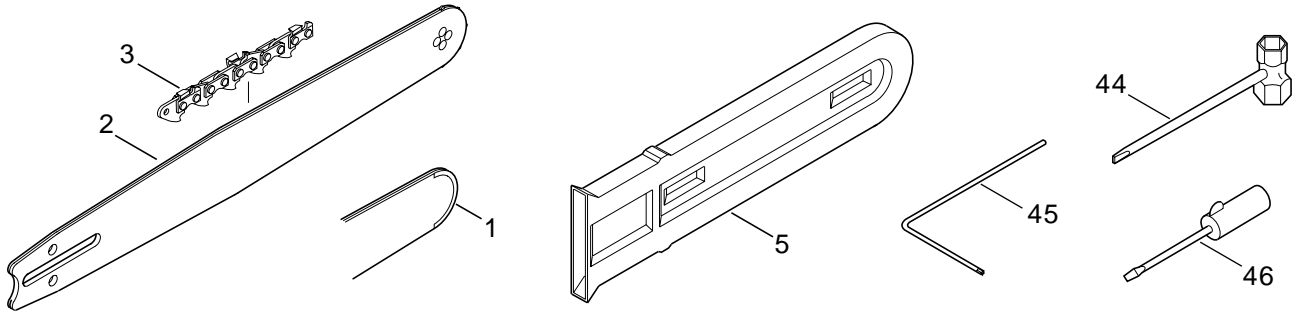
Troubleshooting

Malfunction	System	Observation	Cause
Chain does not run	Chain brake	Engine runs	Chain brake actuated.
Engine does not start or only with difficulties	Ignition system	Ignition spark No ignition spark	Malfunction in fuel supply system, compression system, mechanical malfunction. STOP switch actuated, malfunction or short circuit in cabling, plug cap, spark plug or ignition module defective.
rings	Fuel supply	Fuel tank is filled	Choke in wrong position, carburetor defective, suction head dirty, fuel line bent or interrupted.
	Compression system	Inside	Cylinder base packing ring defective, radial shaft packings defective, cylinder or piston defective
	Mechanical malfunction	Outside Starter does not engage	Spark plug does not seal. Spring in starter broken, broken parts inside the engine.
Warm start difficulties	Carburetor	Fuel tank is filled Ignition spark	Wrong carburetor adjustment.
Engine starts, but dies immediately	Fuel supply	Fuel tank is filled	Wrong idling adjustment, suction head or carburetor dirty. Tank venting defective, fuel line interrupted, cable defective, STOP switch defective, starting valve dirty.
Insufficient output	Several systems may be involved simultaneously	Engine is idling	Air filter dirty, wrong carburetor adjustment, muffler clogged, exhaust channel in cylinder clogged, spark arrester screen clogged.
No chain lubrication	Oil tank/pump	No oil on the chain	Oil tank empty. Oil guide groove dirty.

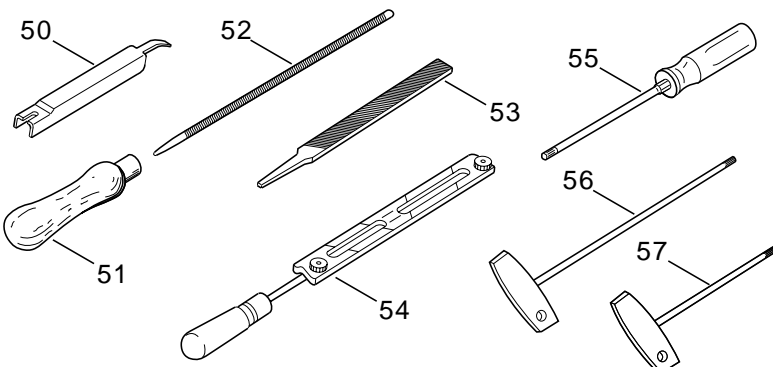
Extract from the spare parts list

Use original MAKITA spare parts only. For performance of repairs and replacement of other parts your MAKITA service center should be consulted.

DCS 9010



Pos.	MAKITA No.	Qty.	Denomination
1	443 050 452	1	Solid nose bar 50 cm (20")
	443 060 452	1	Solid nose bar 60 cm (24")
	443 074 452	1	Solid nose bar 74 cm (29")
2	443 050 652	1	Sprocket nose bar 50 cm (20")
	443 060 652	1	Sprocket nose bar 60 cm (24")
3	528 099 672	1	Saw chain 3/8" for 50 cm (20")
	528 099 680	1	Saw chain 3/8" for 60 cm (24")
	528 099 696	1	Saw chain 3/8" for 74 cm (29")
5	952 100 653	1	Chain protection, 20-24"
	952 100 171	1	Chain protection, 29"
6	024 112 630	1	Starter device cpl.
7	122 164 010	1	Starter cable
8	965 402 262	1	Starter grip
9	020 163 031	1	Return spring
10	024 173 230	1	Air filter (Robkoflok)
11	965 603 021	1	Spark plug
12	010 114 050	1	Oil tank cap cpl.
13	963 228 030	1	O-Ring
17	024 174 160	1	Spark arrester screen
18	024 174 171	1	Deflector plate
19	915 142 090	1	Self-tapping screw
20	965 551 250	1	Housing
21	965 403 430	1	Vibration damper
22	965 403 461	4	Vibration damper
23	913 455 204	4	Socket-head-screw
24	965 404 740	4	Plug
25	024 223 041	1	Clutch drum
26	962 210 024	1	Needle cage
27	119 224 070	1	Sprocket 3/8", Z=7
28	001 224 011	1	Thrust washer
29	927 308 000	1	Locking washer
30	024 213 670	1	Sprocket guard cpl.
36	923 208 004	2	Hexagonal nut
37	963 601 120	1	Suction head
41	965 451 901	1	Fuel tank cap cpl.
42	963 232 045	1	O-Ring
43	024 173 081	1	Pre-filter
44	941 719 171	1	Universal wrench
45	940 827 000	1	Angled screw driver
46	944 340 001	1	Carburetor screw driver



Accessories (not delivered with the chain saw)

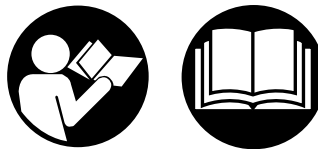
50	953 100 071	1	Chain gauge
51	953 004 010	1	File handle
52	953 003 040	1	Round file 7/32" dia. (5,5 mm)
52	953 003 070	1	Round file 3/16" dia. (4,8 mm)
53	953 003 060	1	Flat file
54	953 009 000	1	File holder
			(with round file 7/32" (5,5 mm))
-	953 007 000	1	File block for guide bar
55	944 500 860	1	✚ Screw driver
56	944 500 862	1	✚ Screw driver 8" (200 mm)
57	944 500 861	1	✚ Screw driver 4" (100 mm)
-	944 500 621	1	Socket wrench
			(for vibration damper)
-	949 000 031	1	Combined can
			(for 5l fuel, 2,5l chain oil)

ATTENTION!

Une utilisation négligente ou incorrecte de ce produit peut entraîner des blessures graves ou mortelles! Avant d'utiliser une tronçonneuse ou d'autres produits MAKITA, il est important que vous ayez lu et entièrement compris et que vous suiviez avec soin les instructions fournies par le présent mode d'emploi. Le retour de chaîne peut entraîner des blessures graves ou mortelles et constitue l'un des nombreux dangers potentiels liés à l'utilisation d'une tronçonneuse. Ce mode d'emploi décrit de façon détaillée le retour de chaîne et les autres mesures de sécurité. D'autres exemplaires de ce mode d'emploi peuvent être commandés auprès de MAKITA U.S.A., INC., 14930-C Northam Street, La Mirada, CA 90638-5753, USA, Telephone: (714) 522 80 88 et de MAKITA CANADA INC., 1950 Forbes Street, Whitby, Ontario, Canada, L1N 7B7, téléphone (905) 571 22 00.

Ce produit est en conformité avec: la norme de sécurité pour tronçonneuses B 175.1-1991 de l'American National Standard Institute,
la norme de sécurité pour tronçonneuses Z62.1-95 de la Canadian Standards Association.
Société du génie automobile
SAEJ 335-Juin 95 „Petit système d'échappement portable ne produisant aucune étincelle”

Cette tronçonneuse est un produit allemand de qualité. Ce mode d'emploi contient des instructions importantes pour son montage et son utilisation. Pour votre sécurité, lisez très soigneusement les instructions de prévention des accidents avant de mettre en service votre tronçonneuse car une utilisation incorrecte peut, malgré toutes les précautions prises, entraîner des accidents. Avec un peu de soin et d'attention, ce produit de toute première qualité vous rendra d'excellents services et vous donnera entière satisfaction pendant très longtemps. Dans l'appareil ont été observés les droits de protection suivants: US 5411382, EP 0440827, EP0560201, GBM 8909508, GBM 8913638, GBM 9203378.



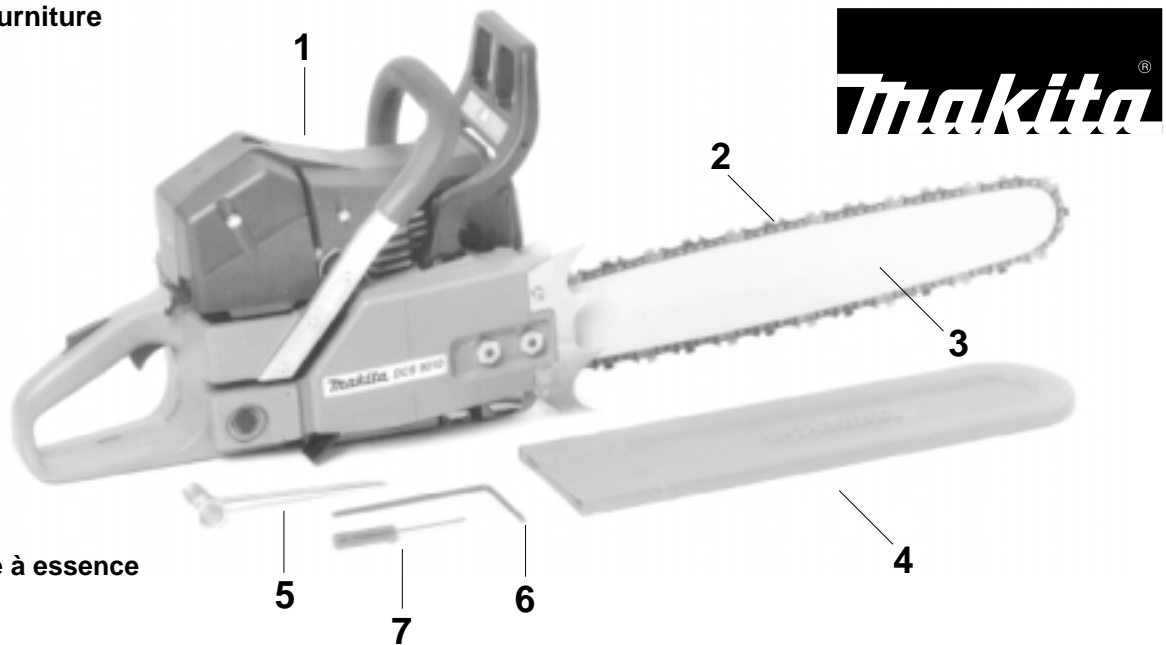
MAKITA DCS 9010

Sommaire	page	page	
Emballage	33	Affûtage de la chaîne de sciage	55-56
Etendue de la fourniture	34	Nettoyer le guide de la chaîne	56
Symboles	34	Nettoyer la bande de frein de chaîne	56
Mesures de sécurité	35-46	Vérifier / changement de la roue à chaîne	57
Désignation des pièces	47	Changement / nettoyage du pare-étincelles	57
Caractéristiques techniques	48	Contrôler les vis du silencieux	57
MISE EN ROUTE	49-54	Remplacement du cordon de lancement	58
Montage du guide et de la chaîne de sciage	49	Remplacement du ressort de rappel	58
Contrôle de tension de la chaîne	50	Remplacement de la crépine d'aspiration	58
Frein de chaîne	50	Nettoyage du filtre d'air	59
Carburant/ravitaillement	51	Remplacement de bougie	59
Réglage du graissage de la chaîne	52	Remplacement de l'amortisseur de vibrations	60
Démarrer / arrêter le moteur	53	Instruction d'entretien quotidien et périodique	61
Vérifier le frein de chaîne	53	Service d'atelier, pièces de rechange	
Vérifier le graissage de la chaîne	53	et garantie	61-62
Réglage du carburateur	54	Recherche de pannes	62
Marche hivernale	54	Extrait de la liste des pièces de rechange	63
TRAVAUX DE MAINTENANCE	55-61	Liste d'adresses	64

Les tronçonneuses MAKITA DCS 9010 sont livrées dans un carton qui les protège des dommages dus au transport. Le carton est une matière première de base qui peut être réutilisée ou recyclée (recyclage des vieux papiers).



Etendue de la fourniture



1. Tronçonneuse à essence
2. Chaîne
3. Guide
4. Housse de protection du guide
5. Outillage de montage
6. Tournevis coudé
7. Tournevis pour le réglage du carburateur
8. Manuel d'emploi et de sécurité (sans illustration)

Si un des composants indiqués ici ne devait pas être dans la fourniture, veuillez vous adresser à votre vendeur!

Symboles

Vous rencontrerez les symboles suivants sur l'appareil et dans le manuel d'emploi et de sécurité:

	Lire manuel d'emploi et suivre les consignes de sécurité et d'avertissement!		Arrêter le moteur!
	Danger et attention particuliers!		Porter des gants de protection!
	Interdit!		Frein de chaîne
	Porter le casque, les lunettes et acoustiques de protection!		Attention, choc de recul (Kickback)!
	Interdiction de fumer!		Mélange carburant
	Pas de feu ouvert!		Réglage du carburateur
	Interrupteur de marche/arrêt (I/O)		Huile pour chaîne de sciage
	Appuyer sur la soupape de mise en marche		Fonctionnement en hiver
	Démarrer le moteur		Premier secours
	Levier choke		Recyclage

Symboles additionnels voir page 36.

Mesures de sécurité à respecter par les utilisateurs de tronçonneuses

Lorsque vous utilisez la tronçonneuse, veuillez respecter les règles suivantes :

- a) Évitez tout contact entre la pointe du guide et tout objet.
- b) Le contact de la pointe peut entraîner un déplacement brutal du guide vers le haut et vers l'arrière et être à l'origine de blessures graves ou mortelles.
- c) Il faut toujours utiliser la tronçonneuse en la tenant des deux mains.

ATTENTION!

Lisez et respectez toutes les mesures de sécurité indiquées dans le mode d'emploi. Le non-respect des instructions peut avoir pour conséquence des blessures graves. Ne prêter des tronçonneuses qu'à des utilisateurs ayant une expérience avec les tronçonneuses à chaîne. Dans ce cas, les instructions d'emploi et de sécurité doit être remise au prêteur.

ATTENTION!

Cette tronçonneuse est capable de violents retours de chaîne qui peuvent blesser gravement l'utilisateur. N'utilisez cette tronçonneuse que si vous avez besoin de procéder à des travaux intensifs et si vous disposez d'une expérience et d'une formation vous permettant de maîtriser le choc de recul. Il existe des tronçonneuses à risque de choc de recul réduit.

ATTENTION!

Le choc de recul peut se produire lorsque la pointe ou l'extrémité du guide touche un objet ou lorsque le bois se referme et coince la chaîne dans la coupe. Le contact peut arrêter brutalement la **chaîne** et dans certains cas causer une **réaction** inverse extrêmement rapide, entraînant un déplacement du guide vers le haut et vers l'arrière vers l'utilisateur. Le **choc de recul** peut vous faire perdre le contrôle de la tronçonneuse.

Certaines mesures peuvent être prises par les utilisateurs de tronçonneuses pour réduire le risque de choc de recul et de blessure.

- A. Si vous avez bien assimilé le principe du choc de recul, vous pouvez réduire ou éliminer l'effet de surprise qui augmente le risque d'accident.
- B. Lorsque le moteur tourne, tenez fermement la tronçonneuse à deux mains, la main droite sur la poignée arrière et la main gauche sur la poignée tubulaire. Tenez fermement les poignées de la tronçonneuse en les entourant avec le pouce et les autres doigts. Une prise ferme peut neutraliser le choc de recul et vous aider à garder le contrôle de la tronçonneuse. Ne lâchez pas prise!
- C. Assurez-vous que la zone où vous travaillez ne présente pas d'obstacles. Ne laissez pas la pointe du guide toucher le rondin, la branche ou tout autre obstacle qui pourrait être heurté pendant que vous utilisez la tronçonneuse.
- D. Ne coupez pas les bras tendus ou plus haut qu'à hauteur d'épaules.
- E. Respectez les instructions du fabricant relatives à l'affûtage et à l'entretien de la tronçonneuse.
- F. N'utilisez que les guides et les chaînes indiqués par le constructeur ou des pièces équivalentes.

Mesures de sécurité supplémentaires

Tous les utilisateurs de tronçonneuses doivent respecter les mesures de sécurité supplémentaires ci-dessous :

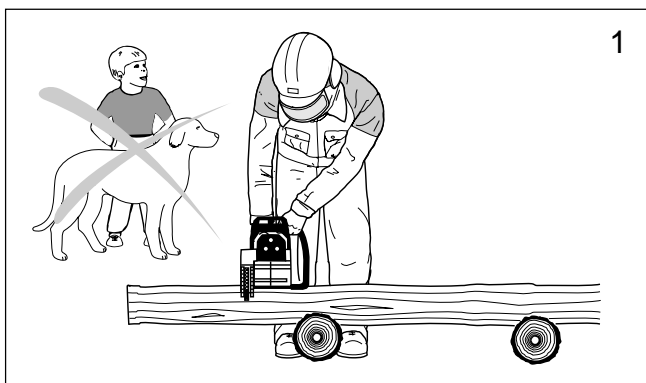
1. Ne travaillez pas avec une tronçonneuse lorsque vous êtes fatigué.
2. Utilisez des chaussures de sécurité, des vêtements ajustés, des gants de sécurité ainsi que des lunettes, un casque antibruit et un casque de sécurité.
3. Maniez le carburant avec prudence. Eloignez la tronçonneuse d'au moins 10 pieds (3 m) du point de ravitaillement avant de démarrer le moteur.
4. Assurez-vous que personne ne se trouve à proximité de la tronçonneuse au moment du démarrage ou pendant la coupe. Maintenez les spectateurs et les animaux en dehors de la zone de travail.
5. Ne commencez pas la coupe avant d'avoir dégagé la zone de travail, de vous être assuré une position stable au sol et d'avoir prévu une voie de repli vous permettant de vous retirer lorsque l'arbre s'abattra.
6. Lorsque le moteur tourne, maintenez la chaîne de la tronçonneuse à distance de votre corps.
7. Avant de démarrer le moteur, assurez-vous que la chaîne ne touche aucun objet.
8. Portez la tronçonneuse moteur arrêté, le guide et la chaîne vers l'arrière et le pot d'échappement éloigné de vous.
9. N'utilisez pas de tronçonneuse endommagée, incorrectement réglée ou incomplètement et incorrectement montée. Assurez-vous que la chaîne s'arrête lorsque vous relâchez la gâchette des gaz.
10. Arrêtez le moteur avant de poser la tronçonneuse.
11. Soyez extrêmement prudent lorsque vous coupez des broussailles et des jeunes arbres de petites dimensions car du petit bois peut se prendre dans la chaîne de la tronçonneuse et être projeté vers vous ou vous tirer en vous faisant perdre l'équilibre.
12. Lorsque vous coupez des grosses branches qui forcent, faites attention à la détente pour ne pas être heurté lorsque la tension sur les fibres du bois se relâchera.
13. Maintenez les poignées de la tronçonneuse sèches, propres et exemptes d'huile ou de mélange deux temps.
14. N'utilisez la tronçonneuse que dans des endroits correctement ventilés.
15. Ne montez pas dans un arbre avec la tronçonneuse à moins d'avoir reçu une formation spécifique pour ce type d'utilisation.
16. Toutes les opérations d'entretien de la tronçonneuse autres que celles indiquées dans les instructions d'entretien du mode d'emploi doivent être effectuées par MAKITA. (Par exemple, l'utilisation d'outils inappropriés pour retirer le volant ou pour maintenir le volant afin de retirer l'embrayage peut entraîner des détériorations du volant et par voie de conséquence son éclatement).
17. Ne transportez la tronçonneuse que munie de la protection de chaîne.
18. Les guides et les chaînes à faible choc de recul sont conçus pour réduire le risque de blessure par choc de recul. Pour toute information sur ces produits, adressez-vous à votre revendeur MAKITA.

Mesures générales de sécurité

L'utilisation de toute tronçonneuse peut être dangereuse. A plein régime, la chaîne peut atteindre une vitesse de 45 mph (20 m/s). Il est important que vous ayez lu et entièrement compris et que vous suiviez les mesures de sécurité et les mises en garde suivantes. Relisez de temps en temps le mode d'emploi et les instructions de sécurité.

ATTENTION!

Les forces de réaction, y compris le choc de recul, peuvent être dangereuses. Une utilisation négligente ou incorrecte de toute tronçonneuse peut entraîner des blessures graves ou mortelles. Demandez à votre revendeur MAKITA de vous montrer comment utiliser la tronçonneuse. Respectez l'ensemble des règlements, normes et arrêtés de sécurité localement en vigueur.



ATTENTION!

L'utilisation d'une tronçonneuse doit être interdite aux mineurs.

Il faut éloigner les spectateurs, en particulier les enfants et les animaux, de la zone d'utilisation de la tronçonneuse (fig. 1).

Ne laissez jamais la tronçonneuse fonctionner sans surveillance.

Conservez-la sous clé hors de portée des enfants. Remplissez le réservoir de carburant aux 7/8 (cf. stockage de la tronçonneuse).

Ne prêtez pas votre tronçonneuse sans ce mode d'emploi. Assurez-vous que toute personne utilisant votre tronçonneuse a bien compris les informations fournies.

L'utilisation correcte d'une tronçonneuse dépend :

1. de l'utilisateur
2. de la tronçonneuse
3. de l'utilisation qui est faite de la tronçonneuse.

Description des symboles figurant sur les tronçonneuses:

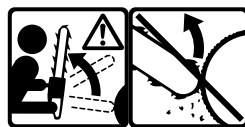


Z 62.1-95
Classe 1A

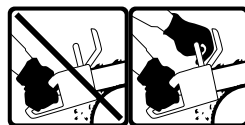
Conformité avec les
normes CSA

ANSI B175.1-1991

Conformité avec les
normes ANSI



Il faut éviter tout contact de la pointe du guide avec un objet quelconque. Le contact de la pointe peut entraîner un déplacement brutal du guide vers le haut et vers l'arrière et être à l'origine de blessures graves ou mortelles.

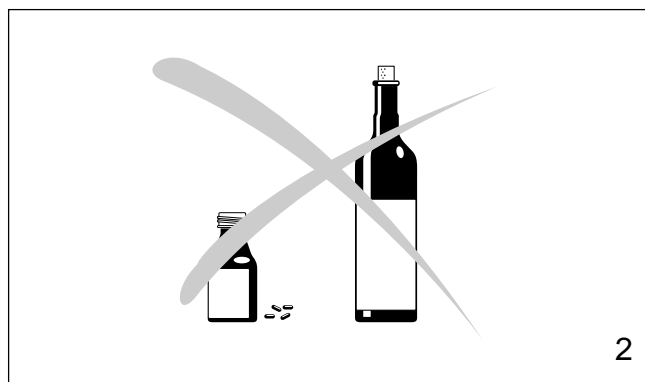


Il faut toujours utiliser la tronçonneuse en la tenant des deux mains!

L'utilisateur

Condition physique

Vous devez être en bonne forme physique et mentale et n'être sous l'influence d'aucune substance (stupéfiants, alcool) pouvant diminuer votre acuité visuelle, votre habileté ou votre jugement.



ATTENTION!

L'utilisation prolongée de tronçonneuses expose l'utilisateur à des vibrations qui peuvent entraîner l'apparition de la maladie de Raynaud. Cette maladie se manifeste par une réduction de la sensibilité et de la régulation de la température au niveau des mains, par des engourdissements et des brûlures. Elle peut également entraîner des lésions nerveuses et circulatoires et une nécrose des tissus.

Toutes les tronçonneuses MAKITA sont donc munies d'un système antivibration qui est très important pour les personnes utilisant des tronçonneuses de façon régulière ou prolongée. Les systèmes antivibration ne garantissent pas que vous n'aurez pas la maladie de Raynaud mais elles en réduisent considérablement le risque. Les personnes utilisant une tronçonneuse de façon continue et régulière doivent toutefois examiner leur mains et leurs doigts et, si elles constatent des symptômes anormaux, consulter immédiatement un médecin.

Quels vêtements porter?

L'utilisateur doit porter des vêtements robustes et ajustés mais qui lui laissent une complète liberté de mouvement. Evitez les vestes amples, les écharpes, les cravates, les bijoux, les pantalons à pattes d'éléphant ou à revers ou quoi que ce soit qui puisse se prendre dans la tronçonneuse ou les broussailles. Portez une combinaison ou des jeans munis de renforts de protection contre la coupe (fig. 3).

Portez des gants de sécurité lorsque vous manipulez la tronçonneuse et la chaîne. Les gants antidérapants très résistants améliorent votre prise et protègent vos mains.



Pour travailler avec la tronçonneuse, il est important d'avoir une position stable au sol. Portez des chaussures montantes robustes munies de semelles antidérapantes. Il est conseillé de porter des chaussures de sécurité à embout acier.

Il est absolument indispensable de protéger correctement les yeux. Il est conseillé d'utiliser des lunettes antibuée ventilées et un evisière pour réduire le risque de blessure aux yeux et au visage.

Protégez-vous la tête en portant un casque de sécurité approprié. Le bruit de la tronçonneuse peut entraîner des lésions de l'ouïe. Utilisez donc toujours une protection antibruit (bouchons ou casque antibruit).

Les personnes utilisant une tronçonneuse de façon continue et régulière doivent faire examiner régulièrement leur acuité auditive .



Porter le casque, les lunettes et acoustiques de protection!

La tronçonneuse

Pièces composant la tronçonneuse : cf. les illustrations et les descriptions de la page 47.

ATTENTION!

Ne modifiez jamais une tronçonneuse de quelque façon que ce soit. Seuls les accessoires fournis par MAKITA ou expressément agréés par MAKITA pour une utilisation avec la tronçonneuse spécifiée sont autorisés.

ATTENTION!

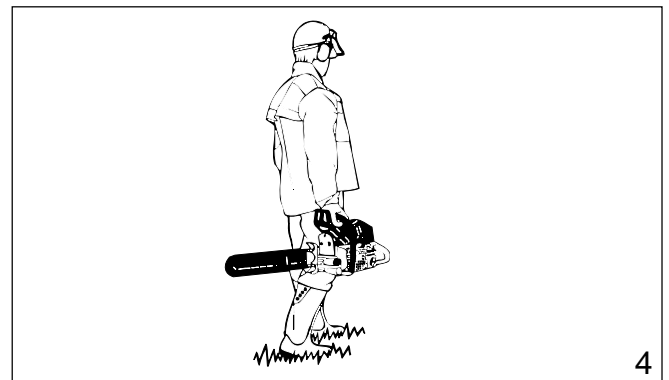
Les guides à étrier augmentent de façon importante le risque de choc de recul et donc de blessure grave ou mortelle en raison de la plus grande zone de choc de recul de la conception à étrier. Les guides à étrier ne sont pas conseillés pour les tronçonneuses MAKITA et il ne sont pas agréés par la norme de sécurité pour tronçonneuses ANSI B 175.1 1991.

Utilisation de la tronçonneuse

Transport de la tronçonneuse

ATTENTION!

Il faut toujours arrêter le moteur avant de déposer ou de porter la tronçonneuse. Il est très dangereux de porter la tronçonneuse avec le moteur en marche. Une accélération intempestive du moteur peut mettre la chaîne en marche. Evitez de toucher le pot d'échappement (risque de brûlure).



Transport à la main: lorsque vous portez votre tronçonneuse à la main, le moteur doit être arrêté et la tronçonneuse doit être en position correcte. La protection de la chaîne doit être mise et le guide doit être orienté vers l'arrière. Lorsque vous portez la tronçonneuse, le guide doit être derrière vous (fig. 4).

Dans un véhicule: lors du transport de la tronçonneuse dans un véhicule, la chaîne et le guide doivent être recouverts avec la protection. Fixez correctement la tronçonneuse pour l'empêcher de se renverser et éviter les fuites de carburant et les détériorations de la tronçonneuse. Assurez-vous que la tronçonneuse n'est pas exposée à la chaleur ou à des étincelles.

Instructions d'utilisation de la tronçonneuse

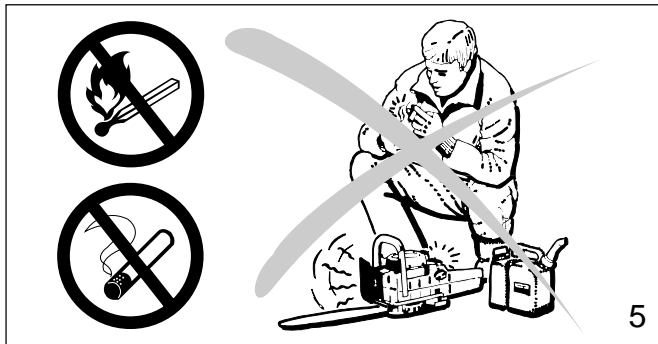
Pour monter la tronçonneuse, suivez la procédure indiquée au chapitre „Montage du guide et de la chaîne“ de ce mode d'emploi. La chaîne, le guide et le pignon MAKITA doivent être assortis (cf. chapitre correspondant de ce mode d'emploi).

ATTENTION!

Il est extrêmement important que la chaîne soit correctement tendue. Pour éviter un réglage incorrect, il faut tendre la chaîne en suivant la procédure indiquée dans ce mode d'emploi. Après avoir tendu la chaîne, assurez-vous toujours que le ou les écrous hexagonaux du cache-pignon sont bien serrés. Vérifiez encore une fois la tension de la chaîne après avoir serré les écrous puis à intervalles réguliers (toujours avant le début du travail). Si la chaîne se détend pendant la coupe, arrêtez le moteur et tendez-la. N'essayez jamais de tendre la chaîne pendant que le moteur est en marche!

Ravitaillement en carburant

Votre tronçonneuse MAKITA fonctionne au mélange deux temps (cf. chapitre „Carburant“ de ce mode d'emploi).



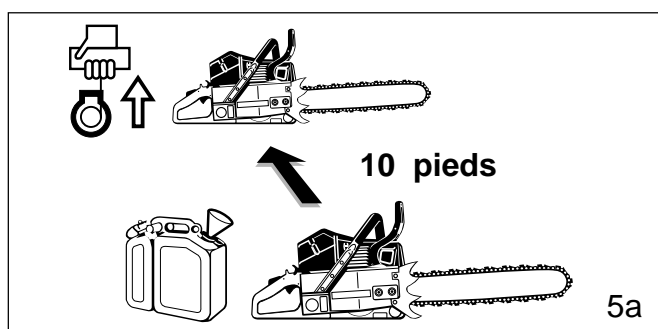
ATTENTION!

L'essence est un carburant très inflammable. Soyez extrêmement prudent lorsque vous manipulez l'essence ou le mélange deux temps. Ne fumez pas et évitez la présence de toute étincelle ou flamme à proximité du carburant (fig. 5).

Instructions de ravitaillement



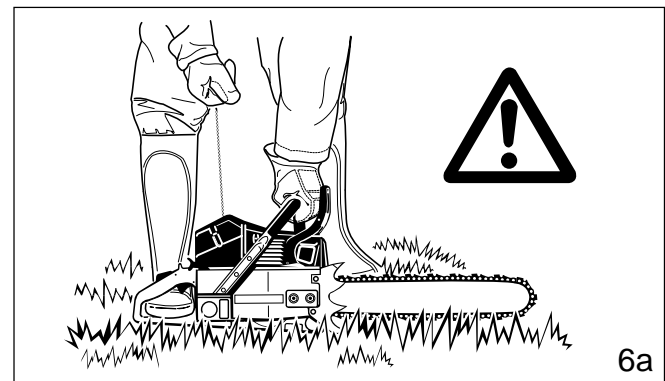
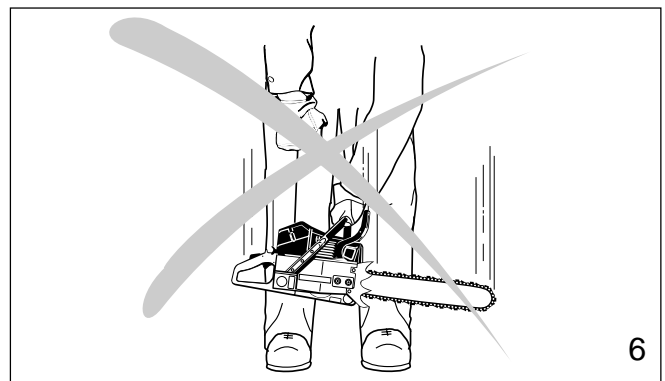
Faites le plein de votre tronçonneuse dans des endroits bien ventilés ou à l'extérieur. Il faut toujours arrêter le moteur et le laisser refroidir avant de faire le plein. Faites le plein sur un sol nu et éloignez la tronçonneuse d'au moins 10 pieds (3 m) du point de ravitaillement avant de démarrer le moteur (fig. 5a).



Essuyez le carburant renversé avant de démarrer votre tronçonneuse et examinez-la pour voir si elle fuit. Examinez votre tronçonneuse pour voir s'il y a des fuites pendant le ravitaillement et l'utilisation. Si vous constatez des fuites de carburant ou d'huile, ne démarrez pas ou ne faites pas fonctionner le moteur avant d'avoir remédié à la fuite et essuyé le carburant renversé. Changez immédiatement de vêtements s'ils sont souillés de carburant (danger de mort!). Evitez le contact de la peau avec le carburant. Ne jamais dévisser ou retirer le bouchon du réservoir de carburant pendant que le moteur tourne.

Démarrage

Ne démarrez pas la tronçonneuse en la laissant descendre au bout du cordon. Cette méthode est très dangereuse car vous pouvez perdre le contrôle de la tronçonneuse (fig. 6).



Posez la tronçonneuse sur un sol ferme ou sur une autre surface dure à un endroit dégagé. Assurez-vous que vous avez une position stable au sol et un bon équilibre. Passez le pied droit dans la poignée arrière et prenez fermement la poignée avant de la main gauche (fig. 6a).

Il faut absolument vous assurer que ni le guide ni la chaîne ne sont en contact avec vous ou avec tout autre obstacle ou objet ou le sol. En effet, lorsque le moteur démarre avec les gaz à moitié, la vitesse du moteur est suffisante pour que l'embrayage entraîne le pignon et fasse tourner la chaîne, causant ainsi un risque de choc de recul. N'essayez jamais de démarrer le moteur lorsque le guide se trouve dans une coupe ou dans une entaille.

Lorsque vous tirez sur la poignée du démarreur, n'enroulez pas le cordon autour de votre poignet. Ne relâchez pas brusquement la poignée, accompagnez-la lentement pour permettre au cordon de s'enrouler correctement. Le non-respect de cette méthode peut entraîner des blessures de la main ou des doigts et détériorer le démarreur.

Réglages importants

ATTENTION!

Lorsque le ralenti est correctement réglé, la chaîne ne doit pas tourner. Pour le réglage du ralenti, reportez-vous au chapitre correspondant de ce mode d'emploi.

N'utilisez pas de tronçonneuse dont le ralenti n'est pas correctement réglé. Réglez le ralenti vous-même de la façon indiquée dans le chapitre correspondant de ce mode d'emploi.

Demandez à votre revendeur MAKITA d'examiner votre tronçonneuse et de procéder aux réglages corrects ou aux réparations.

Vérifiez souvent la tension de la chaîne, surtout juste après avoir monté une chaîne neuve. Les chaînes neuves peuvent se détendre de façon plus importante pendant les premiers temps d'utilisation. Si la chaîne est bien réglée, il est possible de la tirer librement à la main autour du guide sans qu'elle pende. Pour vérifier ou régler la tension de la chaîne, il faut toujours arrêter le moteur et porter des gants.

Conditions de travail

N'utilisez la tronçonneuse qu'à l'extérieur et uniquement de jour et dans de bonnes conditions de visibilité.

ATTENTION!

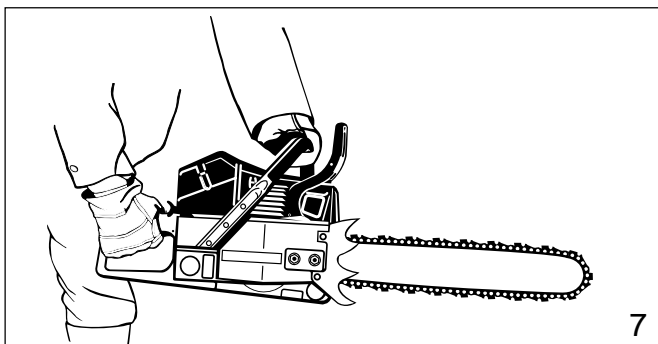
Soyez extrêmement prudent par temps humide ou par gel (pluie, neige, glace). Remettez le travail à plus tard en cas de vent, de tempête ou de pluie violente. Dégagez la zone où vous travaillez.

ATTENTION!

Évitez de trébucher sur des obstacles tels que souches, racines ou pierres et faites attention aux trous et aux fossés. Soyez extrêmement vigilant lorsque vous travaillez sur un terrain incliné ou sur un sol accidenté. Il ya un risque de glissade accru sur les rondins fraîchement écorcés.

Instructions de coupe

Lorsque le moteur tourne, tenez toujours fermement la tronçonneuse à deux mains. Posez la main gauche sur la poignée et la main droite sur la poignée et sur la gâchette des gaz. Ces instructions sont également valables pour les gauchers.

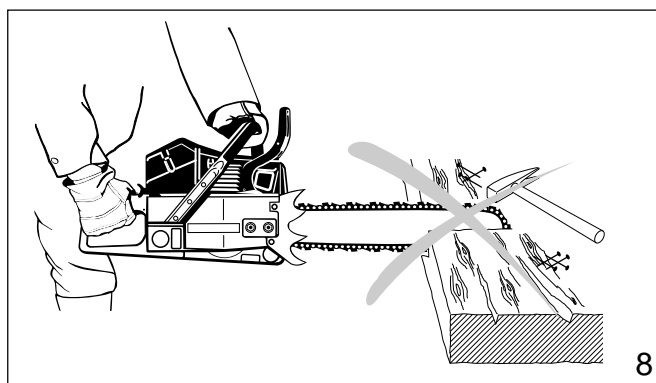


Maintenez fermement les poignées dans le creux de la main en les entourant entre le pouce et l'index (fig. 7). Cette position vous permet de mieux résister et absorber les forces de recul, de traction et de choc de recul de votre tronçonneuse sans qu'elle vous glisse des mains (cf. le point relatif aux forces de réaction). Assurez-vous que les poignées de la tronçonneuse sont en bon état et exemptes d'humidité, de poix, d'huile ou de graisse.

Commencez toujours la coupe avec la chaîne tournant à pleine vitesse et la barre à griffe en contact avec le bois.

ATTENTION!

N'utilisez jamais la tronçonneuse d'une seule main car vous ne pouvez pas contrôler les forces de réaction (cf. pages 40 à 42) et vous pourriez perdre le contrôle de la tronçonneuse.



ATTENTION!

N'utilisez pas la tronçonneuse avec les gaz à moitié car cette position ne vous permet pas de contrôler correctement la tronçonneuse ou la vitesse de la chaîne.

ATTENTION!

Ne jamais trop approcher les mains ou tout autre partie de votre corps d'une chaîne en mouvement.

ATTENTION!

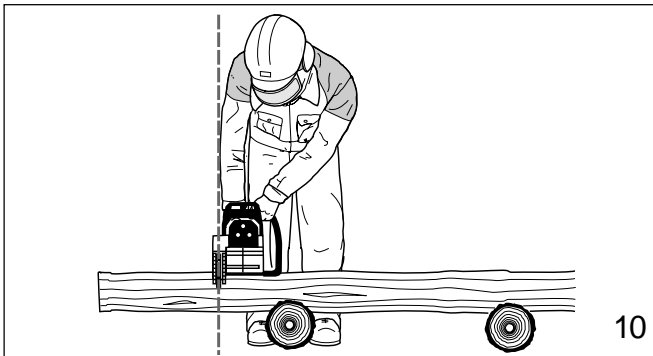
Ne coupez jamais d'autres matériaux que du bois ou des objets en bois.

N'utilisez votre tronçonneuse que pour couper, pas pour casser ou pousser des branches, des racines ou d'autres objets.

Lorsque vous sciez, faites attention à ce que la chaîne ne touche pas de corps étrangers tel que pierres, clous et autres (fig. 8). Ils pourraient être projetés, détériorer la chaîne ou entraîner un choc de recul.



Pour garder la maîtrise de votre tronçonneuse, ayez toujours une position stable au sol. Ne travaillez jamais sur une échelle, dans un arbre ou sur tout autre support instable. N'utilisez jamais la tronçonneuse plus haut qu'à hauteur d'épaules (fig. 9).



Positionnez la chaîne de sorte que votre corps soit éloigné du dispositif de coupe lorsque le moteur tourne (fig. 10).

N'appuyez pas sur la tronçonneuse lorsque vous arrivez à la fin d'une coupe. Sous l'effet de la pression, le guide et la chaîne peuvent sauter hors de la coupe ou de l'entaille, ne plus pouvoir être contrôlés et frapper l'utilisateur ou un autre objet. Si la chaîne en mouvement heurte un objet, une force de réaction (cf. pages 41 à 43) peut faire que la chaîne heurte l'utilisateur.

Forces de réaction pendant la coupe, y compris le choc de recul

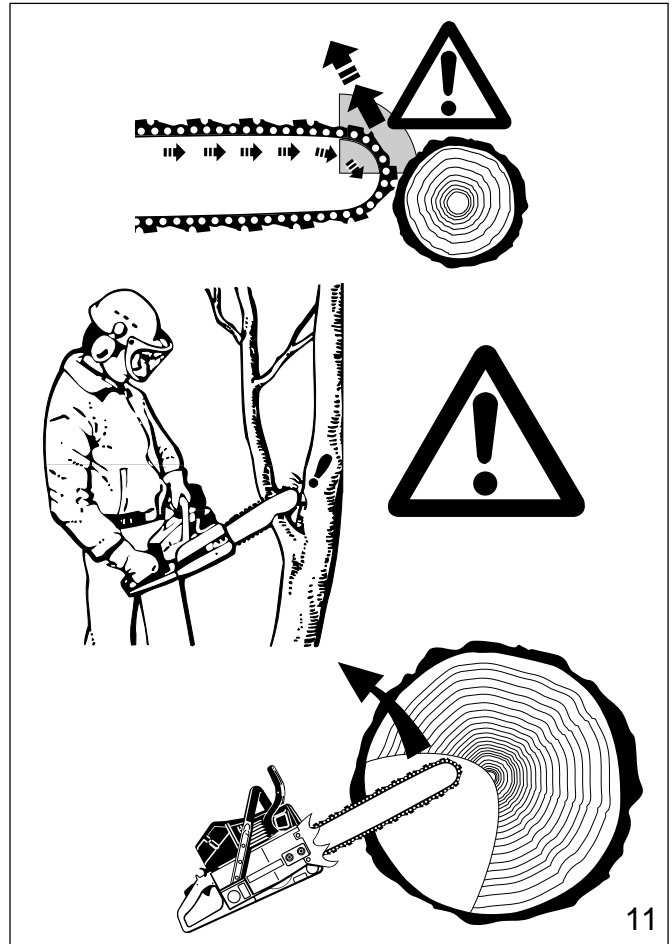
ATTENTION!

Les forces de réaction qui peuvent se produire pendant toute coupe sont le choc de recul, le recul et la traction. Les forces de réaction peuvent être dangereuses sur toutes les tronçonneuses car la puissance utilisée pour couper le bois peut être renversée et se retourner contre l'utilisateur.

Si la chaîne en mouvement est brusquement arrêtée par le contact avec tout objet solide comme un rondin ou une branche ou si elle est coincée, les forces de réaction s'exercent immédiatement. Ces forces de réaction peuvent entraîner la perte de contrôle qui, à son tour, peut être à l'origine de blessures graves ou mortelles. Comprendre les causes de ces forces de réaction peut vous aider à éviter de perdre le contrôle de votre tronçonneuse.

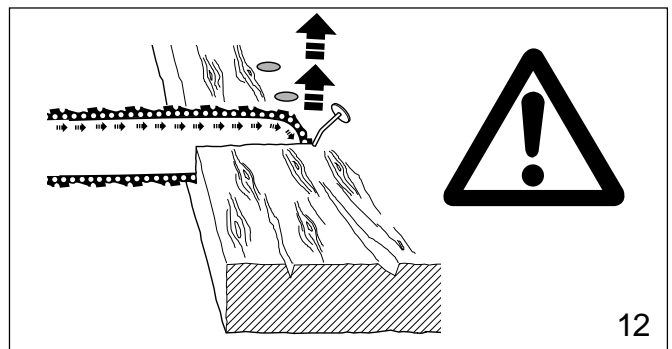
Les forces de réaction les plus courantes sont :

- le choc de recul
- le recul
- la traction.



Choc de recul (Kickback):

Le choc de recul se produit lorsque le quadrant supérieur de la pointe du guide entre en contact avec un objet dur dans le bois ou qu'il est coincé (fig. 11). La réaction de la force de coupe de la chaîne rotative entraîne une force de rotation de la tronçonneuse dans la direction opposée au mouvement de la chaîne, généralement dans le plan du guide. Ceci peut projeter de façon incontrôlée le guide qui décrit alors un arc de cercle vers l'utilisateur.



Cette réaction peut se produire en l'espace d'une fraction de seconde et, dans certaines circonstances, le guide et la chaîne peuvent frapper l'utilisateur avec une force suffisante pour lui occasionner des blessures graves ou mortelles. Elle peut aussi se produire pendant l'ébranchage. Elle se produit aussi lorsque la pointe du guide est coincée de façon inattendue, entre de façon intempestive en contact avec un objet solide dans le bois (fig. 12) ou est utilisée de façon incorrecte pour amorcer une plongée ou un perçage.

Plus la force de la réaction du choc de recul est forte, plus il est difficile pour l'utilisateur de contrôler la tronçonneuse.

De nombreux facteurs déterminent l'apparition et la force de la réaction de choc de recul. Le type du guide et de la chaîne utilisés jouent également un rôle dans la force de la réaction de choc de recul.

La vitesse à laquelle la chaîne entre en contact avec l'objet.

La force de choc de recul est proportionnelle à l'impact.

L'angle de contact entre la pointe du guide et le corps étranger (fig. 11).

Le choc de recul est plus marqué dans le quadrant supérieur de la pointe du guide.

Les modèles de chaîne MAKITA sont conçus pour réduire les forces de choc de recul.

Les limiteurs de profondeurs:

L'abaissement incorrect des limiteurs de profondeur augmente également le risque de choc de recul.

Affûtage des plaquettes de coupe de la chaîne:

ATTENTION!

Une chaîne émoussée ou incorrectement affûtée peut augmenter le risque de choc de recul. Ne travaillez qu'avec une chaîne correctement affûtée.

Dispositifs de réduction du risque de blessure par choc de recul.

MAKITA a mis au point un frein de chaîne spécial destiné à réduire le risque de choc de recul.

Le frein de chaîne augmente la sécurité du travail, c.-à-d. que lorsque la chaîne remonte brusquement, la chaîne s'arrête de tourner en l'espace d'une fraction de seconde. Une protection main située sur le levier de débrayage du frein de chaîne et une poignée arrière munie d'une protection protègent en permanence les mains de l'utilisateur.

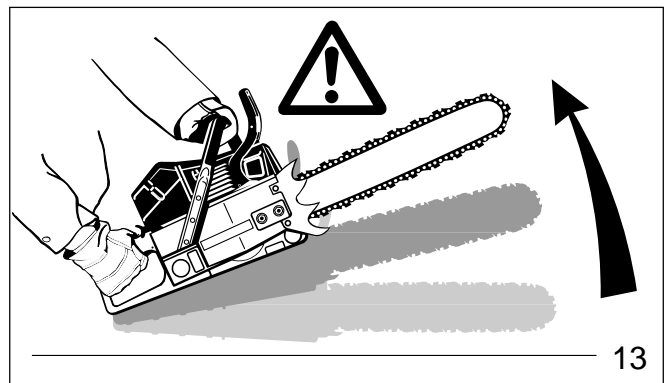
La tendance au choc de recul augmente proportionnellement au rayon ou à la taille de la pointe du guide. MAKITA a mis au point des guides avec une pointe à petit rayon qui réduisent la tendance au choc de recul.

ATTENTION!

Aucun frein de chaîne ne peut empêcher le choc de recul.

Ces freins ne sont conçus que pour arrêter la chaîne lorsqu'ils sont actionnés.

Pour garantir un fonctionnement fiable du frein de chaîne, il faut l'entretenir correctement. Par ailleurs, la distance entre l'utilisateur et le guide doit être suffisante pour que le frein de chaîne ait le temps de réagir et d'arrêter la chaîne avant un éventuel contact avec l'utilisateur.



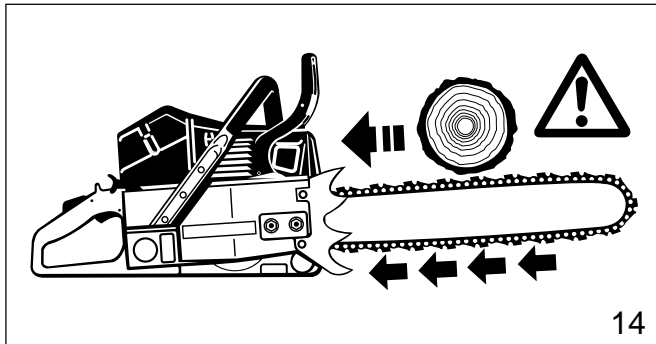
Pour éviter le choc de recul

Le meilleur moyen de se protéger contre les blessures dues au choc de recul est d'éviter les situations qui le favorisent :

1. Tenez fermement la tronçonneuse à deux mains et assurez toujours une prise ferme.
2. Sachez toujours où se trouve la pointe du guide.
3. Ne faites jamais entrer la pointe du guide en contact avec un objet quelconque. Ne coupez pas les branches avec la pointe du guide. Soyez particulièrement prudent avec les petites branches dures, les broussailles et les jeunes arbres de petites dimensions car ils peuvent facilement se prendre dans la chaîne.
4. Ne coupez pas les bras tendus.
5. Ne coupez pas au-dessus de la hauteur d'épaules.
6. Commencez la coupe et continuez plein gaz.
7. Ne coupez qu'un rondin à la fois.
8. Soyez extrêmement prudent lorsque vous rentrez dans une coupe déjà existante.
9. N'essayez pas les coupes en plongée (cf. page 44) si vous n'avez pas l'expérience de ces techniques.
10. Soyez toujours attentif à un déplacement du rondin ou aux autres forces qui pourraient fermer la coupe et coincer la chaîne.
11. Assurez un entretien correct de la chaîne. Ne travaillez qu'avec une chaîne bien affûtée et correctement tendue.
12. Tenez-vous à côté de la coupe de la tronçonneuse.

Le recul:

Le recul se produit lorsque la chaîne se trouvant sur la partie supérieure du guide est arrêtée subitement lorsqu'elle est coincée, prise ou rencontre un corps étranger dans le bois. La réaction de la chaîne pousse la tronçonneuse directement vers l'utilisateur, lui faisant perdre le contrôle de la tronçonneuse. Le recul se produit souvent lorsque l'on coupe avec la partie supérieure du guide (fig. 14).



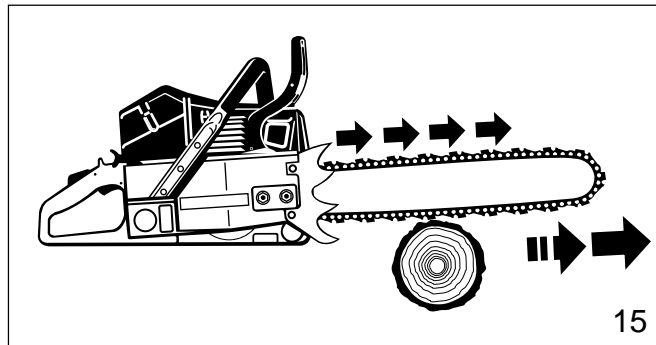
Pour éviter le recul

1. Soyez attentif aux forces ou aux situations dans lesquelles le bois peut coincer la partie supérieure de la chaîne.
2. Ne coupez pas plus d'un rondin à la fois.
3. Ne tordez pas la tronçonneuse lorsque vous retirez le guide d'une coupe en plongée ou par dessous (figures 25 à 27 et 33, pages 44 et 45) car la chaîne peut être coincée.

La traction:

La traction se produit lorsque la chaîne se trouvant sur la partie inférieure du guide est arrêtée subitement lorsqu'elle est coincée, prise ou rencontre un corps étranger dans le bois (fig. 15). La réaction de la chaîne tire la tronçonneuse vers l'avant, faisant perdre à l'utilisateur le contrôle de la tronçonneuse.

La traction se produit souvent lorsque la barre à griffe de la scie n'est pas maintenue fermement contre l'arbre ou la branche et lorsque la chaîne ne tourne pas à pleine vitesse lorsqu'elle entre en contact avec le bois.



ATTENTION!

Soyez extrêmement prudent lorsque vous coupez des broussailles et des jeunes arbres de petites dimensions car ils peuvent facilement se prendre dans la chaîne et vous tirer en vous faisant perdre l'équilibre.

Pour éviter la traction

1. Amorcez toujours une coupe avec la chaîne tournant à pleine vitesse et la barre à griffe en contact avec le bois.
2. Il est également possible d'éviter la traction en utilisant des coins en plastique pour ouvrir l'entaille ou la coupe.

Techniques de coupe

Abattage

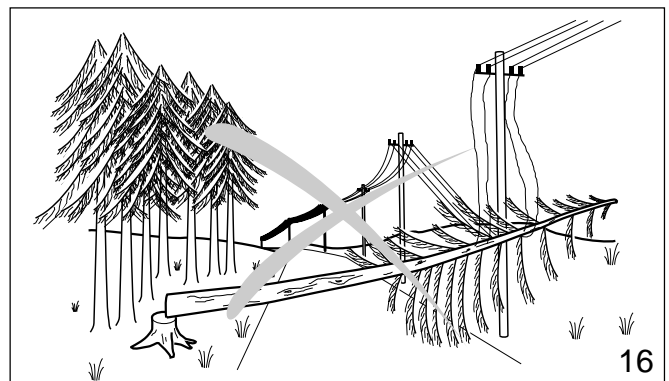
L'abattage est la coupe d'un arbre sur pied.

Avant d'abattre un arbre, prenez en considération toutes les conditions pouvant influencer le sens de la chute, à savoir:

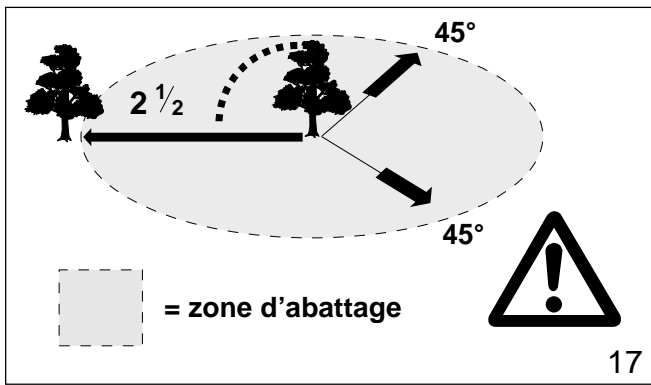
le sens voulu de la chute,
l'inclinaison normale de l'arbre,
une structure de branchages particulièrement marquée, les arbres et obstacles environnants,
la direction et la vitesse du vent.

ATTENTION!

Examinez toujours l'état général de l'arbre. Cherchez les traces de pourriture dans le tronc. S'il est pourri à l'intérieur, il peut se rompre et tomber sur l'utilisateur pendant la coupe. Cherchez aussi les branches cassées ou mortes qui pourraient être détachées par les vibrations et tomber sur l'utilisateur. En cas d'abattage en terrain incliné, l'utilisateur doit se trouver au-dessus de l'arbre.



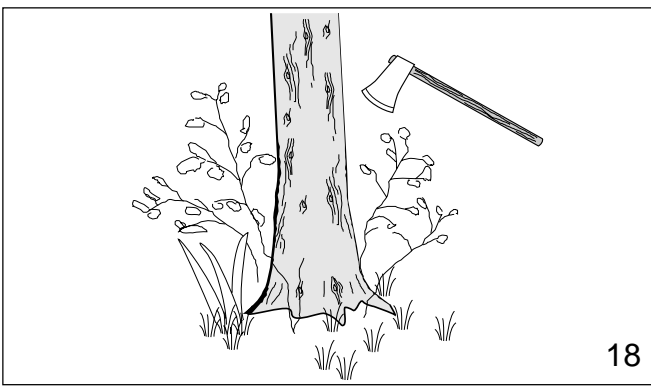
En cas d'abattage à proximité de routes, de voies ferrées et de lignes électriques, etc., prenez des précautions supplémentaires (cf. fig. 16). Informez la police, la régie d'électricité ou la compagnie de chemin de fer avant de commencer le travail.



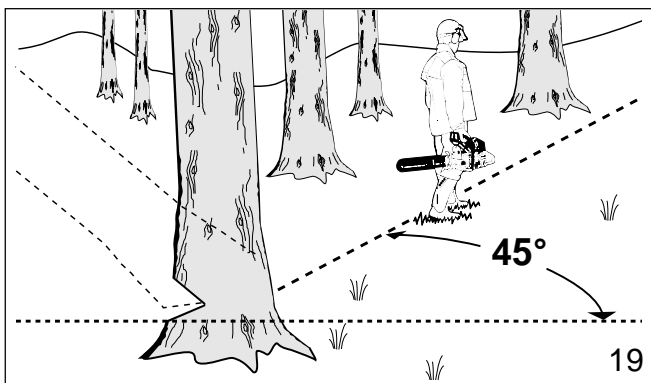
Lors de l'abattage, respectez une distance d'au moins 2 fois et demi la hauteur de l'arbre entre l'arbre et la personne la plus proche (cf. fig. 17).

Remarque: Tout avertissement peut être couvert par le bruit de votre moteur.

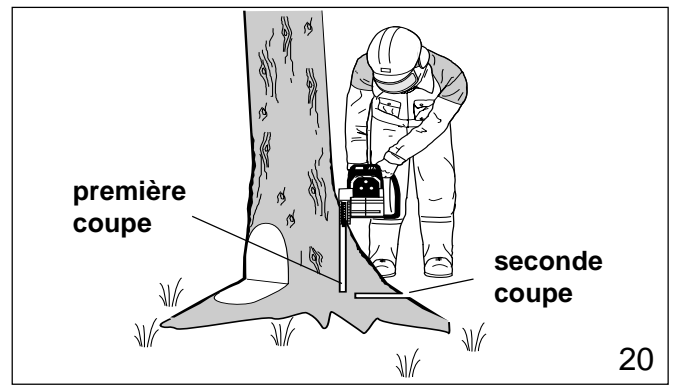
Instructions d'abattage:



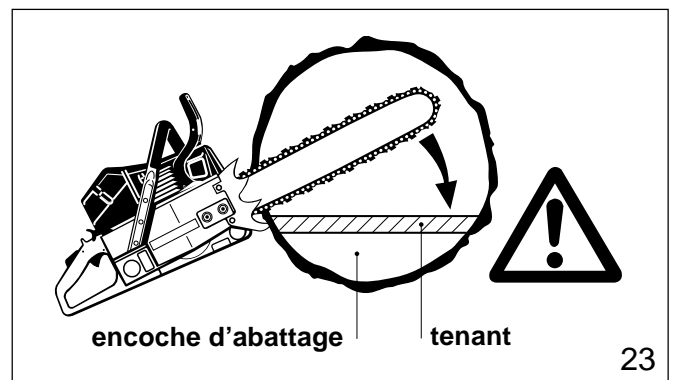
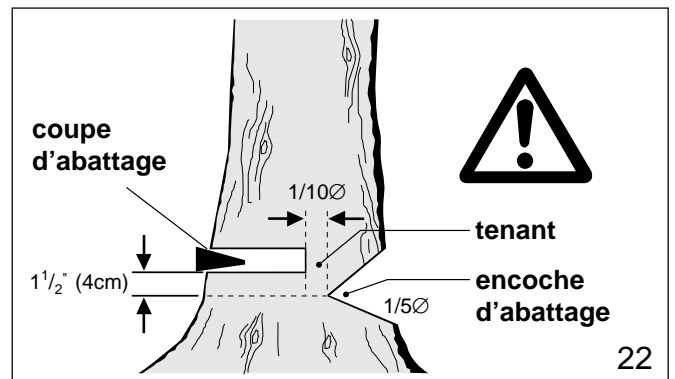
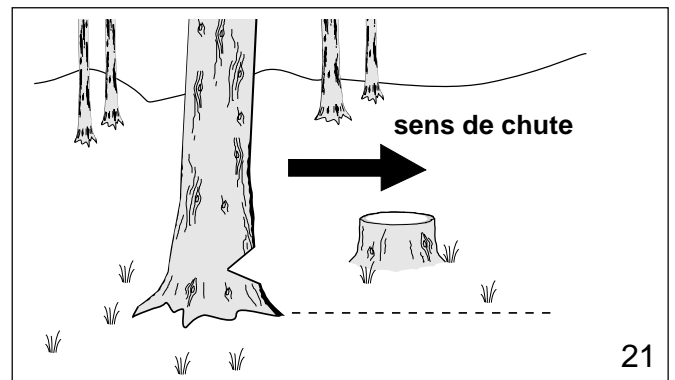
Dégagez dans un premier temps la base de l'arbre et la zone de travail des branches et broussailles gênantes et nettoyez la partie inférieure de l'arbre à la hache (cf. fig. 18).



Etablissez ensuite une voie de repli et dégagez-la de tous les obstacles. Cette voie doit être opposée à la direction prévue de la chute de l'arbre et avoir un angle de 45° (fig. 19). Il faut aussi choisir une seconde voie. Placez tous les outils et l'ensemble du matériel en sécurité à une distance suffisante de l'arbre mais pas sur la voie de repli.



Si l'arbre a de grosses racines latérales, coupez dans les plus grandes racines, d'abord verticalement puis horizontalement et enlevez le morceau ainsi découpé (fig. 20).



Déterminez ensuite l'emplacement de l'encoche d'abattage („camembert“) (fig. 21). Lorsqu'elle est correctement positionnée, l'encoche d'abattage détermine dans quelle direction l'arbre va tomber. Elle doit être pratiquée perpendiculairement à la ligne de chute aussi près que possible du sol. Coupez l'encoche d'abattage à une profondeur comprise entre un tiers et un quart du diamètre de l'arbre (fig. 22). Elle ne doit jamais être plus haute que profonde. Pratiquez l'encoche d'abattage avec grand soin.

Amorcez la coupe d'abattage légèrement plus haut que l'encoche d'abattage sur le côté opposé de l'arbre (fig. 22). Coupez ensuite horizontalement dans la direction de l'encoche d'abattage. Appliquez la tronçonneuse avec ses griffes directement derrière la partie de bois non coupée et coupez en direction de l'encoche d'abattage (fig. 23). Laissez une portion non coupée égale à environ 1/10 du diamètre de l'arbre. Cette portion constitue le tenant (fig. 23). Ne coupez pas le tenant car vous ne pourriez plus contrôler la direction de la chute. Si nécessaire, enfoncez des coins dans la coupe d'abattage pour contrôler le sens de la chute. Les coins doivent être en bois, en métal léger ou en plastique mais jamais en acier, car ils peuvent entraîner une réaction de choc de recul et détériorer la chaîne.

Restez toujours sur le côté de l'arbre qui s'abat. Lorsque l'arbre commence à s'abattre, coupez le moteur, retirez le guide et éloignez-vous sur la voie de repli que vous avez préparée. Faites attention aux chutes de branches.

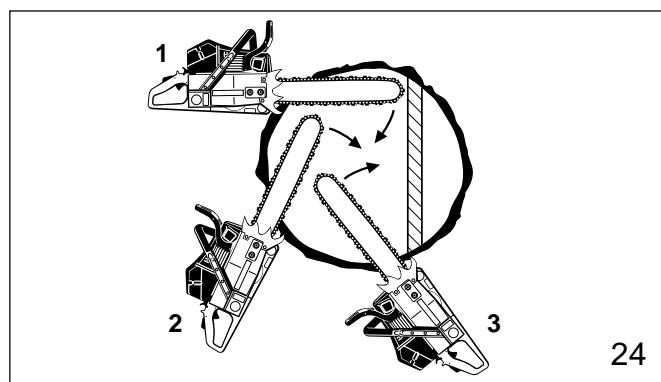
ATTENTION!

Soyez extrêmement prudent avec les arbres partiellement abattus qui ont un soutien médiocre. Si l'arbre reste en suspens ou si pour une raison ou une autre il ne tombe pas complètement, posez la tronçonneuse de côté et tirez l'arbre à l'aide d'un treuil à câble, d'un palan ou d'un tracteur. Si vous essayez de l'abattre complètement en le coupant à la tronçonneuse, vous risquez de vous blesser.

Méthode de sectionnement

ATTENTION!

Pour abattre un arbre dont le diamètre est supérieur à la longueur du guide, il faut utiliser la méthode de sectionnement ou de coupe en plongée. Ces méthodes sont extrêmement dangereuses car elles utilisent la pointe du guide et peuvent entraîner des réactions de choc de recul. Ces techniques ne doivent être utilisées que par des professionnels ayant reçu une formation appropriée.

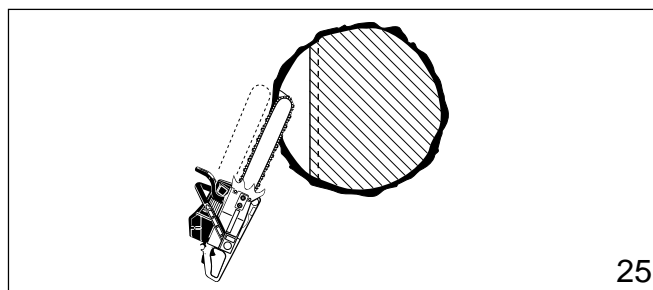


Pour la méthode de sectionnement (fig. 24), pratiquez la première coupe en faisant pivoter le guide vers le tenant. Ensuite, en utilisant la griffe du butoir comme un pivot, repositionnez la tronçonneuse pour la coupe suivante. Évitez de repositionner la tronçonneuse plus que c'est

nécessaire. Lorsque vous repositionnez la tronçonneuse pour la coupe suivante, maintenez le guide complètement en gagé dans l'encoche pour que la coupe d'abattage soit droite. Si la tronçonneuse commence à se coincer, enfoncez un coin pour ouvrir la coupe. A la dernière coupe, ne coupez pas le tenant.

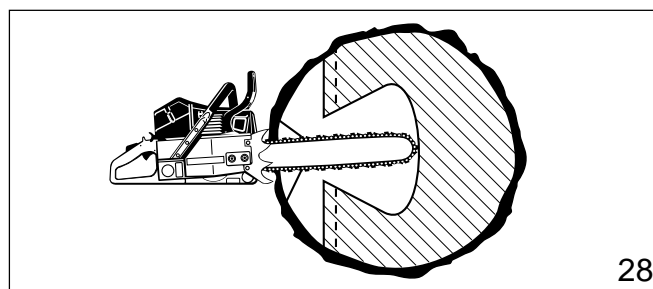
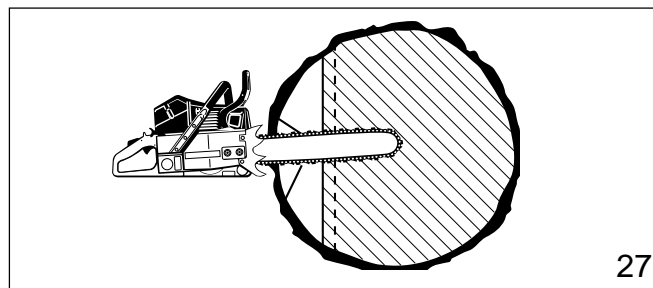
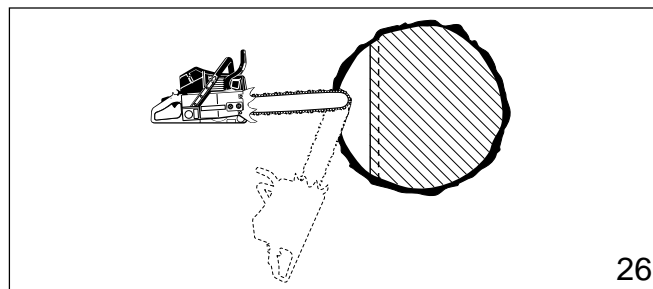
Méthode de coupe en plongée

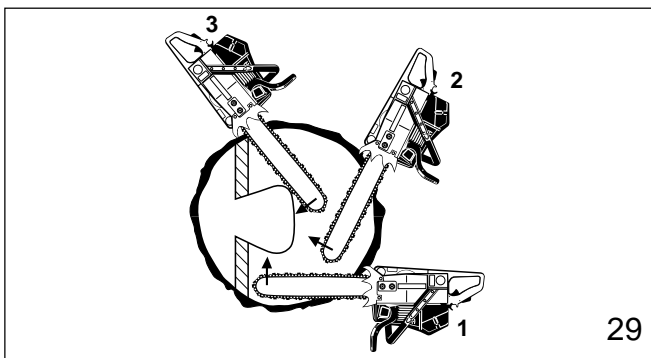
Les arbres d'un diamètre supérieur à deux fois la longueur du guide nécessitent de mettre en oeuvre la méthode de coupe en plongée avant de faire la coupe d'abattage. Dans un premier temps, coupez une encoche d'abattage grande et large. Faites une coupe en plongée au centre de l'encoche. On procède à la coupe en plongée avec la pointe du guide. Commencez la coupe en plongée en appliquant la partie inférieure de la pointe du guide sur l'arbre selon un angle (fig. 25). Coupez jusqu'à ce que la profondeur de l'encoche soit à peu près égale à la largeur du guide (fig. 26). Ensuite, orientez la scie dans la direction de l'endroit où l'évidement doit être creusé.



Mettez les gaz à fond et introduisez le guide dans le tronc (fig. 27).

Agrandissez la coupe en plongée comme indiqué sur l'illustration (fig. 28).





29

ATTENTION!

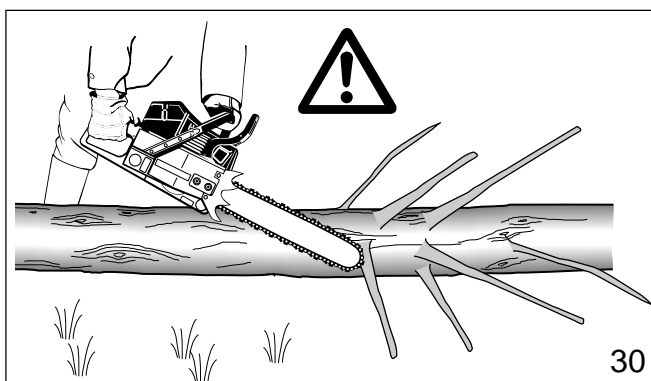
A ce point, il y a un très grand danger de choc de recul. Il faut être extrêmement prudent pour garder le contrôle de la tronçonneuse. Pour faire la coupe d'abattage, suivez la méthode de sectionnement décrite précédemment (fig. 29). Si vous n'avez pas l'expérience du travail avec une tronçonneuse, n'essayez pas de faire de coupe en plongée. Demandez l'assistance d'un professionnel.

Ebranchage

L'ébranchage consiste à couper les branches d'un arbre abattu.

ATTENTION!

Le risque de choc de recul est très grand pendant l'ébranchage. Ne travaillez pas avec la pointe du guide. Soyez extrêmement prudent et évitez tout contact entre la pointe du guide et le tronc ou les branches. Ne montez pas sur le tronc que vous êtes en train d'ébrancher car il pourrait rouler ou vous pourriez glisser.



30

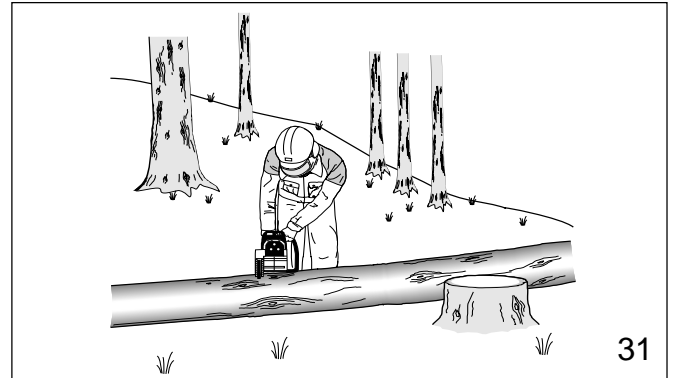
Commencez l'ébranchage en laissant les branches inférieures pour maintenir le tronc à une certaine distance du sol (fig. 30). Ne coupez pas les branches pendantes par dessous. La tronçonneuse pourrait être coincée ou la branche pourrait tomber, vous faisant perdre le contrôle de la tronçonneuse. Si le guide est coincé, arrêtez le moteur et retirez la tronçonneuse en soulevant la branche.

ATTENTION!

Soyez extrêmement prudent lorsque vous coupez des branches qui forcent. Les branches peuvent sauter vers l'utilisateur et entraîner une perte de contrôle de la tronçonneuse ou blesser l'utilisateur.

Débitage

Le débitage consiste à découper un rondin en plusieurs morceaux.



31

ATTENTION!

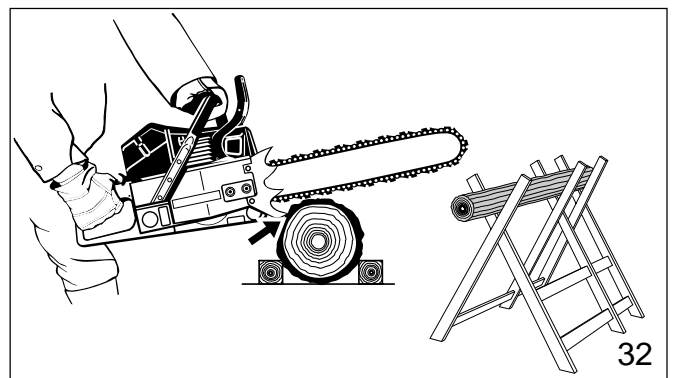
1. Ne montez pas sur le rondin que vous êtes en train de débiter. Assurez-vous que le rondin ne peut pas descendre la pente. En cas de débitage en terrain incliné, l'utilisateur doit se trouver au-dessus du rondin (cf. fig. 31). Faites attention aux rondins qui roulent.

ATTENTION!

2. Ne coupez qu'un rondin à la fois.

ATTENTION!

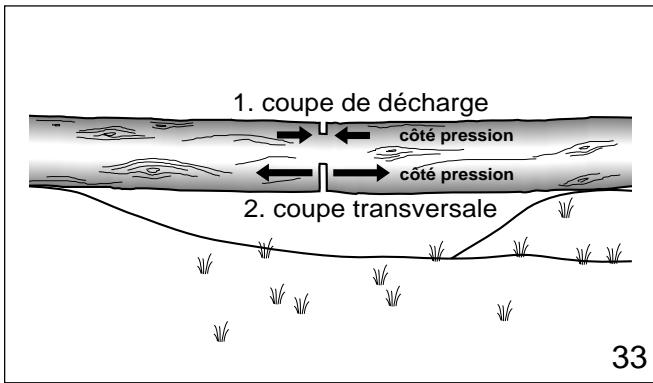
3. Il faut être très prudent pour couper le bois en éclats car des échardes acérées peuvent être entraînées par la tronçonneuse et projetées vers l'utilisateur.



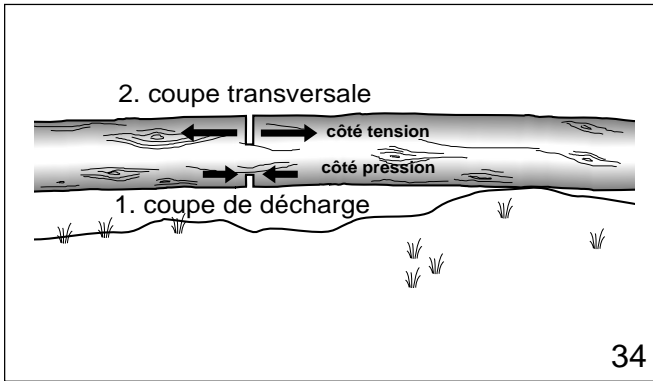
32

ATTENTION!

4. Pour couper les petits rondins, utilisez un chevalet (fig. 32). Empêchez toute autre personne de tenir le rondin. Ne maintenez jamais le rondin avec la jambe ou le pied.



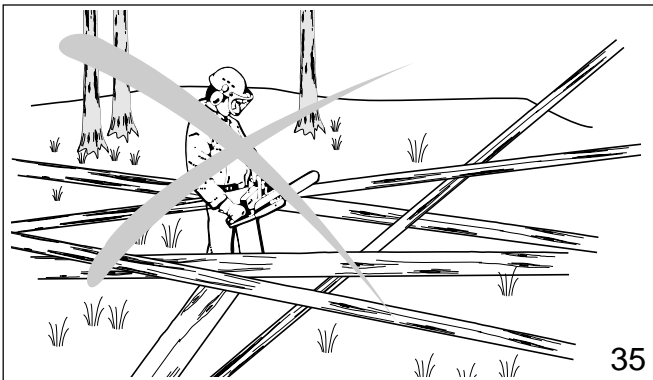
33



34

ATTENTION!

- Lorsque vous coupez des rondins qui forcent, il faut être extrêmement prudent pour éviter que la tronçonneuse soit coincée. La première coupe est pratiquée sur le côté comprimé pour soulager la tension du rondin (cf. fig 33, 34). On procède ensuite à la coupe de débitage de la façon indiquée. Si la tronçonneuse est coincée, arrêtez le moteur et retirez-la du rondin.



35

ATTENTION!

- Le travail dans une zone où les rondins, les branches et les racines sont enchevêtrés (p.ex. dans une zone où les arbres ont été abattus par le vent, fig. 35) ne doit être fait que par des professionnels ayant reçu une formation appropriée. Le travail dans une zone où les arbres ont été abattus par le vent est très dangereux.

ATTENTION!

- Amenez les rondins dans une zone dégagée avant de commencer le débitage. Tirez d'abord les rondins exposés et dégagés.

Entretien et réparation

N'utilisez jamais une tronçonneuse endommagée, incorrectement réglée ou incomplètement ou incorrectement assemblée. Respectez les instructions d'entretien et de réparation du chapitre correspondant du présent mode d'emploi.

ATTENTION!

Avant de commencer toute opération d'entretien, de réparation ou de nettoyage de la tronçonneuse, il faut toujours arrêter le moteur et s'assurer que la chaîne est arrêtée. Ne procédez pas à des opérations d'entretien ou de réparation qui ne figurent pas dans ce mode d'emploi. Confiez-les uniquement à votre agence technique MAKITA.

Entretien et stockage de la tronçonneuse

Maintenez la chaîne, le guide et le pignon propres et lubrifiés ; changez les chaînes et les pignons usés.

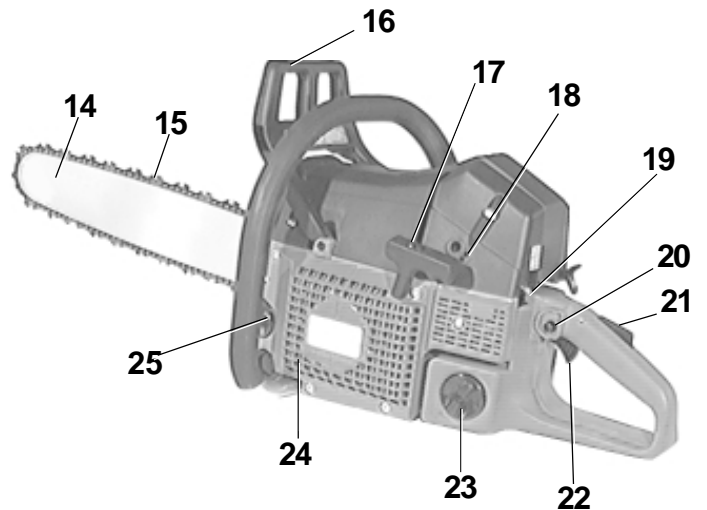
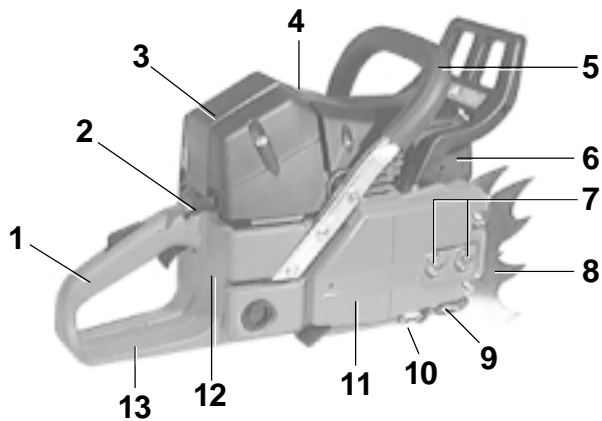
La chaîne doit toujours être correctement affûtée. On reconnaît que la chaîne est émoussée au fait que le bois tendre est difficile à couper et que des traces de brûlure apparaissent sur le bois.

Assurez-vous que la chaîne est toujours correctement tendue. Après chaque utilisation, resserrez tous les écrous, boulons et vis à l'exception des vis de réglage du carburateur.

Assurez-vous que la bougie et le câble d'allumage sont toujours propres et bien fixés.

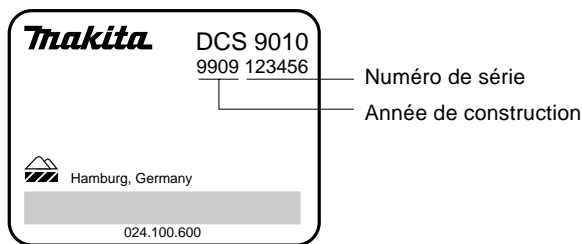
Conservez les tronçonneuses en hauteur ou sous clé hors de portée des enfants.

Désignation des pièces



Plaque signalétique

(échantillon pour modèle DCS 9010)



à indiquer lors de commande
de pièces de rechange!

- | | | | |
|----|--|----|---|
| 1 | Poignée | 13 | Protège-main |
| 2 | Choke (étrangleur) | 14 | Guide de la chaîne de la scie |
| 3 | Couvercle du filtre / bougie d'allumage | 15 | Chaîne de sciage |
| 4 | Commutateur pour service normal/hiver | 16 | Protège-main (libérer le frein à main) |
| 5 | Poignée-étrier | 17 | Poignée de lancement |
| 6 | Silencieux | 18 | Vis de réglage „H-T-L“ pour le carburateur |
| 7 | Ecrous de fixation | 19 | Commutateur ON/OFF |
| 8 | Rive dentée (Butée à griffe pour maintenir fermement la tronçonneuse contre le bois) | 20 | Bouton de blocage pour mi-gaz |
| 9 | Arrête chaîne | 21 | Touche de verrouillage de sécurité |
| 10 | Vis de réglage pour pompe à huile (face inférieure) | 22 | Levier de gaz |
| 11 | Protection roue à chaîne | 23 | Bouchon de fermeture du réservoir carburant |
| 12 | Plaque signalétique | 24 | Carter ventilateur avec dispositif de lancement |
| | | 25 | Bouchon de fermeture du réservoir huile |

Caractéristiques techniques

		DCS 9010
Cylindrée	cu. in (cm ³)	5.5 (90)
Alésage	inch (mm)	2 (52)
Course	inch (mm)	1.6 (42)
Puissance max. en fonction du régime	hp / rpm	6.57 / 9,500
Couple max. en fonction du régime	ft lb / rpm	4.3 / 6,500
Régime de limitation	rpm	13,500
Vitesse de rotation à vide	rpm	2,200
Vitesse de rotation d'embrayage	rpm	3,600
Niveau sonore à pleine charge mesuré aux oreilles de l'opérateur selon ANSI B 175.1/CSA Z62.1	db(A)	105
Niveau sonore pour une personne voisine (à une distance de 50ft/15 m) selon ANSI B 175.1	db(A)	80
Carburateur (à membrane)	Type	TILLOTSON HS-295A (LC)
Dispositif d'allumage	Type	électronique
Bougie d'allumage	Type	NGK BPMR 7A
Ecartement électrodes	inch (mm)	.020 - .030 (0.5 -0.8)
ou bougie d'allumage	Type	BOSCH WSR-6F
Consommation carburant/puissance max. selon ISO 8893	kg/h	2.1
Consommation spéc./puissance max. selon ISO 8893	g/kWh	480
Capacité réservoir carburant	oz (l)	33.8 (1.0)
Capacité réservoir huile	oz (l)	13.5 (0.4)
Dosage mélange (carburant/huile 2 temps)		
- avec utilisation huile MAKITA		50:1
- avec utilisation autre huile		40:1
Frein de chaîne		manuel / choc de recul
Pas roue à chaîne	inch	3/8
Nombre de dents (roue à chaîne)	Z	7
Type de chaîne (voir extrait de la liste des pièces de rechange)		
Pas/épaisseur maillon entraîneur	inch	3/8 / .058
Guide longueur de coupe	inch	20 - 36
Type de guide de chaîne (voir extrait de la liste des pièces de rechange)		
Poids (réservoir vide, sans guide et chaîne)	lbs oz	18 lbs 1 oz

ATTENTION:

Cette tronçonneuse à chaîne peut entraîner un rebond risquant de blesser l'utilisateur. N'utilisez cette tronçonneuse à chaîne que si vous avez des besoins importants de coupe et suffisamment acquis d'expérience, notamment en ce qui concerne les rebonds éventuels. Les tronçonneuses à chaîne présentant des risques de rebond assez réduits sont également disponibles.

MISE EN ROUTE



Montage du guide et de la chaîne de sciage

Utiliser la clé combinée livrée avec la machine pour les travaux suivants.

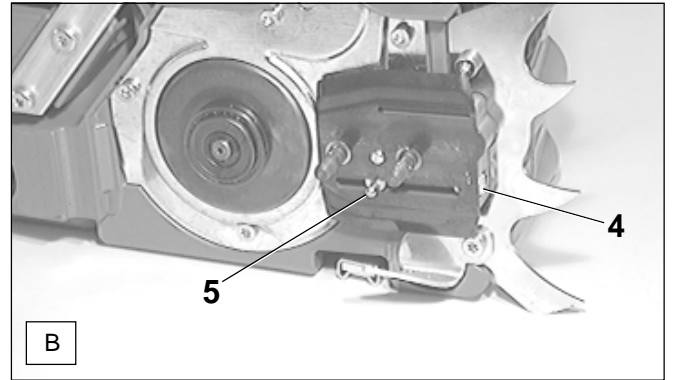
Placer la tronçonneuse sur un support stable et exécuter les opérations suivantes pour le montage de la chaîne de sciage et du guide de la chaîne.

ATTENTION: Pour tous travaux effectués sur le guide de la chaîne de sciage, le moteur doit être impérativement arrêté et la fiche de bougie doit être enlevée (voir paragraphe pour le remplacement de la bougie) et le port de gants de protection est obligatoire!

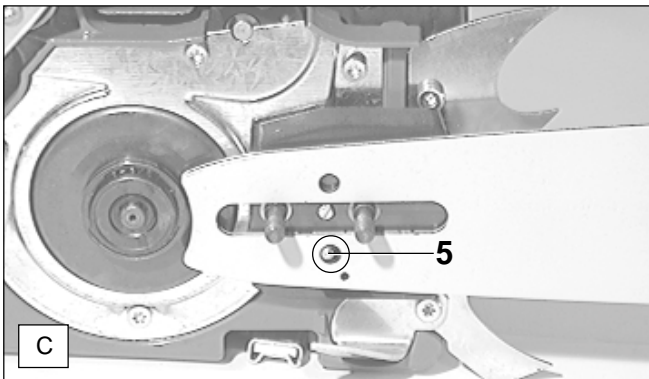
ATTENTION: La tronçonneuse ne peut être démarrée qu'après le montage complet et le contrôle effectué!



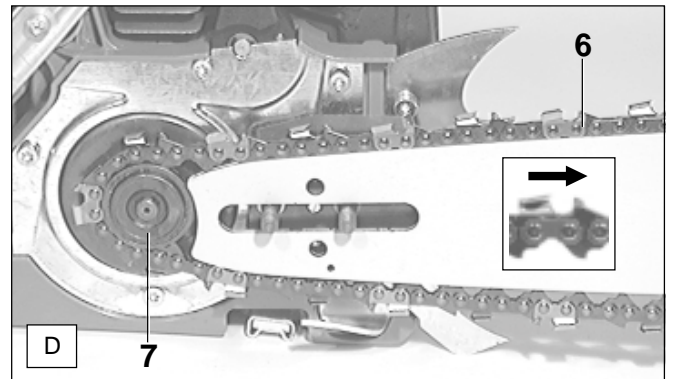
- Dévisser les deux écrous de fixation (A/1).
- Retirer la protection de la roue à chaîne (A/2).



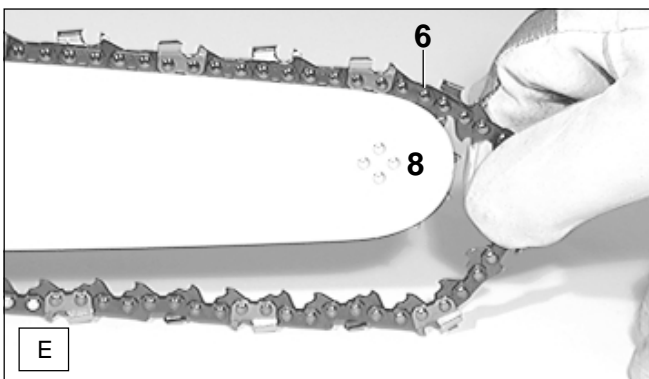
- Tourner la vis de serrage de la chaîne (B/4) dans le sens contraire des aiguilles d'une montre jusqu'à ce que le tourillon (B/5) se trouve à env. 2 cm devant la butée de gauche.



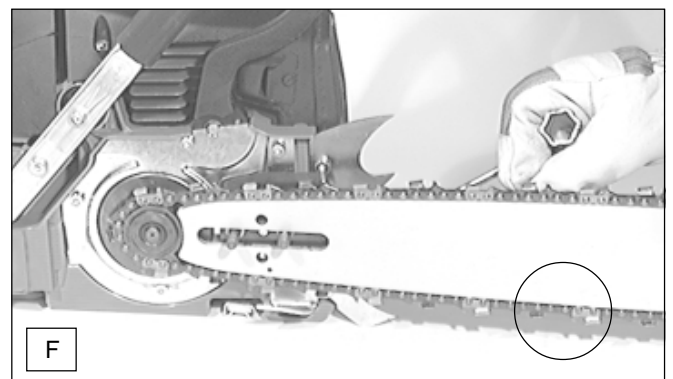
- Monter le guide de la chaîne. Veillez à ce que le tourillon (B/5, C/5) du tendeur de la chaîne pénètre dans le trou (voir cercle) du guide de la chaîne.



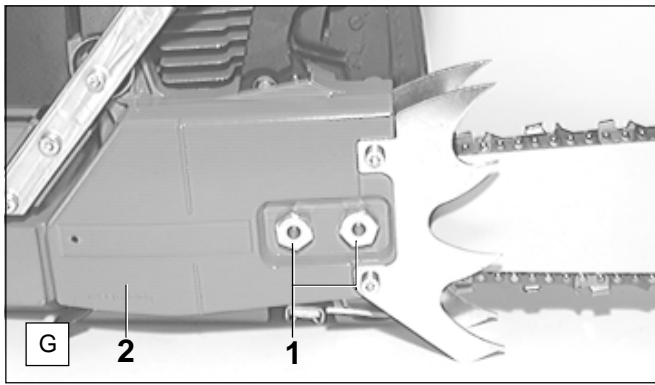
- Placer la chaîne de sciage (D/6) sur la roue à chaîne (D/7) et l'enfiler dans la rainure de guidage du guide de la chaîne. Les arêtes coupantes sur la face supérieure du guide doivent être dirigées dans le sens de la flèche!



- Guider la chaîne de sciage (E/6) autour de l'étoile de renvoi (E/8) du guide de la chaîne.

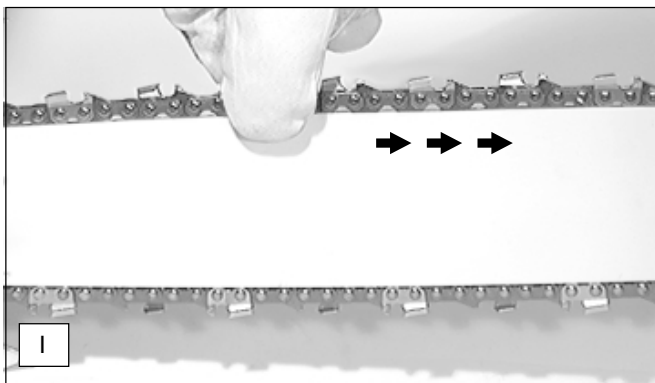


- Tourner le tendeur de chaîne (B/4) vers la droite (sens des aiguilles d'une montre) jusqu'à ce que la chaîne de sciage s'enfile dans la rainure de guidage de la face inférieure du guide (voir cercle). Plaquer avec la main gauche le guide vers le carter.



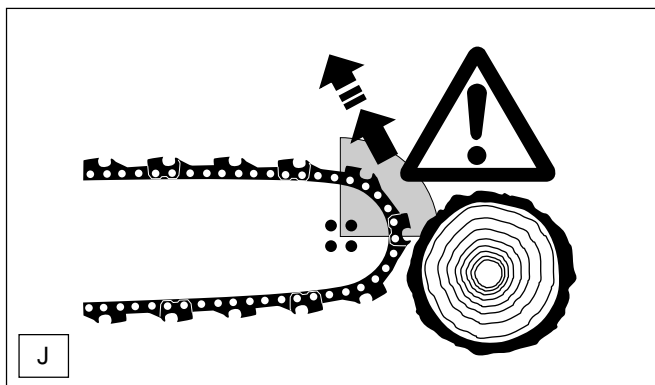
- Remettre la protection de la roue à chaîne (G/2).
Resserrer les deux écrous de fixation (G/1) à la main.

Contrôle de la tension de la chaîne



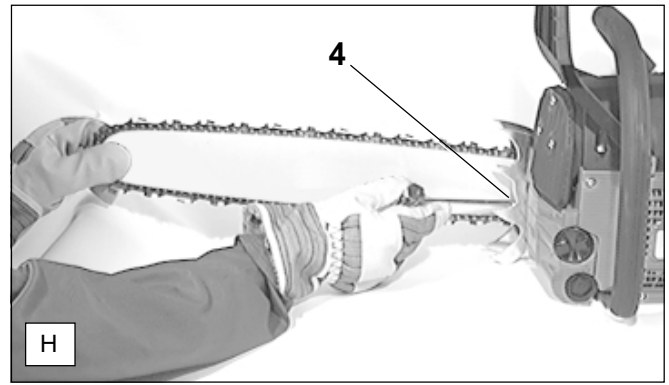
- Une tension correcte de la chaîne est réalisée lorsque la chaîne s'applique sur le guide inférieur et qu'elle peut encore être légèrement écartée du guide à la main.
- Ce faisant, le frein de la chaîne doit être libéré.
- Contrôler continuellement la tension de la chaîne, les chaînes neuves ayant tendance à s'allonger.
- Par conséquent, vérifier souvent la tension de la chaîne le moteur étant arrêté.

Frein de chaîne



La DCS 9010 est équipée en série d'un frein de chaîne à déclenchement d'accélération. Si un contrecoup se produit (kickback), dû à un heurt de la pointe du guide contre le bois (voir chapitre «CONSIGNES DE SECURITE» à la page 40), le frein de chaîne se déclenche automatiquement en cas de contrecoup suffisamment fort par inertie de masse.

La chaîne de sciage est interrompue pendant une fraction de seconde. **Le frein de chaîne n'est prévue que pour des cas d'urgence et pour le blocage de la chaîne avant le démarrage.**



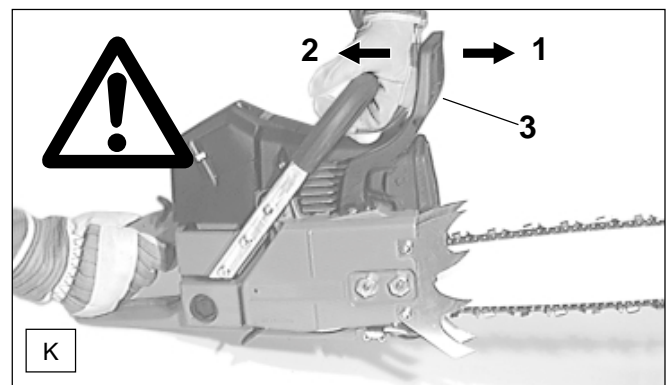
Tendre la chaîne de sciage

- Relever légèrement la pointe du guide de la chaîne de sciage et tourner la vis de tension de la chaîne (H/4) vers la droite (dans le sens des aiguilles d'une montre) jusqu'à ce que la chaîne s'applique sur la face inférieure du guide.
- Continuer à relever la pointe du guide de la chaîne et bloquer les deux écrous de fixation (G/1) avec la clé combinée.

REMARQUE:

En pratique, on devrait utiliser alternativement 2 à 3 chaînes de sciage.

Pour atteindre une usure régulière des guide, on devra retourner le guide de la chaîne lors du changement de la chaîne.



Enclencher le frein de chaîne (bloquer)


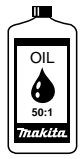
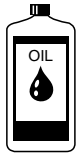
En cas de contrecoup suffisamment fort, le frein de chaîne **se déclenche automatiquement** dû à l'accélération rapide de la chaîne de sciage et à l'inertie de masse du protège-main (K/3). Lors d'un enclenchement **manuel** le protège-main (K/3) est poussé par la main gauche en direction de la pointe du guide de la chaîne (flèche 1).

Libérer le frein à main

Tirer le protège-main (K/3) en direction de la poignée en étrier (flèche 2) jusqu'à son enclenchement. Le frein à frein est libéré.

Carburants/ravitaillement



Carburant	50:1	40:1
		
1.0 Us-gal. (3.7 l)	2.5 floz. (75 cm ³)	3.2 floz. (94 cm ³)
2.5 Us-gal. (9.4 l)	6.4 floz. (189 cm ³)	8.0 floz. (236 cm ³)
5.0 Us-gal. (18.9 l)	12.8 floz. (378 cm ³)	16.0 floz. (473 cm ³)

ATTENTION: L'appareil est utilisé avec des produits d'huiles minérales (essence et huile)! Votre attention est requise lorsque vous manipulez l'essence. Il est interdit de fumer et tout feu immédiat n'est pas autorisé (risque d'explosion).

Mélange carburant

Le moteur de la tronçonneuse est un moteur thermique à deux temps de haute performance. Ce moteur est alimenté par un mélange de carburant et d'huile moteur deux temps.

La conception du moteur a été réalisée pour fonctionner à l'essence normal sans plomb avec un degré d'octane minimum de 91 ROZ. Si un tel type de carburant n'était pas disponible, on peut aussi utiliser un carburant d'un degré d'octane plus élevé. Le moteur n'en subit aucun dommage.

Pour un fonctionnement optimal, ainsi que pour la protection de la santé et de l'environnement, utilisez toujours un carburant sans plomb. Il ne faut pas utiliser d'essence contenant de l'alcool avec les produits MAKITA.

Le graissage du moteur est réalisé par une huile moteur à deux temps (échelle de qualité TC-3) qui est additionnée au carburant. En usine le moteur a été réglé pour l'huile moteur deux temps très performante de MAKITA avec un rapport de mélange de 50:1. Ceci garantit une longue durée de vie et un fonctionnement fiable avec un très faible dégagement de fumées du moteur.

L'huile deux temps de haute performance MAKITA peut être livrée selon les besoins dans des bidons aux contenances suivantes:

1 l	N° de commande	980 008 607
100 ml	N° de commande	980 008 606

En cas de non-utilisation d'huile deux temps à haute performance MAKITA, il est impératif d'observer un rapport de mélange de 40:1 en cas d'utilisation d'autres huiles deux temps. Sinon, un fonctionnement impeccable ne peut être garanti.

Réalisation du rapport correct du mélange

50:1 En utilisant l'huile deux temps de haute performance MAKITA, ceci signifie mélanger 50 parties d'essence avec une partie d'huile

40:1 En utilisant une autre huile moteur deux temps, ceci signifie mélanger 40 parties d'essence avec une partie d'huile

REMARQUE: Pour fabriquer le mélange essence-huile, il faut toujours mélanger préalablement le volume d'huile prévu dans la moitié du volume d'essence, puis y ajouter le volume d'essence restant. Avant de remplir la tronçonneuse avec le mélange, bien secouer le mélange terminé.

Il n'est pas raisonnable que par excès de conscience de sécurité d'augmenter la part d'huile au delà du rapport indiqué du mélange, le résultat serait plus de résidus de combustion ce qui polluerait l'environnement et boucherait la sortie d'échappement dans le cylindre, ainsi que le silencieux. En outre, la consommation de carburant augmenterait et la puissance diminuerait.

Stockage du carburant

Les carburants ne peuvent pas être stockés infiniment. N'acheter que la quantité nécessaire couvrant un temps de marche prévisible. **Ne transporter et ne stocker le carburant et l'huile de chaîne que dans des nourrices agréées et portant les indications nécessaires.**



Huile de chaîne de sciage

Pour le graissage de la chaîne de sciage et du guide, il faut utiliser une huile de chaîne avec un additif d'adhérence. L'additif d'adhérence à l'huile de chaîne empêche une rapide jetée de l'huile du dispositif de sciage.

Pour protéger l'environnement, il est conseillé d'utiliser une huile de chaîne biodégradable. Souvent, les instances régionales prescrivent l'utilisation d'huile biodégradable.

L'huile de chaîne de sciage BIOTOP proposée par MAKITA est fabriquée à base d'huiles végétales sélectionnées et elle est 100% biodégradable. BIOTOP porte comme référence l'ange bleu d'environnement (RAL UZ 48).

L'huile de chaîne BIOTOP est disponible dans les bidons aux contenances suivantes :

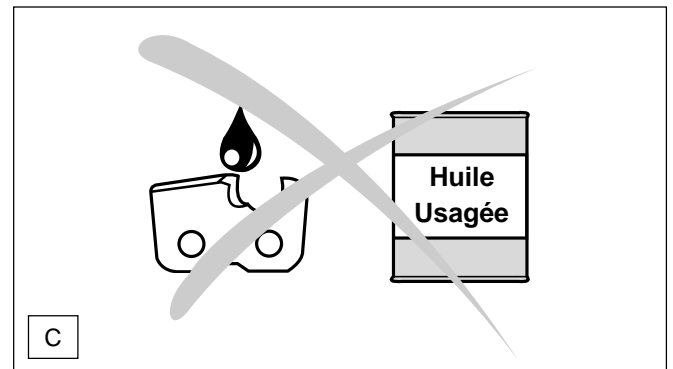
1 l	N° de commande	980 008 610
5 l	N° de commande	980 008 611
20 l	N° de commande	980 008 613

L'huile de chaîne biodégradable ne se conserve que pendant un temps limité et devra être utilisée dans un délai de 2 ans après la date de fabrication imprimée.

Remarque importante pour les huiles de chaîne de sciage bio

Avant une longue mise hors service, le réservoir à huile doit être vidé et rempli ensuite d'un peu d'huile moteur (SAE 30). Ensuite, faire marcher la tronçonneuse pendant quelques temps de manière à rincer les restes d'huile bio du réservoir, du système de conduite d'huile et du dispositif de sciage. Cette mesure est indispensable car différentes huiles bio ont tendance à coller ce qui peut détériorer la pompe à huile ou des éléments d'alimentation d'huile.

Lors de la remise en marche, verser à nouveau l'huile de chaîne BIOTOP.



N'UTILISEZ JAMAIS DE HUILES USAGÉES

Une huile usagée est extrêmement dangereuse pour l'environnement!

Les huiles usagées contiennent une grande part de produits connus pour être cancérigènes.

Les souillures dans les huiles usagées amènent une grande usure de la pompe à huile et du dispositif de sciage.

Les dommages résultant de l'utilisation d'huiles usagées ou d'huiles de chaîne non appropriées ne sont pas couverts par la garantie.

Votre vendeur spécialisé vous informe sur la manipulation et l'utilisation d'huile de chaîne de sciage.

EVITEZ LE CONTACT AVEC LA PEAU ET LES YEUX



Les produits pétroliers, ainsi que les huiles, dégraissent la peau. Lors d'un contact répété et prolongé la peau se dessèche. Les suites peuvent être différentes maladies de peau. D'autre part, on connaît les réactions allergiques.

Le contact avec les yeux de l'huile conduit à des irritations. En cas de contact, rincer immédiatement l'oeil avec de l'eau claire.

Si l'irritation continue, consulter immédiatement un médecin.

Remplissage des réservoirs



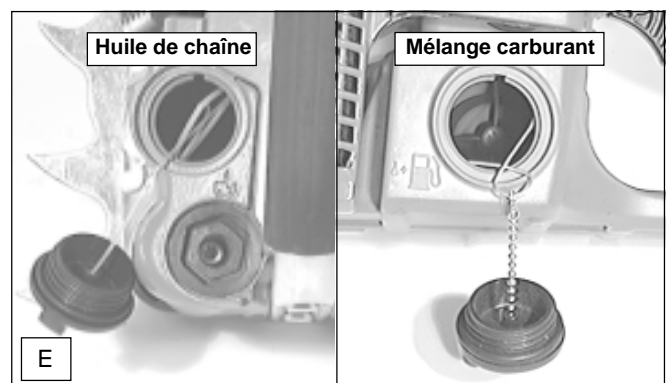
RESPECTER IMPERATIVEMENT LES REGLES DE SECURITE!

La manipulation de carburants exige une manipulation avec précaution et prudence.

Ne le faire que si le moteur est arrêté!

- Bien nettoyer le pourtour des emplacements de remplissage pour éviter la pénétration de salissures dans le réservoir d'essence ou d'huile.
- Dévisser le bouchon du réservoir et remplir de carburant resp. d'huile jusqu'au bord inférieur de la tubulure de remplissage. Remplir avec précaution en prenant soin à ne pas déverser du carburant ou de l'huile de chaîne.
- Revisser fermement le capuchon du réservoir.

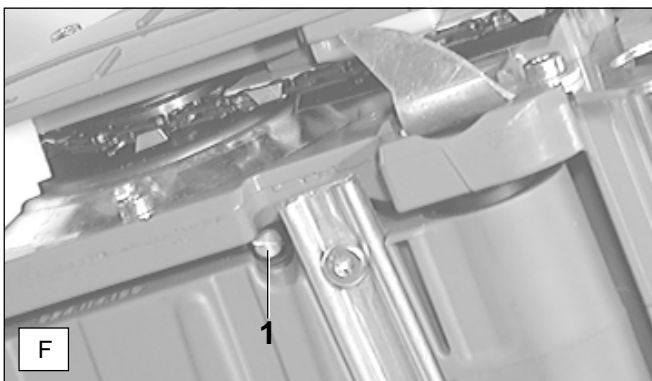
Nettoyer le capuchon et le pourtour après remplissage!



Graissage de la chaîne de sciage

Pour graisser suffisamment la chaîne de sciage, il faut qu'il y ait toujours suffisamment d'huile dans le réservoir. Le contenu du réservoir suffit pour env. 1/2 d'heure de marche continue.

Réglage du graissage de la chaîne



A effectuer que si le moteur est arrêté!

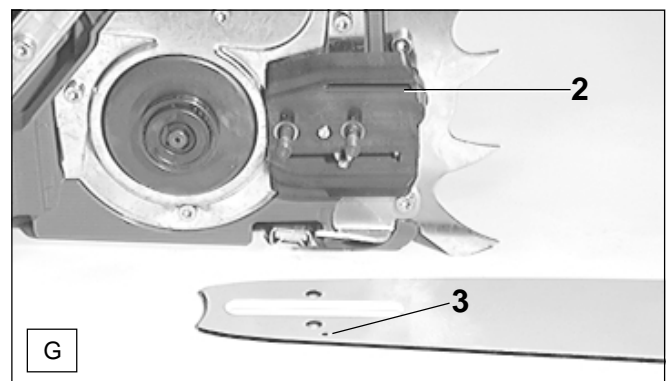


La pompe à huile est réglable par la vis de réglage (F/1). La vis de réglage se trouve sur la face inférieure du carter.

La pompe à huile est réglée en usine pour un débit moyen.

Pour modifier le débit avec la clé combinée, ajuster le débit par la vis de réglage (F/1) en:

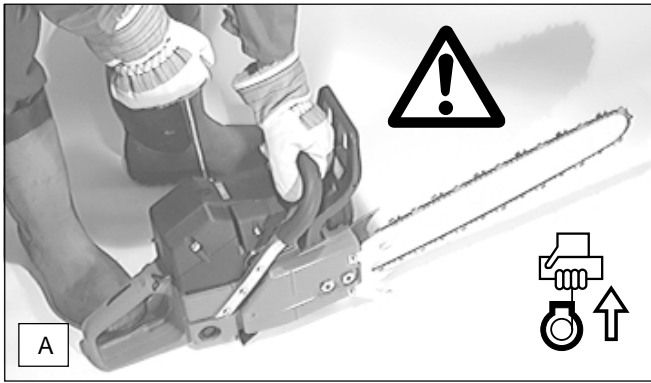
- tournant à droite pour avoir un débit plus faible
- tournant à gauche pour avoir un débit plus fort.



Pour que la pompe à huile fonctionne toujours parfaitement, la rainure de guidage d'huile sur le carter du vilebrequin (G/2), ainsi que les orifices d'entrée d'huile dans le guide de la chaîne (G/3) doivent régulièrement être nettoyés.

Remarque: Après la mise hors service de la tronçonneuse, il est normal que de petites quantités d'huile de chaîne restent encore dans le système de conduite d'huile et sur le guide s'écoulent encore un certain temps. Il ne s'agit pas d'un défaut dans ce cas. Utiliser un support adéquat!

Démarrer le moteur

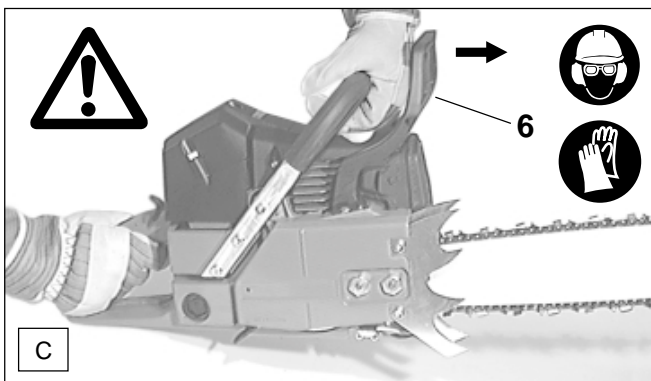


- Démarrer le moteur au moins 3 m de l'endroit du réservoir.
- Prendre une position stable et sûre, puis placer la tronçonneuse sur le sol pour que le dispositif de sciage soit dégagé.
- Libérer le frein de chaîne (bloquer).
- Commutateur de court-circuit en position „I“ (START) (B/1)
- Saisir fermement la poignée-étrier avec une main et plaquer la tronçonneuse sur le sol.
- Placer la pointe du pied dans le protège-main arrière.

Indication pour la version avec une soupape de décompression:

- Enfoncer le bouton (B/6) avant l'opération de démarrage.
- Après un allumage réussi, la soupape se ferme d'elle même.

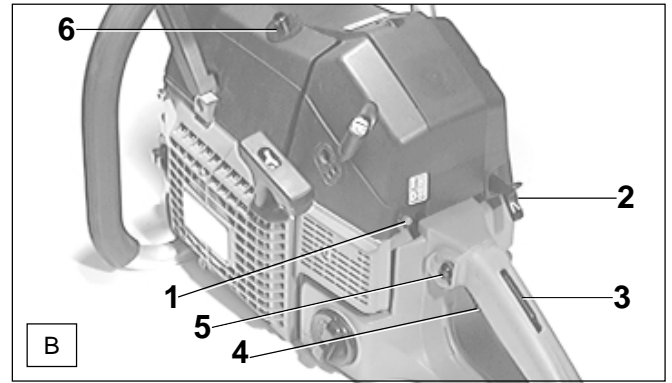
Vérifier le frein de chaîne



Le frein de chaîne doit être vérifié avant de commencer tous travaux.

- Démarrer le moteur comme décrit (prendre une position stable et poser la tronçonneuse sur le sol de façon à ce que le dispositif de sciage soit libre).
- Bien tanier la poignée-étrier d'une main, l'autre main étant sur la manette.
- Laisser tourner le moteur à mi-vitesse et appuyer sur le protège-mains (C/6) avec le dos de la main dans la sens de la flèche jusqu'à ce que le frein de chaîne se bloque. La chaîne de sciage doit immédiatement s'immobiliser.
- Faire tourner immédiatement le moteur au ralenti et redresser le frein de chaîne.

Attention: Si la chaîne de sciage ne s'arrête pas immédiatement après ce contrôle, il ne faut en aucun cas commencer à travailler. Prière de consulter un atelier spécialisé MAKITA.




Démarrage à froid:

- Retirer le levier choke (B/2)
- Enfoncer la touche de sécurité (B/3)
- Enfoncer le levier de gaz (B/4) et le bloquer avec le bouton de blocage (B/5).
- Tirer le cordon de lancement lentement jusqu'à sentir une résistance (le piston se trouve au point mort haut).
- Puis, tirer fortement et rapidement jusqu'au déclenchement du premier allumage audible.

Attention: Ne pas retirer le cordon de lancement de plus de 50 cm et le ramener lentement à la main.

- Enfoncer le levier choke (B/2) et tirer de nouveau le cordon de lancement. Dès que le moteur tourne, actionner le levier de gaz (B/4) pour que le bouton de blocage (B/5) ressorte.
- Attention:** Le moteur doit être mis au régime du ralenti dès qu'il a démarré, car autrement le frein de chaîne risque d'être endommagé.

- Libérer maintenant le frein de chaîne. 

Démarrage à chaud:

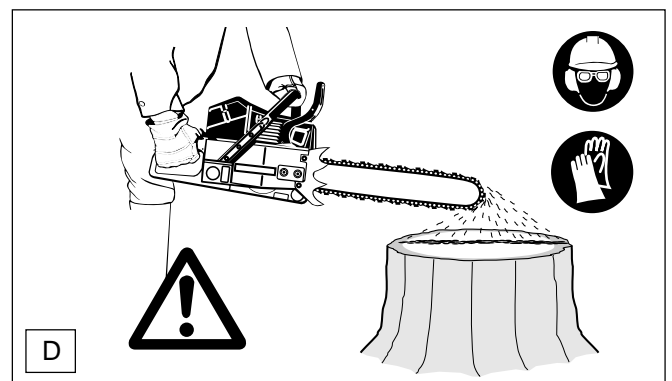
- Comme décrit sous le démarrage à froid, sans toutefois tirer le levier choke (B/2).

Arrêter le moteur



- Amener le commutateur de court-circuit (B/1) en position „O“ (STOP).

Vérifier le graissage de la chaîne



Ne jamais scier sans graissage suffisant. Vous risquez sinon de réduire la durée de vie du dispositif de sciage!

Vérifier avant de démarrer le travail la quantité d'huile dans le réservoir, ainsi que le débit d'huile.

Le débit d'huile peut être vérifié de la manière suivante:

- Démarrer la tronçonneuse.
- Maintenir la chaîne de sciage en marche env. 6" (15 cm) par dessus une souche d'arbre ou le sol (choisir une base adéquate).

Lorsque le graissage est suffisant, on doit observer une légère trace d'huile par l'huile éjectée. Faire attention à la direction du vent et ne pas s'exposer inutilement à la vapeur d'huile.

Réglage du carburateur



Information importante :

Le carburateur de cet outil est équipé de capuchons limiteurs qui limitent la plage de réglage et empêchent des réglages de mélange trop riche. Ceci assure une bonne performance du moteur et une consommation d'essence efficace.

Avant d'installer les capuchons, le constructeur réalise un «réglage de base».

Attention:

Le réglage du carburateur sert à obtenir la puissance maximum. Il doit être effectué le moteur étant chaud et avec un filtre d'air propre; il devra être effectué si possible par un spécialiste.

Le carburateur est réglé en usine pour des conditions de pression d'air au niveau de la mer. Pour d'autres conditions de pression d'air et par suite d'une période de rodage sur une nouvelle machine, il est parfois nécessaire de reprendre le réglage du carburateur.

Le réglage exact du carburateur exige un tachymètre (N° de cde 950 233 210). Utiliser le tournevis de l'outil combiné et le tournevis pour le carburateur faisant partie de la fourniture.

Avant le réglage du carburateur, la machine doit être mise en température par une marche de 3 à 5 minutes.



Marche hivernale

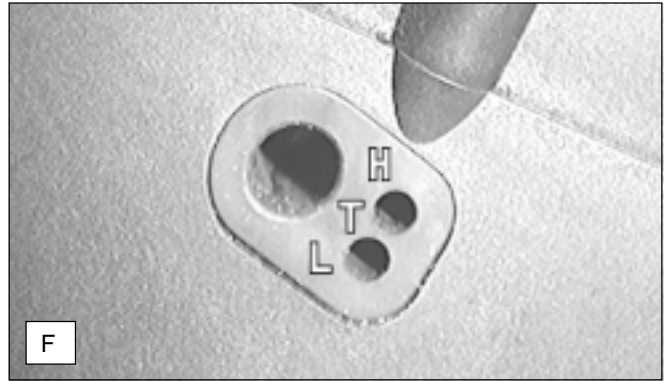


Pour éviter un givrage du carburateur dans des conditions hivernales, on peut amener de l'air chaud du cylindre vers le carburateur.

- Tourner le bouton (G/1) vers la droite avec la clé combinée, jusqu'à la butée.
- Le chauffage du carburateur est actif.

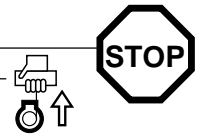
Pour des températures au-dessus de 0° C, il faut impérativement couper le chauffage du carburateur!

En ne respectant pas cette consigne, le cylindre et le piston peuvent être endommagés!



Les opérations suivantes sont nécessaires pour un réglage correct:

1. Contrôler le réglage
2. Démarrer le moteur
3. Régler le régime du ralenti
4. Régler la vitesse de rotation
5. Contrôler la vitesse du régime du ralenti
6. Contrôler l'accélération
7. Contrôler la vitesse de rotation max. resp. la puissance
8. Répéter les opérations à partir du point 3 jusqu'à ce que la vitesse de rotation du ralenti, la vitesse de rotation max. et l'accélération soient atteints pour le réglage trouvé.



Instructions de réglage (point 1)

- Avant la première opération, s'assurer que les vis de réglages (H et L) n'ont pas été complètement vissées. Les capuchons limiteurs ne protègent pas le moteur d'un mélange pauvre.
- Tourner les deux vis de réglage (H et L) dans le sens inverse des aiguilles aussi loin que possible.
- Démarrer le moteur et le laisser se chauffer (point 2).

Réglage du ralenti (marche à vide) (point 3)

- Si la chaîne est entraînée le moteur étant en marche, dévisser la vis de butée de clapet d'étranglement (T) jusqu'à ce que la chaîne ne tourne plus. Si le moteur ne tourne pas bien rond, visser la vis (T).
- Le ralenti doit être de 2,200 tours/minute.

Réglage de la vitesse de rotation resp. de la puissance (point 4)

- La vitesse de rotation est à régler en ajustant la vis du gicleur principal (H) entre 13,500.

Attention: La tronçonneuse DCS 9010 dispose d'un allumage électronique limiteur de vitesse de rotation. Des vitesses de rotation plus grandes que 13,500 1/min ne sont pas possibles même en réduisant la part de carburant.

Contrôler la vitesse de rotation au ralenti (point 5)

- La vitesse de rotation au ralenti doit être contrôlée selon le réglage maximum de la vitesse de rotation de 2,200 1/min (la chaîne ne doit pas être entraînée) resp. à corriger par réglage de la vis du gicleur de ralenti (L). Ce faisant, plus la vis (L) est enfoncée, plus grande sera la vitesse de moteur et inversement, moins on enfoncera la vis (L) moindre sera la vitesse.

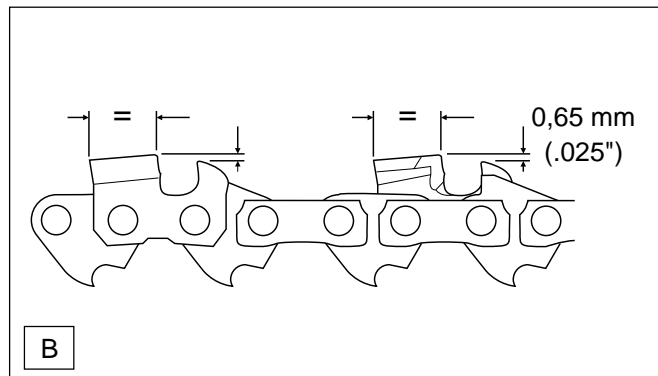
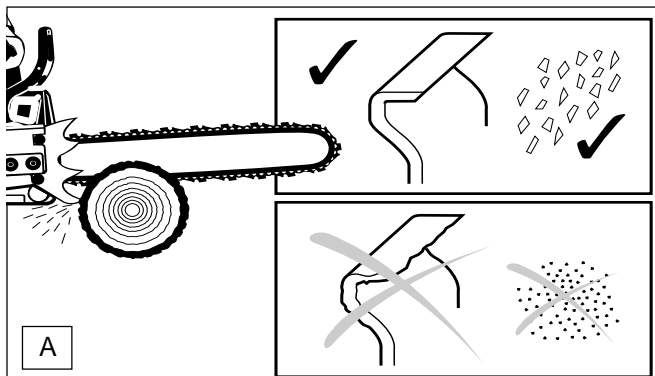
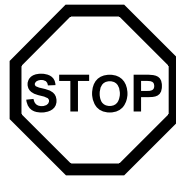
Contrôler l'accélération (point 6)

- Maintenant, il faut vérifier l'accélération, c'est-à-dire le temps nécessaire pour la montée de la vitesse de rotation à partir du ralenti jusqu'à la vitesse de rotation maximum, en actionnant le levier de gaz brusquement.
- Lors d'une accélération trop lente il faut dévisser la vis du ralenti (L) d'env. 1/8 de rotation.

TRAVAUX DE MAINTENANCE

Affûtage de la chaîne de sciage

ATTENTION: Pour tous travaux effectués sur le guide de la chaîne de sciage, le moteur doit être impérativement arrêté et la fiche de bougie doit être enlevée (voir paragraphe pour le remplacement de la bougie) et le port de gants de protection est obligatoire!



La chaîne de sciage doit être affûtée lorsque:

- les copeaux deviennent farineux en sciant du bois humide.
- la chaîne, tout en exerçant une forte pression, ne „tire“ que péniblement dans le bois.
- les arêtes de coupe sont visiblement endommagées.
- le dispositif de sciage gauchit dans le bois latéralement vers la gauche ou la droite. La raison est un affûtage irrégulier de la chaîne de sciage.

Important: Affûter souvent, sans enlever de trop!

Lors d'un simple affûtage, il suffit souvent de 2 à 3 coups de lime.

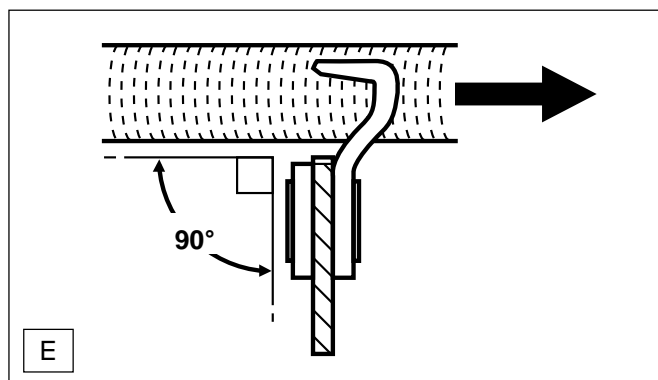
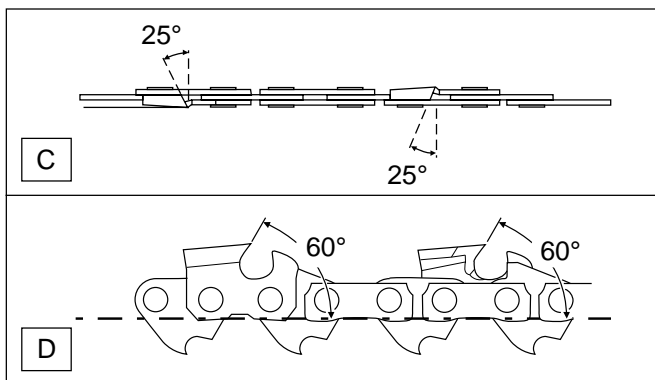
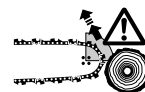
Après avoir effectué soi-même plusieurs affûtages, faire affûter la chaîne à l'atelier spécialisé.

Critères d'affûtage pour les chaînes du type 099:

- Toutes les dents de rabotage doivent avoir la même longueur (=). Des dents de rabotage de hauteur différente signifient une marche dure de la chaîne et peuvent provoquer des ruptures de chaîne!
- Les meilleurs résultats de coupe sont obtenus avec une distance du limiteur de profondeur de 0,65 mm (.025"). La distance entre le limiteur de profondeur et l'arête de coupe détermine l'épaisseur du copeau.

ATTENTION:

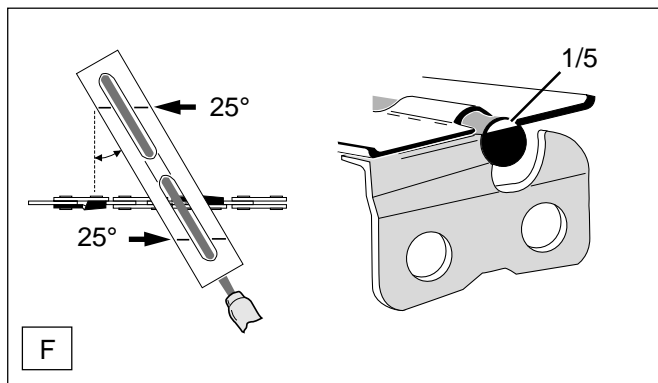
Une distance trop grande augmente le danger d'un choc de recul!



- L'angle d'affûtage de 25° devrait être absolument identique pour toutes les dents de rabotage. Des angles différents provoquent une marche irrégulière et rude de la chaîne, augmentent l'usure et aboutissent à des ruptures de chaîne!
- L'angle d'arasement de 60° s'obtient par la profondeur de pénétration de la lime ronde. Si la lime prescrite est guidée correctement, l'angle d'arasement correct s'obtient par lui même.

Lime et guidage de la lime

- Pour affûter la lime, il faut utiliser un porte-lime spécial avec une lime ronde de chaîne de sciage. Les limes rondes normales ne sont pas appropriées. Numéro de commande, voir accessoires.
- Limer la première moitié de dent de rabotage avec la lime ronde de la chaîne de sciage 7/32" (5,5 mm), ensuite 3/16" (4,8 mm).
- La lime ne doit attaquer que lors de la passe en avant (flèche). Lors du retour, relever la lime du matériel.
- La dent de rabotage la plus courte est affûtée la première. La longueur de cette dent est alors la mesure type pour toutes les autres dents de rabotage de la chaîne de sciage.
- De nouvelles dents de rabotage incorporées doivent être exactement adaptées aux formes des dents utilisées, même sur les surfaces de portée.
- Conduire la lime horizontalement (90° par rapport au guide).



- Un porte lime facilite le guidage de la lime, il porte des repères pour l'angle d'affûtage correct de 25° et il limite la profondeur de pénétration (4/5 du diamètre de la lime). Numéro de commande, voir accessoires.
- Lors du limage, les repères doivent se trouver parallèles à la chaîne.

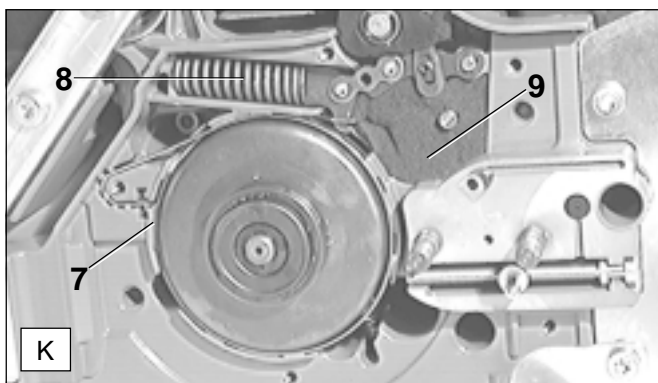
Nettoyer le guide de la chaîne

ATTENTION!

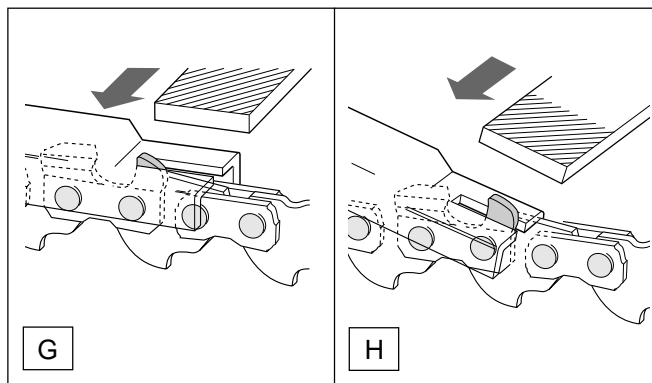
Porter impérativement des gants de protection.



Les portées des guides de la chaîne doivent être vérifiées régulièrement pour voir si elles ne sont endommagées, puis nettoyées.



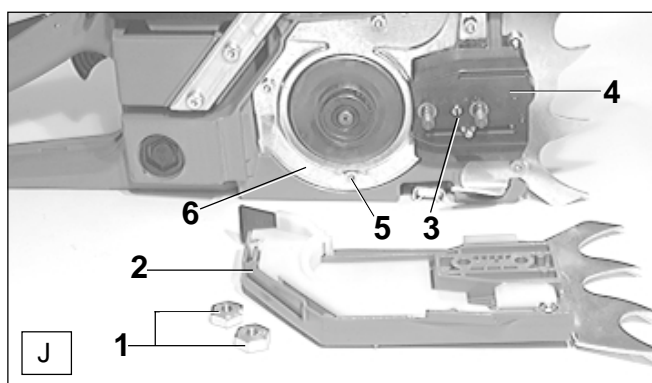
- Nettoyer l'intérieur, particulièrement la zone de la bande de freinage (K/7) avec un pinceau.
- REMARQUE:** Ne pas nettoyer le mécanisme de freinage, particulièrement le ressort (K/8), car elle peut sauter du logement du guidage.
- REMARQUE:** Ne pas enlever la mousse (K/9)
- Remonter les tôles de protection et de guidage.
- Après avoir effectué le montage, il faut effectuer un contrôle du fonctionnement du frein de la chaîne (voir page 53).



- A la suite du nouvel affûtage, vérifier la hauteur du limiteur de profondeur avec la jauge de mesure pour chaîne. Numéro de commande, voir accessoires.
- Enlever avec la lime plate spéciale (G) tout dépassement, même le moindre.
- Arrondir à nouveau le limiteur de profondeur à l'avant (H).

Nettoyer la bande du frein de chaîne

ATTENTION: Bloquer impérativement le frein de la chaîne et porter des gants de protection! Ne pas actionner le frein de la chaîne pendant le nettoyage!



- Dévisser les écrous de fixation (J/1).
- Retirer la protection de la roue à chaîne (J/2).
- Libérer la vis (J/3) et enlever la tôle de guidage (J/4).
- Libérer les quatre vis (J/5) et retirer avec précaution la tôle de couverture (J/6).

REMARQUE: Veiller à ce que le ressort de pression (K/8) ne saute de son logement. Bloquer pendant les travaux de nettoyage le ressort de pression pour empêcher de sauter en dehors.



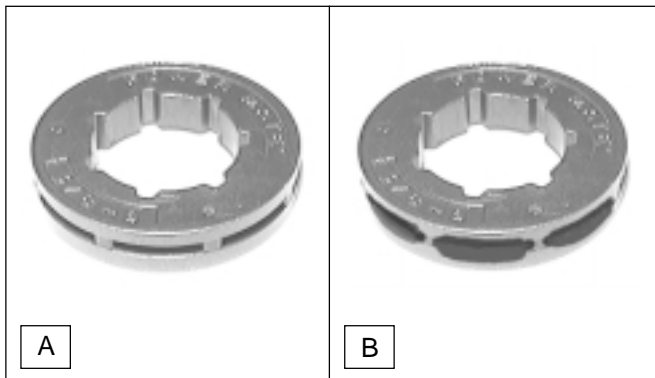
SERVICE

REMARQUE:

Le frein de chaîne est un dispositif de sécurité très important et il est soumis comme chaque pièce à une certaine usure.

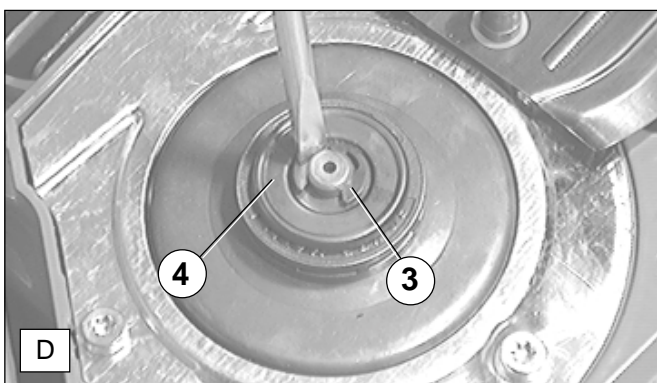
Une vérification et une maintenance régulières servent à vous assurer votre propre protection. Ces opérations devront être exécutées par un atelier spécialisé de MAKITA.

Vérifier la roue à chaîne



Avant de monter une nouvelle chaîne de sciage, il faut vérifier l'état de la roue à chaîne (A).

Des roues à chaîne usées (plus de 0,2 mm) (B) provoquent des détériorations sur une nouvelle chaîne de sciage et doivent impérativement être remplacées.



- Retirer avec la clé combinée le circlips (D/3).

ATTENTION:

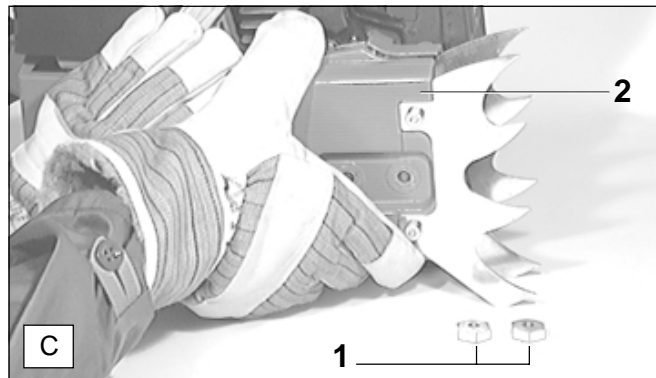
Le circlips peut sauter lors de son enlèvement.

- Retirer le flasque de butée se trouvant en-dessous (D/4).

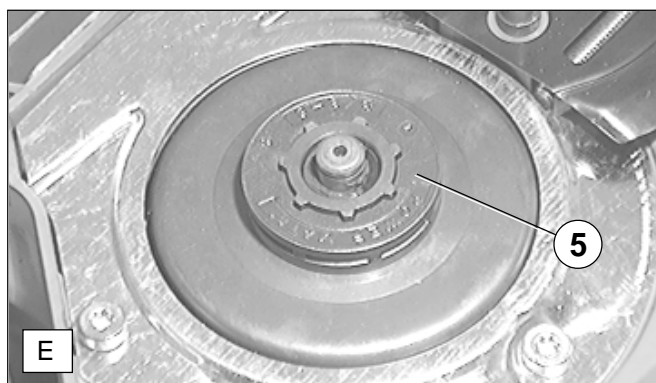
Changement de la roue à chaîne



ATTENTION: Porter impérativement des gants de protection.

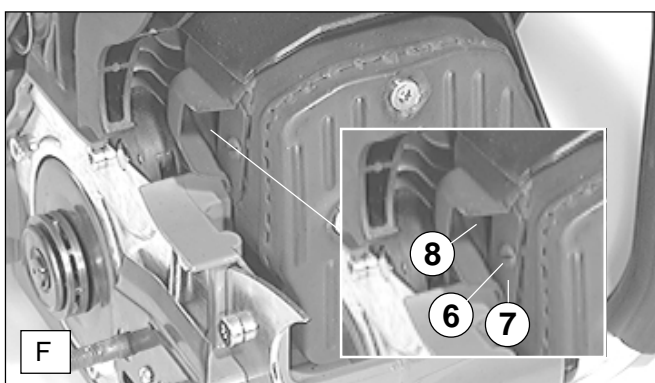


- Dévisser l'écrou de fixation (C/1).
- Retirer la protection de la roue à chaîne (C/2).



- Retirer la roue à chaîne (E/5) du tambour d'accouplement.
- Placer la nouvelle roue à chaîne légèrement graissée, puis remonter les autres pièces dans l'ordre inverse.

Changement / nettoyage du pare-étincelles

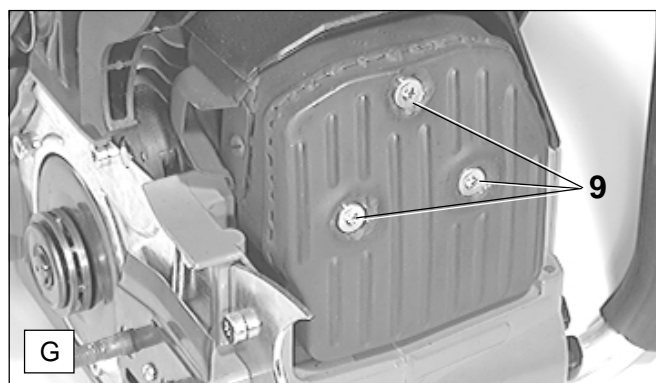


Il faut vérifier et nettoyer régulièrement le pare-étincelles.

- Enlever le déflecteur (F/7) à vis (F/6) et le pare-étincelles (F/8).

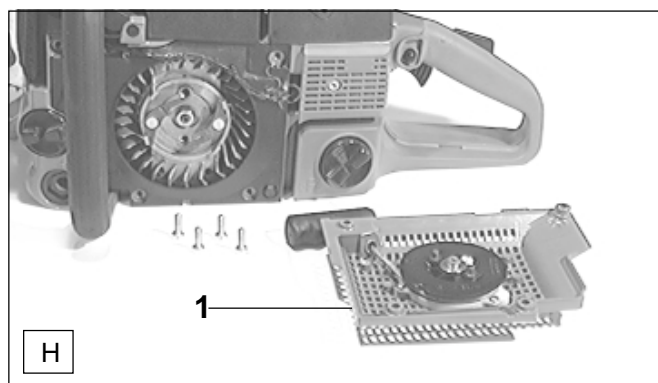
ATTENTION: N'utilisez pas d'objets coupants ou pointus pour nettoyer le pare-étincelles car vous pourriez endommager ou déformer les fils du pare-étincelles.

Contrôler les vis du silencieux

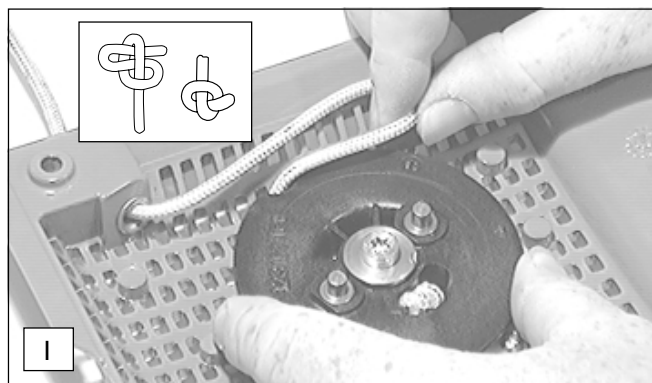


- Le serrage des trois vis de fixation (G/9) est à vérifier régulièrement.

Remplacement du cordon de lancement du moteur



- Dévisser le carter (H/1) du ventilateur (4 vis).
- Pour remplacer le cordon, le tambour du cordon peut rester en place.
- Retirer tous les restes du cordon à remplacer.
- Enfiler le nouveau cordon 0.16" x 40" (\varnothing 4x 1000 mm) et le nouer simplement dans le tambour et sur la poignée de lancement par une boucle. L'extrémité du cordon ne doit pas dépasser le tambour.

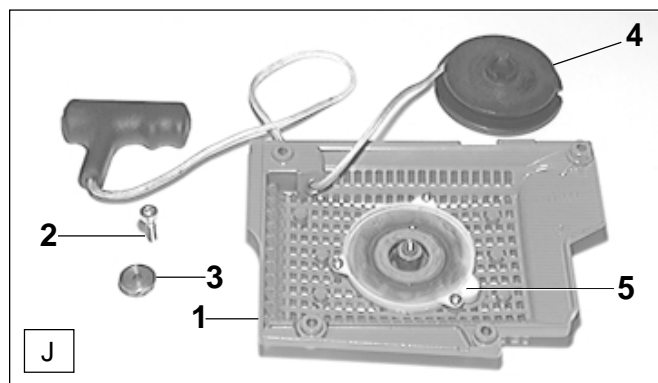


- Enrouler le cordon aussi souvent que possible autour du tambour. A la fin, tirer le cordon avec la poignée env. 20" (50 cm) du tambour, maintenir le tambour et ce faisant, enrouler de nouveau le cordon autour du tambour.
- Libérer le tambour et laisser le cordon s'enrouler par la tension du ressort. La poignée de lancement doit être alors placée verticalement sur le carter de lancement.

REMARQUE:

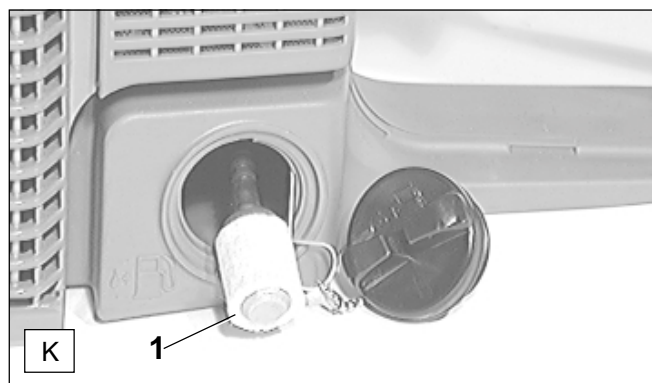
Lorsque le cordon de lancement est complètement tiré, le tambour doit pouvoir encore être tourné d'au moins 1/4 de tour contre la force du ressort.

Remplacement du ressort de rappel



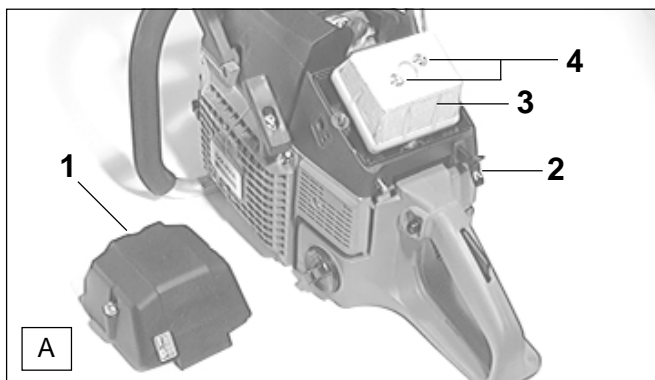
- Dévisser le carter du ventilateur (J/1)
- Pour le changement du ressort, dévisser la vis à six pans intérieurs (J/2) du tourillon.
- Retirer le tourillon (J/3).
- Retirer le tambour du cordon (J/4).
- Puis, dévisser le couvercle du ressort (J/5) (3 vis).
- Puis, frapper légèrement, en le maintenant, la face creuse du carter du ventilateur sur du bois, pour que le vieux ressort ne puisse sauter de son logement et puisse se détendre sans danger.
- Le nouveau ressort est livré sous tension dans la boîte à ressort et il est pressé complet dans le carter du ventilateur, en enlevant, ce faisant, l'anneau de fil de fer qui le retient (remonter un ressort de rappel qui a sauté dans le carter, en l'enroulant dans le sens des aiguilles d'une montre).

Remplacement de la crépine d'aspiration

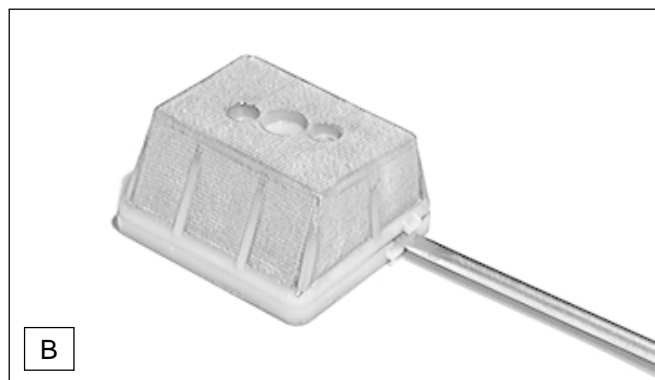


- Retirer la crépine d'aspiration avec un crochet en fil de fer à travers l'orifice de fermeture du réservoir.
- Le filtre feutre (K/1) de la crépine d'aspiration peut se boucher pendant l'utilisation.
- Pour assurer une alimentation sans problème du carburant vers le carburateur, la crépine d'aspiration devra être remplacée environ tous les 3 mois.

Nettoyage du filtre d'air



- Dévisser le couvercle du filtre (A/1) et le retirer (2 vis).
Attention: Fermer le clapet du choke en tirant le levier du choke (A/2) pour éviter que des particules de salissures tombent dans le carburateur.
- Retirer le filtre à air (3) après avoir libéré les deux vis (A/4) de la tubulure d'aspiration.



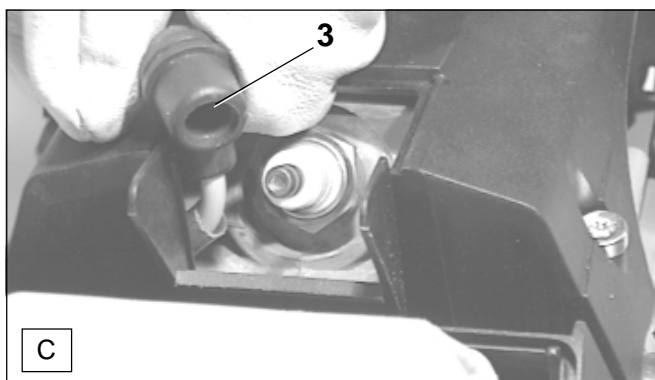
- Placer un tournevis entre les attaches clipsées et séparer la partie haute de la partie basse du filtre à air.
- Nettoyer le filtre à air avec un pinceau ou une brosse douce.
- Laver des filtres à air fortement encrassés dans de l'eau savonneuse tiède avec du détergent usuel de machine à laver la vaisselle.
- **Bien sécher** le filtre à air.
- Assembler de nouveau la partie inférieure avec la partie supérieure et placer le filtre de nouveau sur la tubulure d'aspiration. Resserrer convenablement les vis (A/4).

En cas de fort encrassement, procéder à un nettoyage plus fréquent (plusieurs fois par jour), car seul un filtre à air propre assure la pleine puissance du moteur.

ATTENTION:

Remplacer immédiatement des filtres à air endommagés!
Des morceaux de tissus déchirés peuvent détériorer le moteur.

Remplacement de bougie



ATTENTION

Les bougies d'allumage ou la fiche de la bougie ne doivent pas être touchés le moteur en marche (haute tension).

N'effectuer des travaux de maintenance que si le moteur est arrêté.

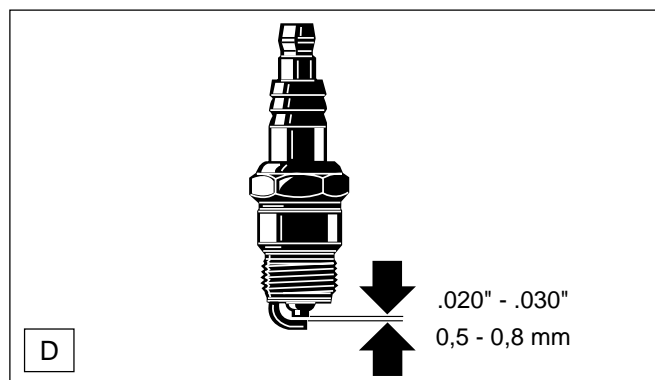
Risque de brûlure lorsque le moteur est chaud : porter absolument vos gants de protection !

En cas de détérioration du corps isolant, d'usure importante des électrodes resp. d'électrodes très encrassées ou pleines d'huile, il faut procéder à un remplacement de la bougie.

- Libérer les deux vis du couvercle du filtre (A/1) et retirer le couvercle du filtre (voir figure, nettoyage filtre à air).
- Retirer la fiche de la bougie (C/3). Démontez la bougie avec la clé combinée compris dans la fourniture.
- Monter la nouvelle bougie dans l'ordre inverse.

ATTENTION: N'utilisez comme rechange que les bougies:

- **NGK BPMR 7A** ou **BOSCH WSR 6F**.



Ecartement des électrodes

L'écartement des électrodes doit être de .020"-.030" (0,5 à 0,8 mm).

Vérification de l'étincelle d'allumage

- Approcher une bougie dévissée avec le câble solidement enfiché en la maintenant avec une pince contre le cylindre (pas à proximité de l'orifice de la bougie!)
- Placer le commutateur Start/Stop en position START „I“.
- Démarrer le moteur en tirant fortement sur le cordon de lancement.

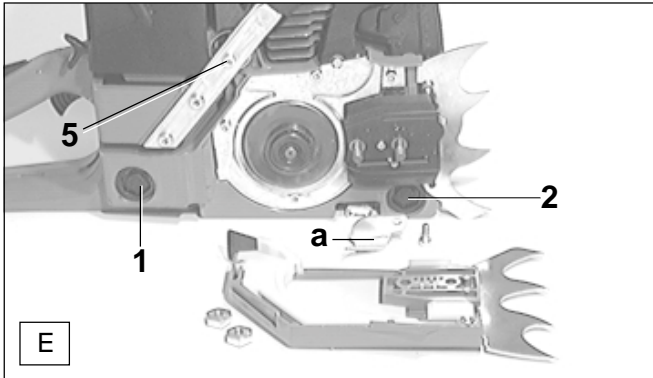
En fonctionnement correct, l'étincelle doit être visible sur les électrodes.

Remplacement de l'amortisseur de vibrations

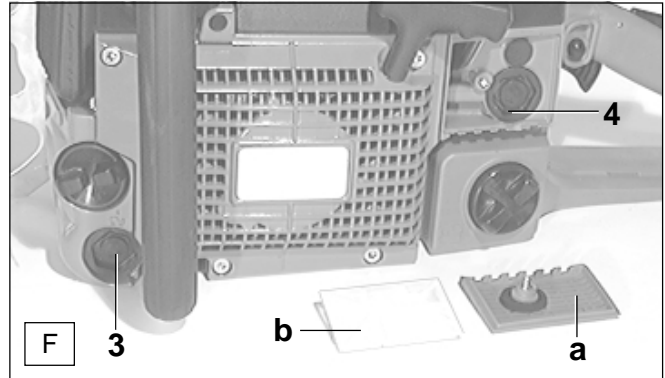
ATTENTION:

Porter impérativement de gants de protection.

Tous les cinq amortisseurs doivent être remplacés en même temps!

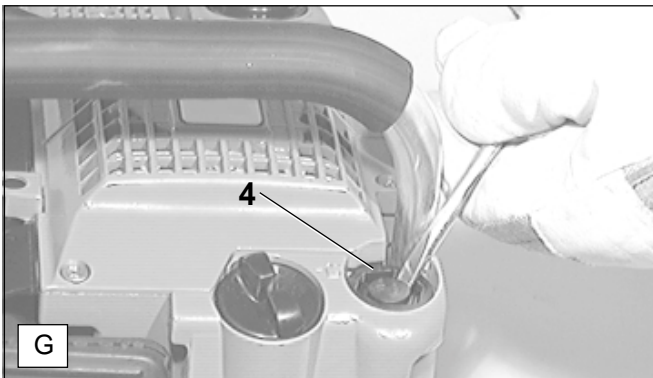


- L'amortisseur (E/1) se trouve à côté de la plaque signalétique.
- L'amortisseur (E/2) se trouve en-dessous du support du guide. Pour ce faire, dévisser l'arrête de chaîne (a).
- L'amortisseur (E/5) se trouve sous le bras de fixation de la poignée-étrier.

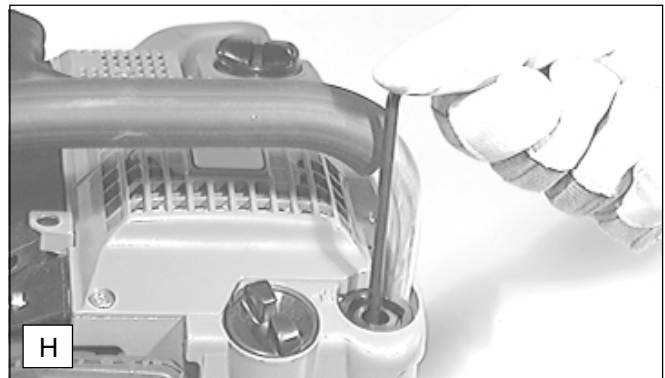


- L'amortisseur (F/3) se trouve en-dessous du capuchon obturateur du réservoir à huile.
- L'amortisseur (F/4) se trouve sous le préfiltre. Pour y accéder, démonter le couvercle (a) et le préfiltre (b).

Remplacement des amortisseurs 1 - 4

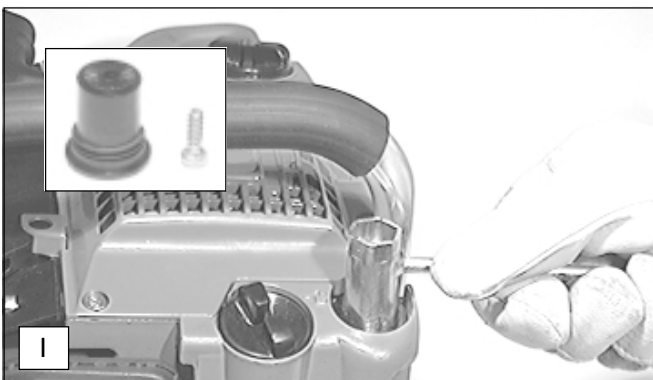


- Placer la tronçonneuse sur le côté et enlever avec précaution à l'aide de la clé combinée le capuchon de protection (G/4).



- Retirer avec le tournevis coudé la vis se trouvant à l'intérieur.

Remplacement de l'amortisseur 5



- Démontez l'amortisseur avec précaution à l'aide de la clé combinée.
- Le montage du nouvel amortisseur s'effectue dans l'ordre inverse.



- Démontez la poignée-étrier (a) (5 vis).
- Démontez avec précaution l'amortisseur avec la clé à pipe (accessoire, non compris dans la livraison).
- Le montage du nouvel amortisseur s'effectue dans l'ordre inverse.

Indications de maintenance et d'entretien périodiques

De manière à garantir une longue durée de vie et le plein fonctionnement des dispositifs de sécurité et à éviter des détériorations, il faut effectuer régulièrement les travaux de maintenance décrits ci-dessous. Les réclamations ne pourront être reconnues comme telles si ces travaux ont été effectués régulièrement et correctement. Des accidents risquent de se produire en cas de non-observation.

Procédez aux opérations de maintenance suivantes tous les jours après le travail. Prenez-en l'habitude, car cela ne prend pas beaucoup de temps et c'est la garantie que votre tronçonneuse fonctionnera toujours correctement.

Cela permet également de détecter les défauts cachés avant qu'ils n'entraînent des interruptions gênantes et onéreuses de votre travail. Si vous détectez un défaut du système de sécurité en procédant à l'entretien quotidien, n'utilisez pas la tronçonneuse avant d'avoir remédié au défaut.

Les utilisateurs de tronçonneuses doivent effectuer que les travaux de maintenance et d'entretien qui sont décrits dans la manual d'emploi. Les travaux non compris dans cette liste ne doivent être exécutés que dans un atelier spécialisé de MAKITA.

			Page
Généralités	Ensemble tronçonneuse	Nettoyer l'extérieur et vérifier s'il n'y a pas de détériorations. En cas de détériorations décider immédiatement une réparation par des professionnels	
	Roue à chaîne Frein à chaîne	Remplacer au moment opportun Faire vérifier régulièrement par l'atelier spécialisé.	57
Avant toute mise en route	Chaîne de sciage	Vérifier le tranchant et si elle n'est pas détériorée Affûter régulièrement, renouveler à temps opportun Contrôler la tension de la chaîne	55-56 50
	Guide de la chaîne	Vérifier s'il n'est pas détérioré	
	Graissage de la chaîne	Vérifier le fonctionnement	52-53
	Frein de chaîne	Vérifier le fonctionnement	53
	Commutateur START/STOP Touche de blocage de sécurité Levier de gaz	Vérifier le fonctionnement	53
	Fermeture réservoirs huile et carburant	Vérifier l'étanchéité	52
Journallement	Filtre à air	Nettoyer	59
	Guide de la chaîne	Vérifier si il n'est pas détérioré, nettoyer l'orifice d'entrée d'huile Retourner pour que les surfaces portantes et sous charge s'usent régulièrement. Remplacer à temps opportun.	52
	Support, guide de chaîne	Nettoyer, particulièrement la rainure d'alimentation d'huile	56
	Vitesse de rotation à vide	Contrôler (la chaîne ne doit pas être entraînée)	54
Toutes les semaines	Carter du ventilateur	Nettoyer pour assurer un parfait guidage de l'air de refroidissement; pour ce faire, démonter le carter du ventilateur	58
	Enceinte du carburateur et ailettes du cylindre	Nettoyer; démonter le couvercle et le capot de protection	
	Frein de chaîne	Nettoyer la bande du frein (sciures, huile)	56
	Bougie	Vérifier, le cas échéant, remplacer	59
	Silencieux	Resserrer les vis de fixation, nettoyage du pare-étincelles	57
	Amortisseur de vibrations	Vérifier	60
	Capteur de chaîne	Vérifier	
Tous les 3 mois	Crépine d'aspiration	Remplacer	
	Réservoirs carburant/huile	Nettoyer	58
Tous les ans	Tronçonneuse entière	Faire vérifier par un atelier spécialisé	
Stockage	Chaîne de sciage et guide de la chaîne	Démonter, nettoyer et légèrement huiler Nettoyer la rainure de guidage du guide de la chaîne	56
	Réservoirs carburant/huile	Vidanger et nettoyer	
	Pompe d'huile	Nettoyer	
	Carburateur	Le laisser se vider en marche	

Service d'atelier, pièces de rechange et garantie

Maintenance et réparations

La maintenance et la remise en état de tronçonneuses modernes ainsi que les éléments les plus importants de la sécurité exigent une formation professionnelle qualifiée et un atelier équipé d'outillage spécial et d'appareils de contrôle.

MAKITA conseille donc de faire exécuter tous les travaux de maintenance non décrits dans la manual d'emploi par un atelier spécialisé MAKITA.

Le spécialiste dispose de la formation, de l'expérience et des équipements nécessaires pour vous apporter chaque fois la solution économique la plus avantageuse et vous apporte une aide d'assistance en pratique et en conseil.

Veuillez vous adresser à la représentation générale indiquée au dos de la présente notice ou à l'importateur désigné. Vous y recevrez l'adresse de l'atelier spécialisé la plus proche de chez vous.

Pièces de rechange

Le fonctionnement permanent fiable et la sécurité de votre appareil dépend aussi de la qualité des pièces de rechange utilisées. N'utilisez que des pièces d'origine MAKITA, signalées par



Seules les pièces d'origine proviennent de la chaîne de production de l'appareil et vous assurent donc la qualité optimale du matériau, du respect des dimensions et du fonctionnement et une sécurité irréprochables.

Les pièces accessoires et de rechange d'origine vous sont proposées par votre vendeur spécialisé. Il dispose des listes de pièces de rechange nécessaires pour déterminer le numéro de la pièce de rechange nécessaire, et vous informera à fur et à mesure des améliorations de détail et des nouveautés dans l'offre des pièces de rechange.

Veillez aussi noter, qu'en utilisant des pièces qui ne sont pas d'origine de MAKITA vous perdez tout droit à la garantie de l'organisation MAKITA.

Garantie

MAKITA garantit un qualité irréprochable et supporte les frais pour une amélioration par remplacement des pièces défectueuses dans le cas de défauts de matériel ou de fabrication qui se présentent dans le délai de garantie après le jour de vente. Veuillez noter que dans certains pays, il existe des conditions de garantie spécifiques. Adressez vous, en cas de doute, à votre vendeur. En tant que vendeur du produit, il doit vous assurer la garantie.

Nous vous prions de comprendre que nous ne pouvons pas assurer la garantie pour les causes de détériorations suivantes:

- Non respect de la manual d'emploi.
- Non exécution des travaux de maintenance et réparations nécessaires.
- Détériorations par suite d'un réglage non conforme du carburateur.
- Usure normale.
- Surcharge manifeste par dépassement permanent de la limite supérieure de la puissance.
- Utilisation de types de chaînes et de guides de la chaîne non agréés.
- Utilisation de longueurs de chaînes et de guides de la chaînes non admises.
- Forçage, traitement non conforme, emploi non autorisé ou cas d'accidents.
- Dégâts de surchauffe par suite d'encrassements sur les ailettes du cylindre et du carter du ventilateur.
- Interventions de personnes non compétentes ou essais de réparations non conformes.
- Utilisation de pièces de rechange non appropriées resp. de pièces non d'origine MAKITA, dans la mesure où elles sont sources de détériorations.
- Utilisation de produits de fonctionnement inadaptés ou superposés.
- Causes de détériorations par suite de non resserrage en temps voulu des assemblages vissés extérieurs.
- Détériorations provenant de conditions d'utilisation du magasin de location.

Les travaux de nettoyage, d'entretien et de réglage ne sont pas reconnus comme prestations de garantie. Tout travail au titre de la garantie est à effectuer par le vendeur spécialiste MAKITA.

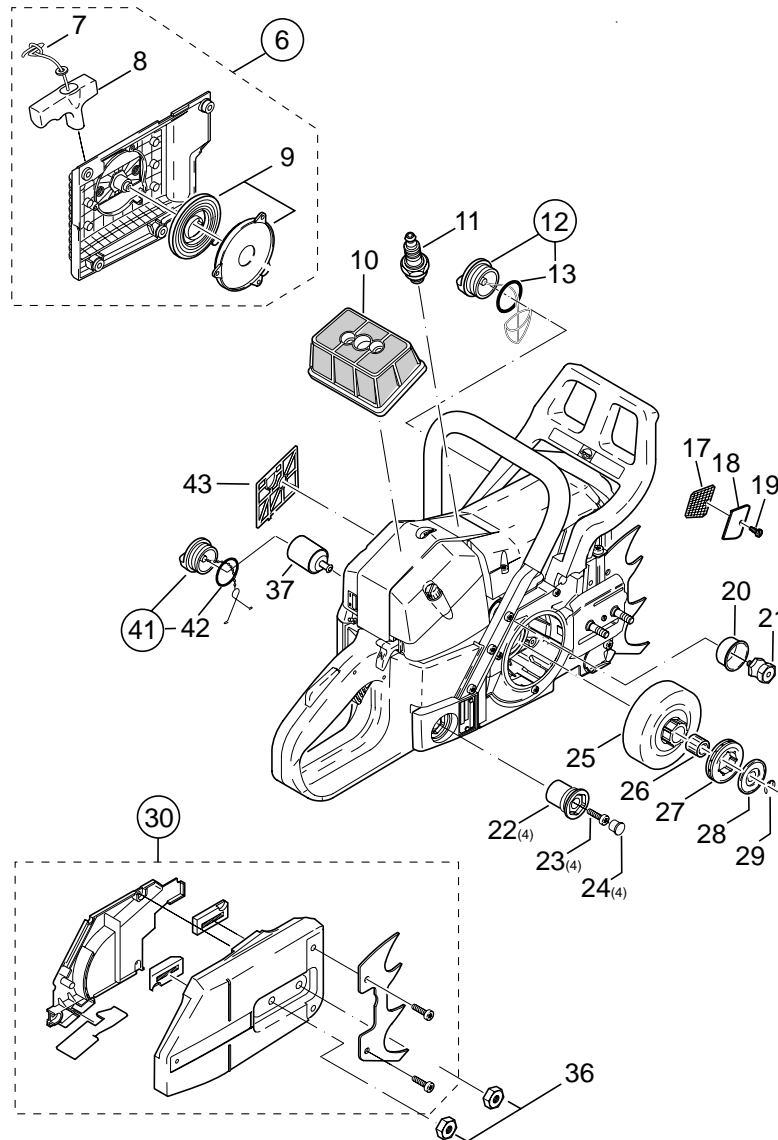
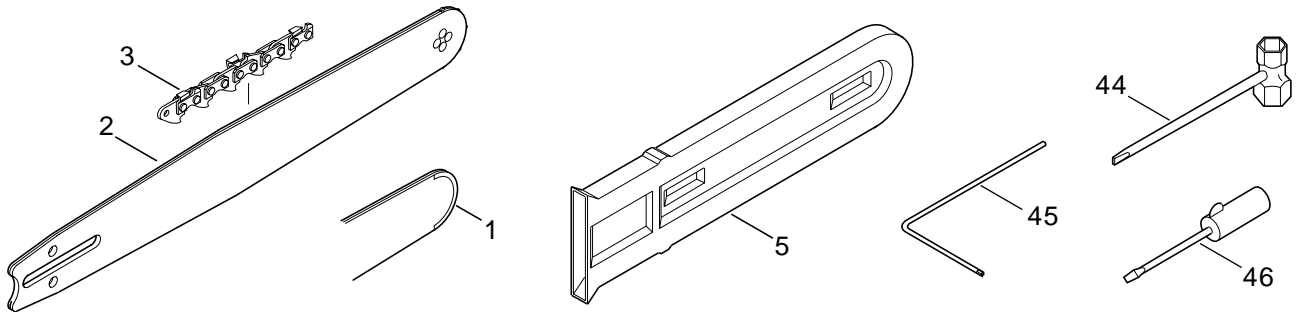
Recherche de pannes

Panne	Système	Observation	Origine
Chaîne ne démarre pas	Frein de chaîne	Moteur tourne	Frein de chaîne enclenché
Moteur ne démarre pas ou démarre difficilement	Système d'allumage Alimentation carburant Système de compression Défaut mécanique	Allumage existe Pas d'allumage Réservoir carburant rempli A l'intérieur de l'appareil A l'extérieur de l'appareil Lanceur n'accroche pas	Défaut dans l'alimentation du carburant, système de compression, défaut mécanique Le commutateur STOP actionné, défaut ou court-circuit ou dans le câblage, fiche de bougie, bougie ou module d'allumage défectueux Choke en mauvaise position, carburateur défectueux, crépine d'aspiration bouchée, conduite de carburant sectionnée ou coincée Joint du pied de cylindre défectueux, bagues à lèvres endommagées, segments de cylindre ou de pistons endommagés Bougie n'est pas étanche Ressort dans le démarreur brisé, pièces brisées à l'intérieur du moteur
Problèmes de démarrage à chaud	Carburateur	Carburant dans réservoir Étincelle existante	Réglage du carburateur non correct
Moteur démarre, mais s'arrête immédiatement après	Alimentation carburant	Carburant dans réservoir	Réglage du ralenti non correct, crépine d'aspiration ou carburateur encrassé Aération réservoir défectueux, conduite carburant interrompue, câble défectueux, commutateur STOP endommagé, soupape de mise en marche encrassée.
Manque puissance	Plusieurs systèmes peuvent être mis en cause	Appareil tourne au ralenti	Filtre d'air encrassé, faux réglage du carburateur, silencieux bouché, tuyau d'échappement des gaz dans le cylindre est bouché, pare-étincelles bouché.
Pas de graissage de la chaîne	Réservoir d'huile, pompe d'huile	Pas d'huile de chaîne sur la chaîne de sciage	Réservoir d'huile vide Rainure d'alimentation d'huile encrassée

Extrait de la liste des pièces de rechange

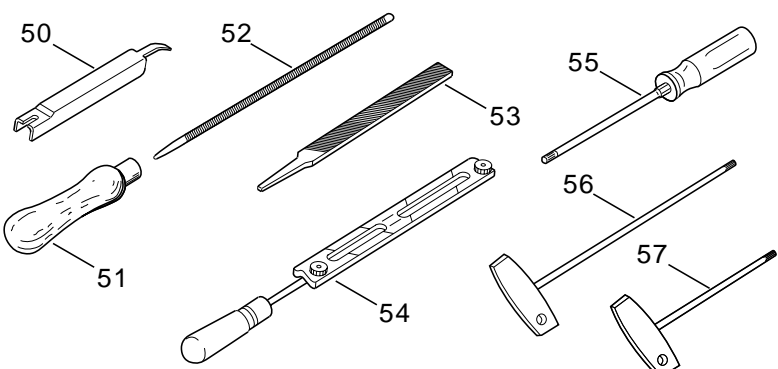
N'utilisez que des pièces de rechange d'origine MAKITA. Pour les réparations et la rechange pour d'autres pièces, votre atelier spécialisé MAKITA est compétent.

DCS 9010



Pos	N° MAKITA	pcs	Désignation
1	443 050 452	1	Guide blindé 50 cm (20")
	443 060 452	1	Guide blindé 60 cm (24")
	443 074 452	1	Guide blindé 74 cm (29")
2	443 050 652	1	Guide à étoile 50 cm (20")
	443 060 652	1	Guide à étoile 60 cm (24")
3	528 099 672	1	Chaîne de sciage 3/8", 50 cm
	528 099 680	1	Chaîne de sciage 3/8", 60 cm
	528 099 696	1	Chaîne de sciage 3/8", 74 cm
5	952 100 653	1	Protection chaîne, 20-24"
	952 100 171	1	Protection chaîne, 29"
6	024 112 630	1	Dispositif cpl. de lancement
7	122 164 010	1	Cordon de lancement
8	965 402 262	1	Poignée de lancement
9	020 163 031	1	Ressort de rappel
10	024 173 230	1	Filtre à air (Robkoflock)
11	965 603 021	1	Bougie
12	010 114 050	1	Capuchon cpl. réservoir huile
13	963 228 030	1	Joint torique
17	024 174 160	1	Tamis protecteur étincelles
18	024 174 171	1	Chicane
19	915 142 090	1	Vis à tête
20	965 551 250	1	Pot
21	965 403 430	1	Amortisseur
22	965 403 461	4	Amortisseur
23	913 455 204	4	Vis de cylindre
24	965 404 740	4	Capuchon de fermeture
25	024 223 041	1	Tambour d'accouplement
26	962 210 024	1	Cage à aiguilles
27	119 224 070	1	Roue à chaîne 3/8", Z = 7
28	001 224 011	1	Disque de démarrage
29	927 308 000	1	Circlips 8
30	024 213 670	1	Protection cpl. roue à chaîne
36	923 208 004	2	Ecrou hexag.
37	963 601 120	1	Crépine d'aspiration
41	965 451 901	1	Capuchon cpl. réservoir essence
42	963 232 045	1	Joint torique
43	024 173 081	1	Préfiltre
44	941 719 171	1	Clé combinée ouverture
45	940 827 000	1	Tournevis coudé
46	944 340 001	1	Tournevis pour carburateur

Accessoires (non compris dans la livraison)



50	953 100 071	1	Jauge de mesure des chaînes
51	953 004 010	1	Manche de lime
52	953 003 040	1	Lime ronde 7/32" (5.5 mm)
52	953 003 070	1	Lime ronde 3/16" (4.8 mm)
53	953 003 060	1	Lime plate
54	953 009 000	1	Porte lime (avec lime ronde 7/32" (5.5 mm))
-	953 007 000	1	Chevalet de lime
55	944 500 860	1	Tournevis
56	944 500 862	1	Tournevis 8" (200 mm)
57	944 500 861	1	Tournevis 4" (100 mm)
-	944 500 621	1	Clé à pipe (pour amortisseurs)
-	949 000 031	1	Nourrice combinée (pour 5l carburant, 2,5 l huile)



Makita U.S.A., Inc.
14930 Northam Street
La Mirada
CA 90638-5753
USA

Makita Canada Inc.
DOLMAR Division
1950 Forbes Street
Whitby, Ontario
Canada, L1N 7B7

Form: 995 707 823 (9.99 GB, F)
Specifications subject to change without notice
Changements sans préavis

Free Manuals Download Website

<http://myh66.com>

<http://usermanuals.us>

<http://www.somanuals.com>

<http://www.4manuals.cc>

<http://www.manual-lib.com>

<http://www.404manual.com>

<http://www.luxmanual.com>

<http://aubethermostatmanual.com>

Golf course search by state

<http://golfingnear.com>

Email search by domain

<http://emailbydomain.com>

Auto manuals search

<http://auto.somanuals.com>

TV manuals search

<http://tv.somanuals.com>