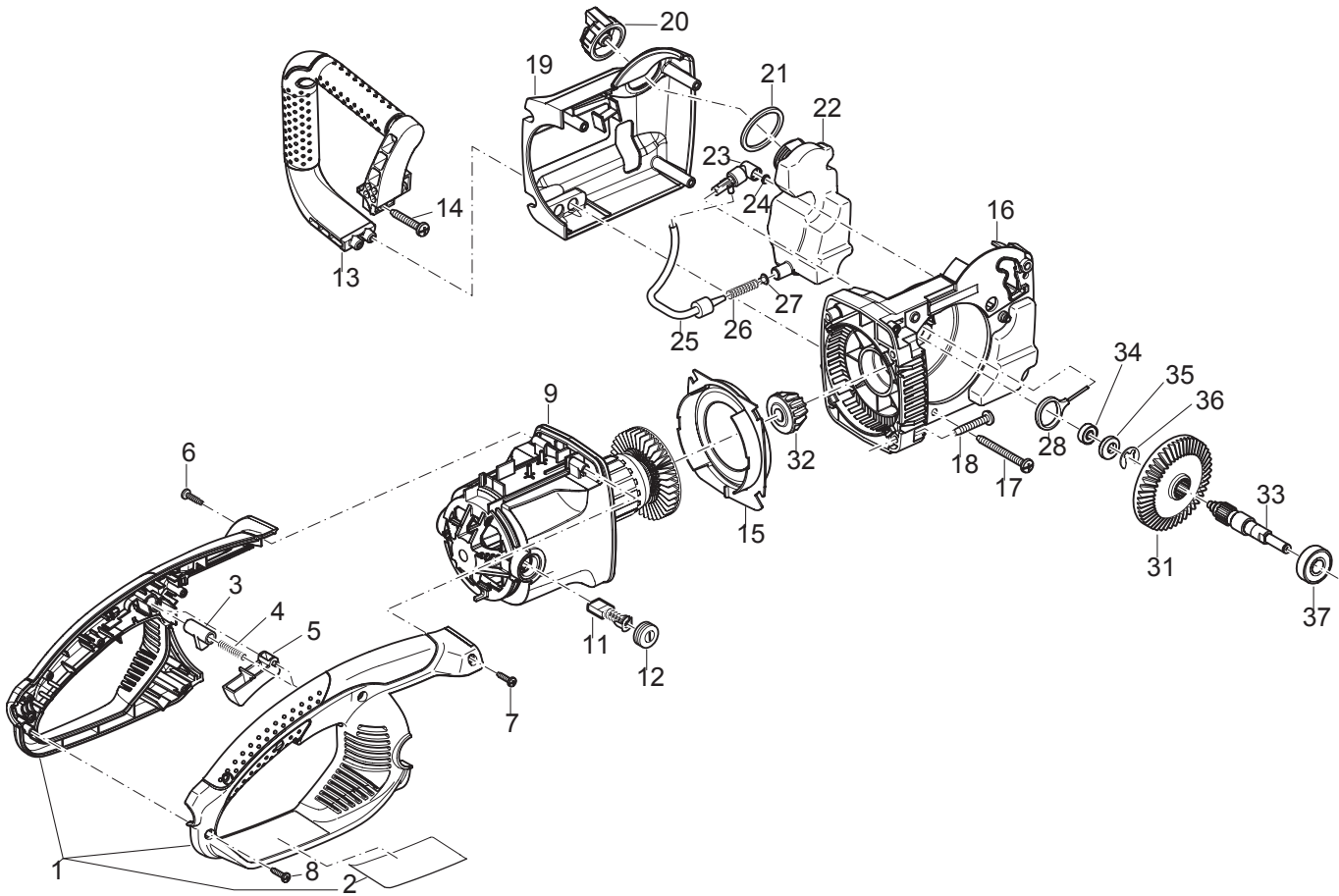


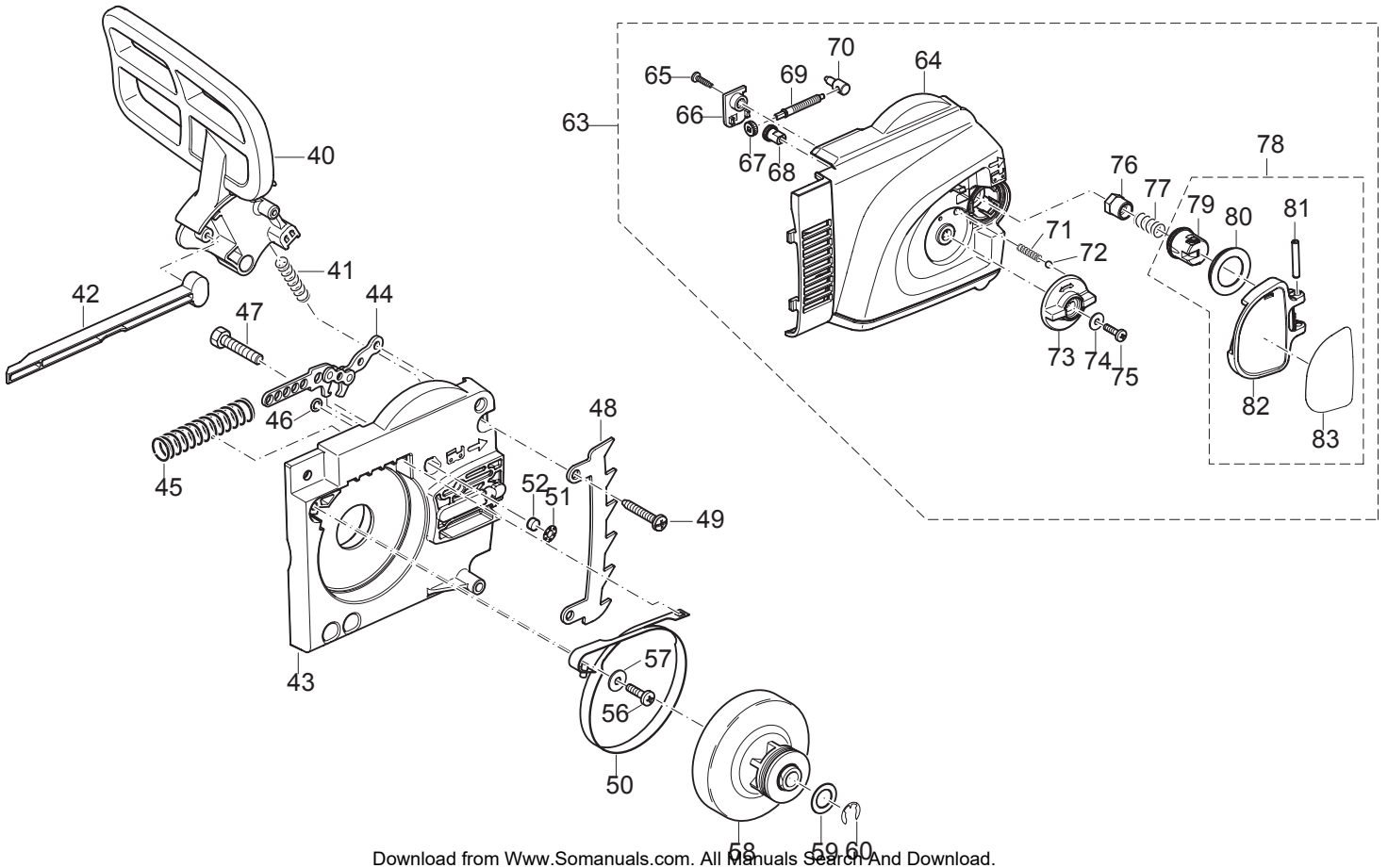
CONTENTS:

- 1) HANDLES, MOTOR CASE, GEAR
- 2) OIL PUMP, CLUTCH, CHAIN BRAKE
- 3) MOTOR, CABLE, SWITCH
- 4) ACCESSORIES

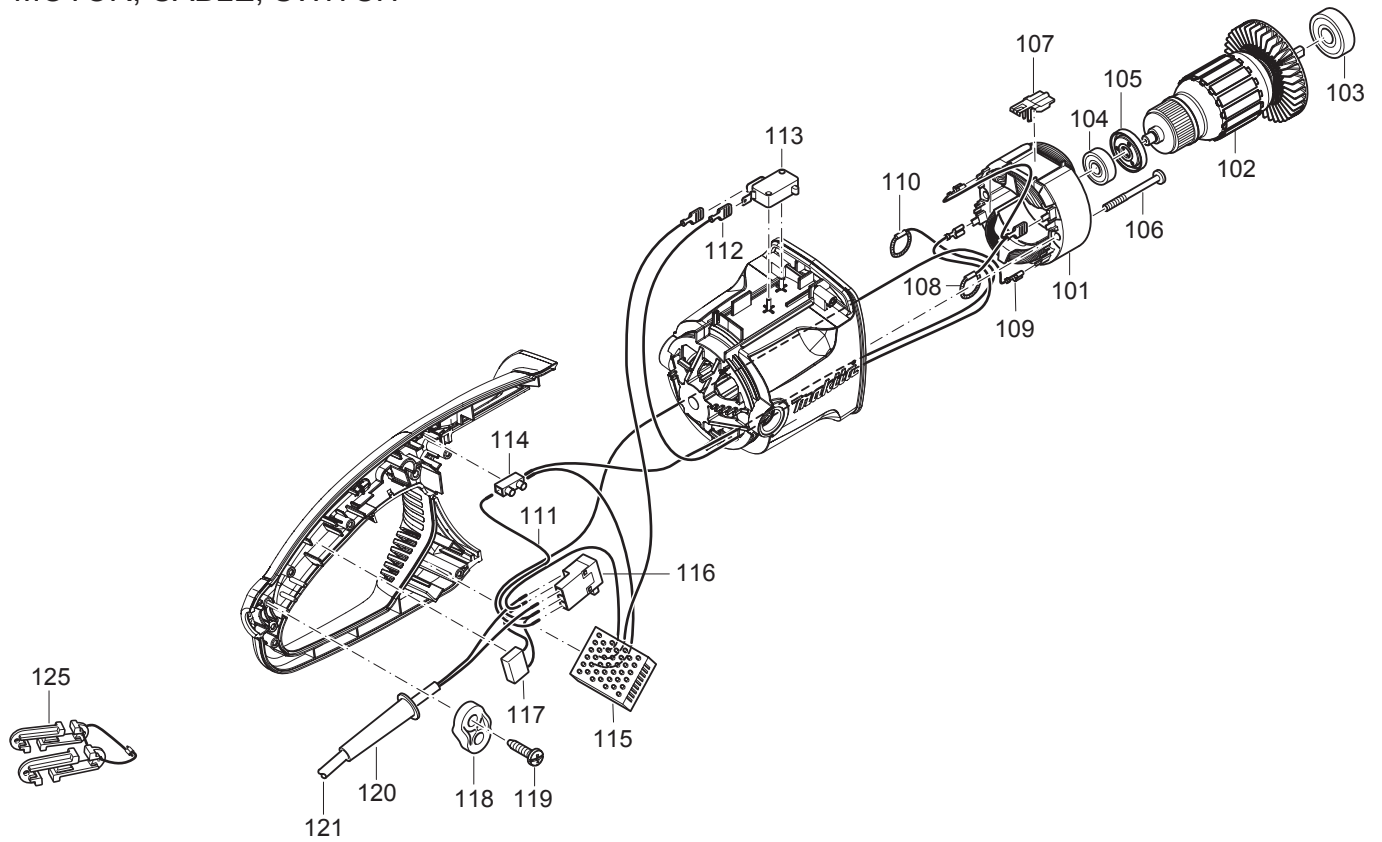
1) HANDLES, MOTOR CASE, GEAR



2) OIL PUMP, CLUTCH, CHAIN BRAKE



3) MOTOR, CABLE, SWITCH



4) ACCESSORIES

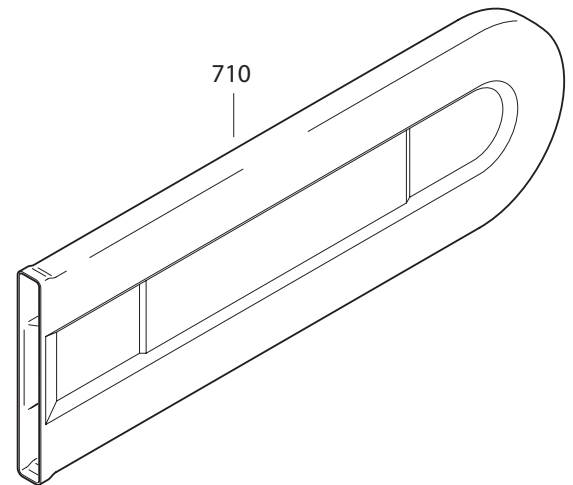
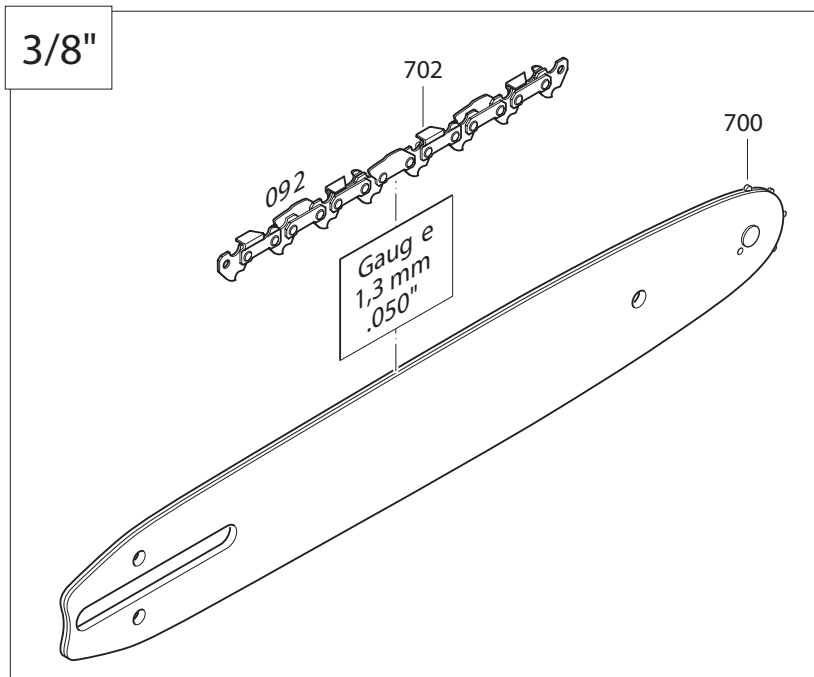


Fig.	Part No.	Qty.	Description	SPECIFICATION	NOTE
1	226 310 620	1	HANDLE CPL.	UL	USA
2	980 115 235	1	LABEL		
3	225 144 010	1	LOCKING BUTTON		
4	225 145 010	1	SPRING		
5	226 271 010	1	SWITCH		
6	660 265 995	1	SCREW		
7	660 265 995	1	SCREW		
8	660 265 995	5	SCREW		
9	226 111 660	1	MOTOR CASE		
11	957 805 410	1	CARBON BRUSH (2 PCS.)	SET	
12	970 805 420	2	COVER		
13	226 310 020	1	TUBULAR HANDLE		
14	226 111 810	2	SCREW	5X30	
15	226 118 010	1	AIR DUCT		
16	226 211 020	1	GEAR HOUSING LEFT		
17	226 111 850	2	SCREW	5X55	
18	226 111 810	4	SCREW	5X30	
19	226 211 120	1	COVER CPL.		
19	226 211 110	1	COVER CPL.	UL	
20	226 114 100	1	TANK CAP CPL.		
21	226 114 060	1	GASKET		
22	226 114 020	1	OIL TANK		
23	226 245 200	1	OIL PUMP CPL.		
24	963 206 018	1	O-RING	5,5X1,8	
25	226 245 210	1	SUCTION LINE		
26	021 245 060	1	SPRING		
27	021 245 100	1	PLUG		
28	226 245 060	1	PISTON		
31	225 221 012	1	GEAR WHEEL CPL.	Z=43	
32	225 222 010	1	PINION	Z=14	
33	226 221 020	1	SPIKE BAR CPL.		
34	960 101 064	1	BALL BEARING	606ZZ	
35	226 245 050	1	WASHER		
36	930 110 120	1	LOCK WASHER	10X1,2	
37	960 102 124	1	BALL BEARING	6201 2Z	
40	226 213 020	1	HAND GUARD		
41	225 213 060	1	SPRING		
42	226 114 030	1	SWITCH ROD		
43	226 211 015	1	GEAR HOUSING RIGHT		
44	028 213 532	1	BRAKE SPRING HOLDER CPL.		
45	028 213 210	1	SPRING		
46	963 206 018	1	O-RING	5,5X1,8	
47	900 208 304	1	SCREW	M8X30	
48	226 250 010	1	SPIKE BR CPL.		
49	226 111 810	2	SCREW	5X30	
50	226 213 050	1	BRAKE BAND		
51	226 211 040	1	CLAMPING RING		
52	226 211 050	1	FELT		
56	226 111 820	1	SCREW	4X12	
57	924 204 320	1	WASHER	4,3X12X1,2 *522	
58	226 223 110	1	CLUTCH DRUM CPL.	3/8"	
59	221 229 180	1	WASHER	8,0X14,0X0,5	
60	930 106 070	1	LOCK WASHER		
63	226 213 400	1	SPROCKET GUARD TLC CPL.		

64	226 213 100	1	SPROCKET GUARD		
65	320 266 007	1	SCREW		
66	226 213 370	1	COVER		
67	226 213 320	1	BEVEL GEAR	5 Z14	
68	226 213 330	1	BEVEL GEAR	14 Z14	
69	226 213 310	1	SCREW		
70	226 213 410	1	NUT		
71	170 213 690	1	SPRING		
72	170 213 770	1	LOCKING BALL		
73	226 213 340	1	TENSIONING WHEEL		
74	924 204 020	1	WASHER	4X12X0,5	
75	226 213 380	1	SCREW	M4X8	
76	226 213 040	1	NUT	M8	
77	170 213 730	1	SPRING		
78	226 213 300	1	GRIP CPL.		
79	226 213 360	1	SUPPORT		
80	170 213 780	1	WASHER	TLC	
81	934 940 280	1	CLAMPING SLEEVE	4X28	
82	226 213 350	1	GRIP		
83	980 115 236	1	LABEL		
101	970 805 250	1	STATOR	115V (UL)	
102	970 805 310	1	ROTOR	115 V	
106	226 111 850	2	SCREW	5X55	
107	970 801 860	2	CLAMP		
108	970 311 710	1	CABLE		
109	970 311 690	1	CABLE		
110	970 310 730	1	CABLE		
111	970 311 720	1	CABLE		
112	970 311 680	1	CABLE		
113	970 001 240	1	SWITCH		
114	970 201210	1	SCREW WIRE CONNECTOR		
115	970 104 011	1	CONTROLLER	130V	
116	975 001 190	1	PUSH BUTTON		
117	970 109 840	1	CAPACITOR		
118	225 152 060	1	TRACTION RELIEF	115V	
120	225 152 010	1	BREAK PROTECTION		
121	970 102 460	1	CABLE WITH PLUG	125V (USA)	
125	970 102 050	1	TRACTION RELIEF		
700	442 035 661	1	SPROCKET NOSE BAR	3/8" .050" 35cm-14" (UC3530A)	ACC.
700	442 040 661	1	SPROCKET NOSE BAR	3/8" .050" 40cm-16" (UC4030A)	ACC.
702	528 092 652	1	SAW CHAIN	3/8" .050" 35cm-14" (UC3530A)	ACC.
702	528 092 656	1	SAW CHAIN	3/8" .050" 40cm-16" (UC4030A)	ACC.
710	952 010 630	1	CHAIN PROTECTION COVER		ACC.

Free Manuals Download Website

<http://myh66.com>

<http://usermanuals.us>

<http://www.somanuals.com>

<http://www.4manuals.cc>

<http://www.manual-lib.com>

<http://www.404manual.com>

<http://www.luxmanual.com>

<http://aubethermostatmanual.com>

Golf course search by state

<http://golfingnear.com>

Email search by domain

<http://emailbydomain.com>

Auto manuals search

<http://auto.somanuals.com>

TV manuals search

<http://tv.somanuals.com>