

TECHNICAL INFORMATION



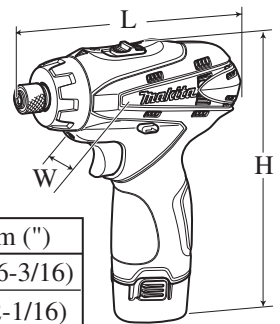
PRODUCT

P 1/4

Models No. ▶ DF030D (FD01*)

Description ▶ 10.8V Cordless Driver Drill

* Model number for North and Central American countries except Mexico and Guam



CONCEPT AND MAIN APPLICATIONS

Model DF030D is a 10.8V cordless driver drill compact and lightweight for easy handling, but featuring 2-speed gear selection with variable speed in each range for a wide range of applications.

Uses new 10.8V Li-ion battery of stick type as a power unit.

Dimensions: mm (")	
Length (L)	157 (6-3/16)
Width (W)	53 (2-1/16)
Height (H)	183 (7-1/4)

This product is available in the following variations.

Model No.	Battery		Charger	Plastic carrying case	Housing color	Offered to
	type	quantity				
DF030D	BL1013 (Li-ion 1.3Ah)	2	DC10WA	Yes	Makita-blue	USA, Canada Mexico, Panama
DF030DW					white	
DF030DWE					Makita-blue	All countries except the four listed above
DF030DWEW					white	

The models also includes the accessories listed below in "Standard equipment".

► Specification

Battery	Type of cell	Li-ion
	Voltage: V	10.8
	Capacity: Ah	1.3
	Charging time (approx.): min.	50 with DC10WA
Max. output: W		115
No load speed: min-1 = rpm	Low	0 - 350
	High	0 - 1,300
Driving shank: mm (")		6.35 (1/4) Hex
Capacities: mm (")	Steel	10 (3/8)
	Wood	21 (13/16)
Max. fastening torque: N.m (in.lbs)	Soft joint	14 (120)
	Hard joint	24 (210)
Torque adjustment		18 stages + drill mode
Clutch torque setting: N.m (in.lbs)		0.5 - 3.5 (4 - 30)
Lock torque: N.m (in.lbs)		22 (200)
Electric brake		Yes
Variable speed control by trigger		Yes
Mechanical 2-speed		Yes
Reverse switch		Yes
LED job light		Yes
Net weight [with battery BL1013]: kg (lbs)		0.88 (1.9)

► Standard equipment

Phillips bit 2-50 (double-end) 1 pc (for countries using M-type spindle)
 Phillips bit 2-45 (double-end) 1 pc (for countries using N-type spindle)
 Holster 1 pc

Note: The standard equipment for the tool shown above may differ by country.

► Optional accessories

Driver bits, Socket bits, Hex shank drill bits for wood, Hex shank drill bits for steel, Bit piece, Drill chuck, Charger DC10WA, Battery BL1013

► Repair

CAUTION: Remove the bit and the battery from the machine for safety before repair/ maintenance in accordance with the instruction manual!

[1] NECESSARY REPAIRING TOOLS

Code No.	Description	Use for
1R291	Retaining ring S and R pliers	Removing/ Installing Bit sleeve

[2] DISASSEMBLY/ASSEMBLY

[3]-1. DC Motor, Gear Assembly, Speed Change Lever Assembly

DISASSEMBLING

- 1) Remove two Set plates with which Handles (L) and (R) are assembled to one another as follows:
Insert a small slotted screwdriver through the punched hole of Set plate and move Set plate in the direction of the arrow using the screwdriver. **(Fig.1)**
- 2) Remove Housing (R) from Housing (L) by loosening six Bind PT3x6 tapping screws.
- 3) Remove Speed change lever assembly from Gear assembly. **(Fig. 2)**
- 4) Remove DC motor from Gear assembly as illustrated in **Fig. 3**
- 5) Separate DC motor from Bracket by loosening two M3x6 Pan head screws. **(Fig. 4)**

Fig. 1

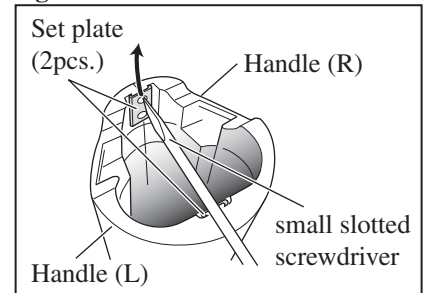


Fig. 2

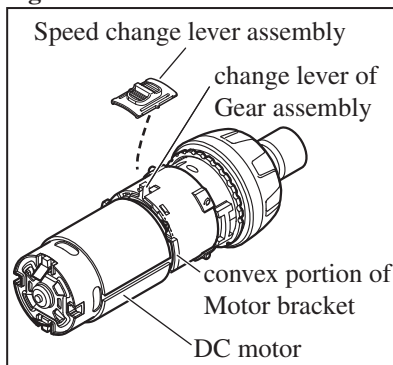


Fig. 3

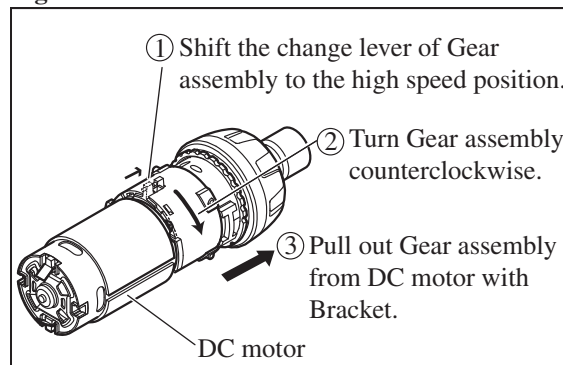
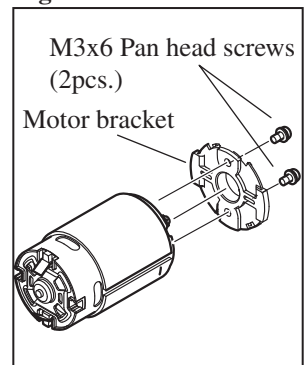


Fig. 4



ASSEMBLING

- 1) Fix Motor bracket to DC motor with two M3x6 Pan head screws.
Note: Align the red marking on DC motor with non-convex portion of Motor bracket. **(Fig. 5)**
- 2) Fix Gear assembly to DC motor with bracket and turn Gear assembly clockwise.
Note: Align the change lever of Gear assembly with the red marking on DC motor. **(Fig. 3)**
- 3) Fix Speed change lever assembly to the change lever of Gear assembly as illustrated in **Fig. 2**.
Note: Set the change lever of Gear assembly in place between two Compression springs 4 on the reverse side of Speed change lever assembly, and insert the emboss of the change lever into one of Compression spring 4. **(Fig. 6)**

Fig. 5

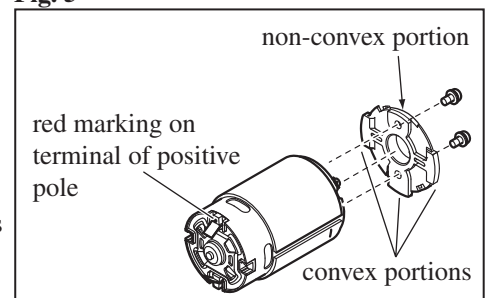
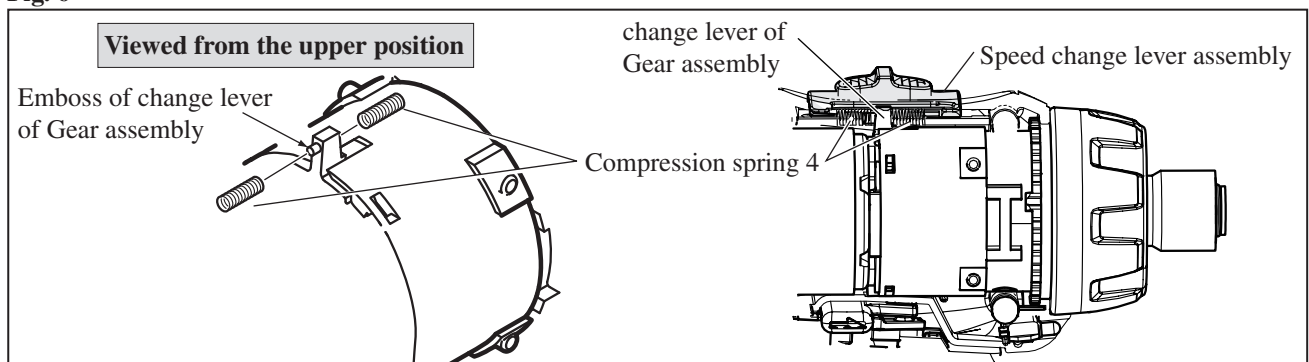


Fig. 6



► Repair

[2] DISASSEMBLY/ASSEMBLY

[3]-1. DC Motor, Gear Assembly, Speed Change Lever Assembly (cont.)

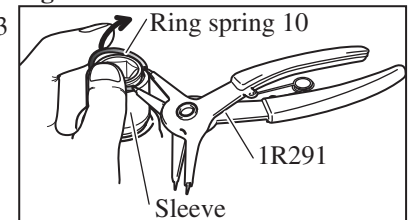
ASSEMBLING

- (4) After installing the assembled parts in place of Housing L, shift Speed change lever assembly to either low speed position or high speed position.
- (5) Fixing Housing (R) to Housing (L) with six Bind PT3x16 tapping screws.
- (6) Insert two Set plates in place. (Fig. 1)

[3]-2. Disassembling Bit Holder of Gear Assembly

- (1) While pushing the top of sleeve by your thumb to prevent Compression spring 13 from popping out from Bit holder, expand Ring spring 10 using 1R291 and raise the opposite of the expanded Ring spring 10 by your index finger. (Fig. 7)
- (2) Ring spring 10 can be removed.
And Flat washer 11, Compression spring 13, Bit sleeve and Steel ball 3 (2pcs.) can be removed.

Fig. 7

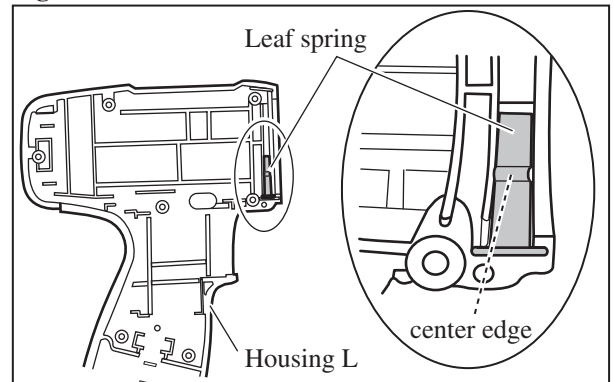


[3]-3. Assembling Leaf Spring

Set Leaf spring in place. (Fig. 8)

Note: Do not face the center edge of Leaf spring to Housing L.

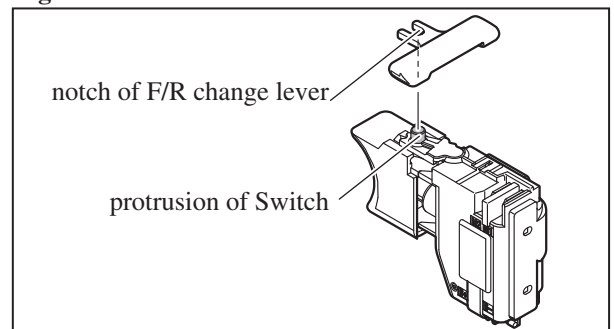
Fig. 8



[3]-4. Assembling F/R Change Lever

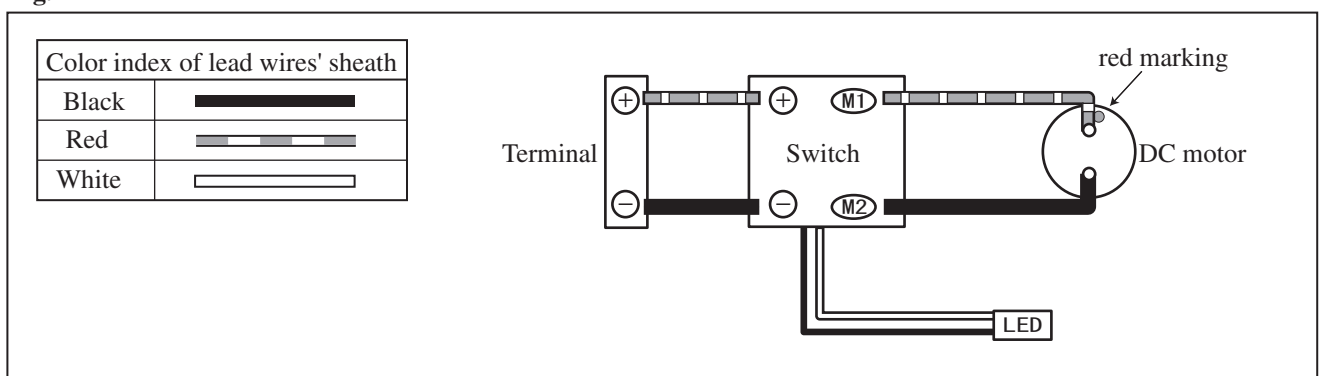
Link the notch of F/R change lever and the protrusion of Switch, then install them in Housing L. (Fig. 9)

Fig. 9



► Circuit diagram

Fig. D-1



► **Wiring diagram**

Fig. D-2

Pay attention to the directions of lead wires and connect Flag receptacles to electrical parts.
Refer to the following illustration.

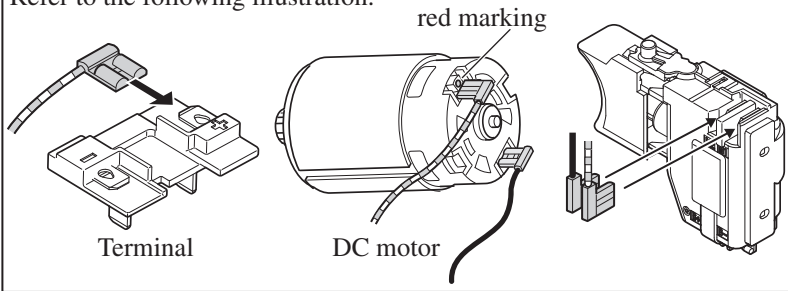


Fig. D-3

Before installing Switch in Housing R, route Lead wires as illustrated below and connect two Connectors. Do not ride their Lead wires on ribs.

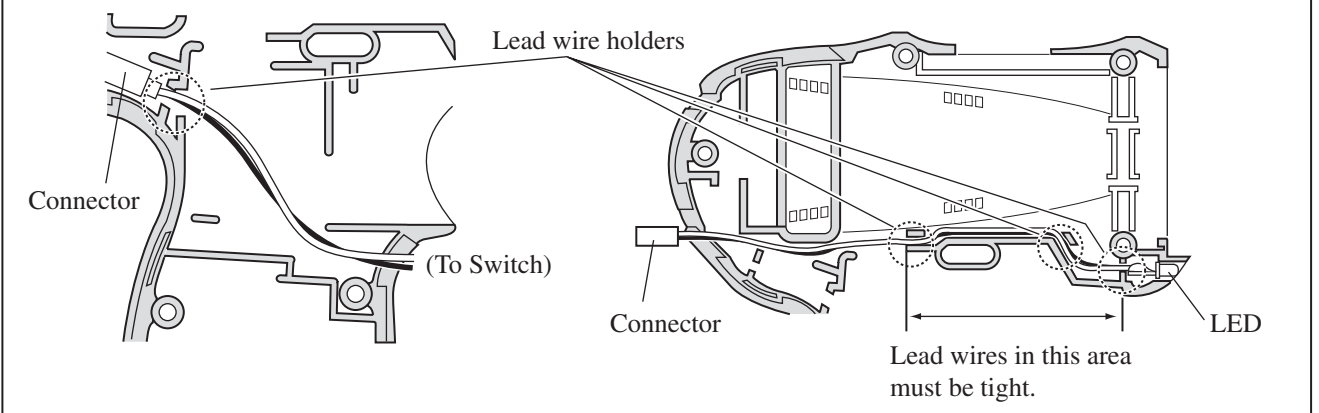
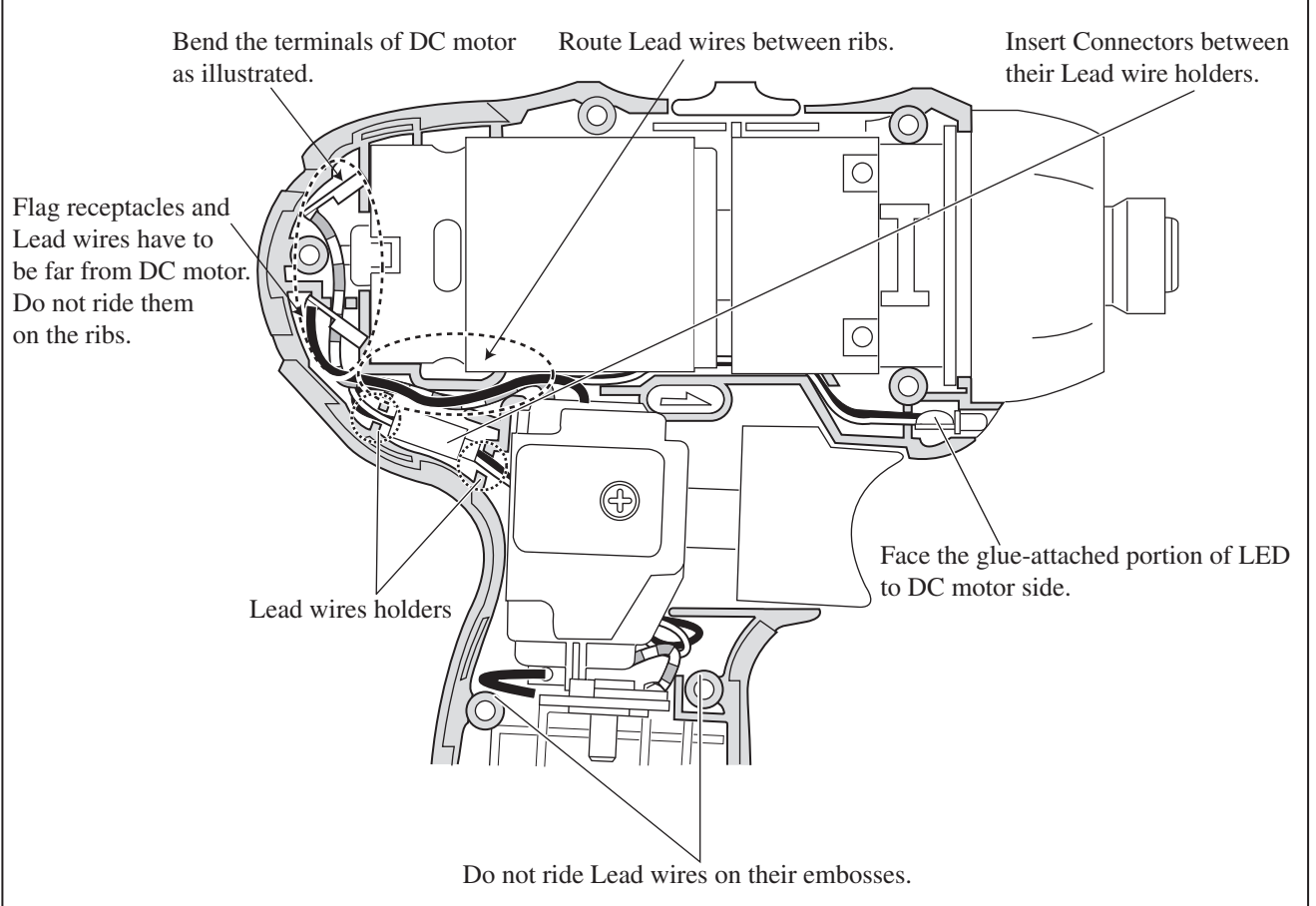


Fig. D-4



Free Manuals Download Website

<http://myh66.com>

<http://usermanuals.us>

<http://www.somanuals.com>

<http://www.4manuals.cc>

<http://www.manual-lib.com>

<http://www.404manual.com>

<http://www.luxmanual.com>

<http://aubethermostatmanual.com>

Golf course search by state

<http://golfingnear.com>

Email search by domain

<http://emailbydomain.com>

Auto manuals search

<http://auto.somanuals.com>

TV manuals search

<http://tv.somanuals.com>