

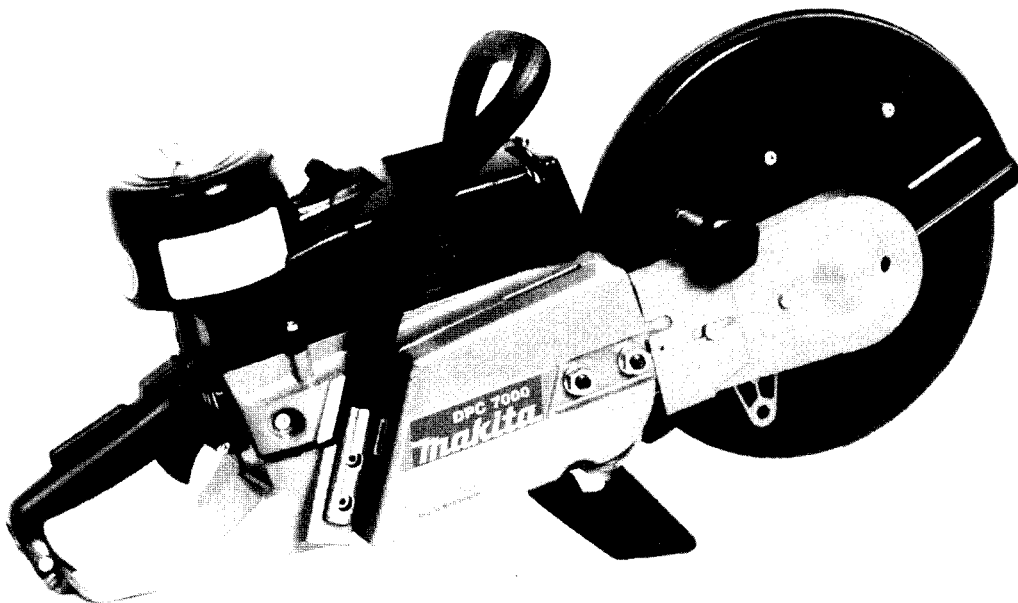
Makita

Owner's and Safety Manual

for Power Cut (page 2 - 25)

Manuel d'emploi et de sécurité

de la découpeuse (page 26 - 49)



**DPC 7000, DPC 7001
DPC 9500, DPC 9501**

WARNING!

Read this Owner's Manual carefully before putting the Power Cut into operation and strictly observe the Safety Manual! Improper use can cause serious injury! Preserve this Manual carefully!

ATTENTION!

Lire attentivement ce manuel avant la première mise en service et observer absolument les prescriptions de sécurité! Une utilisation incorrecte de la découpeuse peut entraîner des blessures graves! Conservez avec soin ce manuel d'emploi!

Thank you for purchasing a MAKITA product!

Congratulations on choosing a MAKITA Power Cut cutoff saw! We are confident that you will be satisfied with this modern piece of equipment. Like our chain saws, the MAKITA Power Cuts feature specially designed high-performance engines with outstanding power-to-weight ratios, for heavy-duty yet lightweight tools.

Other advantages of the MAKITA Power Cuts:

- Sturdy construction and high reliability.
- Maintenance-free electronic ignition, hermetically sealed to protect against dust and moisture.
- Vibration damping with the 2-mass system (D2M) for tireless working even when guiding the Power Cut by hand.
- Three-stage air-filter system for reliable operation even in very dusty conditions.
- Two options for mounting the cutter attachment: Either centrally, for good balance when guiding the unit manually, or on the side, for flush cuts along walls or curbsides or horizontally directly above the ground.
- Extensive line of synthetic-resin and diamond cutting discs, and trolley with vibration damping, dust catcher, and several systems for water supply to the cutting disc.

We want you to be satisfied with your MAKITA product.

In order to guarantee the optimal function and performance of your Power Cut and to ensure your personal safety we would request you to perform the following:

Read this owner's manual carefully before putting the Power Cut into operation for the first time, and strictly observe the safety regulations.

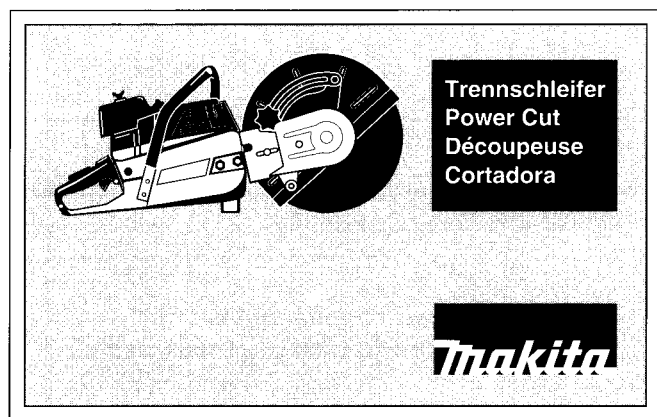


Table of contents

Page

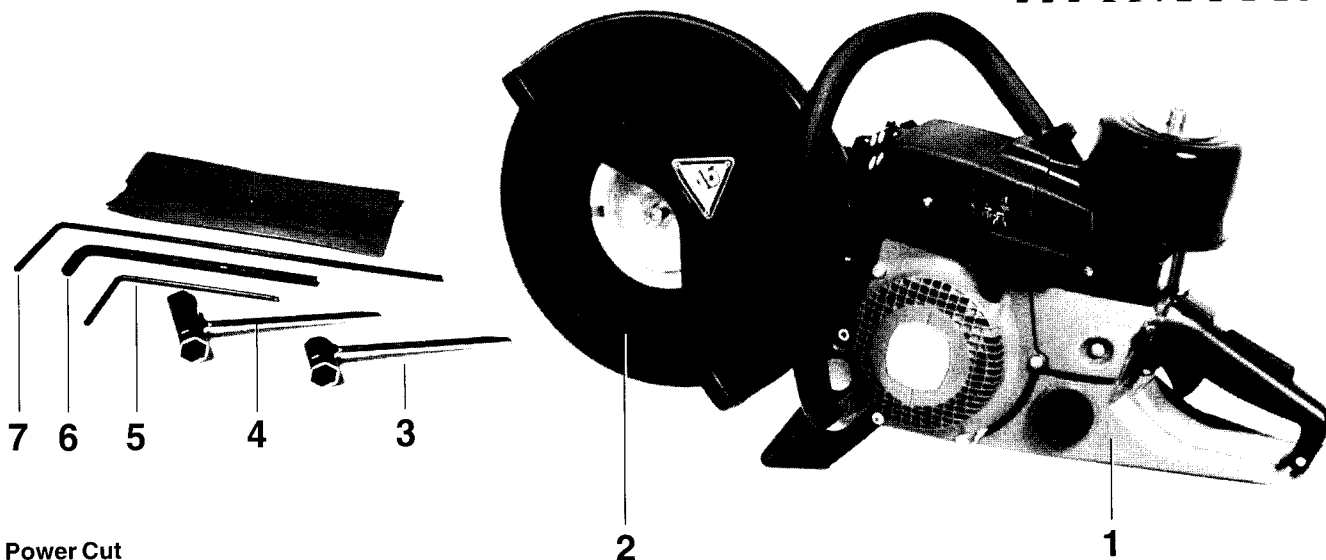
Packing	2
Delivery inventory	3
Symbols	3
SAFETY PRECAUTIONS	4
General precautions	4
Protective equipment	4-5
Fuels / Refuelling	5
Putting into operation	5
Cutting discs	6
Kickback and lock-in	7
Working behavior / Method of working	7
Cutting metal	8
Cutting masonry	8-9
Transport and storage	9
Maintenance	10
First aid	10
Technical data	11
Denomination of components	11
PUTTING INTO OPERATION	12
Installing the drive arm and mounting the cutting disc	12-13
Tightening the V-belt	13
Mounting the cutting disc	13-14
Fuels / Refuelling	14-15
Starting the engine	15
Cold-starting	15
Warm-starting	15
If the engine won't start	15
Stopping the engine	15
Adjusting the carburetor	16
MAINTENANCE	17
Changing the V-belt	17
Cleaning the protection hood	17
Cleaning / changing the air filter	18
Replacing the spark plug	18
Replacing the suction head	19
Replacing the starter cable	19
Replacing the return spring	20
Instructions for periodic maintenance	23
Cutting attachment in central / side position	20
Repositioning the cutting attachment (DPC 7000, DPC 7001)	20-21
Repositioning the cutting attachment (DPC 9500, DPC 9501)	21
SPECIAL ACCESSORIES	22
Diamond cutting discs, trolley, water tank and pressure water system	22
Service, spare parts and guarantee	23-24
Trouble shooting	24
Extract from spare parts list	25
Accessories	25
Service centers in the USA	50
Notes	51

Packing

Your MAKITA Power Cut is packed in a cardboard box to prevent shipping damage.

Cardboard is a basic raw material and is consequently reuseable or suitable for recycling (waste paper recycling).





- 1. Power Cut
- 2. Cutting disc
- 3. Wrench 17
- 4. Universal wrench 17/19
- 5. Offset screwdriver
- 6. Allen key, 8 mm (for cutting disc mounting)
- 7. Allen key, 5 mm (for V-belt tightening)
- 8. Owner's Manual (not shown)

In case one of the parts listed should not be included in the delivery inventory, please consult your sales agent.

Symbols

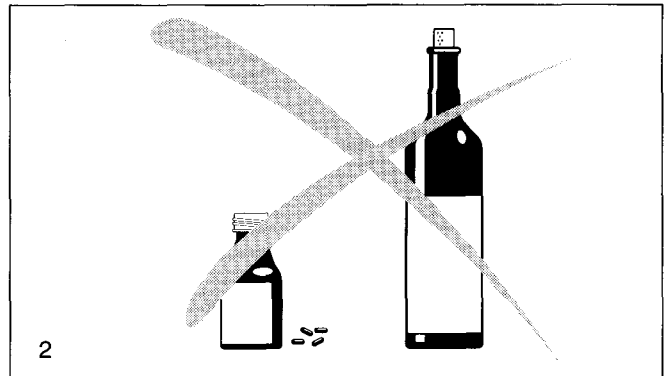
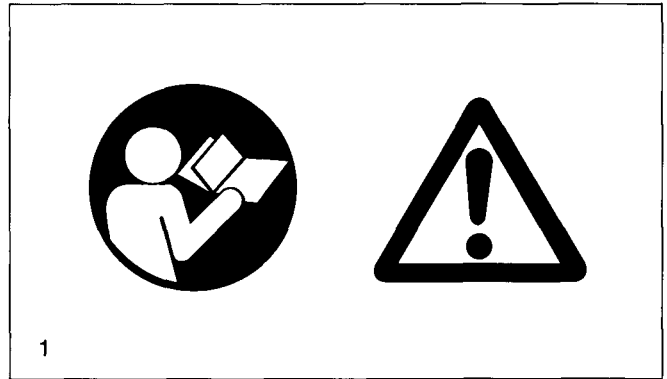
You will notice the following symbols on the Power Cut and in the Owner's Manual:

	Read Owner's Manual and follow the warning- and safety precautions!	Start Stop	On/Off (I/O) switch
	Particular care and caution!		Choke switch
	Forbidden!		Press starting valve
	Wear protective helmet, eye and ear protection!		Engine - manual start
	Wear protective gloves!		Emergency stop
	Wear respiratory protection!		Kickback!
	No smoking!		Fuel and oil mixture
	No open fire!		First aid
	Warning: the max. peripheral speed of the cutting disc is 80 m/s!		Recycling

SAFETY PRECAUTIONS

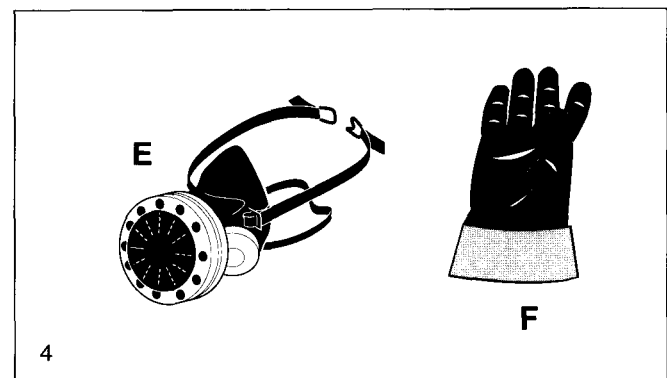
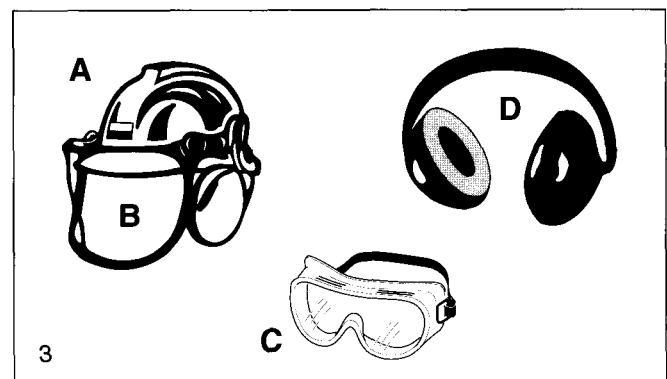
General precautions

- **The operator MUST read this owner's manual to ensure safe operation (even if you already have experience in using cutoff saws).** It is important to be familiar with the operation of this particular cutoff saw. Users insufficiently informed will endanger themselves as well as others due to improper handling.
- Let only persons who have experience in using cutoff saws work with this unit. When letting another person use the Power Cut, this owner's manual must be provided along with it.
- First-time operators should ask a specialist to instruct them in working with gasoline-powered cutoff saws.
- Children and persons under 18 years of age must not be allowed to use this Power Cut. Persons over the age of 16 years may, however, use the Power Cut for the purpose of being trained as long as they are under the supervision of a qualified trainer.
- Working with the Power Cut requires high concentration.
- Operate the Power Cut only if you are in good physical condition. If you are tired, your attention will be reduced. Be especially careful at the end of a working day. Perform all work calmly and carefully. The user has to accept liability for others.
- **NEVER** use the Power Cut while under the influence of alcohol or drugs!
- A fire extinguisher must be available in the immediate vicinity when working in easily inflammable vegetation or when it has not rained for a long time (danger of fire).
- Asbestos and other materials that can release toxins may be cut only after notification of the proper authorities and under their supervision or that of a person appointed by them.



Protective equipment

- **In order to avoid head, eye, hand or foot injuries as well as to protect your hearing the following protective equipment must be used during operation of the Power Cut:**
- The kind of clothing should be appropriate, i. e. it should be tight-fitting but not be a hindrance. Clothing in which grains of material can accumulate (trousers with cuffs, jackets and trousers with wide-open pockets, etc.) must not be worn, particularly when cutting metal.
- Do not wear any jewellery or clothing that can get caught or distract from the operation of the Power Cut.
- It is necessary to wear a protective helmet whenever working with the Power Cut. The **protective helmet (A)** is to be checked in regular intervals for damage and is to be replaced after 5 years at the latest. Use only approved protective helmets.
- The helmet **visor (B)** protects the face from dust and material grains. In order to prevent injuries to eyes and face, always wear **protective goggles (C)** or visor when using the Power Cut.
- Wear adequate **noise protection equipment** (ear muffs (D), ear plugs, etc.).
- When dry-cutting dust-producing materials such as stone or concrete, always wear approved **respiratory protection (E)**.
- **Work gloves (F)** of tough leather are part of the required work kit of the Power Cut and must always be worn when working with the Power Cut.



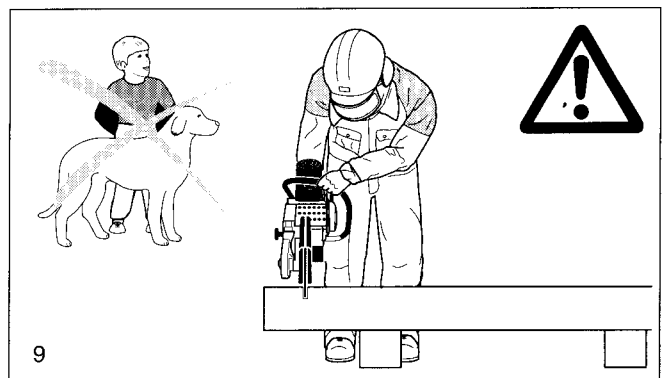
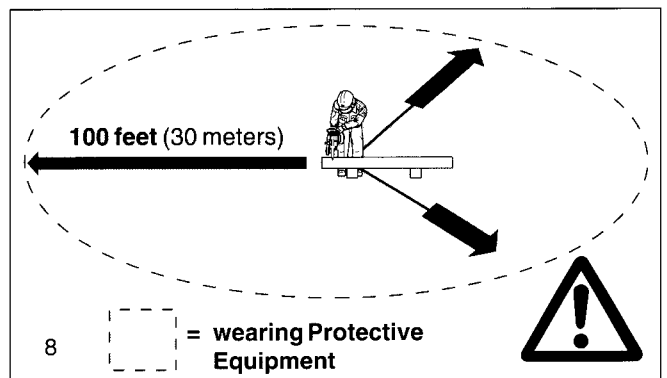
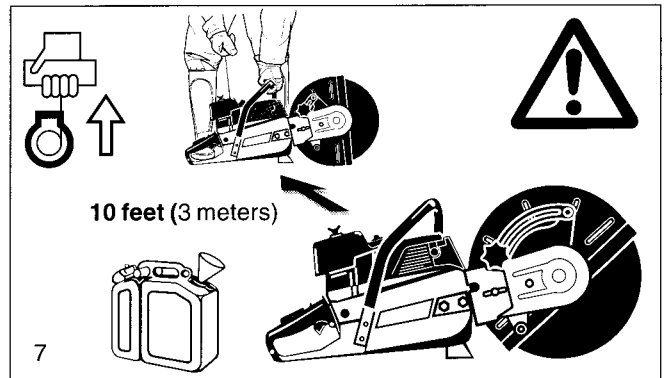
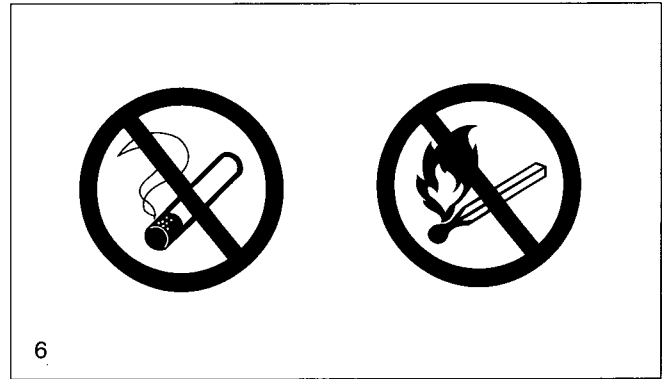
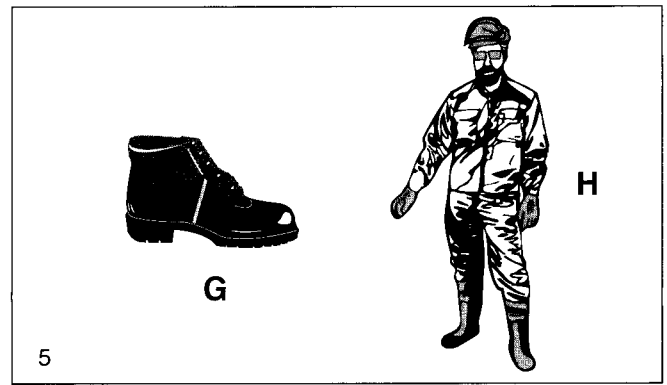
- Always wear **safety shoes or boots (G)** with steel toes, non-skid soles, and leg protectors when working with the Power Cut. Safety shoes equipped with a protective layer provide protection against cuts and ensure a secure footing.
- Always wear a **work suit (H)** of sturdy material.

Fuels/Refuelling

- Go to a safe place before refuelling. **Never refuel while on scaffolding, on heaps of material, or in similar places!**
- Stop the engine before refuelling the Power Cut.
- Do not smoke or work near open fires (6).
- Let the engine cool down before refuelling.
- Fuels can contain substances similar to solvents. Eyes and skin should not come in contact with mineral oil products. Always wear protective gloves when refuelling (not the regular work gloves!). Frequently clean and change protective clothes. Do not breathe in fuel vapors.
- Do not spill fuel. If a spill occurs, clean off the Power Cut immediately. Fuel should not come in contact with clothes. If your clothes have come in contact with fuel, change them at once.
- Ensure that no fuel or chain oil oozes into the soil (environmental protection). Use an appropriate base.
- Refuelling is not allowed in closed rooms. Fuel vapors will accumulate near the floor (explosion hazard).
- Ensure to firmly tighten the screw plug of the fuel tank.
- Before starting the engine, move to a location at least 10 feet (3 meters) from where you fuelled the Power Cut (7), but not within the extended swing range of the cutting disc (direction of sparks).
- Fuel cannot be stored for an unlimited period of time. Buy only as much as will be consumed in the near future.
- When making up the gasoline/oil mixture, always put the oil in the mixing container first, and then the gasoline.
- Use only approved and marked containers for the transport and storage of fuel.
- **Keep fuel away from children!**

Putting into operation

- **Do not work on your own. There must be someone around in case of an emergency.**
- Observe all anti-noise regulations when working in residential areas.
- **Never use the Power Cut near inflammable materials or explosive gases! The Power Cut can create sparks leading to fire or explosion!**
- Make sure that all persons within 100 feet (30 meters), such as other workers, are wearing protective gear (see "Protective Equipment") (8). Children and other unauthorized persons must remain more than 100 feet away from the working area. Keep an eye out for animals as well (9).
- **Before starting work the Power Cut must be checked for perfect function and operating safety according to the prescriptions.**
In particular the condition of the cutting disc (cracked, damaged, or bent cutting discs must be replaced immediately), proper mounting of the cutting disc, proper mounting of the V-belt guard, correct V-belt tension, ease of motion of the throttle lever and functioning of the throttle lever lock, clean and dry handles, and functioning of the on/off switch.
- Put the Power Cut only into operation if it is completely assembled. Never use the Power Cut when it is not completely assembled.



Cutoff discs

- **The protection hood must always be on! Change discs only with the engine off!**
- There are two basic types of cutoff discs:
 - For metal (hot cutting)
 - For masonry (cold cutting)

NOTE:

When using diamond cutoff discs, always make sure to observe the "direction of rotation" markings. Diamond discs should be used only for cutting metal.

- Cutoff discs are intended only for radial loading, i.e. for cutting. Never use the side of the disc for grinding (10)!

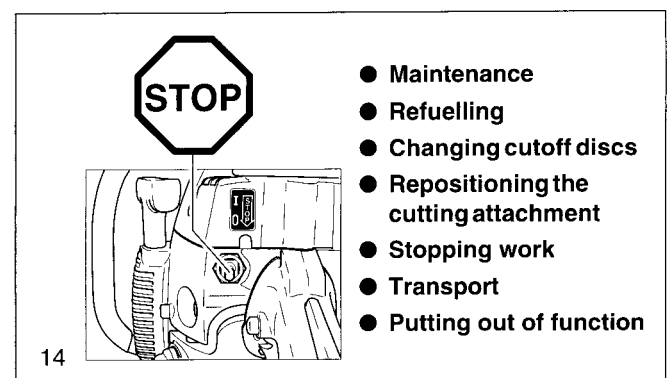
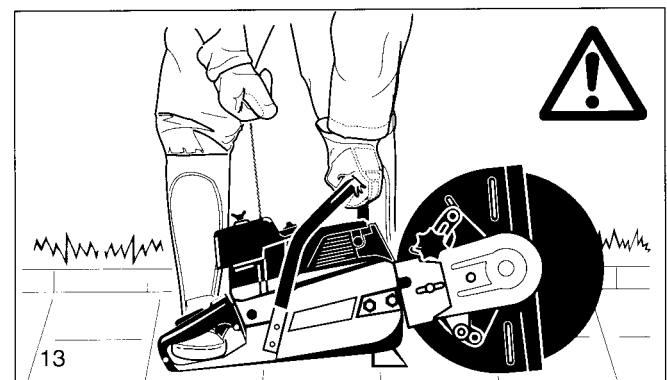
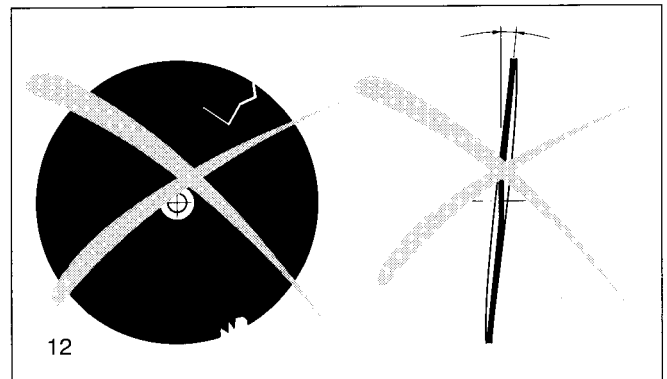
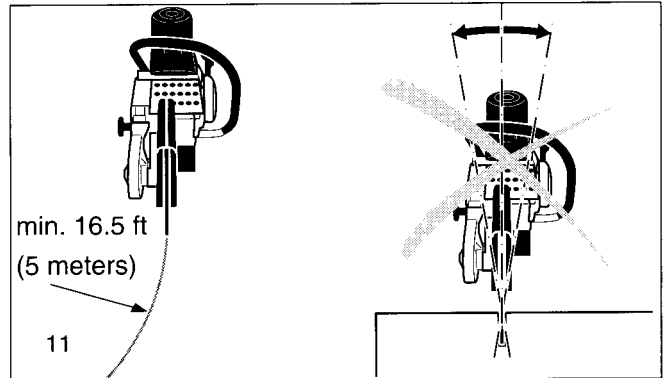
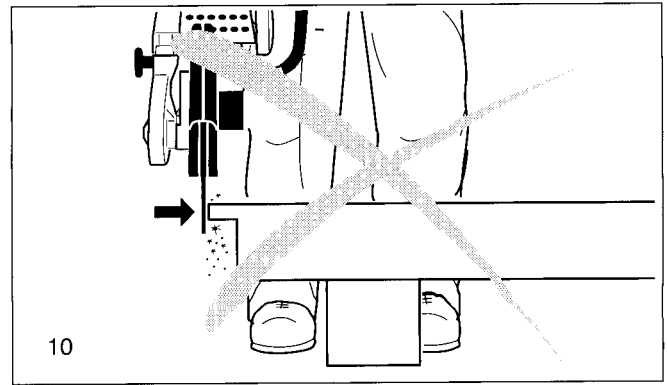
Caution!

Never change direction (turning radius less than 16.5 feet (5 meters), exert lateral (sideways) pressure, or tip the Power Cut during cutting (11)!

- Use a cutting disc only for cutting the materials it is intended for. The proper type of disc must be used, for either metals or masonry.
- The arbour hole (bore) of the cutting disc must fit the shaft exactly. If the arbour hole is larger than the shaft diameter, a spacer ring must be used.
- Use only cutting discs approved by the DSA (German Abrasive Disc Committee) or equivalent organization for freehand cutting at up to 4370 RPM for 14" (350 mm) discs (= 80 m/sec. at circumference) or up to 5100 RPM for 12" (300 mm) discs (= 80 m/sec.).
- The disc must be free of defects (12). Make sure by sound testing with a piece of wood. Do not use defective cutting discs.

Always tighten the cutting disc mounting bolt to a torque of 30 Nm. Otherwise, the cutting disc can twist.

- Before starting the Power Cut, make sure you have a steady footing.
- Put the Power Cut into operation only as described in this owner's manual (13). Place your right foot in the rear handle and grasp the other handle firmly (with thumb and fingers). Other starting methods are not allowed.
- When starting the Power Cut it must be well supported and securely held. The cutting disc must not be touching anything.
- If the cutting disc is new, test it by running it at least 60 seconds at top speed. When doing this, make sure that no persons or body parts are in the extended swing range of the disc, in case it is defective and flies apart.
- **When working with the Power Cut always hold it with both hands.** Take the back handle with the right hand and the tubular handle with the left hand. Hold the handles tightly with your thumbs facing your fingers.
- **CAUTION: When you release the throttle lever the disc will keep spinning for a short period of time (free-wheeling effect).**
- Continuously ensure that you have a safe footing.
- Hold the Power Cut such that you will not breathe in the exhaust gas. Do not work in closed rooms or in deep holes or ditches (danger of poisoning by fumes).
- **Switch off the Power Cut immediately if you observe any changes in its operating behavior.**
- **Always switch the engine off before checking the V-belt tension, tightening the V-belt, changing the cutting disc, repositioning the cutter attachment (side or middle), or doing any work on the Power Cut (14).**
- Turn off the engine immediately and check the disc if you hear or feel any change in cutting behaviour.
- Turn off the Power Cut when taking a break or stopping work (14). Place the unit in such a way that the disc is not touching anything and cannot endanger anyone.
- Do not put the overheated Power Cut in dry grass or on any inflammable objects. The muffler is very hot (danger of fire).
- **IMPORTANT:** After wet cutting, first turn off the water feed and then let the disc run at least 30 seconds, to fling off the remaining water and prevent corrosion.



Kickback and lock-in

- When working with the Power Cut there is a danger of kickback and lock-in.
- Kickback occurs when the top of the cutting disc is used for cutting (15).
- This causes the Power Cut to be thrown back toward the user with great force and out of control. **Risk of injury!**

To prevent kickback, observe the following:

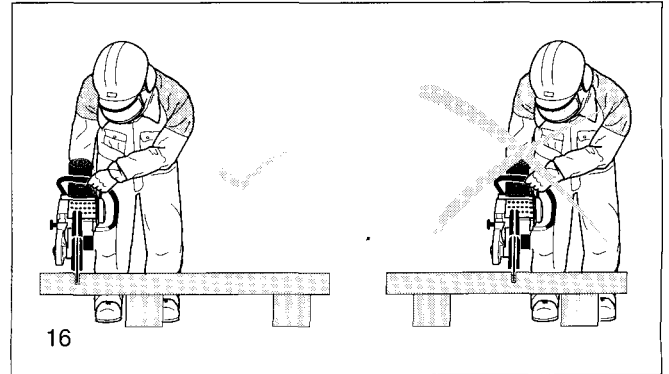
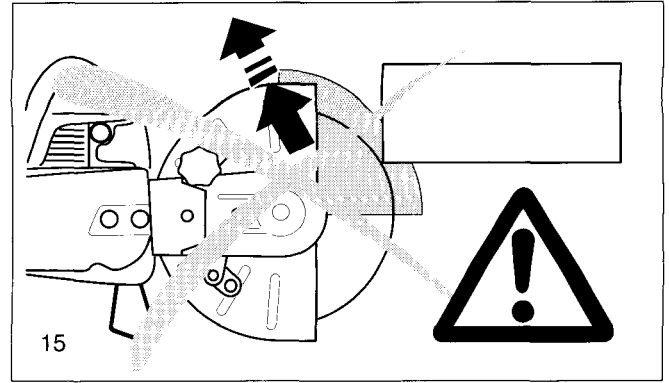
- Never cut with the section of the cutting disc shown in figure 15.

Be especially careful when reinserting the disc into cuts that have already been started!

- Lock-in occurs when the cut narrows (crack, or workpiece under stress).
- This causes the Power Cut to suddenly jump forward, out of control and with great force. **Risk of injury!**

To prevent lock-in, observe the following:

- When reinserting the disc into previous cuts, have the Power Cut running at top speed. Always cut at top speed.
- Always support the workpiece so that the cut is under tension (16), so that the cut does not press together and jam the cutting disc as it proceeds through the material.
- When starting a cut, apply the disc to the workpiece with care. Do not just shove it into the material.
- Never cut more than one piece at a time! When cutting, make sure that no other workpiece comes into contact.

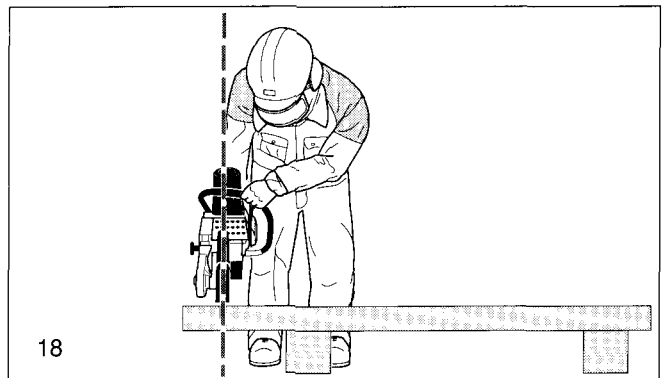
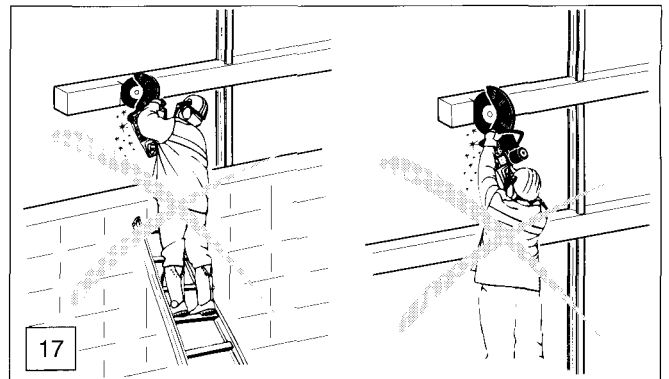


Working behavior / Method of working

- Only use the Power Cut during good light and visibility periods. Be aware of slippery or wet areas, and of ice and snow (risk of slipping).
- Never work on unstable surfaces. Make sure that there are no obstacles in the working area, risk of stumbling. Always ensure that you have a safe footing.
- Never cut above your shoulder height (17).
- Never stand on a ladder to cut (17).
- Never use the Power Cut while standing on scaffolding.
- Do not lean over too far when working. When putting down and picking up the Power Cut, do not bend over from the waist, but instead bend in the knees. Save your back!
- Guide the Power Cut in such a way that no part of your body is within the extended swing range of the disc (18).
- Use cutting discs only for the materials for which they are designed!
- Use cutting discs only for the materials for which they are designed. Do not use the Power Cut to lift up and shovel away pieces of material and other objects.

Important! Before cutting, remove all foreign objects, such as rocks, gravel, nails etc. from the cutting area. Otherwise, such objects can be flung away by the disc with great speed. **Injury hazard!**

- When cutting workpieces down to length use a firm support. If necessary, secure the workpiece from slipping, but do not steady it with your foot or allow another person to hold it.
- When cutting round items, always secure them against rotation.
- When guiding the Power Cut by hand, use the side mounting position of the cutter attachment only when actually necessary. Otherwise, always use the central position. This gives the unit a better balance, for reduced operator fatigue.



Cutting metals

IMPORTANT!

Always wear approved respiratory protection!

Materials that can release toxic substances may be cut only after notifying the proper authorities and under their supervision or that of a person appointed by them.

CAUTION!

The rapid rotation of the cutting disc heats metal and melts it at the point of contact. Swing the guard as far down as possible behind the cut (19) in order to direct the stream of sparks forward, away from the operator (fire hazard).

- Determine the direction of cutting, mark the cut and apply the disc to the material at moderate speed, to cut a guide groove before going to top speed and applying more pressure to the Power Cut.
- Keep the disc straight and vertical. Do not tip it, as this can break it.
- The best way to get a good, clean cut is to pull or move the Power Cut back and forth. Do not simply press the disc into the material.
- Thick round stock is best cut in stages (20).
- Thin tubing and pipes can be cut with a simple downward cut.
- Cut large-diameter pipes as for round stock. To prevent tipping and for better control, do not let the disc sink too deeply into the material. Instead, always cut shallow around the whole piece.
- Worn discs have a smaller diameter than new discs, so that at the same engine speed they have a lower effective circumferential speed and therefore do not cut as well.
- Cut I-beams and L-bars in steps; see Figure 21.
- Cut bands and plates like pipes: along the wide side with a long cut.
- When cutting material under stress (supported material or material in structures), always make a notch in the thrust (pressure) side, and then cut from the tension side, so that the disc does not lock in (22).

CAUTION!

If there is a chance that the material is under stress, be prepared for it to kick back. Make sure you can get out of the way if you have to!

Be particularly careful in scrap-metal yards, junkyards, at accident sites, and with haphazard piles of material. Precariously balanced pieces or pieces under stress can act in unpredictable ways, and may slide, jump out, or burst. Always exercise extreme caution and use only equipment that is in perfect working order.

Observe the accident-prevention rules and regulations of your employer and/or insurance organization.

Cutting masonry and concrete

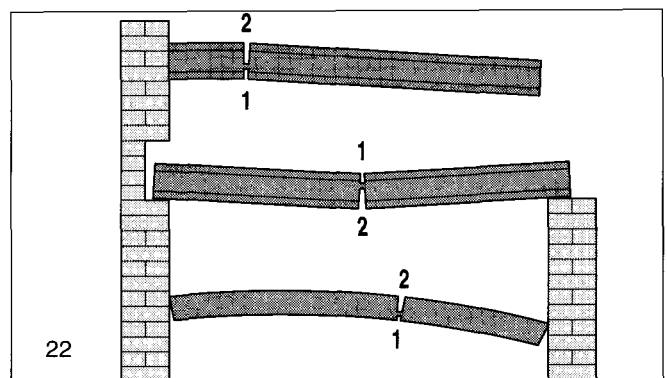
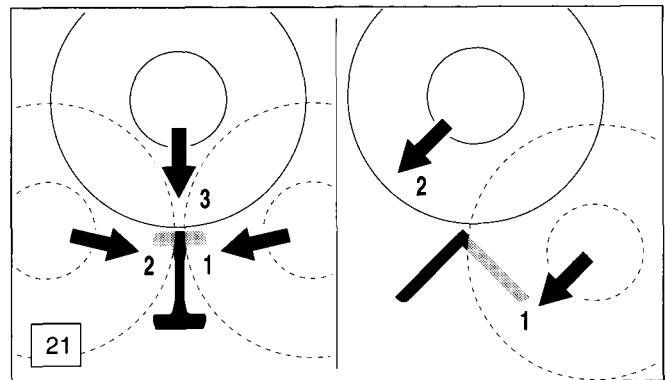
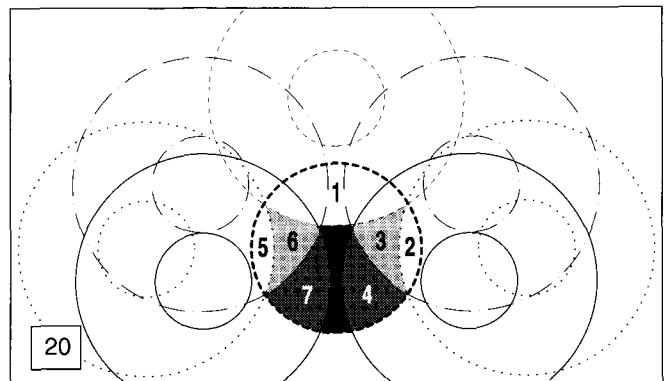
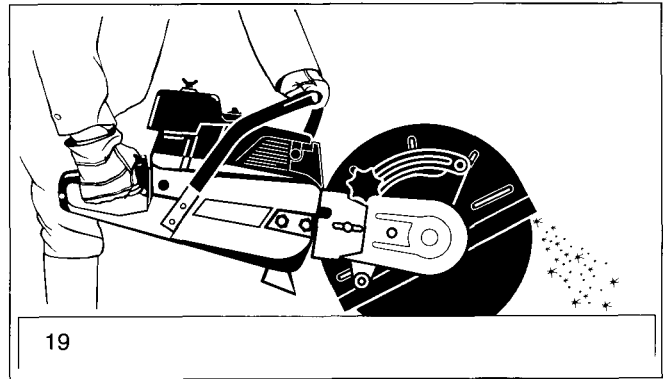
IMPORTANT!

Always wear approved respiratory protection!

Asbestos and other materials that can release toxic substances may be cut only after notifying the proper authorities and under their supervision or that of a person appointed by them. When cutting prestressed and reinforced concrete piles, follow the instructions and standards of the responsible authorities or the builder of the structural member. Reinforcement rods must be cut in the prescribed sequence and in accordance with applicable safety regulations.

NOTE:

Mortar, stone, and concrete develop large quantities of dust during cutting. To increase the lifetime of the cutting disc (by cooling), to improve visibility, and to avoid excessive dust creation, we strongly recommend wet cutting instead of dry cutting.



In wet cutting, the disc is wetted at an equal rate on both sides by a trickle of water. MAKITA offers the right accessories for all wet cutting applications (see also "SPECIAL ACCESSORIES").

- Remove foreign objects such as sand, stones and nails found within the working area.

The rapid rotation of the cutting disc at the point of contact throws fragments out of the cut groove at high speed. For your safety, swing the protection hood down as far as possible behind the cut (23), so that material fragments are thrown forward, away from the operator.

- Mark the cut, and then make a groove about 5 mm (just under 1/5") along the entire length of the planned cut. This groove will then guide the Power Cut accurately during the actual cutoff.

NOTE:

For long, straight cuts we recommend using a trolley (24, see also "SPECIAL ACCESSORIES"). This makes it much easier to guide the unit straight.

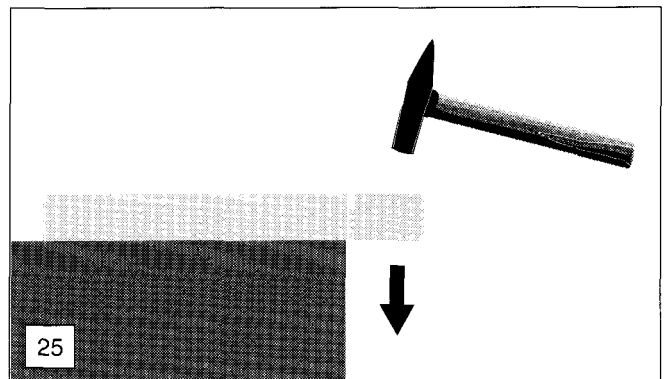
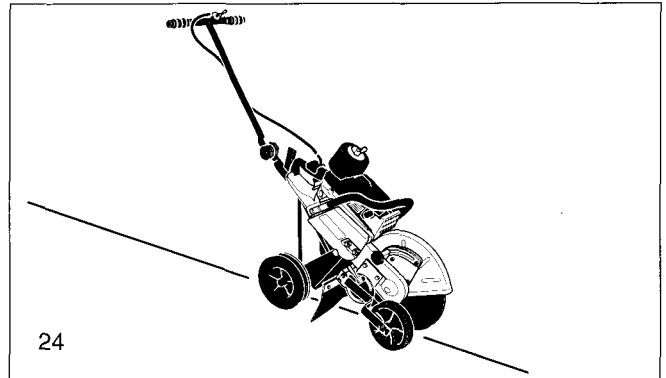
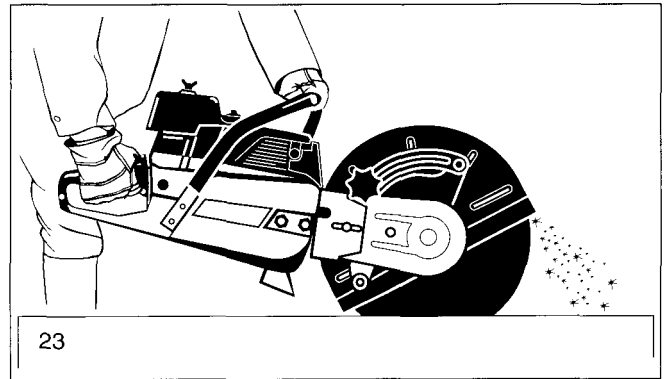
- Perform the cut with a steady back-and-forth motion.
- When cutting slabs to size, you need not cut through the entire material thickness (creating unnecessary dust). Instead, simply make a shallow groove, and then knock off the excess material cleanly on a flat surface (25).

CAREFUL!

When cutting into lengths, cutting through material, making cut-outs, etc., always make sure to plan the direction and sequence of cuts in such a way that the disc does not get jammed by the cut-off piece, and that no persons can be injured by falling pieces.

Transport and storage

- **Always turn off the Power Cut when transporting it or moving it from place to place on a site (26).**
- **Never carry or move the unit with the engine on or the disc moving!**
- Carry the unit only by the tubular (middle) handle with the cutting disc pointing behind you (26). Avoid touching the exhaust muffler (burn hazard!)
- When moving the Power Cut over longer distances, use a wheelbarrow or wagon. Avoid carrying the unit if possible.
- When transporting the Power Cut in a vehicle, make sure it is securely positioned in such a way that no fuel can leak out. Always remove the cutting disc before transporting the unit in a vehicle.
- The Power Cut should be stored safely in a dry place. It must not be left outdoors! Always dismantle the cutting disc before storage.
- **Before long-term storage and before shipping the Power Cut, follow the instructions in the chapter on "Periodic care and maintenance". ALWAYS empty the fuel tank and run the carburetor dry.**
- When putting cutting discs in storage, be careful to:
 - Clean and dry them well.
 - Store them lying down flat.
 - Avoid dampness, moisture, high temperatures, and drastic temperature fluctuations.
- **Always check new cutting discs or cutting discs that have been in storage to make sure that they are free of defects.**



Maintenance

- **Before performing maintenance work switch off the Power Cut (27) and pull out the plug cap.**
- Always check the Power Cut before using it to make sure that it is in good working order. In particular, make sure that the cutting disc is properly mounted.
- Operate the Power Cut only at a low noise and emission level. For this ensure the carburetor is adjusted correctly.
- Clean the Power Cut regularly.
- Check the fuel tank cap regularly for good sealing.

Observe the accident prevention instructions issued by trade associations and insurance companies. NEVER make any modifications to the Power Cut! You will only be putting your own safety at risk!

Perform only the maintenance and repair works described in the owner's manual. All other work must be carried out by MAKITA Service.

Use only original MAKITA spares and accessories.

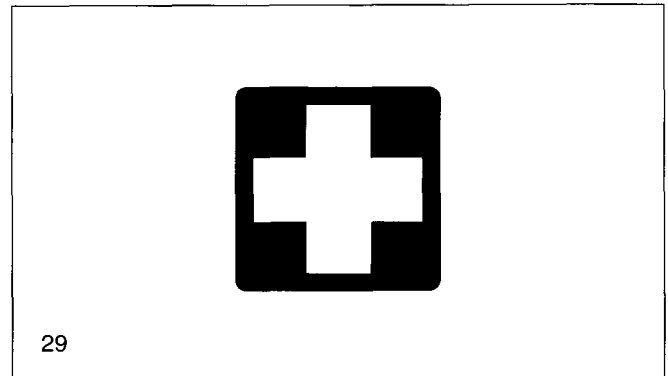
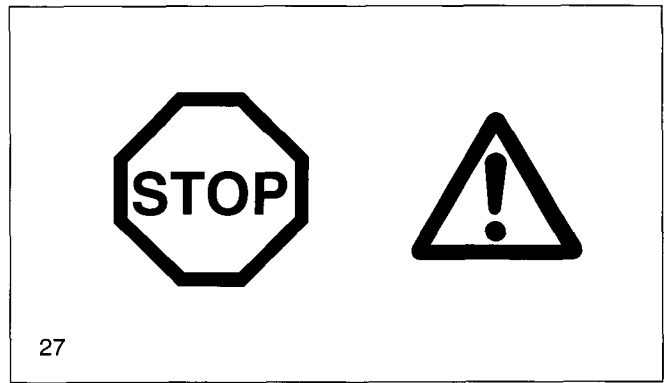
The use of non-MAKITA spares, accessories, or cutting discs increases the risk of accident. We cannot accept any responsibility for accidents or damage occurring in association with the use of cutting discs or accessories other than original MAKITA.

First aid

For the event of a possible accident, please make sure that a first aid kit is always immediately available close by. Immediately replace any items used from the first aid box.

When calling for help, give the following information:

- Place of the accident
- What happened
- Number of injured people
- Kind of injuries
- Your name!



Technical data

		DPC 7000, DPC 7001	DPC 9500, DPC 9501
Stroke volume	cu. in	4.3	5.8
Bore	in	1.85	2.16
Stroke	in	1.57	1.57
Max. power	kW	3.5	5.0
Max. torque	Nm	4.5	6.2
Idling speed	rpm	2,300	2,300
Coupling speed	rpm	3,400	3,400
Cutoff speed	rpm	8,000	8,000
Carburetor (diaphragm carburetor)	Type	TILLOTSON HS 239 C	TILLOTSON HS 239 C
Ignition system (with speed limitation)	Type	electronic	electronic
Spark plug	Type	BOSCH WSR 6F	BOSCH WSR 6F
Electrode gap	in	.020	.020
Fuel consumption at max. load	kg/h	1.5	2.1
Specific consumption at max. load	g/kWh	450	450
Fuel tank capacity	oz	27	27
Mixture ratio (fuel/two-stroke oil)			
- when using MAKITA oil		50:1	50:1
- when using other oils		25:1	25:1
Cutting disc for 80 m/sec. ¹⁾ (DSA approved)	in	12 / 0.79 / 0.12 ²⁾	14 / 1 / 0.18 ²⁾
V-belt	Type	XPZ 765	XPZ 867
Overall weight (tanks empty, cutting disc mounted)	lbs	26.2	29.1

¹⁾ Circumference speed at max. engine speed

²⁾ Outside diameter / arbor hole / thickness

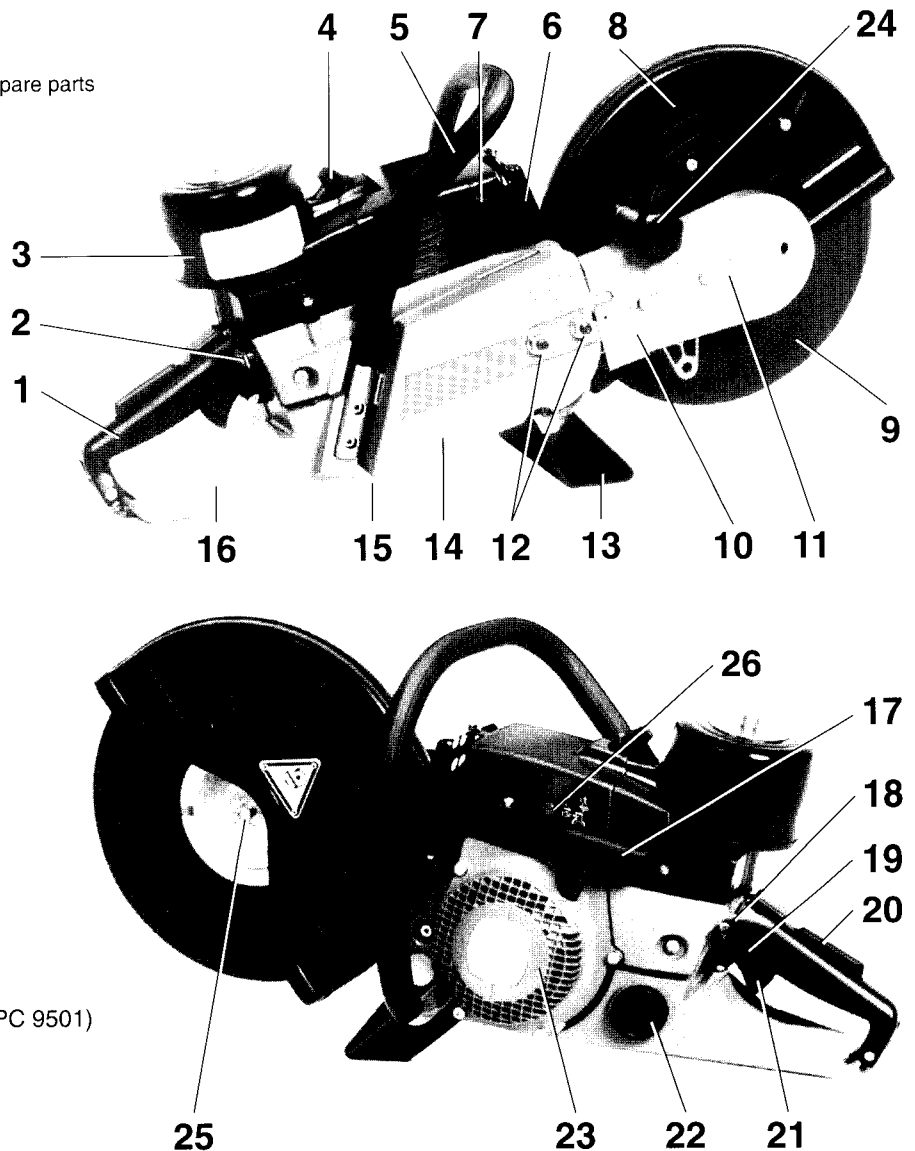
Denomination of components



Identification plate (15)

Indicate when ordering spare parts

- 1 Handle
- 2 Choke
- 3 Air-filter hood
- 4 Spark plug cap
- 5 Tubular handle
- 6 Burn guard
- 7 Muffler
- 8 Protection hood
- 9 Cutting disc
- 10 Hand guard
- 11 Drive arm
- 12 Retaining nuts
- 13 Base
- 14 Sprocket guard
- 15 Identification plate
- 16 Fuel tank with handle
- 17 Starter grip
- 18 I/STOP-switch
- 19 Stop knob for halfway throttle
- 20 Safety locking button
- 21 Throttle lever
- 22 Fuel tank plug
- 23 Fan housing with starting assembly
- 24 Hood adjustment
- 25 Disc bolt
- 26 Starting valve (only DPC 7001 and DPC 9501)



PUTTING INTO OPERATION

Installing the drive arm and mounting the cutting disc

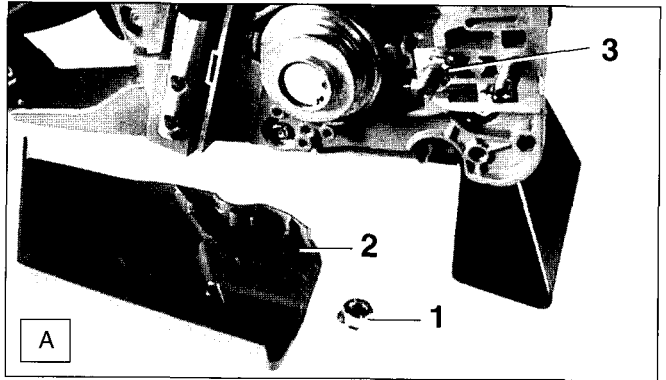


CAUTION: Always turn off the engine before doing any work on the drive arm or cutting disc. Pull the plug cap off the spark plug. Wear protective gloves!

CAUTION: Completely reassemble the Power Cut before starting the engine!

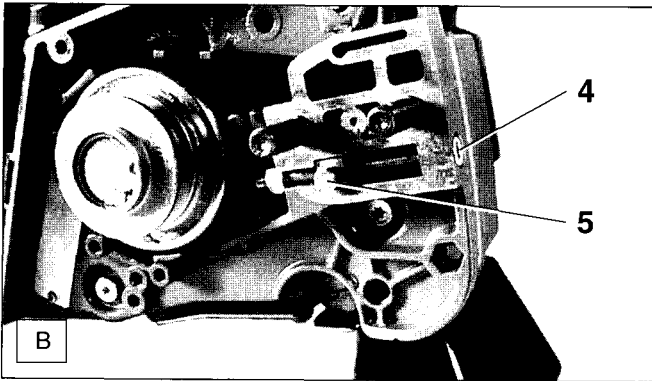
Use the assembly tool delivered with the Power Cut (see page 6) for the following works.

Place the Power Cut on a stable surface and follow these steps to install the drive arm and protection hood:

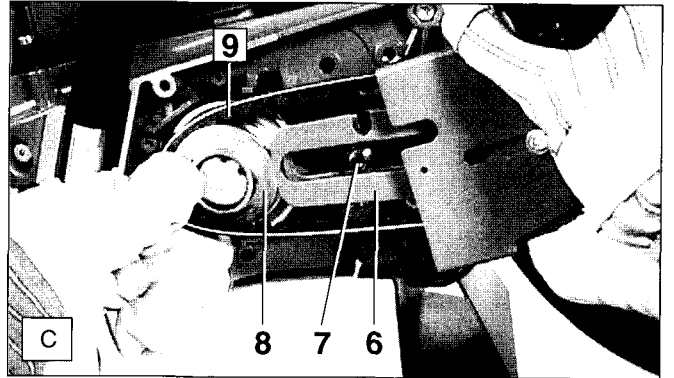


- Unscrew retaining nut (A/1).
- Take off the sprocket guard (A/2) and unscrew the second retaining nut (A/3).

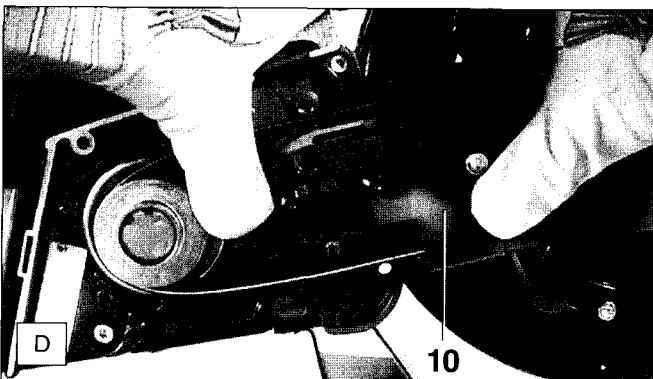
NOTE: The second retaining nut (A/3) protects against shipping damage. It is located underneath the sprocket guard on the same threaded pin as the first retaining nut.



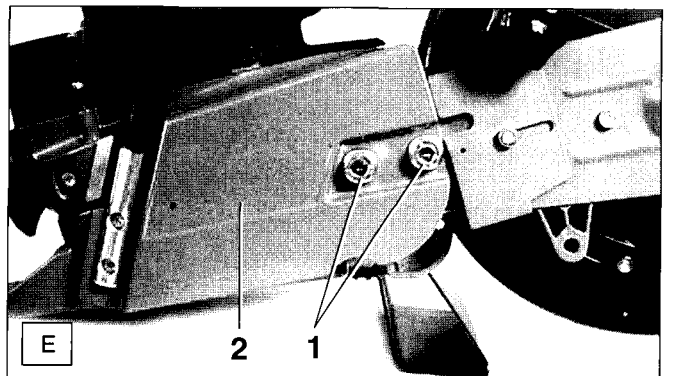
- Turn the tightening screw (B/4) to the left (counter-clockwise) until the pin (B/5) is at the left stop.



- Place the drive arm (C/6) over the two threaded pins (C/7) and press towards the V-belt wheel (C/8).
- Pull the V-belt (C/9) over the V-belt wheel.

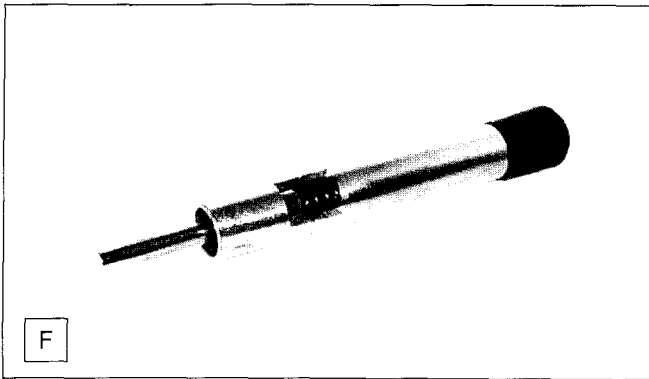


- Pull the hand guard (D/10) all the way forward and hold as shown in Fig. D.
- Press the drive arm onto the housing with both hands. Make sure that the pin (B/5) fits into the space in the drive arm.



- While continuing to hold the hand guard, put on the sprocket guard (E/2).
- Screw on the retaining nuts (E/1) hand-tight.

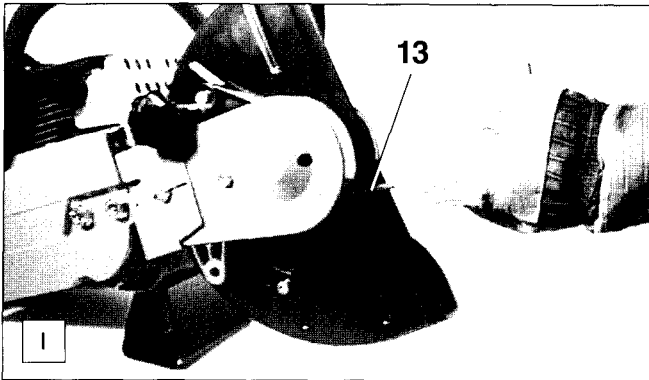
Tightening the V-Belt



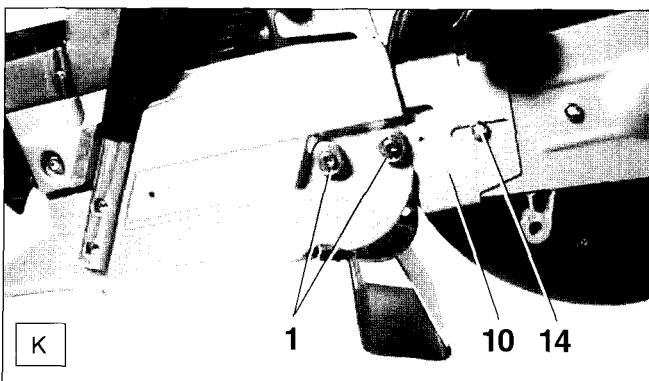
IMPORTANT:

Exact V-belt tension is essential for maximum cutting performance with minimum fuel consumption. Improper V-belt tension will result in premature wear to the V-belt and V-belt wheel or damage to the clutch bearing.

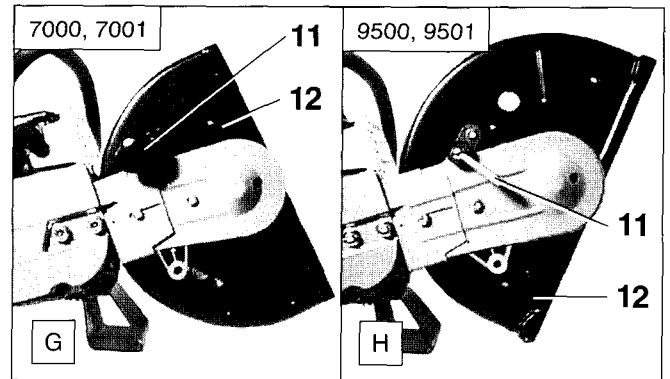
Accurate adjustment of the V-belt tension requires the tension gauge shown in Fig. F. See under "Accessories" for the order number.



- To tighten the V-belt, turn the tightening screw (B/4) to the right (clockwise) with the Allen key (I/13) included with the Power Cut.

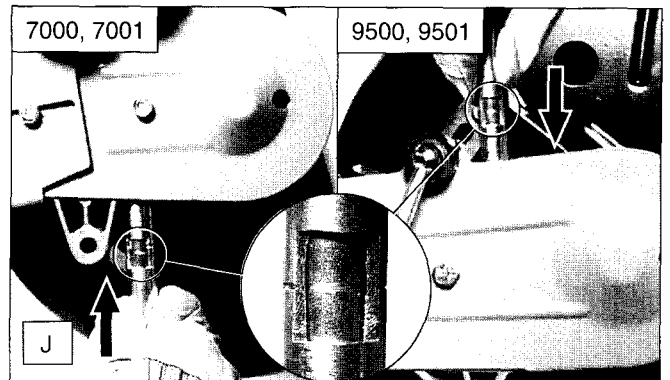


- Tighten the retaining nuts (K/1) with the assembly tool.
- Push the hand guard (K/10) towards the sprocket guard and tighten screw (K/14).



IMPORTANT: Before tightening the V-belt, always loosen the two retaining nuts (E/1)!

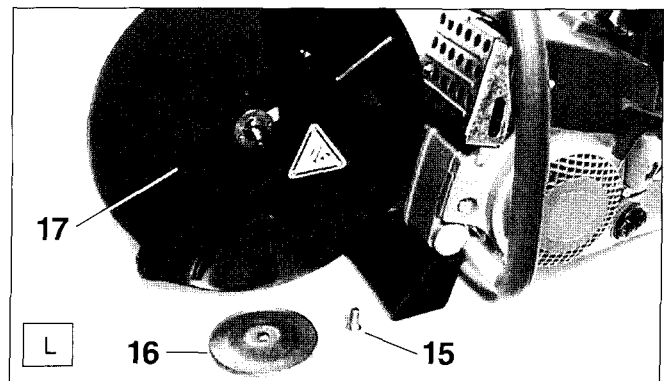
- Turn the knob (G/11) (Model 7000, 7001) or the tightening toggle (H/11) (Model 9500, 9501) to the left (counter-clockwise) until loose.
- Push the protection hood (G/12 or H/12) all the way to the rear (see figure).



- Insert the tension gauge in the hole on the drive arm (cutter attachment in central position: for Model 7000, 7001 hole on bottom, for Model 9500, 9501 on top of drive arm) and press in all the way.
- The V-belt is correctly tightened if the mark in the viewing hole of the gauge is at the same height as the marks on the outside of the gauge (see Fig. J, closeup).

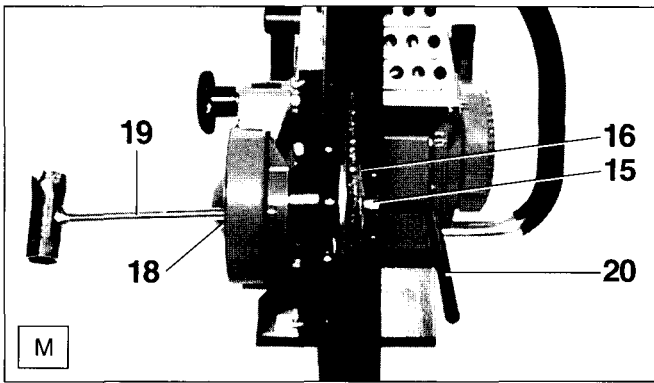
Mounting the cutting disc

Inspect the disc for damage.
See SAFETY INSTRUCTIONS, Page 6.



- Unscrew the Allen screw (L/15) by turning it to the right (clockwise), and remove the pressure disc (L/16).
- Fit the cutting disc (L/17) onto the shaft.

CAUTION: When using a diamond cutting disc be sure to mount it so that it rotates in the proper direction!



NOTE: Tighten the Allen screw tightly. If this is not done, the cutting disc can slip during cutting.

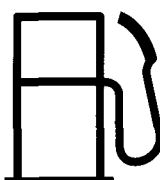
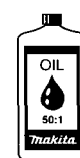
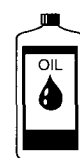
- Fit the pressure disc (M/16) on the shaft, observing the flattened side of the shaft.

NOTE: The arbor hole of the pressure disc is shaped to fit the shaft. When putting the pressure disc on the shaft, turn it slightly until it fits.

- Screw in the Allen screw (M/15) by turning it to the left (counter-clockwise - left-hand thread!) and tighten by hand.
- Slowly turn the cutting disc until the stop hole of the V-belt wheel is visible in the drive-arm hole (M/18).
- Push the assembly tool (M/19) all the way into the stop hole of the V-belt wheel. The shaft is now blocked.
- Tighten the Allen screw with the Allen key (M/20).

Fuels / Refuelling



Gasoline	50:1 MAKITA oil	25:1 other oil
		
1.0 Us-gal. (3.7 l)	2.5 floz. (75 cm ³)	5.0 floz. (150 cm ³)
2.5 Us-gal. (9.4 l)	6.4 floz. (189 cm ³)	12.8 floz. (378 cm ³)
5.0 Us-gal. (18.9 l)	12.8 floz. (378 cm ³)	25.6 floz. (756 cm ³)

Fuel mixture

The Power Cut is powered by a high-performance two-stroke engine. It runs on a mixture of gasoline and two-stroke engine oil.

The engine is designed for unleaded regular gasoline with a min. octane value of 91 ROZ. In case no such fuel is available, you can use fuel with a higher octane value. This will not affect the engine.

In order to obtain an optimum engine output and to protect your health and the environment use unleaded fuel only. Gasoline which contains alcohol should not be used in MAKITA products.

For lubricating the engine use a two-stroke engine oil (quality grade: TC-3), which is added to the fuel. The engine has been designed for use of MAKITA high-performance two-stroke engine oil and a mixture ratio of only 50:1 to protect the environment. In addition, a long service life and reliable operation with a minimum emission of exhaust gases are ensured.

MAKITA high-performance two-stroke engine oil is available in the following sizes to suit your individual requirements:

1 l	order number 980 008 607
100 ml	order number 980 008 606

In case MAKITA high-performance two-stroke engine oil is not available, it is urgently recommended to use a mixture ratio of 25:1, as otherwise optimum operation of the engine cannot be guaranteed.

The correct mixture ratio:

50:1 when using MAKITA high-performance two-stroke engine oil, i. e. mix 50 parts gasoline with 1 part oil.

25:1 when using other two-stroke engine oils, i. e. mix 25 parts gasoline with 1 part oil.

NOTE:

For preparing the fuel-oil mixture first mix the entire oil quantity with half of the fuel required, then add the remaining fuel. Thoroughly shake the mixture before filling it into the Power Cut tank.

It is not wise to add more engine oil than specified to ensure safe operation. This will only result in a higher production of combustion residues which will pollute the environment and clog the exhaust channel in the cylinder as well as the muffler. In addition, fuel consumption will rise and performance will decrease.

Fuel storage

Fuels have only a limited shelf-life. Buy only as much as you will use in 4 weeks.

Store fuel only in approved and marked containers.

AVOID SKIN AND EYE CONTACT



Mineral oil products degrease your skin. If your skin comes in contact with these substances repeatedly and for an extended period of time, it will desiccate. Various skin diseases may result. In addition, allergic reactions are known to occur. Eyes can be irritated by contact with oil. If oil comes into your eyes, immediately wash them with clear water. If your eyes are still irritated, see a doctor immediately!

Refuelling



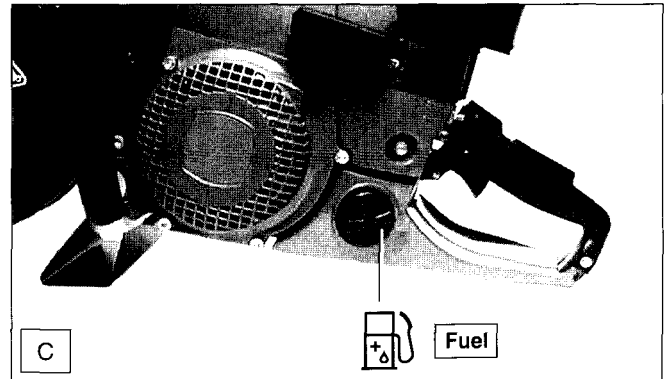
FOLLOW THE SAFETY PRECAUTIONS!

Be careful and cautious when handling fuels.

The engine must be switched off!

- Carefully clean the area around the fuel-tank filler neck to keep dirt from getting in the tank.
- Place the unit on its side on an even surface.
- Unscrew the tank cap and fill tank with fuel mixture. Take care to avoid spilling.
- Tightly screw on the plug.

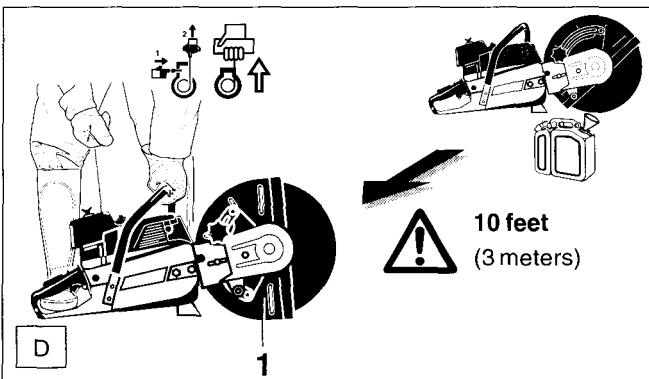
Clean screw plug and tank after refuelling.



Starting the engine

To make it easier to start, the DPC 7001 and DPC 9501 are equipped with a semi-automatic starting valve (E/6). Pushing this valve in reduces the amount of compression effort needed, so that it is easier to bring the engine up to starting speed when pulling the starter cable. The high pressure increase in the combustion chamber that results from the first ignitions will automatically close the starting valve (button pops back out).

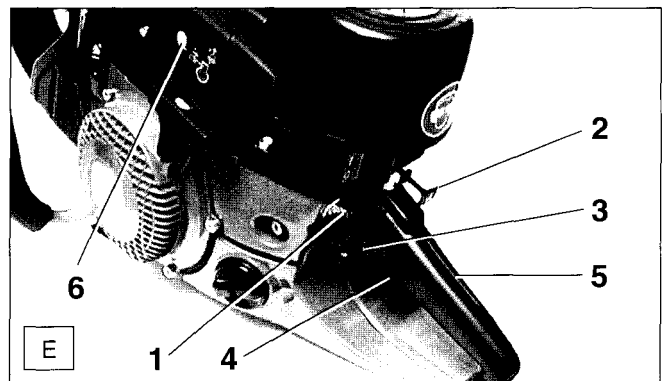
Models DPC 7000 and DPC 9500 do not have a starting valve. Starting and carburetor adjustment are as for models DPC 7001 and DPC 9501 except without the instruction "Push the starting valve".



CAUTION: Observe the SAFETY INSTRUCTIONS on page 29! Completely reassemble the Power Cut before starting the engine!

- Move at least 10 feet (3 meters) away from the place where you fuelled the Power Cut.
- Make sure you have a good footing, and place the Power Cut on the ground in such a way that the cutting disc is not touching anything.
- Swing the protection hood (D/1) all the way back and tighten the knob (7000, 7001) or tightening toggle (9500, 9501) firmly.

Cold-starting



- Put the short-circuit ignition switch in the "I" position (E/1).
- Pull out the choke (E/2).
- Grasp handle (hand pressure actuates the grip throttle lever lock (E/5)).
- Depress the half-throttle lock button (E/3) and hold.
- Press the throttle (E/4) all the way and release (throttle will be held at half-throttle by the lock button (E/3)).

NOTE: If the Power Cut is installed in the trolley, the control lever should be in the second arrest position.

- Push the starting valve (E/6) (only DPC 7001 and DPC 9501).
- Grasp the tubular handle firmly with one hand and press the Power Cut against the ground (Fig. D).
- Put the toe of your right foot in the rear handle (Fig. D).
- Slowly pull out the starter cable until you notice resistance (the piston is positioned before the top dead centre).
- Now pull the starter cable with a fast and forceful movement until you hear the first ignition.

CAUTION: Do not pull out the starter cable more than approx. 19.5" (50 cm), and lead it back by hand.

- Push the choke (E/2) back in.
- Push the starting valve (E/6) (only DPC 7001 and DPC 9501).
- Keep pulling the starter cable until the engine catches.
- As soon as the engine is running, press the throttle (E/4) to release the half-throttle lock (E/3), allowing the engine to idle.

Warm-starting

- As described above for cold starting, but without using the choke (E/2). Keep the choke in.

If the engine won't start

If the engine refuses to start even after a number of tries, check the spark plug (see the section on "Replacing the spark plug").

Stopping the engine

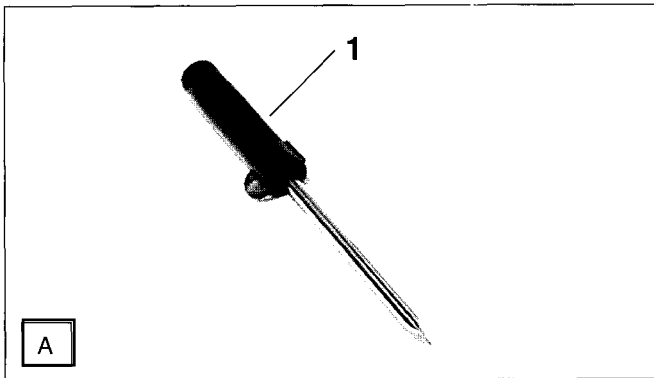
- Put the short-circuiting switch (E/1) in position "O" (STOP).

Adjusting the carburetor

NOTE:

The grinding parts are equipped with an electronic ignition to limit the speed. The carburetor also has a fixed jet which cannot be adjusted.

At the factory the idling speed has been set to approx. 2,300 1/min., but the running-in process of a new engine may require slight readjustment of the idling speed.



Set the idling speed with a screwdriver (width of blade: 4 mm). The screwdriver shown (A/1) (order number 944 340 001) has a molded-on lug to assist in adjustment.

For correct adjustment of the idling speed the following steps must be carried out:

1. **Start the engine and run it until it is warm** (about 3 - 5 minutes).



2. **Switch off the engine.**

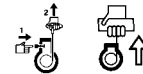


3. **Remove the cover with the air filter.**

- Unscrew the two screws (B/2) to the left and right on the cover (B/3).

CAREFUL! This exposes the carburetor intake! Dust or dirt particles that get into the carburetor can ruin the engine! Make sure your clothing is free of dust and dirt particles, your tools are clean, and the working area is clean. Do not lay a cloth or similar material on the carburetor intake opening!

4. **Start the engine**



5. **Readjust the idling speed.**

- If the cut-off disc is still turning when the engine is running, unscrew the adjusting screw of the throttle valve (C/4) until the cut-off disc is no longer turning. When the engine is left running at idling speed, loosen the screw a little.

- Now the acceleration from idling speed to maximum speed must be tested by abruptly operating the throttle lever. If the acceleration is too slow, the idling speed jet screw (C/5) must be loosened slightly (max. 1/8 of a revolution) and the throttle valve adjusting screw (C/4) tightened slightly.

If the engine cannot be adjusted as described under point 5, a basic adjustment must be carried out with the engine switched off.

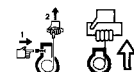
6. **Basic adjustment**



- Carefully screw the idling speed jet screw (C/5) to the right (in a clockwise direction) until it comes to a noticeable stop.

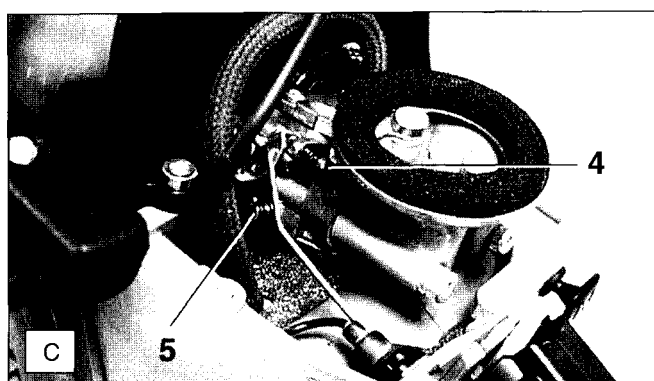
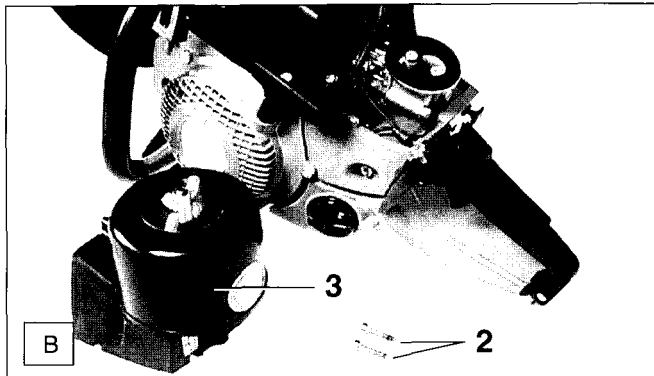
- Now unscrew the adjusting screw approx. 1 1/8 of a revolution to the left (in an anti-clockwise direction).

- Start the engine.



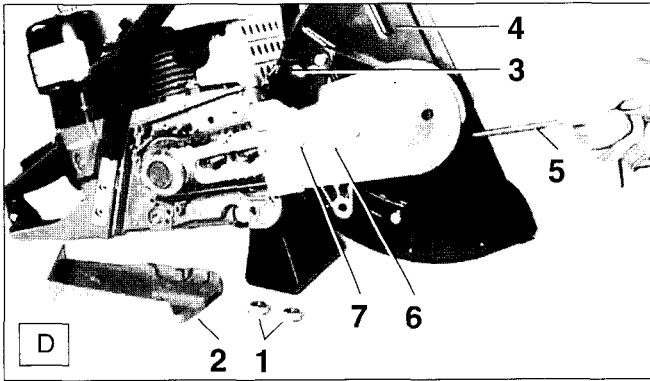
- The idling speed and the acceleration can be corrected by turning the idling speed jet screw (C/5). Turn in the screw to speed up, and turn out the screw to speed down the engine.

After adjusting the carburetor it is absolutely essential to replace the cover with the air filter (B/4).

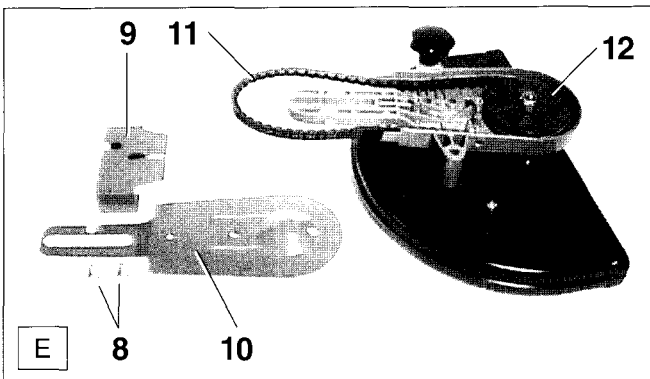


MAINTENANCE

Changing the V-belt

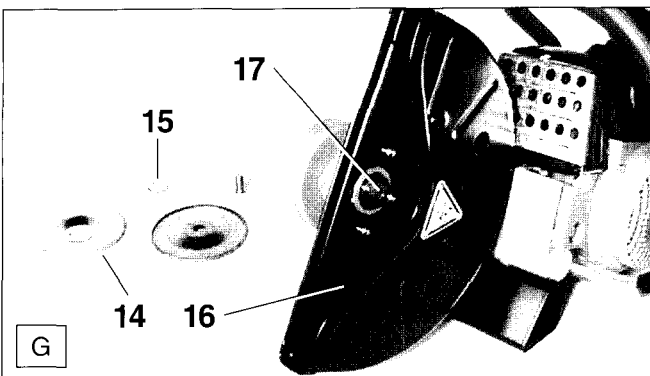


- Remove the cutting disc (see also "Cleaning the protective hood").
- Loosen the knob (model 7000, 7001) or tightening toggle (model 9500, 9501) (D/3) somewhat and swing the protective hood (D/4) all the way back.
- Loosen the retaining nuts (D/1) and screw (D/7) somewhat.
- Loosen the tightening screw by turning it 2-3 turns to the left (counter-clockwise) using the Allen key (D/5) supplied with the Power Cut. This reduces the V-belt tension.
- Remove the retaining nuts (D/1) and sprocket guard (D/2).
- Turn the tightening screw to the left (counter-clockwise) all the way.
- Remove the cutter attachment (D/6).



- Loosen and unscrew screws (E/8).
- Pull off the hand guard (E/9) and remove the guard plate (E/10) from the drive arm.
- Remove the old V-belt or V-belt pieces. Clean out the inside of the drive arm with a brush.
- Fit a new V-belt (E/11) around the V-belt wheel (E/12) and into the drive arm.

Cleaning the protection hood



CAUTION: Before doing any work on the Power Cut turn off the engine, remove the cutting disc, pull the plug cap off the spark plug and wear protective gloves!

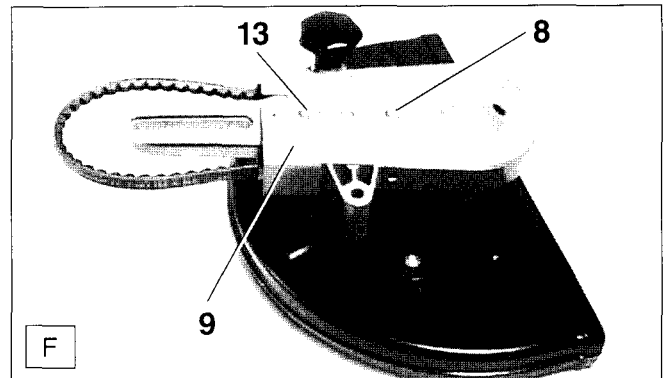
CAUTION: Completely reassemble the Power Cut before starting the engine!

IMPORTANT:

Because many of the parts and assemblies not mentioned in this Owner's Manual are vital to the safety of the unit, and because all parts are subject to a certain amount of wear and tear, it is important for your own safety that you have the unit checked and maintained regularly by a MAKITA service center.



SERVICE

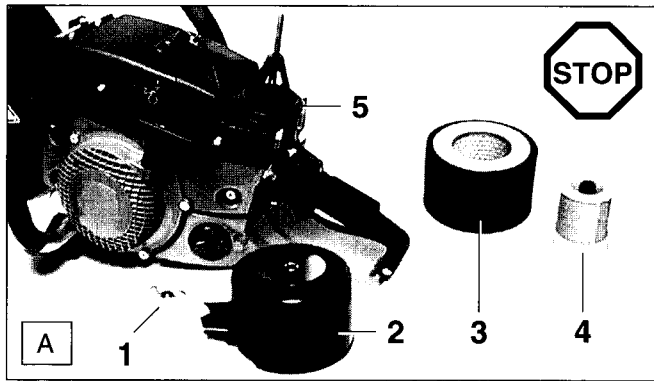


- Fit on the guard plate and attach with screw (F/8).
- Push the hand guard (F/9) all the way onto the drive arm and tighten screw (F/13) hand-tight.
- To install the drive arm and tighten the V-belt, see "Installing the Drive Arm and Mounting the Cutting Disc" and "Tightening the V-Belt".

Over time, the inside of the protective hood can become caked with material residue (especially from wet cutting), which if allowed to accumulate can hinder the free rotation of the cutting disc. For this reason the hood must be cleaned out from time to time.

- Remove the cutting disc and the second pressure disc (G/14) (on Model 9500, 9501 there is an adapter ring (G/15) before the pressure disc).
- Clean out residue from the interior of the hood (G/16) using a strip of wood or similar object
- Clean the shaft (G/17) and all disassembled parts with a cloth.

Cleaning / changing the air filter



- Pull out the choke, in order to prevent any dirt particles that may have fallen in from getting into the carburetor.
- Unscrew the wing-nut (A/1) and take off the air filter hood (A/2).
- Carefully pull the paper cartridge with foam prefilter (A/3) up and off.
- Clean the O-ring (A/5) and the area around it with a brush, then carefully take off the inner filter (A/4).

CAREFUL:

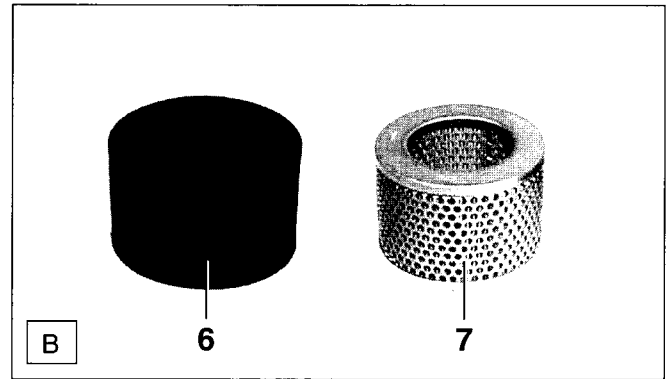
Cover the intake opening with a clean cloth to prevent dirt particles from getting into the intake manifold.

- Remove the O-rings (A/5) (there is a second O-ring in the air filter hood (A/2)). Clean the O-rings and O-ring bearing surfaces with a clean cloth, and put the O-rings back in place.
- Remove the foam prefilter (B/6) from the paper cartridge (B/7).

Foam prefilter and inner filter

IMPORTANT:

Do not use fuel to clean the foam prefilter and inner filter (A/4)!



- If the foam prefilter (B/6) and inner filter (A/4) are dirty, wash them with dishwashing liquid in lukewarm water.
- **Dry thoroughly!**

NOTE:

Under very dusty conditions it will be necessary to clean the foam prefilter several times daily. If this is not possible on-site, have a sufficient supply of reserve foam prefilters on hand.

Paper cartridge

The paper cartridge (B/7) filters the intake air through a very fine paper filter laminate system. For this reason it must never be washed.

Replace the cartridge periodically, and especially in case of poor performance, reduced engine speed, or smoky exhaust.

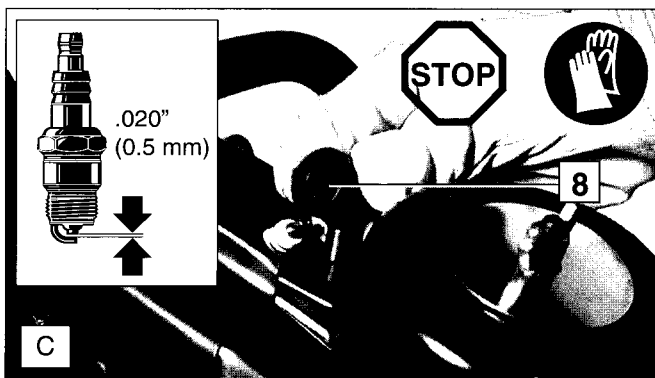
- Before reassembling the filter system, check the intake opening for dirt particles, and remove any found.

CAUTION:

If the air filter becomes damaged, replace immediately!

Pieces of cloth or large dirt particles can destroy the engine!

Replacing the spark plug



CAUTION:

Do not touch the spark plug or plug cap if the engine is running (high voltage).

Switch off the engine before starting any maintenance work.

A hot engine can cause burns. Wear protective gloves!

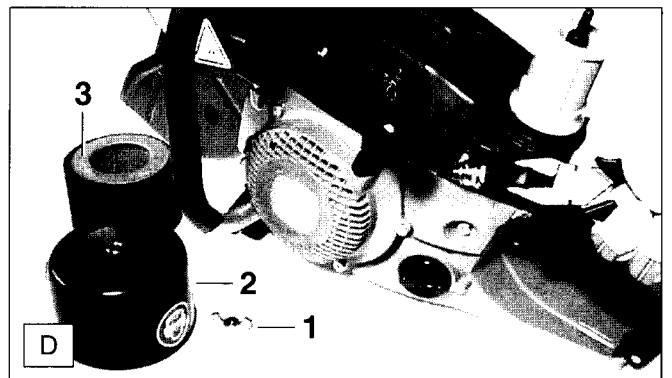
The spark plug must be replaced in case of damage to the insulator, electrode erosion (burn) or if the electrodes are very dirty or oily.

- Pull the plug cap (C/8) off the spark plug. Use only the combination wrench supplied with the saw to remove the spark plug.

Electrode gap

The electrode gap must be .020" (0.5 mm).

18



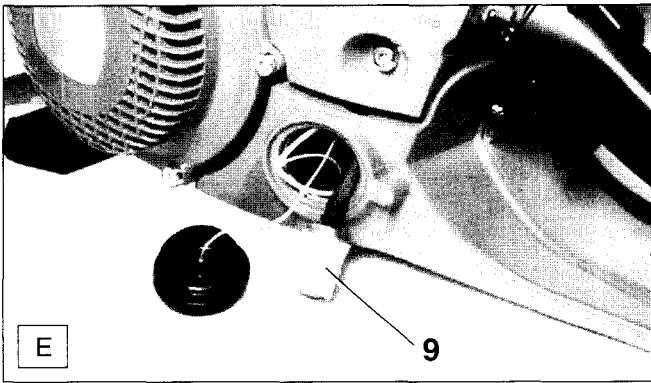
Checking the ignition spark

- Unscrew the wing-nut (D/1) and take off the air filter hood (D/2).
- Carefully pull the paper cartridge with foam prefilter (D/3) up and off.
- ON/OFF switch in the "I" (ON) position.
- Using insulated pliers, press the spark plug with the plug cap firmly attached against the screw on the cover (not in the area around the spark-plug hole!).
- Pull the starter cable hard.

If the function is correct, an ignition spark must be visible near the electrodes.

CAUTION: Use only BOSCH WSR 6F spark plug.

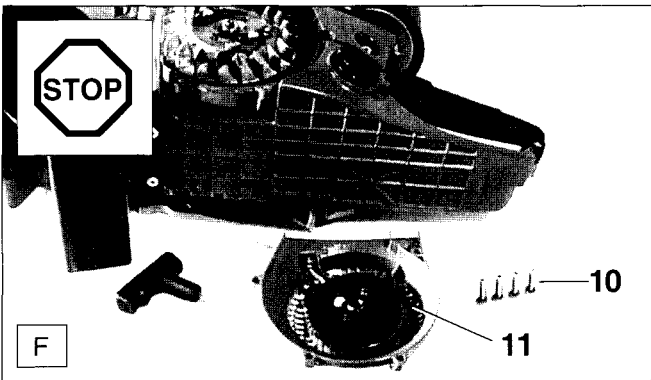
Replacing the suction head



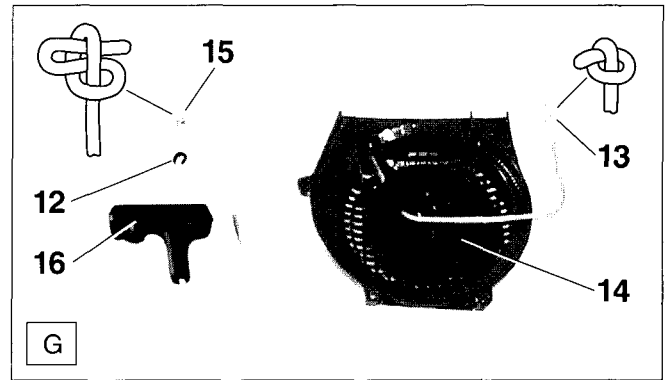
The felt filter (E/9) of the suction head can become clogged. It is recommended to replace the suction head once every three months in order to ensure unimpeded fuel flow to the carburetor.

- Empty fuel tank. To remove the suction head for replacement, pull it out through the tank filler neck using a piece of wire bent at one end to form a hook.

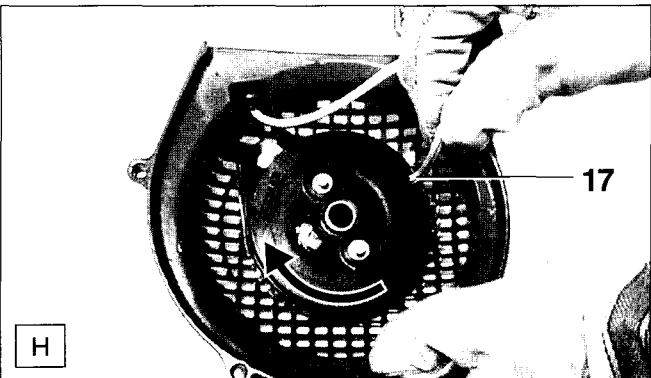
Replacing the starter cable



- Unscrew four screws (F/10). Remove the fan housing (F/11).
- Remove all pieces of cable.



- Thread in a new cable (3/16" dia. x 40" long (ø 4 x 1000 mm)) as shown in Fig. G (don't forget disc G/12), and knot the ends as shown.
- Pull knot (G/13) into the cable pulley (G/14).
- Pull knot (G/15) into the cable grip (G/16).
- Guide the cable into the recess (H/17) on the cable drum and use the cable to turn the drum two turns in the direction shown by the arrow.
- Holding the cable drum in your left hand, straighten out the twist in the cable with your right hand, pull the cable tight, and hold.
- Release the cable drum. The drum's spring force will now wind the cable around the drum.
- Repeat this procedure twice. The starter handle must stand out from the fan housing.

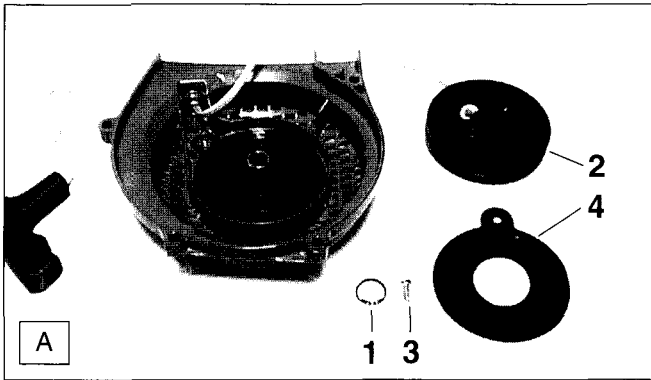


NOTE: With the cable pulled all the way out, it must still be possible to turn the pulley another 1/4 turn against the return spring.

CAUTION! Injury hazard! When you pull out the starter cable hold the starter handle firmly. It will whip back if the cable pulley is released by accident.

- When replacing fan housing, it may be necessary to pull the starter cable lightly so that the cable pulley catches.

Replacing the return spring

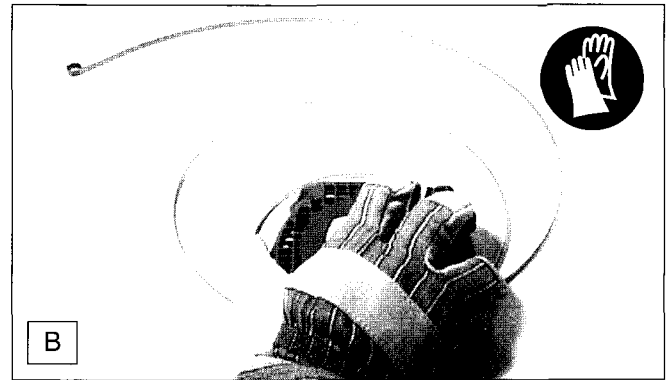


- Remove the fan housing (see above under "Replacing the starter cable").
- Take off circlip (A/1) (circlip pliers, see "Accessories").
- Remove the cable pulley (A/2).
- Unscrew screw (A/3) and carefully remove spring housing (A/4).

CAUTION: Danger of injury! If the spring is broken it may pop out!

NOTE:

The old spring should be recycled.



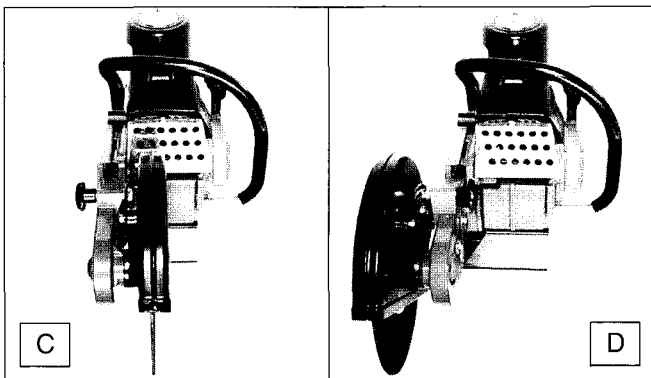
- Hold the fan housing as shown in Fig. B and strike against a suitable surface (e.g. old newspapers - the spring is greasy!).

CAUTION: Danger of injury! Hold the fan housing firmly so that the old spring pops out and can relax its tension safely.

Replacement return springs come under tension in a wire ring. Before installing, lightly grease the new spring with multi-purpose grease, order No. 944 360 000.

- With the spring still tight in the in wire ring, press it into the fan housing. The wire ring will automatically be scraped off.
- Turn the cable pulley slightly when putting it back on, until you hear it catch. Put the circlip back on.
- Wind on the starter cable as described above under "Replacing the starter cable".
- When replacing fan housing, it may be necessary to pull the starter cable lightly so that the cable pulley catches.

Cutting attachment in central / side position

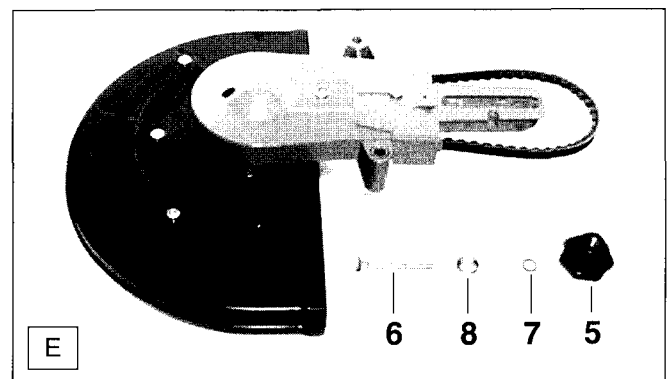


NOTE: The Power Cut is delivered with the cutting attachment mounted in the middle position (C). For cutting up against obstacles, such as curbs or walls, the cutting attachment can be mounted to one side (D). Use this position only when actually necessary, and afterwards return the cutting attachment to the middle position. In this position the Power Cut has better balance, is easier to guide, and is not as fatiguing for the operator.

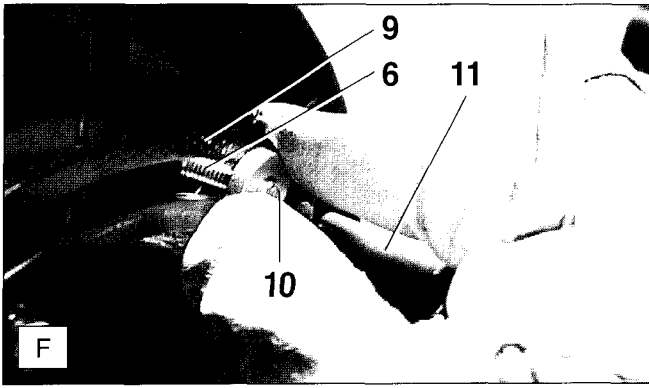
Repositioning the cutting attachment (Model 7000, 7001)



- Remove the cutting disc and pull the second pressure disc off the shaft (see also "Cleaning the Protective Hood").
- Dismount the cutting attachment (see "Changing the V-belt").



- Loosen the knob (E/5) and turn the protective hood so that one of the large holes is facing the adjusting screw (E/6).
- Unscrew the knob and remove the spring washer (E/7). Pull out the adjusting screw through the hole and remove the spacer ring (E/8).
- Mount the cutting attachment and protective hood in the side position. See "Installing the Drive Arm and Cutting Disc" and "Tightening the V-Belt".

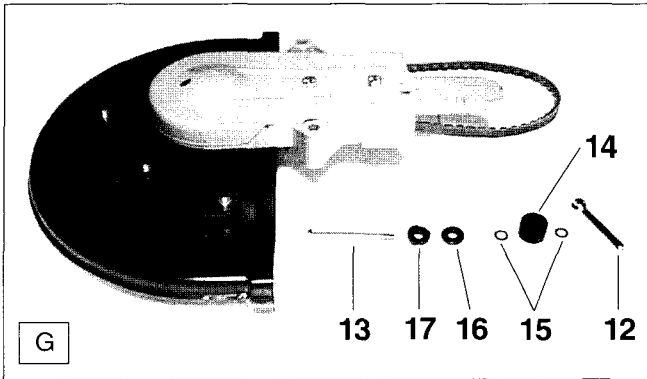


- Swing the protective hood up and guide the adjusting screw (F/6) through the hood and the guide track (F/9), and hold in position.
- Position the spacer ring (F/10) as shown in Fig. F and hold. Swing the protective hood so that the adjusting screw is facing the hole in the bracket (F/11).
- Push in the adjusting screw (the threads press against the guide track), put on the spring washer, and screw on the knob.
- Mount the cutting disc (see "Mounting the Cutting Disc").

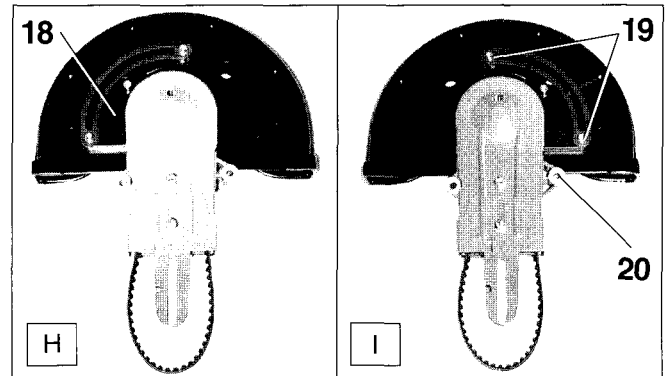
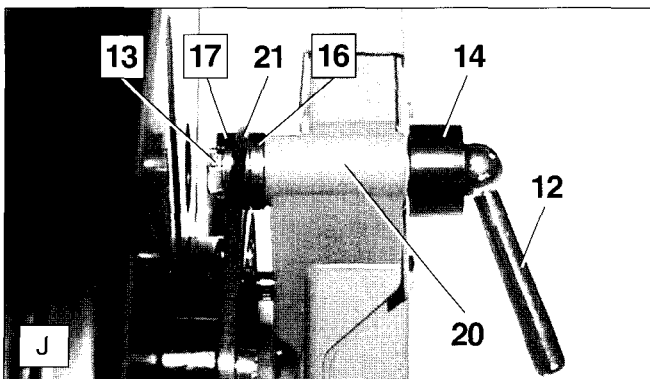
Repositioning the cutting attachment (Model 9500, 9501)



- Remove the cutting disc and pull the adapter ring and second pressure disc off the shaft (see also "Cleaning the Protective Hood").
- Dismount the cutting attachment (see "Changing the V-belt").



- Loosen the tightening toggle (G/12) and turn the protective hood so that the large hole is facing the adjusting screw (G/13).
- Unscrew the toggle and remove the spring housing (G/14) along with both washers (G/15). Pull the adjusting screw out through the hole and take off the spacer ring (G/16) and the lock bushing (G/17).



- Remove nuts and screws from segment (H/18).
- NOTE:** Additional tools required: 10 mm box or open-end wrench and combination pliers.
- Turn segment 90° and screw back down as shown in Figure I. Position the two longer screws (I/19) on the guide track.
- IMPORTANT:** The two segment screws under the drive arm must be installed in such a way that the heads are inside the protective hood (nuts outside).
- Swing the protective hood so that the large hole near the guide track is facing the bracket hole (I/20, J/20).
- Push the lock bushing (J/17) onto the adjusting screw (J/13) (place screw head in groove of bushing).
- Place the washer (J/16) between the guide track (J/21) and bracket (J/20) and hold it there.
- Guide the adjusting screw with the lock bushing through the protective hood and press through the guide track, washer, and bracket (with the wedge of the bushing in the guide-track slot).
- Push the spring housing (J/14) and the two washers (G/15) onto the adjusting screw and screw on the tightening toggle (J/12).
- Mount the cutting attachment and protective hood in the side position. See "Installing the Drive Arm and Cutting Disc" and "Tightening the V-Belt".
- Mount the cutting disc (see "Mounting the Cutting Disc").

SPECIAL ACCESSORIES

Diamond cutting discs

MAKITA diamond cutting discs meet the highest demands in working safety, ease of operation, and economical cutting performance. They can be used for cutting all materials **except metal**.

The high durability of the diamond grains ensures low wear and thereby a very long service life with almost no change in disc diameter over the lifetime of the disc. This gives consistent cutting performance and thus high economy. The outstanding cutting qualities of the discs make cutting easier.

Guide trolley

The MAKITA guide trolley makes it much easier to do straight cuts, while simultaneously enabling almost untiring working. It can be adjusted for the operator's height, and can be operated with the cutting attachment mounted in the middle or on the side.

See "Accessories" for order number.

For easier refuelling when using the trolley, we recommend adding an angled tank filler neck. See "Accessories" for order number.

A depth limiter can be added for still easier and more accurate cutting. It makes it possible to maintain a precise predetermined cut depth.

See "Accessories" for order number.

To keep down dust and for better cutting-disc cooling, MAKITA offers several options for wetting the disc during operation.

Water tank

The water tank is designed to be mounted on the guide trolley. Its high capacity makes it especially suitable for situations involving frequent site changes. For filling or for fast changing to reserve tanks, the tank can be simply lifted off the trolley.

The water tank comes with all necessary connections and hoses. Mounting to the trolley and Power Cut are very fast and simple.

See "Accessories" for order number.

Mains/pressure water system

The mains/pressure water system is designed to be mounted on the Power Cut. It can be used with or without the trolley, but is especially suitable for applications involving hand-held, stationary cutting. The water line has a fast-release connection, and can be fed either from a mains supply or from a pressure tank.

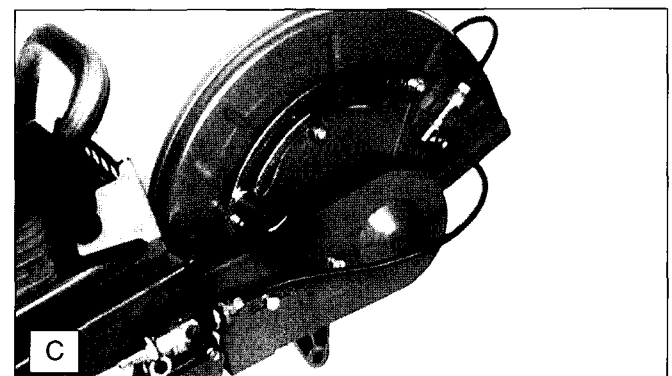
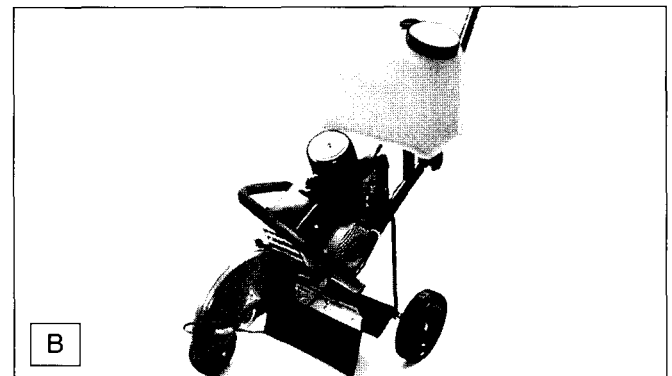
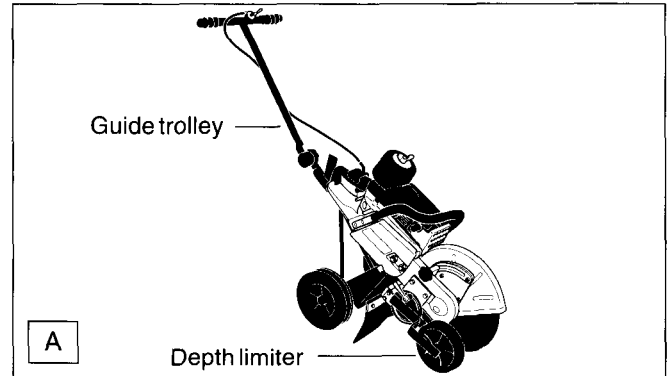
The water system comes with all necessary connections and lines. It can be quickly and easily mounted on the Power Cut.

See "Accessories" for order number.

The metal disc plates give highly concentric running for minimal vibration during use.

The use of diamond cutting discs reduces cutting time significantly. This in turn leads to lower operating costs (fuel consumption, wear on parts, repairs, and last but not least environmental damage).

See "Accessories" for order numbers.



Instructions for periodic maintenance

To ensure a long servicelife and to prevent any damage the maintenance work described in the following must be performed regularly. The product guarantee will be automatically invalidated if this maintenance is not carried out regularly and according to the instructions. Users of the Power Cut must not perform any maintenance work not described in this Owner's Manual. All such work must be carried out by a MAKITA service centre.

			Page
General	Entire Power Cut	Clean exterior, check for damage. In case of damage, have repaired by a qualified service centre immediately	
	Cutting disc	Inspect regularly for damage and wear.	6
	Clutch Protection hood	Have inspected at a service center. Clean	17
Before each start	Cutting disc	Check for damage	6
	V-belt	Check V-belt tension (note: tension gauge must be purchased separately)	13
	OFF switch, Safety locking button, Throttle lever	Functional check	15
	Fuel tank plug	Check for tightness	
Every day	Air filter	Clean	18
	Idle speed	Check (cutting disc must not turn on idle)	16
Every week	Fan housing	Clean to ensure proper air cooling	11
	Starter cable	Check for damage	19
	V-belt	Check V-belt tension, inspect for damage and wear	13
	Spark plug	Check and replace if necessary	18
	Muffler	Check tightness of mounting	11
Every 3 months	Suction head	Replace	19
	Fuel tank	Clean	
Storage	Entire Power Cut	Clean exterior, check for damage. In case of damage, have repaired by a qualified service centre immediately	
	Cutting disc	Remove and clean	13
	Fuel tank	Empty and clean	
	Carburetor	Run empty	

Service, spare parts and guarantee

Maintenance and repair


The maintenance and repair of modern cutoff saws and their safety-related components requires qualified technical training and a workshop equipped with special tools and testing devices.

We therefore recommend that you consult a MAKITA service centre for all work not described in this owner's manual.

The MAKITA service centres have all the necessary equipment and skilled and experienced personnel, who can work out cost-effective solutions and advise you in all matters.

Please contact your nearest service centre. Should you however not have an address for a MAKITA service centre then please contact the MAKITA general trading company (see last page), who will gladly provide you with the address of your nearest MAKITA service centre.

Spare parts

Reliable long-term operation, as well as the safety of your Power Cut, depend among other things on the quality of the spare parts used. Use only original MAKITA parts, marked 

Only original spare parts and accessories guarantee the highest quality in material, dimensions and function.

Original spare parts and accessories can be obtained from your local dealer. He will also have the spare part lists to determine the required spare part numbers, and will be constantly informed about the latest improvements and spare part innovations.

Please bear in mind that if parts other than original MAKITA spare parts are used, this will automatically invalidate the MAKITA product guarantee.

We will furthermore not accept any liability damages arising from the use of non-MAKITA spare parts.

Guarantee

MAKITA guarantees the highest quality and will therefore reimburse all costs for repair by replacement of damaged parts resulting from material or production faults occurring within the guarantee period after purchase. Please note that in some countries particular guarantee conditions may exist. If you have any questions, please contact your salesman, who is responsible for the guarantee of the product.

Please note that we cannot accept any responsibility for damage caused by:

- Disregard of the owner's manual.
- Non-performance of the required maintenance and cleaning.
- Incorrect carburetor adjustment.
- Normal wear and tear.
- Obvious overloading due to permanent exceeding of the upper performance limits.
- The use of other than original MAKITA cutting discs.
- Use of force, improper use, misuse or accidents.
- Damage from overheating due to dirt on the fan housing.
- Work on the Power Cut by unskilled persons or inappropriate repairs.
- Use of unsuitable spare parts or parts which are not original MAKITA parts, insofar as they have caused the damage.
- Use of unsuitable or old oil.
- Damage related to conditions arising from lease or rent contracts.

Cleaning, servicing and adjustment work is not covered by the guarantee. All repairs covered by the guarantee must be performed by a MAKITA service centre.

Trouble shootig

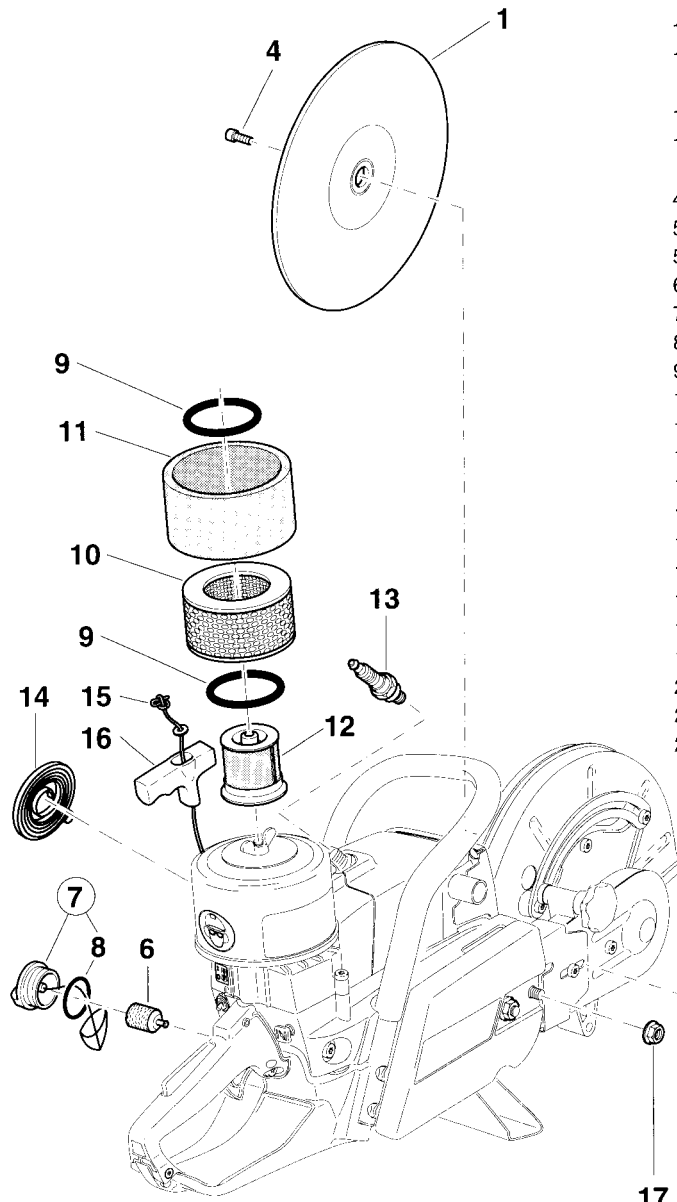
Malfunction	System	Observation	Cause
Cutting disc does not start turning	Clutch	Engine runs	Damage to clutch
Engine does not start or only with difficulty	Ignition system	Ignition spark No ignition spark	Malfunction in fuel supply system, compression system, mechanical malfunction. Switch on STOP, fault or short-circuit in the wiring, plug cap or spark plug defective.
	Fuel supply	Fuel tank is filled	Choke in wrong position, carburetor defective, suction head dirty, fuel line bent or interrupted.
	Compression system	Inside	Cylinder base packing ring defective, radial shaft packings defective, cylinder or piston rings defective
	Mechanical malfunction	Outside Starter does not engage	Spark plug does not seal. Spring in starter broken, broken parts inside the engine.
Warm start difficulties	Carburetor	Fuel tank is filled Ignition spark	Wrong carburetor adjustment.
Engine starts, but dies immediately	Fuel supply	Fuel tank is filled	Wrong idling adjustment, suction head or carburetor dirty. Tank venting defective, fuel line interrupted, cable defective, STOP switch defective. Starting valve dirty (DPC 7001, DPC 9501).
Insufficient power	Several systems may be involved simultaneously	Engine is idling	Air filter dirty, wrong carburetor adjustment, muffler clogged, exhaust channel in cylinder clogged.

Extract from the spare parts list

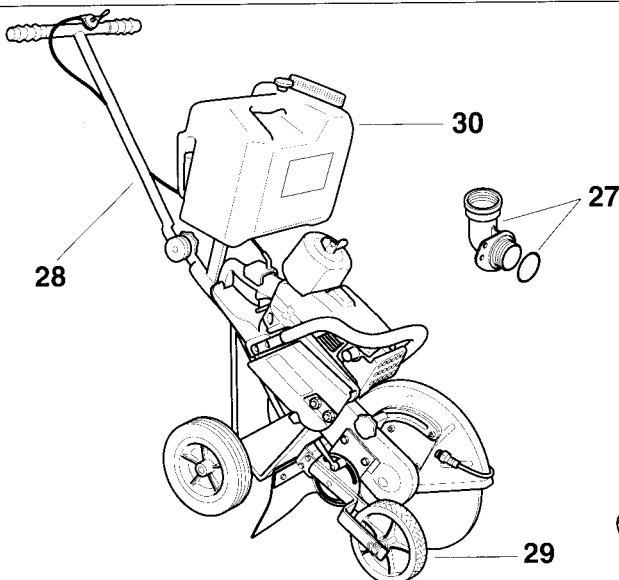
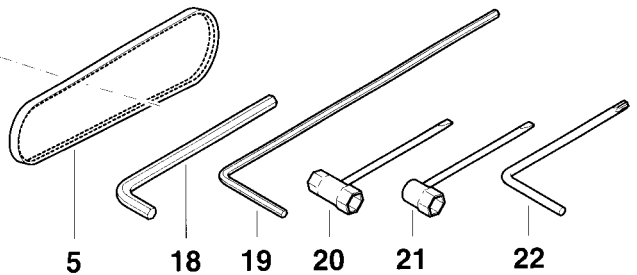
Use only original MAKITA parts. For repairs and replacement of other parts, see your MAKITA service centre.

DPC 7000, DPC 7001

DPC 9500, DPC 9501

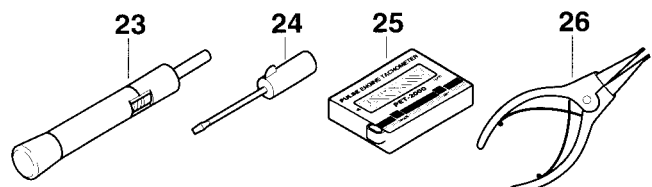


Pos.	MAKITA-No.	Qty.	Denomination
Synthetic resin cutting disc			
Model 7000, 7001			
1	965 210 611	1	Cutting disc for steel, dia. 12" / 300 mm
1	965 210 621	1	Cutting disc for masonry, dia. 12" / 300 mm
Model 9500, 9501			
1	965 210 212	1	Cutting disc for steel, dia. 14" / 350 mm
1	965 210 222	1	Cutting disc for masonry, dia. 14" / 350 mm
4	907 310 204	1	Fillister screw M10x20L
5	965 300 440	1	V-belt XPZ 867 (Model 9500, 9501)
5	965 300 450	1	V-belt XPZ 765 (Model 7000, 7001)
6	963 601 120	1	Suction head
7	965 450 301	1	Fuel tank plug, cpl.
8	963 232 045	1	O-Ring 32x4,5
9	963 257 070	2	O-Ring 57x7
10	122 173 140	1	Paper cartridge
11	001 173 000	1	Foam prefilter
12	001 173 020	1	Inner filter
13	965 603 014	1	Spark plug BOSCH WSR-6F
14	123 163 013	1	Return spring
15	122 164 010	1	Starter cable \varnothing 0.16" x 39.3" (\varnothing 4x1000 mm)
16	965 402 262	1	Starter grip
17	923 210 002	2	Hexagonal nut M10
18	944 500 791	1	Allen key 8 mm
19	944 500 630	1	Allen key 5 mm
20	941 717 191	1	Universal wrench SW 17/19
21	941 717 001	1	Wrench SW 17
22	940 827 000	1	Offset screwdriver T27



Accessories (not delivered with the Power Cut)

23	950 100 500	1	V-belt tension gauge
24	944 340 001	1	Carburetor screwdriver
25	950 233 210	1	Tachometer
26	946 101 010	1	Circlip pliers
27	010 114 040	1	Angle fuel-tank filler neck, cpl.
28	957 398 600	1	Guide trolley
<small>(not incl. Power Cut, Items 29 & 30)</small>			
29	957 398 110	1	Depth limiter, cpl.
30	957 398 120	1	Water tank, cpl., for guide trolley
-	957 802 600	1	Pressure water tank, cpl.
-	398 365 150	1	Mains water connection, cpl.
-	949 000 031	1	Combined can (for 5l fuel, 2.5l oil)



Nous vous remercions de votre confiance!

La découpeuse moderne de MAKITA vous a convaincu à l'achat. Comme les découpeuses MAKITA, les découpeuses MAKITA sont équipées de moteurs haute puissance spécialement construits à cet effet présentant un rapport puissance / poids excellent, donc une puissance moteur élevée pour un poids faible.

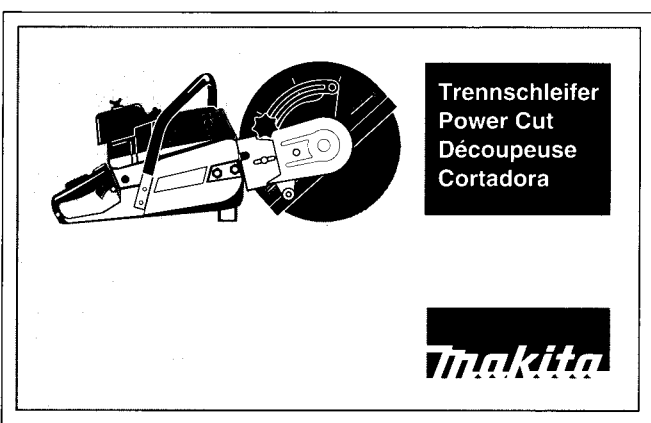
Autres avantages des découpeuses MAKITA :

- construction robuste et haute fiabilité.
- allumage électronique nécessitant aucun entretien, protégé hermétiquement contre la poussière et l'humidité.
- amortissement des vibrations selon le système 2 masses (D2M) garantissant un travail sans fatigue même pour un appareil portatif.
- système de filtre à air à trois vitesses pour un fonctionnement fiable même en cas d'un fort dégagement de poussière.
- deux possibilités de montage du disque à découper : en position moyenne pour le balancement optimal de l'appareil portatif ou en position latérale pour des coupes effectuées près de murs ou en bordures de routes ou horizontal directement au-dessus du sol.
- divers accessoires de disques à découper à la résine ou au diamant ainsi que chariot de guidage avec amortissement contre les vibrations, collecteur de poussière et différents système d'amenée d'eau vers le disque à découper.

Notre plus grande attente est que vous soyez un client MAKITA satisfait.

Afin de garantir en permanence un fonctionnement optimal de votre découpeuse MAKITA et d'assurer votre sécurité personnelle, nous vous demandons de :

Lire attentivement cette notice avant la première mise en route et veuillez observer avant tout les prescriptions de sécurité.



Sommaire

Page

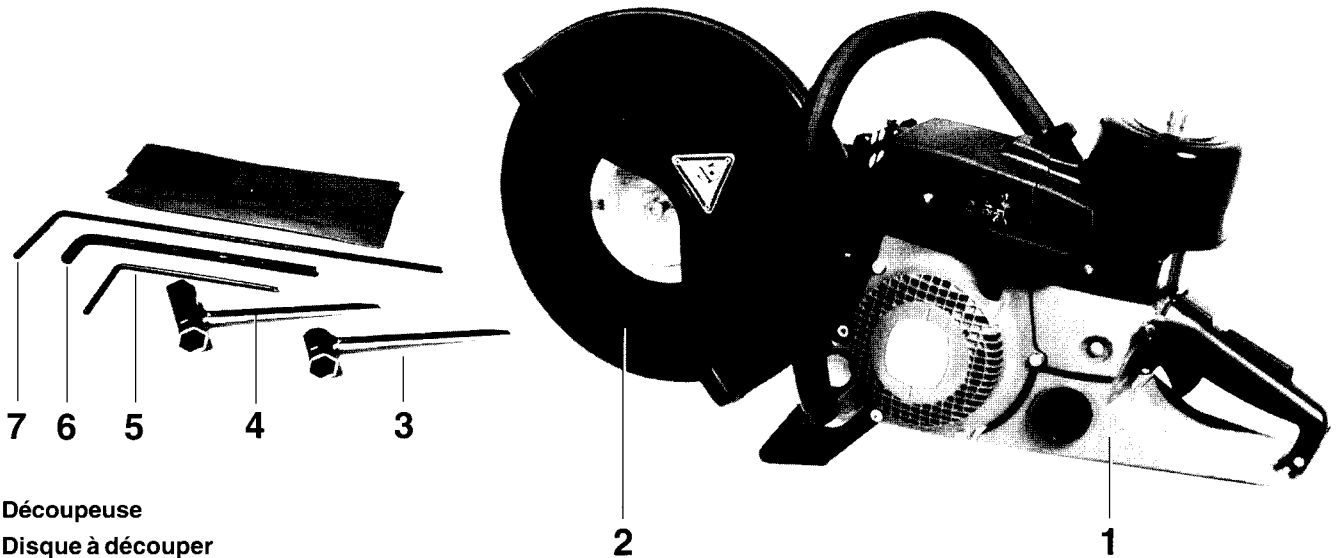
Emballage	26
Etendue de la fourniture	27
Symboles	27
INSTRUCTIONS DE SÉCURITÉ	28
Instructions générales	28
Équipement de protection personnel	28-29
Produits de fonctionnement / Remplissage des réservoirs	29
Mise en route	29
Disques à découper	30
Rebond (klickback) et freinage	31
Comportement et technique de travail	31
Découper les métaux	32
Découper pierre, béton, amiante ou asphalte	32-33
Transport et stockage	33
Maintenance	34
Premier secours	34
Caractéristiques techniques	35
Désignation des pièces	35
MISE EN ROUTE	36
Montage du bras d'engrenage et du disque à découper	36-37
Tendre la courroie	37
Monter le disque à découper	37-38
Carburants / ravitaillement	38-39
Démarrer le moteur	39
Démarrage à froid	39
Démarrage à chaud	39
Comportement à suivre en cas de pannes	39
Arrêter le moteur	39
Réglage du carburateur	40
TRAVAUX DE MAINTENANCE	41
Remplacer la courroie	41
Nettoyer le capot de protection	41
Nettoyer / remplacer le filtre à air	42
Remplacement de bougie	42
Remplacement de la crépine d'aspiration	43
Remplacement du cordon de lancement	43
Remplacement du ressort de rappel	44
Indications de maintenance et d'entretien périodiques ..	47
Dispositif de coupe en position médiane / position extérieure	44
Démonter le dispositif de coupe (DPC 7000, DPC 7001)	44-45
Démonter le dispositif de coupe (DPC 9500, DPC 9501)	45
ACCESSOIRES SPECIAUX	46
Disques à découper au diamant, chariot de guidage, réservoir à eau et conduite d'eau sous pression	46
Service d'atelier, pièces de rechange et garantie	47-48
Recherche de pannes	48
Extrait de la liste des pièces de rechange	49
Accessoires	49
Liste d'ateliers spécialisés aux Etats-Unis	50
Notices	51

Emballage

Votre découpeuse MAKITA est emballée dans un carton pour éviter tout dommage durant le transport.

Les cartons sont des matières premières recyclables, ils peuvent donc être remis dans le cycle de la matière première (réutilisation des vieux papiers).





1. Découpeuse
2. Disque à découper
3. Outillage de montage 17
4. Outillage de montage 17/19
5. Tournevis coudé
6. Clé allen 8 mm
(Clé de montage du disque à découper)
7. Clé allen 5 mm
(Clé de serrage de la courroie)
8. Notice d'emploi (sans illustration)

Si un des composants indiqués ici ne devait pas être dans la fourniture, veuillez vous adresser à votre vendeur!

Symboles

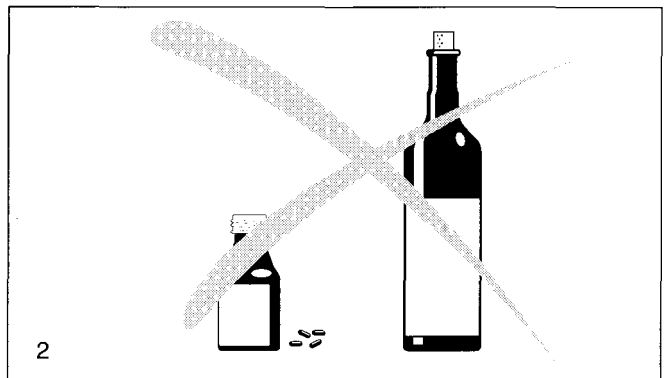
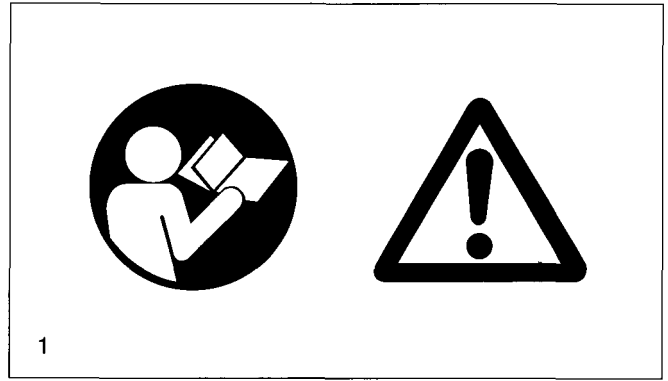
Vous rencontrerez les symboles suivants sur l'appareil et dans le manuel d'emploi:

	Lire manuel d'emploi et suivre les consignes de sécurité et d'avertissement!	Start Stop	Interrupteur de marche/arrêt (I/O)
	Danger et attention particuliers!		Levier choke
	Interdit!		Appuyer sur la soupape de mise en marche
	Porter le casque, les lunettes et acoustiques de protection!		Démarrer le moteur
	Porter des gants de protection!		Arrêter le moteur
	Porter l'appareil de respiration!		Choc de recul (Kickback)!
	Interdiction de fumer!		Mélange carburant
	Pas de feu ouvert!		Premier secours
	Attention : vitesse périphérique max. de la disque à découper 80 m/s!		Recyclage

INSTRUCTIONS DE SÉCURITÉ

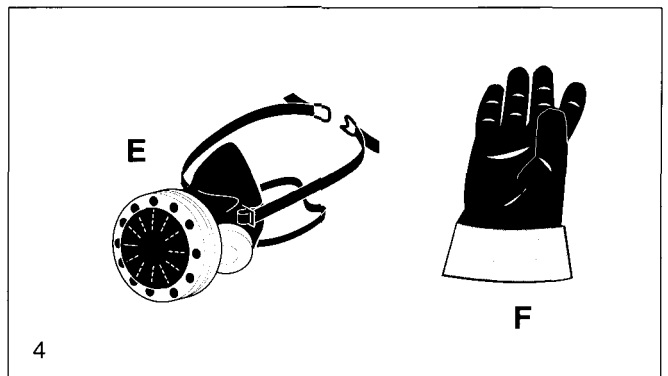
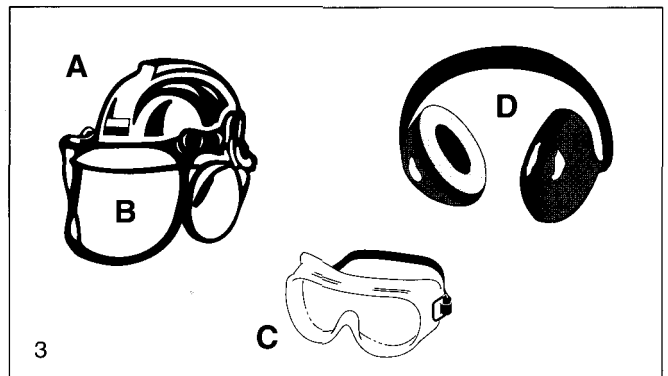
Instructions générales

- Pour pouvoir manipuler l'appareil en toute sécurité, l'utilisateur devra lire impérativement les présentes manuel d'emploi (même si celui-ci a déjà travaillé avec une découpeuse) de manière à se familiariser avec le maniement de cette découpeuse. Par une utilisation inadéquate, des serveurs insuffisamment informés et formés présentent un danger pour eux-mêmes et pour d'autres personnes.
- Ne prêter uniquement la découpeuse qu'à des utilisateurs ayant déjà manipulé une découpeuse. Les manuel d'emploi doivent être transmises à cette fin.
- Nous conseillons aux utilisateurs novices de consulter un spécialiste de manière à se familiariser avec les caractéristiques de la découpe assurée par moteur.
- Les enfants et adolescents âgés de moins de 18 ans ne sont pas autorisés à se servir de la découpeuse. Les adolescents au-dessus de 16 ans sont exempté de cette interdiction que, si pour des besoins de formation, ils sont sous la direction d'un professionnel.
- Le travail avec la découpeuse exige une grande attention.
- Ne travailler qu'en bonne condition physique. Une fatigue, par exemple, peut conduire à un inattention. Il faut particulièrement faire attention à la fatigue de la fin de journée de travail. Exécuter tous les travaux tranquillement et avec prudence. Le serveur est d'autre part responsable par rapport à des tiers.
- Ne jamais travailler sous l'effet de l'alcool ou de drogues.
- Avoir un extincteur sous la main en cas de travaux dans un végétation facilement inflammable ou par temps de sécheresse (Danger d'incendie).
- Le découpage de l'amiante ou de substances susceptibles de dégager des gaz toxiques ne doit être effectué qu'après en avoir fait la demande et sous la surveillance des autorités compétentes en la matière ou de la personne chargée de ce travail.



Equipement de protection personnel

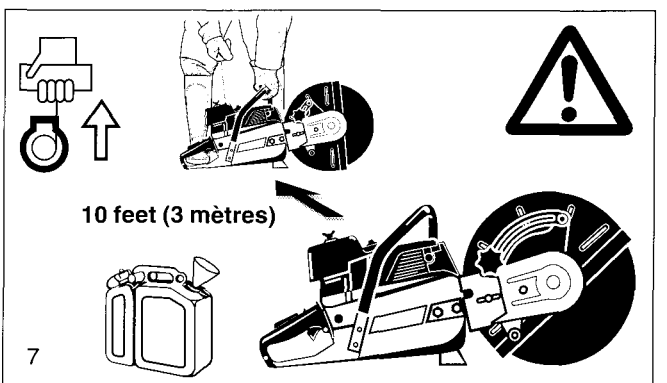
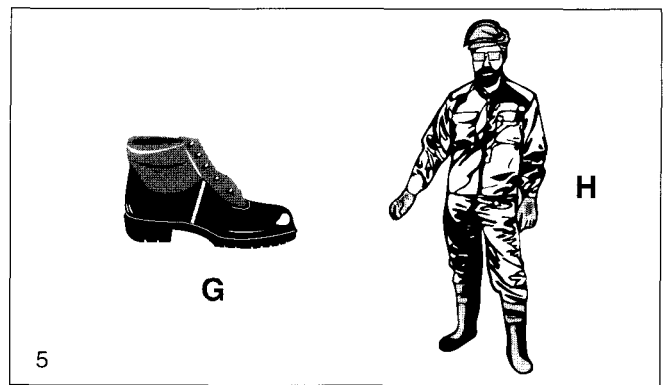
- Pour éviter lors du découpage des blessures à la tête, aux yeux, aux mains, aux pieds, ainsi qu'une baisse de l'audition, il faut porter les équipements et moyens de protection corporels suivants.
- Les vêtements doivent s'appliquer judicieusement au corps sans toutefois présenter une gêne. Les vêtements dans lesquels des grains de matériau peuvent pénétrer (par exemple pantalon à ourlet, vestes ou pantalons dont les poches sont ouvertes etc.) ne peuvent être portés notamment lors du découpage de métal.
- Ne pas porter de bijoux ou de vêtements pouvant se coincer ou gêner l'utilisateur pendant le découpage.
- Porter pour l'ensemble des travaux un **casque de protection** (A). Le casque de protection doit régulièrement être vérifié s'il n'est pas endommagé et il doit être échangé au plus tard après 5 ans. N'utiliser que des casques agréés.
- Le **masque** (B) du casque stoppe la poussière d'abrasion et les grains de matériau. Pour éviter toute blessures des yeux et du visage, un masque ou des **lunettes de protection** (C) ou doivent être portées pendant l'utilisation de la découpeuse.
- Pour éviter des dommages auditifs, il faut porter des **moyens de protection acoustiques** personnels appropriés (casque protège-oreilles (D), capsules, ouate à la cire, etc.).
- Le découpage à sec de matériau pierreux produisant de la fine poussière (pierre, béton etc.) exige impérativement le port d'un **appareil respiratoire** (E) conforme aux prescriptions.
- Des **gants de travail** (F) en cuir résistant font partie de l'équipement réglementaire et doivent être portés en permanence lors de l'utilisation de la découpeuse.



- Des **gants ou des bottes de sécurité** (G) à semelle crantée, une casquette en acier et un protège-jambe doivent être portés pendant l'utilisation de la découpeuse. Les chaussures de sécurité avec des recouvrements anti-coupure offre une protection contre des blessures par coupure et assurent une assise sûre.
- Porter en permanence une **combinaison de travail** (H) en matière résistante pour tout type de travaux.

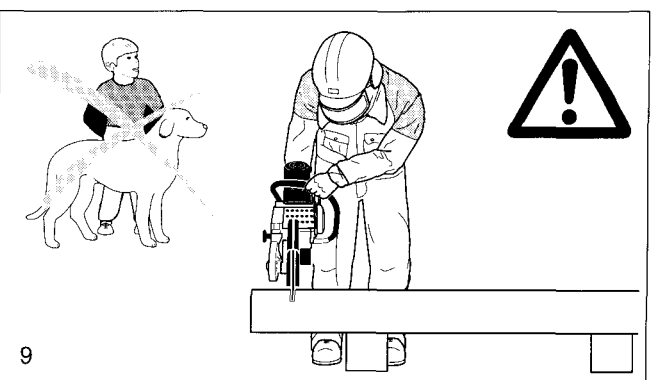
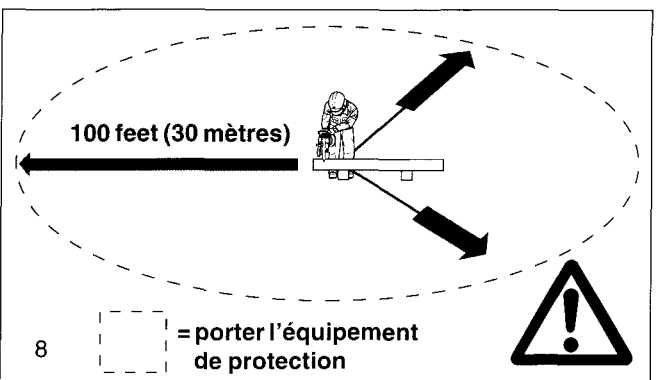
Produits de fonctionnement / Remplissage des réservoirs

- Avant de remplir le réservoir, chercher un endroit sûr. **Remplir le réservoir sur un échafaudage ou une pile de matériaux ou objet similaire est interdit !**
- Pour remplir les réservoirs, arrêter le moteur.
- Interdiction de fumer, et éviter tout feu ouvert à proximité (6).
- Avant de remplir le réservoir, laisser refroidir l'appareil.
- Les carburants peuvent contenir des substances assimilables à des dissolvants. Éviter de rentrer en contact avec la peau et avec les yeux avec les produits pétroliers. Lors du remplissage, porter des gants (non pas les gants de travail). Changer souvent de vêtements de protection et les nettoyez. Ne pas respirer des vapeurs de carburants.
- Ne jamais répandre du carburant. Si du carburant a été versé à côté, nettoyer immédiatement la découpeuse. Ne pas mettre le carburant en contact avec les vêtements. Si du carburant est déversé sur les vêtements, changer immédiatement de vêtement.
- Veillez à ce que du carburant ne pénètre dans le sol (protection de l'environnement). Utiliser des substrats adéquats.
- Ne pas faire le plein dans un local fermé, les vapeurs des carburants s'amassent au sol (danger d'explosion).
- Bien fermer les capuchons vissés de réservoir à essence.
- Pour démarrer la découpeuse, changer d'emplacement (au moins 10 feet (3 mètres) de l'endroit où le remplissage a été effectué) (7), non pas dans la prolongation de la zone de pivotement (sens de projection des étincelles) du disque à découper.
- Les carburants ne peuvent pas être stockés infiniment. N'acheter que la quantité nécessaire couvrant un temps de marche prévisible.
- Lorsque vous effectuez le mélange essence-huile, remplir d'abord l'huile et ensuite l'essence dans le bac de mélange.
- Ne transporter et ne stocker le carburant que dans des nourrices agréées et portant les indications nécessaires.
- **Ne jamais laisser le carburant à la portée des enfants.**



Mise en route

- **Ne jamais travailler tout seul, en cas d'urgence quelqu'un doit être à proximité.**
- Respecter les règlements en matière de protection contre les bruits lors de l'utilisation de la découpeuse dans des zones d'habitation.
- **La découpeuse ne doit pas être utilisée à proximité de matières combustibles ou de gaz explosifs. Il y a risque de formation d'étincelles.**
- S'assurer que les personnes se trouvant à moins de 100 feet (30 mètres) de l'emplacement de travail (par ex. aides) portent un équipement de protection (voir „Equipement de protection personnel“) (8). Les enfants ou autres personnes doivent respecter une distance minimale de 100 feet (30 mètres) de la zone de travail de la découpeuse. Attention également aux animaux (9).
- **Avant le début du travail, contrôler le fonctionnement parfait et l'état réglementaire de fonctionnement des sécurités de la découpeuse.**
Vérifier notamment l'état du disque à découper (remplacer immédiatement disques fissurés, endommagés ou courbés), le montage correct du disque, le montage fixe du protecteur de courroie, la tension correcte de la courroie, la souplesse de l'accélérateur et le fonctionnement du blocage d'accélération, l'état propre et sec des poignées, le fonctionnement de l'interrupteur démarrage/stop.
- Ne mettre en route la découpeuse qu'après assemblage complet. En principe, la découpeuse ne doit être utilisée qu'à l'état complètement monté.



Disques à découper

- **Le capot de protection doit toujours être monté. Ne remplacer le disque à découper que lorsque le moteur est éteint !**
- Il y a deux types de disques à découper :
 - pour le métal (coupe à chaud)
 - pour le béton (coupe à froid)

REMARQUE: Lorsque vous utilisez des disques à découper au diamant, respecter impérativement la marque du sens de rotation indiquée. Les disques à découper au diamant ne conviennent pas pour le traitement du métal.

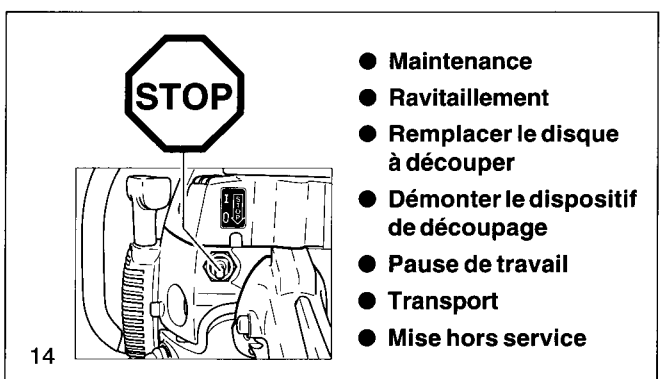
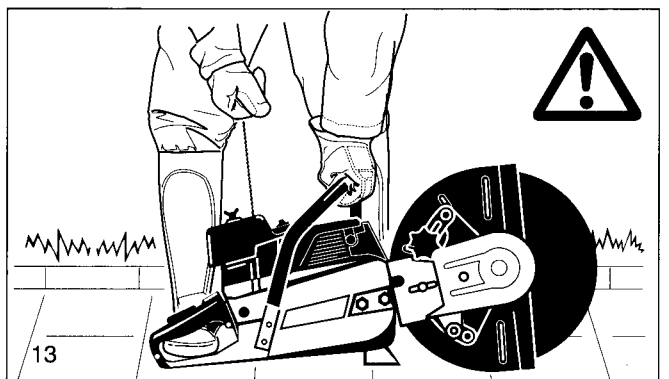
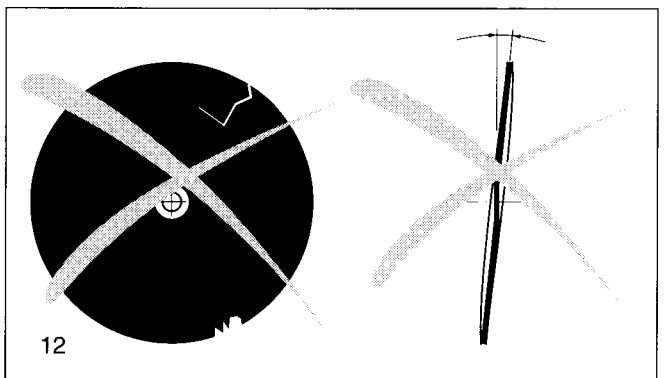
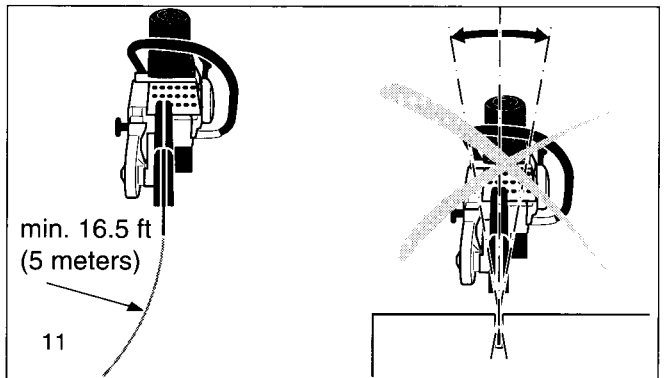
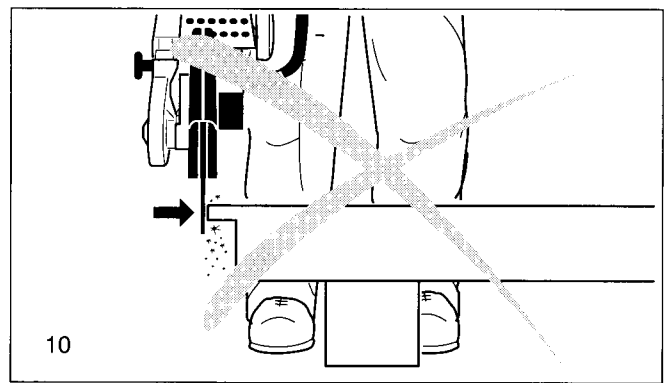
- Les disques à découper ne sont conçus qu'en vue d'un effort radial pour la coupe. Ne jamais utiliser les côtés du disque à découper pour l'affûtage (10).

Attention ! Il est interdit de changer de sens (rayons inférieurs à 16.5 ft / 5 m), d'appuyer latéralement sur la découpeuse ou de la basculer pendant le découpage (11) !

- Les disques à découper ne doivent être utilisés que pour tronçonner les matériaux prédéfinis. Le type de disque correspondant doit être sélectionné en fonction du matériau (métal ou béton).
- Le trou de forage intérieur du disque à découper doit s'adapter exactement à l'arbre. Un trou de forage intérieur plus grand doit être compensé par un anneau intermédiaire.
- Le disque à découper doit être agréé par le DSA (comité allemand pour les disques abrasifs) ou une organisation similaire pour un découpage à la main avec un diamètre de disque de 350 mm (14") jusqu'à 4370 rpm (= 80 m/s) ou avec un diamètre de disque de 300 mm (12") jusqu'à 5100 rpm (= 80 m/s).
- Le disque à découper doit être en parfait état (12). Vérification sonore avec un morceau de bois.

Serrer toujours la vis de fixation du disque à découper à 30 Nm sinon risque de torsion du disque.

- Avant de démarrer, le guide de la découpeuse doit prendre une position stable.
- Ne démarrer la découpeuse que selon les instructions indiquées dans la notice d'emploi (13). Poser toujours le pied droit dans la poignée et entourer la poignée avec le pouce. D'autres techniques de lancement ne sont pas autorisées.
- Lors de la mise en route, la machine doit être solidement maintenue et supportée. Pour cela, le disque à découper doit être libre.
- Si le disque à découper est neuf, il doit être testé avant le premier découpage au moins pendant 60 secondes à la vitesse maximale indiquée. Pour cela, aucune partie du corps ou personne doit se trouver dans la prolongation de la zone de pivotement du disque à découper.
- **Lors du travail, la découpeuse est à maintenir avec les deux mains.** La main droite maintient la poignée arrière, la main gauche la poignée en forme d'étrier. Bien saisir les poignées avec les pouces.
- **ATTENTION : Dès que l'accélérateur est relâché, le disque à découper tourne à vide pendant une courte durée** (effet de marche à vide).
- Il faut veiller constamment à avoir une bonne assise sûre.
- La découpeuse est à manipuler pour que les gaz d'évacuation ne peuvent pas être inspirés. Ne pas travailler dans des pièces closes ou dans des fossés profonds (risque d'intoxication).
- **Arrêter immédiatement la découpeuse lorsqu'on sent des modifications dans son comportement.**
- **Pour contrôler la tension de la courroie, pour retendre, pour changer le disque à découper, pour changer le montage du dispositif de découpage (position extérieure ou médiane) et pour remédier aux pannes, le moteur doit être arrêté (14).**
- En cas de changement audible ou sensible dans le découpage, arrêter immédiatement le moteur) et vérifier le disque à découper.
- La découpeuse doit être arrêtée pendant les pauses et à la fin du travail (14), elle doit être mise à l'arrêt de façon à ce que le disque soit libre et que personne ne soit en danger.
- Ne pas poser la découpeuse chaude dans de l'herbe sèche ou sur des objets inflammables. Le pot d'échappement rayonne énormément de chaleur (danger d'incendie).
- **ATTENTION :** A l'issue du découpage sous arrosage, arrêter d'abord l'arrosage et ensuite laisser tourner le disque à découper pendant au moins 30 secondes de manière à faire évacuer l'eau et empêcher la corrosion.



Rebond (kickback) et freinage

- Un rebond ou freinage dangereux peut se produire en travaillant avec la découpeuse.
- Le rebond se produit lorsque la partie supérieure du disque est utilisé pour découper (15).
- La découpeuse est incontrôlée, accélérée et lancée en avant avec une grande énergie en direction du guide-découpeuse (**risque de blessure !**).

Pour éviter tout rebond, respecter les consignes suivantes :

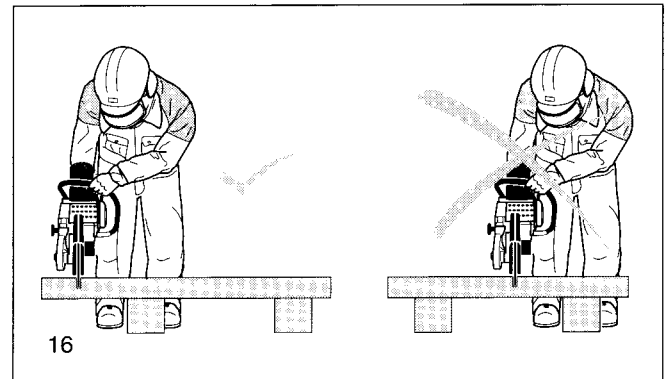
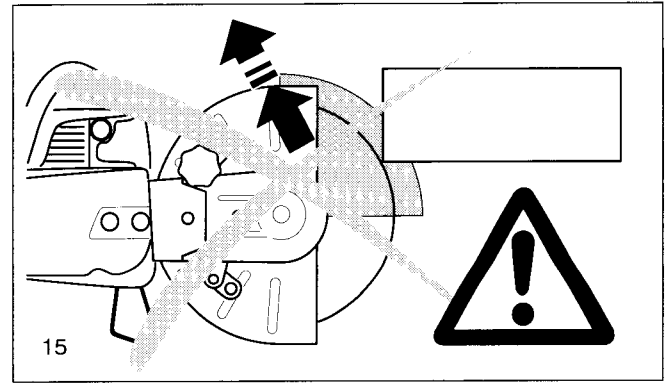
- Ne jamais tronçonner avec le segment montré sur la figure 15 !

Faites très attention lorsque vous découpez dans des entailles !

- Le freinage se produit quand l'entaille est comprimée (fissure ou pièce sous tension).
- La découpeuse est incontrôlée, accélérée et lancée en avant avec une grande énergie (**risque de blessure !**).

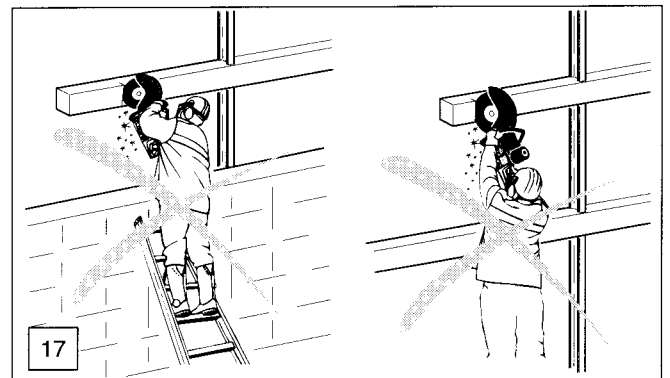
Pour éviter tout rebond, respecter les consignes suivantes :

- Toujours découper et réintroduire la lame dans des entailles à plein régime.
- Toujours caler la pièce de manière à ce que l'entaille soit sous tension de traction (16) pour ne pas que le disque à découper ne coince.
- Au début du découpage, toujours approcher le disque à découper avec précaution, sans à-coups.
- Ne jamais tronçonner plusieurs pièces à la fois ! Veiller à ce qu'aucune autre pièce ne soit touchée lors du découpage.



Comportement et technique de travail

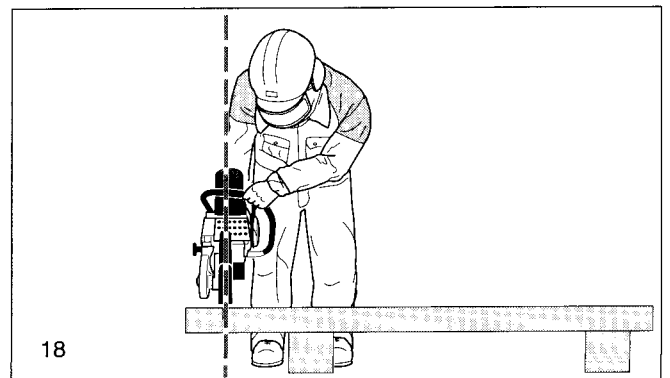
- Ne travailler que sous de bonnes conditions de visibilité et d'éclairage. Faire particulièrement attention en présence de sol glissant, d'humidité, de glace et de neige (danger de glissade).
- Ne jamais travailler sur un fondement instable. Faire attention aux obstacles dans la zone de travail (risque de trébucher). Continuellement veiller à avoir une assise solide et sûre.
- Ne jamais découper au-dessus de la hauteur d'épaule (17).
- Ne jamais découper debout sur une échelle (17).
- Ne jamais travailler avec la découpeuse sur un échafaudage.
- Ne jamais travailler trop penché en avant. Toujours fléchir les genoux en posant ou en prenant la découpeuse. Ne pas se courber.



- Conduire la découpeuse de manière à ce qu'aucune partie du corps ne se trouve dans la prolongation de la zone de pivotement du disque à découper (18).
- Les disques à découper ne doivent être utilisés que pour découper les matières prévues.
- Ne pas utiliser la découpeuse pour enlever et balayer les restes de pièces et autres objets.

Attention risque de blessure ! Nettoyer la zone de coupe avant le découpage de corps étrangers tels que pierre, clous etc. Ceux-ci peuvent être projetés lors de la coupe et provoquer des blessures.

- Lors du tronçonnement de pièces, utiliser un support stable et le fixer si nécessaire pour ne pas qu'il ne glisse. La pièce ne doit pas être bloquée avec le pied ou par une autre personne.
- Les pièces rondes doivent être impérativement fixées pour ne pas qu'elles se tordent dans la coupe.
- N'utiliser qu'en cas de besoin la découpeuse portable avec dispositif de découpage en position extérieure. La découpeuse avec dispositif de découpage en position médiane a un meilleur équilibre évitant ainsi une fatigue prématurée.



Découper les métaux

ATTENTION !

Porter l'appareil respiratoire réglementaire !

Le découpage de matières pouvant dégager des gaz toxiques ne peut être effectué qu'après en avoir fait la demande et sous la surveillance des autorités compétentes ou de la personne en étant chargée.

ATTENTION !

Les métaux chauffent et fondent par la rotation rapide du disque à découper au point de contact. Basculer le capot de protection vers le bas le plus loin possible derrière la coupe (19) pour diriger la protection d'étincelles si possible vers l'avant, dans le sens opposé de l'opérateur (risque d'incendie important).

- Déterminer et marquer le sens de découpage et approcher le disque vers le matériau à une vitesse moyenne et dès qu'une rainure de guidage est entaillée, continuer de couper à plein régime en appuyant fortement.
- Couper uniquement droit et verticalement, ne pas tenir de travers, sinon le disque risque de se rompre.
- On obtient une coupe optimale et égale en tirant et en faisant aller et venir la découpeuse. Ne pas „pousser“ le disque à découper dans la matière.
- Tronçonner les barres rondes massives de préférence par étapes (20).
- Les tubes minces peuvent être simplement découpés en coupant verticalement.
- Manipuler les tubes de grand diamètre comme les barres massives. Pour éviter de tenir de travers et pour un meilleur contrôle du découpage, ne pas laisser le disque trop pénétrer dans le matériau. Toujours tronçonner à plat tout autour.
- Les disques à découper usés de faible diamètre ont au même régime moins de vitesse périphérique et coupent par conséquent moins bien.
- Tronçonner les supports en double T ou cornières par étapes, voir figure 21.
- On découpe les fers feuillards ou plaques en fer comme les tubes; tirer à plat, avec longue surface de coupe.
- Toujours entailler d'abord le matériau se trouvant sous tension (matériau buté ou emmuré) légèrement sur le côté de poussée et ensuite tronçonner depuis le côté de traction pour ne pas que le disque ne se coince (22).

ATTENTION :

En cas de crainte de prétension, s'attendre au rebond du matériau et assurer au préalable une possibilité de recul.

Une attention particulière est requise dans les parcs à ferrailles, sur les lieux d'accident ou en cas de piles de matériaux en désordre. Il est difficile de prévoir les réactions d'un matériau se trouvant sous tension, en train de glisser ou de voler en éclats. Travailler avec la plus grande attention et avec un appareil impeccable.

Respecter les prescriptions en matière d'accidents du travail de la caisse d'assurance mutuelle compétente et de l'assurance.

Découper la pierre, le béton, l'amiante ou l'asphalte

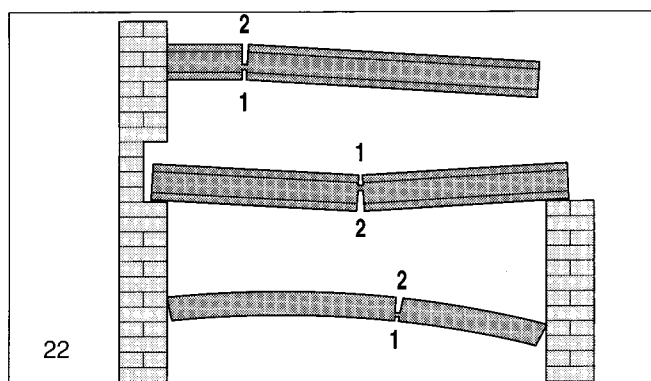
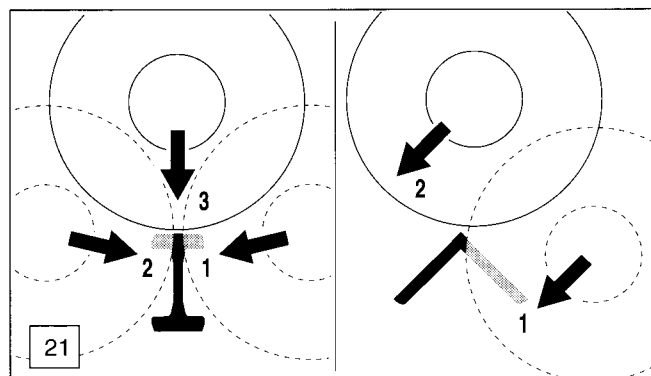
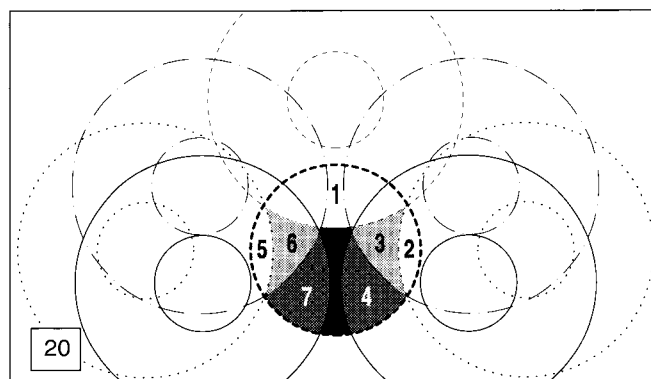
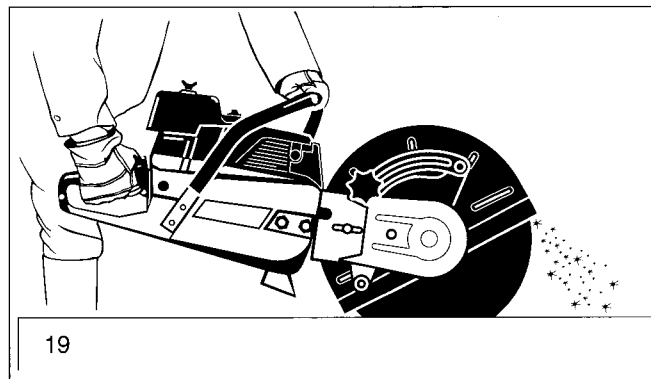
ATTENTION !

Porter l'appareil respiratoire réglementaire !

Le découpage de l'amiante ou de matières pouvant dégager des gaz toxiques ne peut être effectué qu'après en avoir fait la demande et sous la surveillance des autorités compétentes ou de la personne en étant chargée. Pour la coupe de poteaux en béton armés et précontraints, il faut se reporter aux consignes et aux normes fournies par les autorités compétentes ou par le fabricant. Le découpage de barres d'armature doit être exécuté dans l'ordre réglementaire et en respectant les consignes de sécurité correspondantes.

REMARQUE :

L'enduit à mortier, la pierre ou le béton entraînent une très fine poussière lors du découpage. Pour prolonger la durée de vie du



disque à découper (refroidissement), pour un meilleur contrôle visuel et pour éviter un dégagement de poussière excessif, il est préférable de découper au mouillé plutôt qu'à sec. Pour cela, le disque à découper doit être arrosé d'eau de manière égale des deux côtés. Dans la gamme MAKITA, vous trouverez à toute fin d'utilisation le bon équipement pour le découpage au mouillé (voir également „ACCESSOIRES SPECIAUX“.

- Nettoyer l'endroit de la coupe en éliminant les corps étrangers tels que sable, pierres, clous etc..

Par la rotation rapide du disque à découper, le matériau est arraché au point de contact et projeté en-dehors de la rainure de coupe. Basculer vers le bas le capot de protection aussi loin que possible derrière la coupe (23) pour diriger les particules de matière découpées si possible vers l'avant, dans le sens contraire de l'utilisateur.

- Marquer le tracé de coupe et tailler sur toute la longueur une rainure d'env. 5 mm de profondeur à demi-gaz que la découpeuse finira exactement.

REMARQUE :

Pour les longues coupes droites, il est recommandé d'utiliser le chariot de guidage (24, voir également „ACCESSOIRES SPECIAUX“). Celui-ci permet de conduire facilement la découpeuse en ligne droite en déployant peu de force.

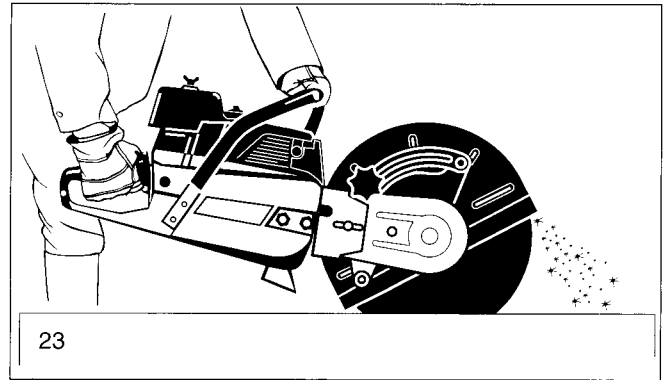
- Le découpage est exécuté par des mouvements de va-et-vient égaux.
- Lors de la pose de plaques de pierre, il suffit de tailler une rainure plate (pour éviter le dégagement de poussière inutile) afin d'enlever proprement le morceau saillant sur un support plat (25).

ATTENTION !

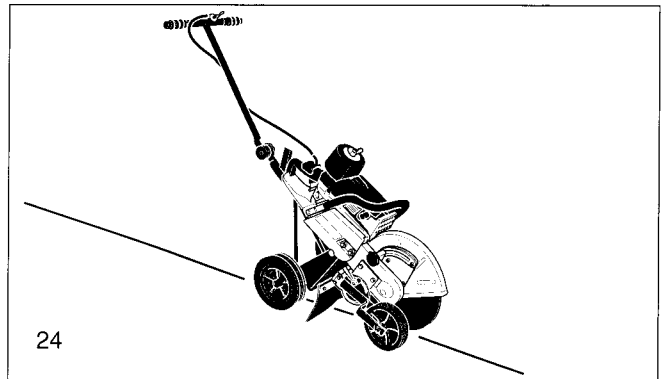
Fixer impérativement le sens de coupe et l'ordre des coupes à effectuer pour des coupes de mise à longueur, ruptures, évidements etc. pour éviter que le morceau découpé ne coince le disque à découper et pour éviter toute blessure par les morceaux qui tombent.

Transport et stockage

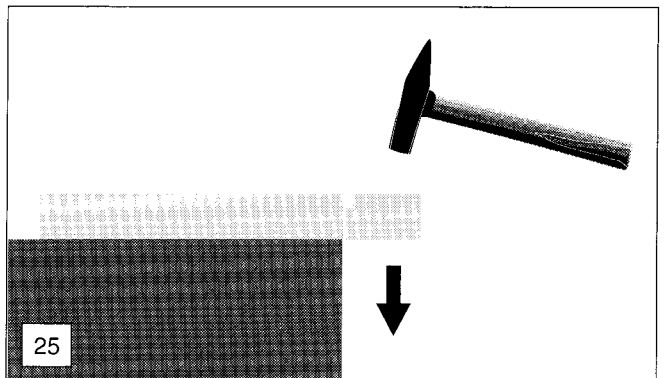
- La découpeuse doit être à l'arrêt lors du transport et lors d'un changement de lieu pendant le travail (26).
- Ne jamais porter et transporter la découpeuse pendant que le moteur ou le disque est en marche.
- Ne porter la découpeuse que par la poignée-étrier. Le disque à découper est orienté vers l'arrière (26). Ne jamais entrer en contact avec le pot d'échappement (risque de brûlure).
- Utiliser une brouette ou un chariot pour le transport sur une distance assez longue. Ne pas porter la découpeuse si possible.
- Si la découpeuse est transportée par un véhicule automobile, s'assurer que celle-ci soit dans une position sûre pour éviter l'écoulement du carburant. Toujours démonter la découpeuse pour le transport en véhicule automobile.
- Entreposer la découpeuse de manière sûre dans un local sec. Elle ne doit pas être stockée en plein air. Toujours démonter la découpeuse.
- Avant un entreposage prolongé et avant l'expédition de la découpeuse, suivre impérativement les consignes indiquées dans le chapitre „Consignes de maintenance et d'entretien périodiques“. Vider à chaque fois le carburant et faire tourner le carburateur à vide.
- Pour l'entreposage des disques à découper, procéder attentivement de manière suivante :
 - nettoyer et bien sécher.
 - toujours stocker à plat.
 - L'humidité, les températures élevées ou les variations de température doivent être évitées.
- Vérifier avant l'utilisation si les disques à découper neufs ou stockés sont endommagés.



23



24



25



26

Maintenance

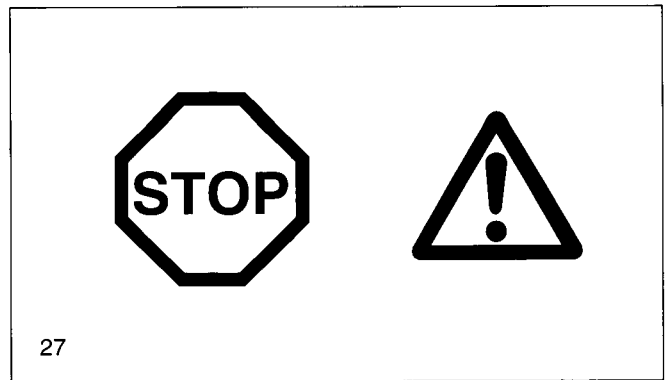
- **Pour tous les travaux de maintenance, arrêter la découpeuse (27) et retirer la fiche de la bougie!**
- Vérifier avant de commencer à travailler si l'état de la découpeuse est fiable. S'assurer que le disque à découper est monté en fonction des prescriptions.
- La machine doit fonctionner avec le moins de bruit et de gaz d'échappement possibles. Ceci suppose un bon réglage du carburateur.
- Nettoyer régulièrement la découpeuse.
- Vérifier régulièrement si le bouchon du réservoir est étanche.

Respecter les prescriptions de prévoyance contre les accidents de la corporation professionnelle correspondante et de l'assurance. N'effectuer aucune modifications de construction de la découpeuse. Vous risquez votre sécurité.

Les travaux de maintenance et de réparations à exécuter sont limités à ceux précisés dans la notice d'emploi. Tous les autres travaux doivent être effectués par le Service Après Vente de MAKITA.

N'utiliser que les pièces détachées et accessoires MAKITA d'origine.

En cas d'utilisation de pièces détachées, accessoires n'étant pas d'origine MAKITA, il faut s'attendre à un risque d'accident important. MAKITA ne pourra être tenu responsable en cas d'accidents ou de dommages avec des disques à découper ou accessoires n'étant pas d'origine.

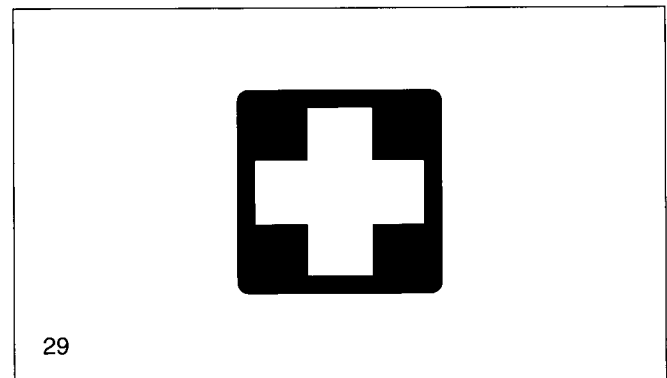


Premier secours

On devra toujours disposer sur le lieu de travail d'une boîte de secours pour le cas d'un éventuel accident. Les produits prélevés doivent immédiatement être remplacés.

Si vous appelez du secours, veuillez indiquer:

- le lieu de l'accident
- ce qui s'est passé
- le nombre de blessés
- le type de blessures
- le nom du demandeur



Caractéristiques techniques

		DPC 7000, DPC 7001	DPC 9500, DPC 9501
Cylindrée	cu. in	4.3	5.8
Alésage	in	1.85	2.16
Course	in	1.57	1.57
Puissance max.	kW	3.5	5.0
Couple max.	Nm	4.5	6.2
Vitesse de rotation à vide	rpm	2,300	2,300
Vitesse de rotation d'embrayage	rpm	3,400	3,400
Régime d'étranglement	rpm	8,000	8,000
Carburateur (à membrane)	Type	TILLOTSON HS 239 C	TILLOTSON HS 239 C
Dispositif d'allumage (avec limiteur de vitesse de rotation)	Type	électronique	électronique
Bougie d'allumage	Type	BOSCH WSR 6F	BOSCH WSR 6F
Ecartement électrodes	in	.020	.020
Consommation carburant/puissance max.	kg/h	1.5	2.1
Consommation spéc./puissance max.	g/kWh	450	450
Capacité réservoir carburant	oz	27	27
Dosage mélange (carburant/huile 2 temps)			
- avec utilisation huile MAKITA		50:1	50:1
- avec utilisation autre huile		25:1	25:1
Disque à découper pour 80 m/s ¹⁾ (homologué DSA)	in	12 / 0.79 / 0.12 ²⁾	14 / 1 / 0.18 ²⁾
Courroie		XPZ 765	XPZ 867
Poids de la découpeuse (réservoirs vides, avec disque)	lbs	26.2	29.1

¹⁾ Vitesse périphérique pour régime max.

²⁾ diamètre extérieur / trou de réception / épaisseur

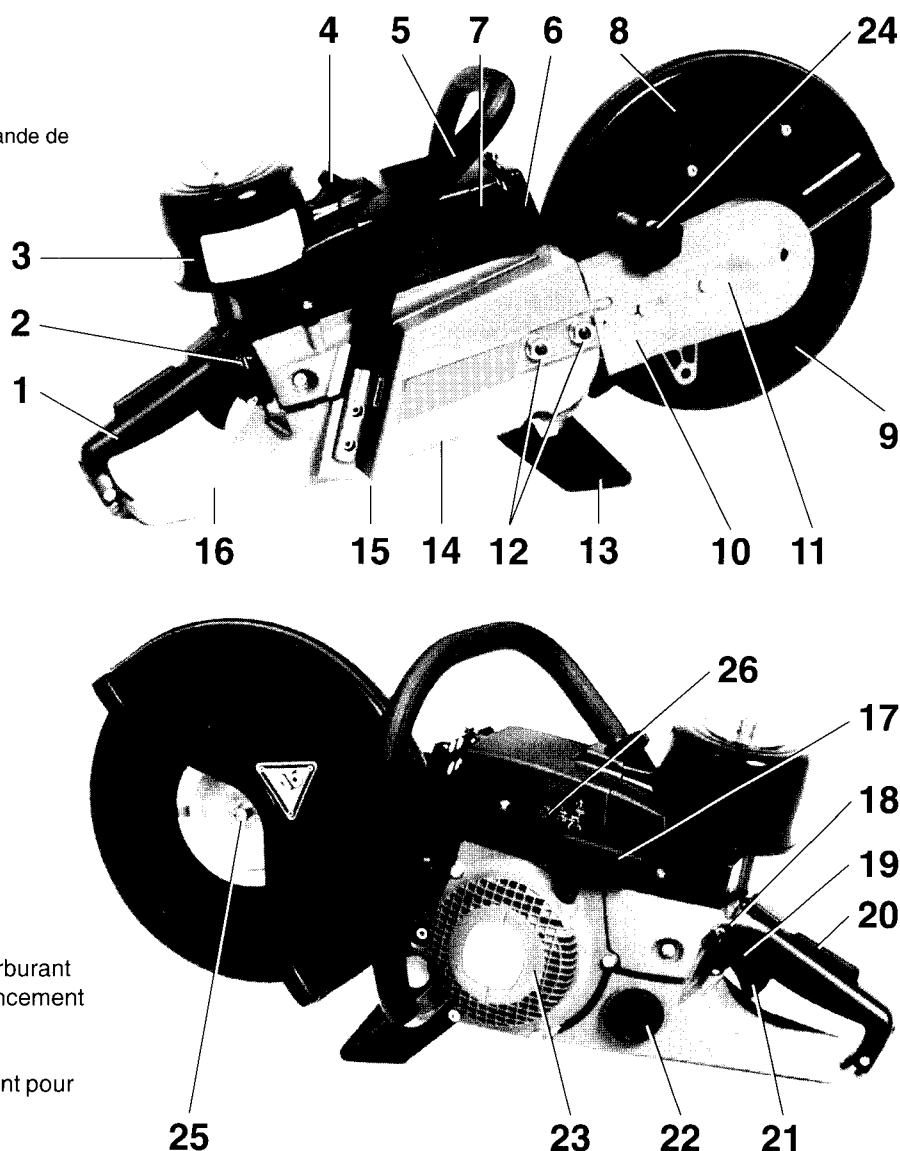
Désignation des pièces



Plaque signalétique (15)

à indiquer lors de commande de pièces de rechange!

- 1 Poignée
- 2 Choke (étrangleur)
- 3 Capot pour filtre à air
- 4 Cosse de bougie d'allumage
- 5 Poignée-étrier
- 6 Protection anti-brûlure
- 7 Silencieux
- 8 Capot de protection
- 9 Disque à découper
- 10 Tôle protège-mains
- 11 Bras de transmission
- 12 Ecrous de fixation
- 13 Béquille
- 14 Protection roue à chaîne
- 15 Plaque signalétique
- 16 Réservoir avec protège-main
- 17 Poignée de lancement
- 18 Commutateur I/STOP
- 19 Bouton de blocage pour mi-gaz
- 20 Touche de verrouillage de sécurité
- 21 Levier de gaz
- 22 Bouchon de fermeture du réservoir carburant
- 23 Carter ventilateur avec dispositif de lancement
- 24 Réglage de capot de protection
- 25 Vis de fixation du disque à découper
- 26 Soupape de mise en marche (seulement pour DPC 7001 et DPC 9501)



MISE EN ROUTE

Montage du bras de transmission et de la découpeuse

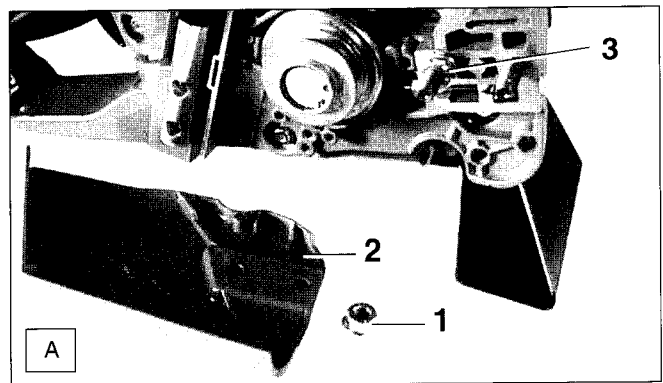


ATTENTION : Lors de tout travail sur le bras de transmission et sur la découpeuse, éteindre impérativement le moteur, tirer la cosse de bougie et porter les gants de protection.

ATTENTION : La découpeuse ne peut être mise en marche qu'après le montage complet !

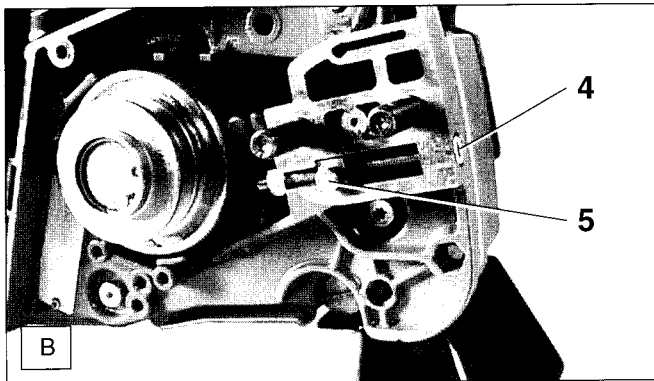
Utiliser la outillage de montage livrée (Page 27) avec la machine pour les travaux suivants.

Poser la découpeuse sur un support stable et exécuter les opérations suivantes pour le montage du bras de transmission avec le capot de protection et de la découpeuse :

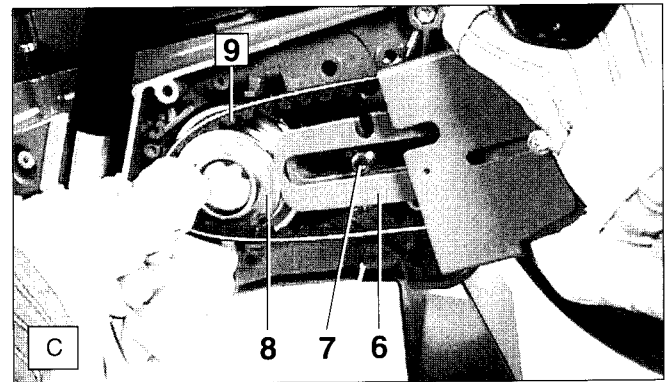


- Dévisser l'écrou de fixation (A/1).
- Retirer la protection de la roue à chaîne (A/2) et dévisser également le second écrou de fixation (A/3).

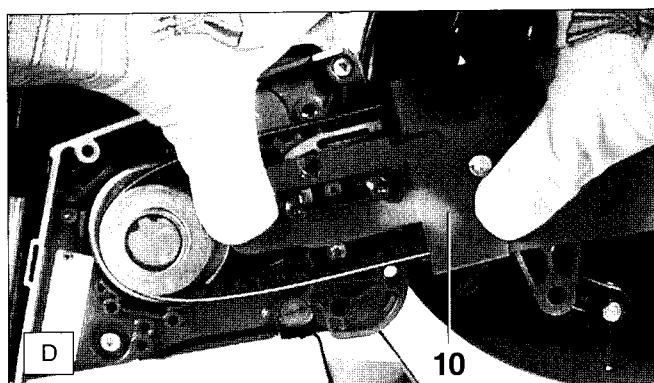
IMPORTANT : Le second écrou de fixation (A/3) sert de protection de transport. Il est vissé derrière la protection de la roue à chaîne sur le même boulon fileté.



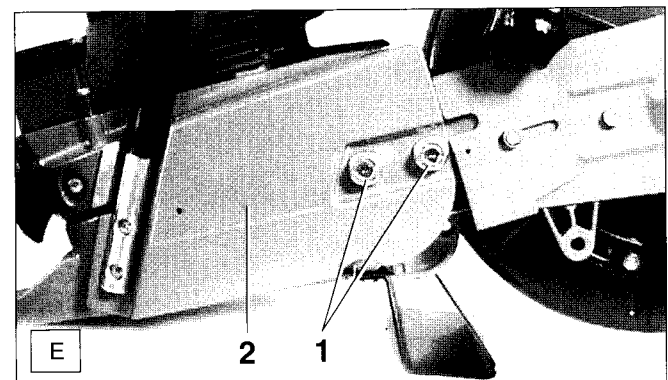
- Tourner la vis de serrage (B/4) vers la gauche (en sens horaire inverse) jusqu'à ce que le tenon (B/5) vienne buter à gauche.



- Poser le bras de transmission (C/6) sur les deux boulons filetés (C/7) et appuyer en direction de la roue à courroie (C/8).
- Tendre la courroie (C/9) sur la roue à courroie.

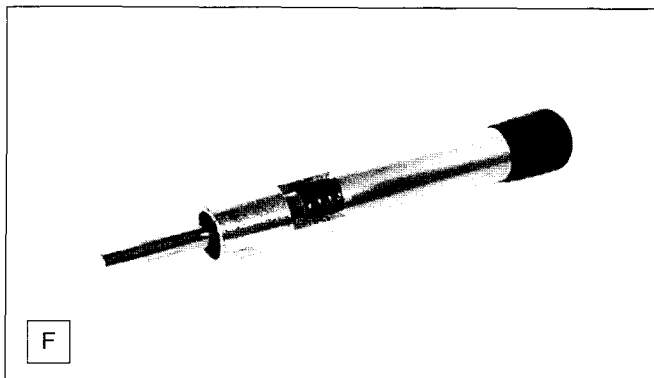


- Tirer entièrement la tôle protège-main (D/10) vers l'avant et la tenir comme sur la figure D.
- Pousser le bras de transmission à deux mains contre le carter. Veiller à ce que le tenon (B/5) s'enclenche dans le logement du bras de transmission.



- Continuer de tenir la tôle protège-main et poser la protection de la roue à chaîne (E/2).
- Visser les écrous de fixation (E/1) et serrer à la main.

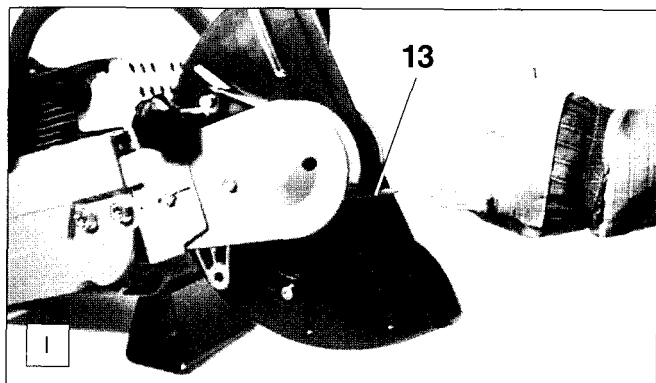
Tendre la courroie



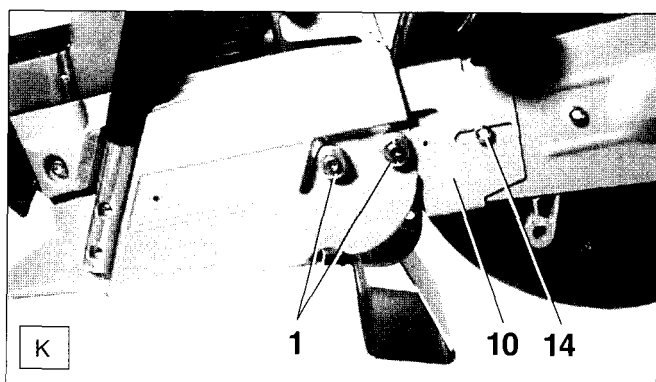
ATTENTION :

Il est indispensable de tendre correctement la courroie de manière à atteindre le rendement de coupe désirée et à garantir une consommation de carburant optimale. Une tension incorrecte de la courroie provoque l'usure prématurée de celle-ci et des disques de courroie ou détériore le logement d'embrayage.

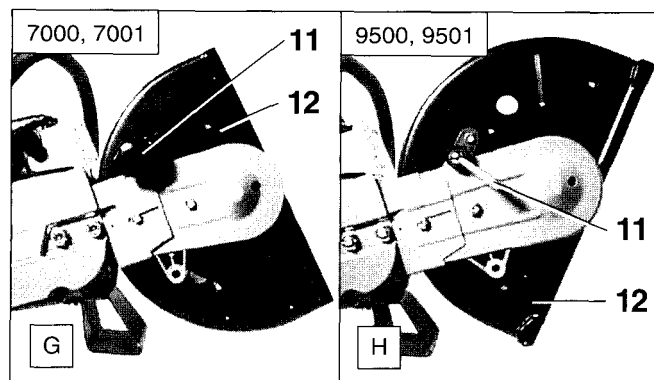
Le réglage correct de la tension de la courroie exige l'utilisation de l'appareil de contrôle, montré sur la figure F. Numéro de commande voir accessoires.



- Pour tendre la courroie, tourner la vis de serrage (B/4) vers la droite (dans le sens horaire) avec la clé à fourche fournie (I/13).

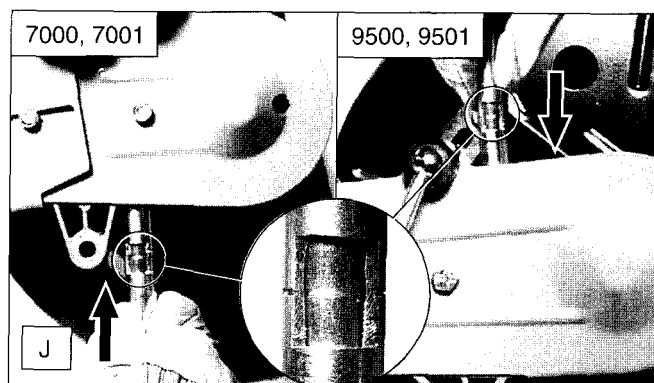


- Serrer les écrous de fixation (K/1) avec la clé universelle.
- Pousser la tôle protège-main (K/10) en direction de la protection de la roue à chaîne et serrer bien la vis (K/14).



IMPORTANT : Lors de chaque retension de la courroie, il faut impérativement desserrer les deux écrous de fixation (E/1) avant de tendre.

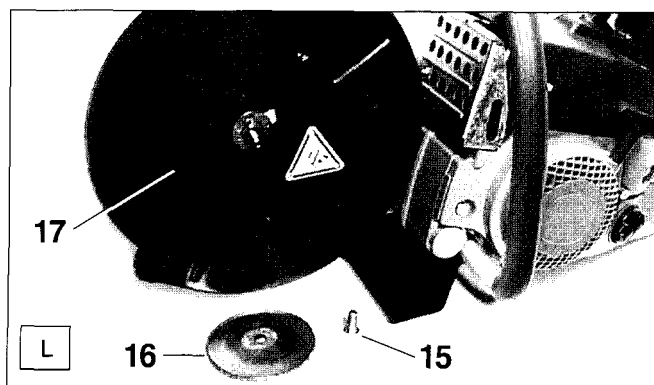
- Desserrer légèrement la poignée-étoile pour le modèle 7000, 7001 (G/11) ou la manette de serrage pour le modèle 9500, 9501 (H/11) en tournant vers la gauche (en sens horaire inverse).
- Basculer complètement le capot de protection (G/12 ou H/12) vers l'arrière (voir figure G ou H).



- Introduire l'appareil de contrôle dans le trou du bras de transmission (dispositif de découpage en position médiane: sur le modèle 7000, 7001, le trou se trouve en bas, sur le 9500, 9501 en haut dans le bras de transmission) et bien l'enfoncer.
- La courroie est correctement tendue lorsque le repère du viseur est à la même hauteur que le repère extérieur de l'appareil de contrôle (voir agrandissement sur la figure J).

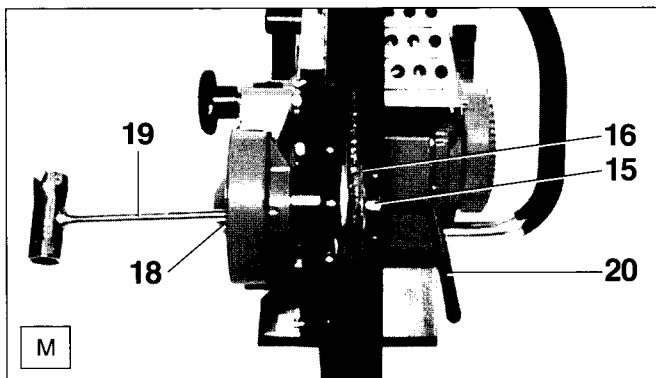
Monter le disque à découper

Vérifier si le disque à découper est en bon état, voir **CONSIGNES DE SECURITE** page 30.



- Dévisser le boulon à six pans creux (L/15) en tournant vers la droite (en sens horaire, filet à gauche) et retirer le disque de butée (L/16).
- Poser le disque à découper (L/17) sur l'arbre.

ATTENTION : Respecter impérativement le sens de rotation en cas d'utilisation de disques à découper en diamant.



IMPORTANT: Serrer bien le boulon à six pans creux pour éviter que le disque à découper ne se voile lors du découpage.

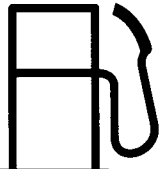

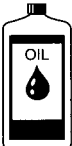
- Poser le disque de butée (M/16) sur l'arbre en observant l'aplatissement de l'arbre.

IMPORTANT: Le trou de forage du disque de butée a été percé en fonction de l'arbre. Tourner légèrement le disque de butée en le posant.

- Visser le boulon à six pans creux (M/15) en tournant vers la gauche (en sens inverse horaire, filet à gauche) et serrer à la main.
- Tourner lentement le disque à découper jusqu'à ce que l'on puisse voir le trou d'arrêt du disque de la courroie dans le trou de forage du bras de transmission (M/18).
- Enfoncer jusqu'au bout la clé universelle (M/19). L'arbre est maintenant bloqué.
- Serrer le boulon à six pans creux avec la clé à fourche (M/20).

Carburants/ravitaillement



Carburant	50:1 huile MAKITA	25:1 autre huile
		
1.0 Us-gal. (3.7 l) 2.5 Us-gal. (9.4 l) 5.0 Us-gal. (18.9 l)	2.5 floz. (75 cm ³) 6.4 floz. (189 cm ³) 12.8 floz. (378 cm ³)	5.0 floz. (150 cm ³) 12.8 floz. (378 cm ³) 25.6 floz. (756 cm ³)

Mélange carburant

Le moteur de la découpeuse est un moteur à deux temps de haute capacité. Ce moteur est alimenté par un mélange de carburant et d'huile moteur deux temps.

La conception du moteur a été réalisée pour fonctionner à l'essence normal sans plomb avec un degré d'octane minimum de 91 ROZ. Si un tel type de carburant n'était pas disponible, on peut aussi utiliser un carburant d'un degré d'octane plus élevé. Le moteur n'en subit aucun dommage.

Pour un fonctionnement optimal, ainsi que pour la protection de la santé et de l'environnement, utilisez toujours un carburant sans plomb. Il ne faut pas utiliser d'essence contenant de l'alcool avec les produits MAKITA.

Le graissage du moteur est réalisé par une huile moteur à deux temps (échelle de qualité TC-3) qui est additionnée au carburant. En usine le moteur a été réglé pour l'huile moteur deux temps très performante de MAKITA avec un rapport de mélange de 50:1. Ceci garantit une longue durée de vie et un fonctionnement fiable avec un très faible dégagement de fumées du moteur.

L'huile deux temps de haute performance MAKITA peut être livrée selon les besoins dans des bidons aux contenances suivantes:

1 l	N° de commande	980 008 607
100 ml	N° de commande	980 008 606

Au cas où on ne dispose pas d'huile deux temps de haute performance MAKITA, il faut absolument respecter avec une autre huile un rapport de mélange de 25:1, car autrement le fonctionnement parfait du moteur ne peut être garanti.

Réalisation du rapport correct du mélange:

50:1 En utilisant l'huile deux temps de haute performance MAKITA, ceci signifie mélanger 50 parties d'essence avec une partie d'huile.

25:1 En utilisant une autre huile moteur deux temps, ceci signifie mélanger 25 parties d'essence avec une partie d'huile.

REMARQUE:

Pour fabriquer le mélange essence-huile, il faut toujours mélanger préalablement le volume d'huile prévu dans la moitié du volume d'essence, puis y ajouter le volume d'essence restant. Avant de remplir la découpeuse avec le mélange, bien secouer le mélange terminé.

Il n'est pas raisonnable que par excès de conscience de sécurité d'augmenter la part d'huile au delà du rapport indiqué du mélange, le résultat serait plus de résidus de combustion ce qui polluerait l'environnement et boucherait la sortie d'échappement dans le cylindre, ainsi que le silencieux. En outre, la consommation de carburant augmenterait et la puissance diminuerait.

Stockage du carburant

Les carburants ne sont stockables que jusqu'à un certain point. N'acheter le carburant que pour 4 semaines d'utilisation.

Ne stocker le carburant que dans des fûts autorisés et signalisés en conséquence.

EVITEZ LE CONTACT AVEC LA PEAU ET LES YEUX



Les produits pétroliers, ainsi que les huiles, dégraissent la peau. Lors d'un contact répété et prolongé la peau se dessèche. Les suites peuvent être différentes maladies de peau. D'autre part, on connaît les réactions allergiques.

Le contact avec les yeux de l'huile conduit à des irritations. en cas de contact, rincer immédiatement l'oeil avec de l'eau claire. Si l'irritation continue, consulter immédiatement un médecin.

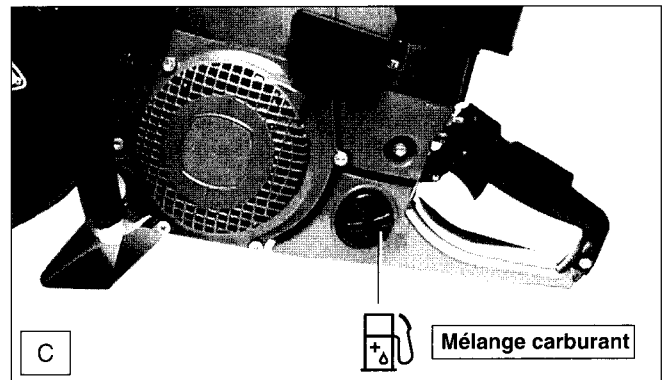
Remplissage des réservoirs



RESPECTER IMPÉRATIVEMENT LES RÈGLES DE SÉCURITÉ!
La manipulation de carburants exige une manipulation avec précaution et prudence.

Ne le faire que si le moteur est arrêté!

- Bien nettoyer autour de la zone de remplissage pour éviter qu'aucune saleté n'entre dans le réservoir.
- Poser la machine de côté sur un support plat.
- Dévisser le bouchon du réservoir et verser le mélange de carburant. Verser avec précaution pour ne pas renverser le mélange.

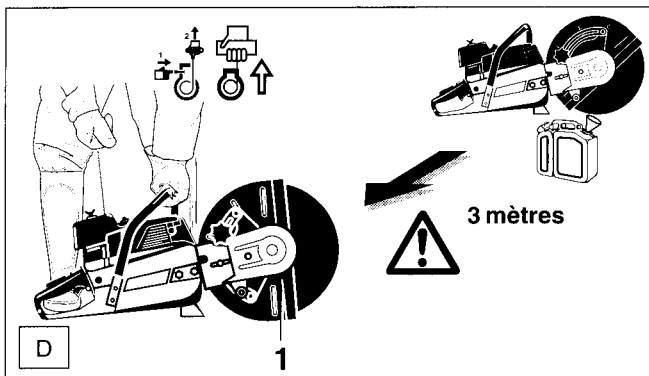


- Revisser fermement le capuchon du réservoir.
Nettoyer le capuchon et le pourtour après remplissage!

Démarrer le moteur

Les modèles DPC 7001 et DPC 9501 sont équipés d'une soupape de mise en marche semi-automatique (E/6) pour faciliter le démarrage. Le fait d'enfoncer la soupape de mise en marche réduit le travail de compression et le moteur peut alors être accéléré à une vitesse de démarrage avec un minimum de force utilisée au niveau du cordon de lancement. Étant donné que la pression s'élève sensiblement dans la chambre d'explosion à la suite des premiers allumages, la soupape de mise en marche se ferme automatiquement (le bouton ressort).

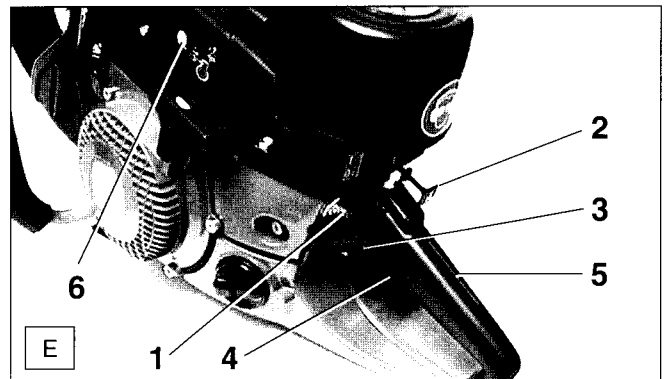
Les modèles DPC 7000 et DPC 9500 n'ont pas de soupape de mise en marche. Le processus de démarrage ou le réglage du carburateur correspond à celui des modèles DPC 7001 et DPC 9501, toutefois sans qu'il soit demandé d'appuyer sur la soupape de mise en marche.



ATTENTION : Respecter impérativement les INSTRUCTIONS DE SÉCURITÉ de la page 29. Ne démarrer la découpeuse qu'après remontage complet de l'ensemble.

- Démarrer le moteur au moins 3 m de l'endroit du réservoir.
- Prendre une position sûre et poser la découpeuse de manière à ce que le dispositif de découpage ne soit tourné dans votre direction.
- Basculer complètement le capot de protection (D/1) vers l'arrière et serrer la poignée-étoile (7000, 7001) ou la manette de serrage (9500, 9501).

Démarrage à froid



- Mettre le commutateur de court-circuit de l'allumage en position „I” (E/1).
- Tirer le levier choke (E/2).
- Saisir la poignée (la paume de la main appuyée sur le bouton d'arrêt de sécurité (E/5)).
- Appuyer sur le bouton à verrouillage (E/3) et maintenir la pression.
- Enfoncer le levier de gaz (E/4) jusqu'au bout et relâcher la pression (le levier de gaz est arrêté par le bouton à verrouillage (E/3) en position demi-gaz).

IMPORTANT : Si la découpeuse est montée sur le chariot de guidage, le levier de réglage doit être mis au deuxième cran.

- Enfoncer la soupape de mise en marche (E/6) (seulement pour DPC 7001 et DPC 9501).
- Tenir la poignée-étrier à pleine main et appuyer la découpeuse contre le sol (figure D).
- Placer la pointe du pied droit dans le protège-main arrière (figure D).
- Tirer le cordon de lancement lentement jusqu'à sentir une résistance (le piston se trouve au point mort haut).
- Puis, tirer fortement et rapidement jusqu'au déclenchement du premier allumage audible.

Attention: Ne pas retirer le cordon de lancement de plus de 50 cm et le ramener lentement à la main.

- Enfoncer ensuite le levier choke (E/2).
- Enfoncer la soupape de mise en marche (E/6) (seulement pour DPC 7001 et DPC 9501).
- Tirer à nouveau le cordon de lancement jusqu'à ce que le moteur tourne.
- Dès que le moteur tourne, actionner le levier de gaz (E/4) pour que le bouton de blocage (E/3) ressorte et pour que le moteur tourne au ralenti.

Démarrage à chaud

- Comme décrit pour le démarrage à froid, sans toutefois actionner le levier choke (E/2). Le levier choke reste enfoncé.

Comportement à suivre en cas de pannes

Si le moteur ne démarre pas même après l'avoir lancé plusieurs fois:

- Vérifier la bougie d'allumage (voir chapitre „Remplacement de la bougie d'allumage”).

Arrêter le moteur

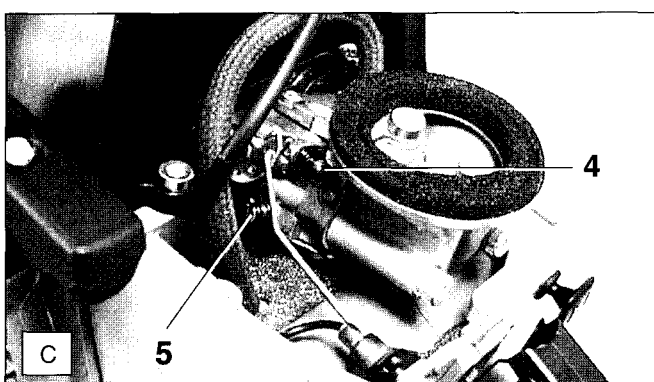
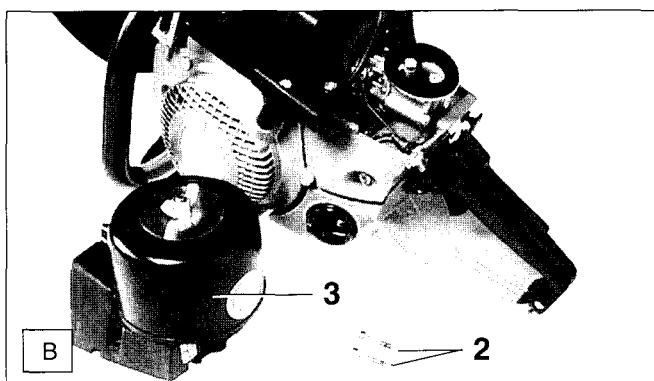
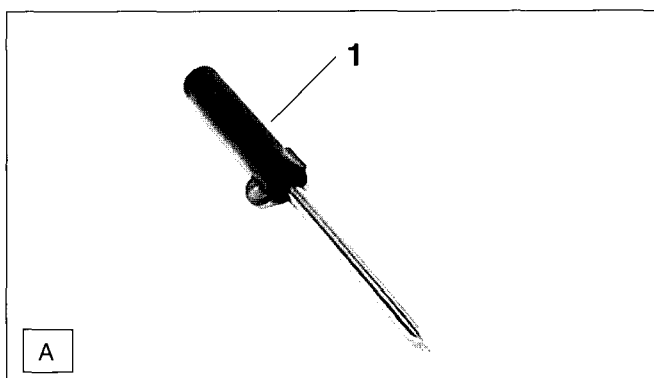
- Amener le commutateur de court-circuit (E/1) en position „O” (STOP).

Réglage du carburateur

REMARQUE:

Les découpeuses sont équipées d'un allumage électronique à limitation de vitesse de rotation. Le carburateur est en outre muni d'une buse fixe non réglable faisant office de gicleur principal.

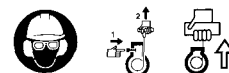
Le régime de ralenti est préréglé en usine sur env. 2.300 t/min; il se peut néanmoins que la procédure de rodage d'une nouvelle machine exige un léger rajustage du régime de ralenti.



Réglage du régime de ralenti avec un tournevis (lame de 4 mm).
Le tournevis de la photo (A/1) (N° de commande 944 340 001) dispose d'un nez coulé servant au réglage.

Les opérations suivantes sont nécessaires pour un réglage correct du régime de ralenti:

1. **Démarrez le moteur et laissez-le tourner jusqu'à ce qu'il soit chaud** (env. 3 à 5 min.).



2. **Arrêtez le moteur**

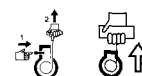


3. **Retirez le capot avec le filtre à air**

- Desserrez les deux vis (B/2) qui se trouvent à droite et à gauche du capot (B/3).

ATTENTION : L'orifice d'aspiration du carburateur est à nue ! De la poussière aspirée ou des particules de saleté qui pourraient y être tombées peuvent détériorer le moteur ! Prenez donc soin de porter des vêtements non poussiéreux et propres, d'utiliser des outils propres et de travailler à un endroit propre. Ne poser aucun chiffon ou chose similaire sur l'orifice d'aspiration du carburateur.

4. **Démarrez le moteur**



5. **Corrigez le réglage du régime de ralenti**

- Si le disque à découper tourne avec le moteur, dévissez la vis de butée (C/4) du papillon du carburateur jusqu'à ce que le disque ne tourne plus. Si le moteur s'arrête lorsqu'il tourne à vide, revissez à nouveau légèrement la vis de butée.
- Maintenant, vérifiez l'accélération du ralenti au régime maximum en actionnant brusquement le levier des gaz. Si l'accélération est trop lente, dévissez légèrement (max. 1/8 de tour) la vis de réglage (C/5) du gicleur de ralenti et resserrez la vis de butée (C/4) du papillon du carburateur.

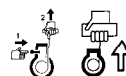
Si le moteur ne peut être réglé comme décrit au paragraphe 5, il faut procéder à un réglage de base lorsque le moteur est à l'arrêt.

6. **Réglage de base**



- Serrez avec précaution la vis de réglage (C/5) du gicleur de ralenti en la tournant à droite jusqu'à sentir la butée.
- Maintenant, dévissez la vis de réglage de 1 1/8 de tour à gauche (dans le sens contraire des aiguilles d'une montre).

- Démarrez le moteur

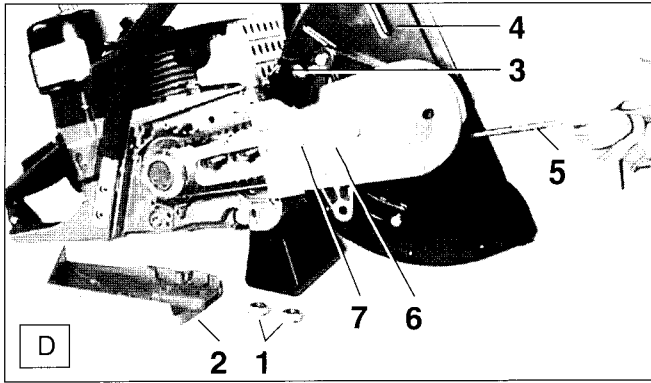


- La vis de réglage (C/5) du gicleur de ralenti permet de corriger le comportement du moteur à l'accélération. Ce faisant, plus la vis est enfoncée, plus grande sera la vitesse de moteur et inversement, moins on enfoncera la vis moindre sera la vitesse.

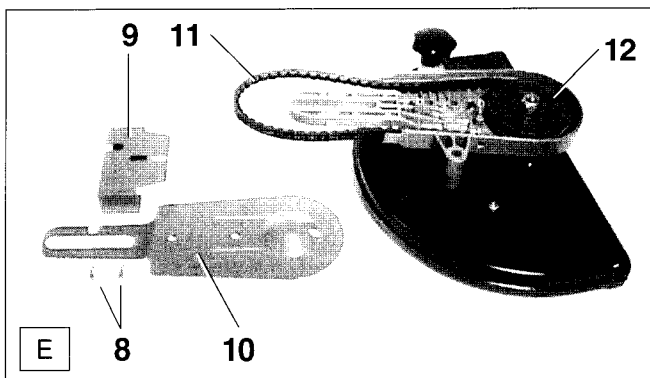
Après avoir procédé au réglage du carburateur, n'oubliez surtout pas de remettre en place le capot avec le filtre à air (B/4).

TRAVAUX DE MAINTENANCE

Remplacer la courroie



- Démonter le disque à découper (voir également „nettoyer le capot de protection”).
- Desserrer légèrement la poignée-étoile (D/3, modèle 7000, 7001) ou la manette de serrage (modèle 9500, 9501) et basculer entièrement le capot de protection (D/4) vers l'arrière.
- Desserrer légèrement les écrous de fixation (D/1) et la vis (D/7).
- Desserrer la vis de serrage avec la clé à fourche fournie (D/5) de 2 à 3 tours vers la gauche pour détendre la courroie.
- Dévisser les écrous de fixation (D/1) et retirer la protection de la roue à chaîne (D/2).
- Tourner la vis de fixation (en sens inverse horaire) jusqu'au bout.
- Retirer le dispositif de découpage (D/6).



- Desserrer et enlever les vis (E/8).
- Retirer la tôle protège-main (E/9) et enlever la tôle de protection (E/10) du bras de transmission.
- Enlever l'ancienne courroie ou les restes de courroie. Nettoyer l'intérieur du bras de transmission avec un pinceau.
- Poser la nouvelle courroie (E/11) autour de la poulie de courroie (E/12) et introduire dans le bras de transmission.



ATTENTION : Pour tout travail sur la d'écoupeuse, il est impératif d'arrêter le moteur, de retirer le disque à découper, de tirer la cosse de bougie et de porter les gants de protection!

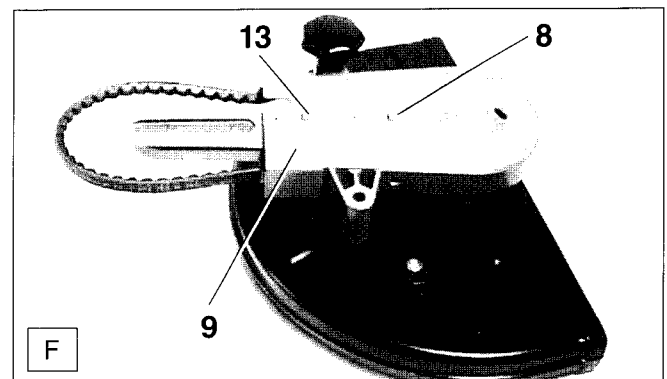
ATTENTION : Ne démarrer la découpeuse qu'après remontage complet de l'ensemble.

IMPORTANT :

Etant donné que nombreuses pièces non abordées dans ce manuel d'utilisation sont en partie des dispositifs de sécurité importants et comme toute pièce est également soumise à une certaine usure, une vérification et maintenance régulière doit être effectuée par un atelier spécialisé MAKITA pour garantir votre sécurité.

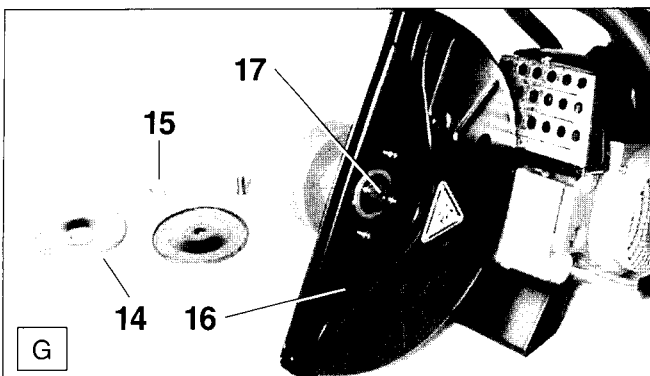


SERVICE



- Poser la tôle de protection et serrer avec la vis (F/8).
- Faire glisser la tôle protège-main (F/9) sur le bras de transmission et serrer (F/13) la vis à la main.
- Montage du bras de transmission et tendre la courroie voir chapitre „Montage du bras de transmission et du disque à découper“ ou „Tendre la courroie“.

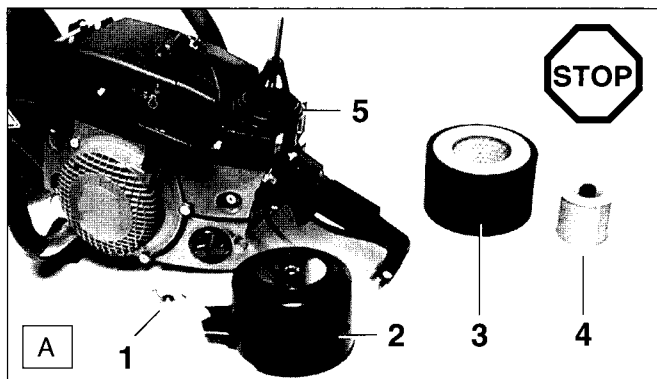
Nettoyer le capot de protection



A l'intérieur de la tôle de protection se constituent des dépôts de matière (notamment lors du découpage au mouillé) susceptibles d'empêcher la rotation du disque à découper.

- Démonter le disque à découper et enlever le second disque de butée (G/14) (sur le modèle 9500/9501, il y a un anneau adaptateur (G/15) avant le disque de butée).
- Enlever les dépôts de matière à l'intérieur du capot de protection (G/16) avec une baguette en bois ou objet similaire.
- Nettoyer l'arbre (G/17) et toutes les pièces démontées avec un chiffon.

Nettoyer / remplacer le filtre à air



- Tirer le starter pour éviter que les particules de saleté éventuellement tombées n'entrent pas dans le carburateur.
- Dévisser l'écrou à oreilles (A/1) et enlever le capot du filtre à air (A/2).
- Retirer vers le haut la cartouche de papier et le préfiltre en mousse (A/3) avec précaution.
- Nettoyer l'anneau torique (A/5) et la zone autour de celui-ci avec un pinceau, ensuite retirer avec précaution le filtre intérieur (A/4).

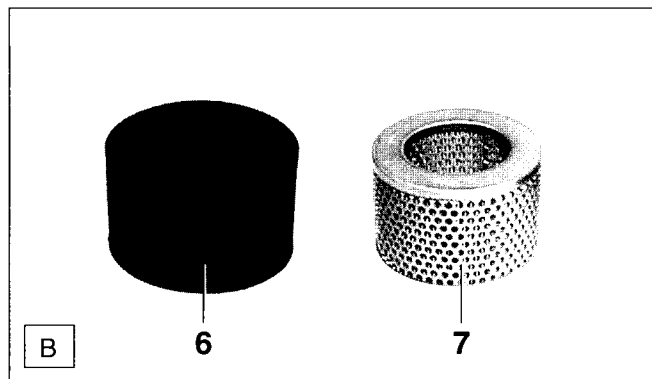
ATTENTION :

Couvrir l'orifice d'aspiration avec un chiffon propre pour éviter que des particules de saleté ne tombent dans le collecteur d'admission.

- Retirer les anneaux toriques (A/5) (un second anneau torique se trouve dans le capot du filtre à air (A/2)). Nettoyer les anneaux toriques et les surfaces de support de ceux-ci avec un chiffon propre et les remonter.
- Retirer le préfiltre en mousse (B/6) de la cartouche de papier (B/7).

Préfiltre en mousse et filtre intérieur

ATTENTION : Ne pas nettoyer le préfiltre en mousse et le filtre intérieur (A/4) avec de l'essence.



- Laver le préfiltre en mousse encrassé (B/6) et le filtre intérieur (A/4) dans une eau de savon tiède avec un produit à laver la vaisselle quelconque.

- **Bien sécher** le préfiltre en mousse et le filtre intérieur.

IMPORTANT :

Il est conseillé de nettoyer plusieurs fois par jour le préfiltre en mousse en cas de fort dégagement de poussière. Avoir toujours un préfiltre de réserve au cas où il n'est pas possible de le nettoyer sur place.

Cartouche de papier

La cartouche de papier (B/7) filtre l'air aspiré au moyen d'un système très fin de lamelles de filtrage en papier. C'est pourquoi la cartouche ne doit être en aucun cas lavée.

Remplacer la cartouche de papier régulièrement. Au plus tard après une perte de puissance, chute de régime ou fumée dans les gaz d'échappement.

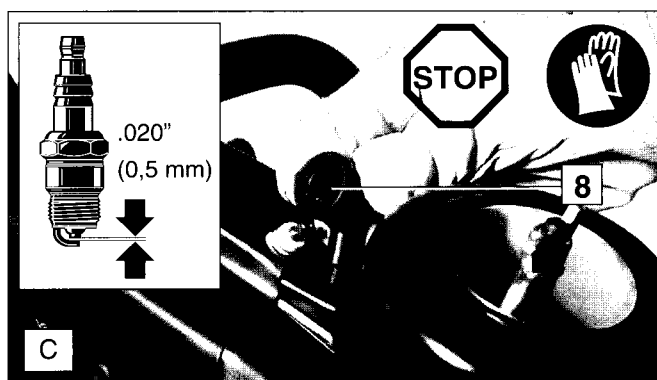
- Avant le montage du système de filtrage, contrôler l'orifice d'aspiration si il n'y a pas de particule de saleté. Les enlever le cas échéant.

ATTENTION:

Remplacer aussitôt le filtre à air endommagé !

Des morceaux de tissu déchirés et des particules de salissure grossières peuvent détériorer le moteur.

Remplacement de bougie



ATTENTION

Les bougies d'allumage ou la fiche de la bougie ne doivent pas être touchés le moteur en marche (haute tension).

N'effectuer des travaux de maintenance que si le moteur est arrêté.

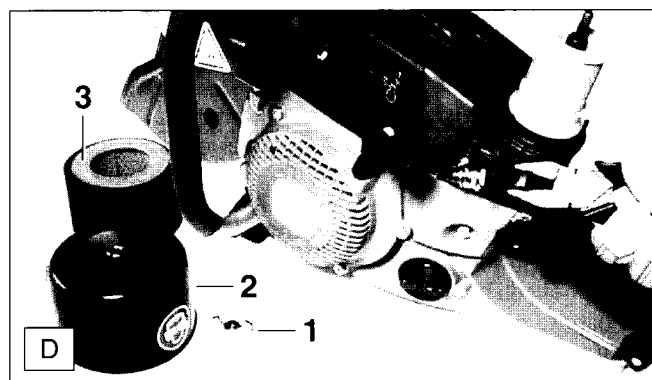
Risque de brûlure lorsque le moteur est chaud : porter absolument vos gants de protection !

En cas de détérioration du corps isolant, d'usure importante des électrodes resp. d'électrodes très encrassées ou pleines d'huile, il faut procéder à un remplacement de la bougie.

- Retirer la fiche de la bougie (C/8) de la bougie. Démontez la bougie uniquement avec la clé combinée comprise dans la fourniture.

Ecartement des électrodes

L'écartement des électrodes doit être de .020" (0,5 mm).



Vérification de l'étincelle d'allumage

- Dévisser l'écrou à oreilles (D/1) et enlever le capot du filtre à air (D/2).

- Retirer vers le haut la cartouche de papier et le préfiltre en mousse (D/3) avec précaution.

- Placer le commutateur Start/Stop en position „I“.

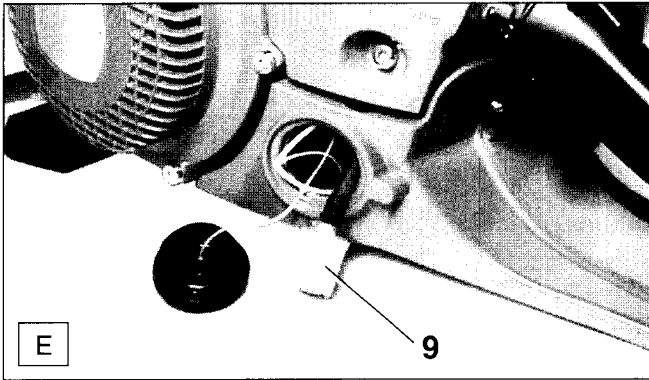
- Appuyer la bougie d'allumage avec la cosse de bougie bien en place contre la vis du capot avec une pince isolée (non pas près du trou de la bougie !).

- Tirer fortement sur le cordon de lancement.

En fonctionnement correct, l'étincelle doit être visible sur les électrodes.

ATTENTION: N'utilisez comme rechange que les bougies BOSCH WSR 6F.

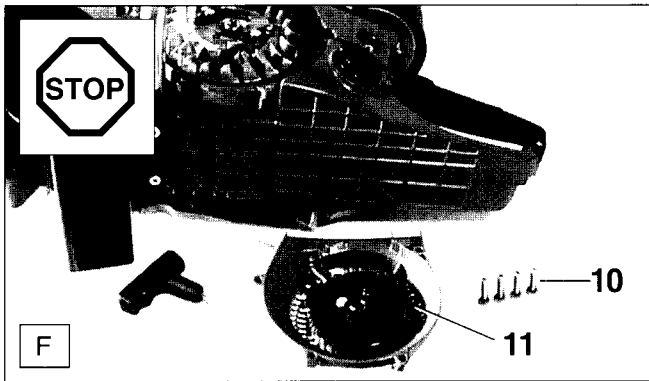
Remplacement de la crépine d'aspiration



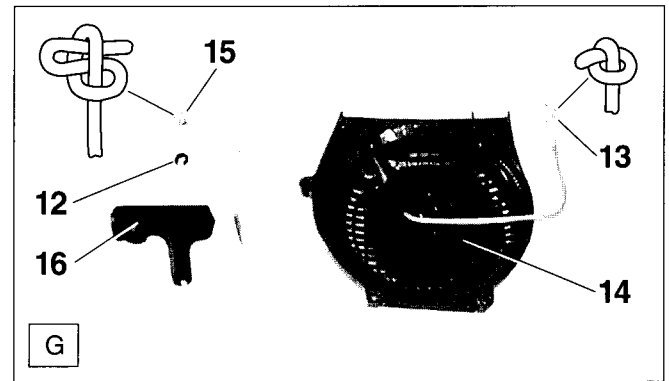
Le filtre feutre (E/9) de la crépine d'aspiration peut se boucher pendant l'utilisation. Pour assurer une alimentation sans problème du carburant vers le carburateur, la crépine d'aspiration devra être remplacée environ tous les 3 mois.

- Nettoyer le réservoir carburant. Retirer la crépine d'aspiration avec un crochet en fil de fer à travers l'orifice de fermeture du réservoir.

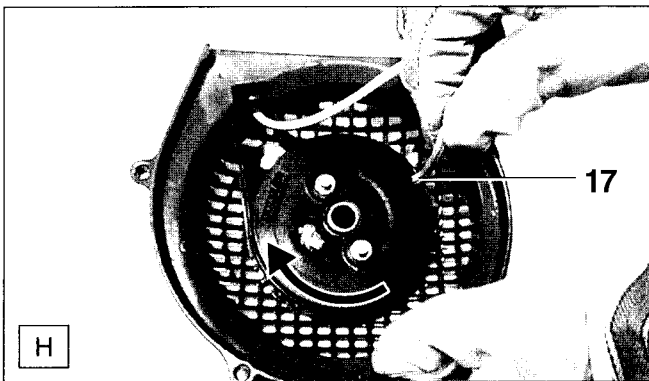
Remplacement du cordon de lancement



- Retirer les quatre vis (F/10). Enlever le carter du ventilateur (F/11).
- Enlever les anciens restes de cordon.



- Enfiler le nouveau cordon (3/16" de diam. (4 mm), 40" de long (1000 mm) comme indiqué sur la figure G (ne pas oublier le disque (G/12)) et nouer les deux extrémités.
- Insérer le noeud (G/13) dans le tambour d'enroulement (G/14).
- Insérer le noeud (G/15) dans la poignée de lancement (G/16).
- Introduire le cordon dans l'évidement (H/17) sur le tambour d'enroulement et tourner deux fois le tambour d'enroulement avec le cordon dans le sens de la flèche.
- Tenir le tambour d'enroulement de la main gauche, démêler le cordon de la main droite, tendre et tenir le cordon.
- Lâcher le tambour. Par l'effet de ressort, le cordon s'enroule sur le tambour.
- Répéter deux fois l'opération. La poignée de lancement doit être droite sur le carter du ventilateur.

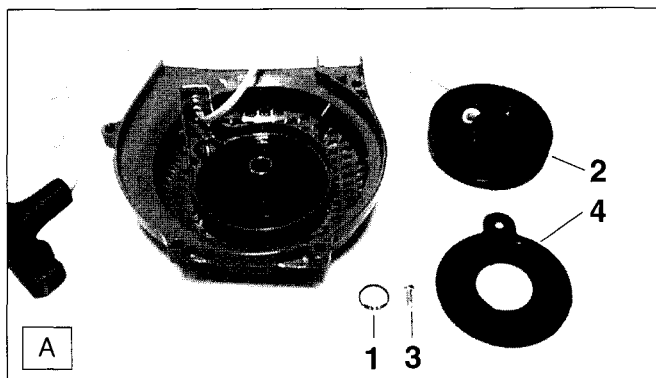


INDICATION : Si la corde de lancement est tirée fortement, le tambour d'enroulement doit pouvoir faire un moins un 1/4 de tour contre l'effort de ressort.

ATTENTION : Risque de blessure ! Bien tenir la poignée de lancement qui a été tirée vers l'extérieur. Elle peut rebondir en arrière si vous relâchez par inadvertance le tambour d'enroulement.

- Lors de la pose du carter de ventilateur, tirer légèrement si nécessaire la poignée de lancement jusqu'à ce que le dispositif de lancement s'enclenche.

Remplacement du ressort de rappel

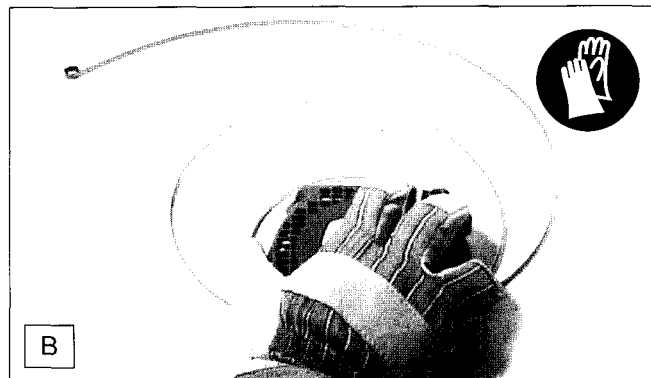


- Enlever le carter du ventilateur (voir chapitre „Remplacement de la corde de lancement“).
- Enlever le circlip (A/1) (pince pour les circlips extérieurs, voir accessoires).
- Retirer le tambour d'enroulement (A/2).
- Dévisser la vis (A/3) et retirer le couvercle du ressort (A/4) avec précaution.

ATTENTION : Risque de blessure ! Un ressort cassé peut sauter.

INDICATION :

Débarassez-vous de l'ancien ressort en recourant au recyclage.



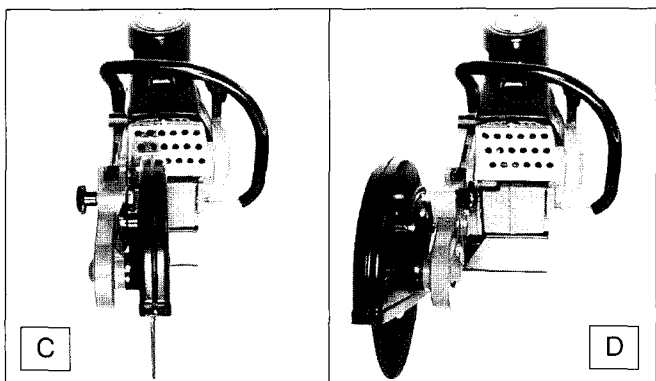
- Tenir le carter du ventilateur comme montré sur la photo B et frapper du côté creux sur un support adéquat (par exemple vieux journaux, le ressort est lubrifié de graisse).

ATTENTION : Risque de blessure ! Bien tenir le carter du ventilateur afin que l'ancien ressort sorte et puisse se détendre sans risque.

Les ressorts de rappel de rechange sont fournis tendus dans la couronne de fil. Le nouveau ressort de rappel doit être légèrement graissé avant le montage avec de la graisse multi-usage, n° de commande 944 360 000.

- Enfoncer le ressort tendu avec la couronne de fil dans le carter de ventilateur. La couronne de fil est enlevée automatiquement.
- Tourner légèrement le tambour d'enroulement en le posant jusqu'à ce qu'il s'enclenche correctement. Monter le circlip.
- Enrouler le cordon de lancement, voir chapitre „Remplacement du cordon de lancement“.
- Lors de la pose du carter de ventilateur, tirer légèrement si nécessaire la poignée de lancement jusqu'à ce que le dispositif de lancement s'enclenche.

Dispositif de coupe en position médiane position extérieure

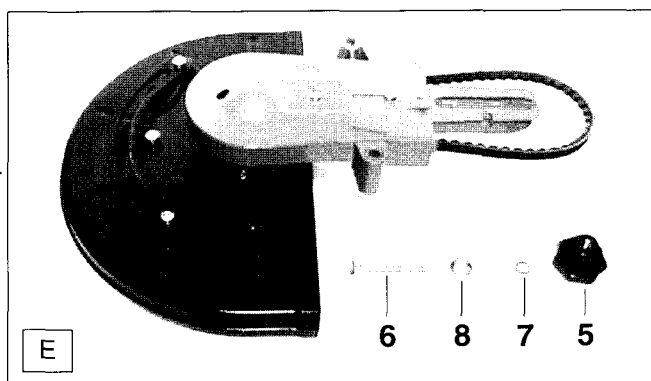


ATTENTION : Le dispositif de découpage a été monté par l'usine pour le montage en position médiane (C). En cas d'obstacles se trouvant à toute proximité du tracé du découpage (par exemple bordure ou murs), le dispositif de découpage peut être monté en position extérieure (D). N'utilisez la position extérieure de la découpeuse que pour le travail à effectuer. Remontez-la ensuite en position médiane. Quand le dispositif de découpage est en position médiane, la découpeuse a un meilleur centre de gravité empêchant ainsi une fatigue prématurée.

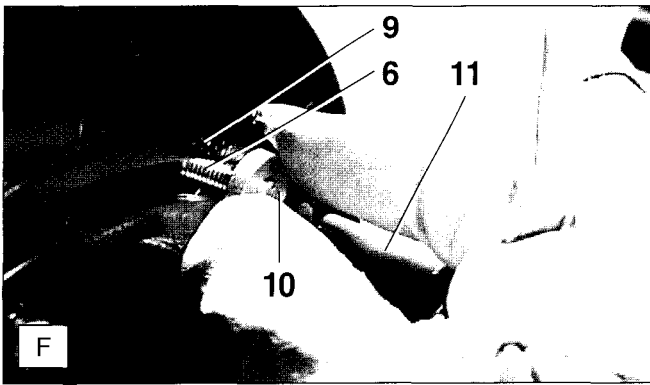
Démonter le dispositif de coupe (DPC 7000, DPC 7001)



- Retirer le disque à découper et tirer le second disque à découper de l'arbre (voir également „nettoyer le capot de protection“).
- Démontez le dispositif de découpage, voir „remplacer la courroie“.



- Déserrer la poignée-étoile (E/5) et tourner le capot de protection de manière à ce qu'un des grands trous de forage vient se placer sous la vis de réglage (E/6).
- Dévisser la poignée-étoile et retirer la rondelle élastique (E/7). Retirer la vis de réglage par le trou et enlever l'anneau d'écartement (E/8).
- Monter le dispositif de découpage avec le capot de protection en position médiane sur la machine. Pour le montage voir chapitre „Montage du bras de transmission et du disque à découper“ et „Tendre la courroie“.

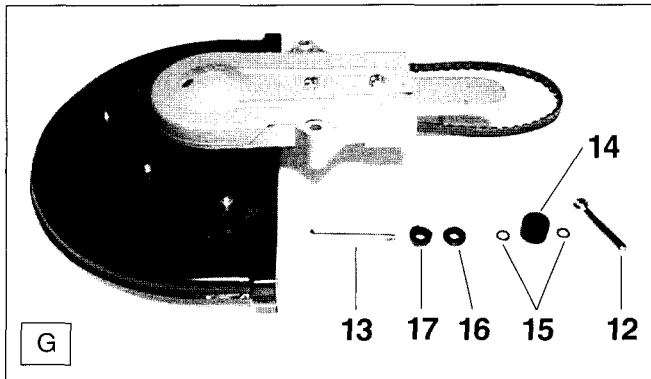


- Basculer le capot de protection vers le haut et introduire la vis de réglage (F/6) à travers le capot de protection et l'étrier (F/9) et la tenir.
- Poser et tenir l'anneau d'écartement (F/10) comme montré sur la figure F. Tourner le capot de protection jusqu'à ce que la vis de réglage vienne se poser sur le trou de réception (F/11).
- Enfoncer la vis de réglage (les bords de la vis de réglage s'appuient contre l'étrier), poser la rondelle élastique et visser la poignée-étoile.
- Monter le disque à découper, voir chapitre „Montage du disque à découper“.

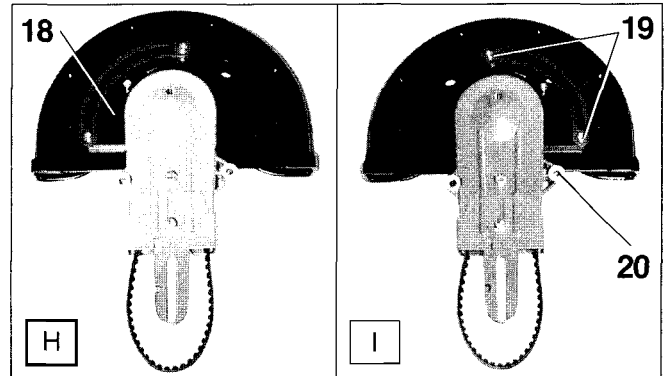
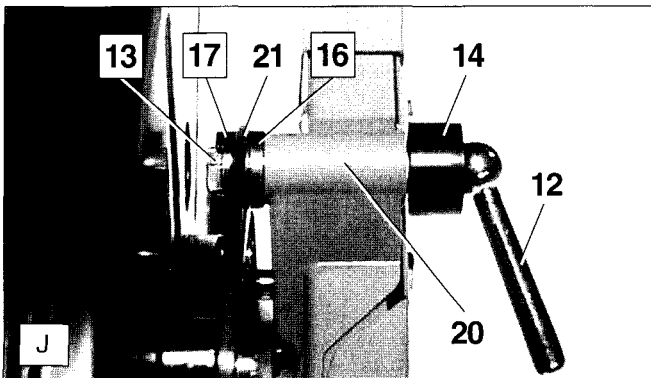
Démonter le dispositif de coupe (DPC 9500, DPC 9501)



- Enlever le disque à découper, retirer l'anneau adaptateur et le second disque de butée de l'arbre (voir également „Nettoyer le capot de protection“).
- Démontez le dispositif de découpage, voir „remplacer la courroie“.



- Desserrer la manette de serrage (G/12) et tourner le capot de protection de manière à ce que le grand trou vienne se placer sous la vis de serrage (G/13).
- Dévisser la manette de serrage et enlever le bloc-ressort (G/14) avec les deux rondelles (G/15). Retirer la vis de réglage par le trou de forage et retirer l'anneau d'écartement (G/16) avec la rondelle façonnée (G/17).



- Retirer les boulons et vis sur le segment (H/18).
- IMPORTANT :** Outillage nécessaire : clé à fourche ou polygonale de 10 mm et une pince universelle.
- Tourner le segment de 90° et revisser comme montré sur la figure I. Placer les deux vis plus longues (I/19) sur l'étrier.
- ATTENTION :** Les deux vis du segment au-dessous du bras de transmission doivent être montées de manière à ce que la tête de la vis se trouve à l'intérieur du capot de protection (écrous à l'extérieur).
- Tourner le capot de protection jusqu'à ce que le trou de forage dans la zone de l'étrier corresponde au trou du logement (I/20, J/20).
- Faire glisser la rondelle façonnée (J/17) sur la vis de réglage (J/13) (introduire la tête de la vis dans la rainure de la rondelle façonnée).
- Poser la vis (J/16) entre l'étrier (J/21) et le logement (J/20) et la tenir.
- Introduire la vis de réglage avec la rondelle façonnée à travers le capot de protection et l'enfoncer à travers l'étrier, la rondelle et le logement (avec la clavette de la rondelle façonnée dans la fente de l'étrier).
- Faire glisser le bloc-ressort (J/14) et les deux rondelles (G/15) sur la vis de réglage et visser la manette de serrage (J/12).
- Monter le dispositif de découpage avec le capot de protection en position médiane sur la machine. Pour le montage voir chapitre „Montage du bras de transmission et du disque à découper“ et „Tendre la courroie“.
- Monter le disque à découper, voir chapitre „Montage du disque à découper“.

ACCESSOIRES OPTIONNELS

Disques à découper en diamant

En vue de satisfaire les exigences en matière de sécurité, de confort de travail et de fournir une solution économique lors des découpages, la gamme MAKITA contient des disques à découper au diamant. Elles servent au découpage de toutes les matières à l'exception du métal.

La grande compacité des grains du diamant réduit l'usure et garantit ainsi une longue durabilité pour des diamètres de disques restant pratiquement identiques. Il en résulte des rendements de coupe presque constants et une rentabilité élevée. Les propriétés excellentes des disques à découper en

diamant permet ainsi un travail sans fatigue.

Les disques en métal très stables présentent des propriétés de concentricité très élevées permettant d'éviter en grande partie les vibrations du disque à découper.

L'utilisation de disques à découper au diamant réduit considérablement la durée de découpage. Il en résulte ainsi des frais d'exploitation moins élevés (consommation de carburant, pièces de rechange, réparations et pollution).

N° de commande voir „Accessoires“.

Le chariot de guidage

Le chariot de guidage MAKITA facilite une conduite droite de la découpeuse. Il permet en même temps un travail sans fatigue et peut s'adapter aux dimensions de l'utilisateur. La découpeuse peut fonctionner avec le dispositif de découpage tant en position médiane qu'extérieure.

N° de commande voir „Accessoires“.

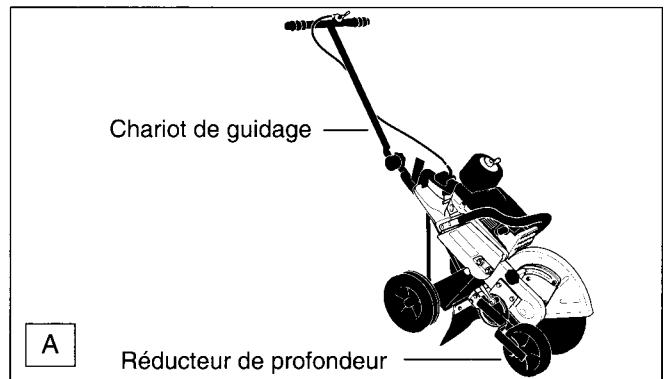
Pour faciliter le ravitaillement en essence en cas d'utilisation du chariot de guidage, il est recommandé de monter un bouchon de réservoir angulaire sur le réservoir.

N° de commande voir „Accessoires“.

Le réducteur de profondeur (accessoire optionnel) est un plus en matière de confort de travail et de précision de coupe. Il permet de respecter exactement la profondeur de coupe exigée.

N° de commande voir „Accessoires“.

Pour éviter les poussières pendant le découpage et pour un meilleur refroidissement du disque à découper, MAKITA offre selon le mode d'utilisation de la découpeuse plusieurs variantes permettant le mouillage du disque à découper à l'eau.



Le réservoir d'eau

Le réservoir d'eau est prévu pour être monté sur le chariot de guidage. Son importante capacité vous permet de l'utiliser lorsque vous changez en permanence d'endroit. Pour remplir le réservoir ou utiliser des réservoirs de rechange, il suffit simplement de soulever le chariot de guidage.

Tous les branchements nécessaires et les conduites d'eau sont fournis. Le logement prévu sur le chariot de guidage et sur la découpeuse permet un montage rapide et très facile à effectuer.

N° de commande voir „Accessoires“.

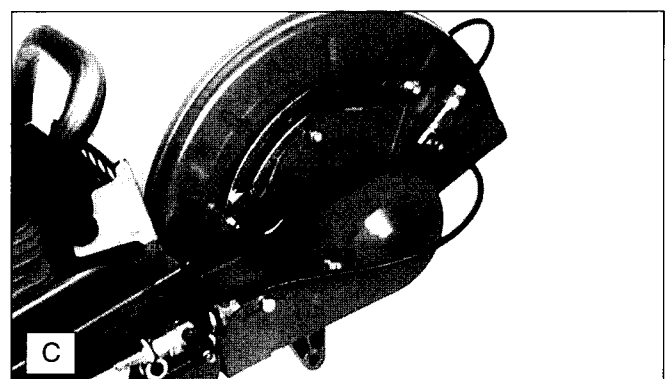


La conduite d'eau au réseau / réservoir

La conduite d'eau sous pression est conçue pour être montée sur la découpeuse. Celle-ci peut être utilisée en relation avec le chariot de guidage. La conduite d'eau sous pression convient particulièrement lorsque vous travaillez avec la découpeuse de manière stationnaire. Au moyen d'un accouplement de rupture rapide, l'eau peut être alimentée soit au moyen du réseau d'alimentation d'eau soit par le réservoir d'eau sous pression.

Tous les branchements nécessaires et les conduites d'eau sont fournis. Le logement prévu sur le chariot de guidage et sur la découpeuse permet un montage rapide et très facile à effectuer.

N° de commande voir „Accessoires“.



Indications de maintenance et d'entretien périodiques

Pour obtenir une longue durée de vie et pour éviter des détériorations, il faut effectuer régulièrement les travaux de maintenance décrits ci-après. Des demandes en garantie ne pourront être acceptées que si les travaux ont été effectués régulièrement et d'une façon ordonnée.

Les utilisateurs des découpeuses ne sont pas autorisés à effectuer les travaux de maintenance et d'entretiens décrits dans la présente documentation. Les travaux non compris dans cette liste ne doivent être exécutés que dans un atelier spécialisé de MAKITA.

			Page
Généralités	Découpeuse dans l'ensemble	Nettoyer l'extérieur et vérifier si elle n'est pas détériorée. En cas de détériorations, faire effectuer immédiatement les réparations par un spécialiste.	
	Disque à découper	Contrôler régulièrement si elle n'est pas endommagée ou usée	30
	Embrayage Capot de protection	Faire vérifier dans un atelier spécialisé Nettoyer	41
Avant toute mise en route	Disque à découper	Vérifier s'il n'est pas détérioré	30
	Courroie	Contrôler la tension de courroie (Appareil de contrôle fourni)	37
	Commutateur STOP, Touche de blocage de sécurité, Lever de gaz Fermeture réservoir	Vérifier le fonctionnement Vérifier l'étanchéité	39
Journellement	Filtre à air	Nettoyer	42
	Vitesse de rotation à vide	Contrôler (Le disque à découper ne doit pas tourner)	40
Toutes les semaines	Carter du ventilateur	Nettoyer pour garantir un parfait guidage de l'air de refroidissement.	35
	Cordon de lancement	Vérifier s'il n'est pas détérioré	43
	Courroie	Contrôler la tension de courroie, vérifier si elle n'est pas endommagée ou usée.	37
	Bougie	Vérifier, le cas échéant, remplacer	42
	Silencieux	Vérifier s'il n'est pas encrassé.	35
Tous les 3 mois	Crépine d'aspiration	Remplacer	43
	Réservoirs carburant	Nettoyer	
Stockage	Découpeuse dans l'ensemble	Nettoyer l'extérieur et vérifier si elle n'est pas détériorée. En cas de détériorations, faire effectuer immédiatement les réparations par un spécialiste.	37
	Disque à découper	Démonter et nettoyer	
	Réservoirs carburant	Vidanger et nettoyer	
	Carburateur	Le laisser se vider en marche	

Service d'atelier, pièces de rechange et garantie


Maintenance et réparations

L'entretien et la remise à neuf des découpeuses modernes ainsi que des éléments importants pour la sécurité exigent une certaine qualification et un atelier spécialisé équipé des outils spéciaux et des appareils de contrôle adéquats.

MAKITA conseille donc de faire exécuter tous les travaux de maintenance non décrits dans la notice d'emploi par un atelier spécialisé MAKITA. Le spécialiste dispose de la formation, de l'expérience et des équipements nécessaires pour vous apporter chaque fois la solution économique la plus avantageuse et vous apporte une aide d'assistance en pratique et en conseil.

Veillez relever sur le répertoire des points de service ci-jointe l'atelier spécialisé le plus proche de chez vous ou adressez vous à la représentation générale indiquée au dos de cette notice ou à l'importateur indiqué. Vous y recevrez l'adresse de l'atelier spécialisé la plus proche de chez vous.

Pièces de rechange

Le fonctionnement permanent fiable et la sécurité de votre appareil dépend aussi de la qualité des pièces de rechange utilisées. N'utilisez que des pièces de rechange d'origine MAKITA, signalées par 

Seules les pièces d'origine proviennent de la chaîne de production de l'appareil et vous assurent donc la qualité optimale du matériau, du respect des dimensions et du fonctionnement.

Les pièces accessoires et de rechange d'origine vous sont proposées par votre vendeur spécialisé. Il dispose des listes de pièces de rechange nécessaires pour déterminer le numéro de la pièce de rechange nécessaire, et vous informera à fur et à mesure des améliorations de détail et des nouveautés dans l'offre des pièces de rechange.

Veillez aussi noter, qu'en utilisant des pièces qui ne sont pas d'origine de MAKITA vous perdez tout droit à la garantie de l'organisation MAKITA.

Au cas où des pièces non d'origine provoqueraient de détériorations, nous n'assurerons pas les frais qui en découleraient.

Garantie

MAKITA garantit un qualité irréprochable et supporte les frais pour une amélioration par remplacement des pièces défectueuses dans le cas de défauts de matériel ou de fabrication qui se présentent dans le délai de garantie après le jour de vente. Veuillez noter que dans certains pays, il existe des conditions de garantie spécifiques. Adressez vous, en cas de doute, à votre vendeur. En tant que vendeur du produit, il doit vous assurer la garantie.

Nous vous prions de comprendre que nous ne pouvons pas assurer la garantie pour les causes de détériorations suivantes:

- Non respect de la notice d'emploi
- Non exécution des travaux de maintenance et réparations nécessaires
- Détériorations par suite d'un réglage non conforme du carburateur
- Usure normale
- Surcharge manifeste par dépassement permanent de la limite supérieure de la puissance
- Utilisation de découpeuses non d'origine MAKITA
- Forçage, traitement non conforme, emploi non autorisé ou cas d'accidents
- Détériorations de surchauffe causées par des encrassements du carter du ventilateur.
- Interventions de personnes non compétentes ou essais de réparations non conformes
- Utilisation de pièces de rechange non appropriées resp. de pièces non d'origine MAKITA, dans la mesure où elles sont sources de détériorations
- Utilisation de produits de fonctionnement inadaptés ou superposés
- Détériorations provenant de conditions d'utilisation du magasin de location

Les travaux de nettoyage, d'entretien et de réglage ne sont pas reconnus comme prestations de garantie. Tout travail au titre de la garantie est à effectuer par le vendeur spécialiste MAKITA.

Recherche de pannes

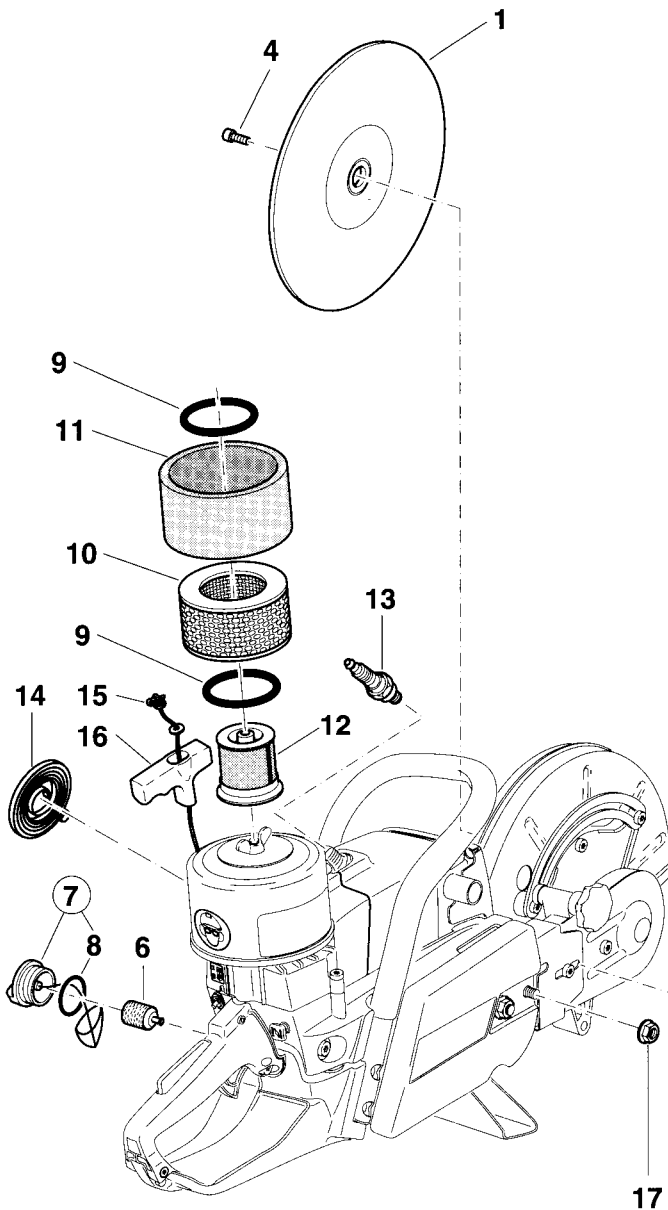
Panne	Système	Observation	Origine
La découpeuse ne démarre pas	Embrayage	Moteur tourne	Panne au niveau de l'embrayage
Moteur ne démarre pas ou démarre difficilement	Système d'allumage	Allumage existe Pas d'allumage	Défaut dans l'alimentation du carburant, système de compression, défaut mécanique Commutateur STOP enclenché, défaut ou court-circuit dans le câblage, fiche de bougie, bougie défectueuse
	Alimentation carburant	Réservoir carburant rempli	Choke en mauvaise position, carburateur défectueux, crépine d'aspiration bouchée, conduite de carburant sectionnée ou coincée
	Système de compression	A l'intérieur de l'appareil	Joint du pied de cylindre défectueux, bagues à lèvres endommagées, segments de cylindre ou de pistons endommagés
	Défaut mécanique	A l'extérieur de l'appareil Lanceur n'accroche pas	Bougie n'est pas étanche Ressort dans le démarreur brisé, pièces brisées à l'intérieur du moteur
Problèmes de démarrage à chaud	Carburateur	Carburant dans réservoir Étincelle existante	Réglage du carburateur non correct
Moteur démarre, mais s'arrête immédiatement après	Alimentation carburant	Carburant dans réservoir	Réglage du ralenti non correct, crépine d'aspiration ou carburateur encrassé Aération réservoir défectueux, conduite carburant interrompue, câble défectueux, commutateur STOP endommagé, Soupape de mise en marche encrassée (DPC 7001, DPC 9501)
Manque puissance	Plusieurs systèmes peuvent être mis en cause	Appareil tourne au ralenti	Filtre à air encrassé, faux réglage du carburateur, silencieux bouché, tuyau d'échappement des gaz dans le cylindre est bouché

Extrait de la liste des pièces de rechange

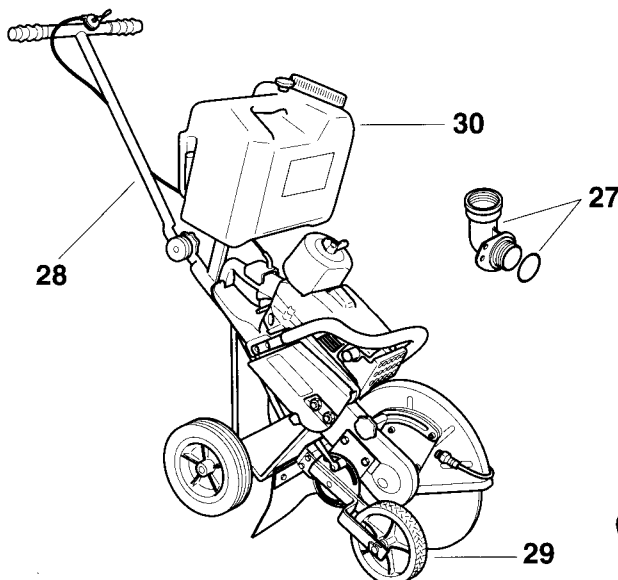
N'utilisez que des pièces de rechange d'origine MAKITA. Pour les réparations et la rechange pour d'autres pièces, votre atelier spécialisé MAKITA est compétent.

DPC 7000, DPC 7001

DPC 9500, DPC 9501

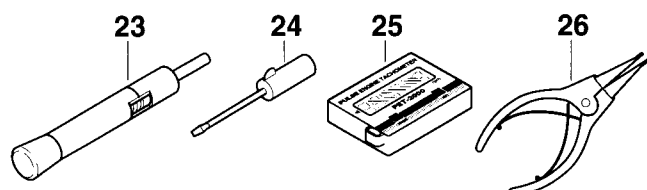


Pos.	N° MAKITA	pcs.	Désignation
Disque à découper à la résine			
Modèle 7000, 7001			
1	965 210 611	1	Pour l'acier, diam. 12" (300 mm)
1	965 210 621	1	Pour la pierre, diam. 12" (300 mm)
Modèle 9500, 9501			
1	965 210 212	1	Pour l'acier, diam. 14" (350 mm)
1	965 210 222	1	Pour la pierre, diam. 14" (350 mm)
4	907 310 204	1	Vis cylindrique M10x20L
5	965 300 440	1	Courroie XPZ 867 (modèle 9500, 9501)
5	965 300 450	1	Courroie XPZ 765 (modèle 7000, 7001)
6	963 601 120	1	Crépine d'aspiration
7	965 450 301	1	Capuchon cpl. réservoir essence
8	963 232 045	1	O-Ring 32x4,5
9	963 257 070	2	O-Ring 57x7
10	122 173 140	1	Cartouche de papier
11	001 173 000	1	Préfiltre en mousse encrassé
12	001 173 020	1	Filtre intérieur
13	965 603 014	1	Bougie BOSCH WSR-6F
14	123 163 013	1	Ressort d'appel
15	122 164 010	1	Cordon de lancement ø .016 x 39.3" (4 x 1000 mm)
16	965 402 262	1	Poignée de lancement
17	923 210 002	2	Ecrou hexag. M10
18	944 500 791	1	Clé allen 8 mm
19	944 500 630	1	Clé allen 5 mm
20	941 717 191	1	Clé combinée Ouverture 17/19
21	941 717 001	1	Clé combinée Ouverture 17
22	940 827 000	1	Tournevis coudé T27



Accessoires (non compris dans la livraison)

23	950 100 500	1	Appareil de contrôle de tension courroie
24	944 340 001	1	Tournevis pour carburateur
25	950 233 210	1	Tachymètre
26	946 101 010	1	Pince pour anneaux d'étanchéité ex.
27	010 114 040	1	Bouchon de réservoir angulaire cpl.
28	957 398 600	1	Chariot de guidage (sans découpeuse, pos. 29 et 30)
29	957 398 110	1	Réducteur de profondeur cpl.
30	957 398 120	1	Réservoir d'eau pour chariot de guidage
-	957 802 600	1	Réservoir d'eau sous pression cpl.
-	398 365 150	1	Conduite d'eau au réseau d'alimentation cpl.
-	949 000 031	1	Nourrice combinée (5l carburant, 2,5l huile)



• **FACTORY SERVICE CENTERS IN THE USA**
 • **LISTE D'ATELIERS SPÉCIALISÉS AUX ETATS-UNIS**



ARIZONA

3707 E. Broadway Rd., Ste. 6
 Phoenix, AZ 85040
 (602) 437-2850

ARKANSAS

Shackleford Shopping Center
 240 South Shackleford, Ste. C
 Little Rock, AR 72211
 (501) 224-5733

CALIFORNIA

41850 Christy St.
 Fremont, CA 94538
 (510) 657-9881

1421 N. Clovis Ave., Ste. 112
 Fresno, CA 93727
 (209) 252-5166

14930-B Northam St.
 La Mirada, CA 90638
 (714) 522-8088

4554 Roseville Rd., Ste. E
 North Highlands, CA 95660
 (916) 331-6211

392 S. Arrowhead Ave., #A-1
 San Bernardino, CA 92408
 (909) 885-1289

7674 Clairemont Mesa Blvd.
 San Diego, CA 92111
 (619) 278-4471

180 S. Spruce Ave., Unit D
 S. San Francisco, CA 94080
 (415) 875-1002

1714 E. McFadden Avenue, Unit M
 Santa Ana, CA 92705
 (714) 667-5066

16735 Saticoy St., Ste. 105
 Van Nuys, CA 91406
 (818) 782-2440

COLORADO

11839 E. 51st. Ave.
 Denver, CO 80239
 (303) 371-2850

CONNECTICUT

97 Hammer Mill Rd., Rocky Hill
 Hartford, CT 06067
 (203) 257-9293

FLORIDA

3184 N. Andrews Ave. Ext.
 Pompano Beach, FL 33064
 (305) 970-4722

Thompson Center Waters
 5501 W. Waters Ave., Ste. 406
 Tampa, FL 33634
 (813) 886-8292

7005 University Blvd.
 Winter Park, FL 32792
 (407) 677-4100

GEORGIA

4680 River Green Parkway NW
 Duluth, GA 30136
 (404) 476-8911

HAWAII

99-1342A Koaha Pl.
 Aiea, HI 96701
 (808) 487-5933

ILLINOIS

1450 Feehanville Dr.
 Mt. Prospect, IL 60056
 (708) 297-3100

INDIANA

6330 E. 75th St., Ste. 154
 Indianapolis, IN 46250
 (317) 842-3286

KENTUCKY

4108 Preston Highway
 Louisville, KY 40213
 (502) 366-1007

LOUISIANA

5626 Jefferson Hwy.
 Harahan, LA 70123
 (504) 733-4138

MARYLAND

7466 New Ridge Rd. #23
 Hanover, MD 21076
 (410) 684-2211

MASSACHUSETTS

105 Forbes Blvd.
 Mansfield, MA 02048
 (508) 339-5300

MICHIGAN

10021 Telegraph Rd.
 Redford, MI 48239
 (313) 535-0020

MINNESOTA

6427 Penn Ave. South
 Richfield, MN 55423
 (612) 869-5199

MISSOURI

121 E. Tenth Ave.
 North Kansas City, MO 64116
 (816) 421-1606

9000 Watson Rd.
 Crestwood, MO 63126
 (314) 843-5775

NEBRASKA

4223 S. 84th St.
 Omaha, NE 68127
 (402) 597-2925

NEVADA

Renaissance West Shopping Ctr.
 4001 S. Decatur Blv., #3
 Las Vegas, NV 89103
 (702) 368-4277

NEW JERSEY

251 Herrod Blvd.
 Dayton, NJ 08810
 (609) 655-1212

NEW MEXICO

3351 Candelaria Rd. N.E.
 Albuquerque NM 87107
 (505) 881-4619

NEW YORK

160 Holtz Rd.
 Cheektowaga, NY 14225
 (716) 634-1941

NORTH CAROLINA

3501-G. S. Tyron St.
 Charlotte, NC 28217
 (704) 527-0611

OHIO

6253 E. Main St.
 Columbus, OH 43213
 (614) 860-0222

6379 Pearl Rd.
 Parma Heights, OH 44130
 (216) 843-7555

2300 E. Kemper Rd., Ste. #11
 Sharonville, OH 45241
 (513) 771-0788

OKLAHOMA

2122 W. Reno
 Oklahoma City, OK 73107
 (405) 232-8110

OREGON

828 N.W. 19th Ave.
 Portland, OR 97209
 (503) 222-1823

PENNSYLVANIA

Springwater Plaza
 364 Wilmington W. Chester Pike
 Glen Mills, PA 19342
 (215) 459-4122

7513 McKnight Rd.
 Pittsburgh, PA 15237
 (412) 366-6363

TENNESSEE

809 2nd. Ave. South
 Nashville, TN 37210
 (615) 242-2326

TEXAS

12801 Stemmons Fwy., Ste. 809
 Farmers Branch, TX 75234
 (214) 243-1150

10775 Kempwood Dr., Ste. 4
 Houston, TX 77043
 (713) 690-6800

3453 IH-35 North, Ste. 101
 San Antonio, TX 78219
 (210) 228-0676

UTAH

360 W. Lawndale Dr., 2500 So.
 Salt Lake City, UT 84115
 (801) 487-1285

VIRGINIA

TRC Center
 230 Clearfield Ave., Ste. 123
 Virginia Beach, VA 23462
 (804) 552-0124

WASHINGTON

22653 83rd. Ave., South
 Kent, WA 98032
 (206) 395-8055

WISCONSIN

Lincoln Plaza Shopping Ctr.
 2245 S. 108th St.
 West Allis, WI 53227
 (414) 541-4776

Makita U.S.A., Inc.
14930-C Northam Street
La Mirada, CA 90638-5753

Makita Canada Inc.
DOLMAR Division
1950 Forbes Street
Whitby, Ontario
Canada, L1N 7B7

Form: 995 704 325 (195 0.5 GB, F)
Specifications subject to change without notice
Changements sans préavis

Free Manuals Download Website

<http://myh66.com>

<http://usermanuals.us>

<http://www.somanuals.com>

<http://www.4manuals.cc>

<http://www.manual-lib.com>

<http://www.404manual.com>

<http://www.luxmanual.com>

<http://aubethermostatmanual.com>

Golf course search by state

<http://golfingnear.com>

Email search by domain

<http://emailbydomain.com>

Auto manuals search

<http://auto.somanuals.com>

TV manuals search

<http://tv.somanuals.com>