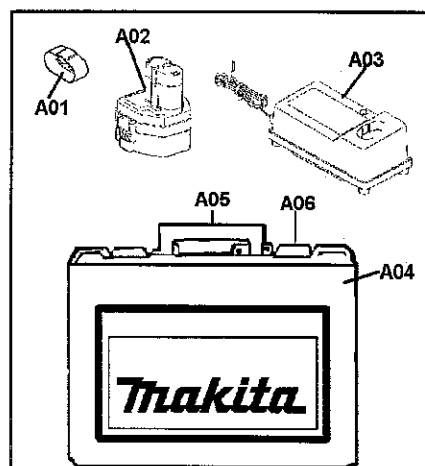
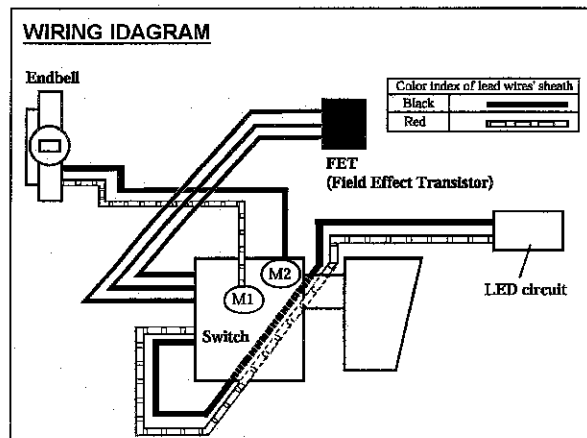


02-2005



Item No.	Part No.	No. Used	Description	Item No.	Part No.	No. Used	Description
1	183774-9	1	Housing Set (Includes Item 45)	32	211150-8	1	Ball Bearing 6901ZZ
3	266130-9	8	Tapping Screw Bind PT 3X16	33	213620-3	1	O Ring 46
4	266007-8	1	Tapping Screw Bind PT 3X10	34	911516-9	4	P.H. Screw M4X12
5	416079-5	1	F/R Change Lever	35	317597-5	1	Internal Gear Case
6	638326-6	1	Switch Unit	36	638155-7	1	York Unit
7	263024-9	1	Rubber Pin 4	37	619084-3	1	Armature
8	687085-9	1	Holder	38	638156-5	1	Endbell Com.
9	654168-0	1	Spring Terminal (+)	39	193466-2	2	Carbon Brush CB-434 (2pcs/Set)
10	654169-8	1	Spring Terminal (-)	40	643933-2	2	Brush Holder Cap
11	231951-8	1	Ring Spring 11	41	689096-0	1	FET Spacer
12	267085-1	1	Flat Washer 12	42	266170-7	1	Tapping Screw ST3X8
13	233005-7	1	Compression Spring 13	43	266130-9	1	Tapping Screw Bind PT 3X16
14	324420-7	1	Sleeve	44	313118-1	1	Stopper
15	421847-3	1	Bumper	45	819720-3	1	Makita Label
16	153808-2	1	Hammer Case Com.	47	263024-9	1	Rubber Pin 4
17	261108-7	1	Nylon Washer 14				
18	216001-0	2	Steel Ball 3.5				
19	324432-0	1	Anvil M				
20	324262-9	1	Hammer				
21	216001-0	24	Steel Ball 3.5				
22	267175-0	1	Flat Washer 24				
23	233274-0	1	Compression Spring 25				
24	267766-7	1	Cup Washer 14				
25	216011-7	2	Steel Ball 5.6				
26	226336-1	2	Spur Gear 22				
27	324220-5	1	Spindle				
28	256253-1	2	Pin 5				
29	267212-0	1	Flat Washer 12				
30	257254-2	1	Ring 41				
31	227112-6	1	Internal Gear 51				
				<b>Accessories</b>			
				A01	414938-7	1	Battery Cover
				A02	192598-2	1	12V Ni-Cad Battery 1222 (2.0Ah) (See Catalogue for other Batteries)
				A03	DC1414	1	Charger DC1414 For 7.2V ~ 14.4V, 1.3Ah ~ 3.0Ah (For Other Chargers, See Catalogue)
				A04	183763-4	1	Plastic Carrying Case (Includes Items)
				A05	417723-7	1	Handle
				A06	417724-5	2	Latch

### Service Repair Tools

181573-3 - Makita Grease N No.2  
1R045 - Large Gear Extractor

## Free Manuals Download Website

<http://myh66.com>

<http://usermanuals.us>

<http://www.somanuals.com>

<http://www.4manuals.cc>

<http://www.manual-lib.com>

<http://www.404manual.com>

<http://www.luxmanual.com>

<http://aubethermostatmanual.com>

Golf course search by state

<http://golfingnear.com>

Email search by domain

<http://emailbydomain.com>

Auto manuals search

<http://auto.somanuals.com>

TV manuals search

<http://tv.somanuals.com>