

**IMPORTANT!** - To assure product **SAFETY** and **RELIABILITY**, repairs, maintenance or adjustment should be performed by **MAKITA** Service Centers, or other qualified service organizations. Always use **MAKITA** replacement parts.

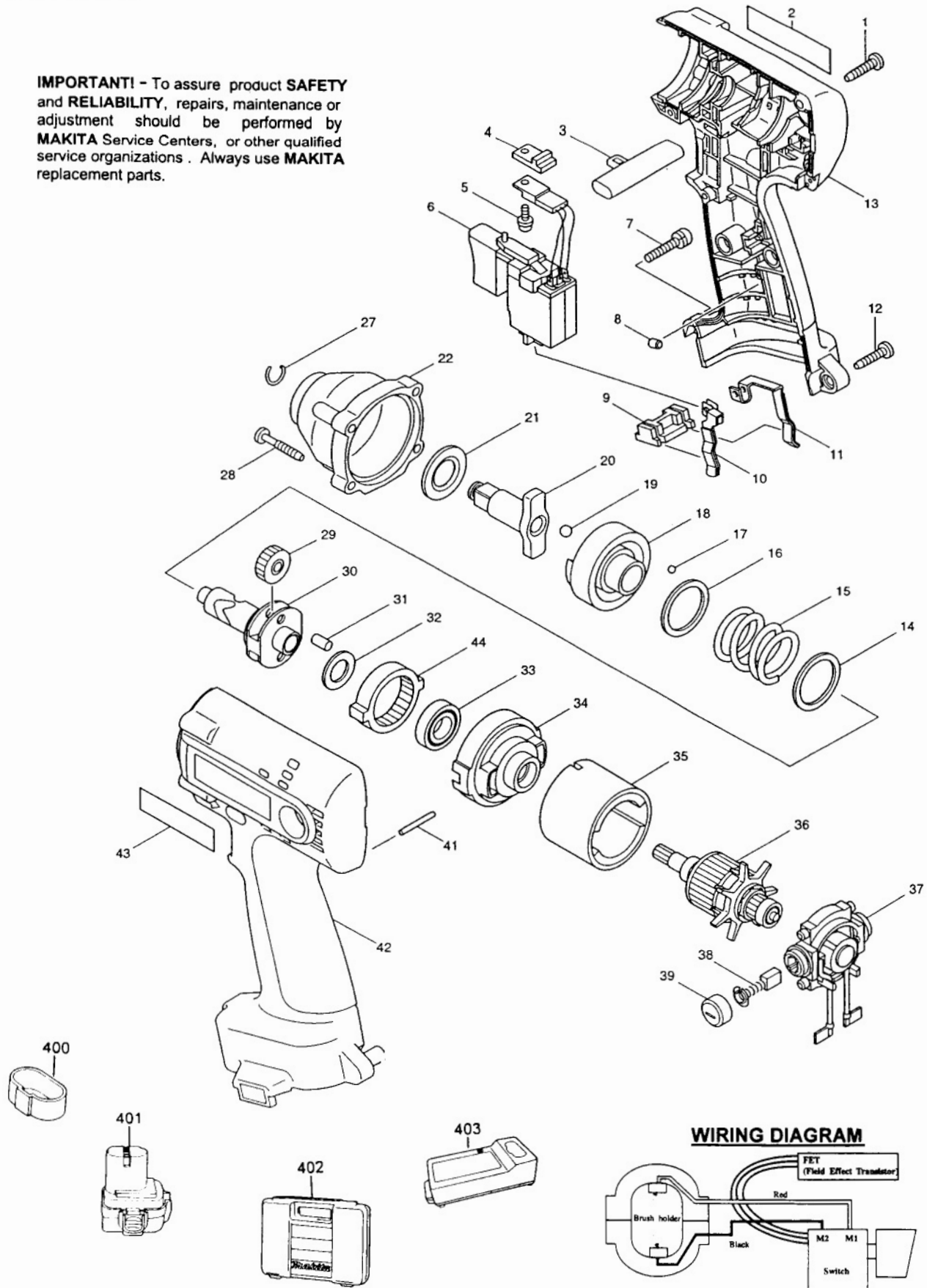


Fig.	Part No.	Qty. Used	Description	Fig.	Part No.	Qty. Used	Description
1	265995-6	5	TAPPING SCREW 4X18	30	323994-5	1	SPINDLE
2	852308-6	1	NAME PLATE	31	256253-1	2	PIN 5
3	416079-5	1	F/R CHANGE LEVER	32	267212-0	1	FLAT WASHER 12
4	689096-0	1	FET SPACER	33	211140-1	1	BALL BEARING 6901LLB
5	266170-7	1	TAPPING SCREW ST3X8	34	417268-5	1	INTERNAL GEAR CASE
6	651989-1	1	SWITCH	35	632965-4	1	YOKE UNIT
7	911143-2	1	PAN HEAD SCREW M4X22	36	619056-8	1	ARMATURE
8	263024-9	2	RUBBER PIN 4	37	632969-6	1	ENDBELL COMPLETE (Incl. 654069-2, Receptacle)
9	687085-9	1	HOLDER	38	191975-5	1	CARBON BRUSH CB-431, Set
10	654169-8	1	SPRING TERMINAL (-)	39	643933-2	2	HOLDER CAP
11	654168-0	1	SPRING TERMINAL (+)	41	256176-3	1	PIN 2.5
12	265995-6	1	TAPPING SCREW 4X18	42	183272-3	1	HOUSING SET (Incl. Fig 8, 13,43)
13	183272-3	1	HOUSING SET (Incl. Fig. 8,42,43)	43	819063-3	1	MAKITA LABEL
14	267175-0	1	FLAT WASHER 24	44	227001-5	1	INTERNAL GEAR 51
15	233273-2	1	COMPRESSION SPRING 25				
16	267175-0	1	FLAT WASHER 24				
17	216001-0	25	STEEL BALL 3.5				
18	323995-3	1	HAMMER				
19	216011-7	2	STEEL BALL 5.6				
20	323993-7	1	ANVIL				
21	261108-7	1	NYLON WASHER 14				
22	151947-2	1	HAMMER CASE COMPLETE	400	414938-7	1	BATTERY COVER
27	231964-9	1	RING SPRING 7	401	193156-7	1	BATTERY 9134 SET
28	265999-8	4	TAPPING SCREW 4X25	402	824489-6	1	PLASTIC CARRYING CASE (Incl Slide Latch Set, 186347-7)
29	226336-1	2	SPUR GEAR 22	403	DC1411	1	CHARGER, DC1411
				<b>ACCESSORIES</b>			

## Free Manuals Download Website

<http://myh66.com>

<http://usermanuals.us>

<http://www.somanuals.com>

<http://www.4manuals.cc>

<http://www.manual-lib.com>

<http://www.404manual.com>

<http://www.luxmanual.com>

<http://aubethermostatmanual.com>

Golf course search by state

<http://golfingnear.com>

Email search by domain

<http://emailbydomain.com>

Auto manuals search

<http://auto.somanuals.com>

TV manuals search

<http://tv.somanuals.com>