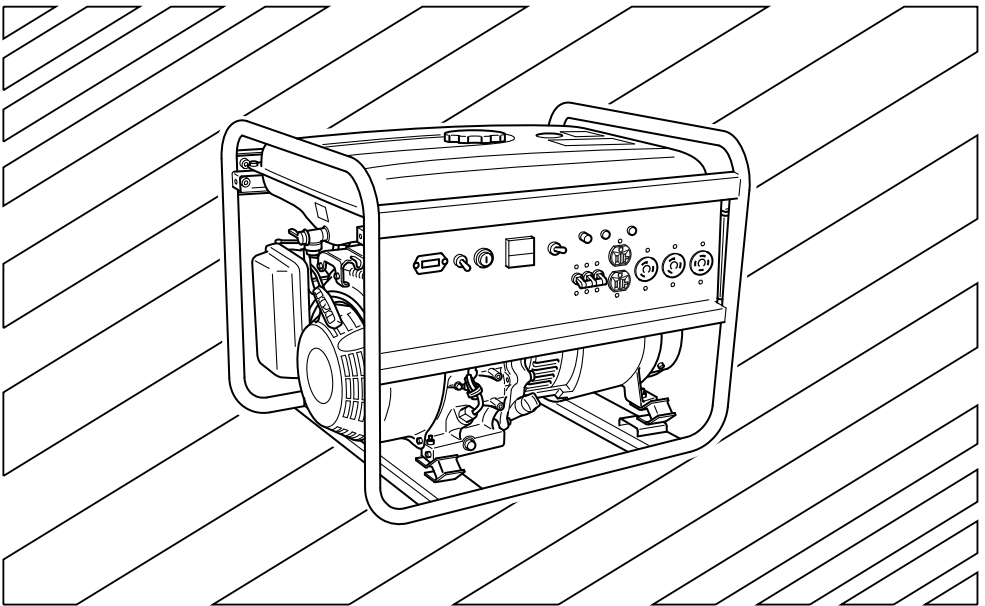


# *Makita* GENERATOR

**G** series

**G7300R**  
**G7301R**



## INSTRUCTIONS FOR USE

3ZZ9990180

カナダ

# FEDERAL EMISSIONS COMPONENT DEFECT WARRANTY

**EMISSIONS COMPONENT DEFECT WARRANTY COVERAGE** - This emission warranty is applicable in all States, except the State of California

Makita U.S.A. Inc., La Mirada, California, (herein "MAKITA") warrant(s) to the initial retail purchaser and each subsequent owner, that this Nonroad engine (herein "engine") has been designed, built, and equipped to conform at the time of initial sale to all applicable regulations of the U.S. Environmental Protection Agency (EPA), and that the engine is free of defects in materials and workmanship which would cause this engine to fail to conform with EPA regulations during its warranty period.

For the components listed under PARTS COVERED, the Makita Factory Service Center or Service Center authorized by MAKITA will, at no cost to you, make the necessary diagnosis, repair, or replacement necessary to ensure that the engine complies with applicable U.S. EPA regulations.

## EMISSION COMPONENT DEFECT WARRANTY PERIOD

The warranty period for this engine begins on the date of sale to the initial purchaser and continues for a period of 2 years.

## PARTS COVERED

Listed below are the parts covered by the Emission Components Defect Warranty. Some of the parts listed below may require scheduled maintenance and are warranted up to the first scheduled replacement point for that part.

- |  |  |
|--|--|
| <p>(1) Fuel Metering System</p> <ul style="list-style-type: none"> <li>(i) Carburetor and internal parts (and/or pressure regulator or fuel injection system).</li> <li>(ii) Air/fuel ratio feedback and control system, if applicable.</li> <li>(iii) Cold start enrichment system, if applicable.</li> <li>(iv) Regulator assy (gaseous fuel, if applicable)</li> </ul> <p>(2) Air Induction System</p> <ul style="list-style-type: none"> <li>(i) Intake manifold, if applicable</li> <li>(ii) Air filter.</li> </ul> | <p>(3) Ignition System</p> <ul style="list-style-type: none"> <li>(i) Spark plugs.</li> <li>(ii) Magneto or electronic ignition system.</li> <li>(iii) Spark advance/retard system, if applicable.</li> </ul> <p>(4) Exhaust manifold, if applicable</p> <p>(5) Miscellaneous Items Used in Above Systems</p> <ul style="list-style-type: none"> <li>(i) Electronic controls, if applicable</li> <li>(ii) Hoses, belts, connectors, and assemblies.</li> <li>(iii) Filter lock assy (gaseous fuel, if applicable)</li> </ul> |
|--|--|

## OBTAINING WARRANTY SERVICE

To obtain warranty service, take your engine to the nearest Makita Factory Service Center or Service Center authorized by MAKITA. Bring your sales receipts indicating date of purchase for this engine. The Makita Factory Service Center or Service Center authorized by MAKITA will perform the necessary repairs or adjustments within a reasonable amount of time and furnish you with a copy of the repair order. All parts and accessories replaced under this warranty become the property of MAKITA. EPA - MAKITA FEDERAL EMISSIONS COMPONENT DEFECT WARRANTY-continued

## WHAT IS NOT COVERED

\*Conditions resulting from tampering, misuse, improper adjustment (unless they were made by the Makita Factory Service Center or Service Center authorized by MAKITA during a warranty repair), alteration, accident, failure to use the recommended fuel and oil, or not performing required maintenance services.

\*The replacement parts used for required maintenance services.

\*Consequential damages such as loss of time, inconvenience, loss of use of the engine or equipment, etc.

\*Diagnosis and inspection charges that do not result in warranty-eligible service being performed.

\*Any non-authorized replacement part, or malfunction of authorized parts due to use of non-authorized parts.

## **OWNER'S WARRANTY RESPONSIBILITIES**

As the engine owner, you are responsible for the performance of the required maintenance listed in your owner's manual. MAKITA recommends that you retain all receipts covering maintenance on your engine, but MAKITA cannot deny warranty solely for the lack of receipts or for your failure to ensure the performance of all scheduled maintenance.

As the engine owner, you should however be aware that MAKITA may deny warranty coverage if your engine or a part has failed due to abuse, neglect, improper maintenance or unapproved modifications.

You are responsible for presenting your engine to the nearest Makita Factory Service Center or Service Center authorized by MAKITA when a problem exists.

If you have any questions regarding your warranty rights and responsibilities, you should contact the Makita Warranty Department at 1-800-4-MAKITA for the information.

## **THINGS YOU SHOULD KNOW ABOUT THE EMISSION CONTROL SYSTEM WARRANTY MAINTENANCE AND REPAIRS**

You are responsible for the proper maintenance of the engine. You should keep all receipts and maintenance records covering the performance of regular maintenance in the event questions arise. These receipts and maintenance records should be transferred to each subsequent owner of the engine. MAKITA reserves the right to deny warranty coverage if the engine has not been properly maintained. Warranty claims will not be denied, however, solely because of the lack of required maintenance or failure to keep maintenance records.

**MAINTENANCE, REPLACEMENT OR REPAIR OF EMISSION CONTROL DEVICES AND SYSTEMS MAY BE PERFORMED BY ANY REPAIR ESTABLISHMENT OR INDIVIDUAL ; HOWEVER, WARRANTY REPAIRS MUST BE PERFORMED BY THE MAKITA FACTORY SERVICE CENTER OR SERVICE CENTER AUTHORIZED BY MAKITA. THE USE OF PARTS THAT ARE NOT EQUIVALENT IN PERFORMANCE AND DURABILITY TO AUTHORIZED PARTS MAY IMPAIR THE EFFECTIVENESS OF THE EMISSION CONTROL SYSTEM AND MAY HAVE A BEARING ON THE OUTCOME OF A WARRANTY CLAIM.**

If other than the parts authorized by MAKITA are used for maintenance replacements or for the repair of components affecting emission control, you should assure yourself that such parts are warranted by their manufacturer to be equivalent to the parts authorized by MAKITA in their performance and durability.

## **HOW TO MAKE A CLAIM**

All repair qualifying under this limited warranty must be performed by a Makita Factory Service Center or Service Center authorized by MAKITA. In the event that any emission-related part is found to be defective during the warranty period, you shall notify Makita Warranty Department at 1-800-4-MAKITA and you will be advised of the appropriate warranty service dealer or service providers where the warranty repair can be performed.

## FACTORY SERVICE CENTERS IN CANADA

### BRITISH COLUMBIA

#### RICHMOND

(Vancouver Regional Office)  
11771 Hammersmith Way, Richmond, V7A.5H6  
Tel. 1.800.663.0909 or 604.272.3104  
Fax.604.272.5416

#### COQUITLAM

Unit 103, 2131 Hartley Avenue, Coquitlam, V3K.2Z3  
Tel. 604.525.7434 or 1.800.266.7738  
Fax.604.525.7435

### ALBERTA

#### CALGARY

#8-6115 Fourth Street S.E., Calgary, T2H.2H9  
Tel. 1.800.267.0445 or 403.243.3995  
Fax.403.287.3044

#### EDMONTON

11614-149 Street, Edmonton, T5M.3R3  
Tel. 1.888.455.6644 or 780.455.6544  
Fax.780.451.4877

### SASKATCHEWAN

#### SASKATOON

206A-2750 Faithful Avenue, Saskatoon, S7K.6M6  
Tel. 1.888.931.0111 or 306.931.0111  
Fax.306.931.4574

### MANITOBA

#### WINNIPEG

1670 St. James Street, Winnipeg, R3H.0L3  
Tel. 1.800.550.5073 or 204.694.0402  
Fax.204.694.5782

### ONTARIO

#### LONDON

317 Adelaide Street S., Unit 117, London, N5Z.3L3  
Tel. 1.800.571.0899 or 519.686.3115  
Fax.519.686.4347

#### MISSISSAUGA

6350 Tomken Road, Unit 8 Mississauga, L5T.1Y3  
Tel. 1.888.221.9811 or 905.670.7255  
Fax.905.670.0120

#### OTTAWA (Nepean)

210 Colonnade Road S, Unit #10, Ottawa (Nepean),  
K2E.7L5  
Tel. 1.888.560.2214 or 613.224.5022/5088  
Fax.613.224.2360

#### WHITBY

(Toronto Head Office)  
1950 Forbes Street, Whitby, L1N.7B7  
Tel. 1.800.263.3734 or 905.571.2200  
Fax.905.433.4779

### QUÉBEC

#### ST. LEONARD

(Montréal Bureau Régional)  
6389 Boul, Couture, St. Leonard, H1P.3J5  
Tél. 1.800.361.7049 or 514.323.1223  
Fax.514.323.7708

#### VILLE ST. LAURENT

1140 Rue Bégin, Ville St. Laurent, H4R 1X1  
Tél. 1.888.745.5025 or 514.745.5025  
Fax.514.745.6141

#### LES SAULES

1200 St. Jean Baptiste, Unit 106, Québec (Les Saules),  
G2E.5E8  
Tél. 1.800.663.5757 or 418.871.5720  
Fax.418.871.6684

### NOVA SCOTIA

#### DARTMOUTH

202 Brownlow Avenue, Dartmouth, B3B.1T5  
Tel. 1.888.625.4821 or 902.468.7064  
Fax.902.468.3551

# FOREWORD

Thank you for purchasing a Makita generator.

This manual covers operation and maintenance of the Makita generators. All information in this publication is based on the latest production information available at the time of approval for printing.

Pay special attention to statements preceded by the following words:

## **WARNING**

Indicates a strong possibility of severe personal injury, loss of life and equipment damage if instructions are not followed.

## **[CAUTION]**

Indicates a possibility of personal injury or equipment damage if instructions are not followed.

## **NOTE:**

Gives helpful information.

If a problem should arise, or if you have any questions about the generator, consult an authorized dealer or service shop

## **WARNING**

- **The generator is designed to give safe and dependable service if operated according to instructions.**
- **Do not operate the generator before you have read and understood the instructions. Failure to do so could result in death, personal injury or equipment damage.**

# CONTENTS

1. SAFETY PRECAUTIONS . . . . .	1
2. SPECIFICATIONS . . . . .	3
3. COMPONENTS . . . . .	4
4. PRE-OPERATION CHECKS . . . . .	6
5. OPERATING PROCEDURES . . . . .	11
6. WATTAGE INFORMATION . . . . .	22
7. SPARK ARRESTER . . . . .	24
8. MAINTENANCE SCHEDULE . . . . .	25
9. "HOW-TO" MAINTENANCE . . . . .	27
10. PREPARATION FOR STORAGE . . . . .	30
11. TROUBLESHOOTING . . . . .	31
12. WIRING DIAGRAM . . . . .	32
13. OPTIONAL PARTS . . . . .	34

# 1. SAFETY PRECAUTIONS

Please make sure you review each precaution carefully.

## ⚠ WARNING

Do not operate the generator near gasoline or gaseous fuel because of the potential danger of explosion or fire.

Do not fill the fuel tank with fuel while the engine is running. Do not smoke or use open flame near the fuel tank. Be careful not to spill fuel during refueling. If fuel is spilt, wipe it off and let dry before starting the engine.



## ⚠ WARNING

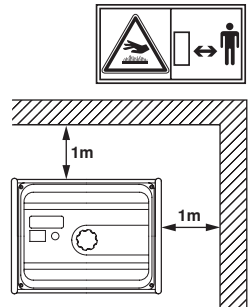
Do not place in flammables near the generator.

Be careful not to place fuel, matches, gunpowder, oily cloths, straw, trash, or any other in flammables near the generator.

## ⚠ WARNING

Do not operate the generator inside a room, cave, tunnel, or other insufficiently ventilated area. Always operate it in a well-ventilated area, otherwise the engine may become overheated, and the poisonous carbon monoxide gas contained in the exhaust gases will endanger human lives. Keep the generator at least 1 meter (3 feet) away from any structure or building during use.

If the generator must be used indoors, the area must be well-ventilated and extreme caution must be taken regarding the discharge of exhaust gases.



## ⚠ WARNING

Do not enclose the generator nor cover it with a box.

The generator has a built-in forced air cooling system, and may become overheated if it is enclosed. If generator has been covered to protect it from the weather during non use, be sure to remove it and keep it well away from the area during generator use.

## ⚠ WARNING

Operate the generator on a level surface.

It is not necessary to prepare a special foundation for the generator.

However, the generator will vibrate on an irregular surface, so choose a level place without surface irregularities.

If the generator is tilted or moved during operation, fuel may spill and / or the generator may tip over, causing a hazardous situation.

Proper lubrication cannot be expected if the generator is operated on a steep incline or slope. In such a case, piston seizure may occur even if the oil is above the upper level.

## ⚠ WARNING

Pay attention to the wiring or extension cords from the generator to the connected device.

If the wire is under the generator or in contact with a vibrating part, it may break and possibly cause a fire, generator burnout, or electric shock hazard.

Replace damaged or worn cords immediately.



**⚠ WARNING**

Do not operate in rain, in wet or damp conditions, or with wet hands.  
The operator may suffer severe electric shock if the generator is wet due to rain or snow.

**⚠ WARNING**

If wet, wipe and dry it well before starting. Do not pour water directly over the generator, nor wash it with water.

**⚠ WARNING**

Be extremely careful that all necessary electrical grounding procedures are followed during each and every use. Failure to do so can be fatal.

**⚠ WARNING**

Do not contact the generator to a commercial power line. Connection to a commercial power line may short circuit the generator and ruin it or cause electric shock hazard. Use the transfer switch for connecting to domestic circuit.



**⚠ WARNING**

No smoking while handling the battery. The battery emits flammable hydrogen gas, which can explode if exposed to electric arcing or open flame. Keep the area well-ventilated and keep open flames/sparks away when handling the battery.



**⚠ WARNING**

Engine becomes extremely hot during and for some time after operation. Keep combustible materials well away from generator area. Be very careful not to touch any parts of the hot engine especially the muffler area or serious burns may result.



**⚠ WARNING**

Keep children and all bystanders at a safe distance from work areas.

**⚠ WARNING**

It is absolutely essential that you know the safe and proper use of the power tool or appliance that you intend to use. All operators must read, understand and follow the tool/appliance owners manual. Tool and appliance applications and limitations must be understood. Follow all directions given on labels and warnings. Keep all instruction manuals and literature in a safe place for future reference.

**⚠ WARNING**

Use only "LISTED" extension cords.  
When a tool or appliance is used outdoors, use only extension cords marked "For Outdoor Use".  
Extension cords, when not in use should be stored in a dry and well ventilated area.

**⚠ WARNING**

Always switch off generator's AC circuit breaker and disconnect tools or appliances when not in use, before servicing, adjusting, or installing accessories and attachments.

**[CAUTION]**

Make sure the engine is stopped before starting any maintenance, servicing or repair.

**NOTE :**

Make sure maintenance and repair of the generator set are performed by properly trained personnel only.



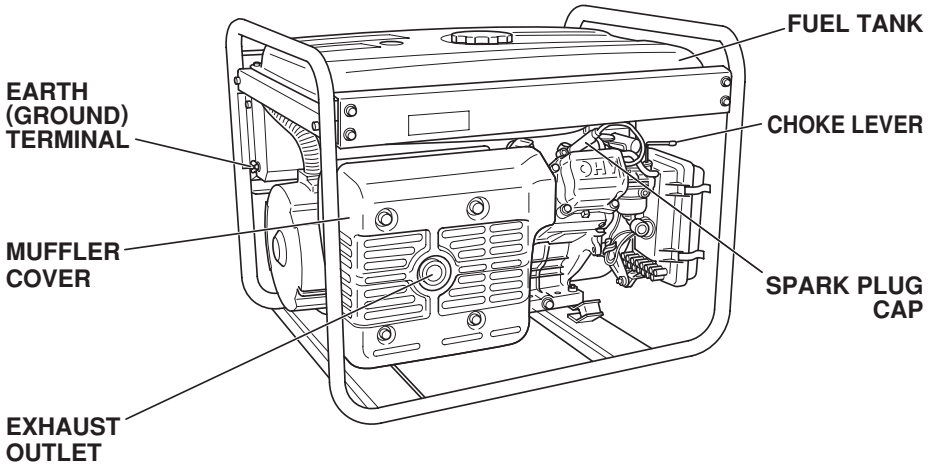
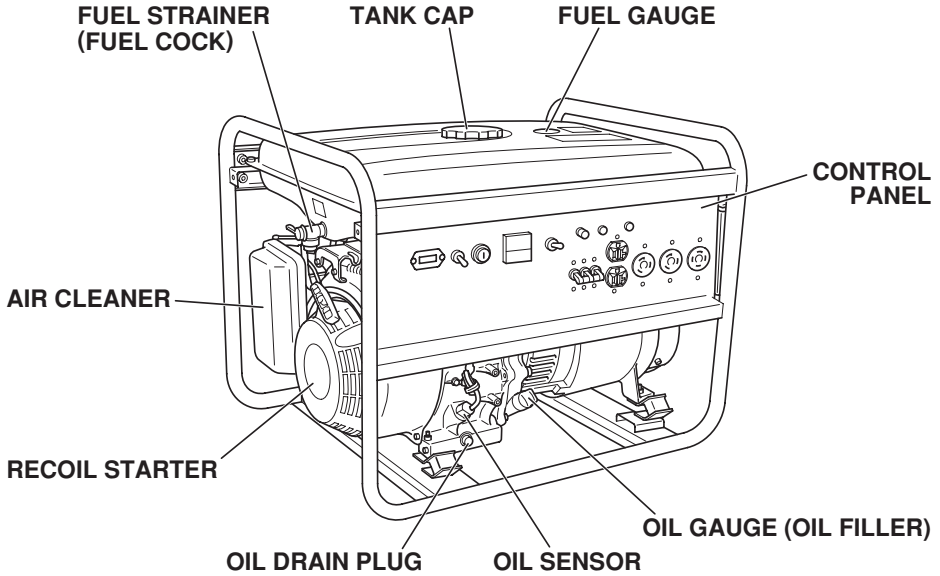
# 2. SPECIFICATIONS

MODEL		G7300R	G7301R
Generator	Type	Brush Type,Self Exciting,2-Poles,Single Phase AVR type	
	AC Output		
	Rated voltage	V	120 / 240
	Rated Frequency	Hz	60
	Rated current	A	50 / 25
	Rated output	VA	6000
	Rated power factor		1.0
	Safety device ; type		Current breaker
	DC Output		
	Rated voltage	V	12
Rated current	A	8.3	
Safety device ; type		Current breaker	
Ground system		Neutral ground (Neutral bonded to frame)	
Engine	Model	EH41D	EH41DS
	Type	Forced Air-cooled,4-cycle,single cylinder OHV type Gasoline engine	
	Displacement	mL	404
	Rated output	kW / rpm	7.0 / 3,600
	Fuel	Automotive Unleaded Gasoline	
	Fuel tank capacity	L	27.5
	Rated continuous operation [APPROX.]	Hours	7.0
	Engine oil capacity	L	1.2
	Spark plug	BPR6ES (NGK)	
	Starting system	Recoil starter	Electric and Recoil starter
Dimension	Length	mm	690
	Width	mm	860
	Hight	mm	530
Dry weight	kg	90	95
Valve clearance (Intake and Exhaust)	mm	0.1 ± 0.03	

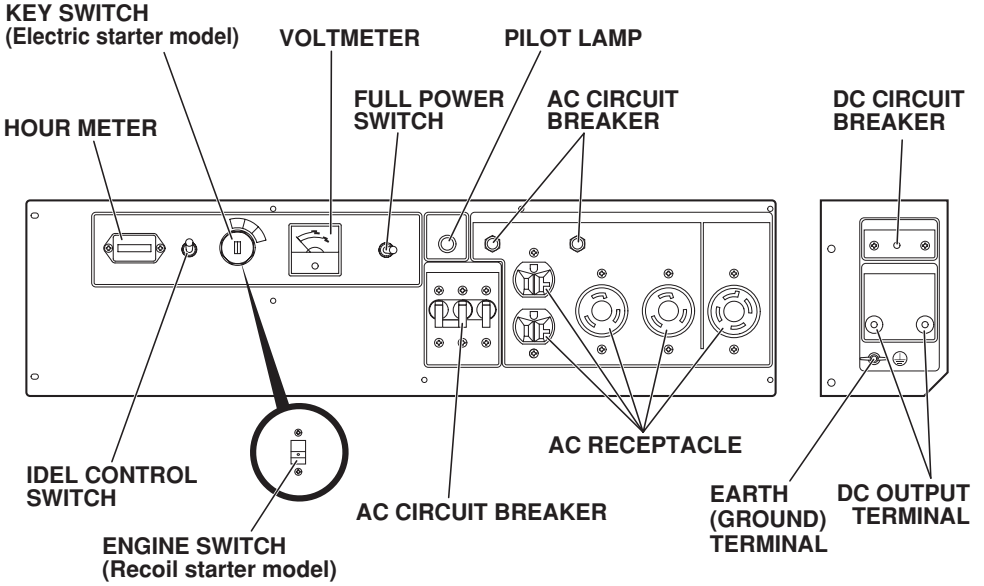
**Note ; Specifications are subject to change without notice.**

# 3. COMPONENTS

---



# CONTROL PANEL

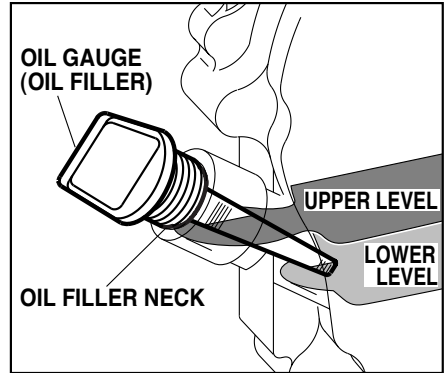


# 4. PRE-OPERATION CHECKS

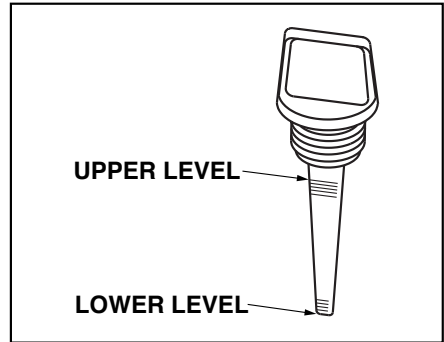
## CHECK ENGINE OIL.

Before checking or refilling oil, be sure generator is located on stable and level surface with engine stopped.

- Remove oil filler cap and check the engine oil level.
- If oil level is below the lower level line, refill with suitable oil (see table) to upper level line. Do not screw in the oil filler cap when checking oil level.
- Change oil if contaminated. (See "How-To" Maintenance.)



**Oil capacity : 1.2 liters**



## Recommended engine oil :

Use 4-stroke automotive detergent oil of API service class **SE** or higher grade (**SG**, **SH** or **SJ** is recommended). **SAE 10W-30** or **10W-40** is recommended for general, all-temperature use. If single viscosity oil is used, select the appropriate viscosity for the average temperature in your area.

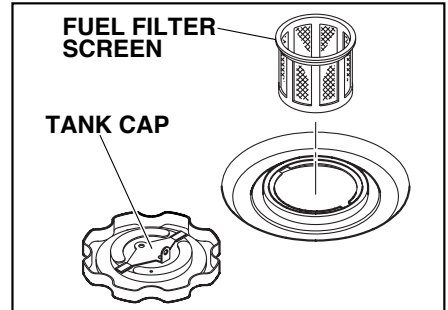
Single grade	5W							
	10W							
Multigrade				20W				
				#20				
Ambient temperature						#30		
							#40	
		10W-30						
		10W-40						
	-20	-10	0	10	20	30	40°C	
	-4	14	32	50	68	86	104°F	

## CHECK ENGINE FUEL.

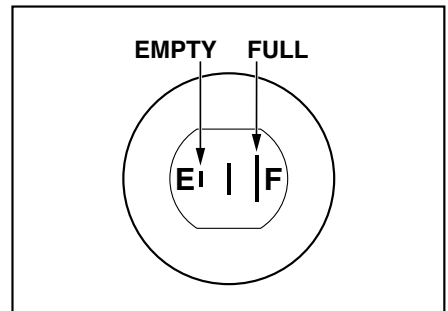
### **⚠ WARNING**

**Do not refuel while smoking or near open flame or other such potential fire hazards. Otherwise fire accident may occur.**

- Check fuel level at fuel level gauge.
- If fuel level is low, refill with automotive unleaded gasoline only.  
This engine is certified to operate on automotive unleaded gasoline.
- Be sure to use the fuel filter screen on the fuel filter neck.



**Fuel tank capacity : 27.5 liters**



### **⚠ WARNING**

**Make sure you review each warning in order to prevent fire hazard.**

- **Do not refill tank while engine is running or hot.**
- **Close fuel cock before refueling with fuel.**
- **Be careful not to admit dust, dirt, water or other foreign objects into fuel.**
- **Wipe off spilt fuel thoroughly before starting engine.**
- **Keep open flames away.**

---

## BATTERY INSTALLTION

Recommended Battery: A capacity of 12V-24AH or larger.

### WARNING

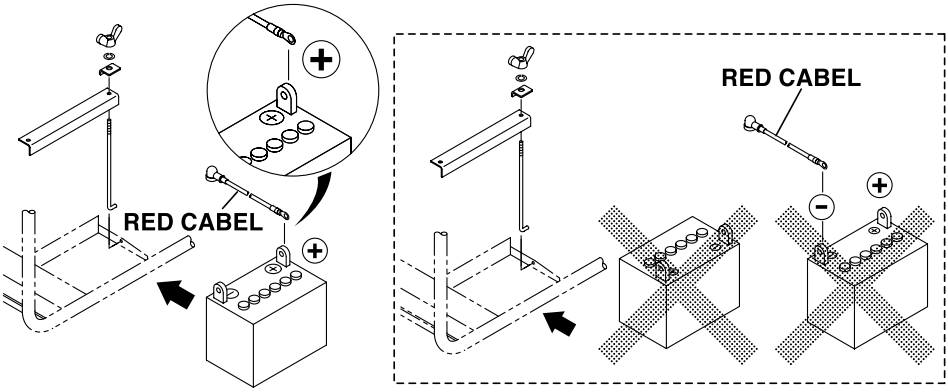
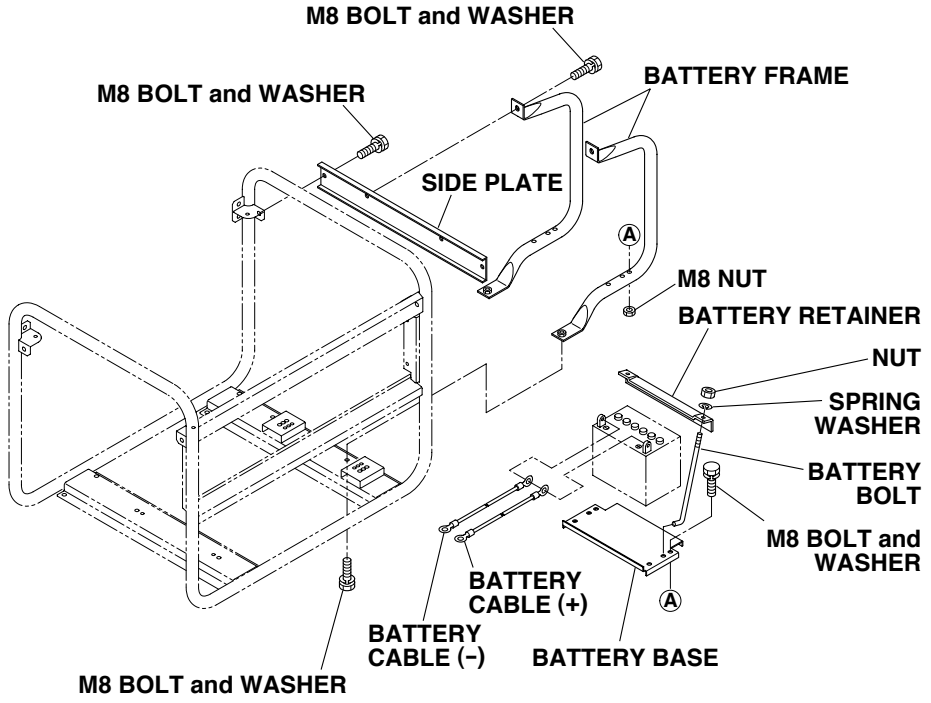
Death, personal injury and/or property damage may occur unless instructions are followed carefully.

- Use battery of recommended capacity.
- Turn the starter switch to the "STOP" position when mounting or dismounting battery. When mounting battery, connect the positive (+) cable first and then the negative (-) cable to the battery. Be careful not to short battery cables. When dismounting battery, disconnect negative (-) cable first.

RED CABLE : To positive (+) terminal

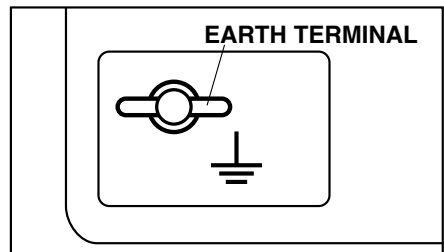
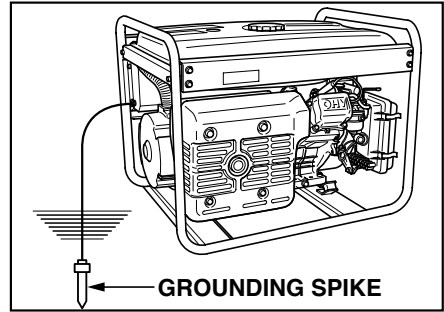
BLACK CABLE : To negative (-) terminal

- Should the connection be made in incorrect manner, the generator will be broken.
- Tighten bolts and nuts on terminals securely so they will not be loosened by vibration.
- Disconnect battery cables when charging battery.



## GROUNDING THE GENERATOR

- To ground the generator to the earth, connect the grounding lug of the generator to the grounding spike driven into the earth or to the conductor which has been already grounded to the earth.
- If such grounding conductor or grounding electrode is unavailable, connect the grounding lug of the generator to the grounding terminal of the using electric tool or appliance.



## CHECKING COMPONENT PARTS

Check following items before starting engine:

- Fuel leakage from fuel hose, etc.
- Bolts and nuts for looseness.
- Components for damage or breakage.
- Generator not resting on or against any adjacent wiring.

## CHECK GENERATOR SURROUNDINGS.

### **⚠ WARNING**

**Make sure you review each warning in order to prevent fire hazard.**

- **Keep area clear of in flammables or other hazardous materials.**
- **Keep generator at least 1 meter away from buildings or other structures.**
- **Only operate generator in a dry, well ventilated area.**
- **Keep exhaust pipe clear of foreign objects.**
- **Keep generator away from open flame. No smoking!**
- **Keep generator on a stable and level surface.**
- **Do not block generator air vents with paper or other material.**



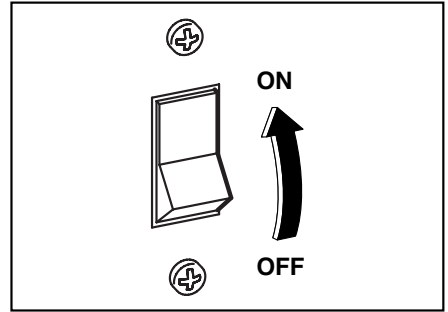
# 5. OPERATING PROCEDURES

## STARTING

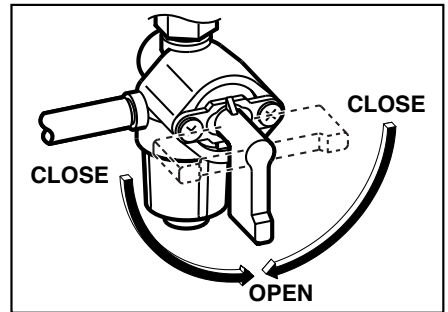
### [CAUTION]

Check the oil level before each operations as outlined on page 6.

(a) Turn the engine switch to the position "ON". (Recoil starter model only)

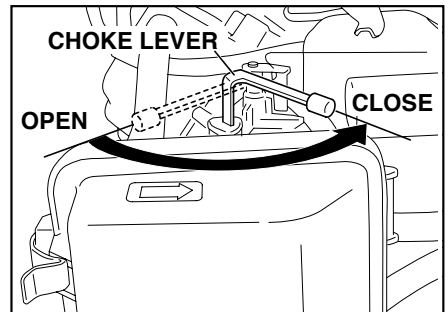


(b) Turn the AC circuit breaker to the "OFF" position.



(c) Open the fuel cock.

(d) Turn the choke lever to close if the engine is cold.



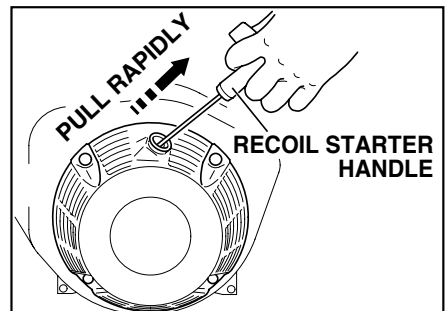
(e) [Recoil starter model]

Pull the starter handle slowly until resistance is felt.

This is the "compression" point.

Return the handle to its original position and then pull swiftly.

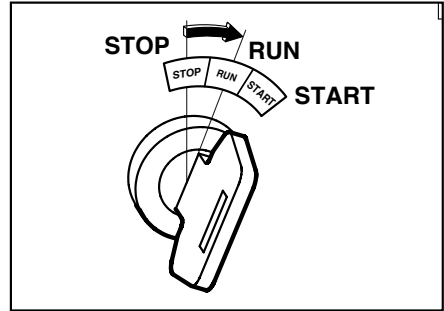
- If the engine fails to start after several attempts, repeat above procedures with choke lever returned to open.
- Do not fully pull out the rope.
- After starting, allow the starter handle to return to its original position while still holding the handle.



(f) **[Electric starter model]**

Insert the key into the key switch and turn it clockwise to the "RUN" position to start the engine.

Then turn the key further to the "START" position. The engine will be started by starting motor.

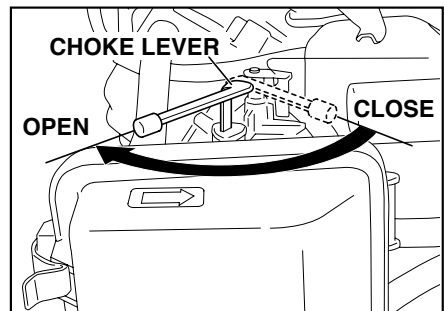


**[CAUTION]**

- Do not run the starting motor over 5 seconds continuously. If the engine fails to start, return the key to the "RUN" position and wait about 10 seconds then start again.
- Do not turn the key switch to "START" position when the engine is running to prevent damage of starting motor.
- When starting the engine by recoil starter, set the key switch at the "ON" position and pull the starter handle.

(g) After the engine started, return the choke lever gradually to "OPEN" position.

(h) Warm up the engine without a load for a few minutes.



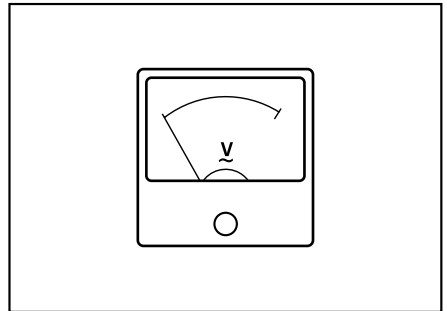
## USING ELECTRIC POWER

### **⚠ WARNING**

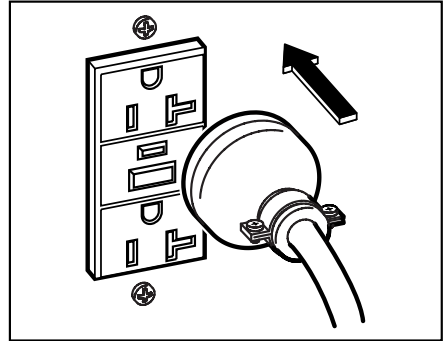
- Make sure that the appliance is switched OFF before connecting it to the generator.
- Do not move the generator while it is running.
- Be sure to ground the generator if the connected appliance is grounded. Failure to ground unit may lead to electrical shock.

### (1) AC APPLICATION

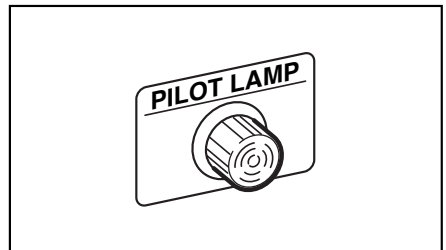
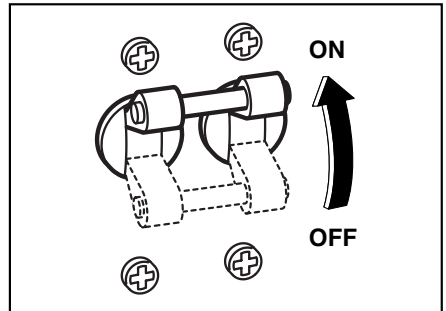
- (a) Check the voltmeter for proper voltage.
- This generator is thoroughly tested and adjusted in the factory. If the generator does not produce the specified voltage, consult your nearest Makita factory or authorized service center.
- (b) Turn off the switch (es) of the electrical appliance (s) before connecting to the generator.



- (c) Insert the plug (s) of the electrical appliance(s) into the receptacle.
- Check the amperage of the receptacles used referring to **TABLE 1**, and be sure not to take a current exceeding the specified amperage.
  - Be sure that the total wattage of all appliances dose not exceed the rated output of the generator.



- (d) Turn the AC circuit breaker ON, and check if the pilot lamp light up.







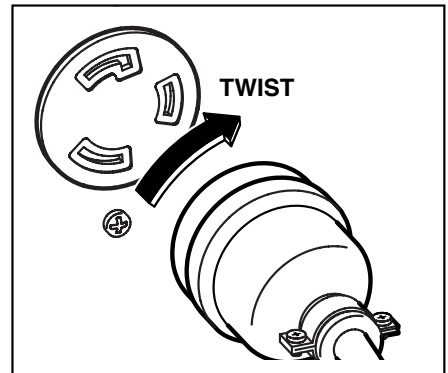
Style	Ampere	Receptacle	AC plug	Description
	up to 20A	NEMA 5-20R	NEMA 5-20P	GFCI (Ground Fault Circuit Interrupter) Receptacle, duplex (REC1)
	up to 20A	NEMA L5-20R	NEMA L5-20P	Locking Receptacle (REC2)
	up to 30A	NEMA L5-30R	NEMA L5-30P	Locking Receptacle (REC2)
	up to 30A	NEMA L14-30R	NEMA L14-30P	Locking Receptacle (REC3)

TABLE 1

**⚠ WARNING**

- To take power out from the **TWIST LOCK RECEPTACLE**, insert the plug into the receptacle, and turn it clockwise to the lock position.
- Be sure to ground the generator if the connected electrical device is grounded.

**NOTE :**

When the AC circuit breaker turns off during operation, the generator is overloaded or the appliance is defective. Stop the generator immediately, check the appliance and / or generator for overloading or detect and have repaired as necessary by Makita factory or authorized service center.

**[CAUTION]**

The duplex 120V receptacle is protected by a GFCI (Ground Fault Circuit Interrupter). GFCI shuts off the output current from the duplex 120V receptacle when a ground fault occurs in the generator or the appliance. Please note that other receptacles are not protected by GFCI.

## GFCI RECEPTACLE

After starting the engine, check the GFCI for proper functioning by the following test procedure.

- Push blue TEST button, The red RESET button will pop out exposing the word TRIP. Power is now off at the outlets protected by the GFCI, indicating that the device is functioning properly.
- If TRIP dose not appear when testing, do not use the generator. Call a qualified electrician.
- To restore power, push RESET button.

### **⚠ WARNING**

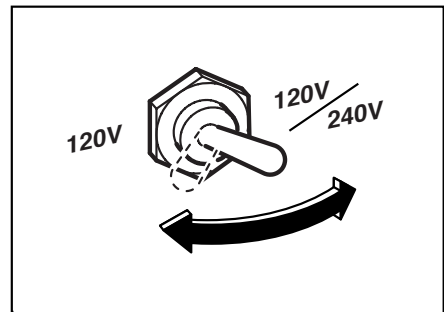
**If the RESET button pops out during operation, stop the generator immediately and call a qualified electrician for checking generator and the appliances.**

## FULL POWER SWITCH

Select the voltage using the FULL POWER SWITCH in accordance with the electrical appliance. Refer to **TABLE 2**.

### **[CAUTION]**

**Change the FULL POWER SWITCH after turning the AC circuit breaker to "OFF".**



### **NOTE :**

Voltmeter always indicates the lower voltage whichever the FULL POWER SWITCH is set.

Switch position	Lower Voltage Receptacle	Higher Voltage Receptacle
120V	Activated full rated output	N.A
120/240V	Activated half of rated output	Activated full rated output

**TABLE 2**

## (2) CONNECTING TO DOMESTIC CIRCUITS (HOUSE WIRING)

### ⚠ WARNING

**This generator is neutral grounded type.**

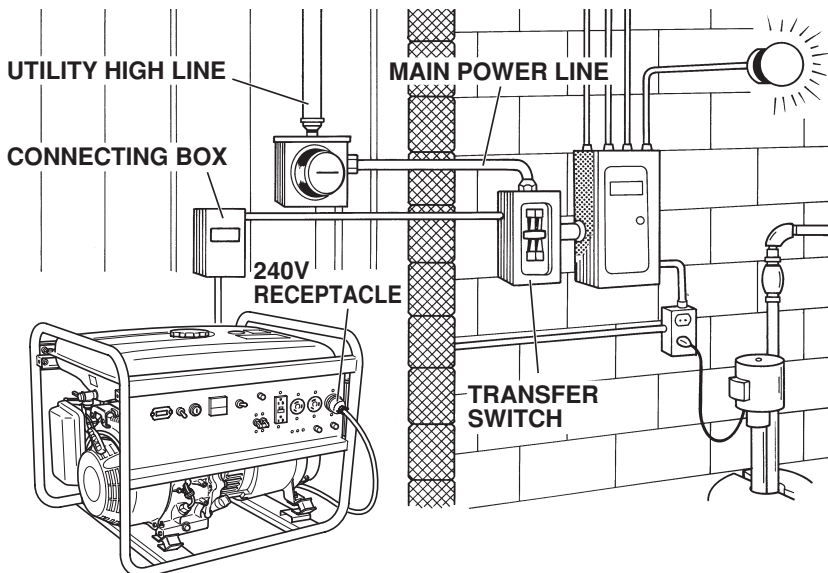
**If a generator is to be connected to residential or commercial power lines, such as a stand-by power source during power outage, all connections must be made by a licensed electrician.**

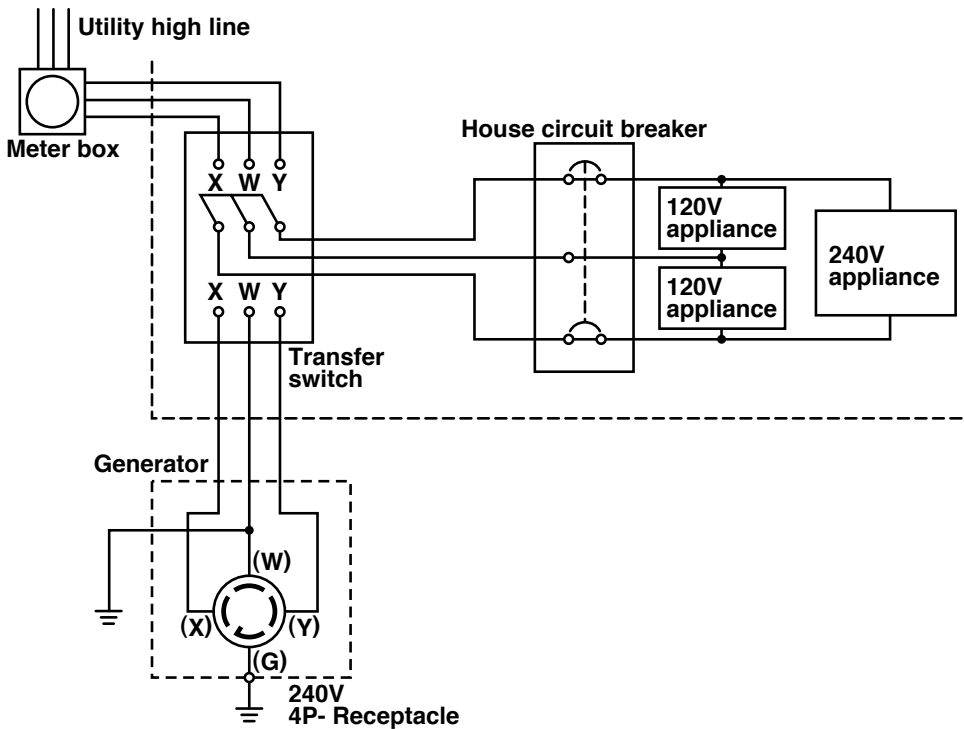
**Failure in connection may result in death, personal injury, damage to generator, damage to appliances, damage to the building's wiring or fire.**

- (a) When connecting a generator to a house wiring, generator output power must be taken from the 240V-4P receptacle.
- (b) Install a transfer switch.  
A transfer switch must be installed to transfer the load from the commercial power source to the generator. This switch is necessary to prevent accidents caused by the recovery from power outage. Use a transfer switch of the correct capacity. Install transfer switch between the meter and the fuse or AC breaker box.

### [CAUTION]

**If the neutral wire of house wiring is grounded, be sure to ground the ground terminal of the generator. Otherwise an electric shock may occur to the operator.**





(c) Operating the generator.

- Set the full power switch to 120V/ 240V side.
- Turn the house AC breaker off before starting the generator.
- Start the generator and warm it up.
- Turn the house AC breaker on.

**[CAUTION]**

**Do not start the generator with electrical appliance (s) connected and with their switches on.**

**Otherwise the appliance (s) may be damaged by the surge voltage at starting.**

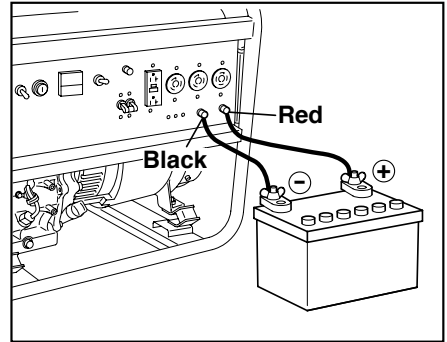


### (3) DC APPLICATION

The DC terminal is used only for charging 12 volt batteries. It provides up to 12V-8.3A (100W) of maximum power.

#### CONNECTION OF CABLE :

- Connect positive (red) terminal on generator to positive (+) terminal on battery.
- Connect negative (black) terminal on generator to negative (-) terminal on battery.
- Both AC and DC output can be used at the same time if the total output is within rated output of the generator.



#### SAFETY PRECAUTIONS WHILE CHARGING

- An explosive hydrogen gas is discharged through vent holes in the battery during the charging process. Do not allow spark or open flame around the generator or battery during the charging process.
- Electrolyte fluid can burn eyes and clothing. Be extremely careful to avoid contact. If injured, wash the affected area immediately with large quantities of water and consult a doctor for treatment.
- When charging a large capacity battery or totally discharged battery, excessive current may force the DC breaker to turn off. In such cases, use a battery charger to charge a large battery with AC output.
- Battery defects may cause the DC breaker to turn off. Check the battery before replacing the DC breaker.

## STOPPING

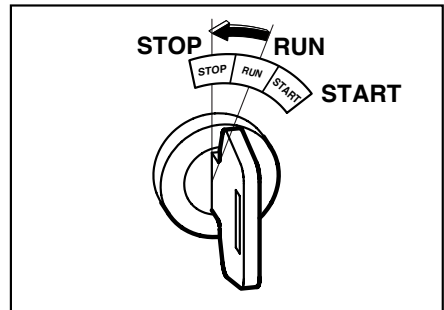
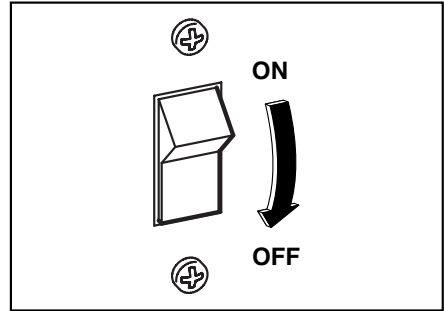
- (a) Turn off the power switch of the electric equipment and unplug the cord from receptacle of the generator.
- (b) Turn the AC circuit breaker to the "OFF" position.
- (c) Allow the engine about 3 minutes to cool down at no-load before stopping.
- (d) **[Recoil starter model]**

Turn the engine switch to the position "OFF".

### **[Electric starter model]**

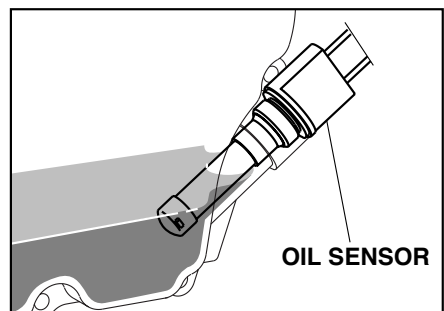
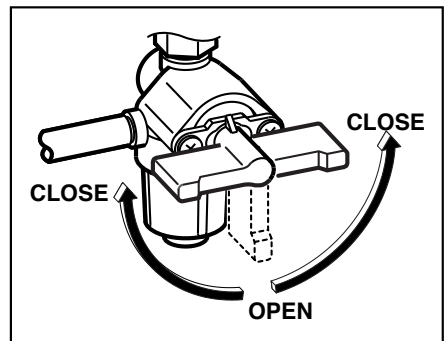
Turn the key switch to the STOP position.

- (e) Close the fuel cock.



## OIL SENSOR

- (a) The oil sensor detects the fall in oil level in the crankcase and automatically stops the engine when the oil level falls below a predetermined level.
- (b) When engine has stopped automatically, switch off generator's AC circuit breaker, and check the oil level. Refill engine oil to the upper level as instructed on page 6 and restart the engine.
- (c) If the engine does not start by usual starting procedures, check the oil level.



### **[CAUTION]**

**Do not remove OIL SENSOR PROBE when refilling with oil. Remove oil filler cap on the opposite side of carburetor.**

## IDLE CONTROL

IDLE CONTROL automatically reduces engine speed when load is OFF, and automatically increases engine speed to rated r.p.m. when load is ON. IDLE CONTROL provides fuel economy and low noise operation at no-load running.

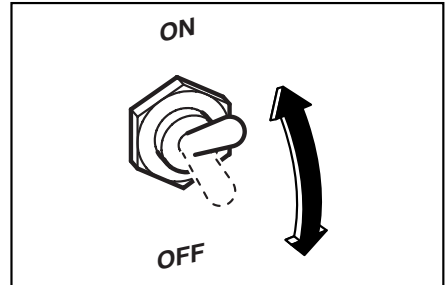
### (1) HOW TO USE IDLE CONTROL

- Start the engine with IDLE CONTROL SWITCH off.

#### NOTE :

Warm up the engine without a load for a few minutes.

- Turn IDLE CONTROL SWITCH on.



### (2) CHECKING THE OPERATION

When IDLE CONTROL does not operate normally, please check following :

- Overloaded ?  
Please make it sure that the generator is not overload.

#### NOTE :

Most induction loads such as electric motors require three to five times more wattage than their ratings during starting.

This starting wattage should not exceed the rated output of the generator for proper operation of IDLE CONTROL.

- Turn IDLE CONTROL SWITCH off when the IDLE CONTROL does not work normally under the rated output.

#### NOTE :

The IDLE CONTROL may not operate when the applied load is under 40W. In such cases turn the IDLE CONTROL SWITCH off.

### (3) STOPPING THE ENGINE

- Turn off the switch of load.
- Switch off generator's AC breaker.
- Disconnect tool or appliance.
- Turn the IDLE CONTROL SWITCH off.
- Turn the STOP SWITCH to the position "O" (OFF).

#### NOTE :

Allow the engine about 3 minutes to cool down at no-load before stopping.

# 6. WATTAGE INFORMATION

---

Some appliances need a "surge" of energy when starting.

This means that the amount of electrical power needed to start the appliance may exceed the amount needed to maintain its use.

Electrical appliances and tools normally come with a label indicating voltage, cycles / Hz, amperage (amps) and electrical power needed to run the appliance or tool.

Check with your nearest dealer or service center with questions regarding power surge of certain appliances or power tools.

- Electrical loads such as incandescent lamps and hot plates require the same wattage to start as is needed to maintain use.
- Loads such as fluorescent lamps require 1.2 to 2 times the indicated wattage during start-up.
- Loads for mercury lamps require 2 to 3 times the indicated wattage during start-up.
- Electrical motors require a large starting current. Power requirements depend on the type of motor and its use. Once enough "surge" is attained to start the motor, the appliance will require only 50% to 30% of the wattage to continue running.
- Most electrical tools require 1.2 to 3 times their wattage for running under load during use. For example, a 5,000 watt generator can power a 1800 to 4000 watt electrical tool.
- Loads such as submersible pumps and air compressors require a very large force to start. They need 3 to 5 times the normal running wattage in order to start.  
For example, a 5,000 watt generator would only be able to drive a 1,000 to 1,700 watt pump.

## NOTE :

The following wattage chart is general guide only. Refer to your specific appliance for correct wattage.

To determine the total wattage required to run a particular electrical appliance or tool, multiply the voltage figure of the appliance/tool by the amperage (amps) figure of same. The voltage and amperage (amps) information can be found on a name plate which is normally attached to electrical appliances and tools.

Applications	Applicable Wattage (W)
	60Hz
Incandescent lamp, Heater	6000
Fluorescent lamp, Electric tool	3000
Mercury lamp	2000
Pump, Compressor	1400

## VOLTAGE DROP IN ELECTRIC EXTENSION CORDS

When a long electric extension cord is used to connect an appliance or tool to the generator, a certain amount of voltage drop or loss occurs in the extension cord which reduces the effective voltage available for the appliance or tool.

The chart below has been prepared to illustrate the approximate voltage loss when an extension cord of 100 meters is used to connect an appliance or tool to the generator.

Nominal cross section	A.W.G.	Allowable current	No.of strands / strands dia.	Resistance	Current Amp.							Voltage drop
					1A	3A	5A	8A	10A	12A	15A	
mm <sup>2</sup>	No.	A	No./mm	Ω/100m	1A	3A	5A	8A	10A	12A	15A	
0.75	18	7	30/0.18	2.477	2.5V	8V	12.5V	—	—	—	—	
1.27	16	12	50/0.16	1.486	1.5V	5V	7.5V	12V	15V	18V	—	
2.0	14	17	37/0.26	0.952	1V	3V	5V	8V	10V	12V	15V	
3.5	12 to 10	23	45/0.32	0.517	—	1.5V	2.5V	4V	5V	6.5V	7.5V	
5.5	10 to 8	35	70/0.32	0.332	—	1V	2V	2.5V	3.5V	4V	5V	

# 7. SPARK ARRESTER

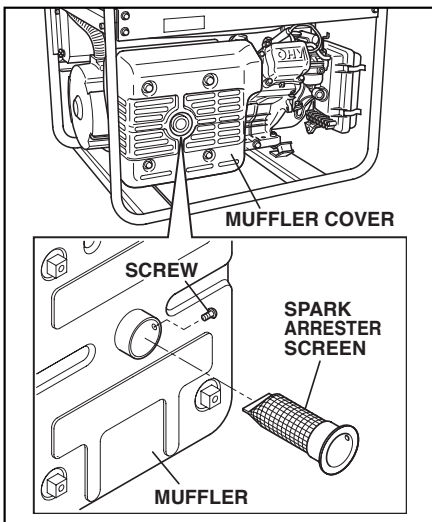
## SPARK ARRESTER

In a dry or wooded area, it is recommendable to use the product with a spark arrester. Some areas require the use of a spark arrester. Please check your local laws and regulations before operating your product.

The spark arrester must be cleaned regularly to keep it functioning as designed. A clogged spark arrester :

- Prevents the flow of exhaust gas
- Reduces engine output
- Increases fuel consumption
- Makes starting difficult

If the engine has been running, the muffler and the spark arrester will be very hot. Allow the muffler to cool before cleaning the spark arrester.



### How to remove the spark arrester

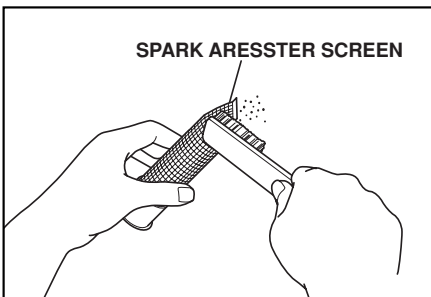
1. Remove the flange bolts from the muffler cover and remove the muffler cover.
2. Remove the special screw from the spark arrester and remove the spark arrester from the muffler.

### Clean the spark arrester screen

Use a brush to remove carbon deposits from the spark arrester screen. Be careful to avoid damaging the screen.

The spark arrester must be free of breaks and holes. Replace the spark arrester if it is damaged.

Install the spark arrester, and muffler protector in the reverse order of disassembly.

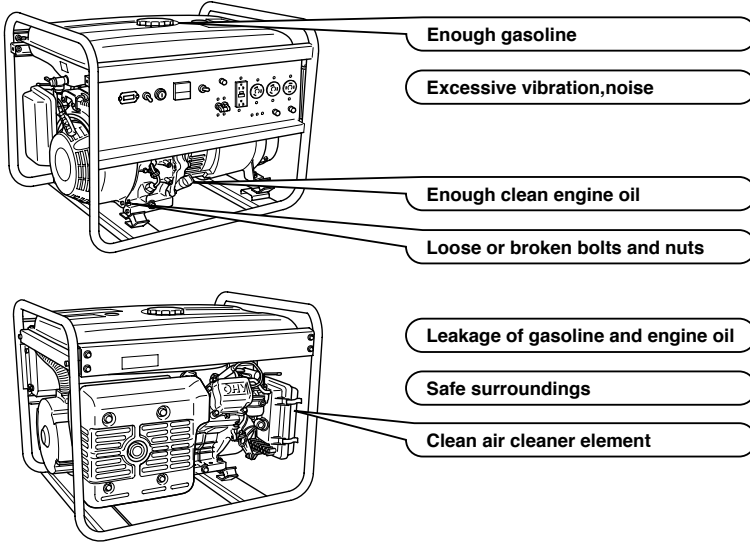


# 8. MAINTENANCE SCHEDULE

MAINTENANCE, REPLACEMENT OR REPAIR OF THE EMISSION CONTROL DEVICES AND SYSTEMS MAY BE PERFORMED BY ANY NONROAD ENGINE REPAIR ESTABLISHMENT OR INDIVIDUAL.

## DAILY INSPECTION

Before running the generator, check the following service items:



## PERIODIC MAINTENANCE

Periodic maintenance is vital to safe and efficient operation of your generator. Check the table below for periodic maintenance intervals.

**IT IS ALSO NECESSARY FOR THE USER OF THIS GENERATOR TO CONDUCT THE MAINTENANCE AND ADJUSTMENTS ON THE EMISSION-RELATED PARTS LISTED BELOW TO KEEP THE EMISSION CONTROL SYSTEM EFFECTIVE.**

The emission control system consists of the following parts :

- |   |  |  |
|---|--|--|
| (1) Carburetor and internal parts               | (4) Air cleaner elements                       | (8) Exhaust manifold, if applicable          |
| (2) Cold start enrichment system, if applicable | (5) Spark plug                                 | (9) Hoses, belts, connectors, and assemblies |
| (3) Intake manifold, if applicable              | (6) Magneto or electronic ignition system      |  |
|   | (7) Spark advance/retard system, if applicable |  |

The maintenance schedule indicated in the table is based on the normal generator operation. Should the generator be operated in extremely dusty condition or in heavier loading condition, the maintenance intervals must be shortened depending on the contamination of oil, clogging of filter elements, wear of parts, and so on.

## Periodic Maintenance Schedule table

Maintenance Items	Every 8 hours (Daily)	Every 50 hours (Weekly)	Every 200 hours (Monthly)	Every 500 hours	Every 1000 hours
Clean generator and check bolt and nuts	● (Daily)				
Check and refill engine oil	● (Refill daily up to upper level)				
Change engine oil (*Note1)	● (Initial 20 hours)	● (Every 100 hours)			
Clean spark plug		●			
Clean air cleaner		●			
Replace air cleaner element			●		
Clean fuel strainer			●		
Clean and adjust spark plug and electrodes			●		
Replace spark plug				●	
Clean spark arrester		● (Every 100 hours)			
Remove carbon from cylinder head (*Note 2)				●	
Check and adjust valve clearance (*Note 2)				●	
Clean and adjust carburetor (*Note 2)				●	
Clean and replace carbon brushes				●	
Replace fuel lines					● (Yearly)
Overhaul engine (*Note 2)					●

\*Note: 1. Initial oil change should be performed after first twenty (20) hours of operation. Thereafter change oil every hundred (100) hours. Before changing oil, check for a suitable way to dispose of old oil. Do not pour it down into sewage drains, onto garden soil or into open streams. Your local zoning or environmental regulations will give you more detailed instructions on proper disposal.

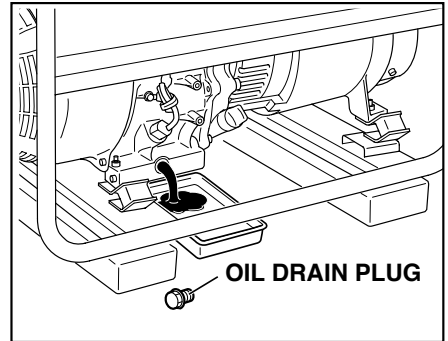
\*Note: 2. As to the procedures for these items, please refer to the SERVICE MANUAL or consult your nearest Makita factory or authorized service center.



# 9. "HOW-TO" MAINTENANCE

## ENGINE OIL CHANGE

- Change engine oil every 100 hours.  
(For new engine, change oil after 20 hours.)
- (a) Drain oil by removing the drain plug and the oil filler cap while the engine is warm.
- (b) Reinstall the drain plug and fill the engine with oil until it reaches the upper level on the oil filler cap.



- Use fresh and high quality lubricating oil to the specified level as directed on page 6.  
If contaminated or deteriorated oil is used or the quantity of the engine oil is not sufficient, the engine damage will result and its life will be greatly shortened.

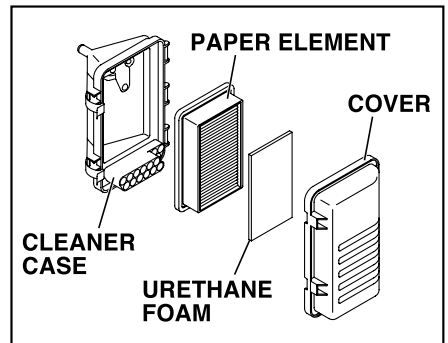
**Oil capacity : 1.2 liters**

## CLEANING AIR CLEANER

### [CAUTION]

**Do not wash elements with kerosene, gasoline or oil.**

A dirty air cleaner element will cause starting difficulty, power loss, engine malfunctions, and shorten engine life extremely. Always keep the air cleaner element clean.



### 1. Urethane Foam Element

Wash and clean the urethane foam with detergent. After cleaning, dry it.  
Clean the urethane foam element every 50 hours.

### 2. Paper element

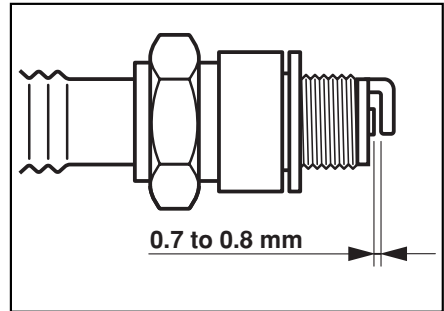
Clean by tapping gently to remove dirt and blow off dust.

Never use oil. Clean the paper element every 50 hours of operation, and replace element set every 200 hours.

**Clean and replace air cleaner elements more often when operating in dusty environments.**

## CLEANING AND ADJUSTING SPARK PLUG

- (a) If the plug is contaminated with carbon, remove it using a plug cleaner or wire brush.
- (b) Check electrode gap.  
Adjust gap to 0.7mm to 0.8mm.

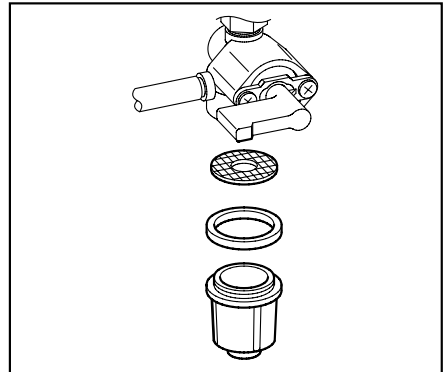


Model	Spark plug
G7300R / G7301R	NGK BPR6ES

## CLEANING FUEL STRAINER

Dirt and water in the fuel are removed by the fuel strainer.

- (a) Remove the strainer cup and throw away water and dirt.
- (b) Clean the screen and strainer cup with gasoline.
- (c) Tightly fasten the cup to main body, making sure to avoid fuel leak.



## FUEL HOSE REPLACEMENT

### **⚠ WARNING**

**Take extreme caution when replacing fuel hose ; gasoline is flammable.**

Replace the fuel hose every 1,000 hours or every year.

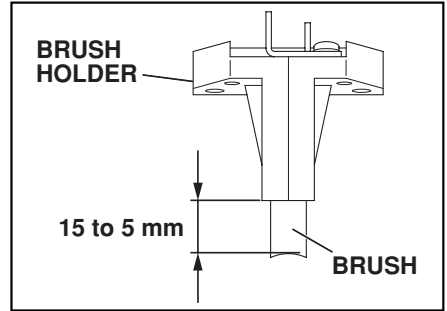
If fuel hose leak is found, replace the fuel hose immediately.

## CHECKING CARBON BRUSH

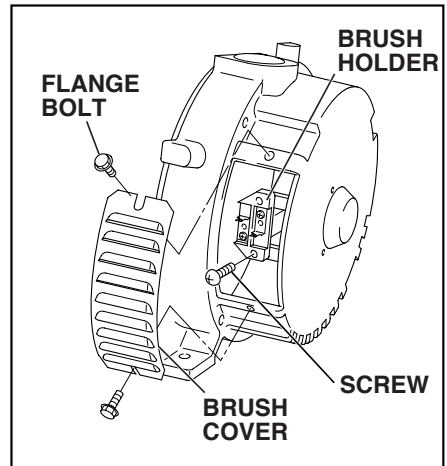
If the brush become excessively worn, its contact pressure with the slip ring changes and causes a roughened surface on the slip ring, resulting in irregular generator performance.

Check the brush every 500 hours or if generator performance is irregular.

If the brush is 5 mm long or less, replace it with a new one.



- (a) Remove the brush cover.
- (b) Disconnect the wire connector and remove the brush.
- (c) Carefully note the brush direction and relative position with the slip ring when installing new brush.

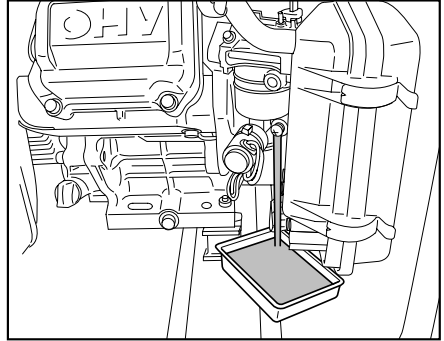


# 10. PREPARATION FOR STORAGE

---

The following procedures should be followed prior to storage of your generator for periods of 6 months or longer.

- Drain fuel from fuel tank carefully by disconnecting the fuel line. Gasoline left in the fuel tank will eventually deteriorate making engine-starting difficult.
- Remove the drain screw of the carburetor.
- Change engine oil.
- Check for loose bolts and screws, tighten them if necessary.
- Clean generator thoroughly with oiled cloth. Spray with preservative if available. **NEVER USE WATER TO CLEAN GENERATOR !**
- Pull starter handle until resistance is felt, leaving handle in that position.
- Store generator in a well ventilated, low humidity area.



# 11. TROUBLESHOOTING

When generator engine fails to start after several attempts, or if no electricity is available at the output socket, check the following chart. If your generator still fails to start or generate electricity, contact your nearest Makita factory or authorized service center for further information or corrective procedures.

## When Engine Fails to Start :

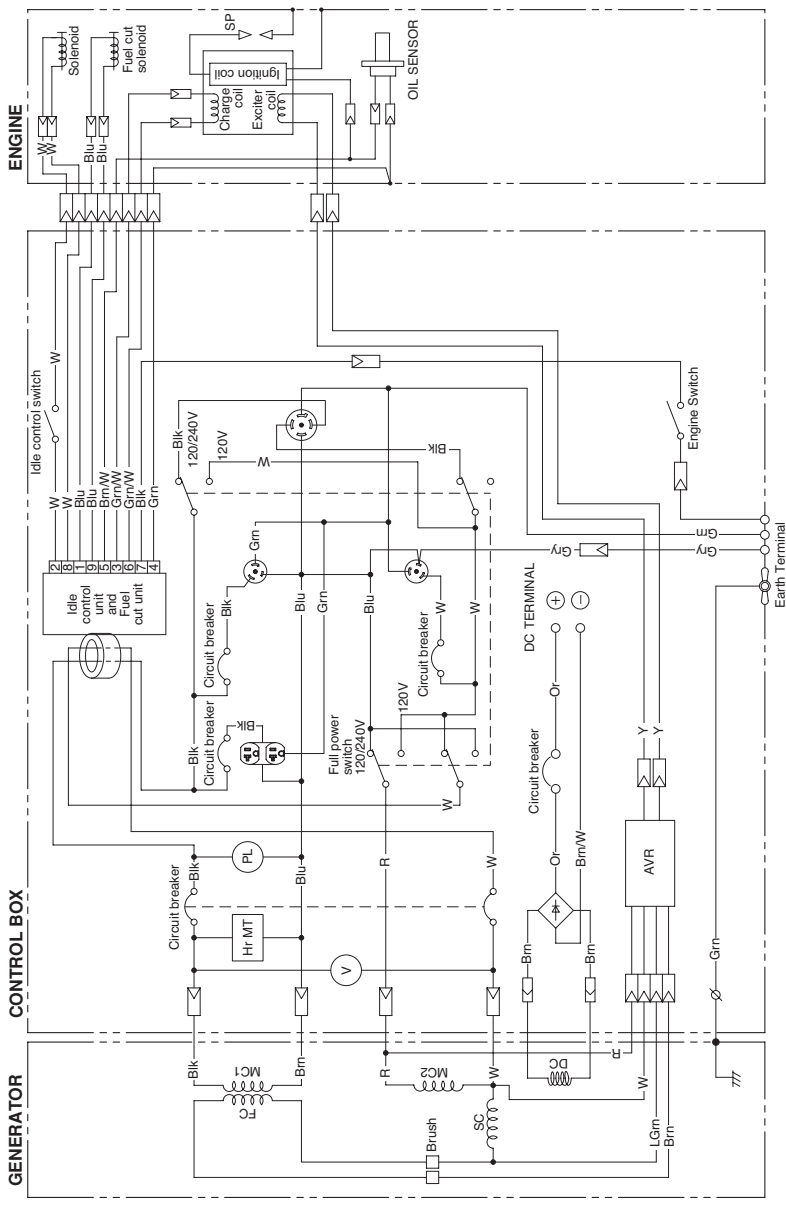
Check if choke lever is in its proper position.		Set the choke lever to "CLOSE" position.
Check if fuel cock is open.	↔	If closed, open fuel cock.
Check fuel level.		If empty, refill fuel tank making sure not to overfill.
Check if engine switch is in OFF.		Turn engine switch to ON.
Check to make sure generator is not connected to an appliance.		If connected, turn off the power switch on the connected appliance and unplug.
Check spark plug for loose spark plug cap.	↔	If loose, push spark plug cap back into place.
Check spark plug for contamination.		Remove spark plug and clean electrode.

## When No Electricity Is Generated at Receptacle :

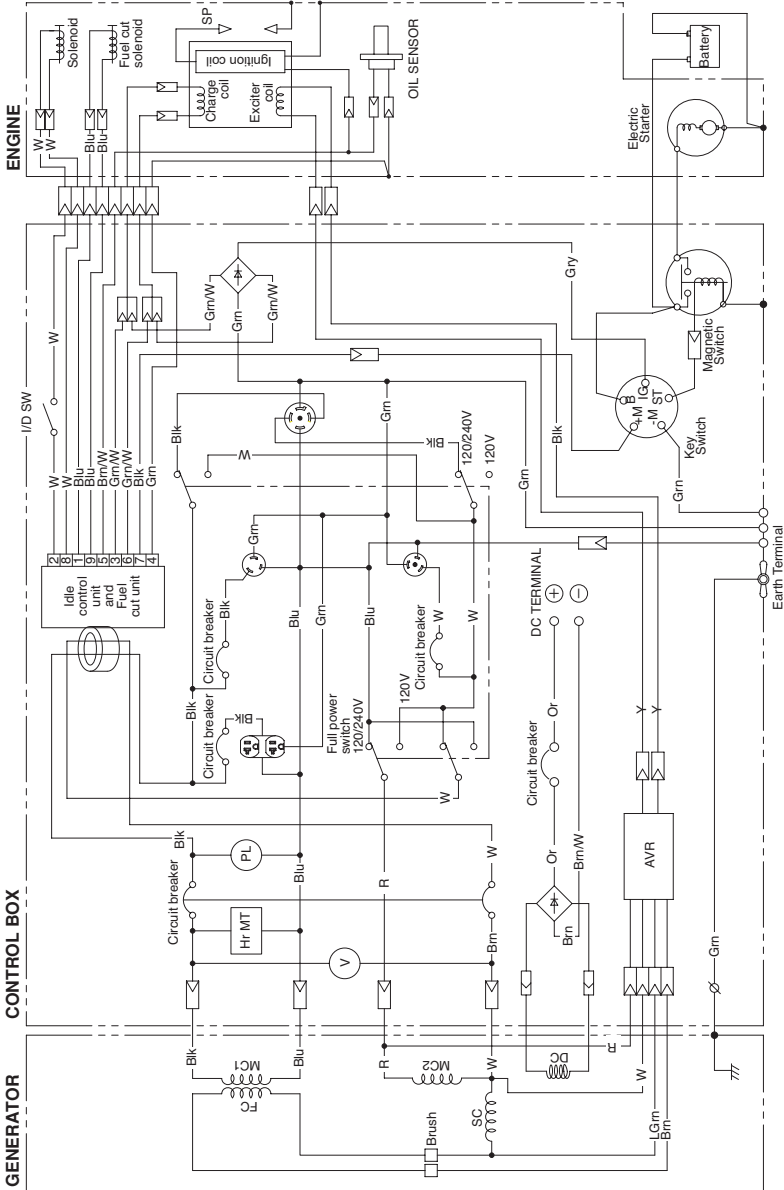
Check to make sure AC circuit breaker is in the "ON" position.	↔	After making sure that the total wattage of the electrical appliance is within permissible limits and there are no defects in the appliance, turn the AC circuit breaker to the "ON" position. If breakers continue to actuate, consult your nearest servicing dealer.
Check AC receptacle and DC terminals for loose connection.		Secure connection if necessary.
Check to see if engine starting was attempted with appliances already connected to generator.	↔	Turn off switch on the appliance, and disconnect cable from receptacle. Reconnect after generator has been started properly.
Low power.		Carbon brushes are excessively worn

# 12. WIRING DIAGRAM

## G7300R

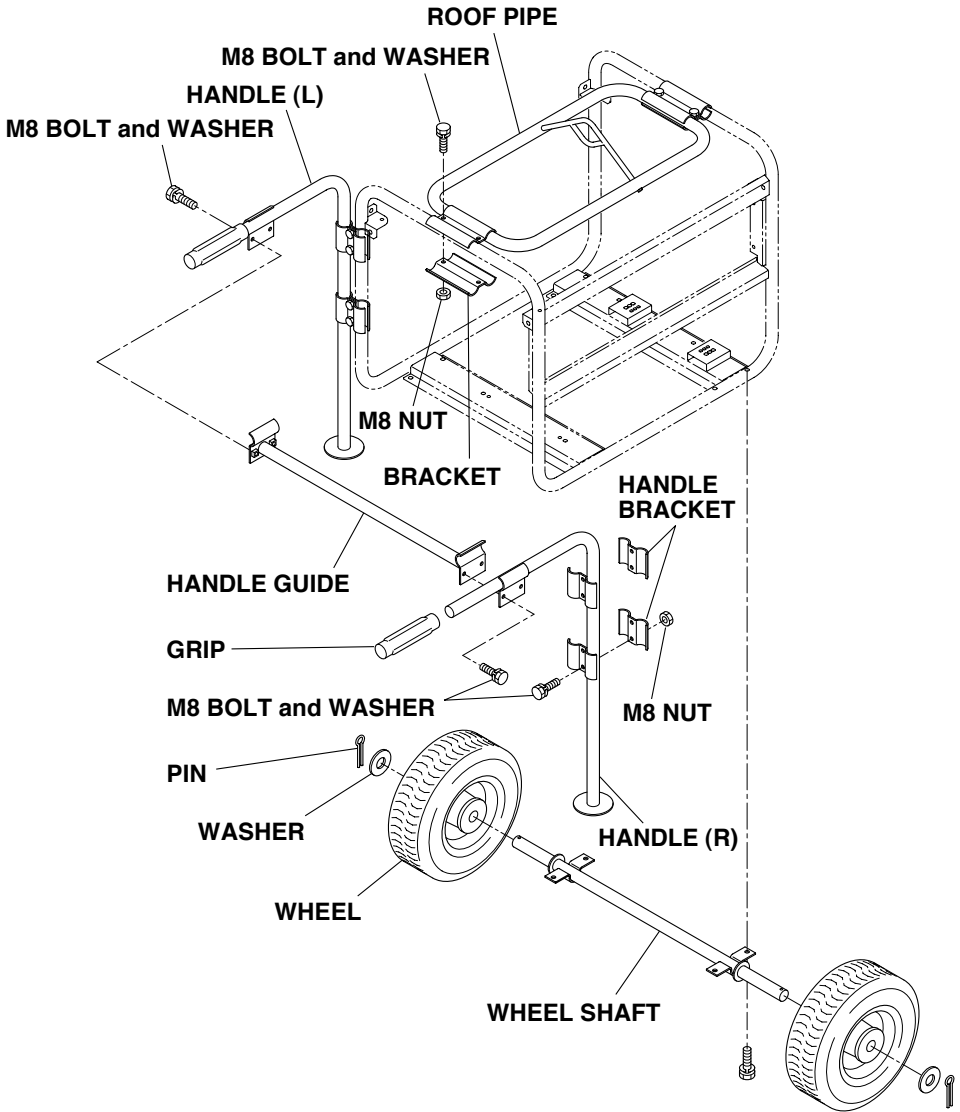


# G7301R



# 13. OPTIONAL PARTS

## HOW TO INSTALL THE WHEEL, HANDLE AND ROOF PIPE







**ISSUE EMD-GU2043**

# **Makita Corporation**

3-11-8, Sumiyoshi-cho

Anjo, Aichi 446-8502 Japan

**PRINTED IN JAPAN**

**January 2005**

**CE-SK**

Download from [Www.Somanuals.com](http://Www.Somanuals.com). All Manuals Search And Download.

## Free Manuals Download Website

<http://myh66.com>

<http://usermanuals.us>

<http://www.somanuals.com>

<http://www.4manuals.cc>

<http://www.manual-lib.com>

<http://www.404manual.com>

<http://www.luxmanual.com>

<http://aubethermostatmanual.com>

Golf course search by state

<http://golfingnear.com>

Email search by domain

<http://emailbydomain.com>

Auto manuals search

<http://auto.somanuals.com>

TV manuals search

<http://tv.somanuals.com>