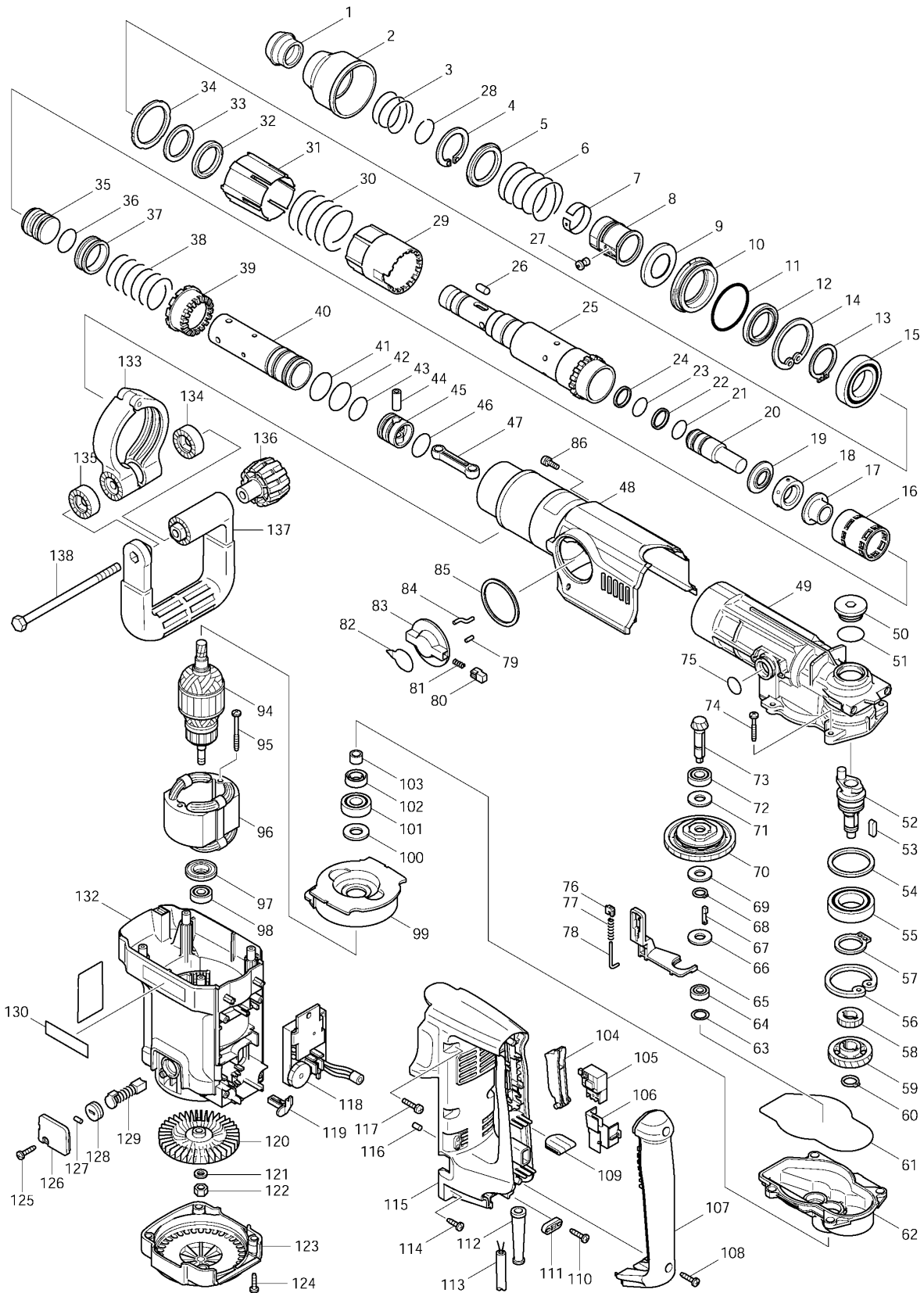
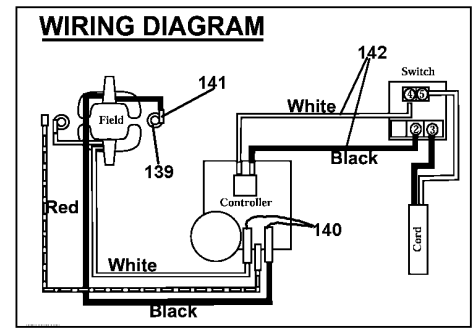
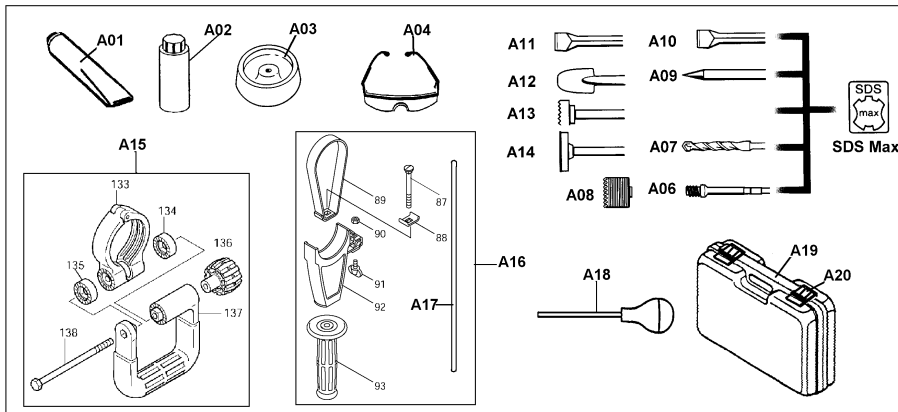




# 1-3/4" ROTARY HAMMER, SDS-MAX

## Model HR4500C (MJ)





Item No.	Part No.	No. Used	Description	Item No.	Part No.	No. Used	Description
1	286259-5	1	Tool Holder Cap	47	417432-8	1	Rod
2	417459-8	1	Chuck Cover	48	152766-9	1	Crank Housing Cover Com.
3	233178-6	1	Compression Spring 46	49	152764-3	1	Crank Housing Com.
4	961186-4	1	Retaining Ring WR-40	50	416124-6	1	Crank Cap
5	344489-5	1	Washer 40	51	213406-5	1	O Ring 30
6	233179-4	1	Compression Spring 50	52	324065-1	1	Crank Shaft
7	232171-7	1	Leaf Spring 37	53	254218-7	2	Key 5
8	322948-9	1	Chuck Ring	54	267219-6	1	Flat Washer 45
9	344488-7	1	Cup Washer 32	55	211418-2	1	Ball Bearing 6006LLU
10	417435-2	1	Seal Case	56	962252-0	1	Retaining Ring R-55
11	213669-3	1	O Ring 56	57	961110-7	1	Retaining Ring S-30
12	213480-3	1	Oil Seal 35	58	227017-0	1	Spur Gear 22
13	961153-9	1	Retaining Ring S-35	59	226533-9	1	Helical Gear 37
14	962301-3	1	Retaining Ring R-62	60	961056-7	1	Retaining Ring S-16
15	211471-8	1	Ball Bearing 6007LLU	61	421768-9	1	Seal Ring
16	417434-4	1	Slide Sleeve	62	152765-1	1	Gear Housing Com. (Includes 212052-1 - Needle Bearing 1010)
17	331589-0	1	Sleeve 19	63	253314-8	1	Thin Washer 15
18	421767-1	1	Rubber Ring 22	64	210024-0	1	Ball Bearing 608LLU
19	331597-1	1	Washer 19	65	417438-6	1	Change Link
20	324088-9	1	Impact Bolt	66	253810-6	1	Flat Washer 12
21	213317-4	1	O Ring 20	67	322951-0	2	Change Key
22	213392-0	1	Fluoride Ring 25	68	961052-5	1	Retaining Ring S-12
23	213317-4	1	O Ring 20	69	267113-2	1	Flat Washer 12
24	213392-0	1	Fluoride Ring 25	70	152954-8	1	Torque Limiter Com.
25	324064-3	1	Tool Holder	71	267113-2	1	Flat Washer 12
26	322908-1	2	Roller 8	72	211138-8	1	Ball Bearing 6001LLU
27	310052-6	1	Shoulder Pin 8	73	227405-1	1	Spiral Bevel Gear 10
28	231984-3	1	Ring Spring 25	74	266012-5	4	Tapping Screw 5X35
29	417437-8	1	Lock Sleeve A	75	213304-3	1	O Ring 20
30	233300-5	1	Compression Spring 55	76	416289-4	1	Slide Plate
31	417436-0	1	Lock Sleeve B	77	233180-9	1	Compression Spring 3
32	262093-7	1	Urethan Ring 35	78	322963-3	1	Guide Pin 2
33	267221-9	1	Flat Washer 35	79	256122-6	1	Pin 4
34	267222-7	1	Flat Washer 49	80	417340-3	1	Lock Button
35	324089-7	1	Striker	81	233188-3	1	Compression Spring 2.4
36	213440-5	1	O Ring 27	82	816329-2	1	Indication Label
37	331599-7	1	Ring 38	83	416287-8	1	Change Lever
38	233299-4	1	Compression Spring 39	84	322962-5	1	Crank Pin 4
39	227401-9	1	Spiral Bevel Gear 36	85	421698-4	1	Dustproof Washer 55
40	331592-1	1	Cylinder 34	86	911128-8	1	P.H. Screw M4X16
41	213486-1	1	O Ring 35	87	266163-4	1	Cup Square Neck Bolt M8X80
42	213486-1	1	O Ring 35	88	344492-6	1	Plate
43	213440-5	1	O Ring 27	89	344949-7	1	Grip Spring 75
44	331598-9	1	Pipe 10	90	931302-2	1	Hex. Nut M6
45	417433-6	1	Piston				
46	213440-5	1	O Ring 27				



## Free Manuals Download Website

<http://myh66.com>

<http://usermanuals.us>

<http://www.somanuals.com>

<http://www.4manuals.cc>

<http://www.manual-lib.com>

<http://www.404manual.com>

<http://www.luxmanual.com>

<http://aubethermostatmanual.com>

Golf course search by state

<http://golfingnear.com>

Email search by domain

<http://emailbydomain.com>

Auto manuals search

<http://auto.somanuals.com>

TV manuals search

<http://tv.somanuals.com>