

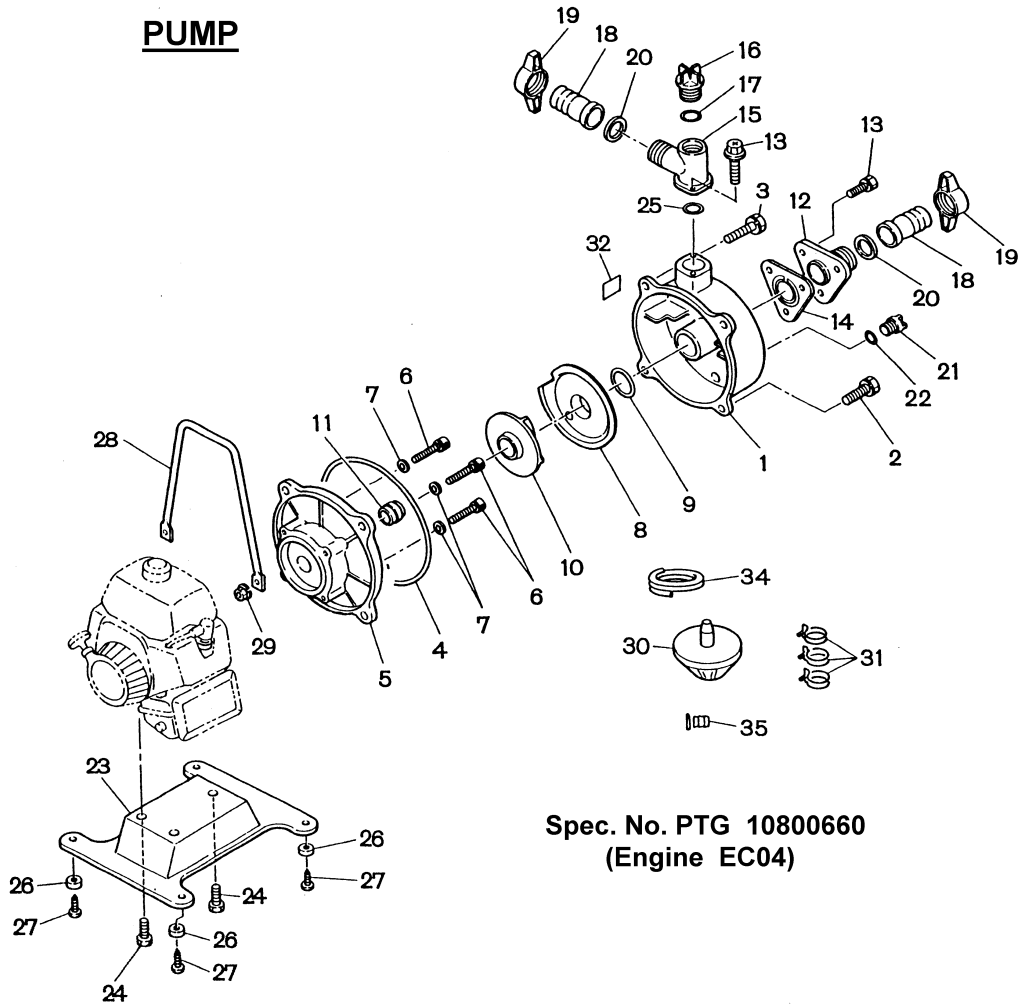


1" WATER PUMP

Model EW100R

(Spec. No. EC04ER*0254)
(Engine Model No. EC04ER)

PUMP

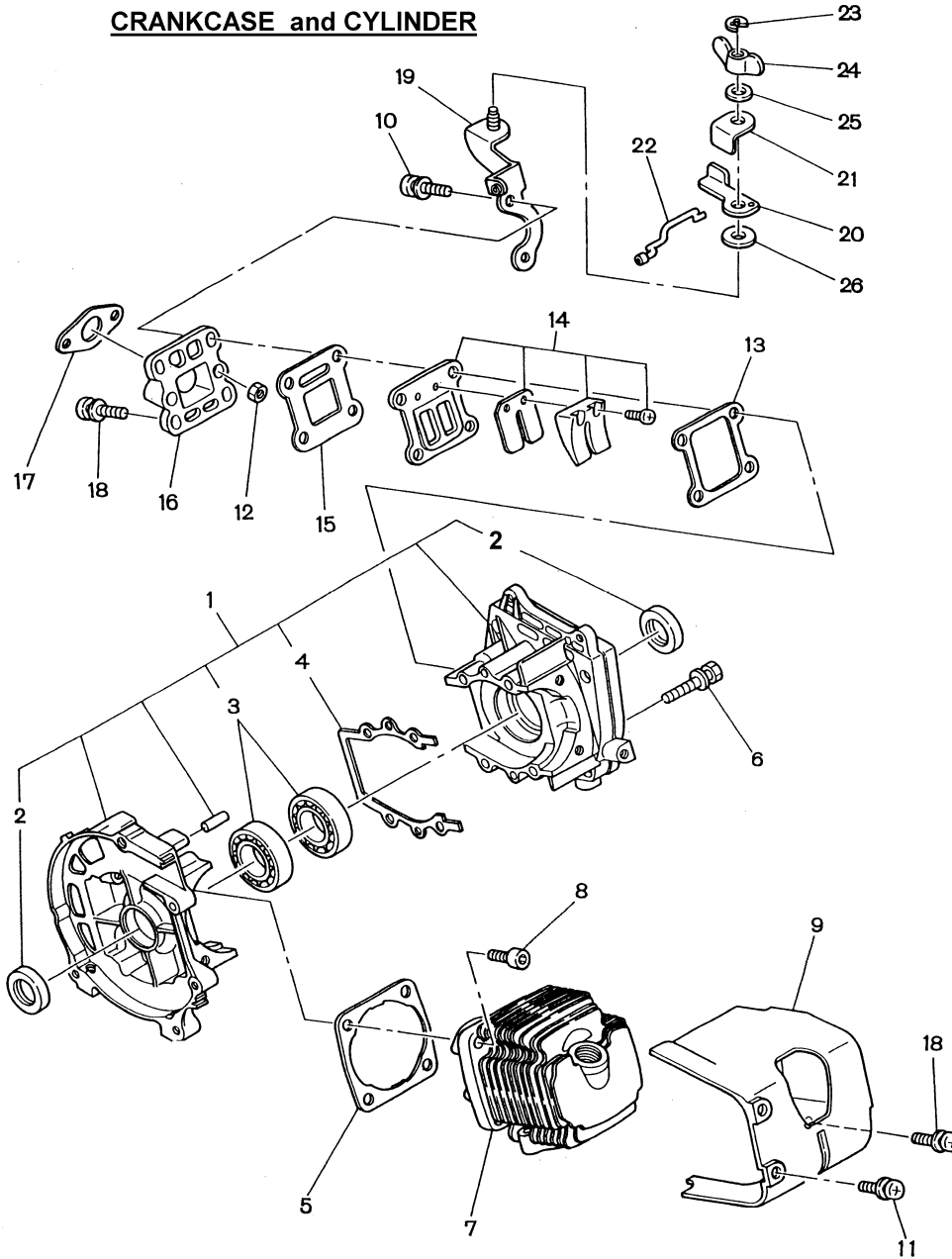


Spec. No. PTG 10800660
(Engine EC04)

Item No.	Part No.	No. Used	Description	Item No.	Part No.	No. Used	Description
1	480-02510-01	1	Casing	18	481-00001-22	2	Hose Coupling
2	10480-05010-14	2	Bolt & Washer Assy M8x25	19	481-00001-23	2	Hose Coupling Handle
3	10480-05010-23	2	Bolt & Washer Assy M8x40	20	480-02510-17	2	Packing
4	480-02510-02	1	O Ring	21	10480-05010-21	1	Plug
5	480-02510-04	1	Casing Cover	22	10480-05010-22	1	O Ring
6	480-02510-05	4	Socket Head Bolt M6x40	23	480-02510-36	1	Base
7	480-02510-08	4	Washer	24	480-02510-23	3	Bolt M5x20
8	480-02510-11	1	Inner Casing	25	480-02510-20	1	O Ring
9	480-02510-12	1	O Ring	26	480-02510-31	4	Base Cushion
10	480-02510-09	1	Impeller	27	480-02510-38	4	Tapping Screw M5x14
11	480-02510-10	1	Mechanical Seal	28	480-02510-35	1	Handle
12	480-02510-13	1	Valve Case	29	10480-10010-24	2	Nut & Washer Assy M8
13	480-02510-14	5	Bolt & Washer Assy M6x20	30	480-02550-29	1	Strainer
14	480-02510-15	1	Check Valve	31	480-02510-28	3	Hose Band
15	480-02510-19	1	Delivery Bend	32	482-00123-03	1	Label
16	10480-05010-21	1	Plug	34	480-02540-36	1	Suction Hose (3M)
17	10480-05010-22	1	O Ring	35	480-02530-18	1	Hose Coupling

05-2003

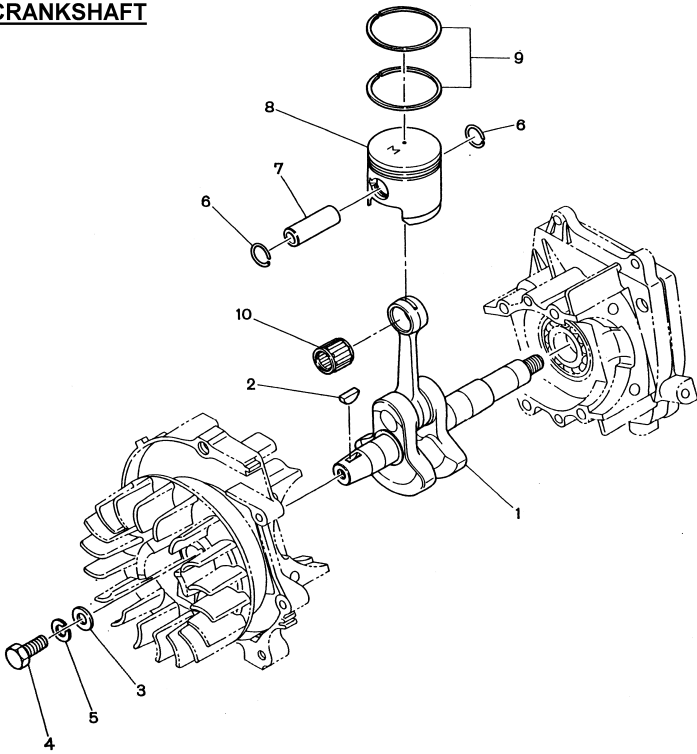
CRANKCASE and CYLINDER



Item No.	Part No.	No. Used	Description	Item No.	Part No.	No. Used	Description
1	541-10050-00	1	Crankcase Com. (Includes Items 2 - 4)	13	541-35028-00	1	Lead Valve Gasket
2	044-01599-50	2	Oil Seal (Old 044-01599-71)	14	541-30070-00	1	Lead Valve Assy
3	060-01500-60	2	Ball Bearing (Old 060-01598-80)	15	541-35012-00	1	Packing
4	541-15012-00	1	Gasket	16	541-35033-00	1	Insulator
5	541-15005-01	1	Cylinder Packing (Old 541-15005-00)	17	541-65023-00	1	Carburetor Gasket
6	011-90599-40	4	Socket Head Bolt	18	004-37052-00	3	Screw & Washer Assy
7	541-15003-00	1	Cylinder Com.	19	541-40010-00	1	Throttle Lever Com.
8	011-90699-90	4	Socket Head Bolt M6x18	20	541-45001-00	1	Throttle Lever
9	541-55046-00	1	Cylinder Cover	21	541-45003-00	1	Stop Plate
10	004-35052-20	2	Screw Assy	22	541-40020-00	1	Rod Com.
11	004-37051-40	1	Screw & Washer Assy	23	129-45001-03	1	Clip
12	002-17050-00	1	Nut	24	017-80600-10	1	Wing Nut
				25	020-00700-10	1	Washer
				26	021-70600-20	1	Friction Washer

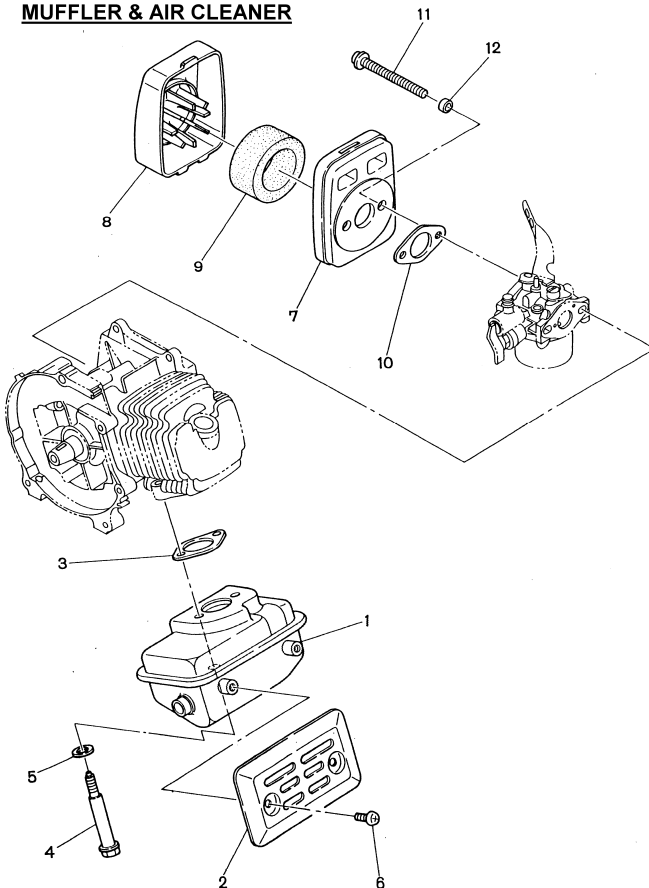
2 Model EW100R

CRANKSHAFT



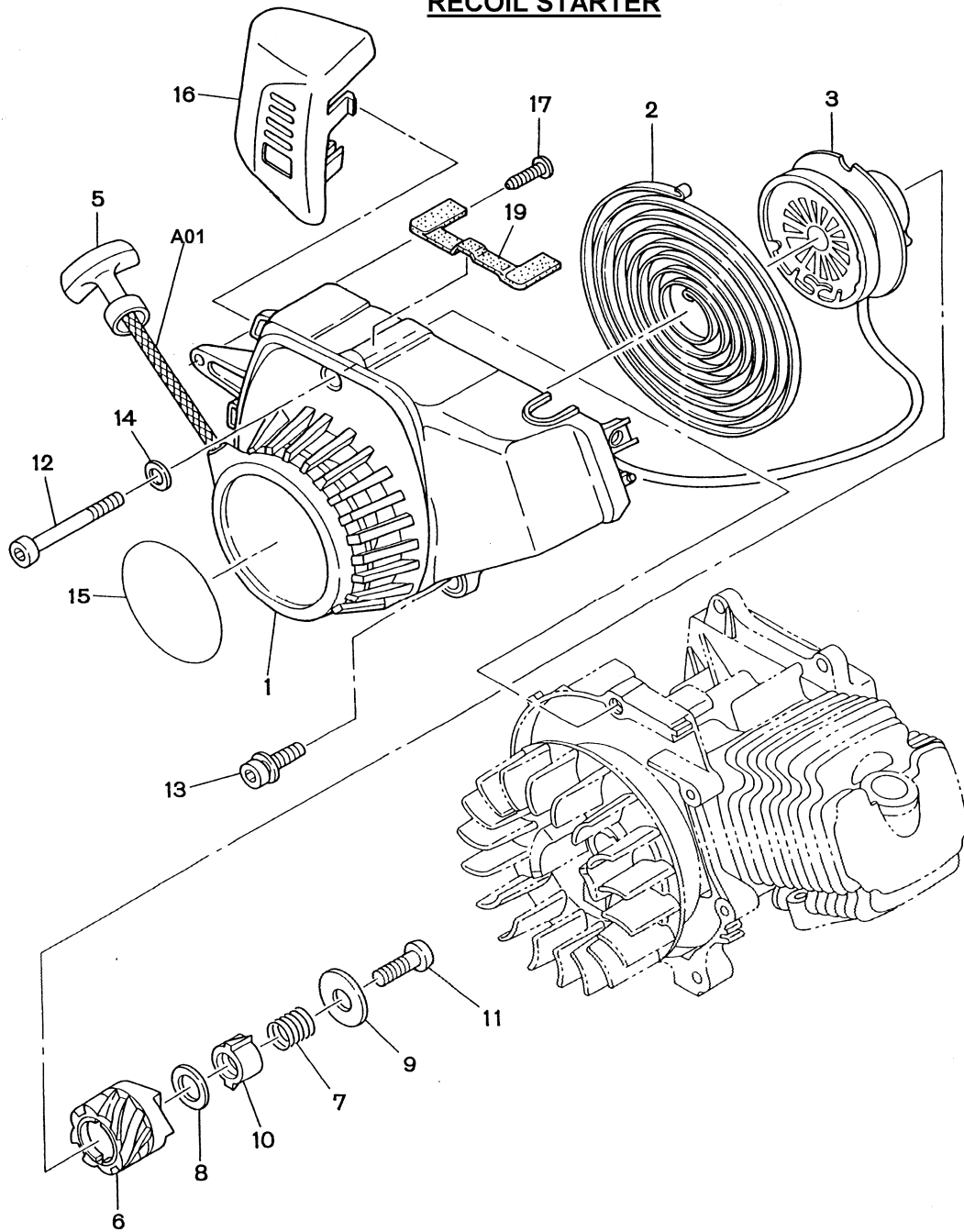
Item No.	Part No.	No. Used	Description
1	541-20070-00	1	Crankshaft Assy
2	005-32031-01	1	Woodruff Key
3	020-00699-20	1	Washer
4	001-67061-60	1	Bolt
5	EY003-20060-00	1	Spring Washer
6	056-50999-90	2	Clip
7	541-25003-00	1	Piston Pin
8	541-25008-00	1	Piston
9	540-25006-00	2	Piston Ring

MUFFLER & AIR CLEANER



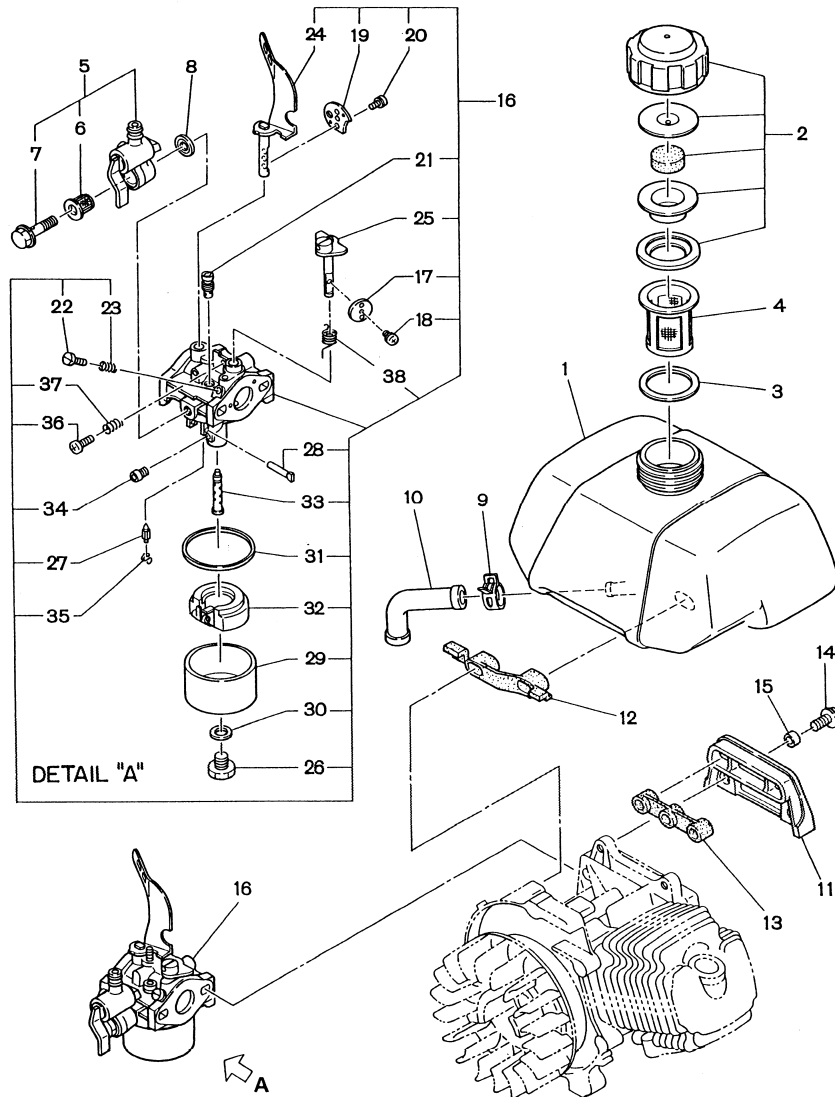
Item No.	Part No.	No. Used	Description
10541-25013-00		1	Needle Bearing
1	541-30280-00	1	Muffler Com.
2	540-35024-00	1	Muffler Cover
3	530-35007-00	1	Gasket
4	011-90698-30	2	Socket Head Bolt
5	EY003-10060-00	2	Washer
6	014-00599-62	2	Screw
7	541-35034-00	1	Cleaner Body
8	541-35035-02	1	Cleaner Cover
9	541-35009-00	1	Filter
10	541-35041-00	1	Gasket
11	004-37066-50	2	Screw & Washer Assy

RECOIL STARTER



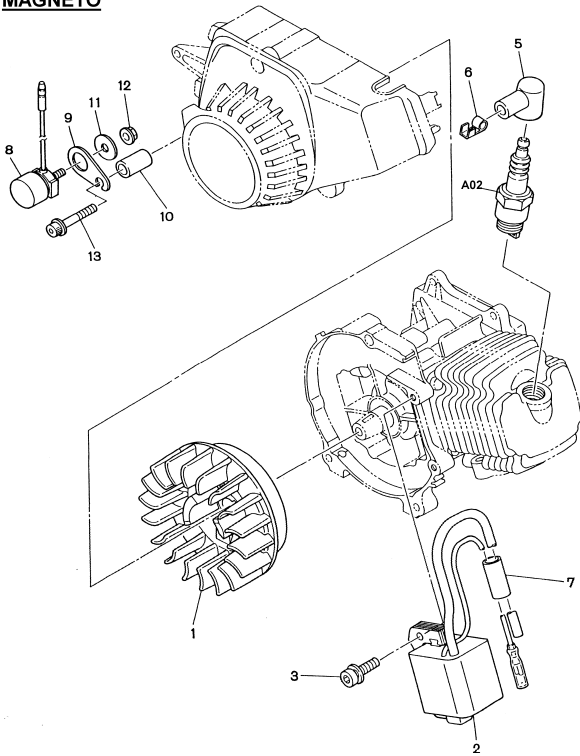
Item No.	Part No.	No. Used	Description	Item No.	Part No.	No. Used	Description
12	023-00698-20	2	Spacer	11	524-50010-10	1	Set Screw M5
1	541-50380-00	1	Recoil Starter Assy (Includes Items 2, 3, 5 - 11, & A01)	12	011-90598-10	1	Socket Head Bolt
2	541-50010-30	1	Spiral Spring	13	011-90597-90	1	Socket Head Bolt M5x22
3	541-50010-10	1	Reel	14	003-10050-00	1	Washer
5	530-50021-10	1	Starter Knob	15	540-95032-00	1	Label
6	541-50010-20	1	Ratchet	16	541-55053-00	1	Cover
7	541-50010-50	1	Friction Spring	17	621-85015-00	1	Screw
8	541-50012-20	1	Thrust Washer	19	541-65036-00	1	Damper
9	541-50010-60	1	Washer				
10	541-50010-40	1	Ratchet Guide				
				Accessories			

FUEL, LUBRICANT



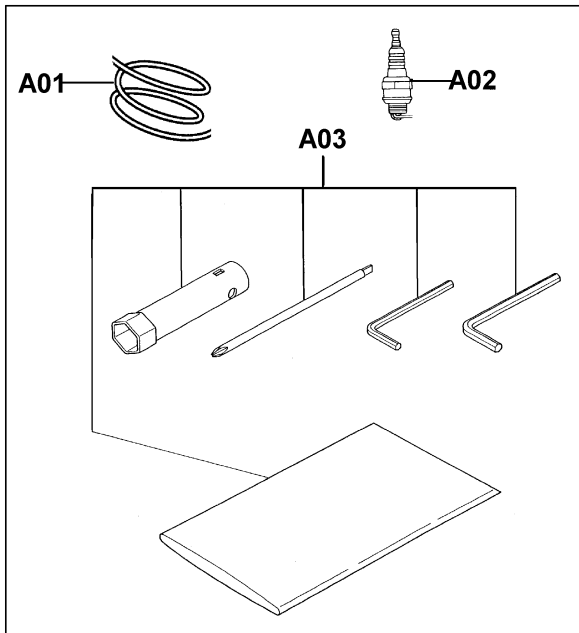
Item	Part	No.	Description	No.	No.	Used	Description
A01	541-50011-40	1	Starter Rope	18	EY237-62451-08	1	Screw
1	541-65012-00	1	Fuel Tank Com.	19	230-62527-08	1	Choke Valve
2	510-60130-01	1	Fuel Tank Cap Assy	20	EY237-62451-08	2	Screw
3	551-65005-01	1	Packing	21	209-62421-08	1	Pilot Jet
4	064-12799-90	1	Filter	22	213-62390-08	1	Adjuster
5	541-60100-00	1	Strainer Cock Assy (Includes Items 6 & 7)	23	EY209-62445-08	1	Spring
6	541-65022-00	1	Strainer Filter	24	541-60021-40	1	Choke Shaft Assy
7	541-65021-00	1	Pipe Bolt	25	541-60021-30	1	Throttle Shaft Assy
8	690-45005-00	1	Seal Washer	26	EY129-62351-08	1	Bolt
9	056-11399-82	1	Hose Clamp	27	541-60023-10	1	Needle Assy
10	541-65002-00	1	Fuel Hose	28	EY214-62515-08	1	Pin
11	541-65003-00	1	Tank Bracket Com.	29	230-62550-08	1	Float Chamber Body
12	541-65035-00	1	Damper	30	209-62345-08	1	Insert Washer
13	541-65011-00	1	Damper	31	230-62540-08	1	Packing
14	001-17051-40	2	Bolt Assy	32	541-60022-10	1	Float Assy
15	023-00599-90	2	Spacer	33	541-60022-20	1	Main Nozzle
16	541-60020-01	1	Carburetor Assy (Includes Items 17 - 38) (Old 541-60020-00)	34	128-62400-08	1	Main Jet
17	230-62537-08	1	Throttle Valve	35	230-62454-08	1	Clip
				36	EY209-62352-08	1	Screw
				37	EY209-62445-08	1	Spring

MAGNETO



Item No.	Part No.	No. Used	Description
38	541-60020-40	1	Spring
1	541-70030-11	1	Flywheel
2	541-70030-21	1	Ignition Coil
3	011-90597-90	2	Socket Head Bolt M5x22
5	065-50099-40	1	Spark Plug Cap
6	065-40099-31	1	Plug Cap Spring
7	541-75003-00	1	Tube
8	066-20098-10	1	Stop Switch
9	540-75008-00	1	Plate
10	023-00697-80	1	Spacer
11	003-12040-00	1	Washer
12	002-37040-00	1	Flange Nut
13	011-90595-90	1	Socket Head Bolt M5x40

Accessories



Item No.	Part No.	No. Used	Description
A02	065-01497-10	1	Spark Plug
Accessories			
A01	541-50011-40	1	Starter Rope
A02	965 603 022	1	Spark Plug (Old 065-01497-10)
A03	530-90030-00	1	Accessory Tool Kit

Free Manuals Download Website

<http://myh66.com>

<http://usermanuals.us>

<http://www.somanuals.com>

<http://www.4manuals.cc>

<http://www.manual-lib.com>

<http://www.404manual.com>

<http://www.luxmanual.com>

<http://aubethermostatmanual.com>

Golf course search by state

<http://golfingnear.com>

Email search by domain

<http://emailbydomain.com>

Auto manuals search

<http://auto.somanuals.com>

TV manuals search

<http://tv.somanuals.com>