



Item: _____
 Quantity: _____
 Project: _____
 Approval: _____
 Date: _____

Cuisine Series Heavy Duty Griddle Top Range

Models:

- C836-72-1 C0836-72 C0836-72-1 C0836-72M C0836-72-1M

Range with 72" Griddle Valve or Thermostat Controlled



Model C0836-72-1
(With Optional Doors)

Standard Features:

- Griddle top with 1" (25mm) thick steel plate.
- Full-range valve control (-72)
- Griddle control, with embedded thermostat sensor bulb Low to 500F (260C) (-72-1)
- Stainless front and sides
- Stainless steel front rail w/ position adjustable bar
- 1 1/4" NPT front gas manifold
- Can be connected individually or in a battery
- 6" (152mm) high stainless steel stub back
- 6"(152mm) chrome steel adj. legs

Model C836-72-1

- Storage & single oven with 40,000 BTU oven burner
- Stainless steel oven interior w/ removable porcelain bottom
- Chrome plated rack with four positions, 1 per oven
- Fully insulated oven interior
- 100% safety oven pilot
- Oven thermostat control - 150°-500°F (66°-260°C)

Optional Features:

- Grooved griddle - (12"W sections)
- Porcelain oven interior in lieu of stainless steel interior NC
- Single or double deck high shelf or back riser
- Modular unit with legs and shelf (suffix M)
- Modular unit w/o legs on Refrig. Base (change suffix M to PC)
- Stainless steel intermediate shelf for cabinet base
- Stainless steel door(s) for cabinet base units
- Stainless steel back
- Continuous plate shelf, 48-72" for battery installations
- Gas shut-off valves - 3/4", 1", 1 1/4" NPT (Specify size)
- Gas regulator: 3/4"- 1 1/4" NPT (Specify)
- Gas flex hose w/ quick disconnect 3/4", 1", 1 1/4" (Specify)
- Stainless steel legs (set of four)
- Flanged feet, set of four
- Swivel casters (4) w/ front locking
- Casters w/ polyurethane wheels - non marking
- Extra oven rack
- Rear Gas Connection; 3/4" NPT (max 250,000 BTU's)
- Stainless steel burner box top interior

Specifications:

U.S. Range Cuisine 72" (1829mm) wide Heavy Duty Range Series. Model _____ with total BTU/hr rating of _____ when used with natural/propane gas. Stainless steel front and sides. 6" (152mm) legs with adjustable feet.

Oven - One piece oven door. Stainless steel oven interior with a heavy-duty, "keep-cool" door handle. Oven comes with a thermostat with a temperature range from 150° (low) to 500°F (66°-260°C). One chrome plated oven rack included. (Available on model C836-72-1).

Griddle Tops - 1" (25mm) thick steel plate griddle with 3" (76mm) wide grease trough. Burners rated 30,000 BTU/hr each. One burner per 12" (305mm) section.



NOTE: Ranges supplied with casters must be installed with an approved restraining device.

Garland Commercial Ranges Ltd.
 1177 Kamato Road,
 Mississauga, Ontario
 L4W 1X4 CANADA

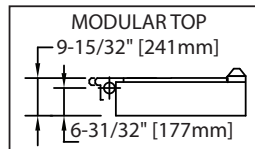
General Inquires 1-905-624-0260
 USA Sales, Parts and Service 1-800-424-2411
 Canadian Sales 1-888-442-7526
 Canada or USA Parts/Service 1-800-427-6668



Model #	Description	Total BTU (NAT. Gas)	Shipping	
			Cu Ft	Lb/Kg
C0836-72	72" Manual Valve Control Griddle- w/ (2) 36" Cabinets	180,000	80	1350/612
C0836-72M	72" Manual Valve Control Griddle - Modular Top	180,000	40	1120/508
C836-72-1	72" Thermostat Control Griddle - w/(1)Std. Oven & 36" Cabinet	220,000	80	1220/508
C0836-72-1	72" Thermostat Control Griddle- w/ (2) 36" Cabinets	180,000	80	1350/612
C0836-72-1M	72" Thermostat Control Griddle - Modular Top	180,000	40	1120/508

Combustible Wall Clearance	
Sides	Back
6" (152mm)	6" (152mm)

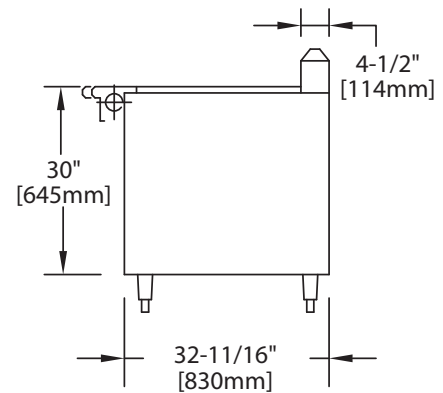
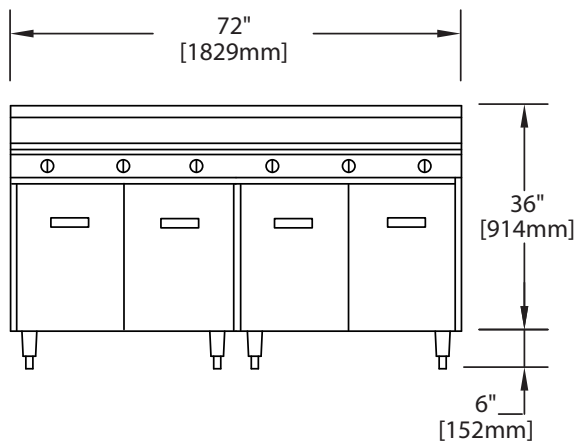
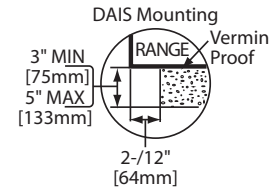
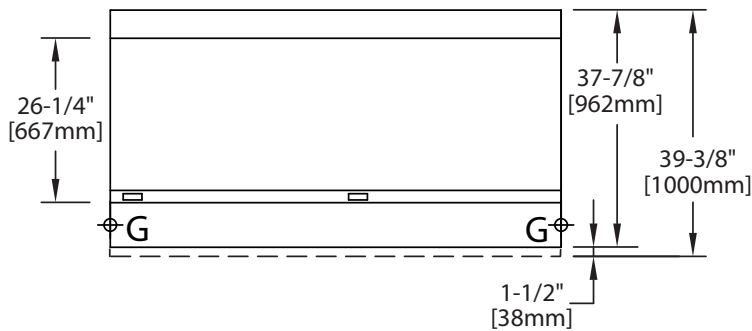
Interior Dimensions: In (mm)			
Product	Height	Width	Depth
Oven	13-1/2(323)	26-1/4 (667)	29 (737)
Cabinet Base	20-1/2 (521)	32-1/4(819)	31 (787)



Individual Burner Ratings (BTU/hr)		
Burner	NAT.	PRO.
Griddle	30,000	
Oven	40,000	35,000

Gas Pressure	NAT.	PRO.
Min. Supply	7" WC	11" WC
Operating	6" WC	10" WC

Gas Manifold 1-1/4" NPT



Form# C836-72 (08/16/11)

Free Manuals Download Website

<http://myh66.com>

<http://usermanuals.us>

<http://www.somanuals.com>

<http://www.4manuals.cc>

<http://www.manual-lib.com>

<http://www.404manual.com>

<http://www.luxmanual.com>

<http://aubethermostatmanual.com>

Golf course search by state

<http://golfingnear.com>

Email search by domain

<http://emailbydomain.com>

Auto manuals search

<http://auto.somanuals.com>

TV manuals search

<http://tv.somanuals.com>