



Manitowoc

SOLID STATE RELAY ASSY.

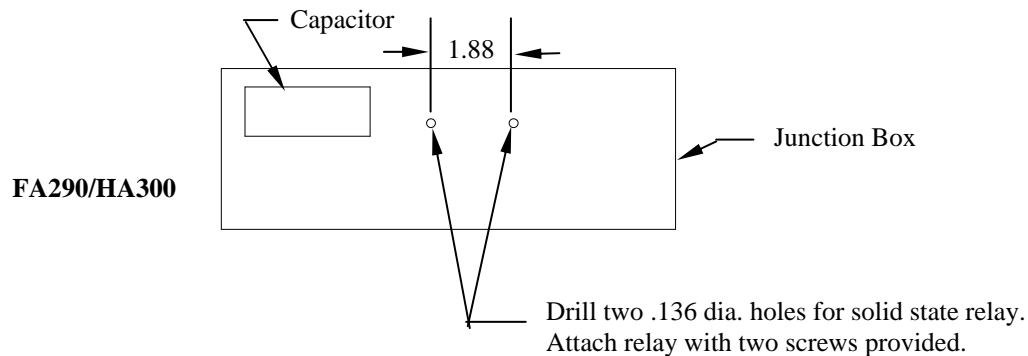
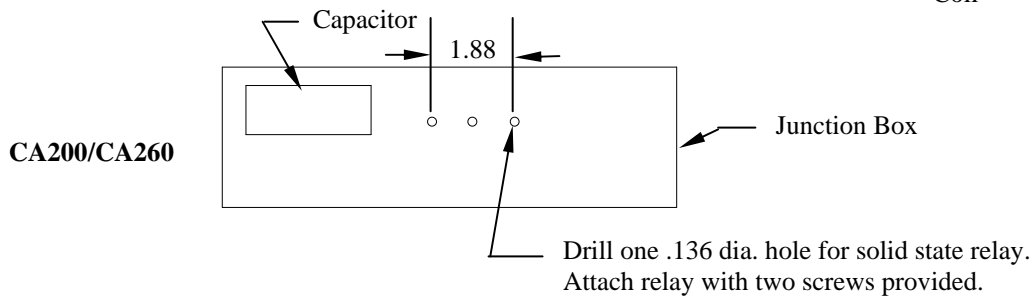
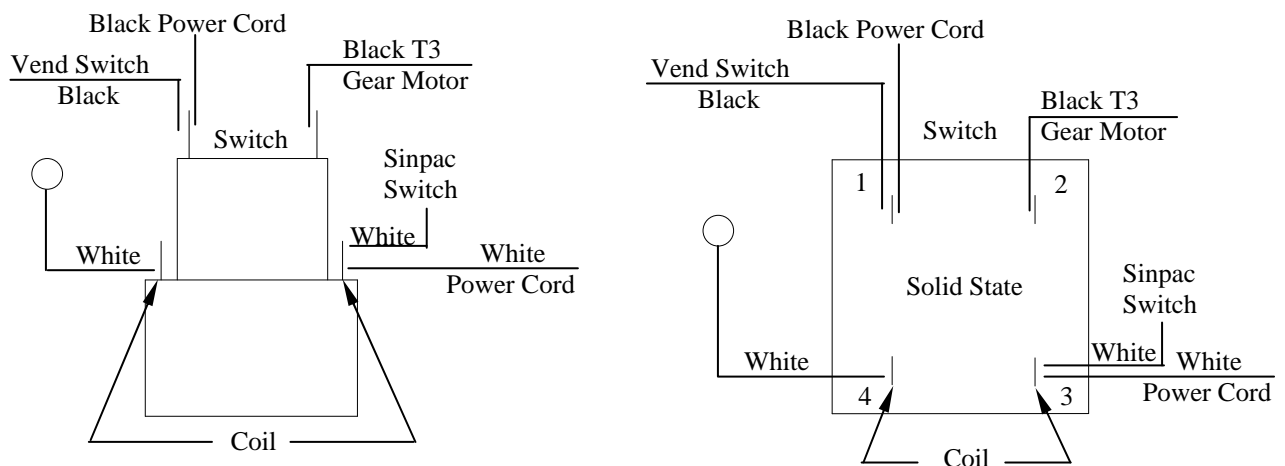
FOR CA200, CA260, FA290 AND HA300 DISPENSERS

IMPORTANT

Before replacing this relay on a QPA310 ice dispenser:

- Check for moisture on the two-pin Molex connector for the dispense switch wiring harness.
- If moisture is present, dry and seal the ends of the connector with silicone sealant.

Moisture on this connector can simulate a defective relay.



Free Manuals Download Website

<http://myh66.com>

<http://usermanuals.us>

<http://www.somanuals.com>

<http://www.4manuals.cc>

<http://www.manual-lib.com>

<http://www.404manual.com>

<http://www.luxmanual.com>

<http://aubethermostatmanual.com>

Golf course search by state

<http://golfingnear.com>

Email search by domain

<http://emailbydomain.com>

Auto manuals search

<http://auto.somanuals.com>

TV manuals search

<http://tv.somanuals.com>