



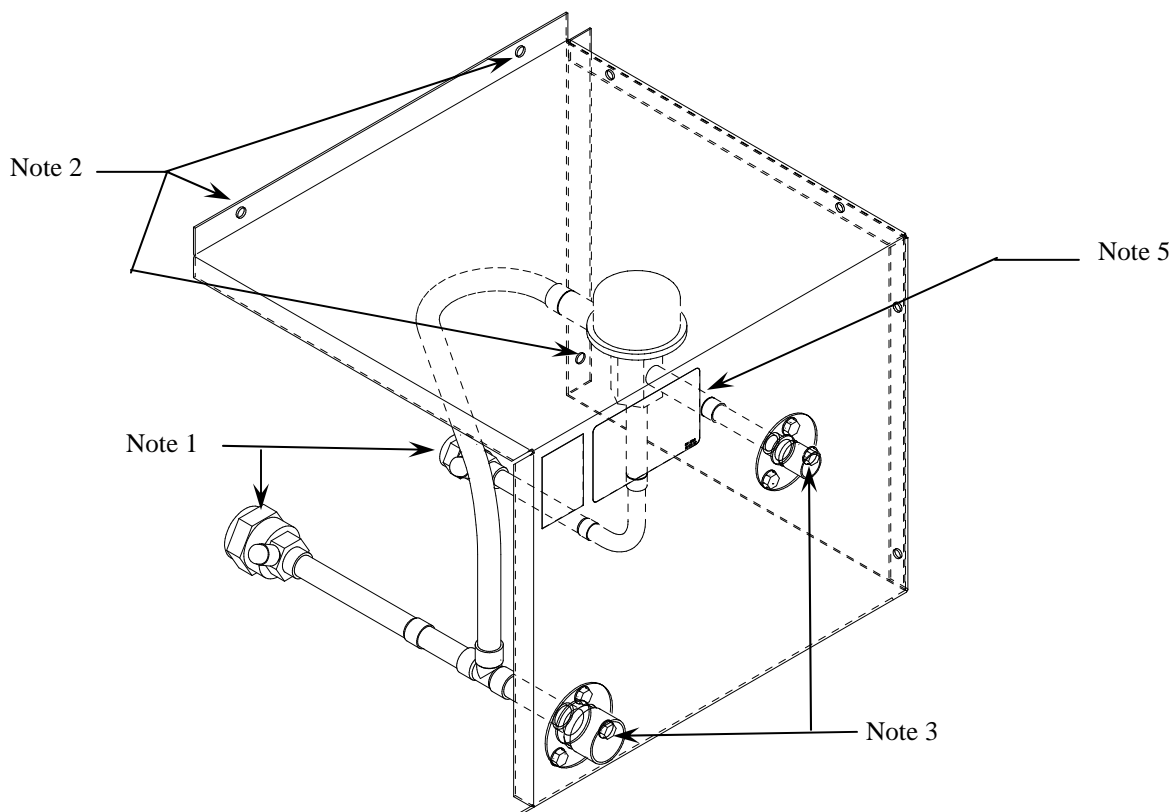
**Manitowoc**

# K00221 MAC-X HEADMASTER KIT Installation Instructions

## **IMPORTANT - Refrigerant line lengths must not exceed 50 feet.**

1. Lubricate the female fittings with refrigerant oil and install the assembly of the quick-connect fittings on the MAC-X condensing unit.
2. The metal enclosure attaches to the MAC-X condensing unit with three screws from the unit, two screws on top and one screw at the bottom. Mark and drill three 5/32" diameter holes.
3. The remote tubing line set attaches to the male fittings provided on the headmaster kit. Refrigerant oil must be used to lubricate the fittings.
4. Leak check all joints.
5. Place the four labels, 8136193, included, as follows: two on the ice machine (one by each serial plate), one, as shown below, and one at the discretion of the installer.
6. **ATTENTION INSTALLER:** Add the following refrigerant at the time of installation:

Q-0600 Series - add four (4) pounds	S-0500 Series - will not function with MAC unit
Q-0800 Series - add four (4) pounds	S-0600 Series - add four (4) pounds
Q-1000 Series - add two (2) pounds	S-0800 Series - add four (4) pounds
Q-1300 Series - Add nothing	S-1000 Series - add four (4) pounds
	S-1400 Series - add two (2) pounds
	S-1600 Series - add two (2) pounds
	S-1800 Series - add two (2) pounds



## Free Manuals Download Website

<http://myh66.com>

<http://usermanuals.us>

<http://www.somanuals.com>

<http://www.4manuals.cc>

<http://www.manual-lib.com>

<http://www.404manual.com>

<http://www.luxmanual.com>

<http://aubethermostatmanual.com>

Golf course search by state

<http://golfingnear.com>

Email search by domain

<http://emailbydomain.com>

Auto manuals search

<http://auto.somanuals.com>

TV manuals search

<http://tv.somanuals.com>