

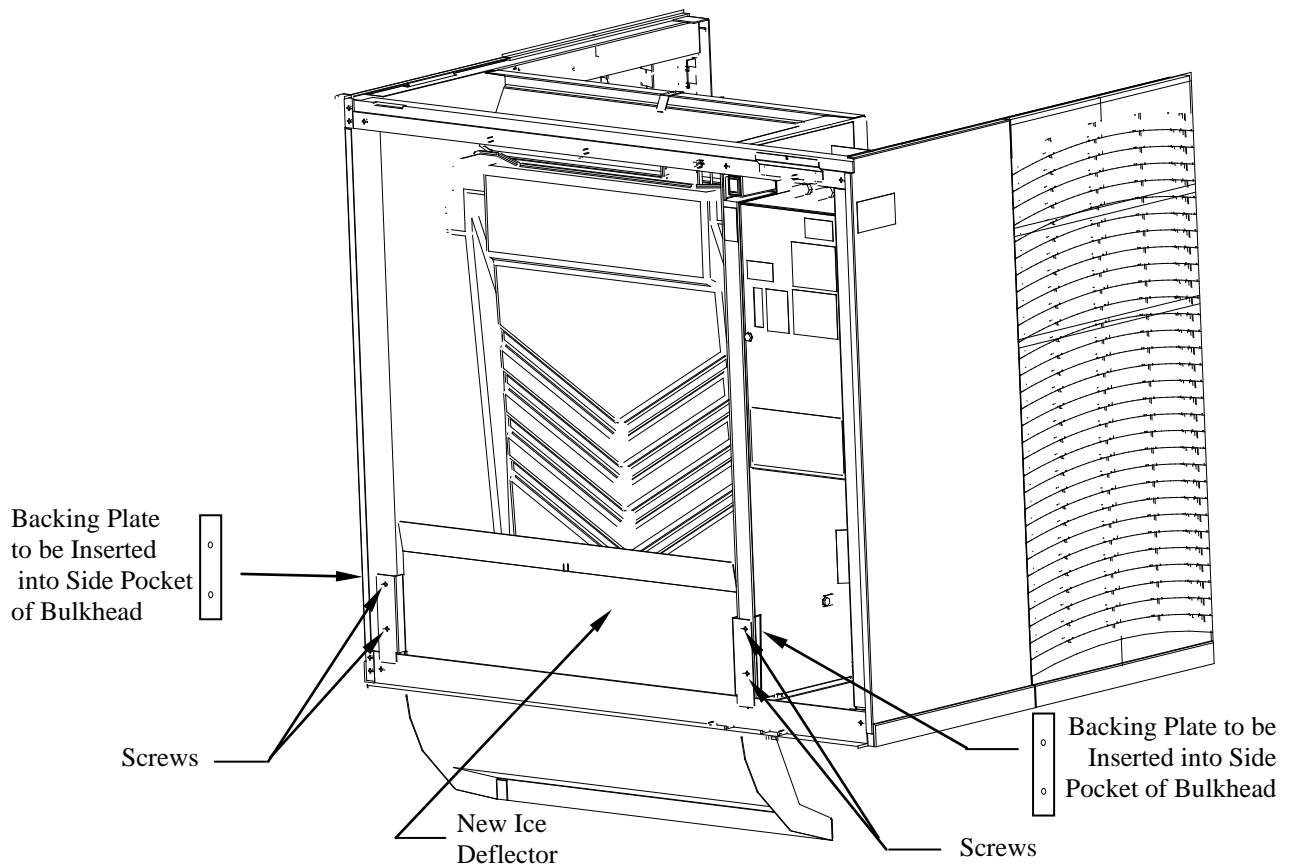


Manitowoc

K00347 ICE DEFLECTOR KIT Installation Instructions

The K00347, ice deflector kit, must be used with the S-0300, S-0450, S-0500, S-0600, S-0850, and S-1000 ice machines, when the ice machine is used on a non-Manitowoc ice storage bin.

1. Remove both front panels.
2. Examine the ice machine to see if the machine has four screws on the lower front plastic panels (see drawing).
3. If there are screws, remove them from the countersunk holes on the front surface of the machine. Save the screws.
4. Install the deflector, using the four screws that were removed in step 3.
5. Four screws and two backing plates are in the kit.
6. If there are no screws on the ice machine (step 2), pierce the thin plastic countersunk holes, install the backing plates, and install the deflector, using the screws from the kit.
7. Replace the front panels.



Manitowoc Ice, Inc.

2110 South 26th Street, P.O. Box 1720, Manitowoc, WI 54221-1720 USA

Telephone 920-682-0161, Fax - Sales: 920-683-7589, Service/Parts: 920-683-7585, Other: 920-683-7879

Web Site - www.manitowocice.com

8015103

Rev. 07/06/04

Free Manuals Download Website

<http://myh66.com>

<http://usermanuals.us>

<http://www.somanuals.com>

<http://www.4manuals.cc>

<http://www.manual-lib.com>

<http://www.404manual.com>

<http://www.luxmanual.com>

<http://aubethermostatmanual.com>

Golf course search by state

<http://golfingnear.com>

Email search by domain

<http://emailbydomain.com>

Auto manuals search

<http://auto.somanuals.com>

TV manuals search

<http://tv.somanuals.com>