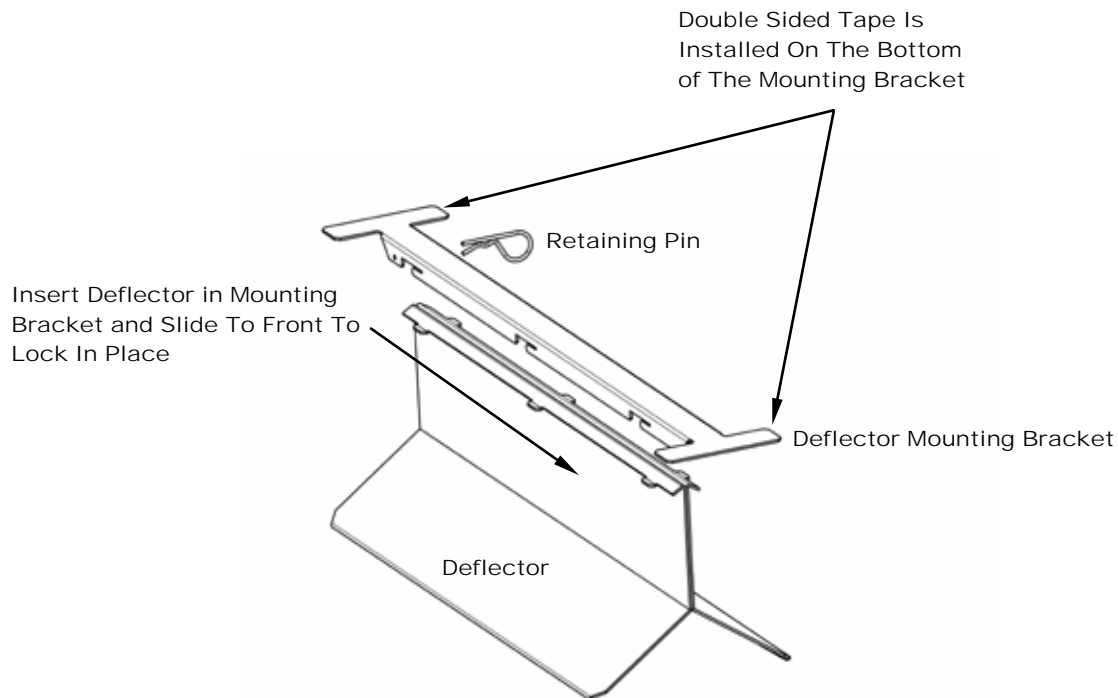




K00382 Ice Deflector Installation Instructions

1. Locate correct position for the deflector.
 - If the ice machine is installed, remove the water trough to obtain easier access.
 - The deflector must be located in the center of the drop zone.
 - Location is 11" from the left edge of ice machine to the left edge of the mounting bracket.
2. Cut and remove the foam tape on the front and back of the bin where the deflector will be located.
3. Remove any residual adhesive; areas must be clean and dry.
4. Remove protective covering from two sided tape on the bottom side of the deflector bracket.
5. Install the deflector bracket.
 - Distribute the mounting bracket equally on the front and back of the bin.
 - Locate the retaining pin to the back.
 - Press the mounting bracket into place.
6. Trim supplied foam tape to length of cut from step 2 and apply over the top of the deflector. Seal edges where deflector mounting bracket meets foam tape with silicone sealant to prevent water leakage.
7. Install deflector into mounting bracket.
 - Align tabs and slide deflector toward the front of the bin.
 - Insert retaining pin into hole in mounting bracket to lock deflector in place.
 - Reinstall water trough if removed in step 1.



Free Manuals Download Website

<http://myh66.com>

<http://usermanuals.us>

<http://www.somanuals.com>

<http://www.4manuals.cc>

<http://www.manual-lib.com>

<http://www.404manual.com>

<http://www.luxmanual.com>

<http://aubethermostatmanual.com>

Golf course search by state

<http://golfingnear.com>

Email search by domain

<http://emailbydomain.com>

Auto manuals search

<http://auto.somanuals.com>

TV manuals search

<http://tv.somanuals.com>