

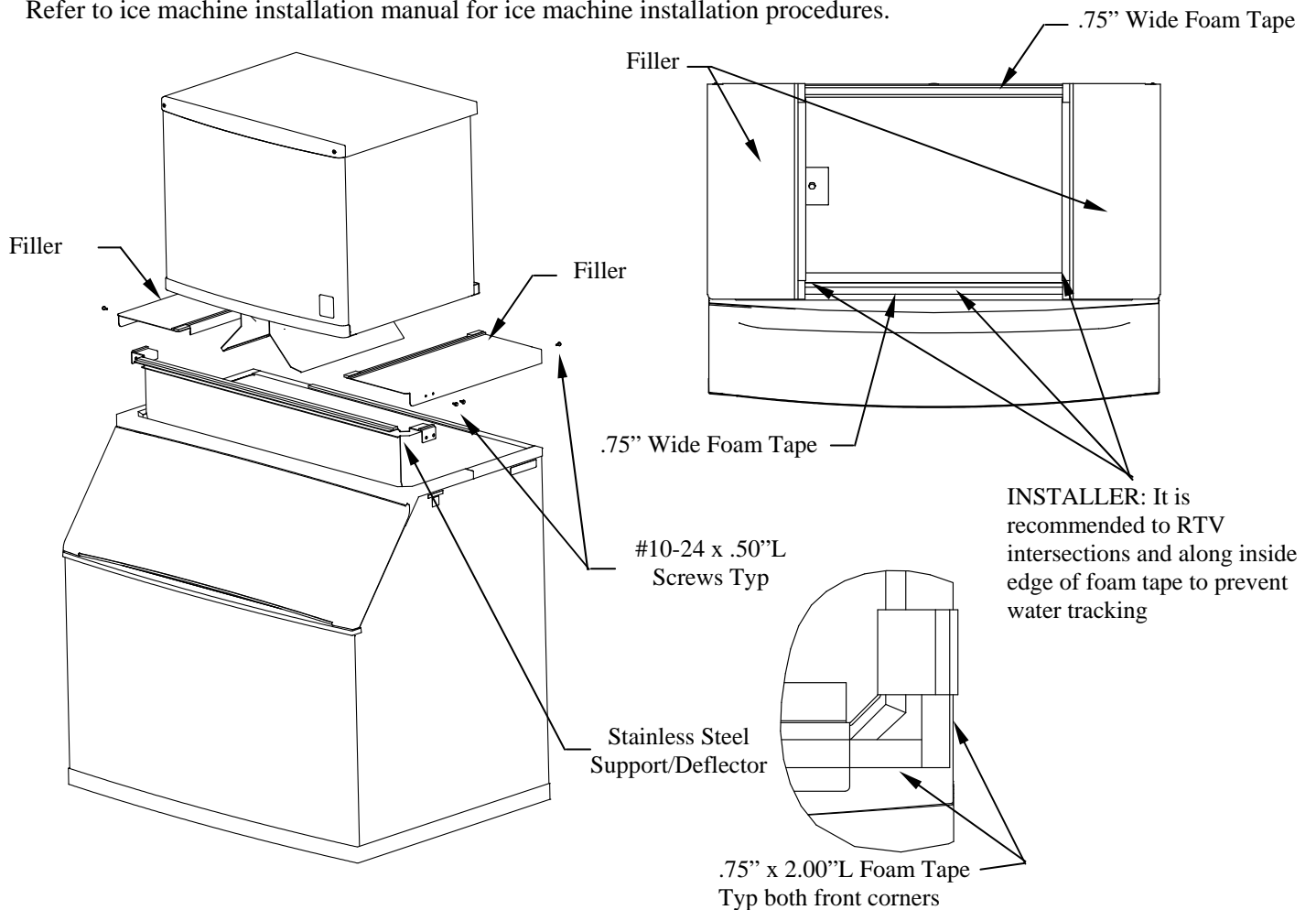


Manitowoc

K00385 ADAPTER KIT Installation Instructions

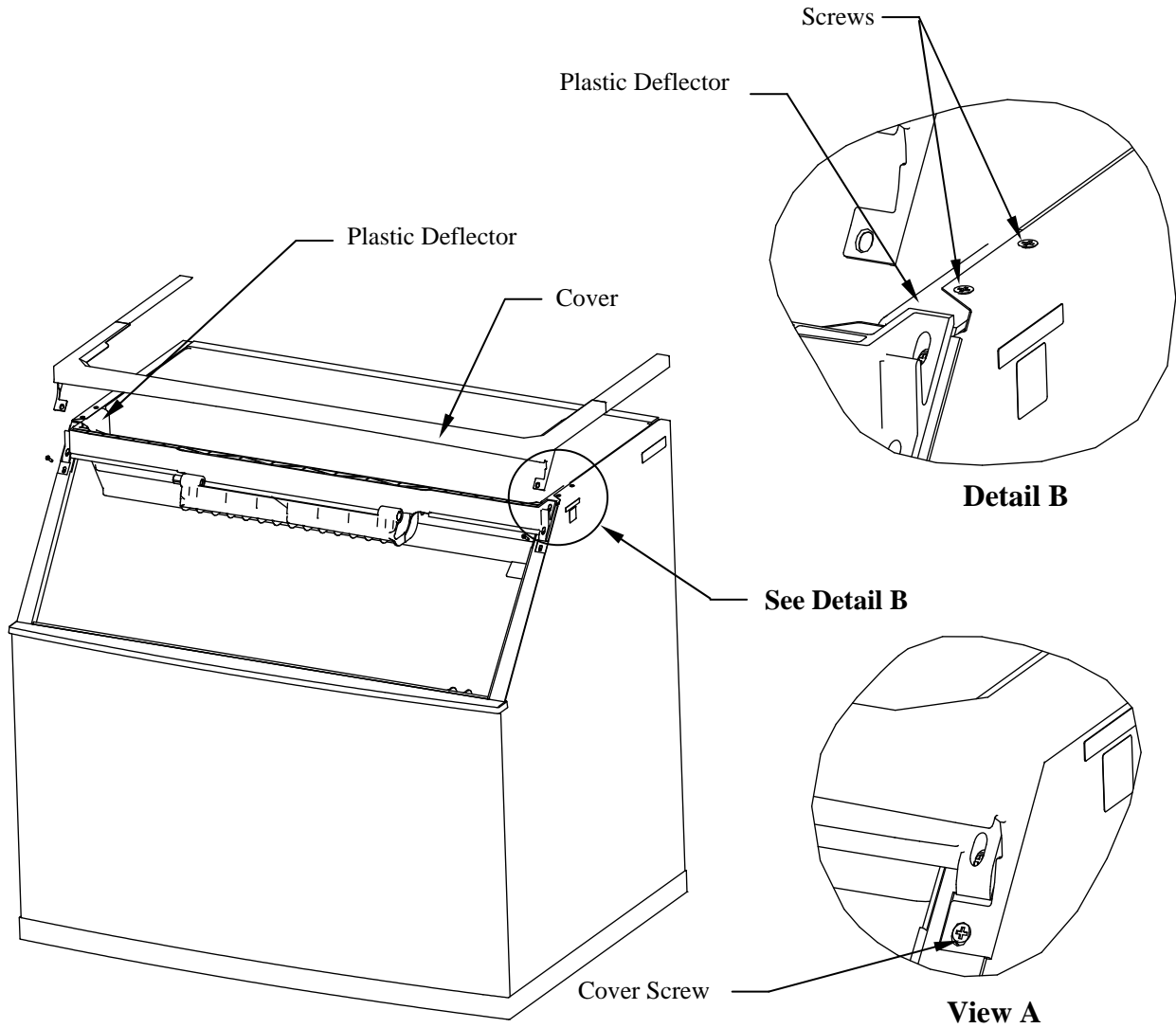
The K00385 kit is used for installing S-1474 or S-1870 ice machines on a B-970 bin.
(Refer to Sheet 2 of 3 for pre-installation instructions.)

1. Note: Bin must be level before installation of ice machine.
 - A. Remove the foam tape from the front and sides of the bin where the stainless support/deflector will be located. Use the support to reference the areas where the tape should be removed.
 - B. Place the support on the front edge of the bin and position as far forward as possible.
 - C. Locate the four pieces of the 2" long, 3/4" wide foam tape in the front corners, as shown.
 - D. Place the fillers on the bin, as shown. Make sure the two holes from the stainless support/deflector and fillers are aligned on the side.
 - E. Using the fillers as templates, drill three 5/32" (4 mm.) holes, .500" (12.7 mm.) deep maximum, in the bin.
Warning: Do not drill through the interior liner. Attach each filler with three 10-24 x .500" screws provided.
 - F. Apply foam tape to the front and back of the bin between the fillers. Note: All other required foam tape comes preassembled with the stainless support/deflector and fillers.
 - G. Note: It is recommended to RTV intersections and along the inside edge of the foam tape to prevent water tracking.
2. Refer to ice machine installation manual for ice machine installation procedures.



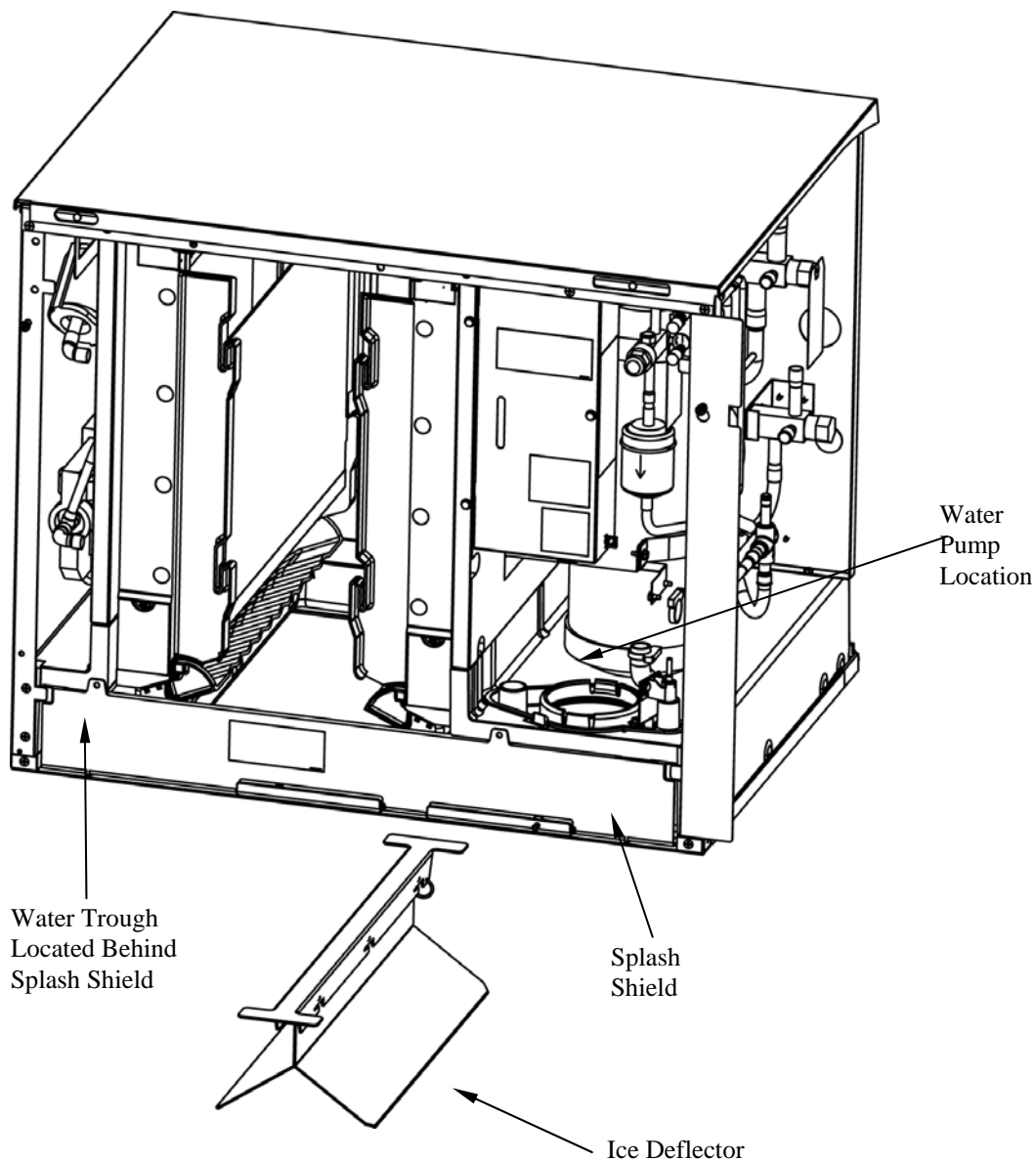
Pre-installation Instructions for Removal of Existing Plastic Deflector

1. Remove the left and right side cover screws (see View A).
2. Remove the cover to expose the four screws that secure the plastic deflector (see Detail B).
3. Take out the four screws. Remove the plastic deflector, replace with a polymer spacer on each side and secure with the four screws.
4. Reinstall the cover and proceed with the installation instructions.



Installing Ice deflector

1. Locate correct position for the deflector.
 - If the ice machine is installed, remove the water trough to obtain easier access.
 - The deflector must be located in the center of the drop zone.
 - Location is 11" from the left edge of the ice machine to the left edge of the mounting bracket.
2. Cut and remove the foam tape on the front and back of the bin where the deflector will be located.
3. Remove any residual adhesive; areas must be clean and dry.
4. Remove protective covering from the two sided tape on each deflector bracket.
5. Install the deflector bracket.
 - Distribute the mounting bracket equally on the front and back of the bin.
 - Locate the retaining pin to the back.
 - Press the mounting bracket into place.
6. Trim supplied foam tape to length of cuts from step 2 and apply over the top of the bracket. Seal edges where deflector mounting bracket meets foam tape with silicone sealant to prevent water leakage.
7. Install the deflector into the mounting bracket.
 - Align tabs and slide the deflector toward the front of the bin.
 - Insert retaining pin into hole in the mounting bracket to lock deflector in place.
 - Reinstall water trough if removed in step 1.



Free Manuals Download Website

<http://myh66.com>

<http://usermanuals.us>

<http://www.somanuals.com>

<http://www.4manuals.cc>

<http://www.manual-lib.com>

<http://www.404manual.com>

<http://www.luxmanual.com>

<http://aubethermostatmanual.com>

Golf course search by state

<http://golfingnear.com>

Email search by domain

<http://emailbydomain.com>

Auto manuals search

<http://auto.somanuals.com>

TV manuals search

<http://tv.somanuals.com>