



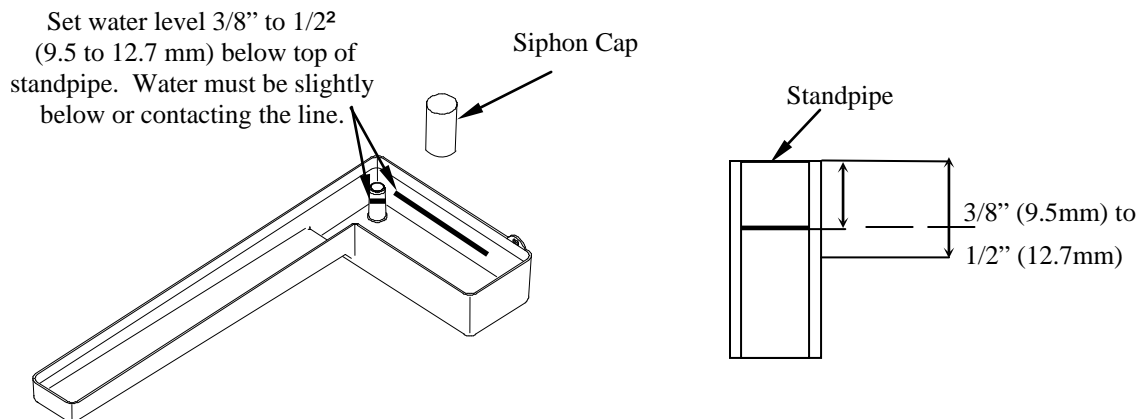
# IMPORTANT

## WATER LEVEL CHECK INSTALLATION NOTICE

### Q-0130, Q-0210, Q-0270, QM-45, QM-100

#### Water Level Check

The water float valve setting may change during shipping. Verify the water level is correct at initial startup. Check the water level while the ice machine is in the freeze cycle and the water pump is running. The correct water level is  $3/8''$  (9.5mm) to  $1/2''$  (12.7mm) below the top of the standpipe. A black line is present to indicate the correct level. The water level is set correctly when water is slightly below or contacts the black line during the freeze cycle. Use the following procedure to check the water level:



#### Correct Water Level

1. Verify the ice machine is level.
2. Remove the siphon cap from the standpipe.
3. Place the main ON/OFF/WASH toggle switch to the ON position and wait until the float valve stops adding water.
4. Observe the water level:
  - If the water level is correct, continue with step 5.
  - If the water level is incorrect, bend the float stem until the water level contacts or is slightly below the black line ( $3/8''$  to  $1/2''$  [9.5mm to 12.7mm] below the standpipe).
5. Move the main ON/OFF/WASH toggle switch to the OFF position. The water level in the trough will rise above the standpipe and run down the drain.
6. Replace the siphon cap on the standpipe and verify the water level and siphon action by repeating steps 3 through 5.

Manitowoc Ice, Inc.

2110 South 26<sup>th</sup> Street, P.O. Box 1720, Manitowoc, WI 54221-1720 USA

Telephone 920-682-0161, Fax - Sales: 920-683-7589, Service/Parts: 920-683-7585, Other: 920-683-7879

Web Site - [www.manitowocice.com](http://www.manitowocice.com)

8016123

07/19/04

## Free Manuals Download Website

<http://myh66.com>

<http://usermanuals.us>

<http://www.somanuals.com>

<http://www.4manuals.cc>

<http://www.manual-lib.com>

<http://www.404manual.com>

<http://www.luxmanual.com>

<http://aubethermostatmanual.com>

Golf course search by state

<http://golfingnear.com>

Email search by domain

<http://emailbydomain.com>

Auto manuals search

<http://auto.somanuals.com>

TV manuals search

<http://tv.somanuals.com>